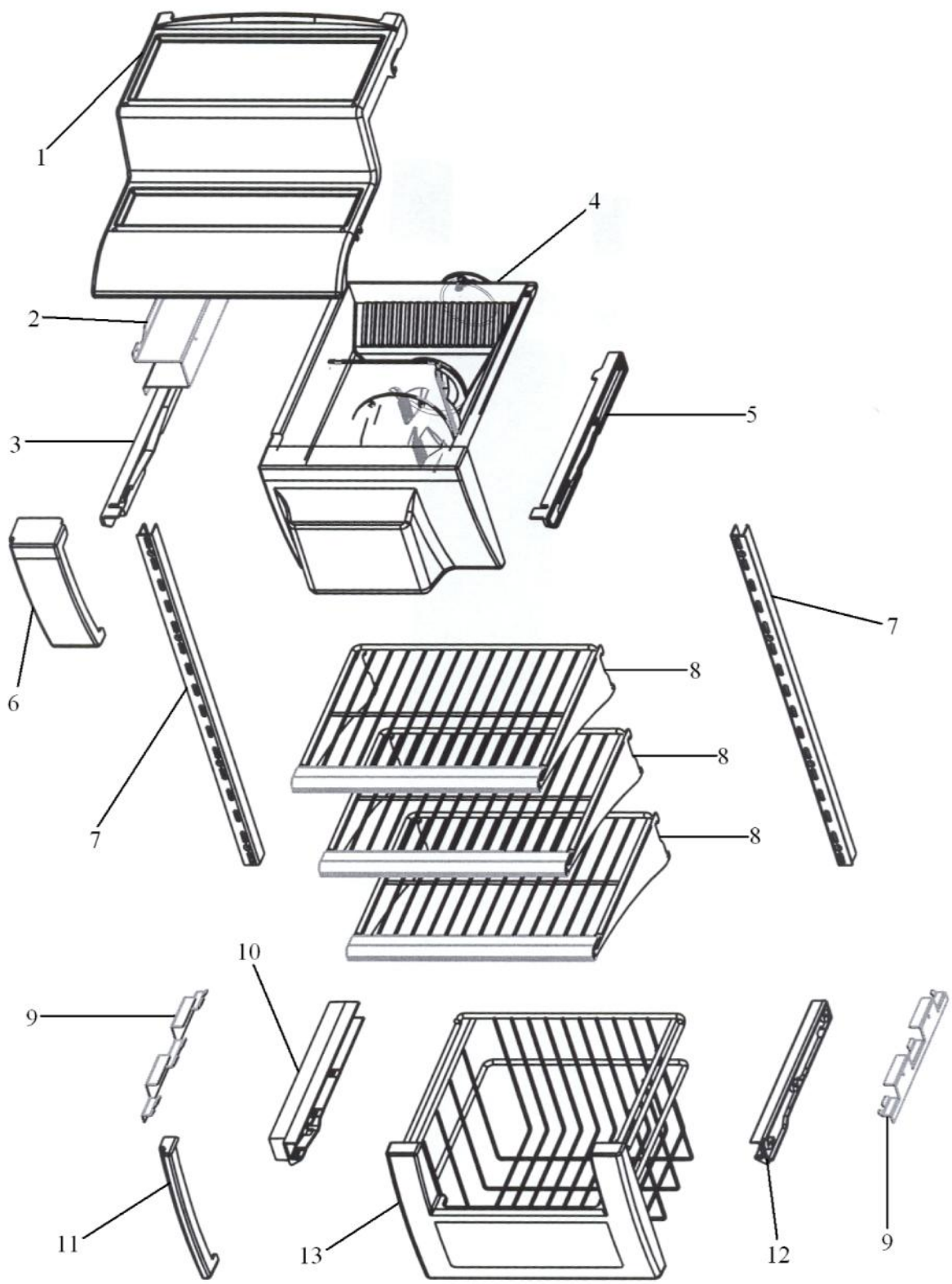
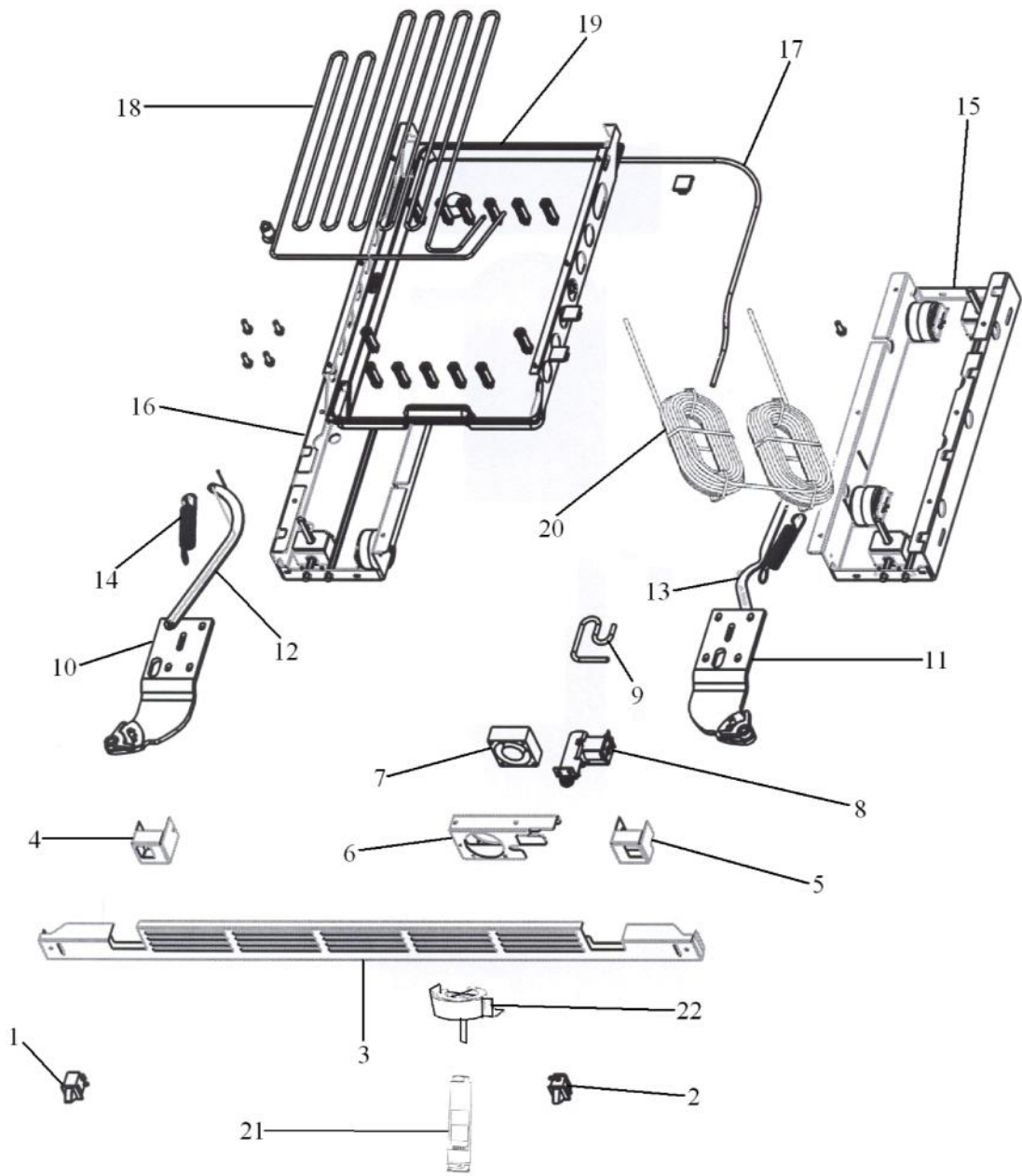


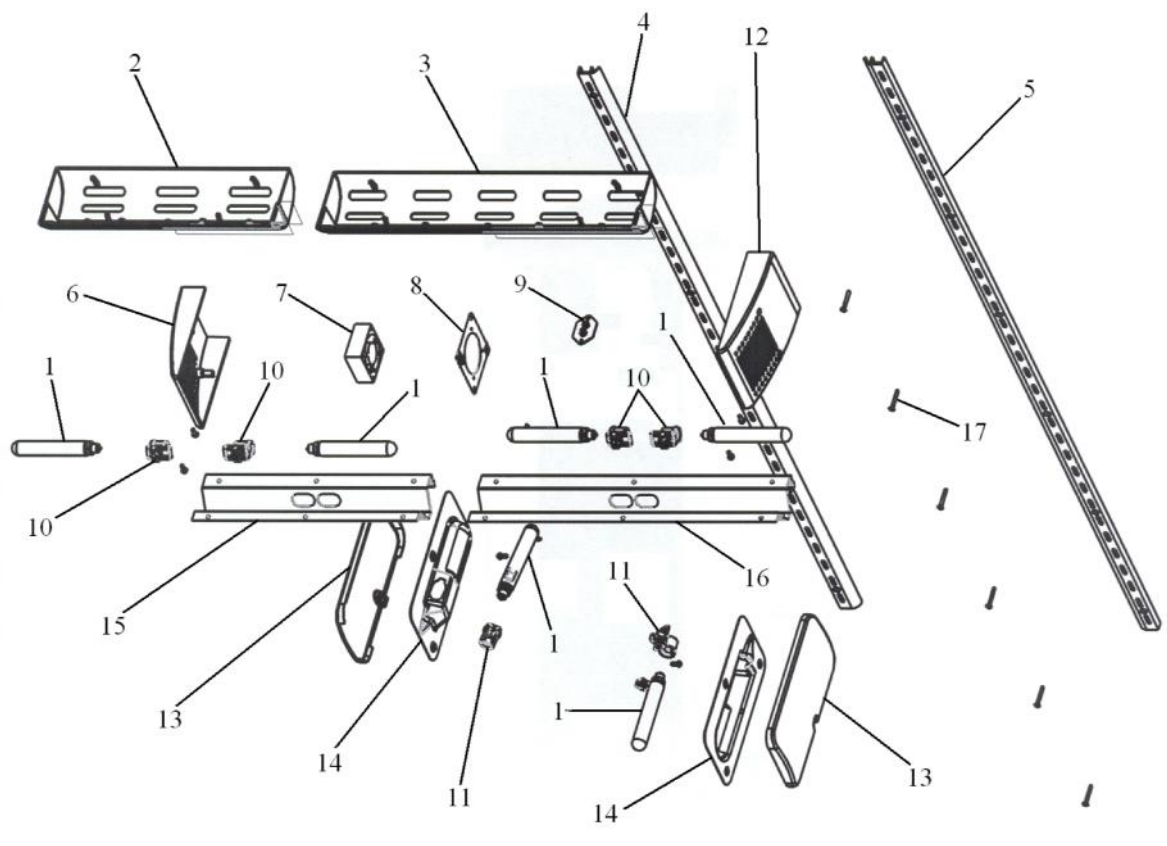
Ref #	Part Number	Qty.	Description
1	PM910236		GLASS SHELF
2	G5099426		SHELF & SLIDE ASM SXS 42
3	G32910068		DRAWER DELI & RAIL ASM SXS 42
4	G32910069		PRODUCE DRAWER & RAIL ASM SXS 42
5	PK930171		DUCT MEAT SAVOR SXS 42 REAR
6	PM910288		SLIDE MEAT SAVOR L
7	PK930176		SUPPORT DRAWER MEAT SAVOR 42/48 L
8	PK930170		DUCT MEAT SAVOR SXS 42 L
9	PK930174		SUPPORT SLIDE MEAT SAVOR SXS 42/48 L
10	PK930173		SUPPORT SLIDE MEAT SAVOR SXS 42/48 R
11	PM910334		ROLLER TENSION
12	PK930172		COVER CONTROL MEAT SAVOR
13	PK930168		DIAL CONTROL MEAT SAVOR
14	PK930169		DUCT MEAT SAVOR SXS 42/48 R
15	PK930175		SUPPORT DRAWER MEAT SAVOR SXS 42/48 R
16	PM910287		SLIDE MEAT SAVOR R
17	G50910716		FALSE FRONT ASM, SXS 42 DISP
18	PK930119		DELI LID
19	PK930114		DRAWER MEAT SAVOR SXS 42
20	PK930120		SHELF MEAT SAVOR SXS 42
NI	PM910332		ACCESSORY ASSY



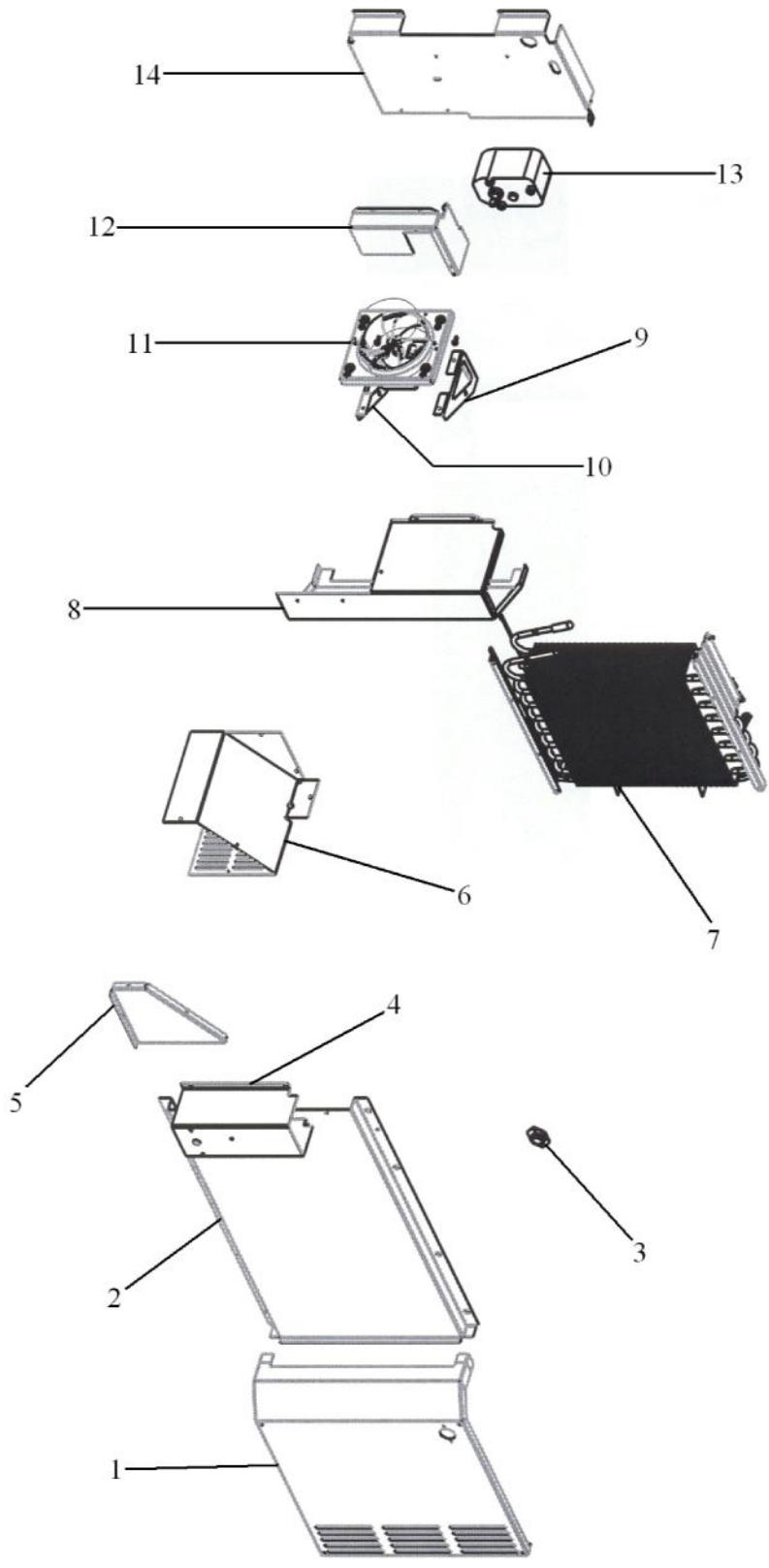
Ref #	Part Number	Qty.	Description
1	PK930264		SHELF COVER
2	C20910027		SUPPORT, LS ICE BUCKET
3	PK930266		GLIDE L FZ
4	PM910331		ICE BUCKET ASSY
NI	G50911858		ICE MAKER ASM, SXS ND, AF
5	PK930265		GLIDE R FZ
6	PK930096		CLOSEOUT - ICE DISPENSER
7	PM910375		LADDER R/L FZ
8	PM910189		SHELF WIRE FZ
9	C20910067		BRACKET SHELF FZ
10	PK930075		GLIDE SXS 48 FZ L
11	PK930107		FZ BASKET SIDE SPACER FRONT
12	PK930074		GLIDE SXS 48 FZ R
13	PM910190		BASKET ASM FZ



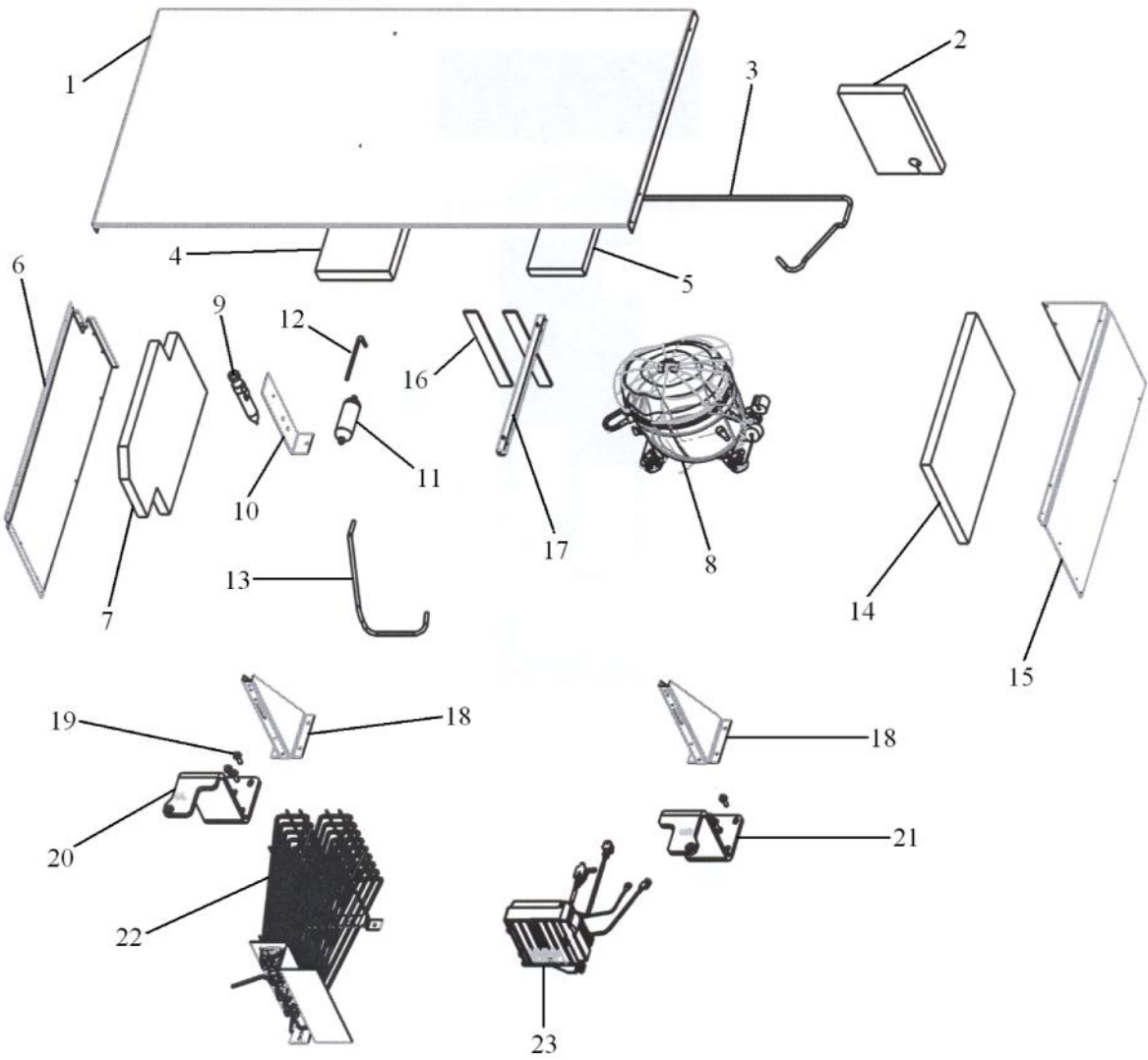
Ref #	Part Number	Qty.	Description
1	PE950146		SWITCH SPDT BLACK
2	PE950147		SWITCH SPST NC BLACK
3	G5097788		GRILLE TOE ASM COMPLETE 42
4	C2098045		LIGHT SWITCH BRACKET - REF. DOOR
5	C2098046		BASE GRILLE - SWITCH MNT RH
6	K2099464		BRACKET FAN & VALVE
7	12075003		MOTOR-REF FAN
8	PA070014		VALVE WATER DOUBLE COMP. INLET (AFTER 05/25/05)
	G50911843		WATER VALVE/BRACKET SVC KIT (BEFORE 05/25/05)
9	PB920202		TUBE WATER VALVE
10	G3298649		HINGE ASM COMPLETE LL
11	G3298648		HINGE ASM COMPLETE LR
12	PC920149		BAR-WC BOT HINGE LH
13	PC920166		BAR-WC BOT HINGE RH
14	PC910015		SPRING EXTENSION
15	PM910398		LEVELER ASSEMBLY - R
16	PM910399		LEVELER MODULE L
17	B5705313		TUBE-PLASTIC NO.
18	F2099467		SXS SERPENTINE
19	12071301		PAN-DRAIN (NON-ANTIMICROBIAL) (BEFORE 02/07/05)
	PK930348		PAN DRAIN (AFTER 02/07/05)
20	PB920223		SUB TO PB020300 - TANK COILED WATER 42 SXS DISP
21	PM910465		FILTER CARTRIDGE MUST HAVE INSTALLED G50911814 KIT BEFORE PM910465 CAN BE USED ON UNITS MADE BEFORE 7/19/04.
22	PM910248		MANIFOLD --- FILTER



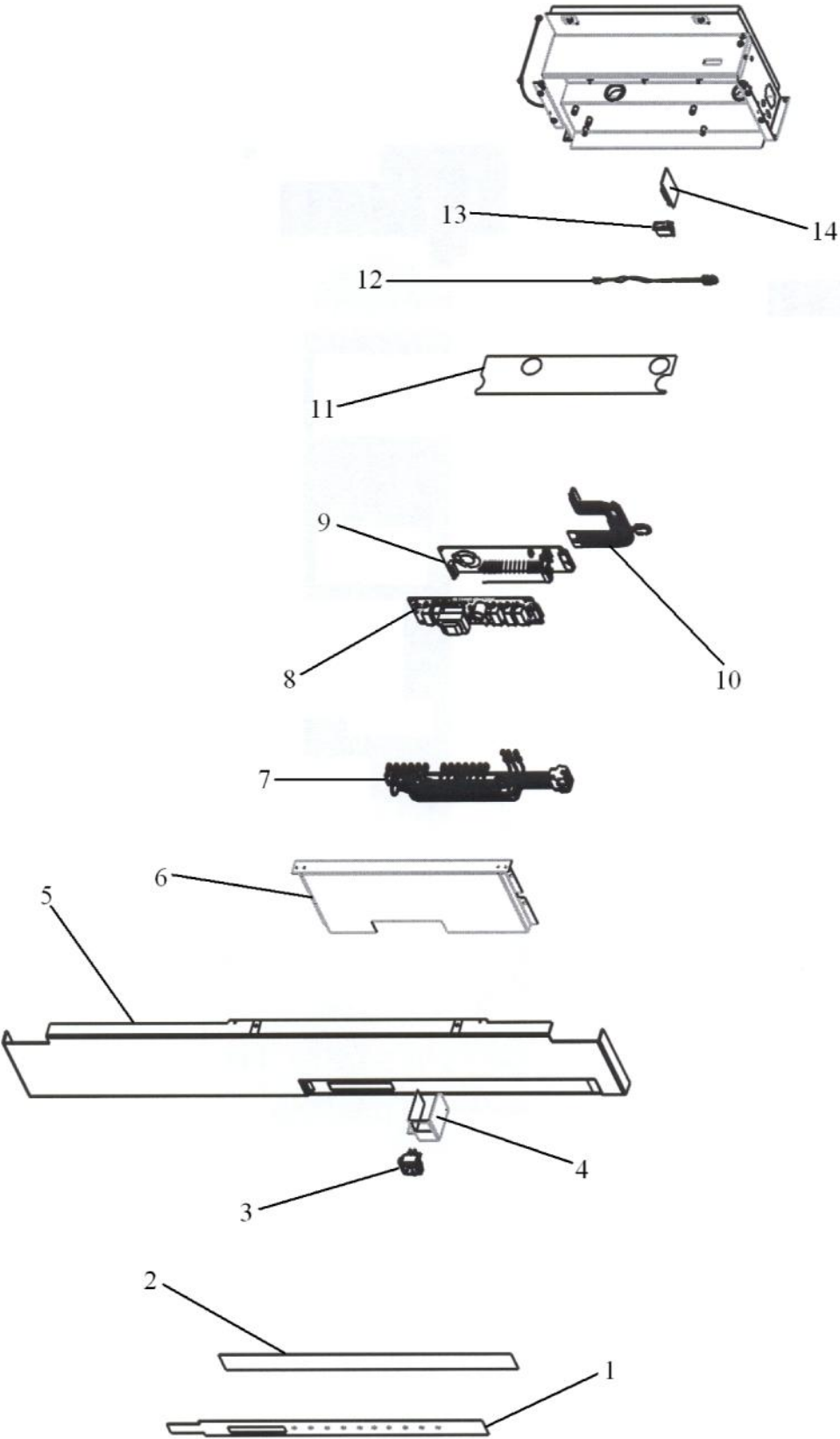
Ref #	Part Number	Qty.	Description
1	A3079001		LAMP - 40W
2	PK930116		COVER LIGHT ASM SXS 42 FZ
3	PK930115		COVER LIGHT ASM SXS 42 FF
4	PM910228		LADDER LS REF
5	PM910227		LADDER RS REF
6	PK930086		COVER FAN SXS 48 FZ
7	12075003		MOTOR-REF FAN
8	K2096475		PLATE-FAN MNT 12404701
9	C8983701		THERMISTOR
10	PE950125		LIGHT SOCKET
11	10281601		SOCKET-SGL LIGHT
12	PK930085		COVER FAN SXS 48 FF
13	10270101		COVER, LIGHT
14	10270203		HOUSING-LIGHT V10270203
15	L2099475		BRACKET LIGHT SXS FZ
16	L2099474		BRACKET LIGHT SXS 42 FF
17	M0238535		SCREW-SM
NI	PK920028		SIDE TRIM - LH



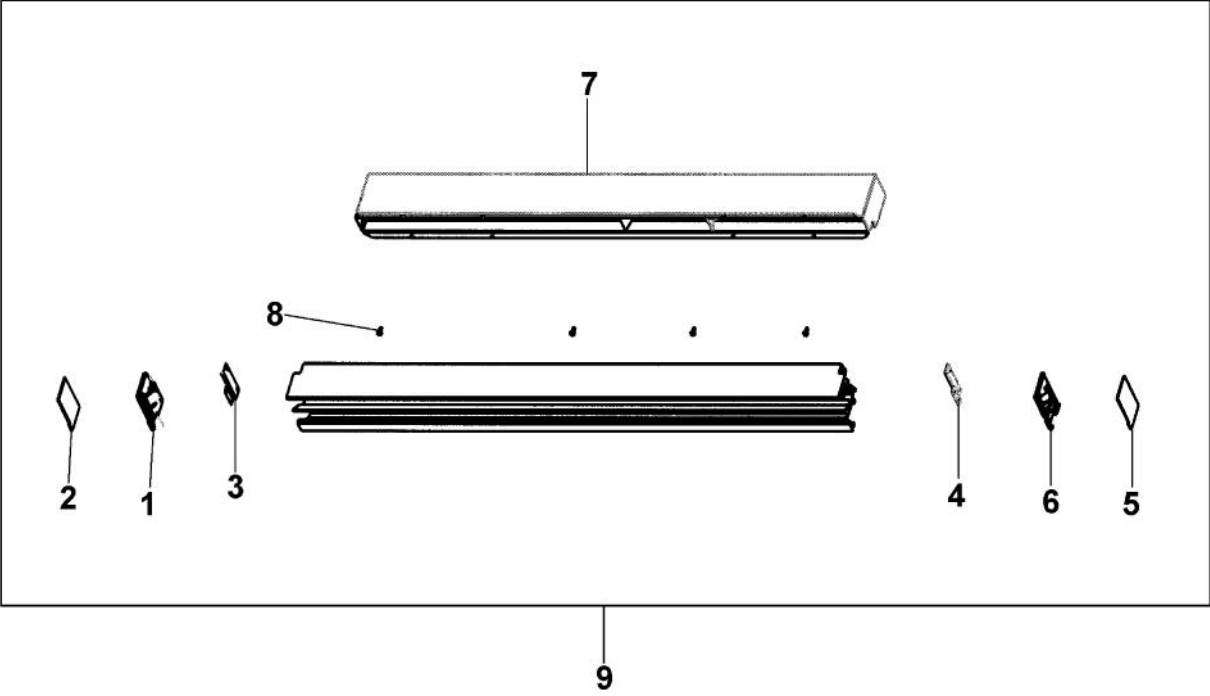
Ref #	Part Number	Qty.	Description
1	L20910054		COVER LOWER EVAP
2	L20910057		COVER CENTER EVAP
3	C8983701		THERMISTOR
4	C20910713		BRACKET, AUGER MOTOR
5	L20910075		COVER EVAP FAN
6	L20910074		TRAN EVAP FAN
7	G5099446		EVAP ASM SXS 42
8	L20910056		COVER EVAP MOTOR
9	K2096457		BRKT-R-EVAP FAN 12223101
10	K2096458		BRKT-L-EVAP-FAN 12223102
11	G5098660		FAN EVAP ASM
12	L2098027		DUCT - EVAP FAN
13	PE950158		MOTOR AUGER
14	C20910058		COVER UPPER EVAP
NI	PB910259		THERMOSTAT DEFROST TERMINATOR



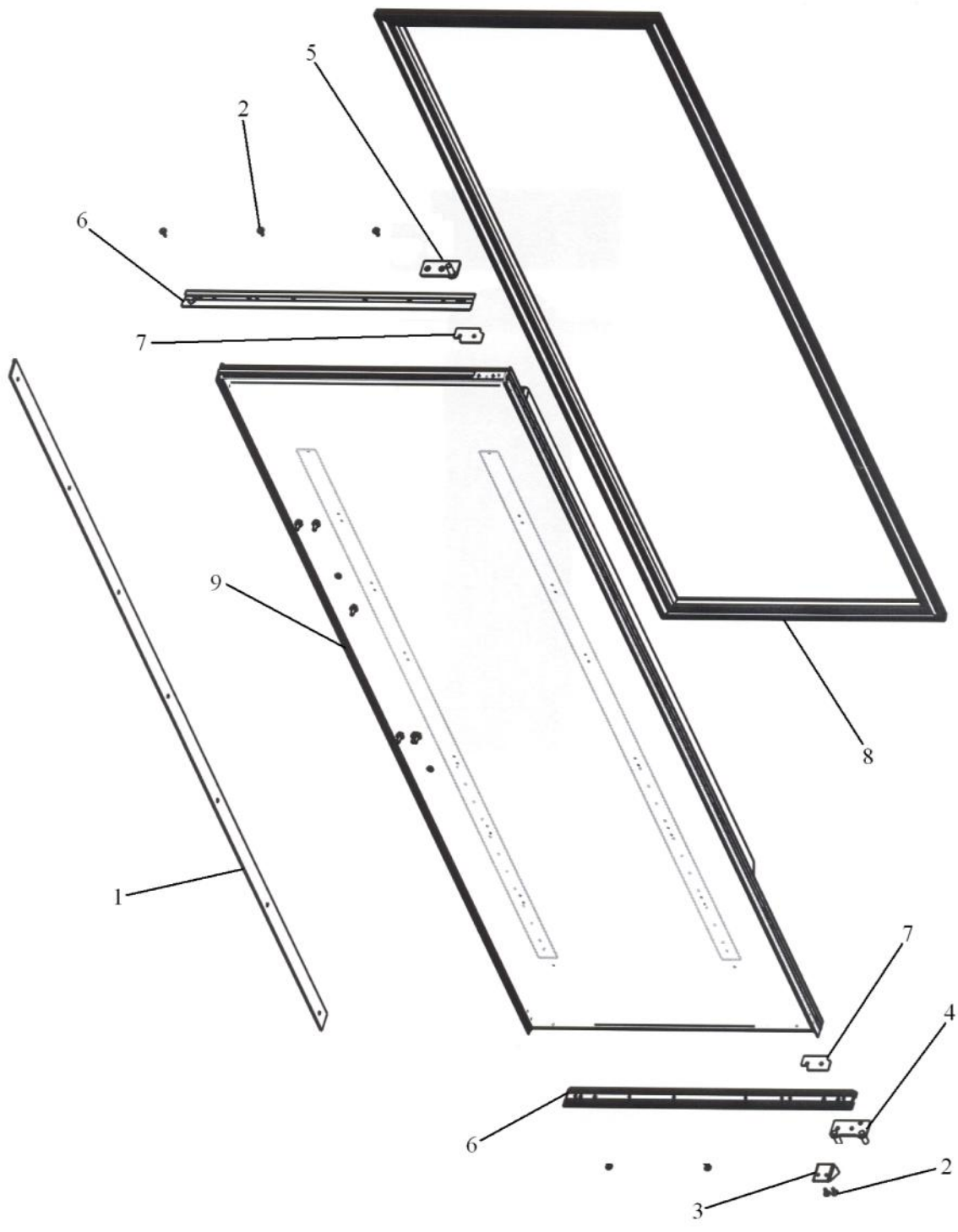
Ref #	Part Number	Qty.	Description
1	K2099458		MC TOP SXS 42
2	PB970171		MC INSULATION - BACK SIDE
3	F2099443		TUBE DISCHARGE FORMED PRE ACCUM
4	12074704		INSUL-MC CVR
5	12074701		INSUL-MC CVR V12074701
6	K2099460		MC SIDE L
7	12074601		INSUL-L MC CVR V12074601
8	G5097976		COMPRESSOR ASSEMBLY (363 AND 483)
9	10743201		DRIER, HI SIDE
10	K2099454		BRACKET DRIER
11	PB920201		ACCUMULATOR
12	F2096504		TUBE-DRIER EXT
13	F2099444		TUBE DISCHARGE FORMED POST ACCUM
14	12074702		INSUL-R MC CVR V12074702
15	K2099459		MC SIDE R
16	A3189370		GASKET-FOAM VA3189370
17	K2099455		SUPPORT MC Z
18	C2097595		LOUVER SUPPORT BRACKET
19	PD940088		SCREW, 1/4 X 20 HEX WASHER SERRATED
20	PC920204		HINGE ASM UL
21	PC920203		HINGE ASM UR
22	PB920171		CONDENSER ASM
23	G5098300		INVERTER ASSEMBLY



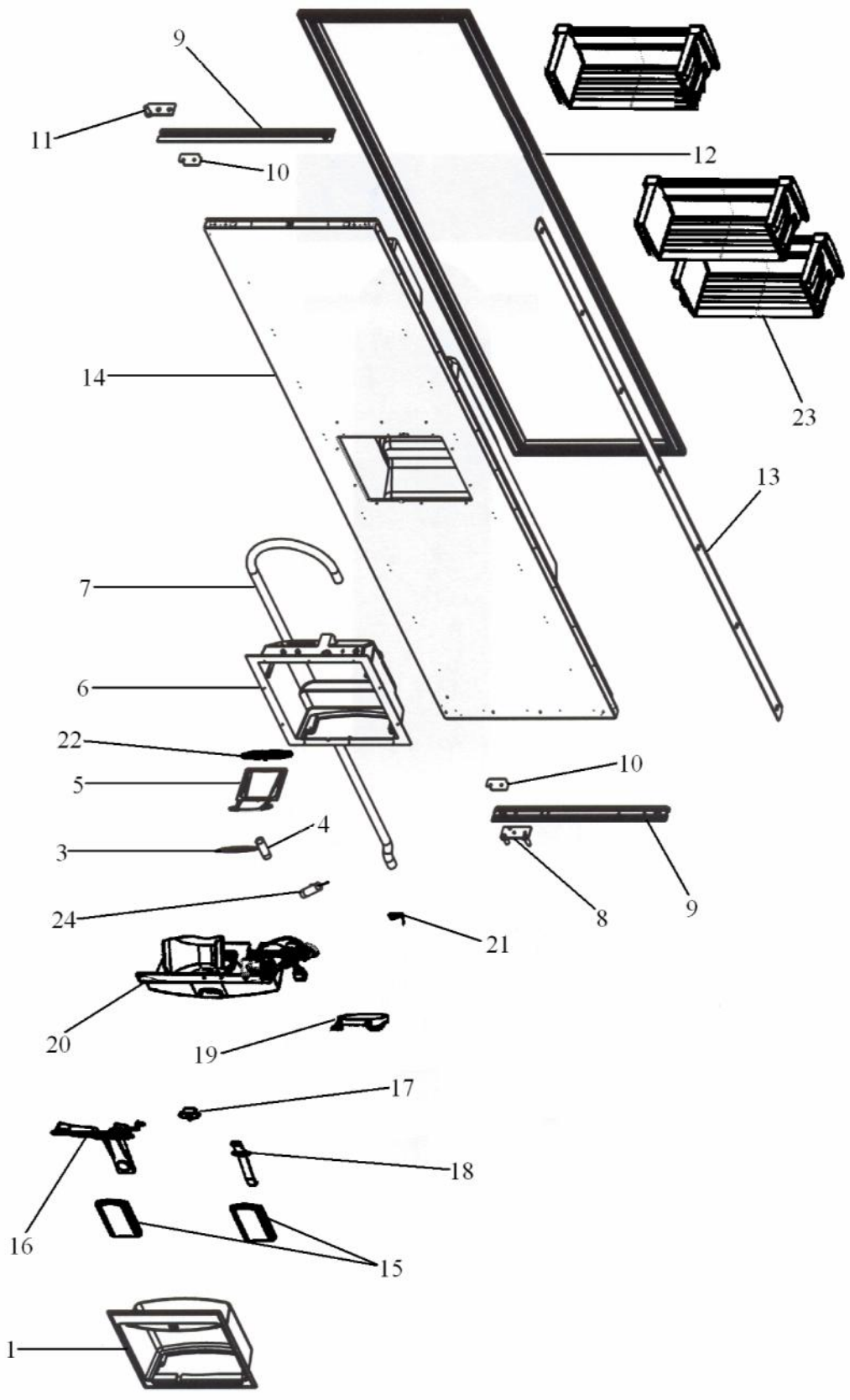
Ref #	Part Number	Qty.	Description
1	PE950135		SWITCH, KEYBOARD
2	PE980003		OVERLAY KEYBOARD SXS 42
3	PE950149		SWITCH POWER
4	K2098654		BRACKET SWITCH POWER
5	PK930230		CONTROL PANEL SXS 42
6	K20910061		CONTROL BOX FRONT
7	PE970465		HARNESS HIGH VOLT
8	PE970463		POWER CONTROL BOARD
9	PE970462		LOW VOLT BOARD
10	PE970464		HARNESS LOW VOLT
11	PM910325		FILM PROTECTIVE
12	PE970331		HARNESS ADAPTER BOARD
13	PE950150		SPDT ROCKER SW. W/LEGEND
14	PE970330		ADAPTER BOARD



Ref #	Part Number	Qty.	Description
1	PM910349		END CAP GRILLE L
2	PM910071		COVER - END CAP 12119801
3	C9099471BK		BRACKET GRILLE SUPPORT DES L
4	C9099470BK		BRACKET GRILLE SUPPORT DES R
5	PM910072		COVER - END CAP 12119802
6	PM910348		ENP CAP GRILLE R
7	G9097768BK		AIR DUCT WELD ASM COMPLETE
8	M0238616		SCREW-SM
9	G3298674		GRILLE ASM SXS 42 FOL



Ref #	Part Number	Qty.	Description
1	PM910102		SIDE TRIM
2	M0210458		SCREW-SM
3	PD950007		STRIKER SWITCH
4	PC920205		PIVOT PL ASM RH LW FOL
5	PC920207		PIVOT PL ASM RH UP FOL
6	PM910310		FRAME - TOP / BOTTOM
7	PD940092		SPACER - DOOR HINGE
8	PB070293		DOOR GASKET, 42 SXS FF SIDE CHARGE
9	G5098625		DOOR ASM SXS 42 FF
NI	PM910097		INSERT SXS FF/FZ SIDE 12063706
NI	PM910312		INSERT FRAME DOOR BTM SXS 42 FF FO
NI	PM910344		INSERT FRAME DOOR TOP SXS 42 FF FO
NI	K2096650		BRKT-DEC PANEL
NI	K2096648		BRKT-DEC PANEL



Ref #	Part Number	Qty.	Description
1	PB910273		BEZEL, ICE / WATER DISPENSER
2	PB980023		SPILL TRAY - I/W DISPENSER
3	12302201		ICE DEFLECTOR
4	PK930274		TUBE CONNECTOR
5	12348201		CHUTE-ICE NO.
6	PK930403		CAVITY DISPENSER
7	PK930292		CHASE CABLE/WATERLINE 42 SXS DISP
8	PC920147		PIVOT PLATE ASSY - WC LH BOT
9	PM910311		FRAME - TOP / BOTTOM
10	PD940092		SPACER - DOOR HINGE
11	PC920132		PIVOT PLATE ASSY - LH
12	PB070292		DOOR GASKET, 42 SXS FZ DISP SIDE CHARGE
13	PE940176		TRIM - DOOR SXS PRO SIDES
14	G50910709		DOOR FOAM ASM SXS 42 FZ DISP
15	12221005		PAD ACTUATOR
16	PK930259		ARM, ICE ACTUATOR
17	PE950152		SWITCH SLIDE
18	12220301		ARM-WATER DISP NO.
19	12220502		DISPENSER DOOR
20	PM910478		CAVITY COVER ASSEMBLY - BK (BEFORE 4/15/05)
			INCLUDES SWITCHES
	PM910481		CAVITY COVER ASM FOR WHITE BEZEL
			INCLUDES SWITCHES
	PM910516		CAVITY COVER ASSEMBLY
			INCLUDES SWITCHES
	PM910517		COVER CAVITY ASM WHITE BEZEL
			INCLUDES SWITCHES
21	12194803		SPRING, DISPENSER DOOR
22	12193801		GASKET - ICE DR
23	G5098676		DOORBIN ASM SXS 42 & 48 FZ
24	C8973603		DELAY-DOOR NO.
NI	PE970592		HARNESS MAIN
	PE970592		HARNESS MAIN
NI	G50911859		DISPENSER WATER LINE SLEEVE SERVICE KIT
NI	PB910274		INSERT FACADE
	PB910281		INSERT FACADE SXS DISPENSER
NI	PE970590		HARNESS JUMPER LOWER
NI	PE970591		HARNESS JUMPER UPPER
NI	PM910097		INSERT SXS FF/FZ SIDE 12063706
NI	PM910313		INSERT FRAME DOOR BTM SXS 42 FZ FO
NI	PM910345		INSERT FRAME DOOR TOP SXS 42 FZ FO
NI	K2096650		BRKT-DEC PANEL
NI	K2096651		BRKT-DEC PANEL