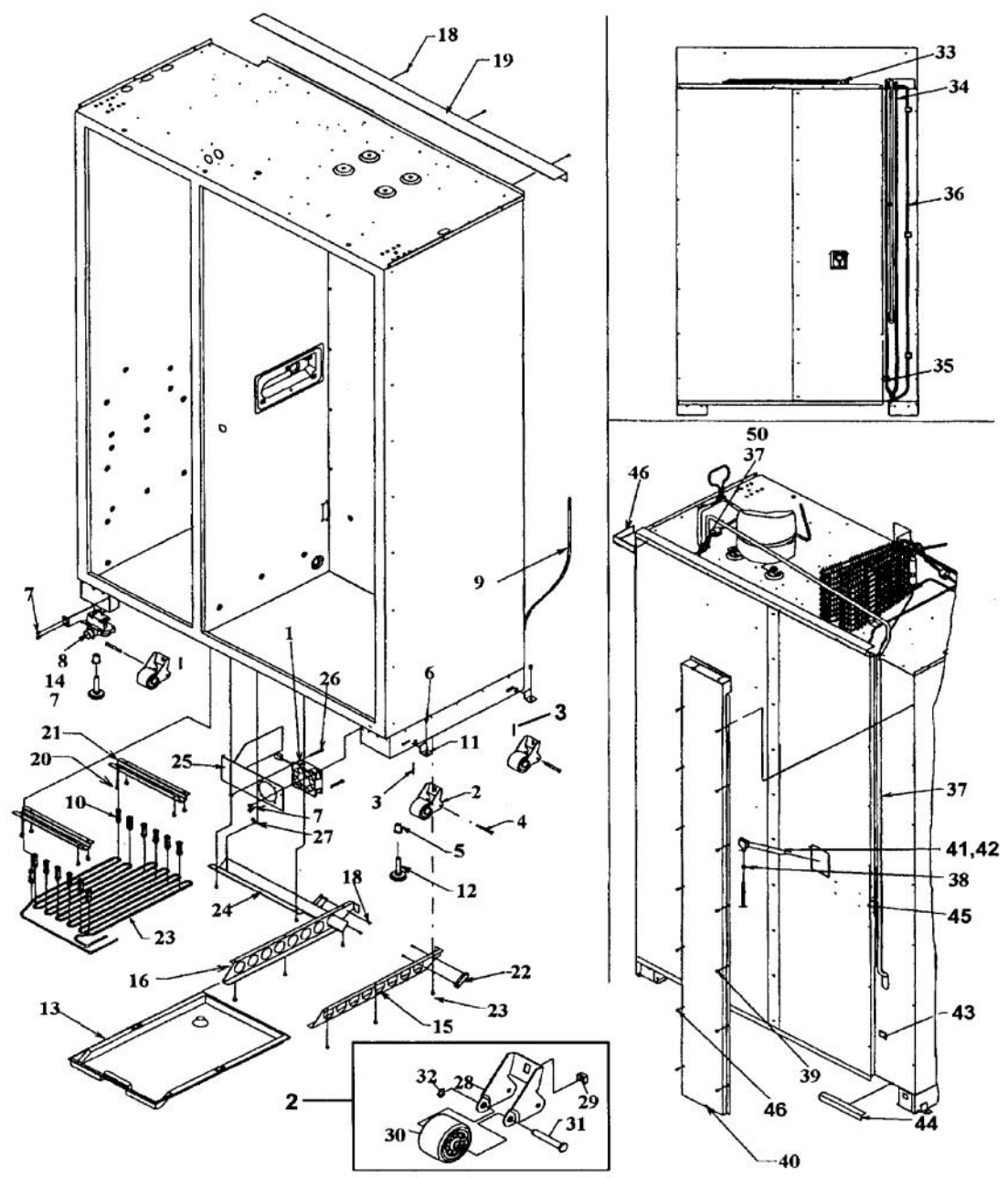
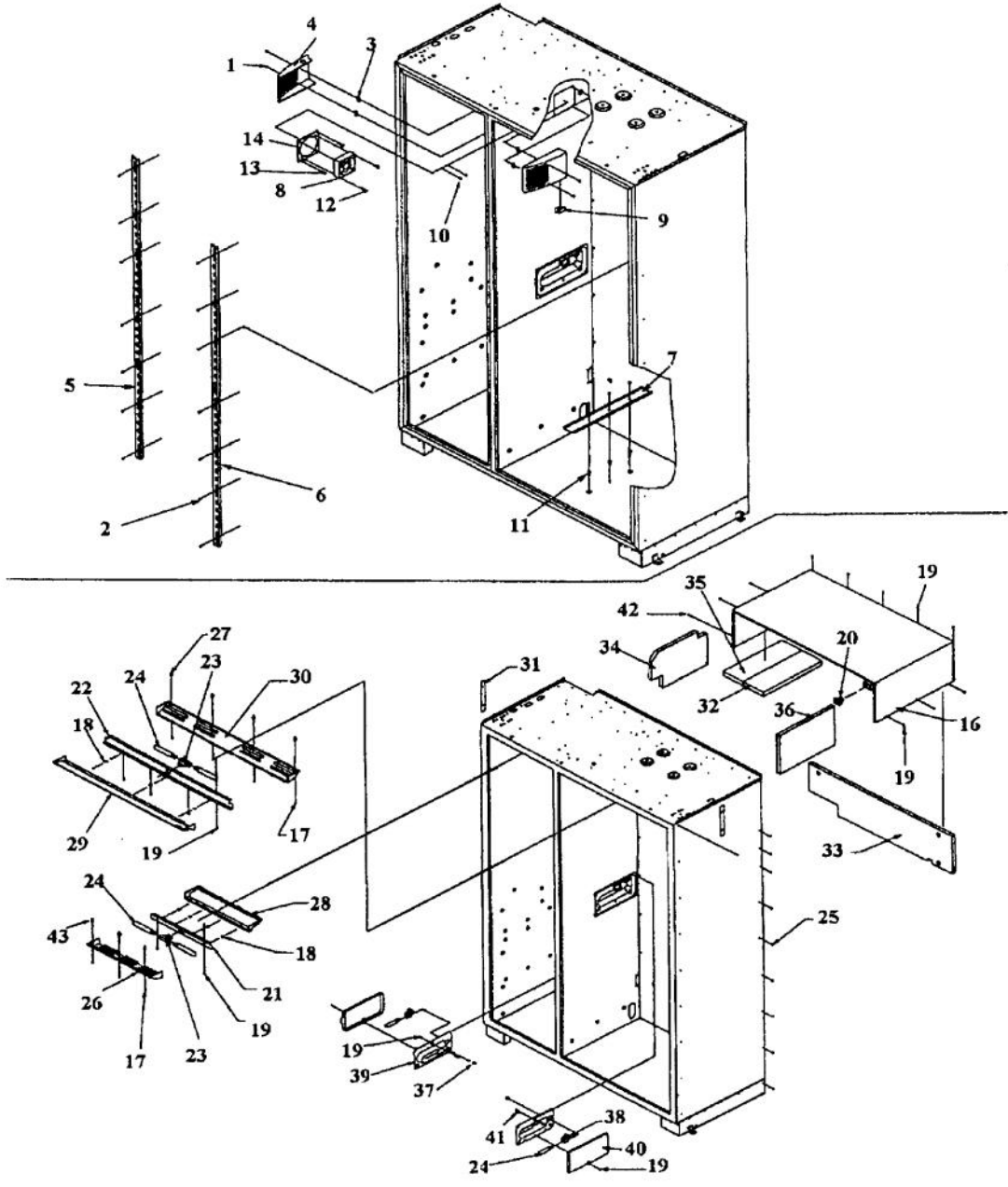


Ref #	Part Number	Qty.	Description
1	G50911855		ICE MAKER ASM, DISP
2	M0238616		SCREW-SM
3	K2096449		SHIM-LOWER HINGE 12198501
4	K2096450		SHIM-LOWER HINGE 12198502
5	PC920070		CLOSURE, DOOR
6	PC920032		LOWER HINGE ASSY, RH, DFSB
7	PC920033		LOWER HINGE ASSY, LH, DFSB
8	PK900026		PLATE-BOTTOM HINGE SUPPORT SXS
9	M0272803		WASHER-LOCK
10	M0321202		TIE-ELEC
11	M0204339		SCREW-ADJ ROLLER VM0204339
12	10093305		SCREW-ADJ ROLLER V10093305
13	M0202528		SCREW-MACH NO.
14	A3127415		EXT-FILL TUBE
15	C9096463WH		ND IM SUPPORT -
16	K2096464		BKT-ND IM 12265501
17	M0238734		SCREW-TF
18	M0220928		SCREW, SHOULDER
NI	10526701		CLAMP-WIRE V10526701
NI	G50910009		GRILLE TOE ASM COMPLETE 48 DISP
NI	M0270510		WASHER
19	PM910332		ACCESORY ASSY
NI	PC920043		PIVOT PL ASSY, RH LW DFBB
NI	PC920045		PIVOT PL ASSY, LH LW
NI	K1096533		SHIM-HINGE HALF
NI	12135402		SHIM-CAB TRIM
NI	PM910465		FILTER CARTRIDGE MUST HAVE INSTALLED G50911813 KIT BEFORE PM910465 CAN BE USED ON UNITS MADE BEFORE 7/19/04.
NI	G50914139	1	FILTER MANIFOLD COMPLETE ASM
NI	PB020290	1	COILED TUBE 48D

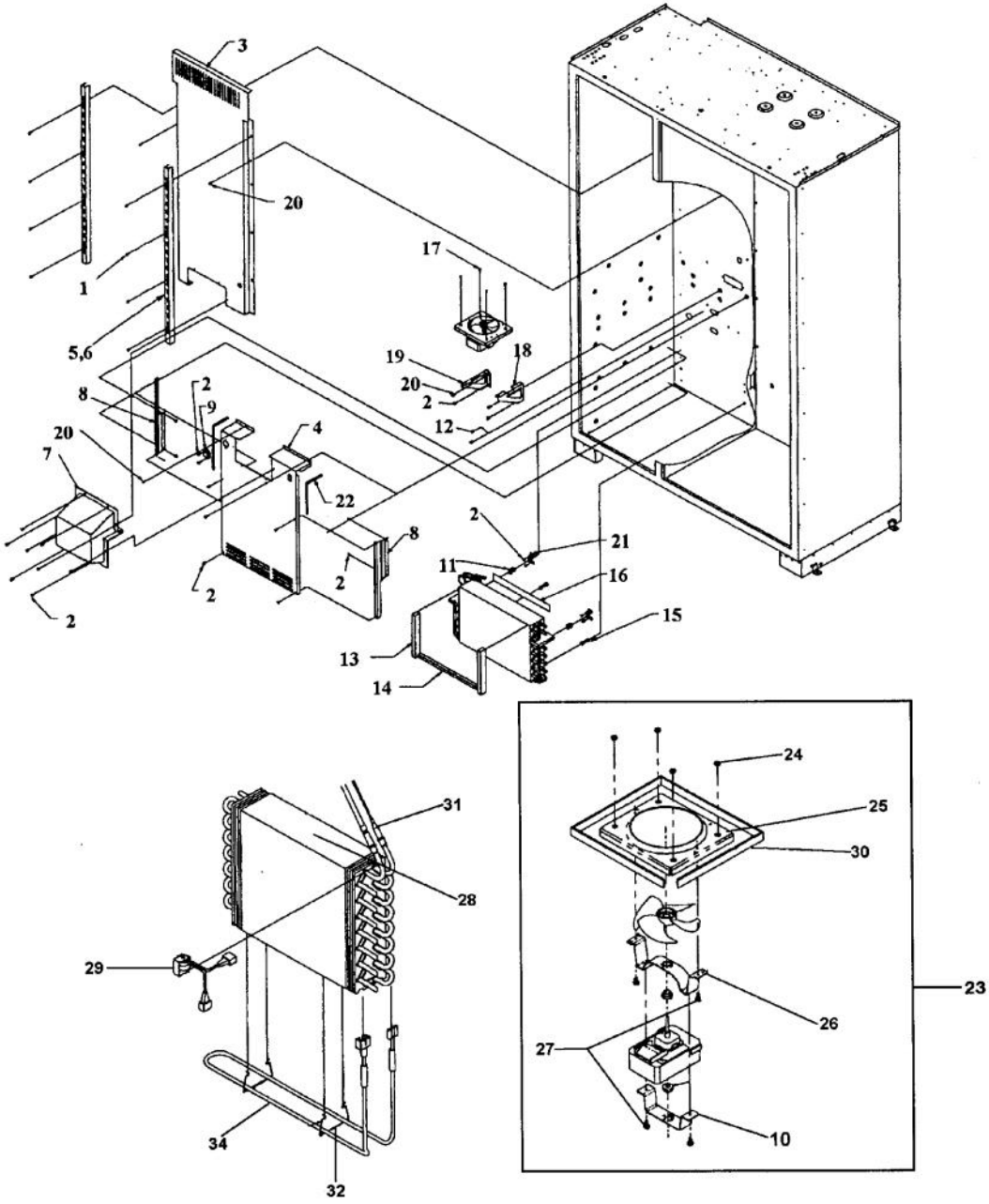


Ref #	Part Number	Qty.	Description
1	12075003		MOTOR-REF FAN
2	G5096490		SUB TO G5096596 (ITEMS 28 - 32)
3	M1200004		PIN-COTTER
4	M1200203		PIN-CLEVIS
5	M0295308		NUT-RIVET VM0295308
6	M0267153		SCREW-MACH VM0267153
7	M0220417		SCREW-TC
8	PA070014		VALVE WATER DOUBLE COMP. INLET
	G50911843		WATER VALVE/BRACKET SVC KIT
9	B5705313		TUBE-PLASTIC NO.
10	12071201		CLIP-DRAIN LOOP
11	K2096427		BRKT-SHIPPING 12071102
12	12150601		FOOT-LEVELING V12150601
13	12071301		PAN-DRAIN (NON-ANTIMICROBIAL) (BEFORE 02/07/05)
	PK930348		PAN DRAIN (AFTER 02/07/05)
14	M0753001		NUT-SLEEVE
15	K2096459		RAIL-PAN 12234701
16	K2096460		RAIL-PAN 12234702
17	A1055101		SPRING-ANTI KINK
18	A4539601		SUB TO PC040010 - RIVET-POP VA4539601
19	K2096442		SHIELD-POWER CORD 12180503
20	M0224416		SCREW-SM
21	K2096455		BRKT-SERP. CLIP 12215001
22	K2096439		ANGLE-DRAIN PAN 12143801
23	F2099467		SXS SERPENTINE
24	L2096474		TROUGH-DRAIN REP V12349801
25	K2096473		BRKT-DC FAN 12349201
26	M0210417		SCREW, SS SM
27	M0280801		NUT-HEX VM0280801
28	K2196420		BRACKET, ROLLER
29	M0286708		NUT-SPEED
30	12034201		ROLLER-CABINET
31	M1252901		PIN, PIVOT
32	M0273801		RING-RETAINING
33	10916507		TUBE-PROCESS GRN
34	10851312		INSULATION TUBING 70.000
35	M0104106		CLIP-CORD VM0104106
36	12527801		HARNESS-FAN MOTOR
37	M0238616		SCREW-SM
38	12115101		CLAMP-TUBE V12115101
39	M0238616		SCREW-SM
40	K2096444		COVER-HT EXCHANGE 12187701
41	G5096419		FILL TUBE ASSY 10942511
42	PB920220		EXT FILL TUBE
43	M0104106		CLIP-CORD VM0104106
44	A3189370		GASKET-FOAM VA3189370
45	A3189368		GASKET-FOAM VA3189368
46	A4539601		SUB TO PC040010 - RIVET-POP VA4539601

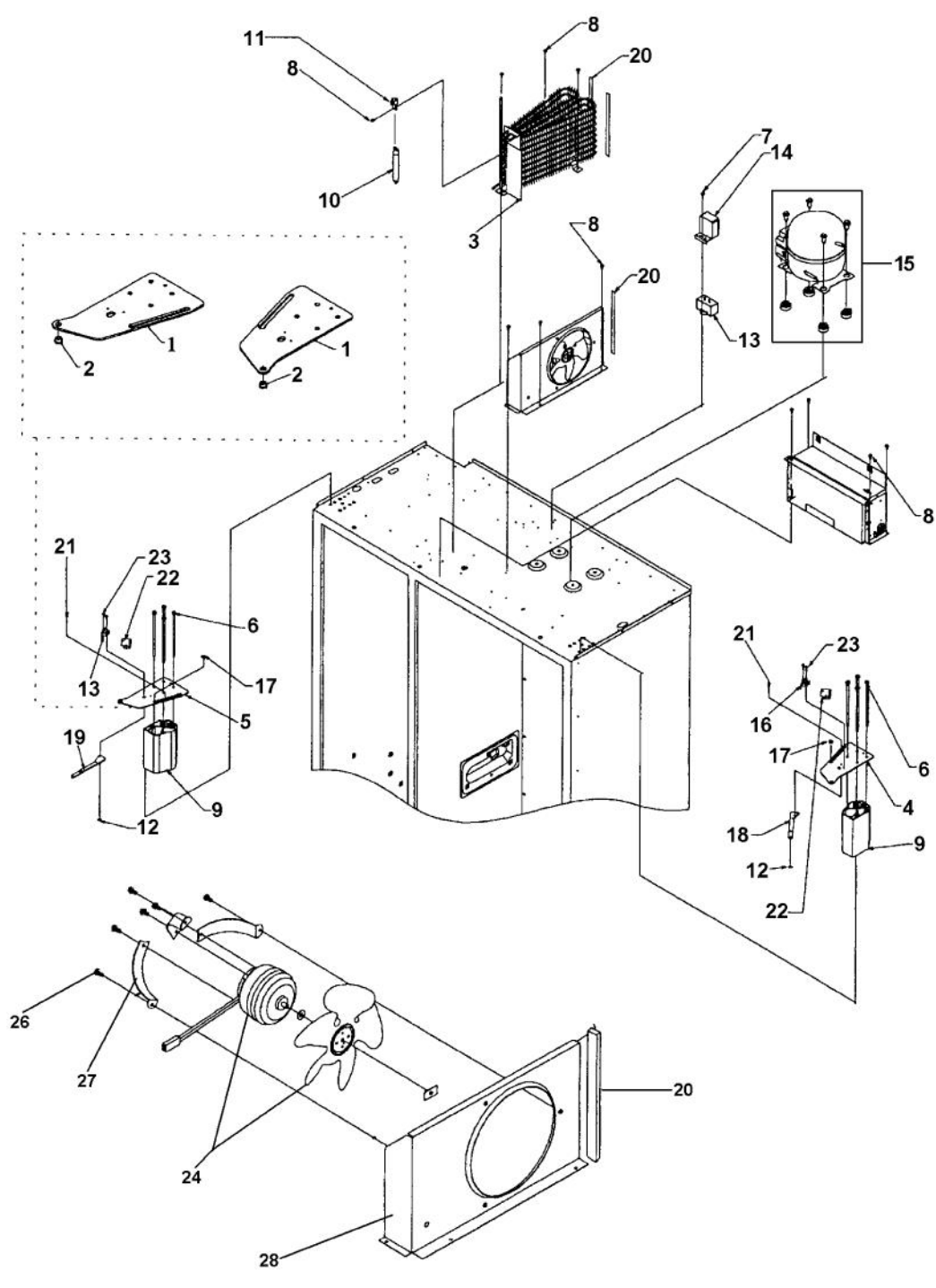


Ref #	Part Number	Qty.	Description
1	M0221913		SCREW-SM
2	M0238535		SCREW-SM
3	M0288120		NUT-SPEED, VM0288120
4	PK930085		COVER FAN SXS 48 FF
	PK930086		COVER FAN SXS 48 FZ
5	PM910228		LADDER LS REF (BEFORE 5/1/06)
	PK020079		LADDER FF L SXS 42D/48D (AFTER 5/1/06)
6	PK920024		LADDER FF R
7	12118901		TRACK-DELI DRAWER
8	12075003		MOTOR-REF FAN
9	C8983701		THERMISTOR
10	M0232903		SCREW-SE
11	M0581001		GROMMET-SCREW
12	M0218136		SCREW-SM
13	M0218137		SCREW-SM
14	K2096475		PLATE-FAN MNT 12404701
15	12102501		RET-HARNESS
NI	M0321202		TIE-ELEC
16	G3096496		MC COVER WELD 12213401
17	M0238846		SCREW-SHLDR
18	M0108201		CLIP-S
19	M0238616		SCREW-SM
20	PE950149		SWITCH POWER
21	L2099475		BRACKET LIGHT SXS FZ
22	L2099492		BRACKET LIGHT SXS 48 FF
23	12096901		SOCKET-LIGHT
24	A3079001		LAMP - 40W
25	M0210417		SCREW, SS SM
26	PK930077		LENS LIGHT SXS 48 FZ
27	M0581001		GROMMET-SCREW
28	PK930078		COVER LIGHT SXS 48 FZ
29	12184401		COVER, REFRIGERATOR LIGHT
30	12184501		LENS, REFRIGERATOR LIGHT
31	12135402		SHIM-CAB TRIM
NI	C3680309		FAN SWITCH (E3101AA)
32	12074701		INSUL-MC CVR V12074701
33	12184901		INSUL-BACK MC CVR
34	12074601		INSUL-L MC CVR V12074601
35	12074704		INSUL-MC CVR
36	12074702		INSUL-R MC CVR V12074702
37	B5733302		CLIP-GROUND
38	PE950125		LIGHT SOCKET
39	10270203		HOUSING-LIGHT V10270203
40	10270101		COVER, LIGHT
41	M0580007		GROMMET-SCREW
42	A4539601		SUB TO PC040010 - RIVET-POP VA4539601
NI	PM910069		CABINET TRIM - R
NI	PM910070		SUB TO PK920066 - TRIM CABINET L

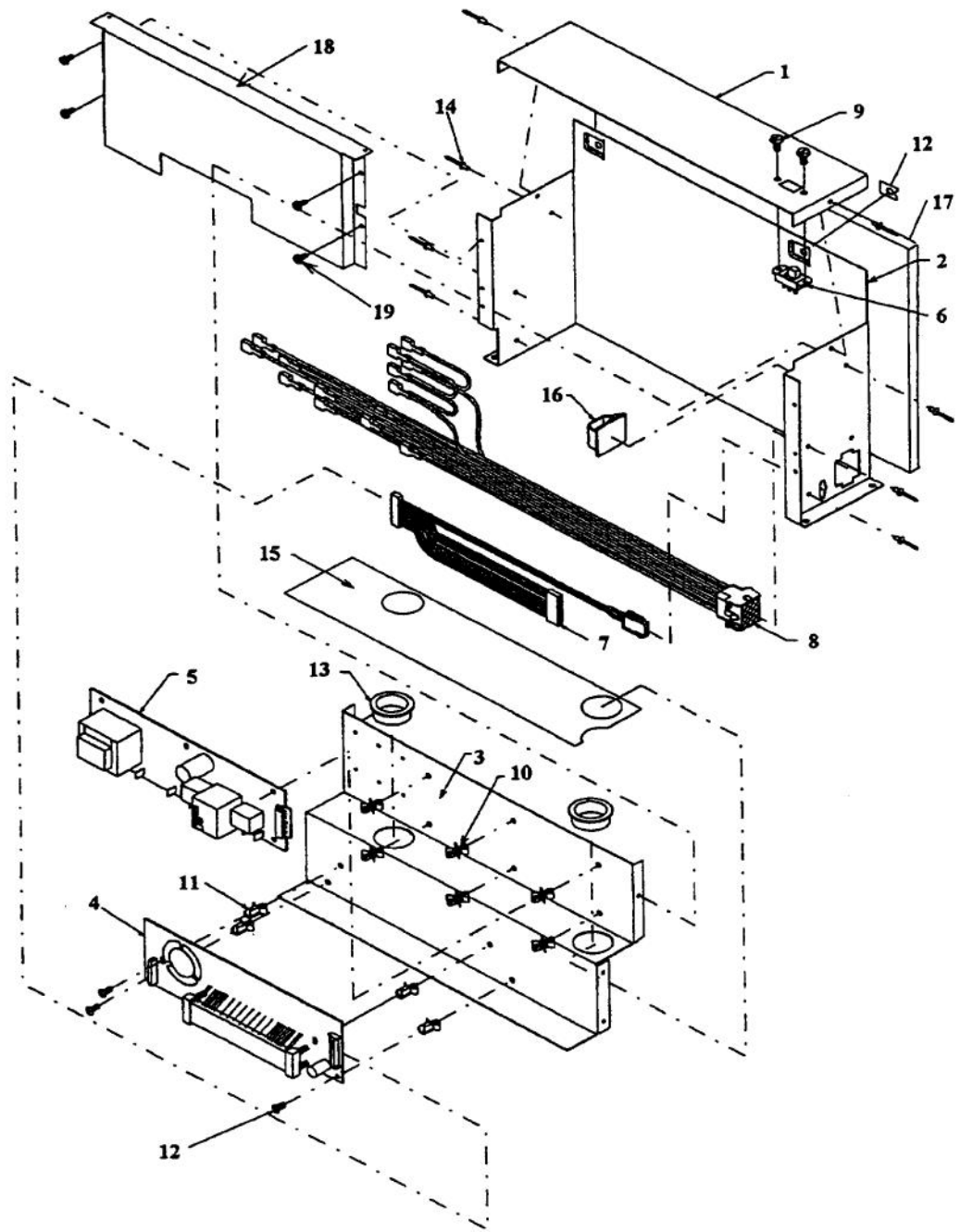
Ref #	Part Number	Qty.	Description
1	VM0211018		SCREW, SM
2	PK930073		CLOSEOUT SIDE SXS 48 FZ L
3	M0213105		SCREW-SM
4	M0213531		SCREW-SM
5	M0213503		SCREW-SM
6	M0238616		SCREW-SM
7	V12304301		CLOSEOUT-FZ SIDE NO.
8	PM910190		BASKET ASM FZ
9	PK930074		GLIDE SXS 48 FZ R
10	PK930075		GLIDE SXS 48 FZ L
11	12064701		PAD-GLIDE V12064701
12	PM910331		ICE BUCKET ASSY
13	PK930087		SUPPORT DRAWER SXS 48 L
14	V12073003		SUPPORT-R DRAWER NO.
15	V12223208		SUB TO - 000485-000 DELI LID ASSY 48/48D
16	12223304		DELI TOP ASSEMBLY
17	V12073304		DRAWER-DELI 48/48DISP
18	V12073401		KNOB-DELI CONT
19	12073501		TUBE-PLASTIC
20	12073506		TUBE-PLASTIC
21	V12073601		SLIDE-DELI CONT
22	V12231201		COVER-AIR CONTROL
23	V12070501		GLIDE-DELI KNOB NO.
24	12073901		GLIDE-L SUPPORT V12073901
25	12073902		GLIDE-L DRAWER V12073902 -
26	12073903		GLIDE-R SUPPORT V12073903
27	12073904		GLIDE-R DRAWER V12073904
28	12196201		GSKT-CONTROL COVER
29	PK930079		SHELF COVER SXS 48 FZ
30	12258501		SUPPORT-SHELF
31	M0581001		GROMMET-SCREW
32	M0211021		SCREW-SM
33	M0238616		SCREW-SM
34	V12144302		CRISPER PAN ASSY 48/48 DISP
35	M0210417		SCREW, SS SM
36	V12183901		DAIRY DRAWER ASSY 48/48D
37	12144004		SHELF, REFRIGERATOR
38	PM910189		SHELF WIRE FZ
39	V12064501		GLIDE, LH CRISPER
40	V12064502		GLIDE, RH CRISPER
41	V12064601		GLIDE-CTR CRISPER NO.
42	12144003		SHELF, CRISPER
43	12064701		PAD-GLIDE V12064701



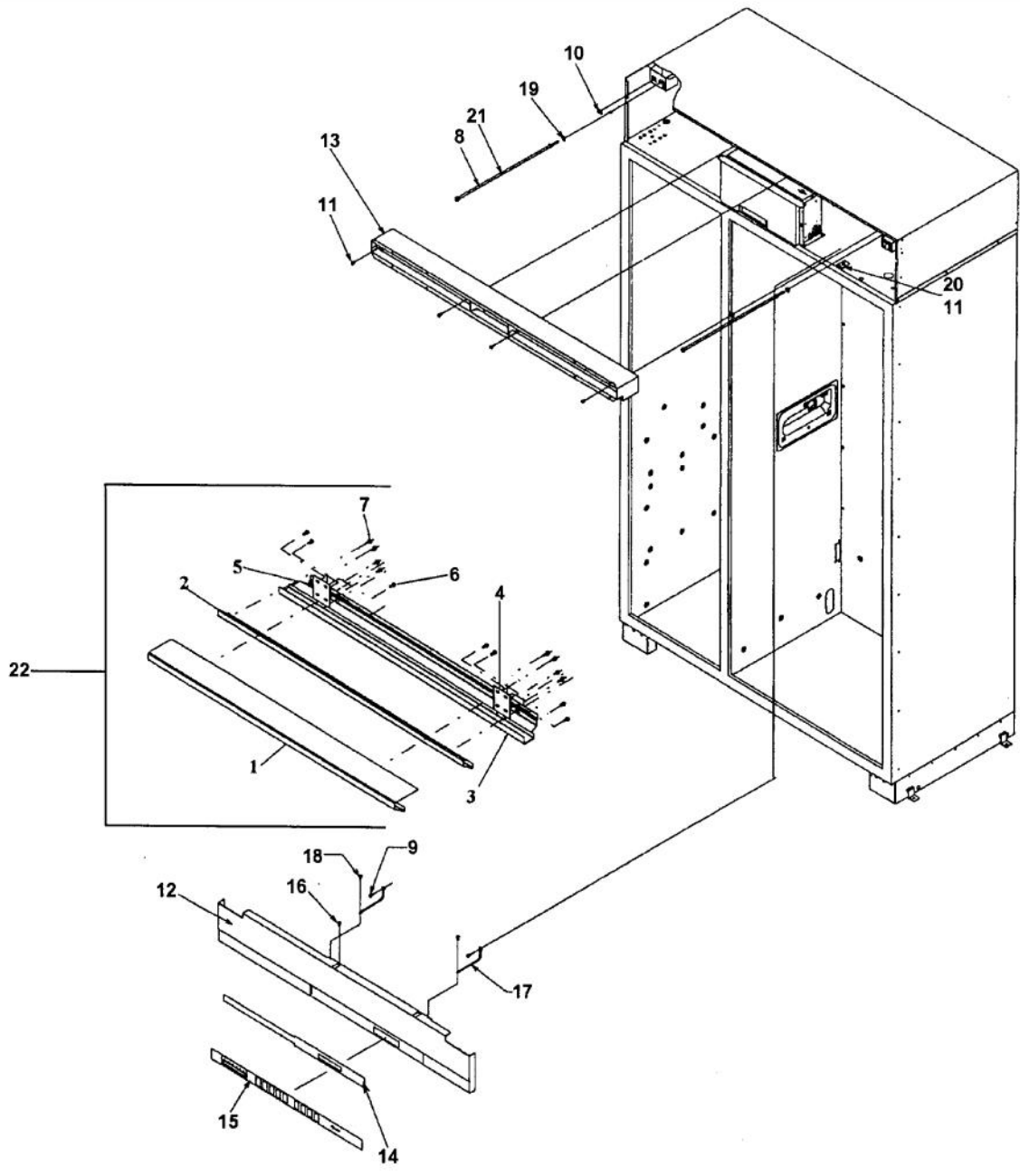
Ref #	Part Number	Qty.	Description
1	M0232903		SCREW-SE
2	M0238616		SCREW-SM
3	L2097181		COVER EVAP UPPER SXS 48
4	L20910054		COVER LOWER EVAP
5	PM910375		LADDER R/L FZ
6	12233801		GASKET-FZ LADDER
7	L20910057		COVER CENTER EVAP
8	K2096461		BRKT-EVAP COVER 12234801
9	C8983701		THERMISTOR
10	L2196411		BRACKET, EVAPORATOR FAN
11	10623003		CLIP-EVAP
12	M0232903		SCREW-SE
13	A3030361		GASKET, RED
14	A3030303		GASKET
15	10527401		CLIP-EVAP
16	A3189370		GASKET-FOAM VA3189370
17	M0238859		SCREW-SHLDR
18	K2096457		BRKT-R-EVAP FAN 12223101
19	K2096458		BRKT-L-EVAP-FAN 12223102
20	M0232929		SCREW-SE
21	K2096456		BRKT-EVAP CLIP 12215101
22	A3189368		GASKET-FOAM VA3189368
23	G5098660		FAN EVAP ASM
24	12234001		GROMMET-VIBRATION
25	PM910169		SHROUD EVAP FAN
26	K2196412		BRKT-MTR/SHROUD 10771801
27	M0224416		SCREW-SM
28	PM910206		EVAPORATOR SXS 48
29	10442407		THERMOSTAT 10442411
30	A3030302		GASKET, GRN
31	PB920155		HEAT EXCHANGER ASM SXS 48
32	10428101		CLIP-EVAP HTR V10428101
33	A1017202		GROMMET-FAN VA1017202
34	PJ910031		HEATER EVAP SXS



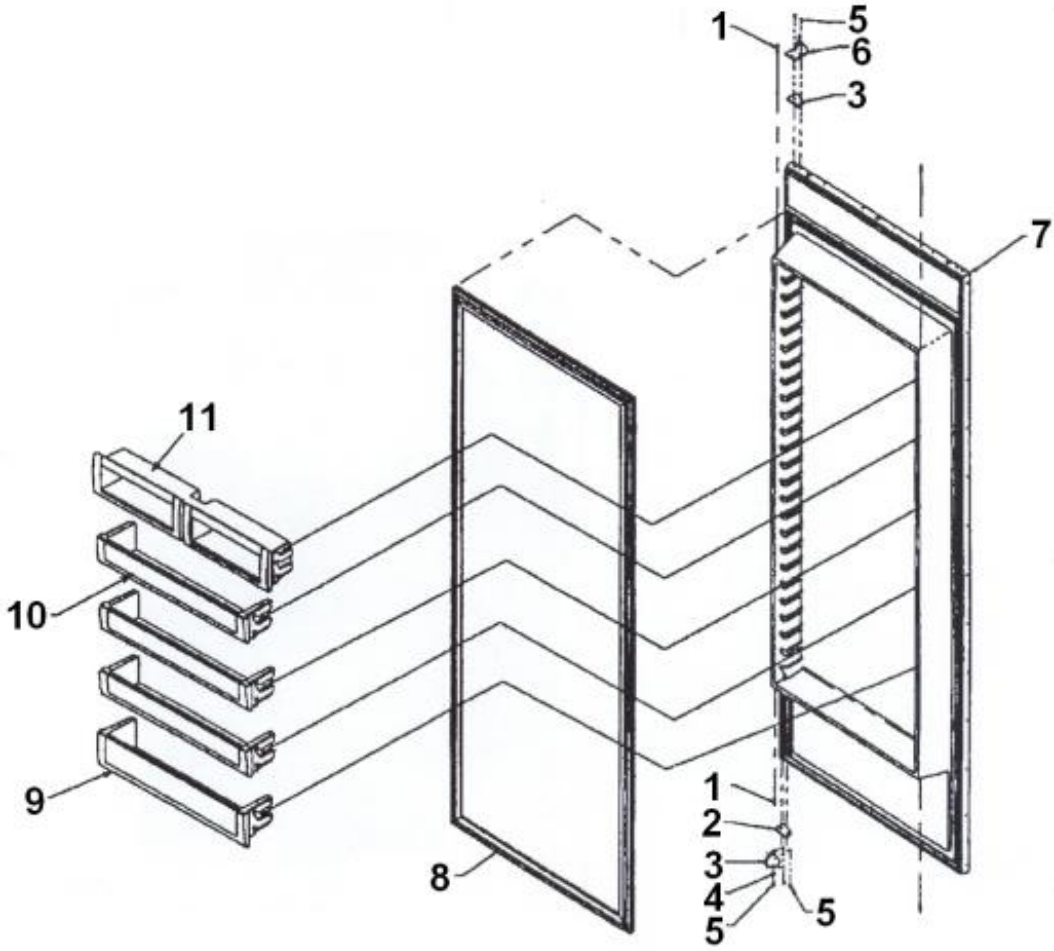
Ref #	Part Number	Qty.	Description
1	K21912534		SHROUD COND FAN
2	10582501		BRKT-COND MTR V10582501
3	PB920171		CONDENSER ASM
4	PC920203		HINGE ASM UR
5	PC920204		HINGE ASM UL
6	M0206313		SCREW-MACH
7	M0223816		SCREW-TR
8	M0238616		SCREW-SM
9	12067901		EXTRSN-TOP HINGE V12067901
10	PM910381		DRIER - HIGH SIDE
11	10547001		CLIP-DRIER V10547001
12	40370P01		NYLON FLAT WASHER V40370P01
13	PE950110		SWITCH LIGHT (12074905)
NI	PE970449		INVERTER ASSEMBLY (BEFORE 12/14/06)
	PE070849		INVERTER (AFTER 12/14/06)
14	G5096494		COND. FAN ASSY
15	G5097976		COMPRESSOR ASSEMBLY (363 AND 483)
16	PE950109		SUB TO G50911866 - SWITCH LIGHT (12074904)
17	12348701		BUMPER-DOOR STOP V12348701
18	PC920067		ARM, DOOR STOP, RH
19	PC920069		ARM, DOOR STOP, LH DFBB/SB
20	A3189370		GASKET-FOAM VA3189370
21	M0220942		SCREW-SHLDR
22	12140701		COVER-SWITCH V12140701
23	M0234005		SCREW-TF
NI	M0104106		CLIP-CORD VM0104106
NI	M0232903		SCREW-SE
NI	M0211018		SCREW-SM
NI	M0234030		SCREW-TR
NI	10522103		MOTOR-PSC V10522103
NI	B5742603		BLADE-FAN
NI	A3189371		GASKET, FOAM



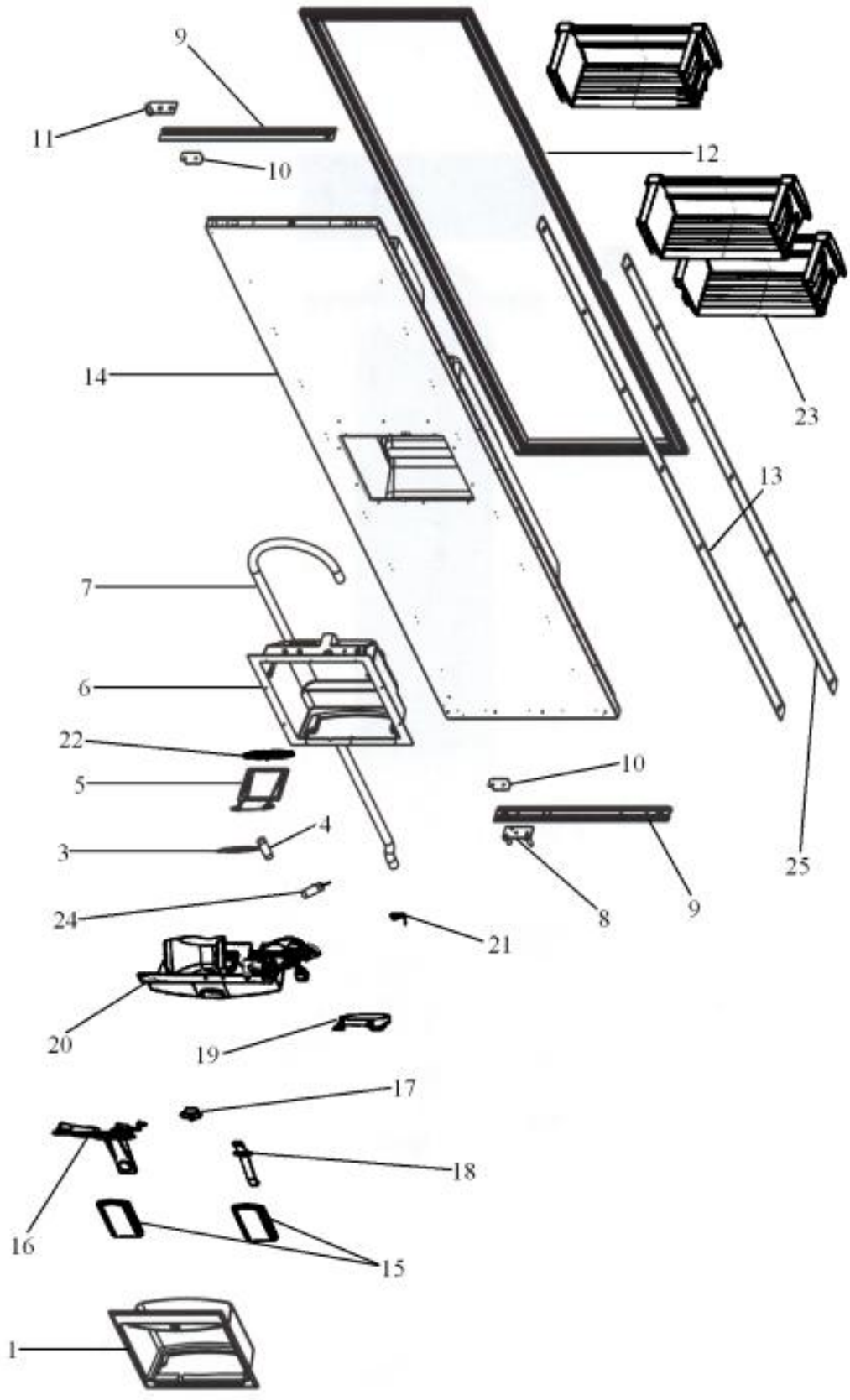
Ref #	Part Number	Qty.	Description
1	K20910062		CONTROL BOX TOP
2	K2099402		CONTROL BOX
3	K20910060		BRACKET - PC
4	PE970603		LOW VOLTAGE BOARD (BEFORE 5/16/06)
	PE070728		BOARD LOW VOLTAGE (AFTER 5/16/06)
5	PE970463		POWER CONTROL BOARD
6	10544502		SWITCH-SLIDE GRN
7	PE970464		HARNESS LOW VOLT (AFTER 11/17/03)
8	PE970465		HARNESS HIGH VOLT (BEFORE 5/16/06)
	PE070785		HARNESS HIGH VOLT (AFTER 5/16/06)
9	M0223816		SCREW-TR
10	M0585504		SUPPORT
11	M0585506		SUPPORT
12	M0217204		SCREW, SM
13	A4554817		BUSHING-SNAP VA4554817
14	A4539601		SUB TO PC040010 - RIVET-POP VA4539601
15	PM910325		FILM PROTECTIVE
16	M0104106		CLIP-CORD VM0104106
17	12074703		INSUL-CONT BOX V12074703
18	K2096431		FRONT-CONT PANEL 12091001
19	M0238616		SCREW-SM
20	M0288120		NUT-SPEED, VM0288120
NI	PE970330		ADAPTER BOARD
NI	PE970331		HARNESS ADAPTER BOARD



Ref #	Part Number	Qty.	Description
1	PM910364		GRILLE UPPER SXS 48 DES
2	PM910365		GRILLE CENTER SXS 48 DES
3	PM910366		GRILLE LOWER SXS 48 DES
4	B2096961		BRACKET-LOUVER
5	B2096962		BRACKET-LOUVER SUP
6	M0220417		SCREW-TC
7	A4539601		SUB TO PC040010 - RIVET-POP VA4539601
8	M0223603		SCREW-LAG
9	M0238846		SCREW-SHLDR
10	M0288120		NUT-SPEED, VM0288120
11	M0238616		SCREW-SM
12	PE940183		COVER CONT PANEL
13	G9096487BK		AIR DUCT WELD ASSY
14	12235201		SWITCH-KEYBOARD
15	12201604		OVERLAY, KEYBOARD
16	M0224128		SCREW-SM
17	12064001		SUPP-CONT PANEL
18	A4539601		SUB TO PC040010 - RIVET-POP VA4539601
19	M0270510		WASHER
20	12414701		BRKT-CONT COVER
21	12349301		BEARING-SLEEVE V12349301
22	G32912580		GRILLE ASM SXS 48 FOL
NI	PM910349		END CAP GRILLE L
NI	PM910348		ENP CAP GRILLE R
NI	PM910071		COVER - END CAP 12119801
NI	PM910072		COVER - END CAP 12119802
NI	PM910081		SPACER GRILLE 48 - 12184801
NI	PM910082		SPACER GRILLE 48 - 12184802
NI	PM910083		GRILLE EXTENSION SXS 12193201



Ref #	Part Number	Qty.	Description
1	12128001		PLUG-INNER DOOR
2	VM0202528		SCREW, MACHINE
3	PC920071		DOOR CLOSURE
4	M0272803		WASHER-LOCK
5	M0226233		SUB TO PD920174 - 10 X 7/8 PHILLIPS SMA TRI LOBE SA
6	PC920207		PIVOT PL ASM RH UP FOL
7	G50910029		DOOR FOAM ASM SXS 48 FF
8	PB970185		GASKET, REFRIGERATOR DOOR
9	V12192902		REF DR SHELF ASSY NO.
10	V12188002		DOOR SHELF ASSEMBLY
11	12203602		DAIRY MODULE ASSEMBLY
NI	G5097703		DOOR ASM SXS 48 FF



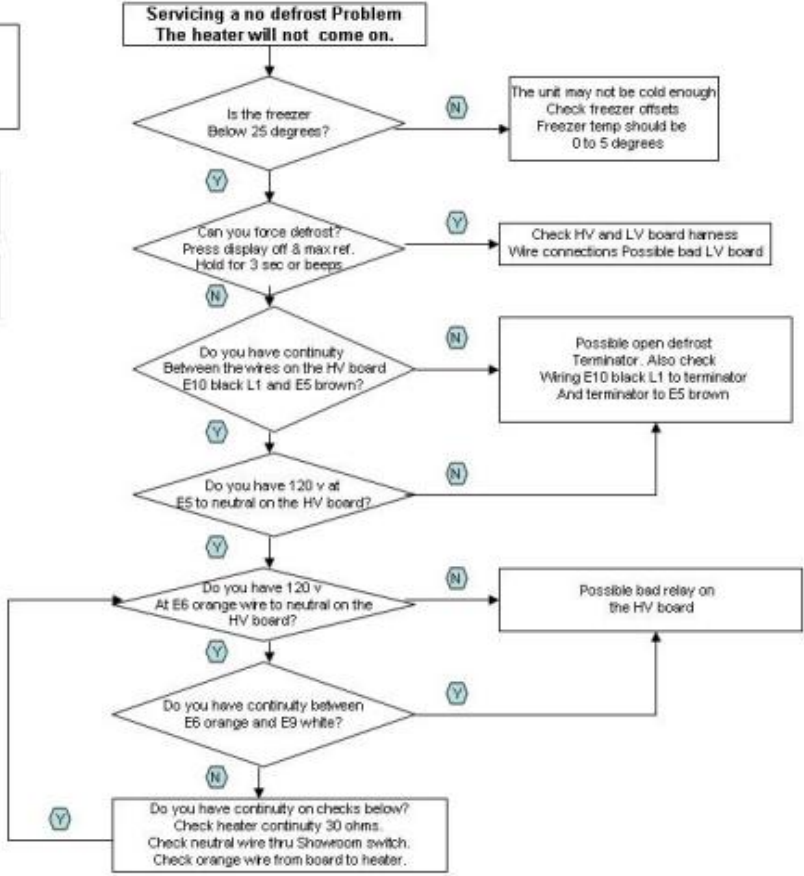
Ref #	Part Number	Qty.	Description
1	PB910228		BEZEL I/W DISPENSER FULL OVERLAY
2	PB980023		SPILL TRAY - I/W DISPENSER
3	PK930401		DEFLECTOR-ICE
4	PK930274		TUBE CONNECTOR
5	V12348201		CHUTE ICE
6	PK930403		CAVITY DISPENSER
7	PK930273		TUBE WIRE
8	PC920206		PIVOT PL ASM LH LW FOL
9	K2096651		BRKT-DEC PANEL
10	PD940092		SPACER - DOOR HINGE
11	PC920208		PIVOT PL ASM LH UP FOL
12	PB970205		DOOR GASKET
13	PE940176		TRIM - DOOR SXS PRO SIDES
14	G50913027		DOOR FOAM ASM SXS 48 DISP FZ
15	V12221005		PAD - E ACTUATOR (BLK)
16	PK930383		ARM ICE ACTUATOR
17	PE950152		SWITCH SLIDE
18	PK930404		ARM WATER ACTUATOR
19	PK930381		DOOR DISPENSER
20	PM910516		CAVITY COVER ASSEMBLY INCLUDES SWITCHES
21	PC910017		SPRING DISP DOOR
22	12193801		GASKET - ICE DR
23	G5098676		DOORBIN ASM SXS 42 & 48 FZ
24	C8973603		DELAY-DOOR NO.
25	K2096650		BRKT-DEC PANEL
NI	PB910260		INSERT FACADE
NI	PK930145		CAP - BLACK SWITCH
NI	PE970484		HEATER CAVITY
NI	PE970428		HARNESS - FZ DR
NI	G50911859		DISPENSER WATER LINE SLEEVE SERVICE KIT



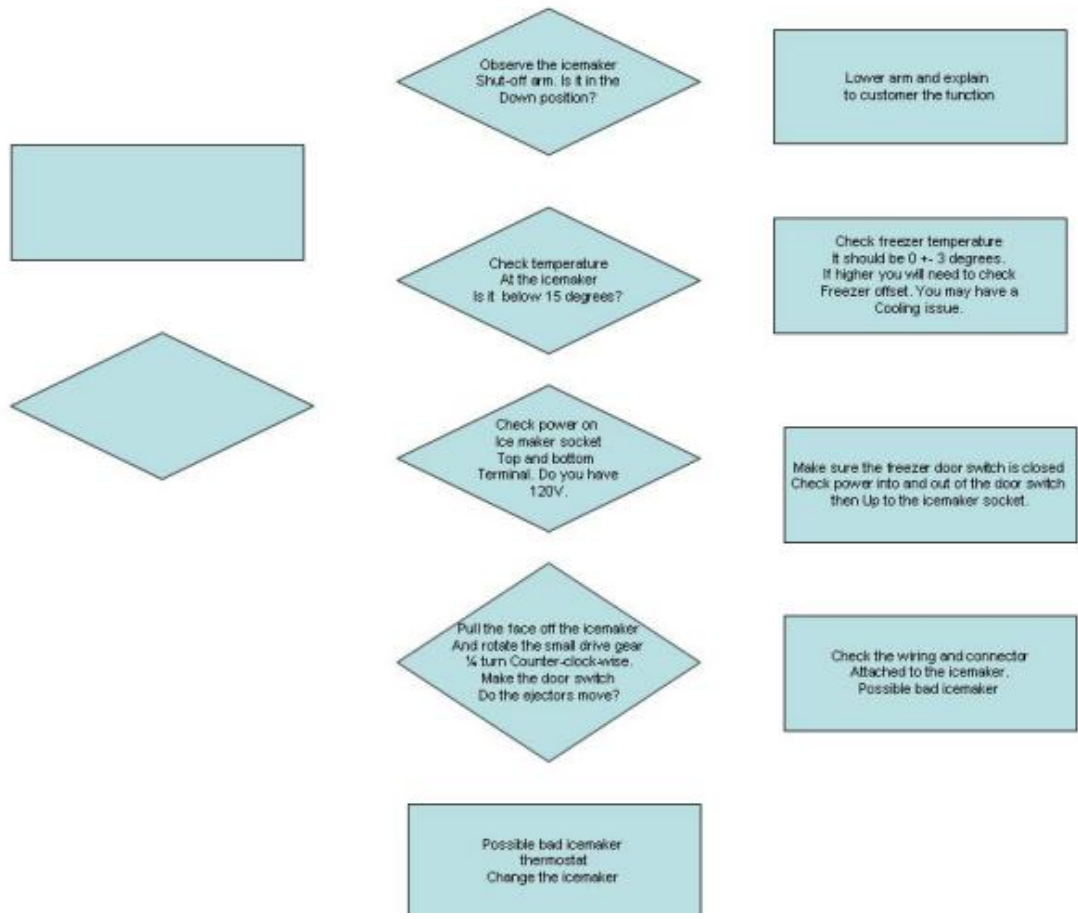
Refrigeration

You must have a voltmeter that has ohm readings.

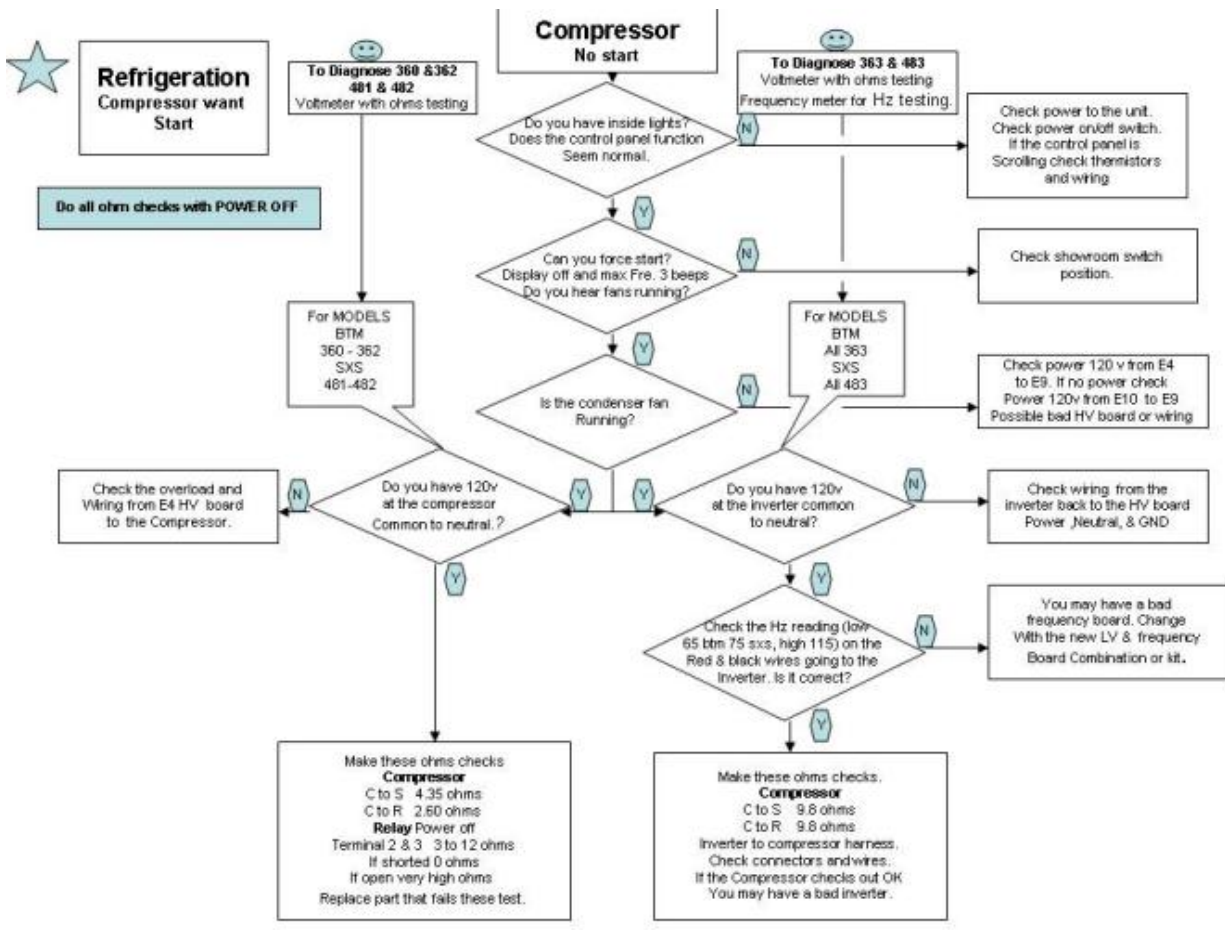
Do continuity checks with **power off**



Ref #	Part Number	Qty.	Description
-------	-------------	------	-------------



Ref #	Part Number	Qty.	Description
-------	-------------	------	-------------



Ref #	Part Number	Qty.	Description
-------	-------------	------	-------------
