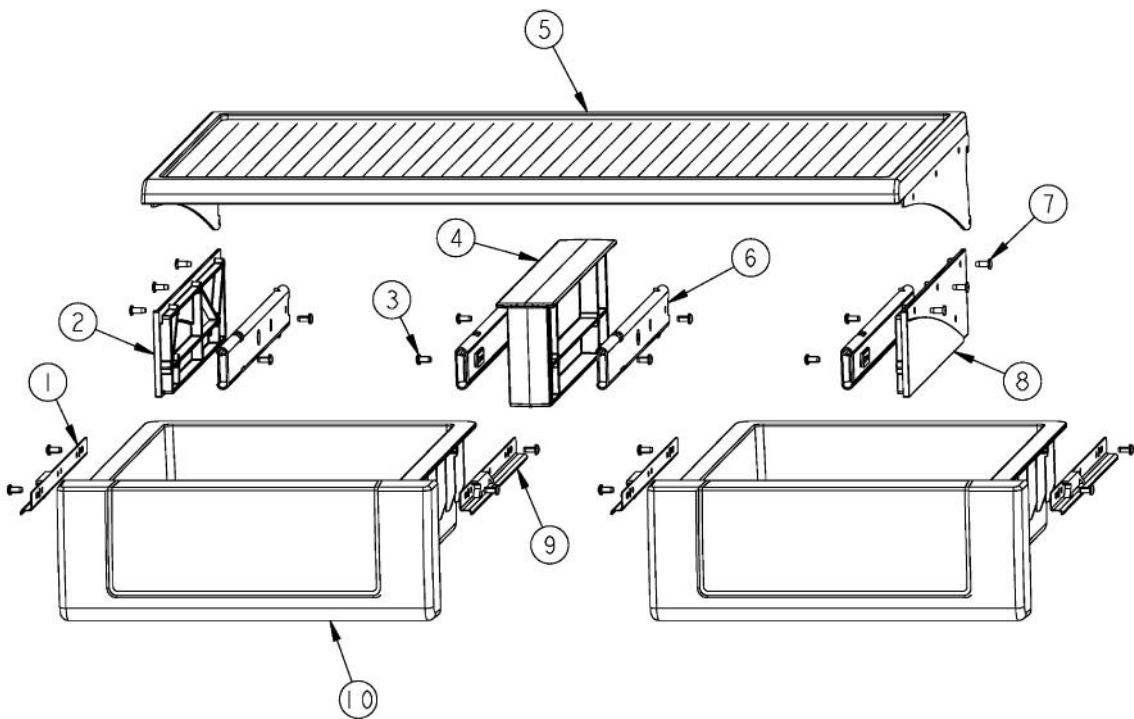
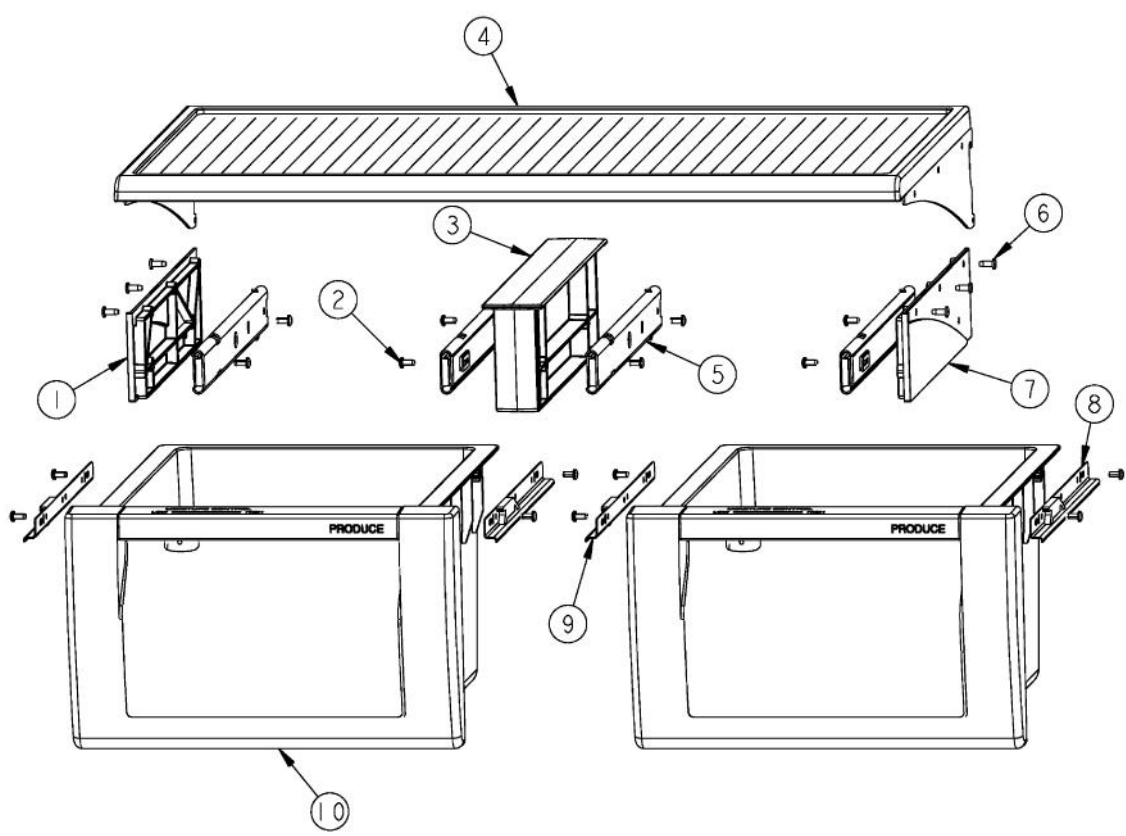


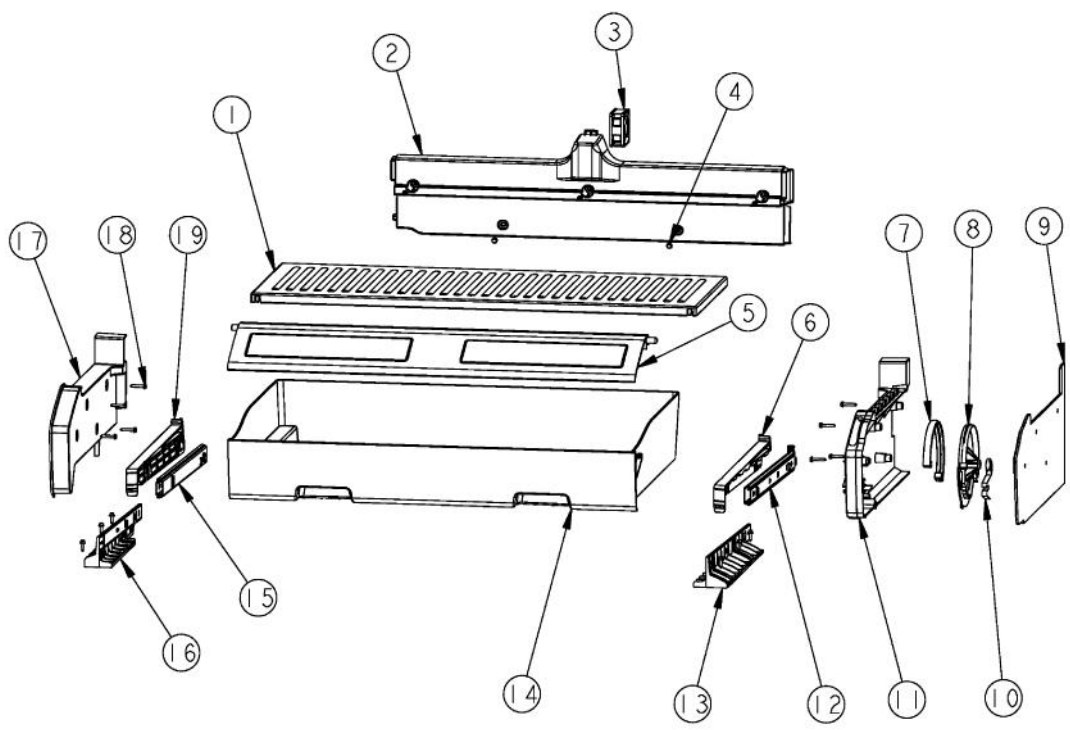
Ref #	Part Number	Qty.	Description
1	PM010529		SHELF ASM GLASS 30 AR 48 FF
2	DELI DRAWER		SEE PAGE 002 FOR BREAKDOWN
3	PRODUCE DRAWER		FOR BREAKDOWN SEE PAGE 002
4	Conv.MeatSaverDra.		SEE PAGE 004 FOR BREAKDOWN



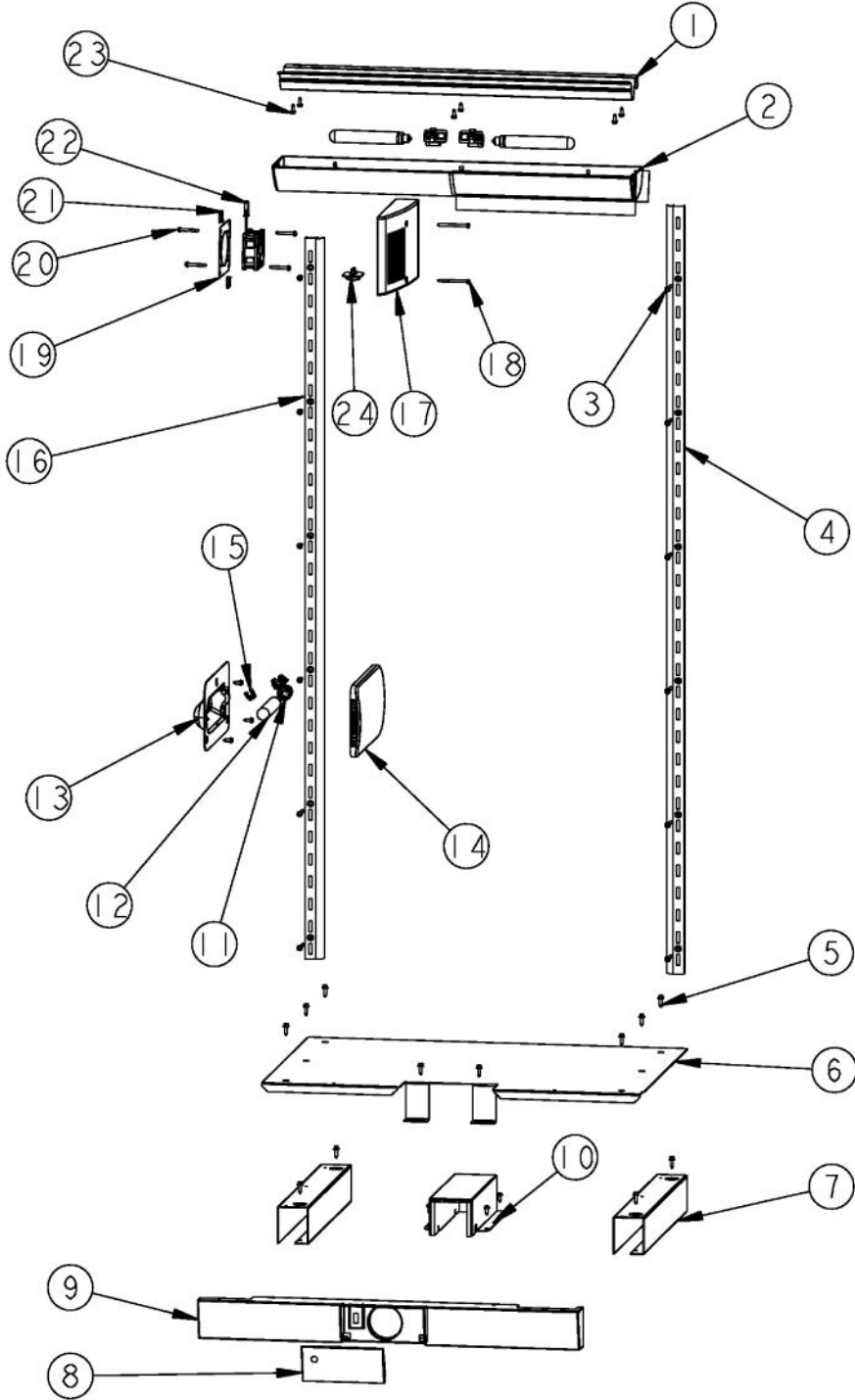
Ref #	Part Number	Qty.	Description
1	PM910342		RAIL DRAWER L
2	PK930291		SUPPORT SLIDE L
3	PD920161		SCR 8-16 PLASTITE PNP 3/8 S
4	PK030439		GLIDE CENTER SUPPORT
5	PM010529		SHELF ASM GLASS 30 AR 48 FF
6	PM910388		SLIDE DRAWER (R & L)
7	PD020032		SRW-8(A)X3/8PH.WFR HD 7/16DIAXNICL
8	PK930290		SUPPORT SLIDE R
9	PM910343		RAIL DRAWER R
10	PK930305		DRAWER DELI AR 30 SXS 48



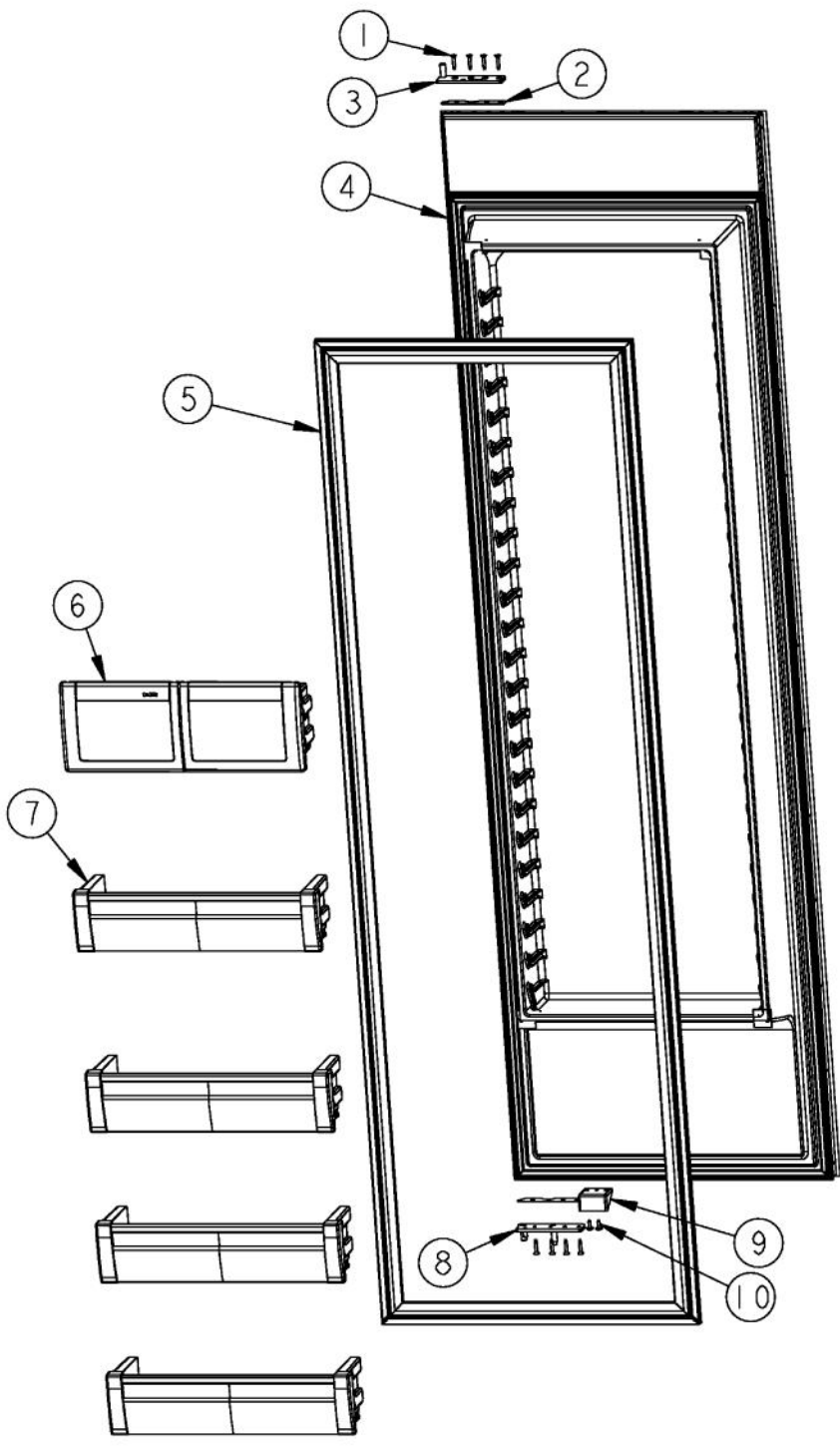
Ref #	Part Number	Qty.	Description
1	PK930291		SUPPORT SLIDE L
2	PD920161		SCR 8-16 PLASTITE PNP 3/8 S
3	PK030439		GLIDE CENTER SUPPORT
4	PM010529		SHELF ASM GLASS 30 AR 48 FF
5	PM910388		SLIDE DRAWER (R & L)
6	PD020032		SRW-8(A)X3/8PH.WFR HD 7/16DIAXNICL
7	PK930290		SUPPORT SLIDE R
8	PM910343		RAIL DRAWER R
9	PM910342		RAIL DRAWER L
10	PK930304		PRODUCE DRAWER



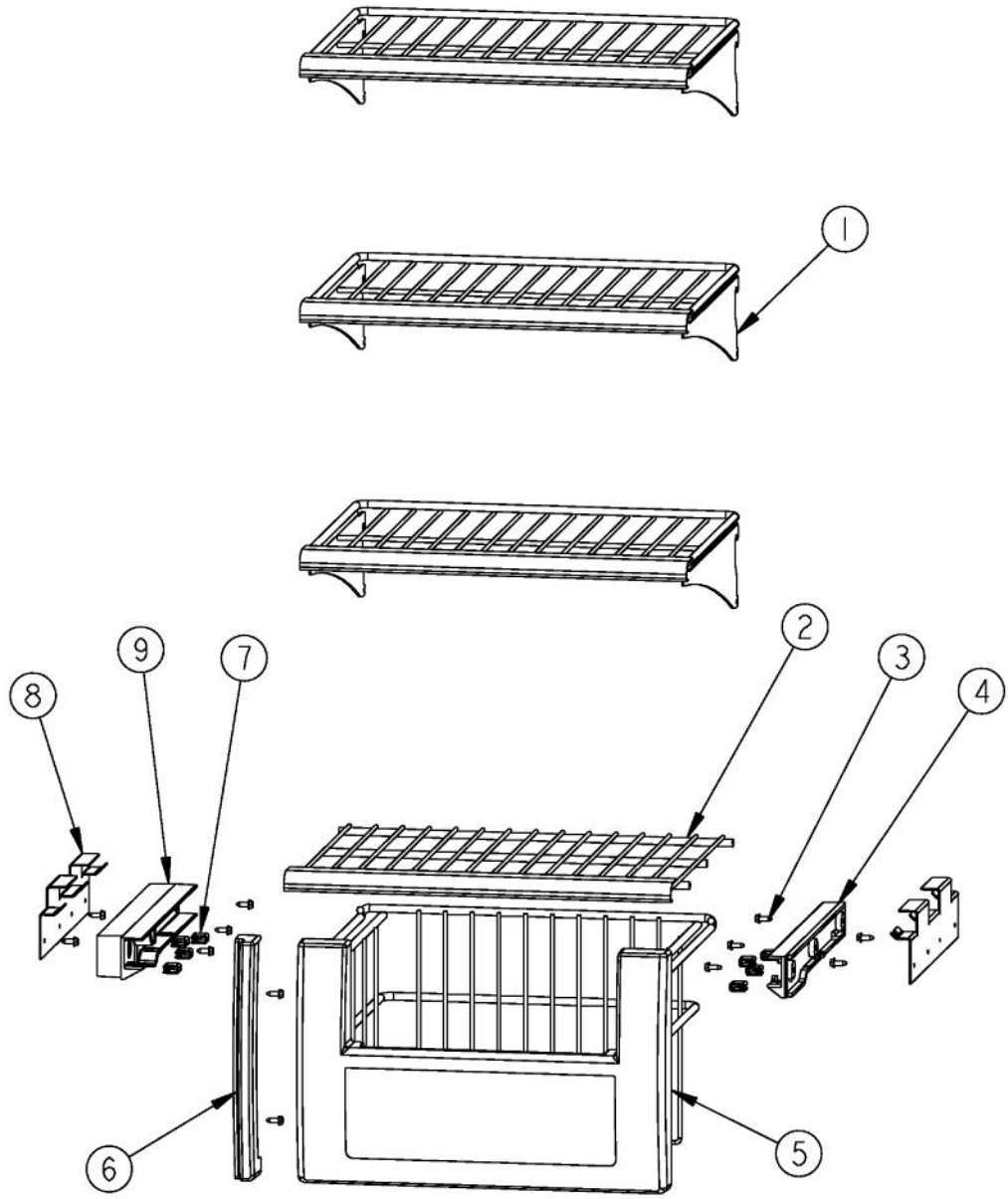
Ref #	Part Number	Qty.	Description
1	PK930308		SHELF MEAT SAVOR AR 30 SXS 48
2	PK930307		DUCT MEAT SAVOR AR 30 SXS 48
3	000730-000		MEAT SAVOR FAN - 3.8 W
4	PD020195		SCR 8-18 X 5/8
5	PK930310		DOOR MEATSAVOR AR 30
6	PK930175		SUPPORT DRAWER MEAT SAVOR SXS 42/48 R
7	PK930172		COVER CONTROL MEAT SAVOR
8	PK930168		DIAL CONTROL MEAT SAVOR
9	PK930283		DUCT MEATSAVOR SPACER
10	PM910334		ROLLER TENSION
11	PK930169		DUCT MEAT SAVOR SXS 42/48 R
12	PM910287		SLIDE MEAT SAVOR R
13	PK930173		SUPPORT SLIDE MEAT SAVOR SXS 42/48 R
14	PK930309		DRAWER MEAT SAVOR AR 30 SXS 48
15	PM910288		SLIDE MEAT SAVOR L
16	PK930174		SUPPORT SLIDE MEAT SAVOR SXS 42/48 L
17	PK930284		DUCT MEATSAVOR LEFT
18	M0211021		SCREW-SM
19	PK930176		SUPPORT DRAWER MEAT SAVOR 42/48 L



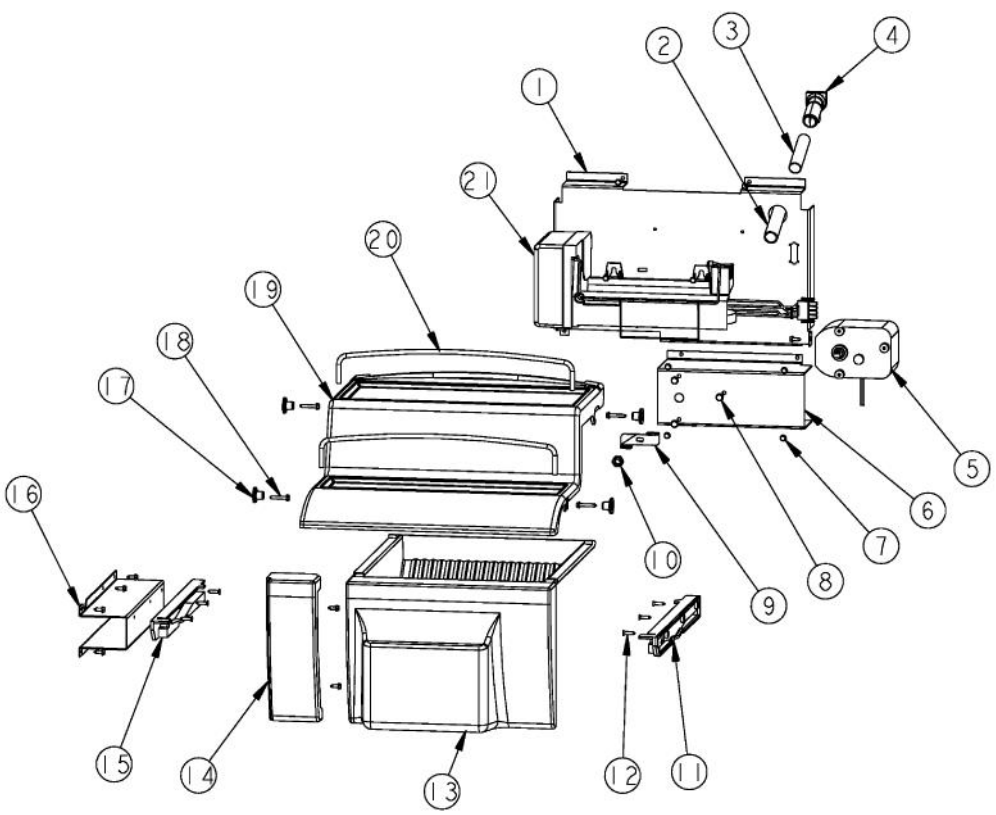
Ref #	Part Number	Qty.	Description
1	L2099492		BRACKET LIGHT SXS 48 FF
2	PK930268		COVER LIGHT ASM AF AR 30 SXS 48 FF
3	M0238535		SCREW-SM
4	PM910227		LADDER RS REF
5	PD020195		SCR 8-18 X 5/8
6	L20913095		FLOOR-FALSE
7	K20913096		BRACKET FALSE FLOOR
8	PK930313		COVER WATER FILTER SXS DISP
9	PK930364		COVER FALSE FRONT
10	G50913708		ASM COVER WATER FILTER
11	PE950125		LIGHT SOCKET
12	A3079001		LAMP - 40W
13	10270203		HOUSING-LIGHT V10270203
14	PK930346		COVER LIGHT
15	B5733302		CLIP-GROUND
16	PK020079		LADDER FF L SXS 42D/48D
17	PK930085		COVER FAN SXS 48 FF
18	M0221913		SCREW-SM
19	K2096475		PLATE-FAN MNT 12404701
20	PD020188		SCR 8-18 BT HXWS 1 1/2
21	M0288120		NUT-SPEED, VM0288120
22	000732-000		FRESH FOOD FAN - 1.2 W
23	PD020194		SCREW-SM
24	C8983701		THERMISTOR
NI	PM910332		ACCESSORY ASSY



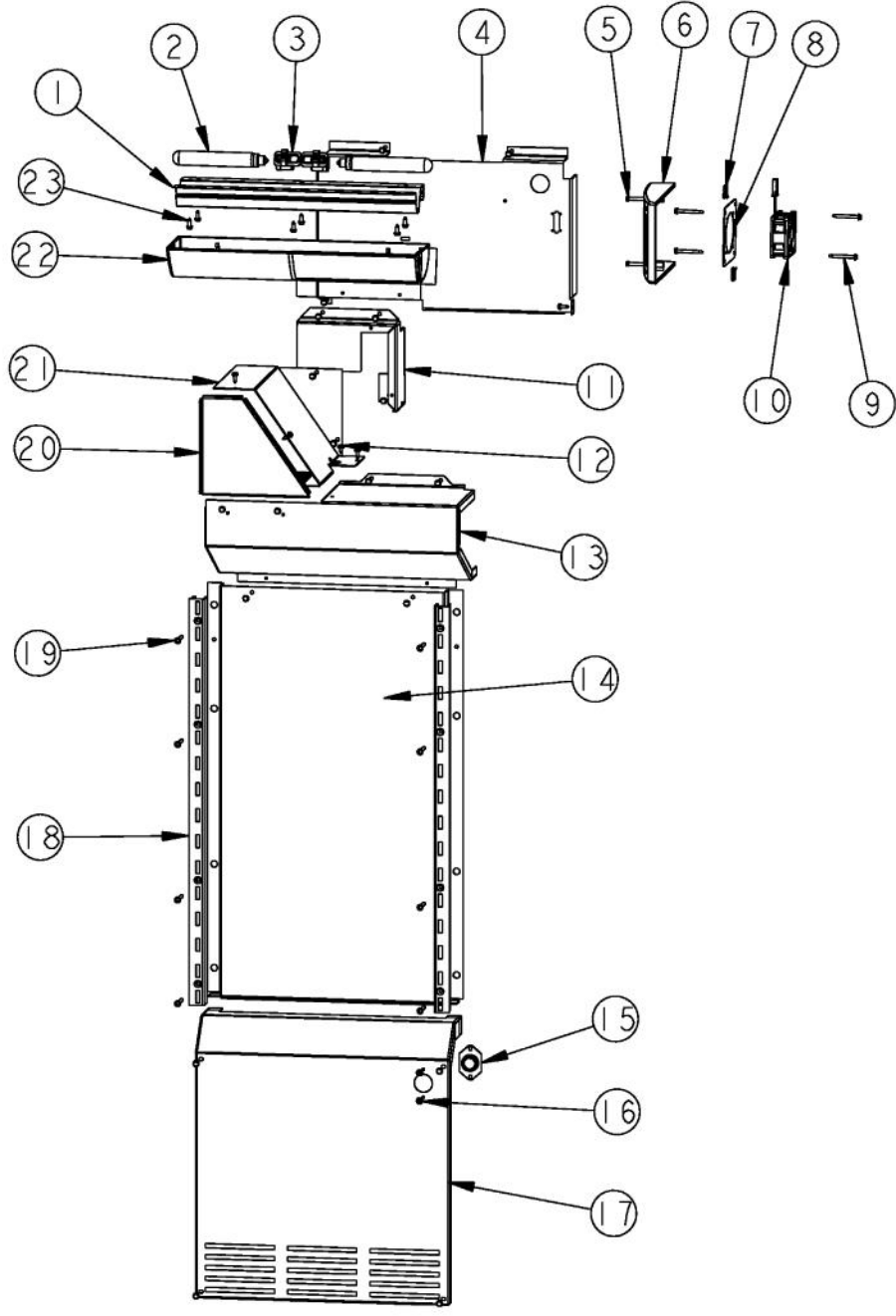
Ref #	Part Number	Qty.	Description
1	PD920174		10-32 TORX HEAD SCREW
2	PD040162		SPACER-DOOR HINGE
3	PC020274		PIVOT PL ASM RH UP FOL
4	G32915040		DOOR ASM 48/48D FF (INCLUDES GASKET)
5	PB070332	1	DOOR GASKET (BEFORE 06-10-08)
5	005454-000	1	GASKET, ASM, 48,SXS, FF (ON OR AFTER 06-10-08)
6	V12203602		DAIRY MODULE ASM
7	G5099291		DOOR BIN ASM SXS 48 FF AND 30 AR
8	016180-000		PIVOT PL AS LH LW FOL
9	PD050019		STRIKER DOOR SWITCH
10	M0210458		SCREW-SM



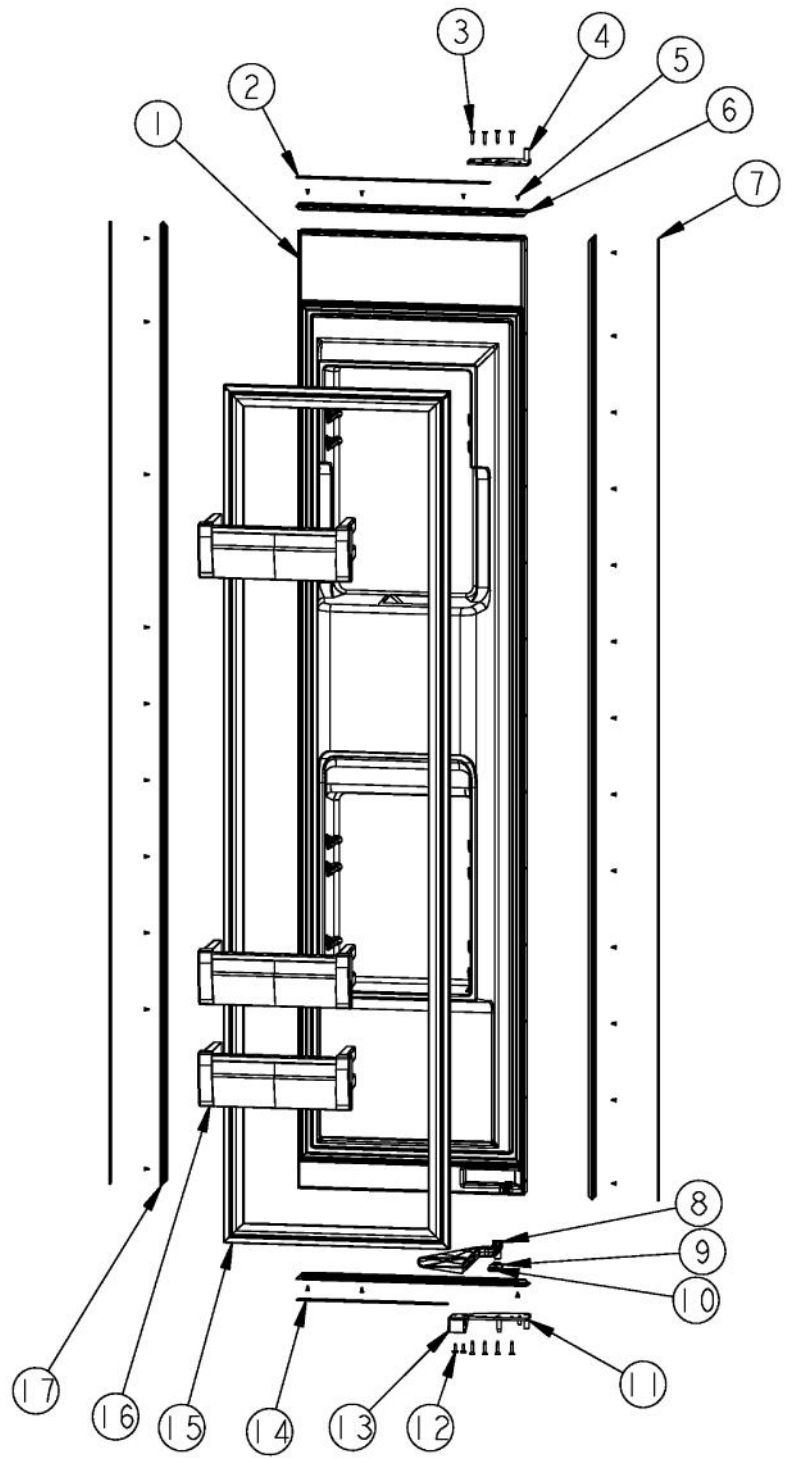
Ref #	Part Number	Qty.	Description
1	PM910189		SHELF WIRE FZ
2	PM910231		FZ FIXED BASKET ASSEMBLY
3	PD020194		SCREW-SM
4	PK930074		GLIDE SXS 48 FZ R
5	PM910190		BASKET ASM FZ
6	PK930107		FZ BASKET SIDE SPACER FRONT
7	12064701		PAD-GLIDE V12064701
8	L20910067		FZ SHELF BRACKET
9	PK930075		GLIDE SXS 48 FZ L



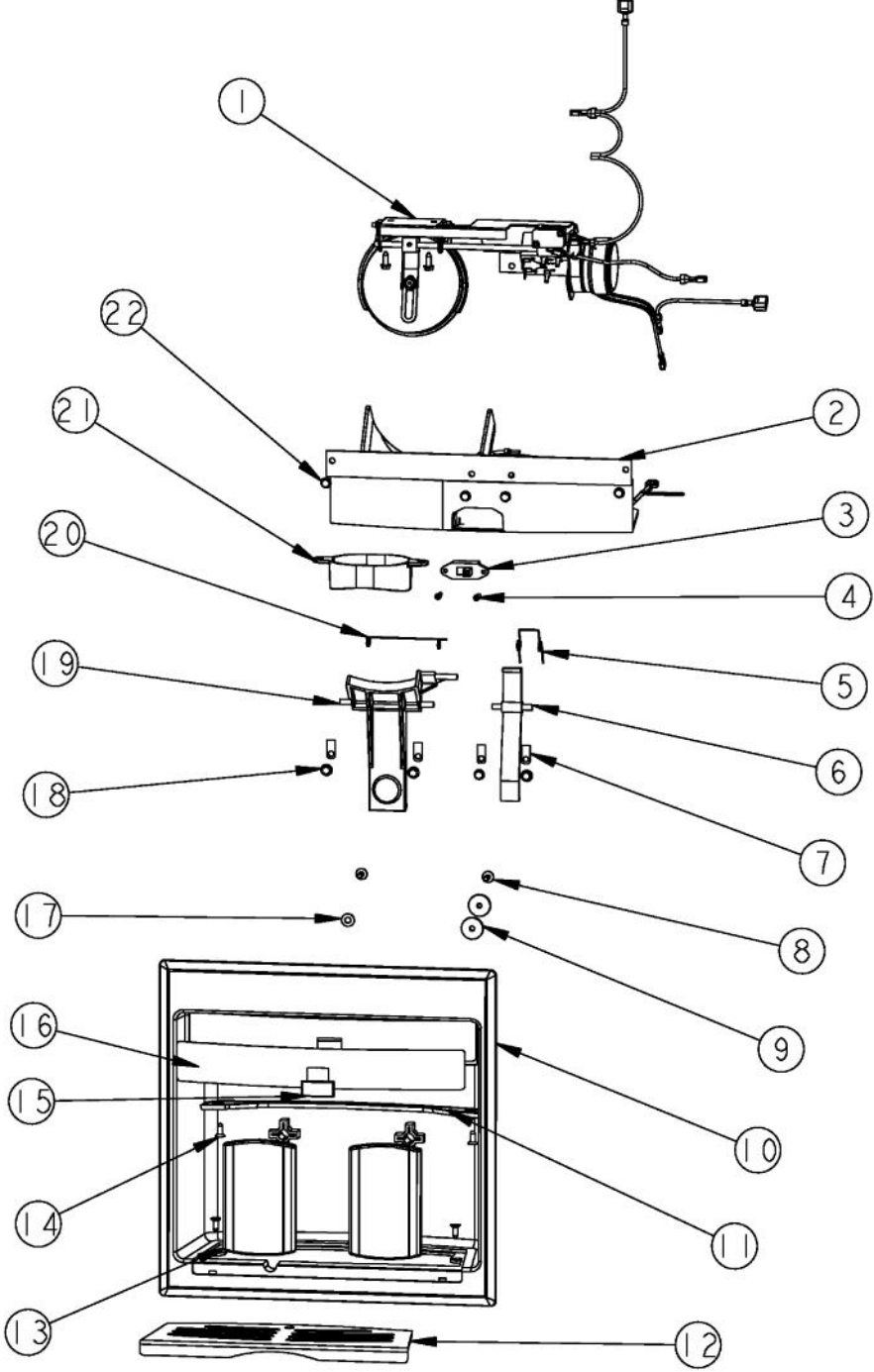
Ref #	Part Number	Qty.	Description
1	C90910058WH		COVER UPPER EVAP
2	PB920220		EXT FILL TUBE
3	PK030436		FILL TUBE
4	10276601		ELBOW-FILLER TUBE
NI	G5096419		FILL TUBE ASSY 10942511 (INCLUDES ITEMS NO. 3 AND NO. 4)
5	PE950158		MOTOR AUGER
6	C90914113WH		BRACKET - AUGER MOTOR (WH)
7	PD020194		SCREW-SM
8	PD020191		SCR. NO.10 PLAS HXW 1/2 S
9	B20911863		DRIVER ? ICE BUCKET RNG
10	M0223101		NUT LOCKING
11	PK930265		GLIDE R FZ
12	M0213503		SCREW-SM
13	PM910331		ICE BUCKET ASSY
14	PK930096		CLOSEOUT - ICE DISPENSER
15	PK930266		GLIDE L FZ
16	C90910027WH		SUPPORT LS ICE BUCKET
17	12258501		SUPPORT-SHELF
18	M0211021		SCREW-SM
19	PK930264		SHELF COVER
20	PM910435		RETAINER WIRE
21	G50911851		ICE MAKER ASM, SXS ND, AF



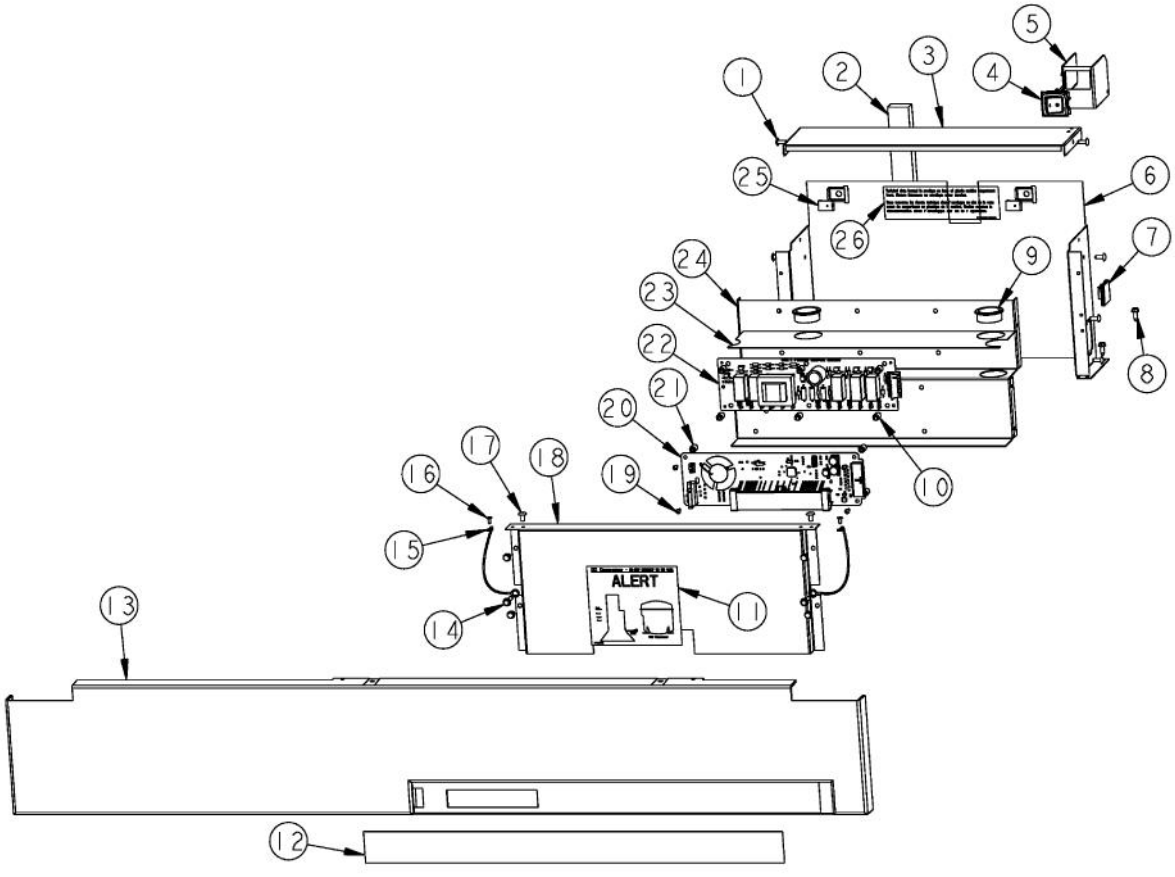
Ref #	Part Number	Qty.	Description
1	L2099475		BRACKET LIGHT SXS FZ
2	A3079001		LAMP - 40W
3	PE950125		LIGHT SOCKET
4	C90910058		UPPER EVAPORATOR COVER
5	M0221913		SCREW-SM
6	PK930086		COVER FAN SXS 48 FZ
7	M0288120		NUT-SPEED, VM0288120
8	K2096475		PLATE-FAN MNT 12404701
9	PD020188		SCR 8-18 BT HXWS 1 1/2
10	000732-000		FRESH FOOD FAN - 1.2 W
11	L20914115		FAN BRACKET
12	PD920193		SCREW
13	L20910056		COVER EVAP MOTOR
14	L20910057		COVER CENTER EVAP
15	C8983701		THERMISTOR
16	M0211014		SCREW-SM
17	L20910054		COVER LOWER EVAP
18	PM910375		LADDER R/L FZ
19	M0238535		SCREW-SM
20	L20910075		COVER EVAP FAN
21	L20914114		FAN COVER
22	PK930116		COVER LIGHT ASM SXS 42 FZ
23	PD020194		SCREW-SM



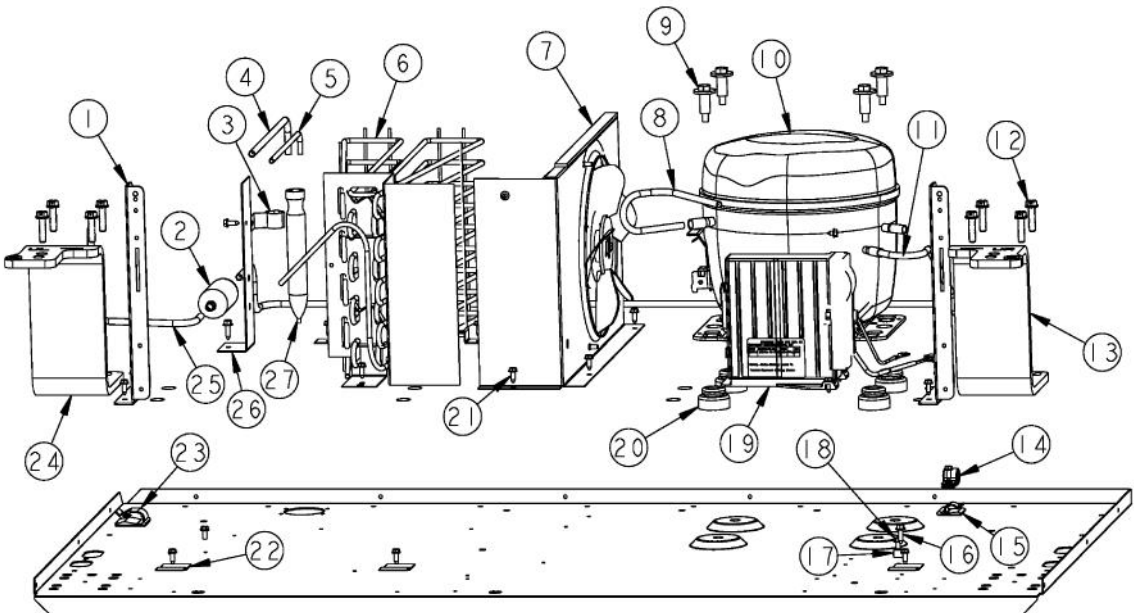
Ref #	Part Number	Qty.	Description
1	G32915039		DOOR ASM 48D FZ (INCLUDES GASKET)
2	PM910345		INSERT FRAME DOOR TOP SXS 42 FZ FO
3	PD920174		10-32 TORX HEAD SCREW
4	PC020275		PIVOT PL ASM LH UP FOL
5	M0215704		SCREW-SM
6	PM010615		TRIM DOOR 48 FZ TOP BOT FOL
7	PM910097		INSERT SXS FF/FZ SIDE 12063706
8	PK930297		ELBOW CHASE SXS DISP
9	PK930298		RETAINER ELBOW 42 SXS DISP
10	M0215318		SCREW-SM
11	016179-000		PIVOT PL ASM RH LW FOL
12	M0210458		SCREW-SM
13	PD950019		STRIKER SWITCH
14	PM910313		INSERT FRAME DOOR BTM SXS 42 FZ FO
15	PB070331	1	DOOR GASKET (BEFORE 06-10-08)
15	005456-000	1	GASKET, ASM, 48, SXS, FZ DISP (ON OR AFTER 06-10-08)
16	G5098676		DOORBIN ASM SXS 42 & 48 FZ
17	PM910102		SIDE TRIM



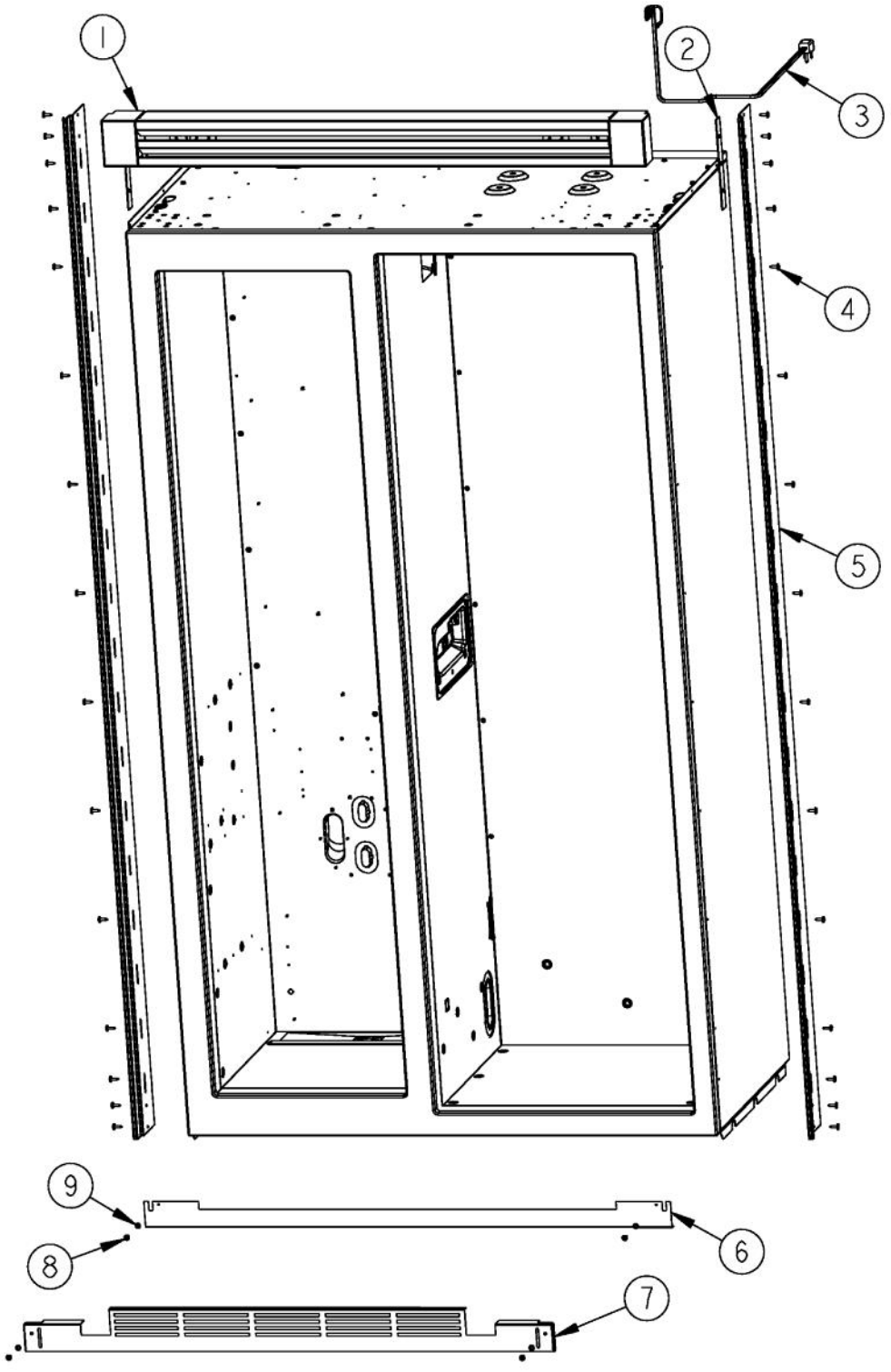
Ref #	Part Number	Qty.	Description
1	G50914150		ICE DISPENSER MODULE ASM
2	PE070755		DISPENSER CAVITY ASSEMBLY
3	PE950152		SWITCH SLIDE
4	00334-000		SCREW, NO.4-24 X 1/2
5	B8385402		SPRING-RETURN
6	PK930404		ARM WATER ACTUATOR
7	B10910081		DISP RETAINER ICE ARM
8	M0210443		SCREW-E SM
9	M0270546		WASHER
10	PB910228		BEZEL I/W DISPENSER FULL OVERLAY
11	12268304		STOP FACADE
12	PB980026		SPILL TRAY - I/W DISPENSER
13	12221005		PAD ACTUATOR
14	M0215318		SCREW-SM
15	PK930145		CAP - BLACK SWITCH
16	PB910281		INSERT FACADE SXS DISPENSER
17	PD040071		NO.8-.437 O.D. FLAT WASHER SS
18	PD020193		SCR 8-18 X 3/8
19	PK030470		ARM ICE ACTUATOR
20	PC010022		SPRING RETURN ICE ACTUATOR
21	PM010625		SHROUD ICE DISPENSER BK
22	PD020194		SCREW-SM



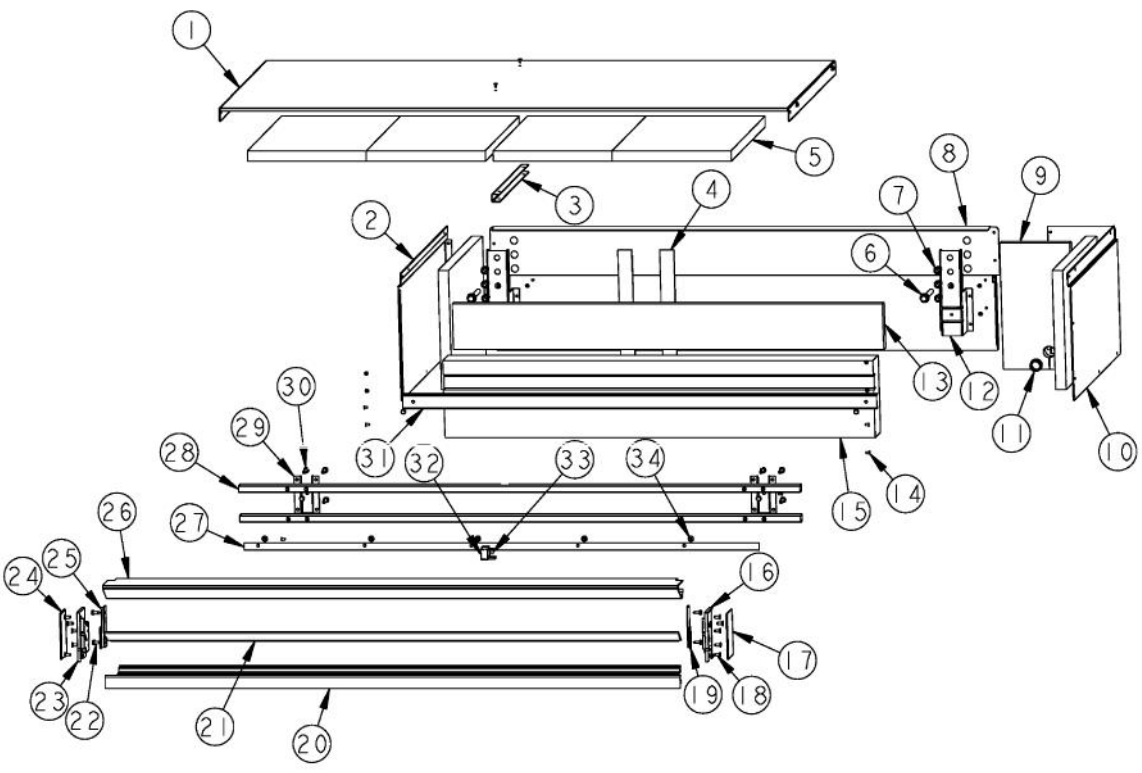
Ref #	Part Number	Qty.	Description
1	PC040010		POP RIVET
2	A3030361		GASKET, RED
3	K20915000		CONTROL BOX TOP
4	PE950149		SWITCH POWER
5	K2098654		BRACKET SWITCH POWER
6	K2099402		CONTROL BOX
7	M0104106		CLIP-CORD VM0104106
8	PD020194		SCREW-SM
9	A4554817		BUSHING-SNAP VA4554817
10	M0585504		SUPPORT
11	PF930672		LABEL DC COMPRESSOR
12	PE950172		OVERLAY SWITCH SXS 48 NON - DISP
13	PK930248		COVER PANEL 48 SXS
14	M0238846		SCREW-SHLDR
15	12064001		SUPP-CONT PANEL
16	PC040010		POP RIVET
17	M0224128		SCREW-SM
18	K20910061		CONTROL BOX FRONT
19	PD020013		TYPE AB NO.6 X 3/8 PH PAN HD. SMS
20	PE070728		BOARD LOW VOLTAGE
21	M0585506		SUPPORT
22	PE970463		POWER CONTROL BOARD
23	PM910325		FILM PROTECTIVE
24	K20910060		BRACKET - PC
25	M0288120		NUT-SPEED, VM0288120
26	PF930487		TECH LITERATURE LABEL - 2



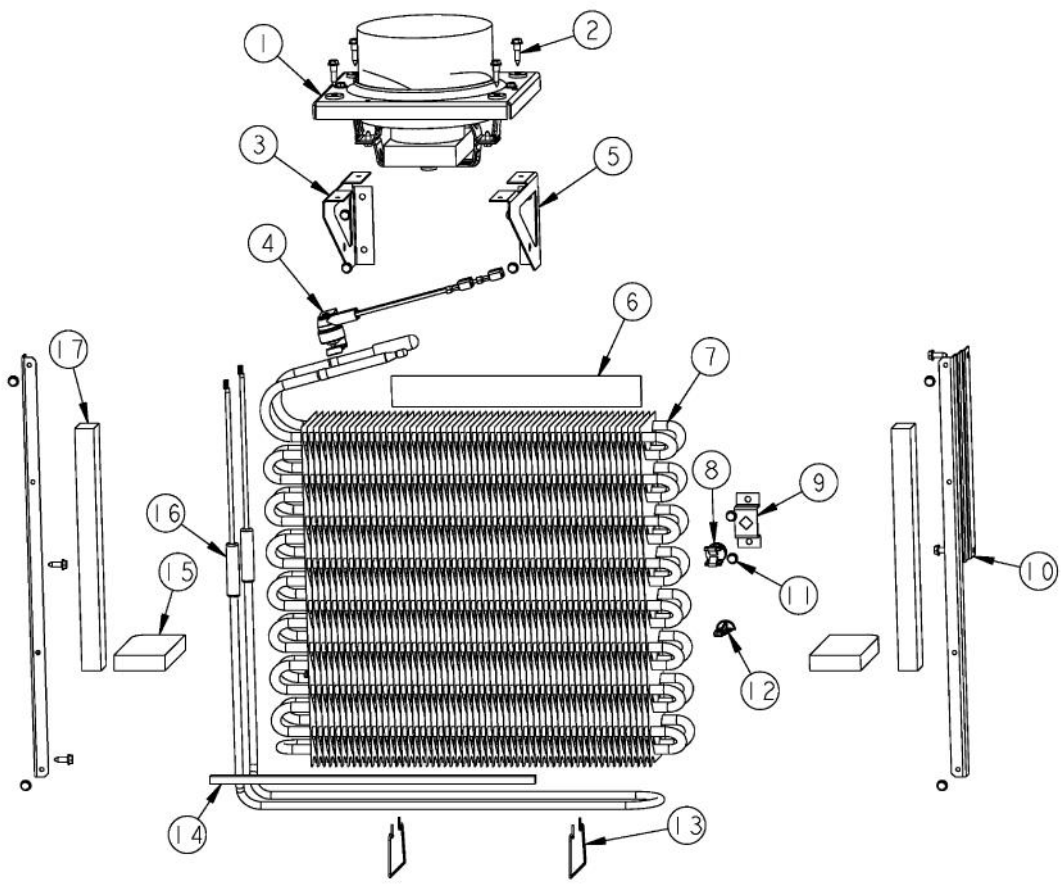
Ref #	Part Number	Qty.	Description
1	K20912569		BRACKET GRILLE SUPPORT
2	PB920201		ACCUMULATOR
3	10547001		CLIP-DRIER V10547001
4	F2097740		TUBE PROCESS
5	F2096504		TUBE-DRIER EXT
6	PB920171		CONDENSER ASM
7	G5096494		COND. FAN ASSY
8	F2096507		TUBE-PROCESS GRN
9	M0221523		SCREW - SHLDR
10	G5097976		COMPRESSOR ASSEMBLY (363 AND 483)
11	F2099443		TUBE DISCHARGE FORMED PRE ACCUM
12	000570-000		HEX SCREW
13	PC920203		HINGE ASM UR
14	PD030118		SCREW - SHLDR
15	M0104106		CLIP-CORD VM0104106
16	PD020195		SCR 8-18 X 5/8
17	M0103904		CLAMP-SPEED
18	PD020010		10 X 3/8 GREEN GROUNDING SCREW
19	PE070849		INVERTER
20	10835901		GROMMET RUBBER V10835901
21	PD020194		SCREW-SM
22	K2096943		PANEL BRACKET
23	M0104102		CLIP-CORD RED
24	PC920204		HINGE ASM UL
25	F2099444		TUBE DISCHARGE FORMED POST ACCUM
26	K2099454		BRACKET DRIER
27	10743201		DRIER, HI SIDE



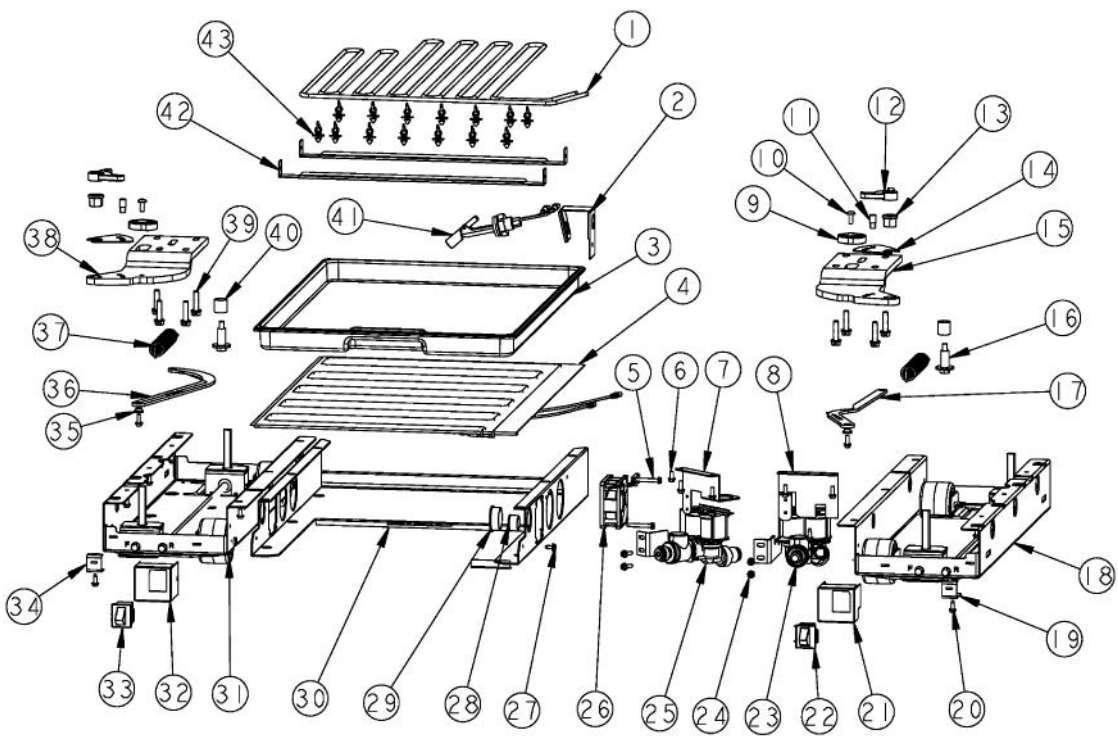
Ref #	Part Number	Qty.	Description
1	G32912580		GRILLE ASM SXS 48 FOL FOR BREAKDOWN SEE PAGE 016
2	PK920066		SIDE TRIM
3	10916507		TUBE-PROCESS GRN
4	M0210458		SCREW-SM
5	PK910123		SIDE TRIM - PRO
6	000152-002		KICKPLATE, LWR
7	C90910004BK		GRILLE TOE VENTED
8	M0210443		SCREW-E SM
9	40370P01		NYLON FLAT WASHER V40370P01
NI	G50915026		GRILLE TOE ASM SXS 48



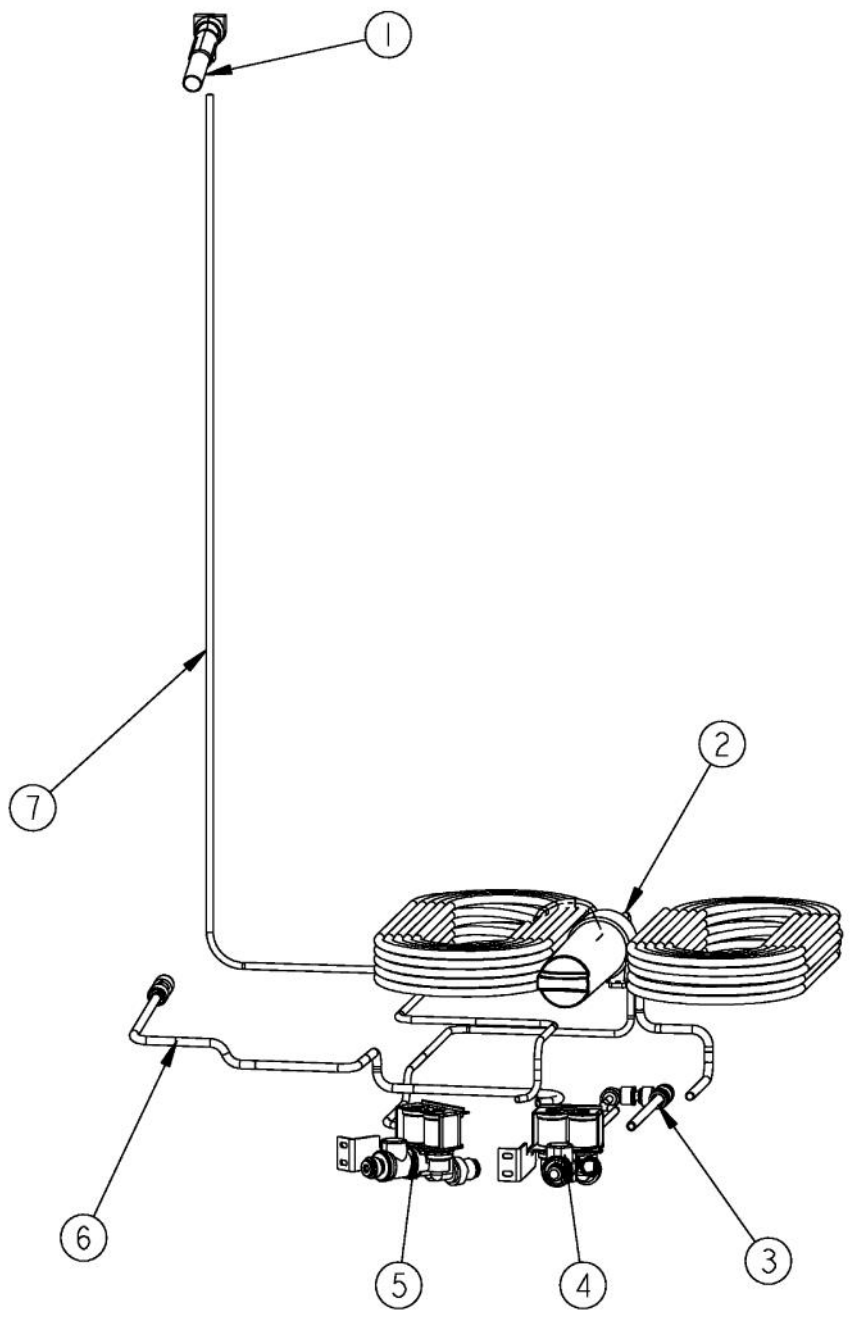
Ref #	Part Number	Qty.	Description
1	K20910007		MC TOP SXS 48
2	K2099460		MC SIDE L
3	K2099455		SUPPORT MC Z
4	A3188348		FOAM GASKET
5	PB070355		INSULATION MC COVER
6	PD020233		SCR LAG 5/16-9 GX 5/16X7/16 WAF IHXW 3 S ZN
7	PD040157		BEARING SLEEVE
8	K20910008		MC BACK SXS 48
9	PB970171		MC INSULATION - BACK SIDE
10	K2099459		MC SIDE R
11	A4554806		BUSHING-SNAP VA4554806
12	K20915675		BRACKET PSM
13	PB070362		INSULATION MC COVER
14	PC040010		POP RIVET
15	PB070363		INSULATION MC COVER
16	PM910348		ENP CAP GRILLE R
17	PM910072		COVER - END CAP 12119802
18	M0215318		SCREW-SM
19	K2099470		BRACKET GRILLE SUPPORT R
20	PM910366		GRILLE LOWER SXS 48 DES
21	PM910365		GRILLE CENTER SXS 48 DES
22	PD020194		SCREW-SM
23	PM910349		END CAP GRILLE L
24	PM910071		COVER - END CAP 12119801
25	K2099471		BRACKET GRILLE SUPPORT L
26	PM910364		GRILLE UPPER SXS 48 DES
27	PM910369		GRILLE EXTENSION SXS 48 FO
28	PM910507		GRILLE SPACER 48 FOL
29	PK050004		BRACKET GRILLE
30	M0213147		SCREW-SM
31	K20915904		CROSSMEMBER PSM 48
32	PM910084		SUPPORT GRILLE 12201201
33	M0230028		SCREW-TC
34	M0224128		SCREW-SM



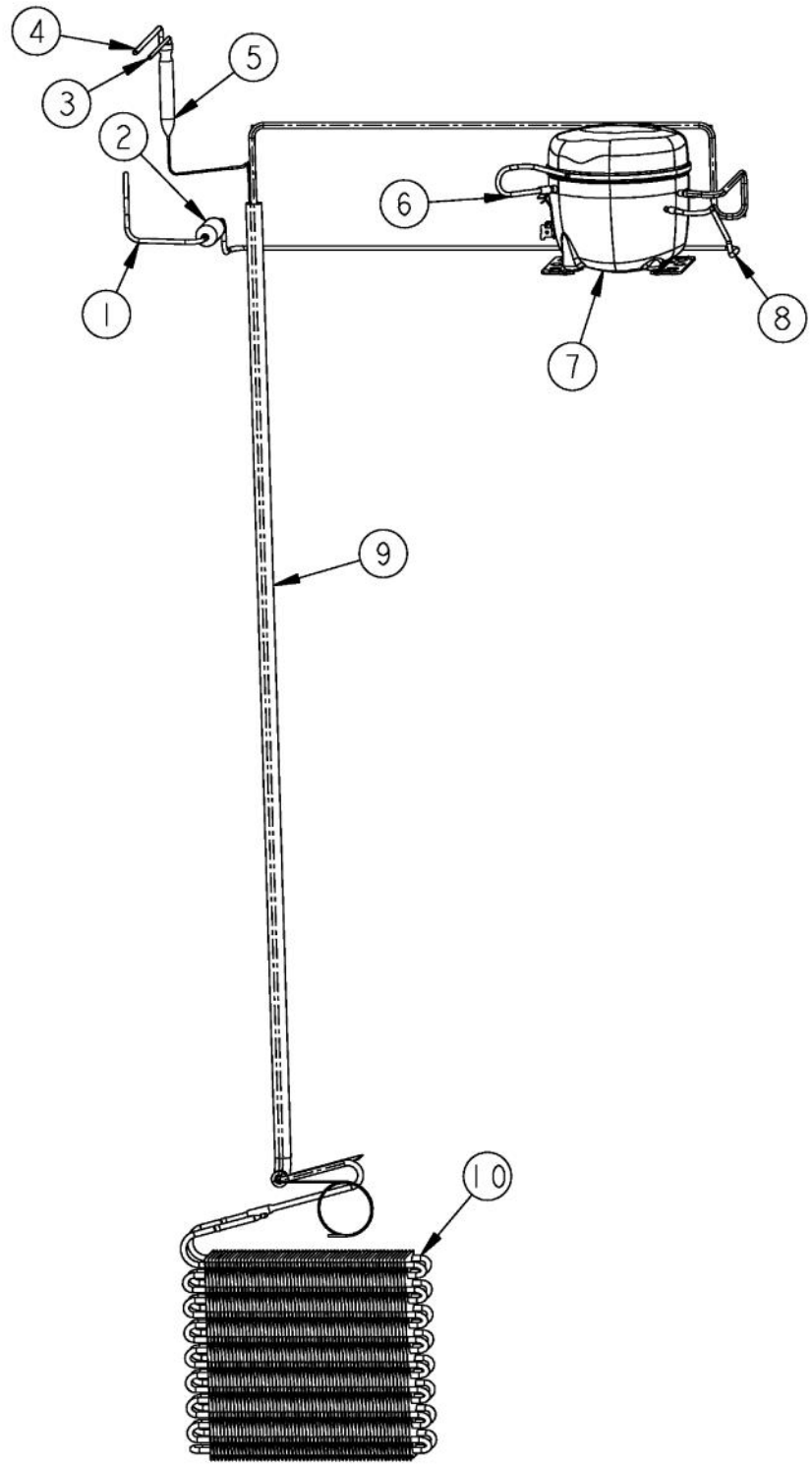
Ref #	Part Number	Qty.	Description
1	G5098660		FAN EVAP ASM
2	M0238859		SCREW-SHLDR
3	K2096458		BRKT-L-EVAP-FAN 12223102
4	PB910259		THERMOSTAT DEFROST TERMINATOR
5	K2096457		BRKT-R-EVAP FAN 12223101
6	A3189370		GASKET-FOAM VA3189370
7	PM910206		EVAPORATOR SXS 48
8	10623003		CLIP-EVAP
9	K2096456		BRKT-EVAP CLIP 12215101
10	K2096461		BRKT-EVAP COVER 12234801
11	PD020194		SCREW-SM
12	10527401		CLIP-EVAP
13	10428101		CLIP-EVAP HTR V10428101
14	A3030303		GASKET
15	10629001		BLOCK-R AIR COIL RED
16	PJ910031		HEATER EVAP SXS
17	A3030361		GASKET, RED



Ref #	Part Number	Qty.	Description
1	F20915693		SERPENTINE CONDENSER DRAIN ALL SXS'S
2	B20915627		BRACKET HORIZ FLOAT SWITCH
3	PK930348		PAN DRAIN
4	G50914125		TRAY PAN HEATER
5	PD020274		SCR SLTD HEX WSHR HD 8X1.250 BT
6	PD020010		10 X 3/8 GREEN GROUNDING SCREW
7	K20914175		BRACKET, DUAL VALVE, J.G. INLET
8	K20913790		BRKT VALVE H2O DUAL
9	PM010602		CAM DOOR ADJUSTMENT
10	PD020234		SCREW THP 10-32 X .500 SS BO
11	PC930145		DOOR STOP PIN
12	PD940091		BUSHING - DOOR STOP
13	PD940090		BUSHING - WC DOOR LEVEL
14	PC920144		PLATE - WC DOOR SHIM
15	PC920215		HINGE PLATE SXS LR
16	M0221523		SCREW - SHLDR
17	PC920166		BAR-WC BOT HINGE RH
18	PM910398		LEVELER ASSEMBLY - R
19	K2098044		BRKT GRILLE SUPPORT
20	PD020194		SCREW-SM
21	002667-000		SWITCH,GRILLE,MT,RH
22	PE950147		SWITCH SPST NC BLACK
23	PA070014		VALVE WATER DOUBLE COMP. INLET
24	M0220417		SCREW-TC
25	PA970010		SUB TO G50911843 - VALVE WATER
26	000731-000		AXIAL FAN
27	M0253916		SCREW-TF
28	A4554806		BUSHING-SNAP VA4554806
29	A4554817		BUSHING-SNAP VA4554817
30	K20915952		SHIELD BOTTOM DRAIN
31	PM910399		LEVELER MODULE L
32	002668-000		SWITCH,GRILLE,MT,LH
33	PE950146		SWITCH SPDT BLACK
34	K2098096		BRKT GRILLE SUPPORT
35	PD940094		BUSHING
36	PC920149		BAR-WC BOT HINGE LH
37	PC910015		SPRING EXTENSION
38	PC020289		HINGE PLATE LL
39	000570-000		HEX SCREW
40	PD940107		ROUND SPRING SPACER
41	PE050248		FLOAT SWITCH HORIZONTAL
42	K20911831		BRACKET CONDENSATE SUPPORT
43	PD030146		STAND OFF LOCK CLIP



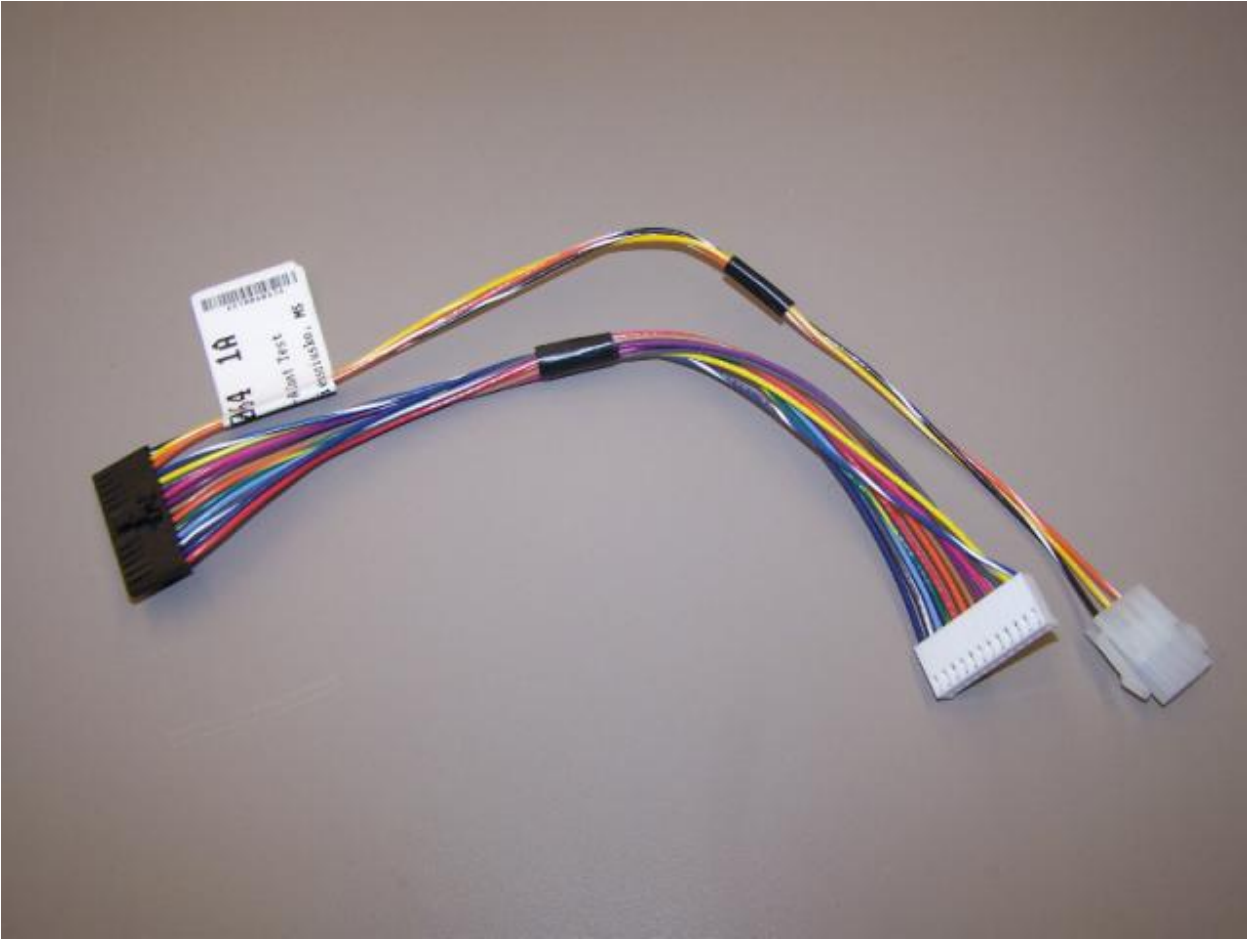
Ref #	Part Number	Qty.	Description
1	G5096419		FILL TUBE ASSY 10942511
2	PA030019		FILTER/COIL TUBE ASM
3	PB020322		TUBE AND FITTING ASM
4	PA070014		VALVE WATER DOUBLE COMP. INLET
5	PA970010		SUB TO G50911843 - VALVE WATER
6	PB020294		TUBE ASM-DOOR TO VALVE
7	PB020303		PLASTIC TUBING-IM WATERLINE SXS DISP
NI	PB020302		PLASTIC TUBING-DOOR WATERLINE SXS DISP



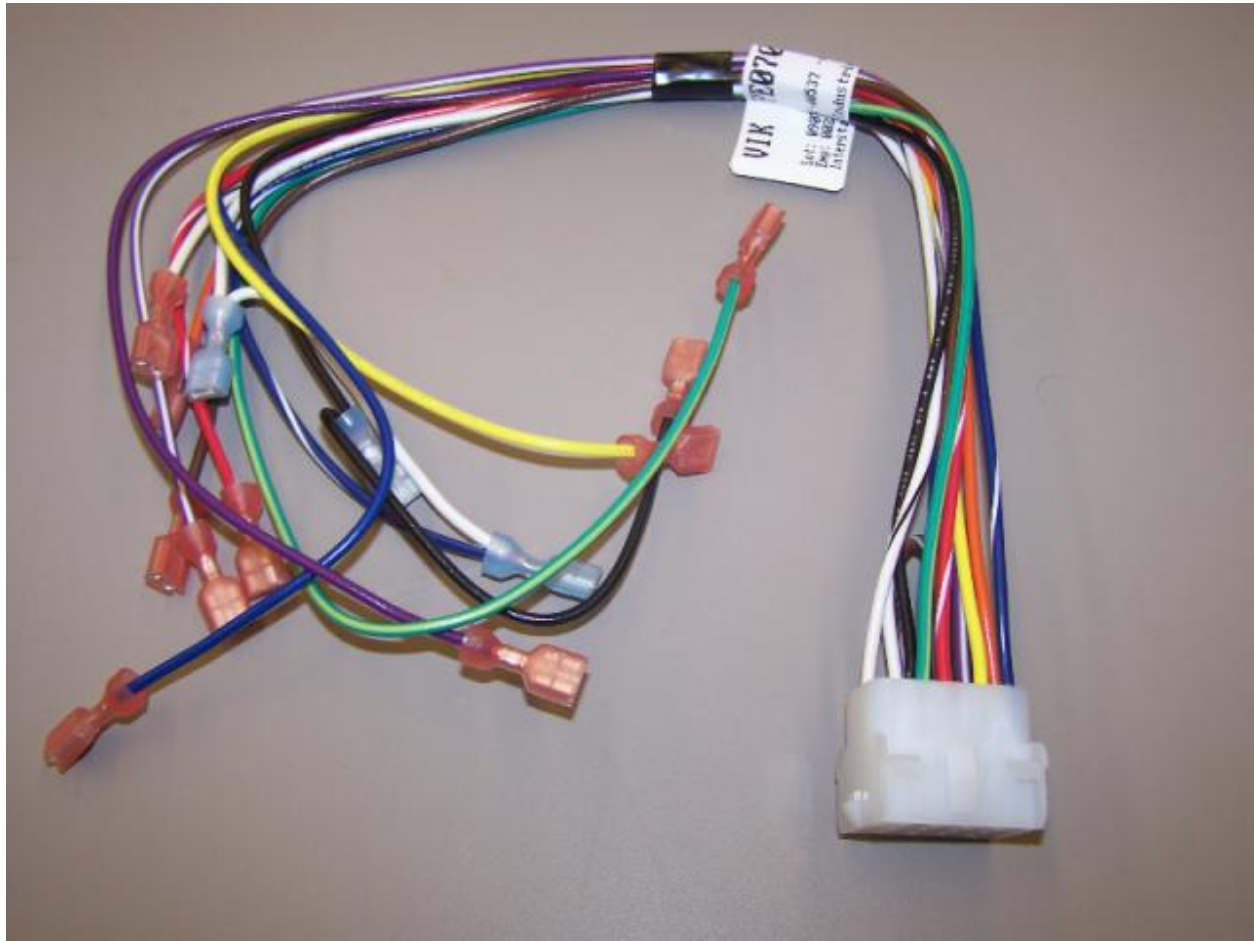
Ref #	Part Number	Qty.	Description
1	F2099444		TUBE DISCHARGE FORMED POST ACCUM
2	PB920201		ACCUMULATOR
3	F2096504		TUBE-DRIER EXT
4	F2097740		TUBE PROCESS
5	10743201		DRIER, HI SIDE
6	F2096507		TUBE-PROCESS GRN
7	G5097976		COMPRESSOR ASSEMBLY (363 AND 483)
8	F2099443		TUBE DISCHARGE FORMED PRE ACCUM
9	F20910021		HEAT EXCHANGER ASM SXS 48
10	PM910206		EVAPORATOR SXS 48



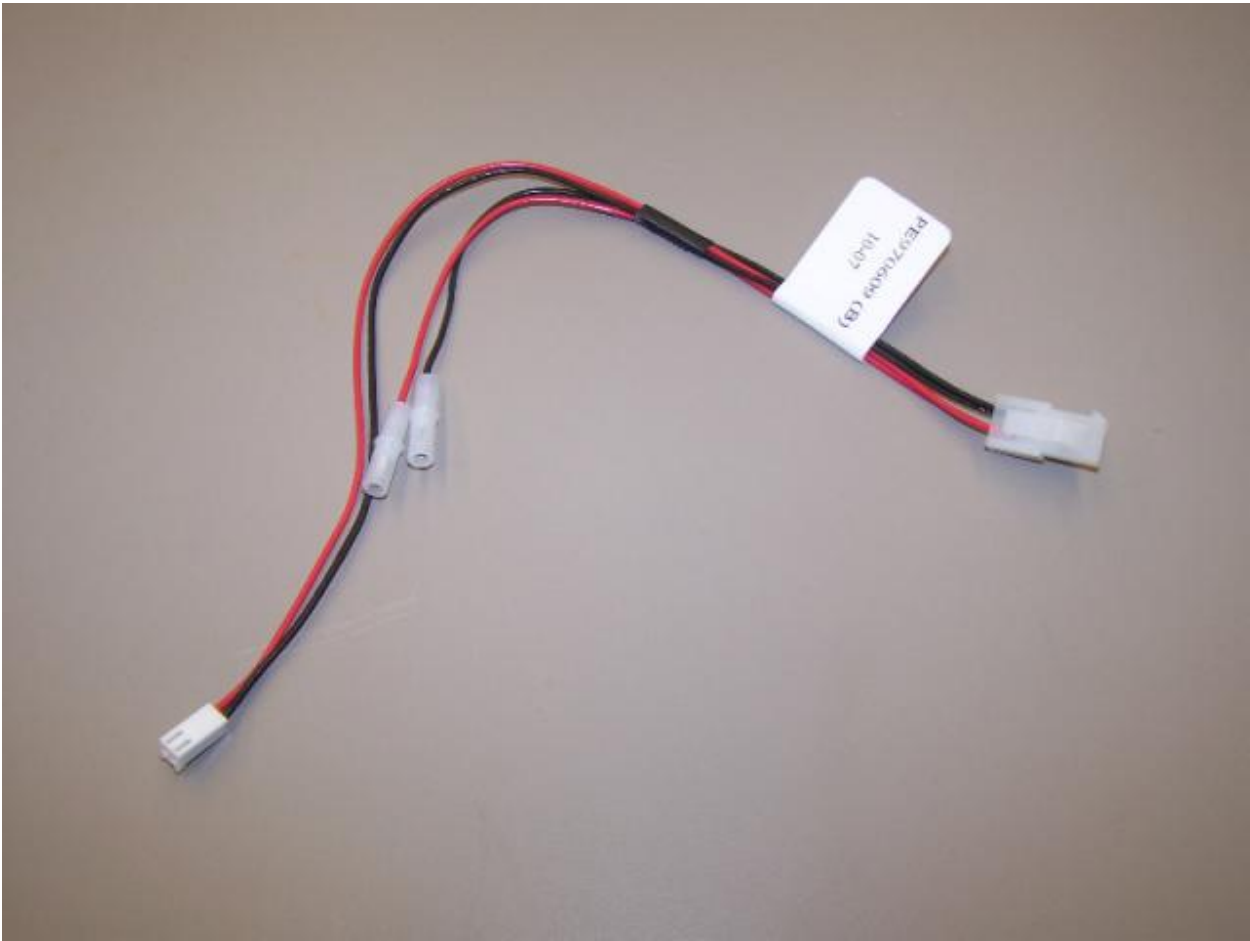
Ref #	Part Number	Qty.	Description
1	PE970595		HARNESS MACH SXS



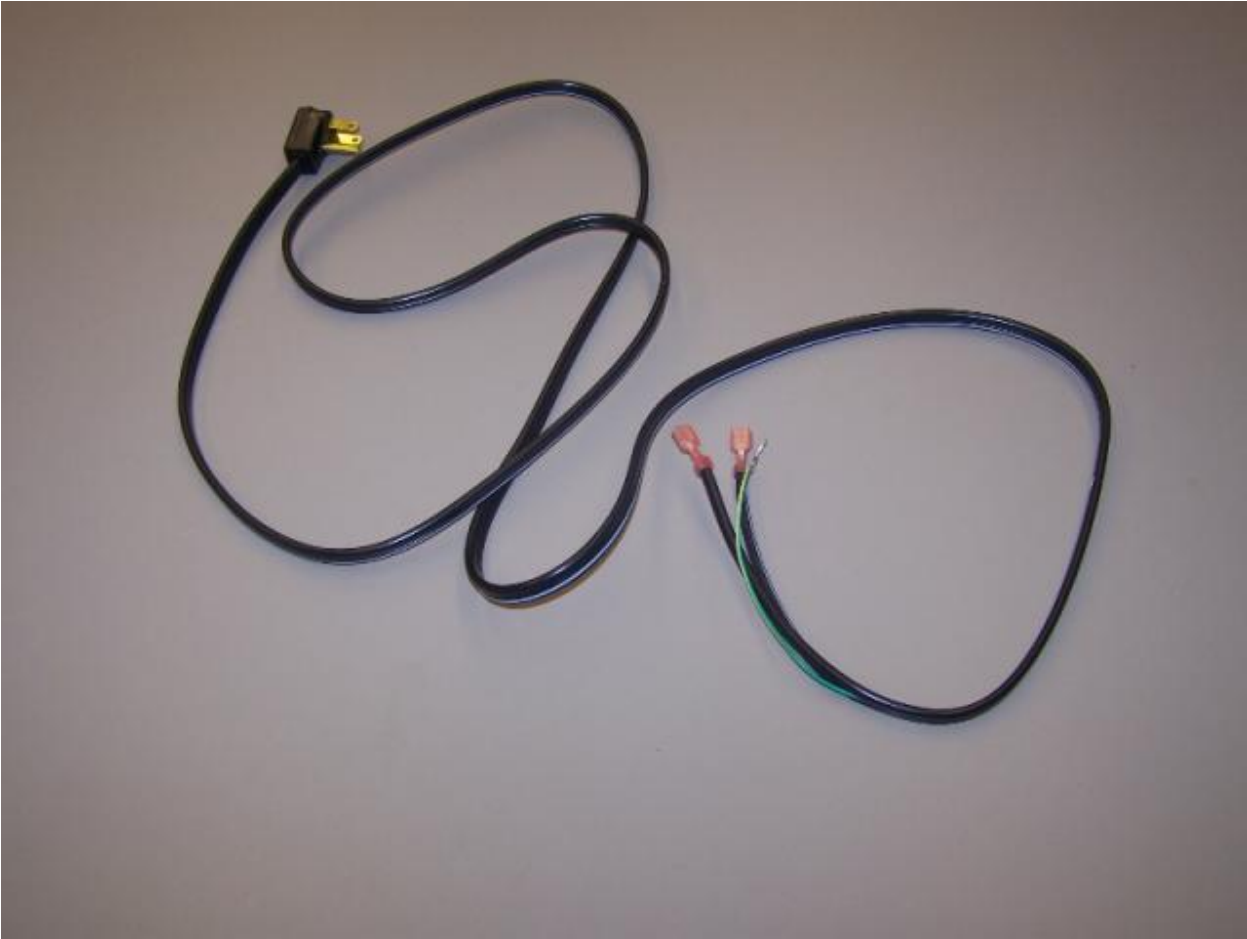
Ref #	Part Number	Qty.	Description
1	PE970464		HARNESS LOW VOLT



Ref #	Part Number	Qty.	Description
1	PE070785		HARNESS HIGH VOLT



Ref #	Part Number	Qty.	Description
1	PE970609		HARNESS CONTROL BOARD



Ref #	Part Number	Qty.	Description
1	10916507		TUBE-PROCESS GRN

*No Image
Available*

Ref #	Part Number	Qty.	Description
1	040078-000	1	HARNESS, JUMPER DISP CAVITY

*No Image
Available*

Ref #	Part Number	Qty.	Description
1	040066-000	1	HARNESS JUMPER LOWER

*No Image
Available*

Ref #	Part Number	Qty.	Description
1	040085-000	1	HARNESS, MAIN