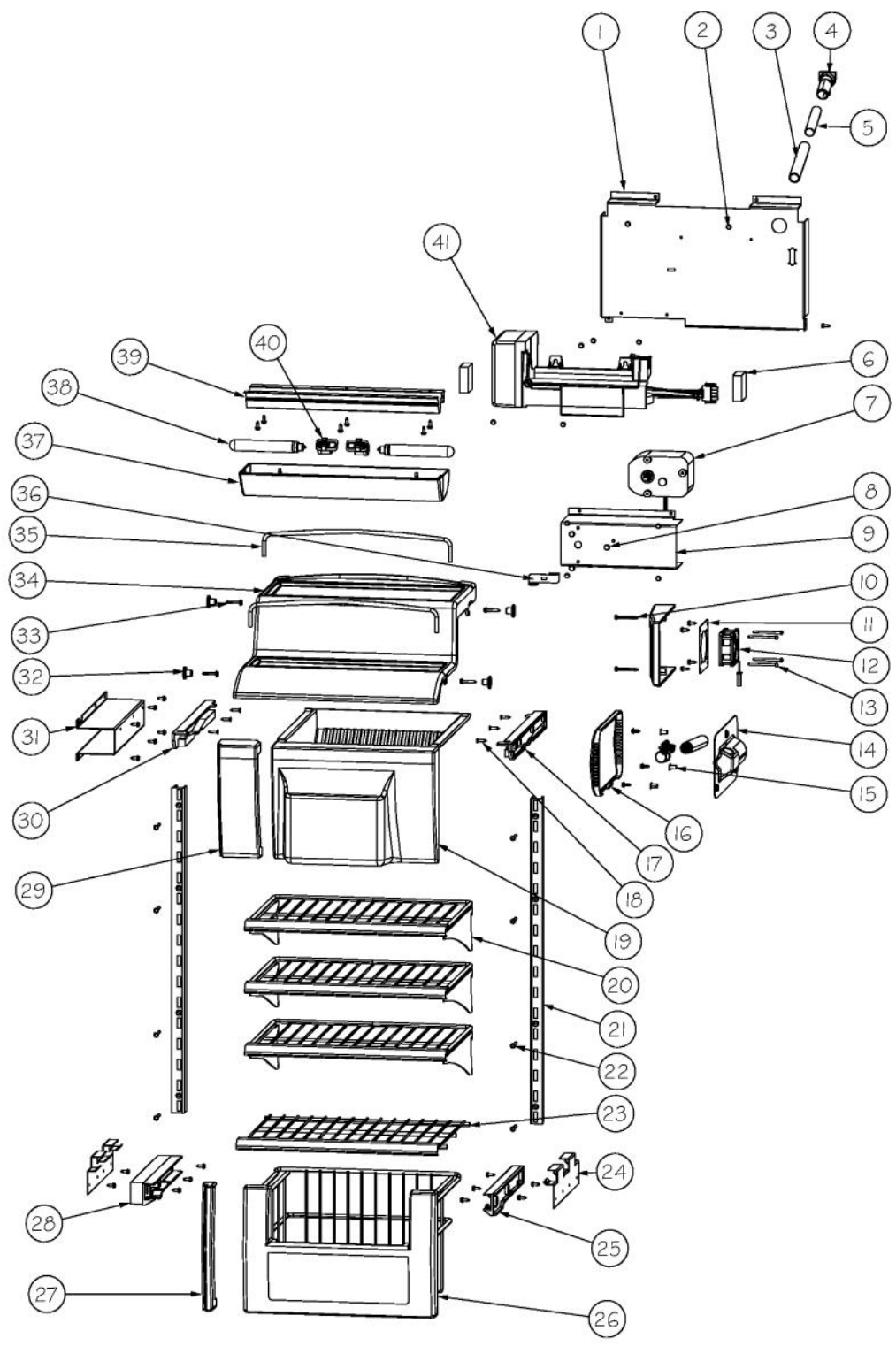
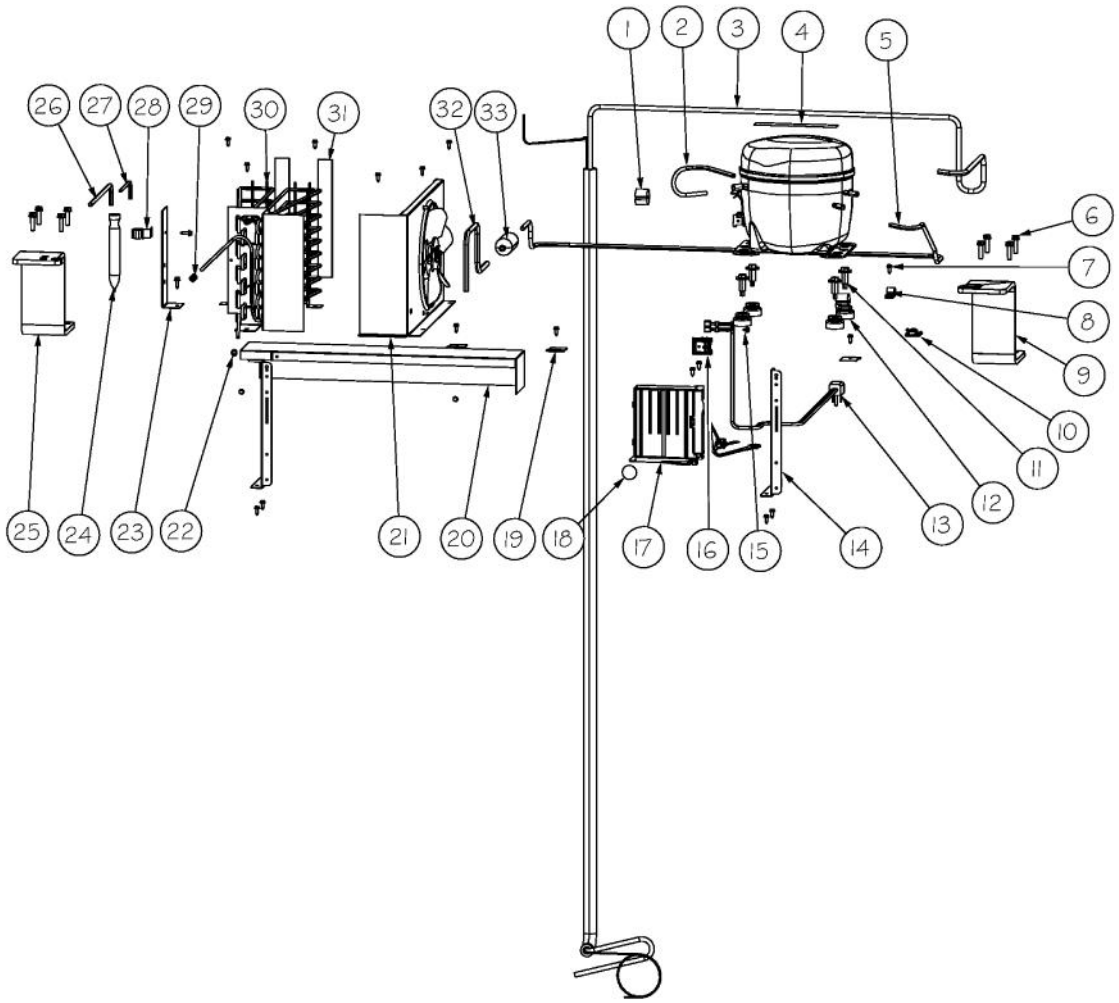


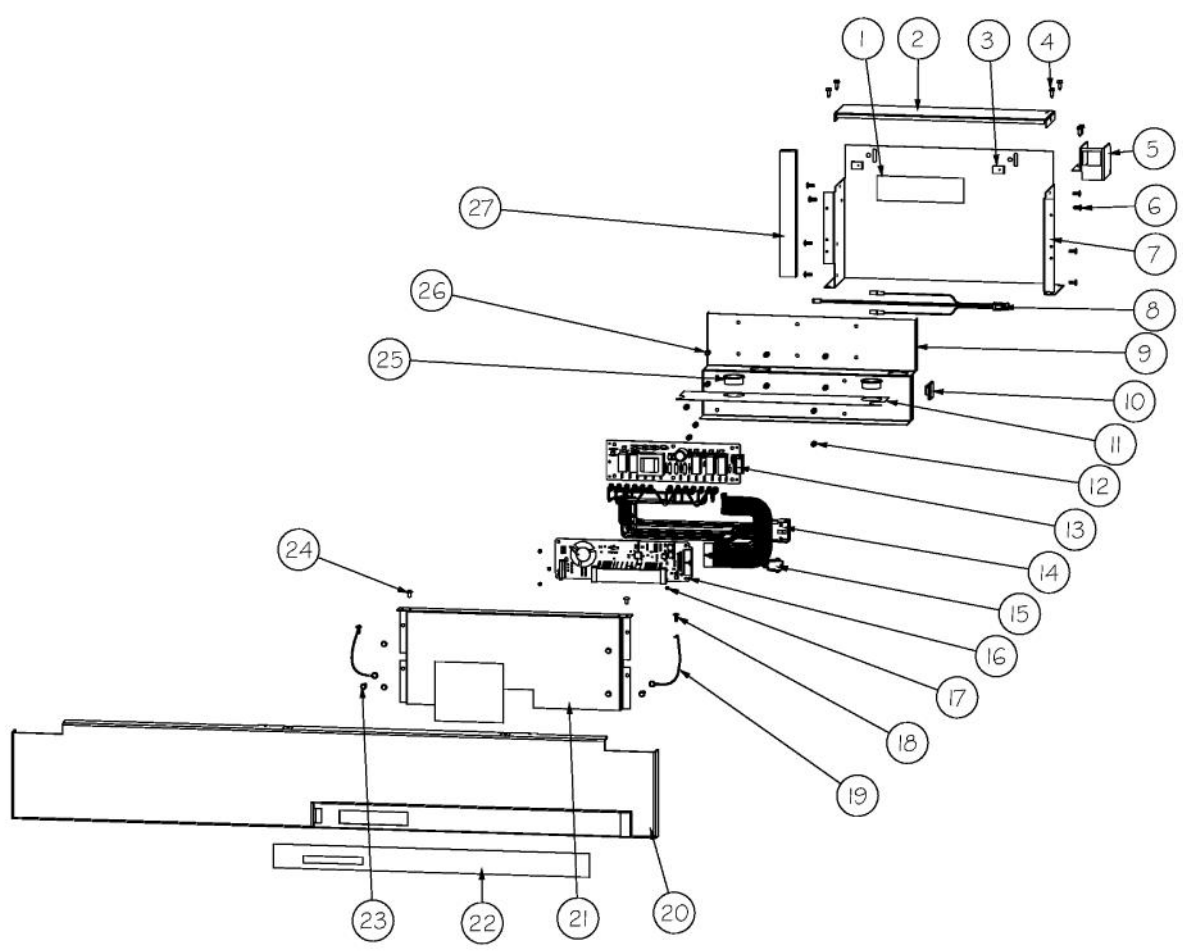
Ref #	Part Number	Qty.	Description
1	L2099474	1	BRACKET LIGHT SXS 42 FF
2	A3079001	3	LAMP - 40W
3	PE950125	3	LIGHT SOCKET
4	PD020195	24	SCR 8-18 X 5/8
5	PD020193	1	SCR 8-18 X 3/8
6	PK930115	1	COVER LIGHT ASM SXS 42 FF
7	PM910350	3	SHELF ASM GLASS SXS 42 FF
8	M0238535	12	SCREW-SM
9	G5099426	1	SHELF & SLIDE ASM SXS 42
10	G32910068	1	DRAWER DELI & RAIL ASM SXS 42
11	PM910227	2	LADDER RS REF
12	G5099965	1	SHELF AND SLIDE ASM SXS 42
13	012809-000	1	PRODUCE DRAWER & RAIL ASM SXS 42
14	PK930171	1	DUCT MEAT SAVOR SXS 42 REAR
15	M0211021	3	SCREW-SM
16	PK930169	1	DUCT MEAT SAVOR SXS 42/48 R
17	PK930172	1	COVER CONTROL MEAT SAVOR
18	PK930168	1	DIAL CONTROL MEAT SAVOR
19	PM910334	1	ROLLER TENSION
20	PK930173	1	SUPPORT SLIDE MEAT SAVOR SXS 42/48 R
21	PK930114	1	DRAWER MEAT SAVOR SXS 42
22	L2099251	1	FLOOR FALSE 42 SXS DISP
23	K20913096	2	BRACKET FALSE FLOOR
24	L20915031	1	COVER WATER FILTER 42/48 DISP
25	PK930237	1	COVER FALSE FRONT 42 SXS DISP
26	PD020032	4	SRW-8(A)X3/8PH.WFR HD 7/16DIAXNICL
27	PK930313	1	COVER WATER FILTER SXS DISP
28	PD020194	4	SCREW-SM
29	PK930176	1	SUPPORT DRAWER MEAT SAVOR 42/48 L
30	PM910288	1	SLIDE MEAT SAVOR L
31	PK930174	1	SUPPORT SLIDE MEAT SAVOR SXS 42/48 L
32	PK930170	1	DUCT MEAT SAVOR SXS 42 L
33	PD920162	2	SCR 8-16 PLASTITE PNP 1/4 S
34	009913-000	1	MEAT SAVOR DOOR 42/42D
35	PK930120	1	SHELF MEAT SAVOR SXS 42
36	PK930346	1	COVER LIGHT
37	M0580007	3	GROMMET-SCREW
38	10270203	1	HOUSING-LIGHT V10270203
39	007302-000	1	BRACKET,FAN
40	004551-000	1	AXIAL FAN
41	M0221913	4	SCREW-SM
42	C8983701	1	THERMISTOR
43	010093-000	1	PLASMA CLUSTER
44	012312-000	1	FAN COVER SXS
45	PD020188	2	SCR 8-18 BT HXWS 1 1/2



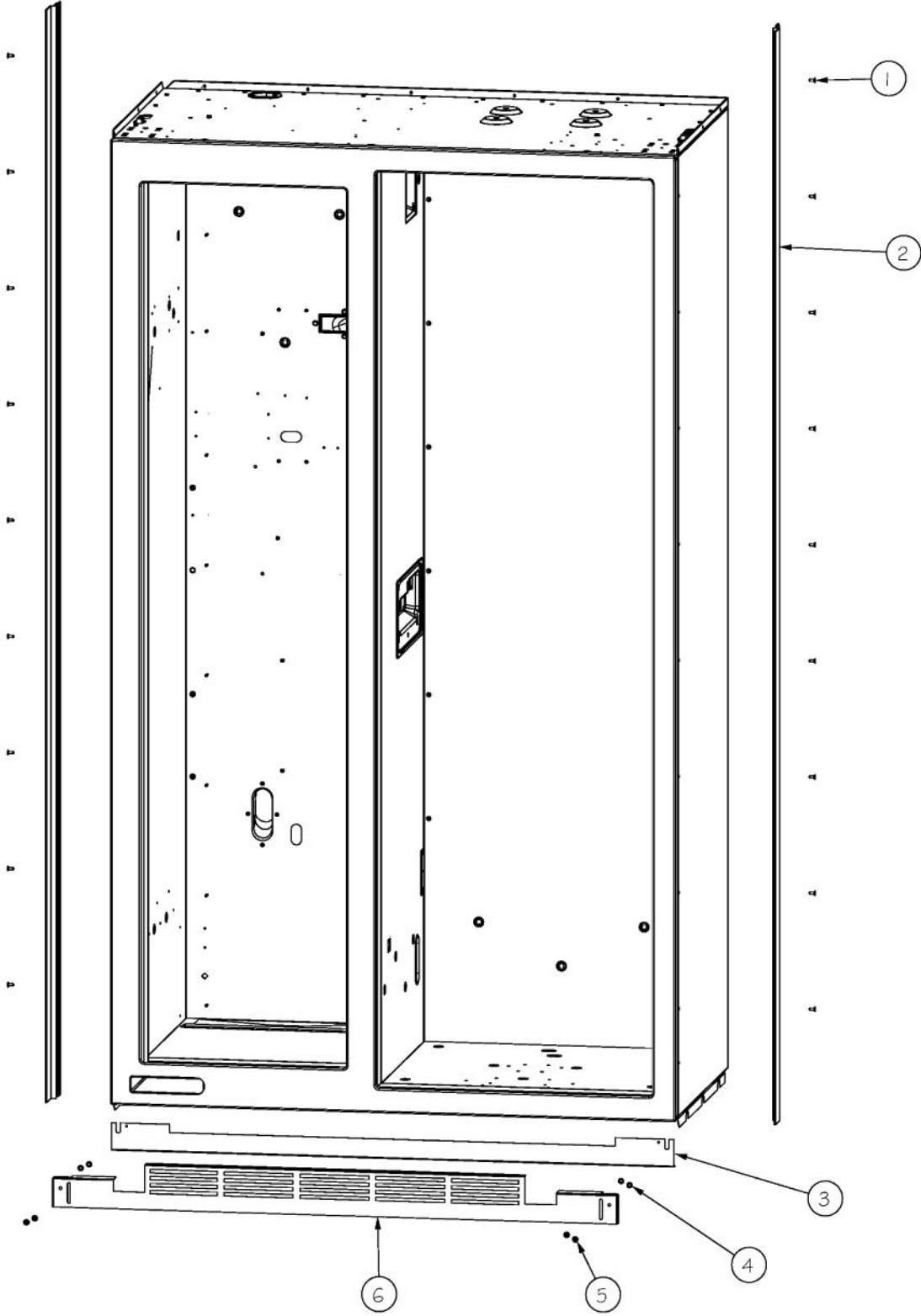
Ref #	Part Number	Qty.	Description
1	C90910058	1	UPPER EVAPORATOR COVER
2	PD020194	41	SCREW-SM
3	PB920220	1	EXT FILL TUBE
4	10276601	1	ELBOW-FILLER TUBE
5	PK030436	1	FILL TUBE
6	PB970176	2	GASKET UPPER EVAP COVER
7	PE950158	1	MOTOR AUGER
8	PD020191	1	SCR. NO.10 PLAS HXW 1/2 S
9	C90914113	1	BRACKET - AUGER MOTOR
10	PD020188	2	SCR 8-18 BT HXWS 1 1/2
11	007302-000	1	BRACKET,FAN
12	004551-000	1	AXIAL FAN
13	M0221913	4	SCREW-SM
14	10270203	1	HOUSING-LIGHT V10270203
15	M0580007	3	GROMMET-SCREW
16	PK930346	1	COVER LIGHT
17	PK930265	1	GLIDE R FZ
18	M0213503	6	SCREW-SM
19	PM910331	1	ICE BUCKET ASSY
20	PM910189	3	SHELF WIRE FZ
21	PM910375	2	LADDER R/L FZ
22	M0238535	6	SCREW-SM
23	PM910231	1	FZ FIXED BASKET ASSEMBLY
24	L20910067	2	FZ SHELF BRACKET
25	PK930074	1	GLIDE SXS 48 FZ R
26	PM910190	1	BASKET ASM FZ
27	PK930107	1	FZ BASKET SIDE SPACER FRONT
28	PK930075	1	GLIDE SXS 48 FZ L
29	PK930096	1	CLOSEOUT - ICE DISPENSER
30	PK930266	1	GLIDE L FZ
31	C20910027	1	SUPPORT, LS ICE BUCKET
32	12258501	4	SUPPORT-SHELF
33	M0211021	4	SCREW-SM
34	PK930264	1	SHELF COVER
35	PM910435	2	RETAINER WIRE
36	B20911863	1	DRIVER ? ICE BUCKET RNG
37	PK930116	1	COVER LIGHT ASM SXS 42 FZ
38	A3079001	3	LAMP - 40W
39	L2099475	1	BRACKET LIGHT SXS FZ
40	PE950125	3	LIGHT SOCKET
41	G50911855	1	ICE MAKER ASM, DISP



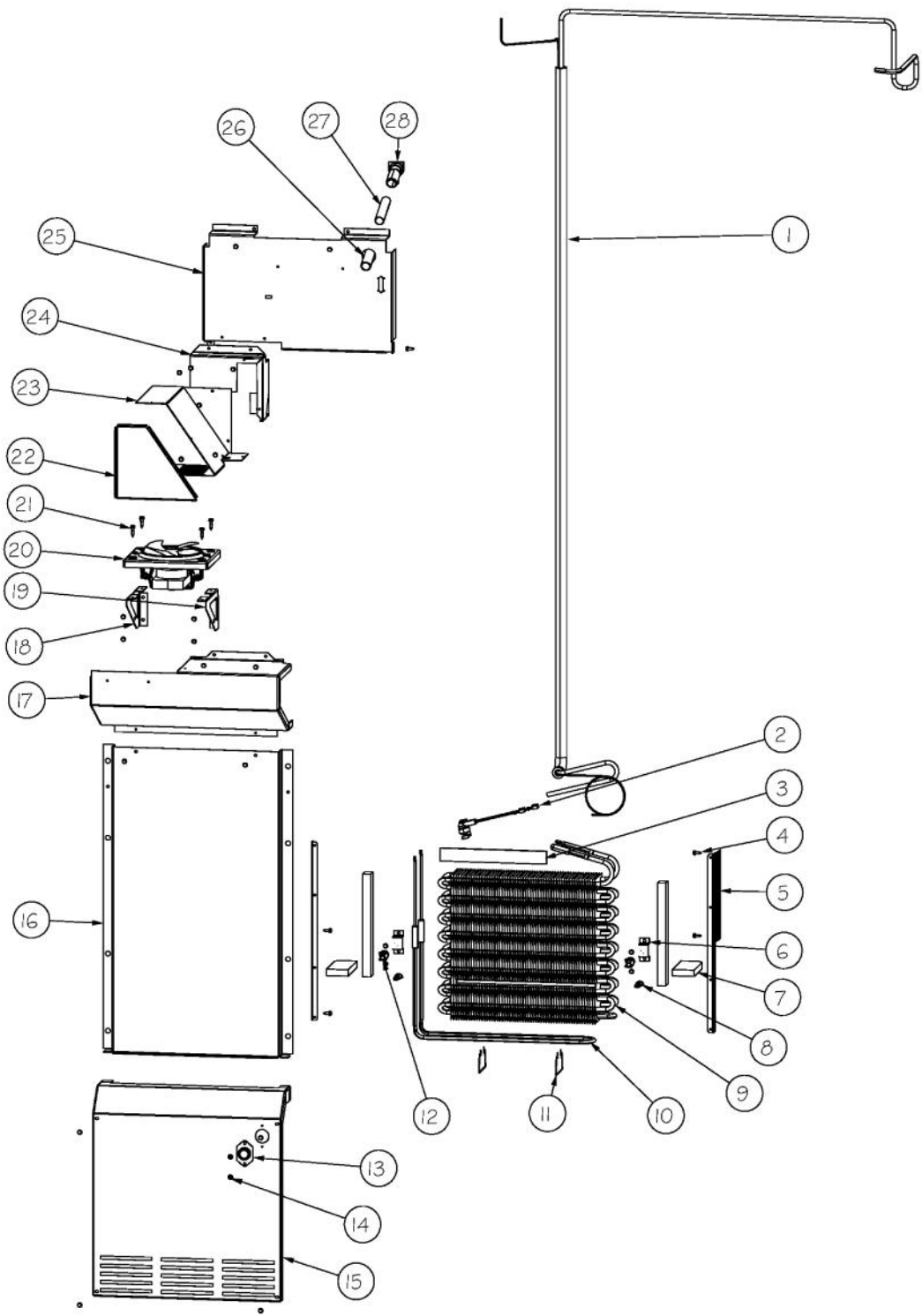
Ref #	Part Number	Qty.	Description
1	10699601	2	DAMPER-TUBING .8
2	F2096507	1	TUBE-PROCESS GRN
3	F2097793	1	TUBE FORMED HT EXCH
4	C8982701	1	LABEL-COMP WARN
5	F2099443	1	TUBE DISCHARGE FORMED PRE ACCUM
6	000570-000	8	HEX SCREW
7	PD020195	20	SCR 8-18 X 5/8
8	PD030118	1	SCREW - SHLDR
9	PC920203	1	HINGE ASM UR
10	M0104106	1	CLIP-CORD VM0104106
11	M0221523	4	SCREW - SHLDR
12	10835901	4	GROMMET RUBBER V10835901
13	10916507	1	TUBE-PROCESS GRN
14	K20912569	2	BRACKET GRILLE SUPPORT
15	M0211014	1	SCREW-SM
16	PE950149	1	SWITCH POWER
17	002574-000	1	INVERTER COMPRESSOR
18	PF930682	1	LABEL WARNING INVERTER
19	K2096943	3	PANEL BRACKET
20	K20912585	1	DIVERTER AIR HI SIDE SXS
21	G5096494	1	COND. FAN ASSY
22	007408-000	1	RING,LOK, .250 DIA
23	K2099454	1	BRACKET DRIER
24	PM910381	1	DRIER - HIGH SIDE
25	PC920193	1	HINGE ASSEM UPPER RH
26	F2097740	1	TUBE PROCESS
27	F2096504	1	TUBE-DRIER EXT
28	10547001	1	CLIP-DRIER V10547001
29	007407-000	1	RING,LOK, .187 DIA
30	PB920171	1	CONDENSER ASM
31	A3189370	2	GASKET-FOAM VA3189370
32	008093-000	1	TUBE EVACUTION
33	PB920201	1	ACCUMULATOR



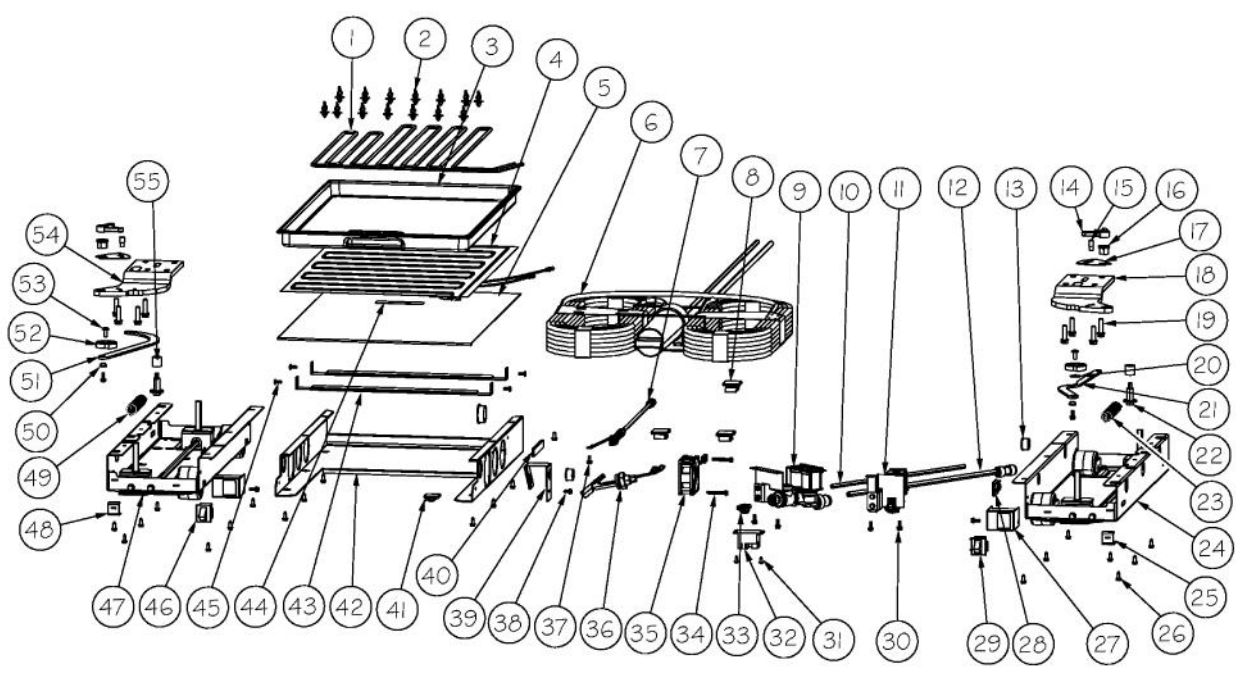
Ref #	Part Number	Qty.	Description
1	PF930672	2	LABEL DC COMPRESSOR
2	K20915000	1	CONTROL BOX TOP
3	M0288120	2	NUT-SPEED, VM0288120
4	PD020194	10	SCREW-SM
5	K2098654	1	BRACKET SWITCH POWER
6	PC040010	8	POP RIVET
7	K2099402	1	CONTROL BOX
8	PE970609	1	HARNESS CONTROL BOARD
9	K20910060	1	BRACKET - PC
10	M0104106	1	CLIP-CORD VM0104106
11	005396-000	1	FILM,PROTECTIVE
12	M0585506	5	SUPPORT
13	005319-000	1	POWER CONTROL BOARD ASM
14	PE070785	1	HARNESS HIGH VOLT
15	PE970464	1	HARNESS LOW VOLT
16	PE070728	1	BOARD LOW VOLTAGE
17	PD020013	5	TYPE AB NO.6 X 3/8 PH PAN HD. SMS
18	PC040010	1	POP RIVET
19	12064001	2	SUPP-CONT PANEL
20	PK930230	1	CONTROL PANEL SXS 42
21	K20910061	1	CONTROL BOX FRONT
22	010488-000	1	OVERLAY SWITCH SXS 42 DISP
23	M0238846	2	SCREW-SHLDR
24	M0224128	2	SCREW-SM
25	A4554817	2	BUSHING-SNAP VA4554817
26	M0585504	6	SUPPORT
27	A3030361	1	GASKET, RED



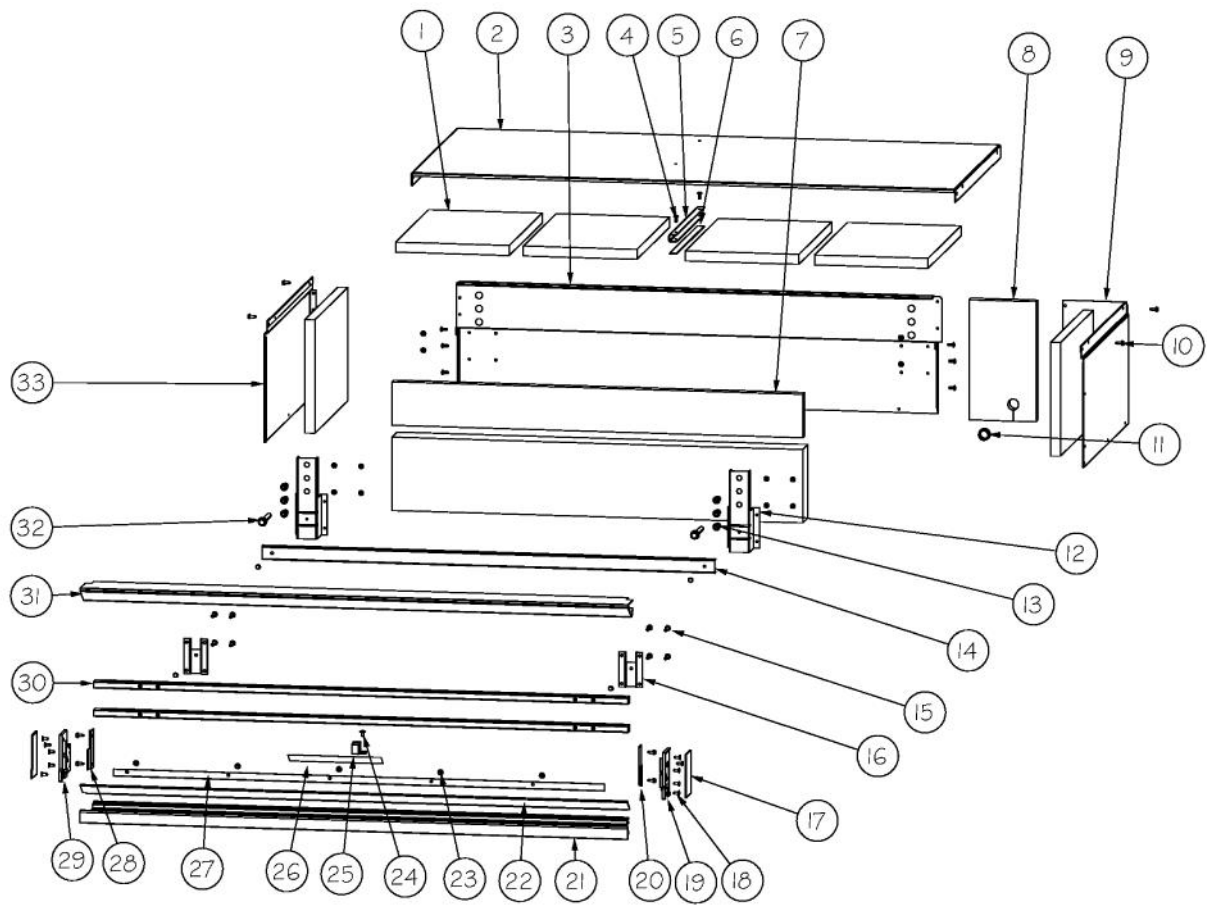
Ref #	Part Number	Qty.	Description
1	M0215318	18	SCREW-SM
2	PK920066	2	SIDE TRIM
3	000207-002	1	KICKPLATE, LWR
4	40370P01	4	NYLON FLAT WASHER V40370P01
5	M0210443	4	SCREW-E SM
6	C9097789BK	1	GRILLE TOE VENTED BK



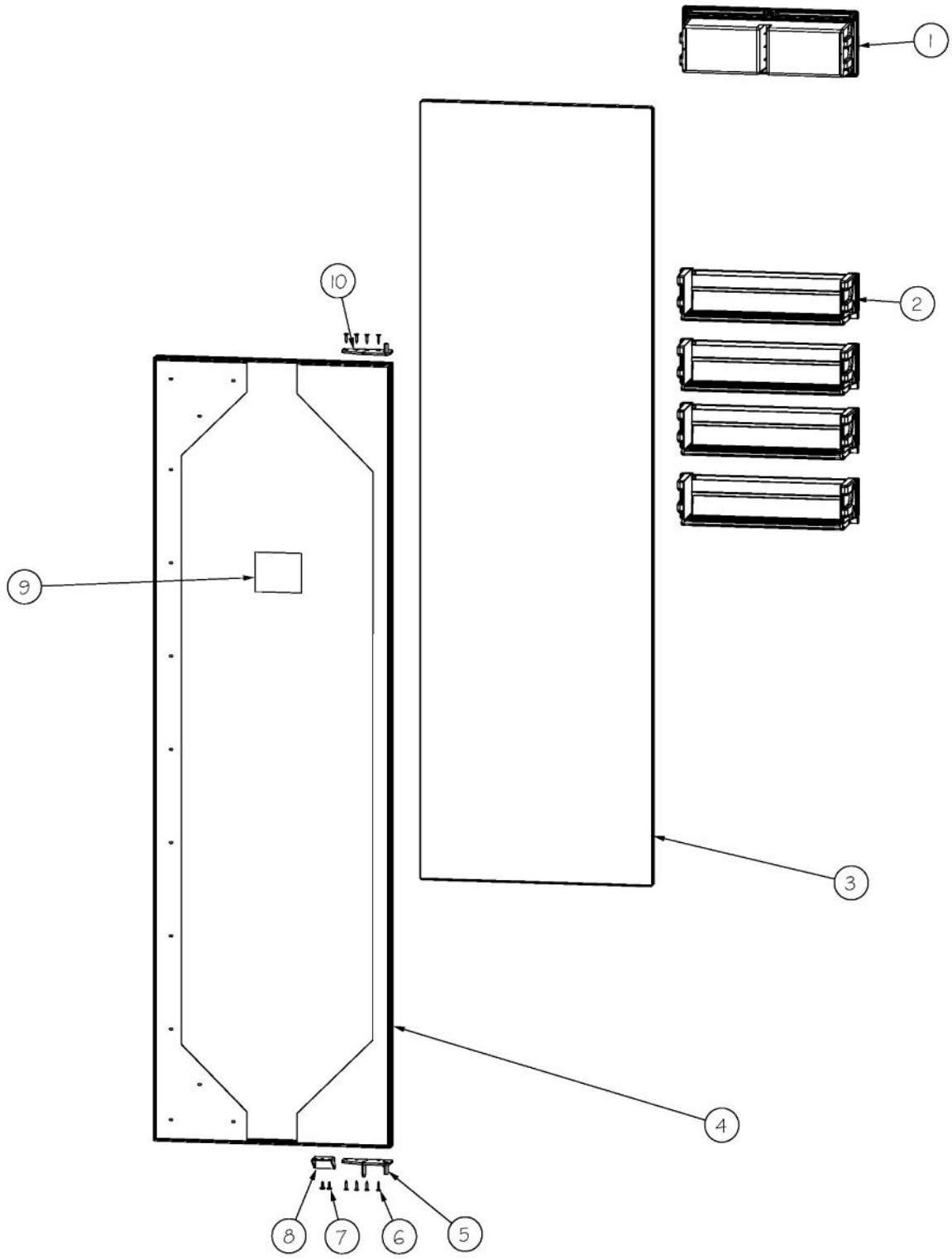
Ref #	Part Number	Qty.	Description
1	F2097793	1	TUBE FORMED HT EXCH
2	PB910259	1	THERMOSTAT DEFROST TERMINATOR
3	A3189370	3	GASKET-FOAM VA3189370
4	PD020194	26	SCREW-SM
5	K2096461	2	BRKT-EVAP COVER 12234801
6	K2096456	2	BRKT-EVAP CLIP 12215101
7	10629001	2	BLOCK-R AIR COIL RED
8	10527401	2	CLIP-EVAP
9	PM910206	1	EVAPORATOR SXS 48
10	PJ910031	1	HEATER EVAP SXS
11	10428101	2	CLIP-EVAP HTR V10428101
12	10623003	1	CLIP-EVAP
13	C89837	1	THERMISTOR
14	M0211014	1	SCREW-SM
15	L20910054	1	COVER LOWER EVAP
16	L2097577	1	COVER - CTR EVAP
17	L2098028	1	COVER EVAP MOTOR
18	K2096458	1	BRKT-L-EVAP-FAN 12223102
19	K2096457	1	BRKT-R-EVAP FAN 12223101
20	G5098660	1	FAN EVAP ASM
21	M0238859	4	SCREW-SHLDR
22	L20910075	1	COVER EVAP FAN
23	L20914114	1	FAN COVER
24	L20914115	1	FAN BRACKET
25	C90910058	1	UPPER EVAPORATOR COVER
26	PB920220	1	EXT FILL TUBE
27	PK030436	1	FILL TUBE
28	10276601	1	ELBOW-FILLER TUBE



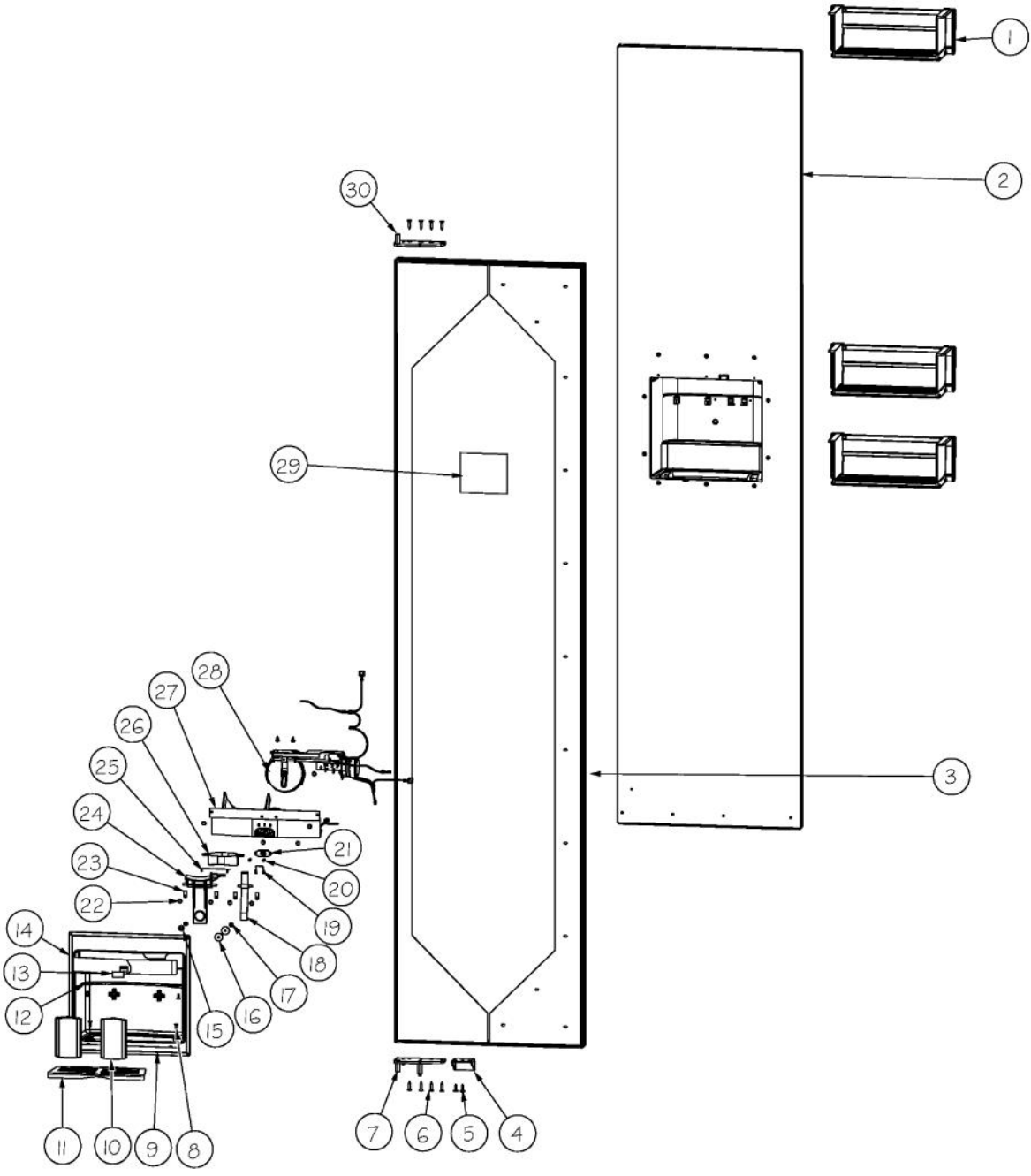
Ref #	Part Number	Qty.	Description
1	F20915693	1	SERPENTINE CONDENSER DRAIN ALL SXS'S
2	PD030146	14	STAND OFF LOCK CLIP
3	PK930348	1	PAN DRAIN
4	PE070707	1	PAN HEATER
5	L20914124WH	1	TRAY PAN HEATER
6	PA030019	1	FILTER/COIL TUBE ASM
7	040066-000	1	HARNESS JUMPER LOWER
8	M0104102	3	CLIP-CORD RED
9	G32914174	1	BRKT & VALVE J.G. INLET ASM
10	PB020303	1	PLASTIC TUBING-IM WATERLINE SXS DISP
11	G32915704	1	BRKT AND VALVE SINGLE ASM DISP
12	PB020294	1	TUBE ASM-DOOR TO VALVE
13	A4554806	2	BUSHING-SNAP VA4554806
14	PD940091	2	BUSHING - DOOR STOP
15	PC920145	2	PIN - DOOR STOP
16	PD940090	2	BUSHING - WC DOOR LEVEL
17	PC920144	2	PLATE - WC DOOR SHIM
18	PC920215	1	HINGE PLATE SXS LR
19	000570-000	8	HEX SCREW
21	PC920166	1	BAR-WC BOT HINGE RH
22	M0221523	2	SCREW - SHLDR
23	003867-000	1	SPRING EXTENSION
24	PM910398	1	LEVELER ASSEMBLY - R
25	K2098044	1	BRKT GRILLE SUPPORT
26	PD020194	20	SCREW-SM
27	014334-000	2	BRACKET,LT,SWITCH
28	M0104106	2	CLIP-CORD VM0104106
29	PE950147	1	SWITCH SPST NC BLACK
30	M0220417	8	SCREW-TC
31	M0217204	2	SCREW, SM
32	014808-000	1	RELAY,WATER VALVE
33	PB020301	1	STEM ELBOW 1/4
34	PD020274	2	SCR SLTD HEX WSHR HD 8X1.250 BT
35	000731-000	1	AXIAL FAN
36	PE050248	1	FLOAT SWITCH HORIZONTAL
37	PD020010	2	10 X 3/8 GREEN GROUNDING SCREW
38	M0253916	1	SCREW-TF
39	B20915627	1	BRACKET HORIZ FLOAT SWITCH
40	PF930654	1	LABEL CONDENSATE FAN SERVICE
41	A4554817	1	BUSHING-SNAP VA4554817
42	K20915952	1	SHIELD BOTTOM DRAIN
43	K20911831	2	BRACKET CONDENSATE SUPPORT
44	PF031267	1	LABEL HEATER PAN
45	PC040010	4	POP RIVET
46	PE950146	1	SWITCH SPDT BLACK
47	PM910399	1	LEVELER MODULE L
48	K2098096	1	BRKT GRILLE SUPPORT
49	PC910015	1	SPRING EXTENSION
50	PD940094	2	BUSHING
51	PC920149	1	BAR-WC BOT HINGE LH
52	PM010602	2	CAM DOOR ADJUSTMENT
53	PD020234	2	SCREW THP 10-32 X .500 SS BO
54	PC020289	1	HINGE PLATE LL
55	PD940107	2	ROUND SPRING SPACER



Ref #	Part Number	Qty.	Description
1	PB070355	6	INSULATION MC COVER
2	K2099458	1	MC TOP SXS 42
3	K2099461	1	MC BACK 42
4	PC040010	19	POP RIVET
5	K2099455	1	SUPPORT MC Z
6	G50915900	1	MC COVER BI 42
7	PB070360	2	INSULATION MC COVER
8	PB970171	1	MC INSULATION - BACK SIDE
9	K2099459	1	MC SIDE R
10	PD020194	12	SCREW-SM
11	A4554806	1	BUSHING-SNAP VA4554806
12	K20915675	2	BRACKET PSM
13	PD040157	4	BEARING SLEEVE
14	K20915903	1	CROSSMEMBER PSM 42
15	M0224128	8	SCREW-SM
16	PK050004	2	BRACKET GRILLE
17	PM910072	2	COVER - END CAP 12119802
18	M0215318	10	SCREW-SM
19	PM910348	1	ENP CAP GRILLE R
20	K2099470	1	BRACKET GRILLE SUPPORT R
21	PM910306	1	GRILLE LOWER SXS 42 DES
22	PM910305	1	GRILLE CENTER SXS 42 DES
23	M0224128	5	SCREW-SM
24	M0230028	1	SCREW-TC
25	PM910084	1	SUPPORT GRILLE 12201201
26	PF930523	1	GRILL BLADE LABEL (REFRIGERATOR)
27	PM910309	1	GRILLR EXTENSION SXS 42 FO
28	K2099471	1	BRACKET GRILLE SUPPORT L
29	PM910349	1	END CAP GRILLE L
30	PM910506	2	GRILLE SPACER 42 FOL
31	PM910304	1	GRILLE UPPER SXS 42 DES
32	PD020233	1	SCR LAG 5/16-9 GX 5/16X7/16 WAF IHXW 3 S ZN
33	K2099460	1	MC SIDE L



Ref #	Part Number	Qty.	Description
1	PK930123	1	DAIRY MODULE ASM SXS 42
2	G5098675	4	DOORBIN ASM SXS 42 FF
3	G3098621	1	PAN WELD ASM SXS 42 FF
4	008753-000	1	DOOR ASM COMPLETE SXS 42 FOL FF
5	016179-000	1	PIVOT PL ASM RH LW FOL
6	PD920174	5	10-32 TORX HEAD SCREW
7	M0210458	1	SCREW-SM
8	PD050019	1	STRIKER DOOR SWITCH
9	PF931036	1	LABEL FOL DOOR BOW
10	033785-000	1	PIVOT PLATE ASM RH UP FOL SXS, AFAR



Ref #	Part Number	Qty.	Description
1	G5098676	3	DOORBIN ASM SXS 42 & 48 FZ
2	016263-000	1	DOOR ASM 42D FZ
3	008761-000	1	DOOR ASM COMPLETE SXS 42 FOL FZ
4	PD050019	1	STRIKER DOOR SWITCH
5	M0210458	2	SCREW-SM
6	PD920174	8	10-32 TORX HEAD SCREW
7	016180-000	1	PIVOT PL AS LH LW FOL
8	M0215318	4	SCREW-SM
9	013681-000	1	BEZEL,DES, I/W DISPENSER
10	011678-000	2	PAD ACTUATOR
11	015166-000	1	TRAY,SPILL, DES, I/W DISPENSER
12	013686-000	1	STOP, E FACADE
13	013685-000	1	CAP, SWITCH
14	015156-000	1	INSERT,FACADE,DES, I/W DISPENSER
15	PD040071	1	NO.8-.437 O.D. FLAT WASHER SS
16	M0270546	2	WASHER
17	M0210443	2	SCREW-E SM
18	PK930404	1	ARM WATER ACTUATOR
19	B8385402	1	SPRING-RETURN
20	003334-000	2	SCR, NO.4-24 X 1/2
21	PE950152	1	SWITCH SLIDE
22	PD020193	11	SCR 8-18 X 3/8
23	B10910081	4	DISP RETAINER ICE ARM
24	PK030470	1	ARM ICE ACTUATOR
25	PC010022	1	SPRING RETURN ICE ACTUATOR
26	013684-000	1	SHROUD, I/W DISPENSER
27	PE070755	1	DISPENSER CAVITY ASSEMBLY
28	G50914150	1	ICE DISPENSER MODULE ASM
29	PF931036	1	LABEL FOL DOOR BOW
30	031379-000	1	PIVOT PLATE ASM LH UP FOL SXS, AFAR

*No Image
Available*

Ref #	Part Number	Qty.	Description
NI	PE970464	1	HARNESS LOW VOLT
NI	015365-000	1	HARNESS HIGH VOLT
NI	PE070728	1	BOARD LOW VOLTAGE
NI	PE970609	1	HARNESS CONTROL BOARD
NI	040085-000	1	HARNESS, MAIN
NI	040078-000	1	HARNESS, JUMPER DISP CAVITY
NI	040066-000	1	HARNESS JUMPER LOWER