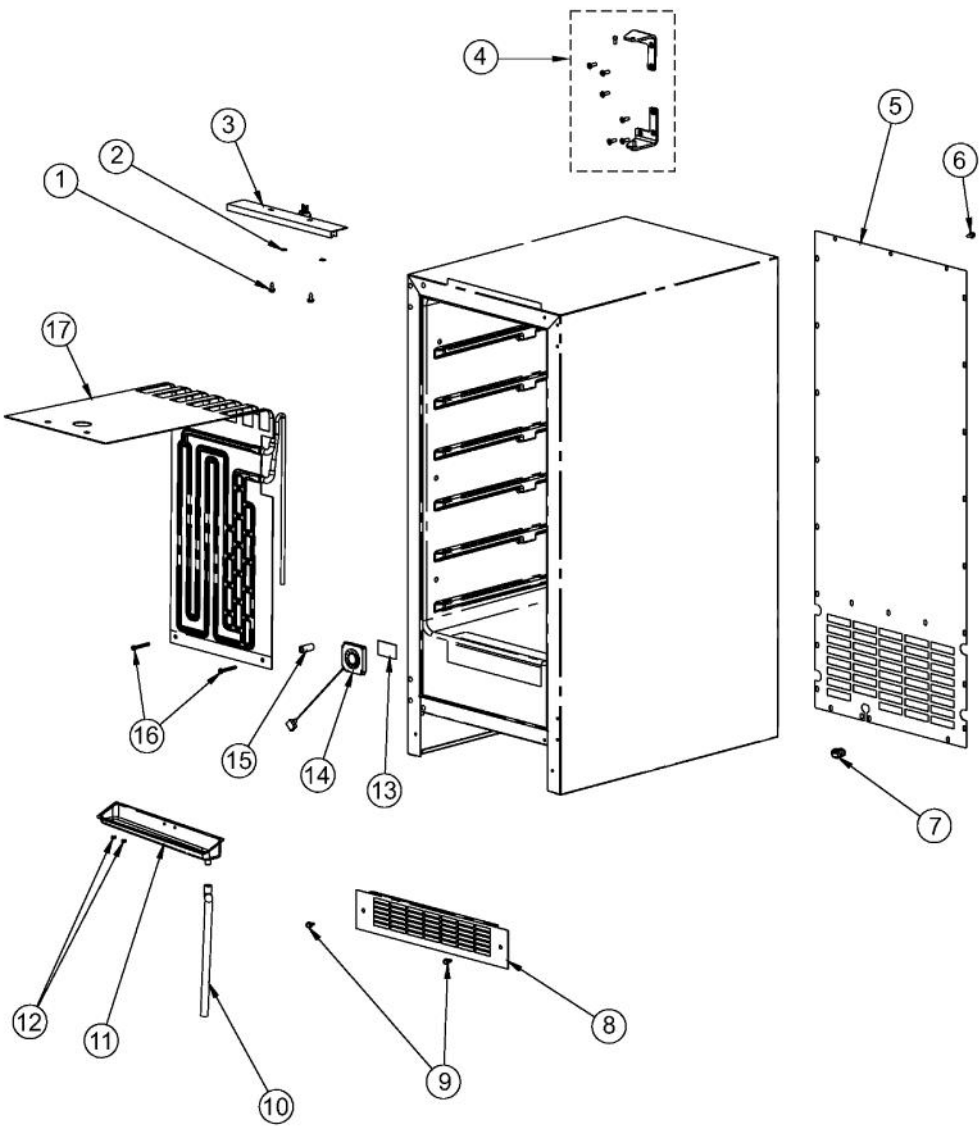
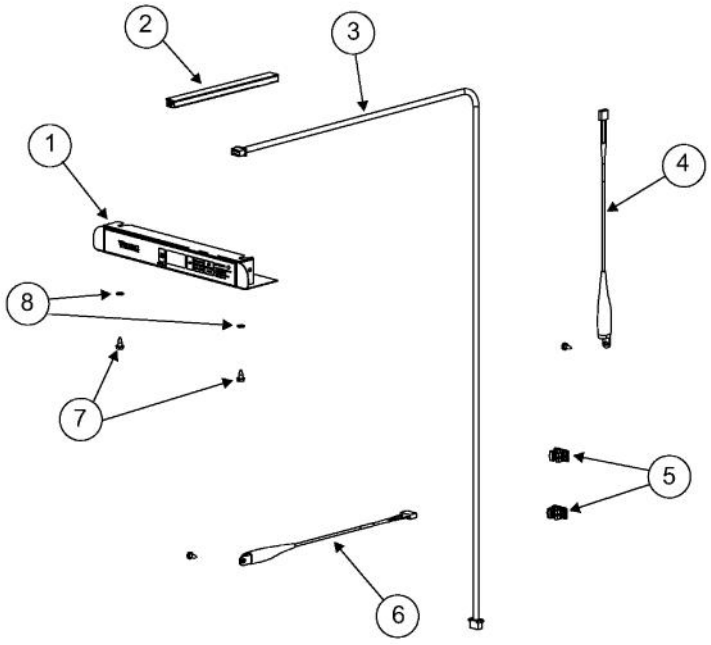


CABINET AREA



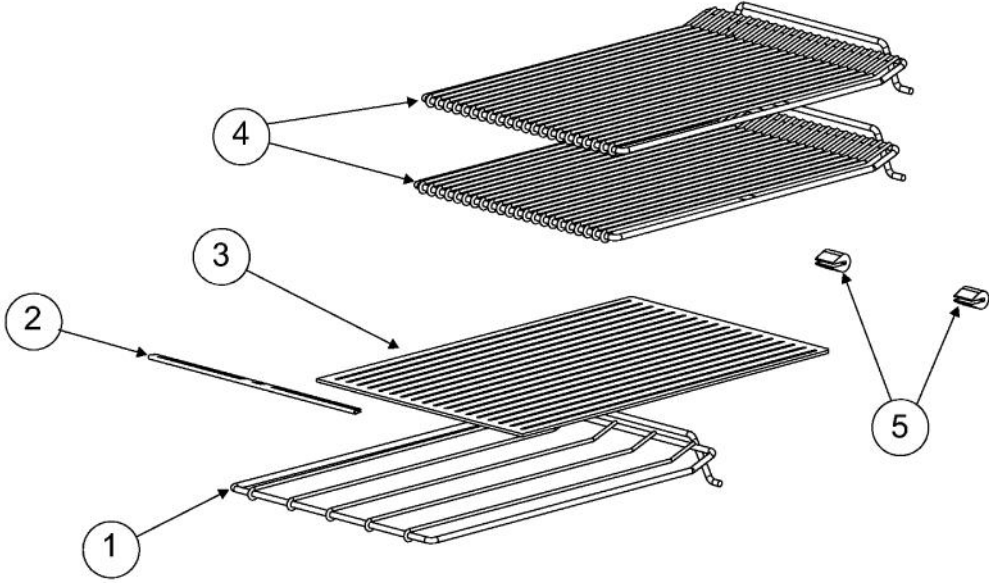
Ref #	Part Number	Qty.	Description
1	009924-000	2	WASHER HD SCREW - ZN
2	007641-000	2	NO.10 EXTERNAL TOOTH LOCKWASHER
3	PS100007	1	AURA LIGHT ASSY (BLACK) 42245124
4	010695-000	1	STANDARD HINGE, RIGHT TOP, CHROME
5	PS100019	1	BACK PANEL ASSEMBLY (42245283) 152 WC
6	010223-000	6	SCREW, NO.10-32 X .75 COUNTERSUNK, SS
7	010021-000	1	BUSHING
8	010027-000	1	TOE GRILLE - BK
9	009489-000	2	NO.12 X 3/4 TYPE AB PHILLIPS SCREW, BLACK
10	010026-000	1	DRAIN TUBE - BK
11	PW210043	1	SERV. ASSY 151 BLK DRIP TRAY 42244610
12	PW200019	2	POP RIVET
13	009492-000	1	EVAPORATOR TRIM - BK
14	009747-000	1	EVAPORATOR FAN
15	010028-000	2	1 SPACER - BK
16	PW200007	2	SCREW, EVAPOR. (VUWC140)X 08204902
17	PW240049	1	151 EVAP ASSY (42244612)
NI	010031-000	4	LEVELING LEG
NI	010702-000	1	STANDARD HINGE, RIGHT BOTTOM, CHROME
NI	009924-000	26	WASHER HD SCREW - ZN

CONTROL AREA



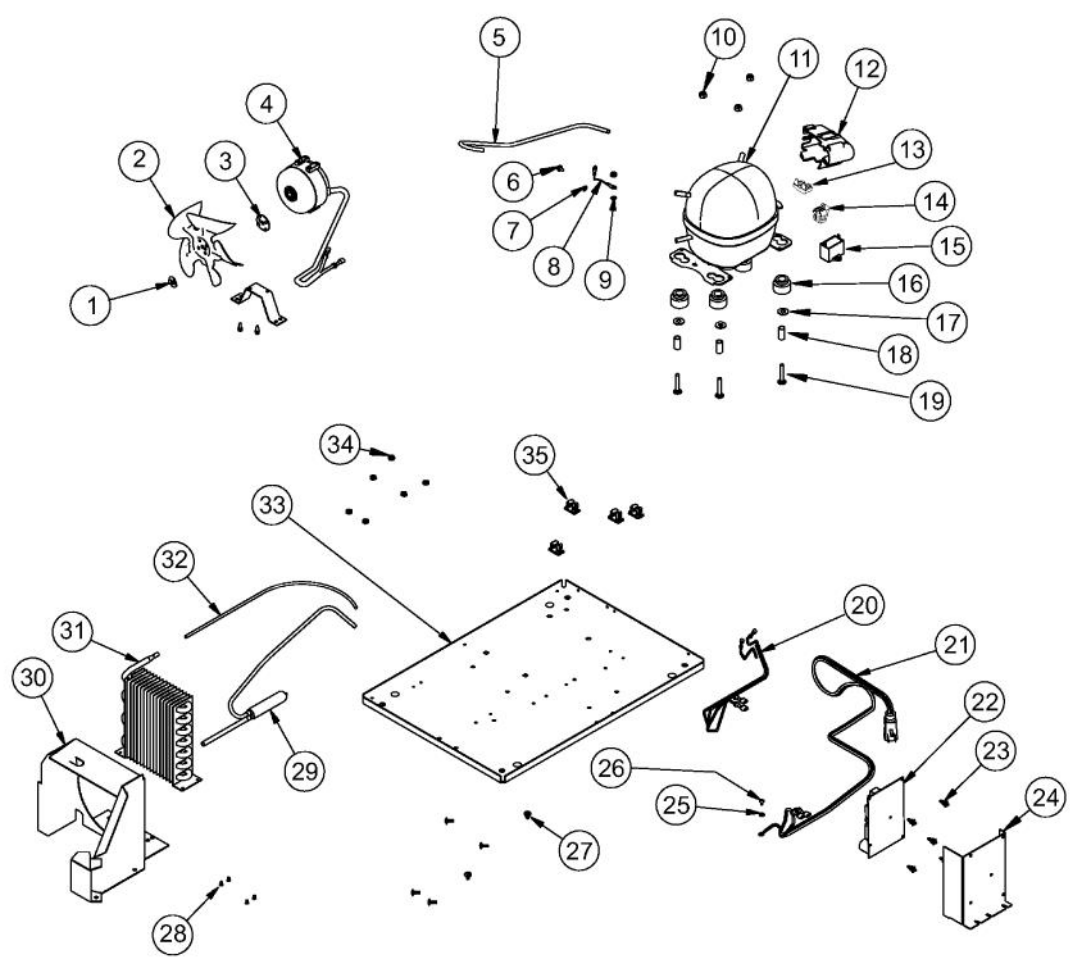
Ref #	Part Number	Qty.	Description
1	028583-000	1	DISPLAY ASM BK, 15 BC GLASS DR.
2	010022-000	1	WIRE CONDUIT
3	009482-000	1	COMMUNICATION CABLE
4	009483-000	1	EVAPORATOR TEMPERATURE THERMISTOR
5	007640-000	2	PLASTIC WIRE CLIP
6	009484-000	1	DISPLAY TEMPERATURE THERMISTOR
7	009924-000	2	WASHER HD SCREW - ZN
8	007641-000	2	NO.10 EXTERNAL TOOTH LOCKWASHER

INTERIOR SHELVING AREA



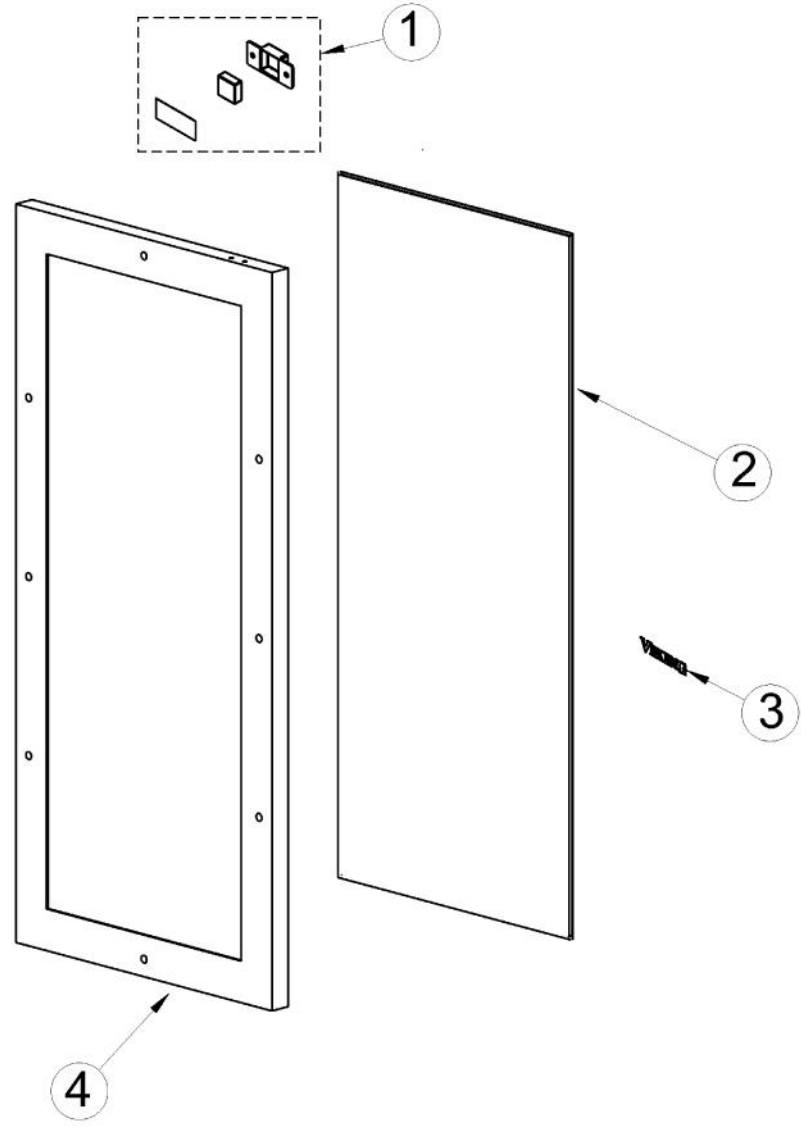
Ref #	Part Number	Qty.	Description
1	010025-000	1	WIRE SHELF
2	010024-000	1	GLASS SHELF TRIM
3	005872-000	1	GLASS SHELF
4	005873-000	2	WIRE SHELF - CHROME
5	009499-000	2	1 BUMPER - BK

LOWER UNIT AREA



Ref #	Part Number	Qty.	Description
1	PW200020	1	SPEED NUT, FAN MOTOR
2	PW200037	1	FAN BLADE
3	009831-000	1	SILENCER (INCLUDED W/FAN)
4	PW300152	1	FAN MOTOR ASSY (VUIM150) 42244701
5	010035-000	1	PROCESSOR TUBE
6	PW200029	1	SCREW
7	007614-000	1	EVAPORATOR FAN - 42245142
8	PW300137	1	GROUND WIRE (VUIM150)
9	PW300143	1	LOCK WASHER (VUIM150) 42243619
10	PW200017	3	LOCK NUT .25-.20 UNC
11	PW240041	1	COMPRESSOR 15 (42242896)
12	009507-000	1	RELAY COVER
13	PS100020	1	OVERLOAD (42245133) 152 WC
14	PS100021	1	PTC RELAY (42245131) 152 WC
15	PS100023	1	RUN CAPACITOR (42245134) 152 WC
16	010036-000	4	GROMMET (COMES WITH COMPRESSOR)
17	PW200018	3	.312 ID FLAT WASHER
18	010037-000	4	SLEEVE (COMES WITH COMPRESSOR)
19	010040-000	3	1/4-20 X 1 1/2 CARRIAGE BOLT
20	010038-000	1	WIRE HARNESS
21	005835-000	1	POWER CORD - 42242054
22	009511-000	1	ELECTRONIC CONTROL BOARD
23	009513-000	4	STANDOFF
24	009514-000	1	CONTROL BOARD MOUNTING BRACKET
25	007614-000	1	EVAPORATOR FAN - 42245142
26	PW2000017	2	SCREW, .25-20 ZN
27	010062-000	6	CARRIAGE BOLT
28	010039-000	4	RIVET, 1/8 STEEL
29	PW240030	1	DRIER (42242894)
30	PW300145	1	FAN SHROUD (VUIM150) 42242902
31	PW300159	1	CONDENSER ASSY
32	009810-000	1	DRYER TUBE
33	010033-000	1	BASEPLATE
34	010034-000	6	KEP NUT (42247454)
35	007640-000	4	PLASTIC WIRE CLIP
NI	010032-000	1	DISCHARGE TUBE

DESIGNER FOL DOOR



Ref #	Part Number	Qty.	Description
1	009522-000	1	MAGNET SWITCH RETAINER
2	009759-000	1	DOOR SWITCH MAGNET
3	009762-000	1	3M TAPE, 1.75
4	PW230119	1	DOOR GASKET (42243908)
5	010009-000	1	DOOR LOGO
6	010744-000	1	DOOR - CLEAR GLASS
NI	010746-000	1	DOOR - FLUTED GLASS
7	010005-000	1	DOOR ASSEMBLY - RH CLEAR GLASS
NI	010006-000	1	DOOR ASSEMBLY - LH CLEAR GLASS
NI	010007-000	1	DOOR ASSEMBLY - RH FLUTED GLASS
NI	010008-000	1	DOOR ASSEMBLY - LH FLUTED GLASS