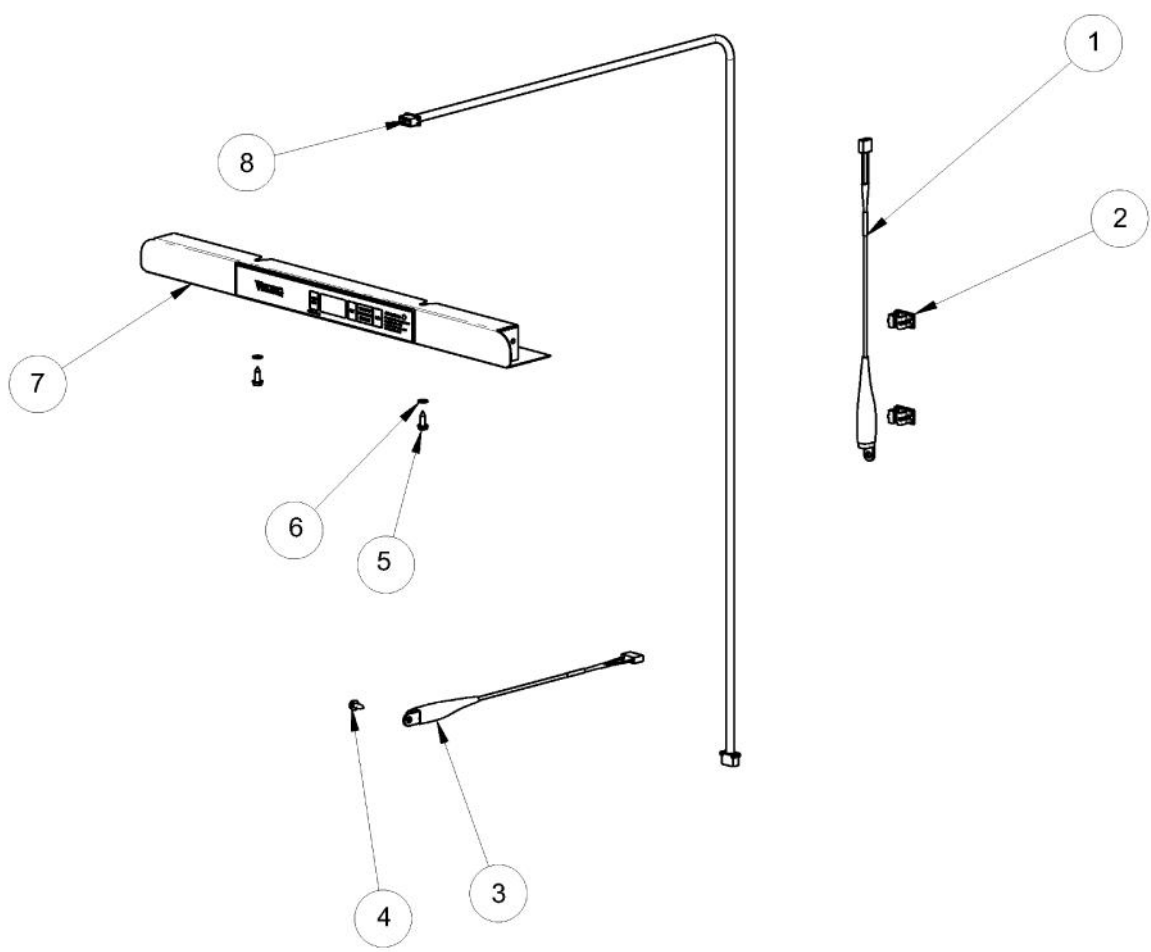
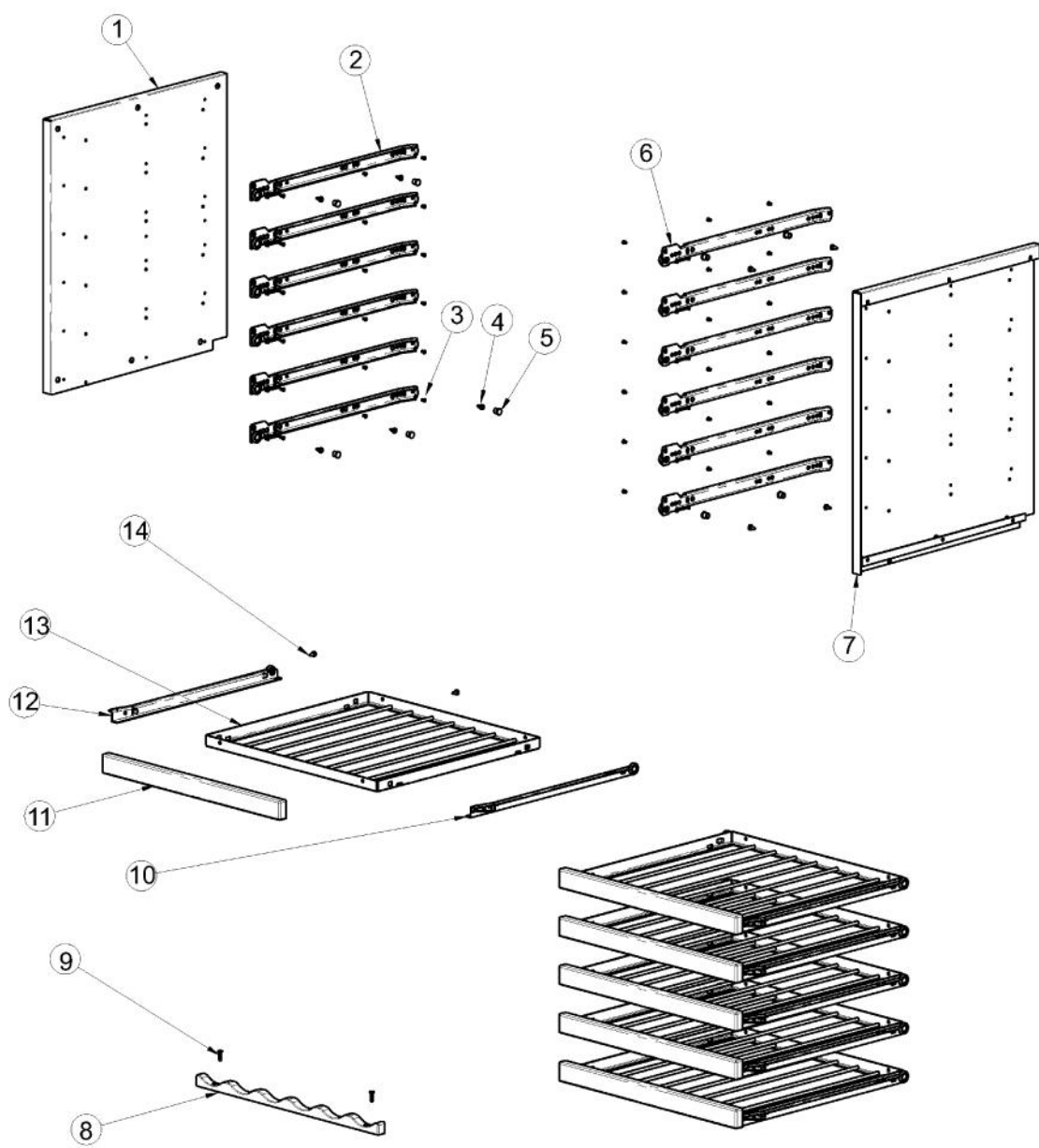


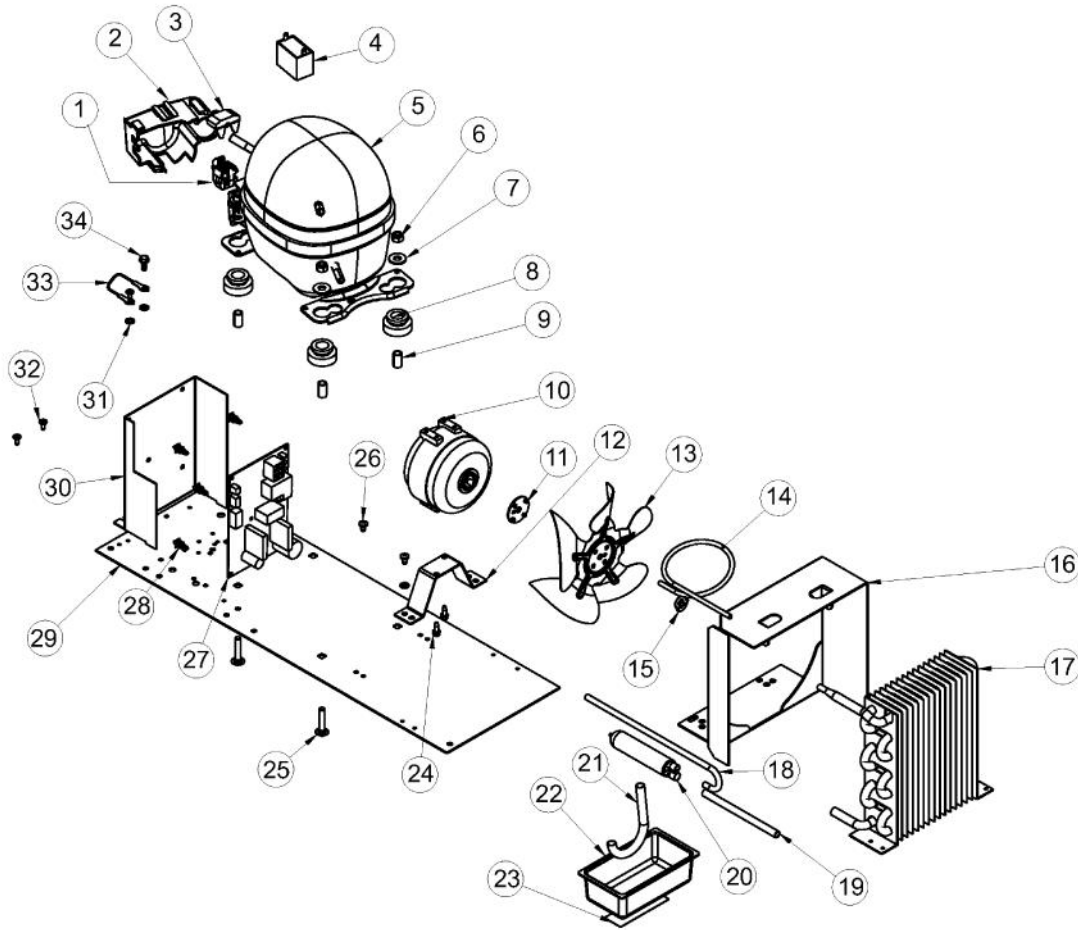
Ref #	Part Number	Qty.	Description
1	009926-000	1	BACK PANEL SERV ASM
2	009924-000	17	WASHER HD SCREW - ZN
3	009487-000	1	BUSHING
4	010073-000	1	BACK SHROUD - GS
5	010702-000	1	STANDARD HINGE, RIGHT BOTTOM, CHROME
6	010236-000	6	10-32 X 3/4? PHILLIPS COUNTERSUNK SCREW, ZN
7	010069-000	2	LOCK WASHER
8	009489-000	2	NO.12 X 3/4 TYPE AB PHILLIPS SCREW, BLACK
9	PS100115	1	LOUVERED GRILLE SERV ASM - BK
9	010070-000	1	LOUVERED GRILLE, SS
10	010246-000	1	EVAPORATOR FAN
11	PW240045	1	SERV. ASSY BLACK DRAIN TUBE 42244609
12	PW200019	2	POP RIVET
13	PS100083	1	DRIP TRAY, BLACK 142 WC 42244429
14	PW200007	2	SCREW, EVAPOR. (VUWC140)X 08204902
15	PW240046	1	141 SERIES BLACK EVAP ASSY (42244920)
16	010028-000	2	1 SPACER - BK
17	010245-000	1	DOUBLEE SIDED TAPE, 1.75
18	009894-000	1	WIRE CONDUIT
19	010698-000	2	SCREW, NO.10 X .5 ZN
20	PW220015	1	LOCK CATCH BRACKET (BLACK)
21	010695-000	1	STANDARD HINGE, RIGHT TOP, CHROME
NI	PW240044	2	VUAR/DUAR141 AURA LIGHT
NI	010031-000	4	LEVELING LEG



Ref #	Part Number	Qty.	Description
1	009483-000	1	EVAPORATOR TEMPERATURE THERMISTOR
2	007640-000	2	PLASTIC WIRE CLIP
3	009484-000	1	DISPLAY TEMPERATURE THERMISTOR
4	010057-000	1	SCREW, NO.6-20 X .75 SS
5	009485-000	2	MACHINE SCREW - SS
6	009486-000	2	NO.10 EXTERNAL TOOTH STAR WASHER, SS
7	028595-000	1	DISPLAY ASM BK, 24 WC GLASS DR.
8	009482-000	1	COMMUNICATION CABLE

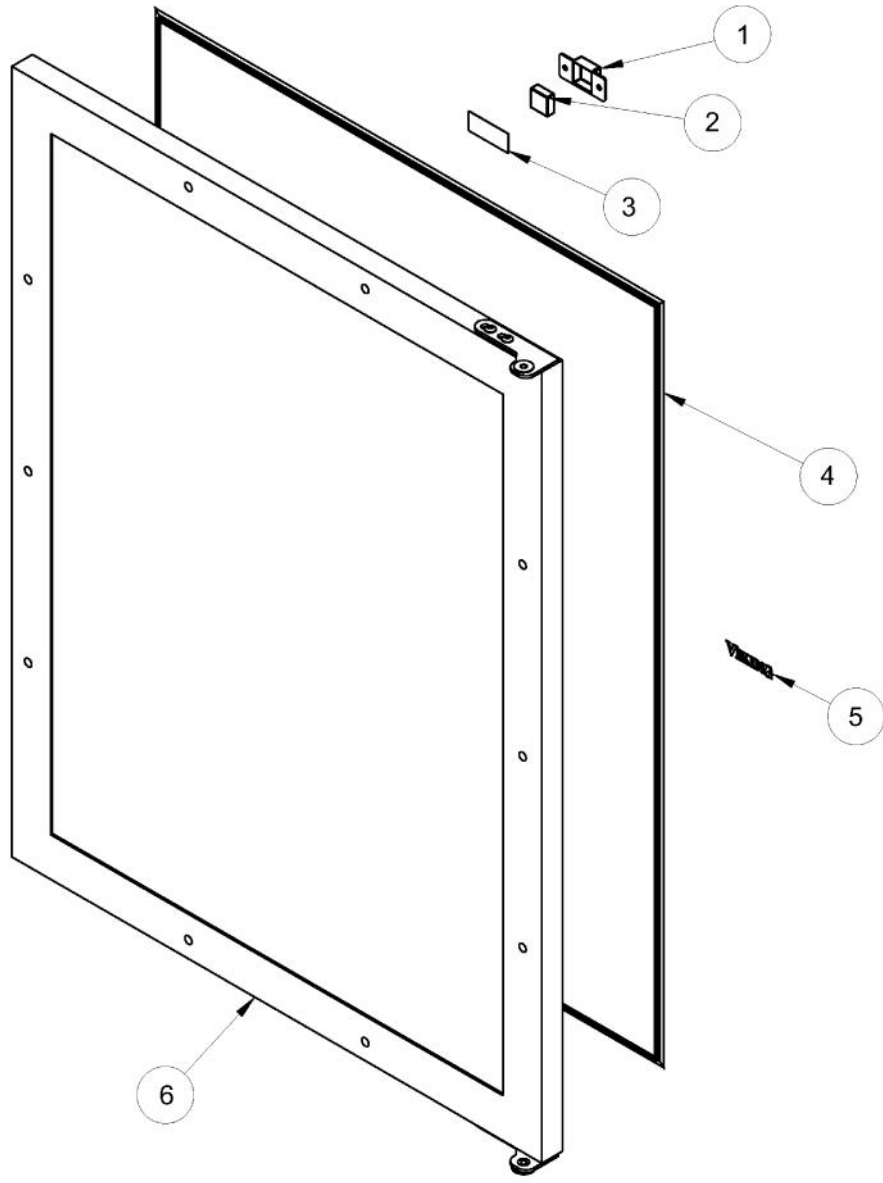


Ref #	Part Number	Qty.	Description
1	010229-000	1	LINER SHIELD, LH - BL
2	010226-000	6	CABINET SIDE, LH - BK
3	010039-000	36	RIVET, 1/8 STEEL
4	009848-000	12	WALL CORNER PAD
5	010228-000	4	BUSHING 2620
6	010242-000	1	SHELF SLIDE, RH - BL
7	010241-000	1	LINER SHIELD, RH - BL
8	PW210046	1	141 SERIES LOWER BOTTLE CRADLE
9	010236-000	2	10-32 X 3/4? PHILLIPS COUNTERSUNK SCREW, ZN
10	010235-000	6	SHELF SLIDED, RH - BK
11	010233-000	1	FRONT NATURAL WOOD
12	010232-000	6	SHELF SLIDE, LH - BK
13	010231-000	6	RACK - BL
14	010230-000	12	SCREW, NO.8 X 1/2 PH PAN HEAD



Ref #	Part Number	Qty.	Description
1	PS100021	1	PTC RELAY (42245131) 152 WC
2	009507-000	1	RELAY COVER
3	PS100020	1	OVERLOAD (42245133) 152 WC
4	PS100023	1	RUN CAPACITOR (42245134) 152 WC
5	008167-000	1	TRIM SCREWS SS (PACKAGE OF 6)
6	PW200017	3	LOCK NUT .25-.20 UNC
7	PW200018	3	.312 ID FLAT WASHER
8	010208-000	4	SLEEVE (INCLUDED WITH COMPRESSOR)
9	010209-000	4	SLEEVE (INCLUDED WITH COMPRESSOR)
10	PW240005	1	FAN/MTR ASSY COMPLETE VUWC
11	PW240005	1	FAN/MTR ASSY COMPLETE VUWC
12	PW240005	1	FAN/MTR ASSY COMPLETE VUWC
13	PW200037	1	FAN BLADE
14	007638-000	1	COPPER TUBING
15	PW240005	1	FAN/MTR ASSY COMPLETE VUWC
16	PW210013	1	FAN SHROUD (VUWC140) 42241349
17	PW300159	1	CONDENSER ASSY
18	009808-000	1	COPPER TUBE (42247551)
19	009810-000	1	DRYER TUBE
20	PW240003	1	DRIER ASSY VUWC140
21	PW220009	1	DRAIN TUBE J-TRAP (42242901)
22	PW210014	1	DRIP PAN ASSY. (VUWC140)X42242055
23	010079-000	1	TAPE - WH
24	009509-000	2	NO.8-36 SCREW
25	PW200023	4	CARRIAGE BOLT
26	PW200021	4	SCREW
27	009511-000	1	ELECTRONIC CONTROL BOARD
28	009513-000	5	STANDOFF
29	PW210011	1	BASEPLATE (VUWC140)
30	009514-000	1	CONTROL BOARD MOUNTING BRACKET
31	PW200029	4	SCREW
32	PW300274	2	WASHER, INDOOR
33	PW300137	1	GROUND WIRE (VUIM150)
34	009515-000	1	NO.10-32 X 1/2 HEX WASHER HEAD SCREW
NI	003835-000	1	NO.6-20 X 1/2? PHILLIPS PAN HEAD SCREW, SS





Ref #	Part Number	Qty.	Description
1	010216-000	1	DOOR SWITCH MAGNET RETAINER
2	009759-000	1	DOOR SWITCH MAGNET
3	009762-000	1	3M TAPE, 1.75
4	PW230124	1	MAGNETIC GASKET, BLACK
5	010009-000	1	DOOR LOGO
6	NOT REPLACEABLE		OVEN CAVITY (NOT REPLACEABLE PART)
	NOT REPLACEABLE		OVEN CAVITY (NOT REPLACEABLE PART)
	NOT REPLACEABLE		OVEN CAVITY (NOT REPLACEABLE PART)
	NOT REPLACEABLE		OVEN CAVITY (NOT REPLACEABLE PART)
NI	010672-000	1	DOOR ASSEMBLY - RT W/LOGO
	010041-000	1	DOOR ASSEMBLY - RT W/LOGO
	010673-000	1	DOOR ASSEMBLY - LT W/LOGO
	010042-000	1	DOOR ASSEMBLY - LT W/LOGO
	010674-000	1	DOOR ASSEMBLY - RT
	010043-000	1	DOOR ASSEMBLY - RT
	010675-000	1	DOOR ASSEMBLY - LT
	010044-000	1	DOOR ASSEMBLY - LT