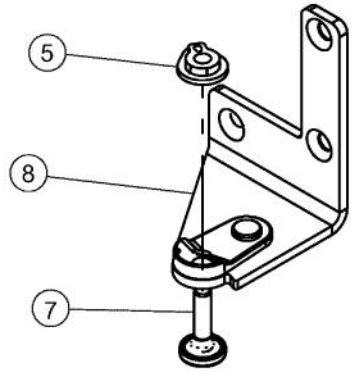
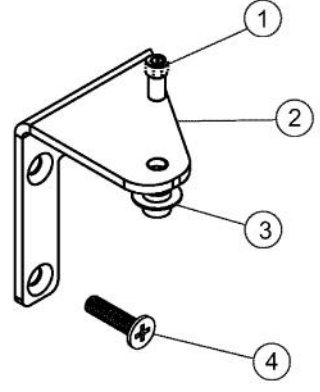
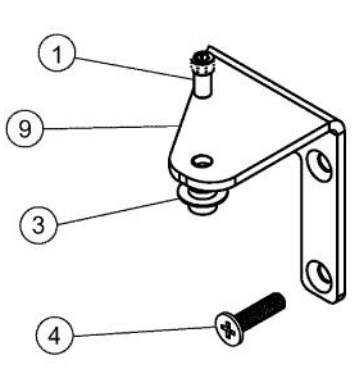
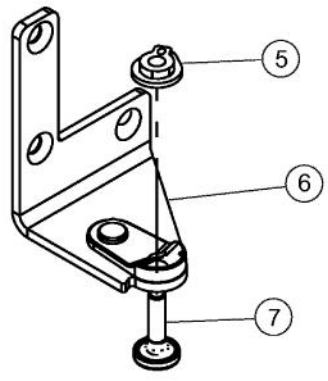


Ref #	Part Number	Qty.	Description
1	028352-000	1	MAGNET
2	028353-000	1	MAGNET SWITCH RETAINER
3	022248-000	4	1/4-20 X 1/2 BUTTON HEAD CAP SCREW
4	028355-000	1	TOP HINGE ADAPTER, R.H. DOOR (SHOWN)
5	022414-000	1	BEARING, HINGE PIN UPPER
6	PW230124	1	MAGNETIC GASKET, BLACK
7	028358-000	2	NO.6-20 X 3/4 TYPE AB SCREW
8	PW230124	1	MAGNETIC GASKET, BLACK
9	022423-000	1	DOOR CLOSER CAM FOLLOWER
10	022424-000	1	SCREW : 4MM X 10MM
11	028546-000	1	DOOR ASSY, DES, RH, FOL, W/LOCK
12	028480-000	1	LOCK, DOOR
13	022900-000	1	TOP HINGE ADAPTER, LEFT HAND
14	028547-000	1	DOOR ASSY, DES, LH, FOL, W/LOCK
15	022427-000	1	DOOR STOP, L.H.
16	N/A	1	HEAT SHIELD - MUST ORDER ITEM NO. 11

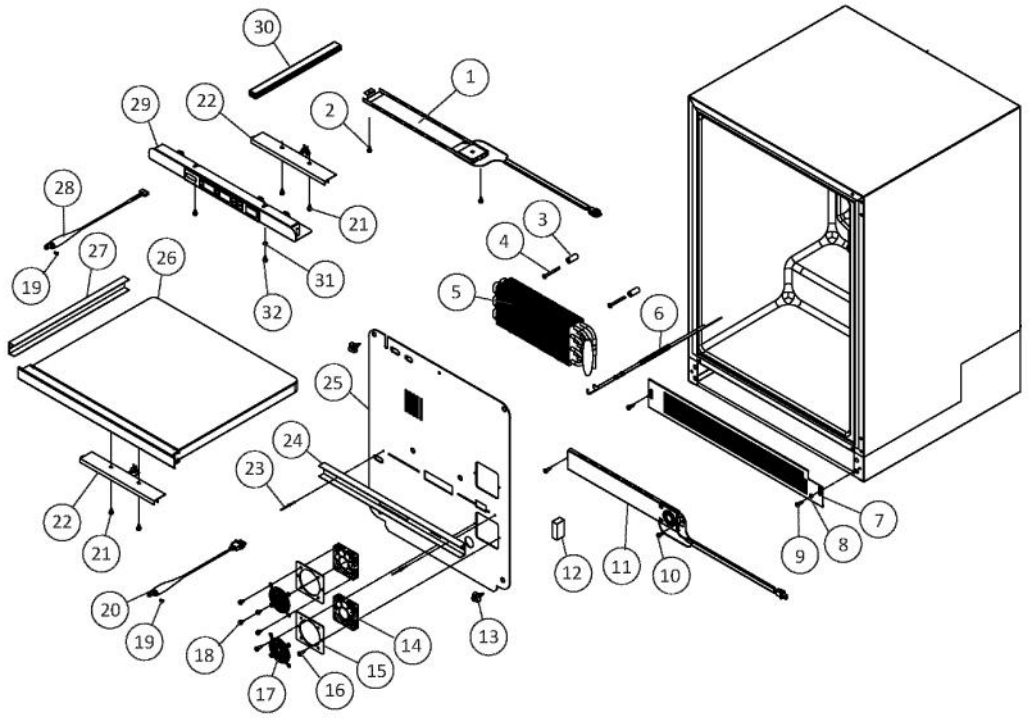


Right Hand

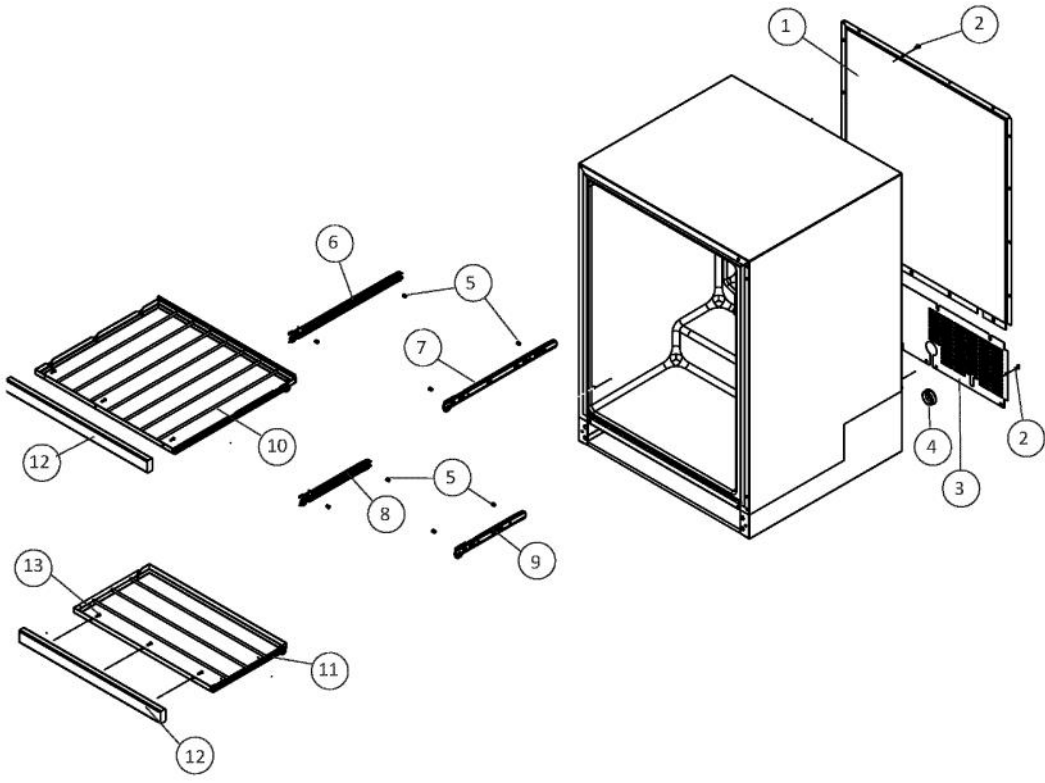


Left Hand

Ref #	Part Number	Qty.	Description
1	028354-000	1	TOP HINGE PIN
2	022416-000	1	UPPER DOOR HINGE L.H.
3	022414-000	1	BEARING, HINGE PIN UPPER
4	022252-000	6	10-32 X 3/4 COUNTERSUNK SCREW
5	022423-000	1	DOOR CLOSER CAM FOLLOWER
6	022420-000	1	BOTTOM DOOR HINGE, L.H.
7	022240-000	1	LOWER HINGE PIN
8	022417-000	1	BOTTOM DOOR HINGE, R.H.
9	022415-000	1	UPPER DOOR HINGE R.H.

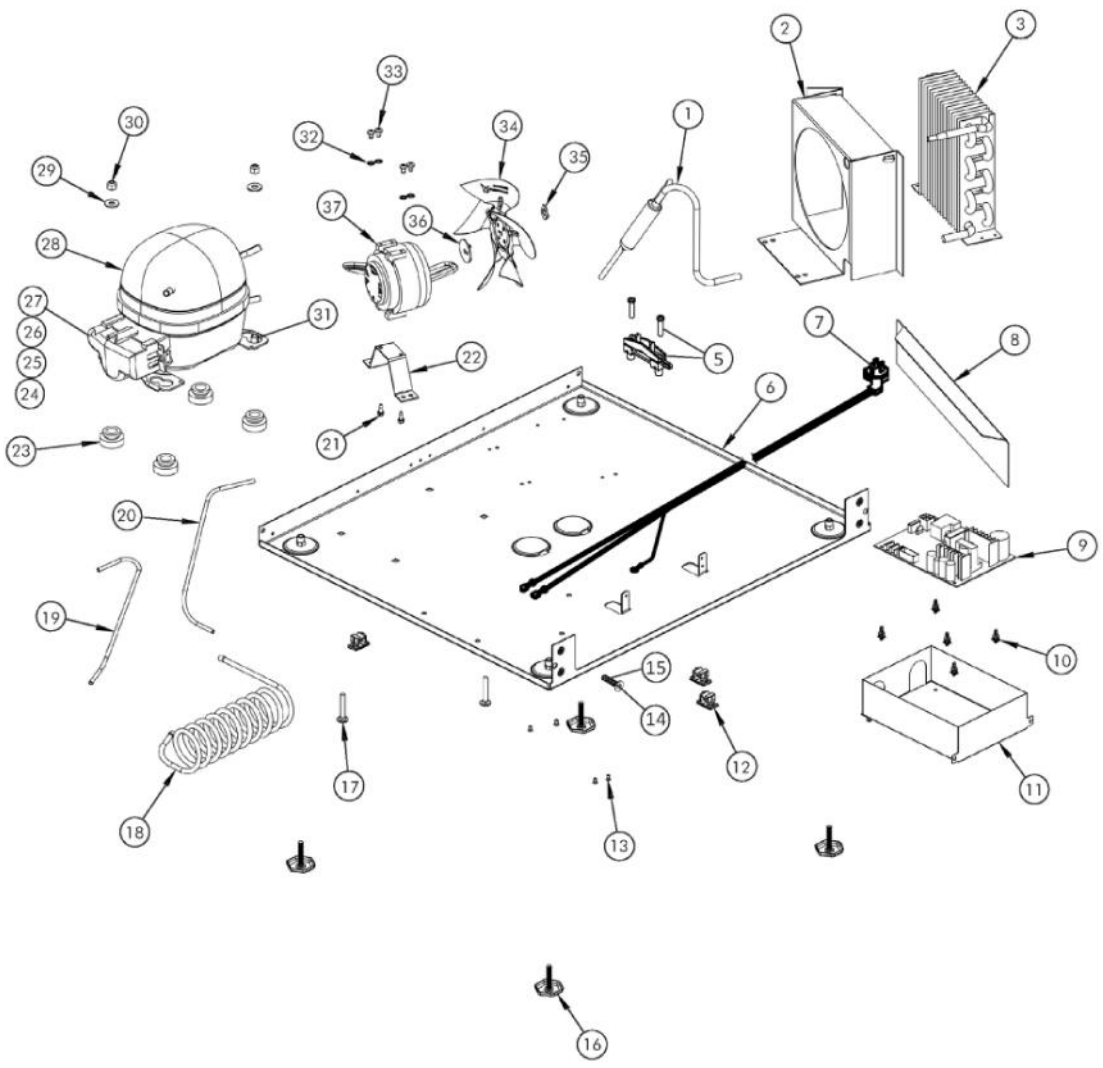


Ref #	Part Number	Qty.	Description
1	028432-000	1	FAN/HEATER ASSEMBLY, UPPER COMPARTMENT
3	028527-000	2	1.09 LONG SPACER
4	022926-000	2	NO.10-32 X 2? SCREW
5	028518-000	1	EVAPORATOR ASSEMBLY
6	028528-000	1	HEAT EXCHANGER ASSEMBLY
7	022357-000	1	BLACK GRILLE
8	022358-000	1	NO.12 EXTERNAL TOOTH STAR WASHER
9	022361-000	2	NO.12X 3/4 BLACK TYPE A SCREW
10	028519-000	2	NO.10 X 1/2 HEX WASHER HEAD SCREW
11	028437-000	1	FAN/HEATER ASSEMBLY, LOWER COMPARTMENT
12	028526-000	2	SPACER
13	028524-000	6	TUFLOK FASTNER
14	028439-000	2	EVAPORATOR FAN ASSY
15	028523-000	1	MOUNTING COVER, EVAPORATOR FAN
16	022361-000	4	NO.12X 3/4 BLACK TYPE A SCREW
17	028522-000	2	WIRE FAN GUARD
18	028519-000	2	NO.10 X 1/2 HEX WASHER HEAD SCREW
19	028520-000	1	NO.10 X 1/2 SCREW
20	028438-000	1	THERMISTOR/HARNESS ASSEMBLY, LOWER COMP.
21	022440-000	2	NO.10 X 5/8 HEX HEAD SCREW
22	PS100007	1	AURA LIGHT ASSY (BLACK) 42245124
23	028525-000	2	POP RIVET
24	028521-000	1	DIVIDER SUPPORT
25	028445-000	1	EVAPORATOR COVER
26	028442-000	1	DIVIDER ASSEMBLY, RIGHT-HAND
26	028443-000	1	DIVIDER ASSEMBLY, LEFT-HAND
27	028521-000	2	DIVIDER SUPPORT
28	028448-000	1	THERMISTOR/HARNESS ASSEMBLY, UPPER COMP. W/ SCR...
29	028446-000	1	U/I DISPLAY ASSY, GLASS DOOR, BLACK W/ SCREWS & WA...
30	028449-000	1	WIRE CONDUIT
31	022478-000	2	NO.10 EXTERNAL TOOTH STAR WASHER, SS
32	022929-000	2	NO.10-32 X 1/2 MACHINE SCREW

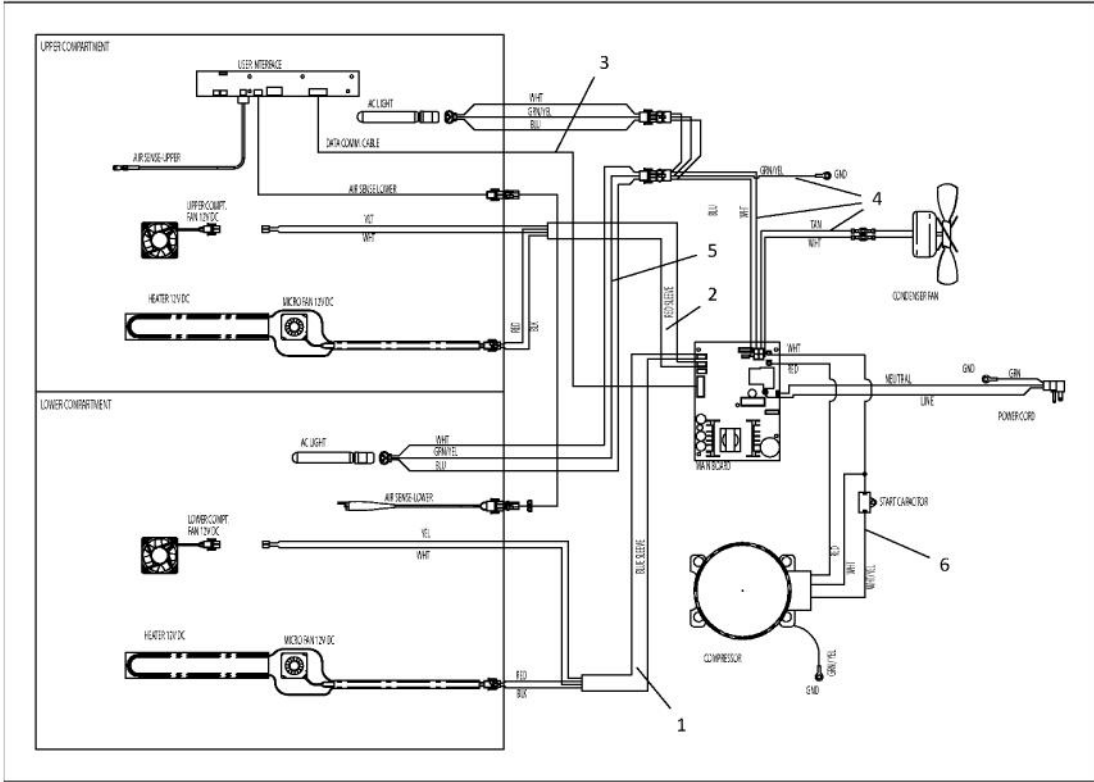


Ref #	Part Number	Qty.	Description
1	009926-000	1	BACK PANEL SERV ASM
2	022440-000	24	NO.10 X 5/8 HEX HEAD SCREW
3	028529-000	1	ACCESS COVER
4	022354-000	1	HEYCO BUSHUNG
5	028530-000	24	COUNTERSUNK RIVET
6	028531-000	5	ROLLER SLIDE LEFT OUTER 400MM
7	028532-000	5	ROLLER SLIDE RIGHT OUTER 400MM
8	028533-000	1	ROLLER SLIDE LEFT OUTER 250MM
9	028534-000	1	ROLLER SLIDE RIGHT OUTER 250MM
10	028444-000	5	UPPER SHELF ASSEMBLY
11	028440-000	1	LOWER SHELF ASSEMBLY
12	028441-000	6	WOOD SHELF FRONT
13	028358-000	18	NO.6-20 X 3/4 TYPE AB SCREW





Ref #	Part Number	Qty.	Description
1	028450-000	1	DRIER ASSEMBLY
2	028451-000	1	CONDENSER FAN SHROUD
3	PW240004	1	CONDENSER, R-134A
5	022380-000	1	POWER CORD CLAMP KIT (W/SCREWS)
6	028535-000	1	MECHANICAL BASEPLATE
7	028377-000	1	POWER CORD
8	022374-000	1	FRONT SHROUD
9	028454-000	1	MAIN ELECTRONIC CONTROL ASSY
10	028538-000	5	CONTROL STAND-OFF
11	028539-000	1	MAIN CONTROL HOUSING
12	022359-000	4	FASTEX CLAMP
13	022401-000	4	POP RIVET NO.AD43ABS ALUMINUM
14	022252-000	4	10-32 X 3/4 COUNTERSUNK SCREW
15	022403-000	4	NO.10 COUNTERSUNK WASHER
16	022366-000	4	LEG LEVELER
17	028537-000	2	1/4-20 X 1 1/2 CARRIAGE BOLT
18	022839-000	1	PRECOOLER
19	028456-000	1	TUBE, COMPRESSOR TO PRECOOLER
20	028457-000	1	TUBE, PRECOOLER TO CONDENSER
21	N/A	2	HEAT SHIELD - MUST ORDER ITEM NO. 11
22	N/A	1	HEAT SHIELD - MUST ORDER ITEM NO. 11
23	022908-000	4	GROMMET
24	022368-000	1	TERMINAL COVER
25	022368-000	1	TERMINAL COVER
26	028540-000	1	OVERLOAD
27	PS100021	1	PTC RELAY (42245131) 152 WC
28	028455-000	1	TECUMSEH COMPRESSOR ASSY
29	022388-000	2	FAN MOTOR
30	022395-000	2	CONVECTION MOTOR
31	022912-000	3	SLEEVE 2222006
32	022358-000	4	NO.12 EXTERNAL TOOTH STAR WASHER
33	022879-000	4	10-32 X 5/16 PHILLIPS PAN HEAD SCREW, TAPTITE
34	028421-000	1	FAN BLADE
35	N/A	1	HEAT SHIELD - MUST ORDER ITEM NO. 11
36	N/A	1	HEAT SHIELD - MUST ORDER ITEM NO. 11
37	028458-000	1	FAN MOTOR ASSY
NI	028536-000	1	FAN MOTOR ASSY



Ref #	Part Number	Qty.	Description
1	028541-000	1	HARNESS BOTTOM COMPARTMENT FAN AND HEATER
2	028542-000	1	HARNESS TOP COMPARTMENT FAN AND HEATER
3	028460-000	1	COMMUNICATION HARNESS ASSEMBLY
4	028543-000	1	HARNESS CONDENSER FAN AND AC LIGHT
5	028544-000	1	HARNESS AC LIGHT
6	028545-000	1	COMPRESSOR HARNESS