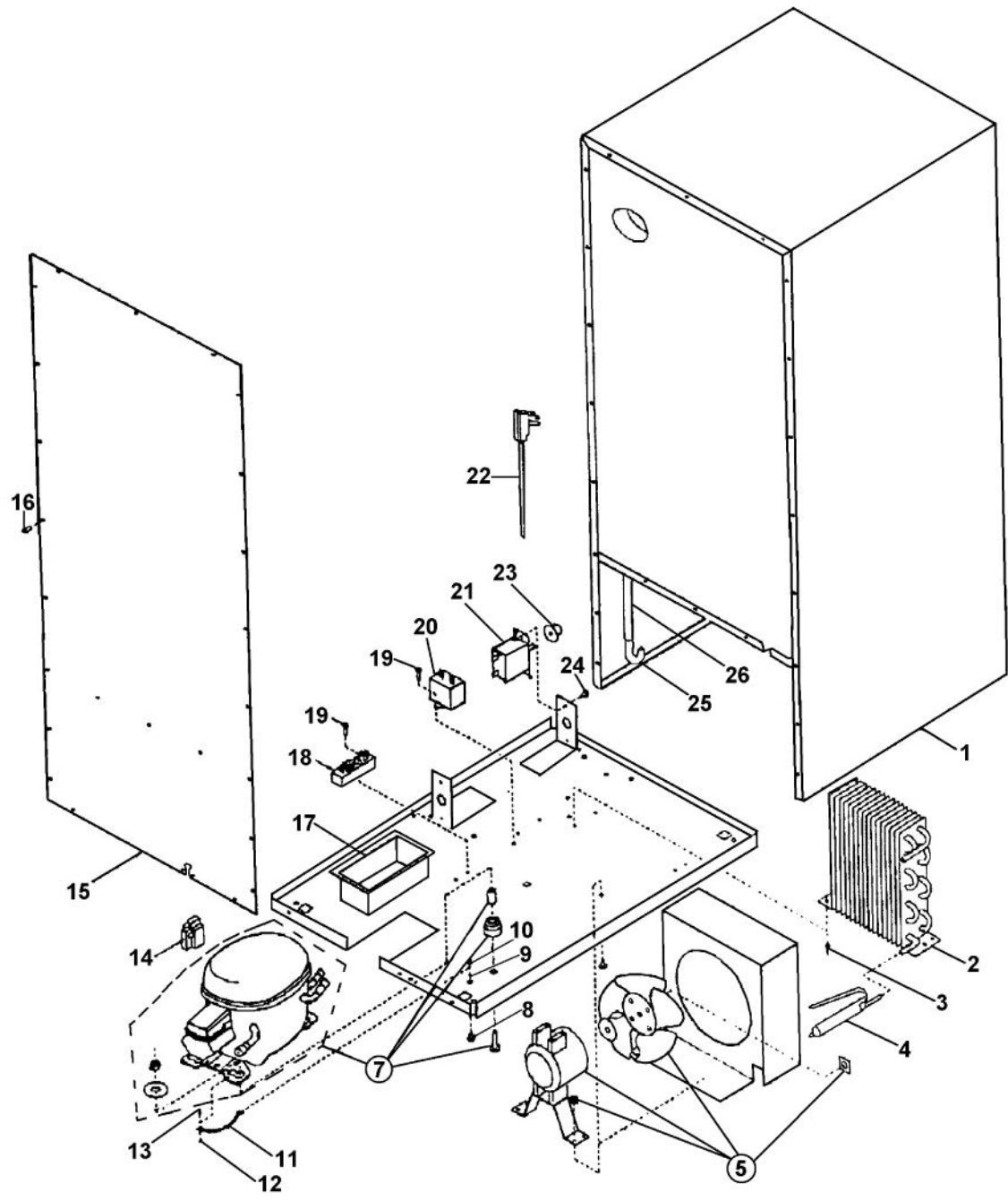
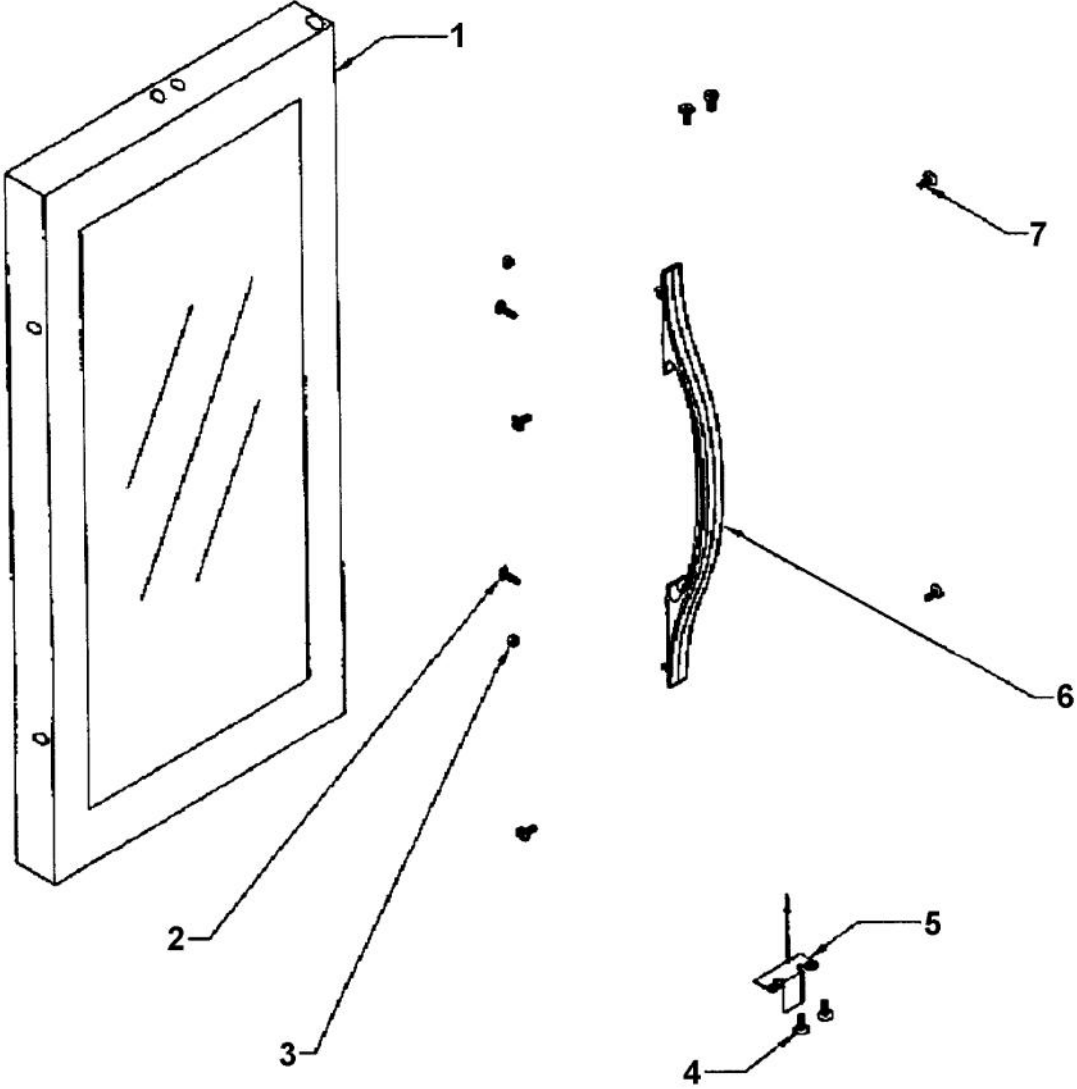


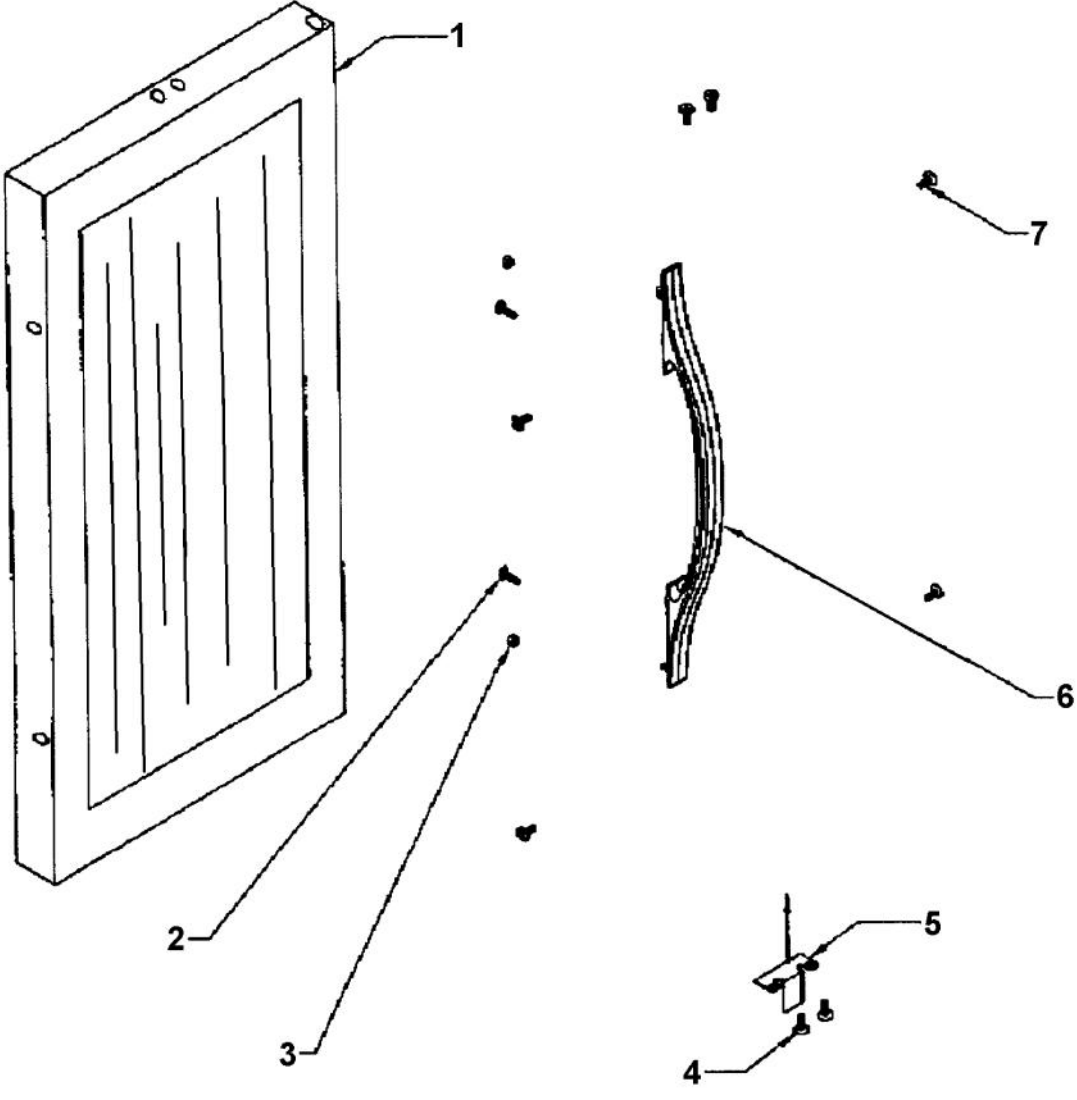
| Ref # | Part Number | Qty. | Description |
|-------|-------------|------|--|
| 1 | PW220015 | | LOCK CATCH BRACKET (BLACK) |
| 2 | PW200064 | | LOCK WASHER |
| 3 | PW240048 | | AURA LIGHT ASSEMBLY |
| 4 | PW200065 | | SCREW |
| 5 | PW200060 | | CAP |
| 6 | PW240058 | | EVAPORATOR, VUAR141 (42244045) |
| 7 | PW240045 | | SERV. ASSY BLACK DRAIN TUBE 42244609 |
| 8 | PW240053 | | POWER CORD |
| 9 | PW230012 | | LIGHT SWITCH, PLUNGER XBKX 42242915 |
| 10 | PW210041 | | 151 SERIES WINE RACK ONLY 42244590 |
| NI | PW230102 | | 151 SERIES WOOD FRONT ONLY 42244591 |
| NI | PW210042 | | 151 WINE RACK W/WD AND SCREWS 42244592 |
| 11 | PW210043 | | SERV. ASSY 151 BLK DRIP TRAY 42244610 |
| 12 | PW200061 | | RIVET |
| 13 | PW240054 | | DRIP PAN |
| 14 | PW240052 | | J TRAP |
| 15 | PW220004 | | HINGE KIT (VUWC140) X 42240881 |
| 16 | PW240050 | | THERMISTOR (42244531) |
| 17 | PW210031 | | GRILLE-BLACK 42242909 |
| | PW210032 | | GRILLE-WHITE (41005742) |
| NI | PW200038 | | LEVELER KIT |



| Ref # | Part Number | Qty. | Description |
|-------|----------------|------|------------------------------------|
| 1 | NOT REPLACABLE | | LABEL |
| 2 | PW240029 | | CONDENSER 42242893 |
| 3 | PW300141 | | POP RIVET, SS (VUIM150) 42243617 |
| 4 | PW240030 | | DRIER (42242894) |
| 5 | PW300152 | | FAN MOTOR ASSY (VUIM150) 42244701 |
| 6 | PW210024 | | FAN SHROUD |
| 7 | PW240041 | | COMPRESSOR 15 (42242896) |
| 8 | PW300168 | | CARRIAGE BOLT (VUIM150) 42243618 |
| 9 | PW300143 | | LOCK WASHER (VUIM150) 42243619 |
| 10 | PW300169 | | LOCK NUT |
| 11 | PW240031 | | GROUND WIRE COMPRESSOR (42243623) |
| 12 | PW200027 | | NO. 8 STAR WASHER |
| 13 | PW200028 | | HEX HEAD SCREW |
| 14 | PW240007 | | PTC STARTER (VUWC140) 42242427 |
| 15 | PW210047 | | BACK PANEL |
| 16 | PW200004 | | SCREW LENS COVER 42243354 |
| 17 | PW210014 | | DRIP PAN ASSY. (VUWC140)X42242055 |
| 18 | PW240008 | | TERMINAL BLOCK VUWC140 42242407 |
| 19 | PW200029 | | SCREW |
| 20 | PW240012 | | RUN CAPACITOR (VUWC140) 42242061 |
| 21 | PW240033 | | SSAC CONTROL (AFTER 8/1/01) |
| 22 | PW240034 | | POWER CORD VUWC150 (41006714) |
| 23 | PW230004 | | THERMOSTAT KNOB (VUWC140)X42241950 |
| 24 | PW200002 | | SCREW 8204905 |
| 25 | PW220009 | | DRAIN TUBE J-TRAP (42242901) |
| 26 | PW240035 | | DRAIN TUBE 41005383 |



| Ref # | Part Number | Qty. | Description |
|-------|-------------|------|---|
| 1 | PW230103 | | DOOR SUBASSEMBLY |
| NI | PW230125 | | GASKET (41006834) |
| 2 | PW200049 | | SCREW (PACK OF 2) |
| NI | PW230120 | | FO ADAPTER KIT (42244914) |
| 3 | PW200050 | | HEX-KEP NUT (42247454) |
| 4 | PW200051 | | SCREW |
| 5 | PW220021 | | STRIKER PLATE |
| 6 | PE030090 | | DOOR HANDLE - SS |
| | PE030090PVD | | DOOR HANDLE 27 XBRX PVD |
| 7 | PW200052 | | SUB TO PW200035 - SCREW (41005535) |
| NI | PW230110 | | 151 DUWC-WO/OVLY-GLD-LKY DR ASSY 42244600 |
| NI | PW200058 | | LOCK & KEY ASSY FOR WD OVERLAY 42244619 |
| NI | PW200056 | | SERVICE ASSY SET OF 2 KEYS (42244506) |



| Ref # | Part Number | Qty. | Description |
|-------|-------------|------|---|
| 1 | PW230072 | | FLUTED GLASS DOOR W/O FRAME - RH |
| | PW230073 | | DOOR SUBASSEMBLY - LH |
| NI | PW230125 | | GASKET (41006834) |
| 2 | PW200049 | | SCREW (PACK OF 2) |
| 3 | PW200050 | | HEX-KEP NUT (42247454) |
| NI | PW230120 | | FO ADAPTER KIT (42244914) |
| 4 | PW200051 | | SCREW |
| 5 | PW220021 | | STRIKER PLATE |
| 6 | PE030090 | | DOOR HANDLE - SS |
| | PE030090PVD | | DOOR HANDLE 27 XBRX PVD |
| 7 | PW200052 | | SUB TO PW200035 - SCREW (41005535) |
| NI | PW230090 | | COMPLETE DOOR ASSY - RH |
| NI | PW230091 | | COMPLETE DOOR ASSY - LH |
| NI | PW200058 | | LOCK & KEY ASSY FOR WD OVERLAY 42244619 |
| NI | PW200056 | | SERVICE ASSY SET OF 2 KEYS (42244506) |