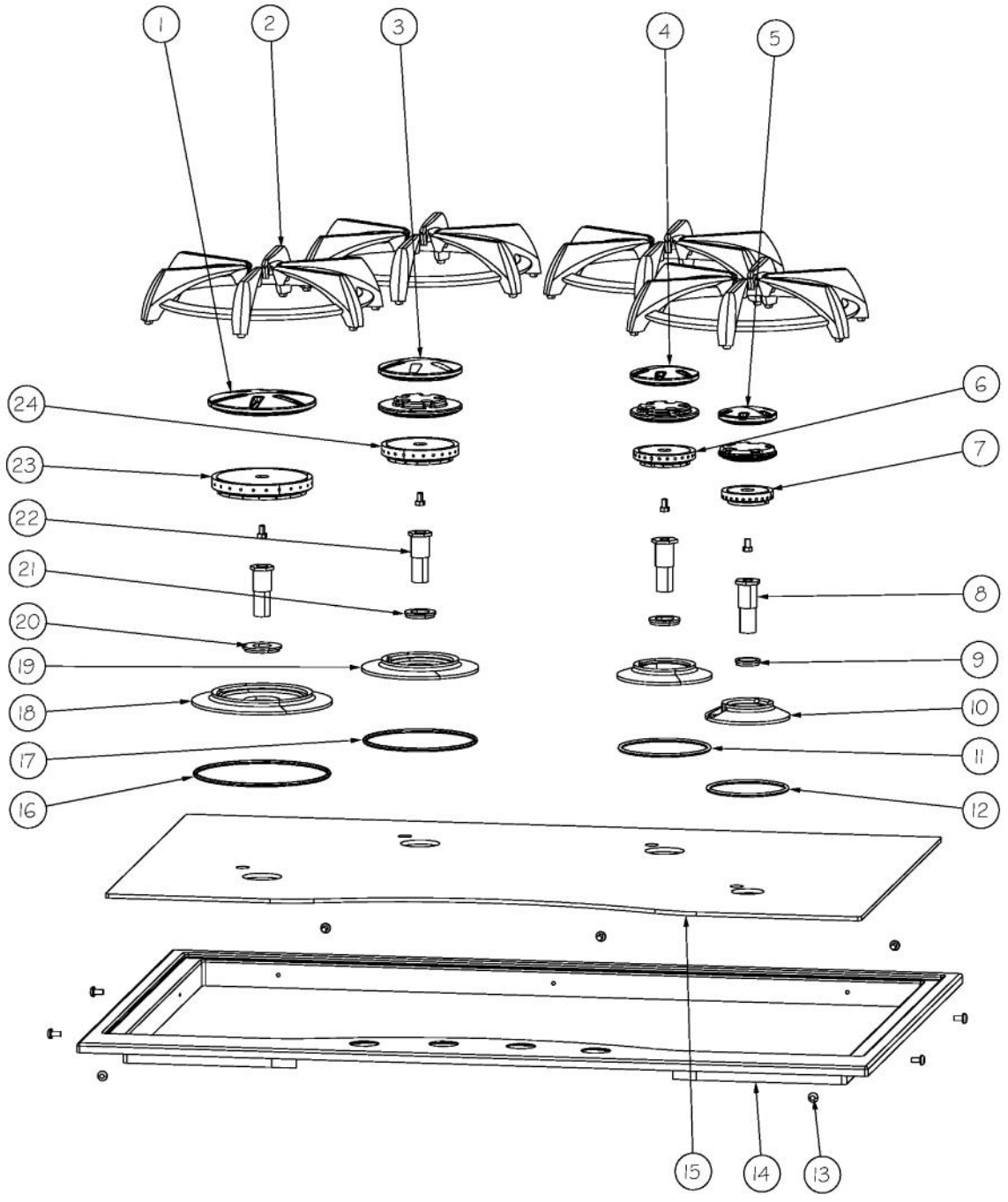
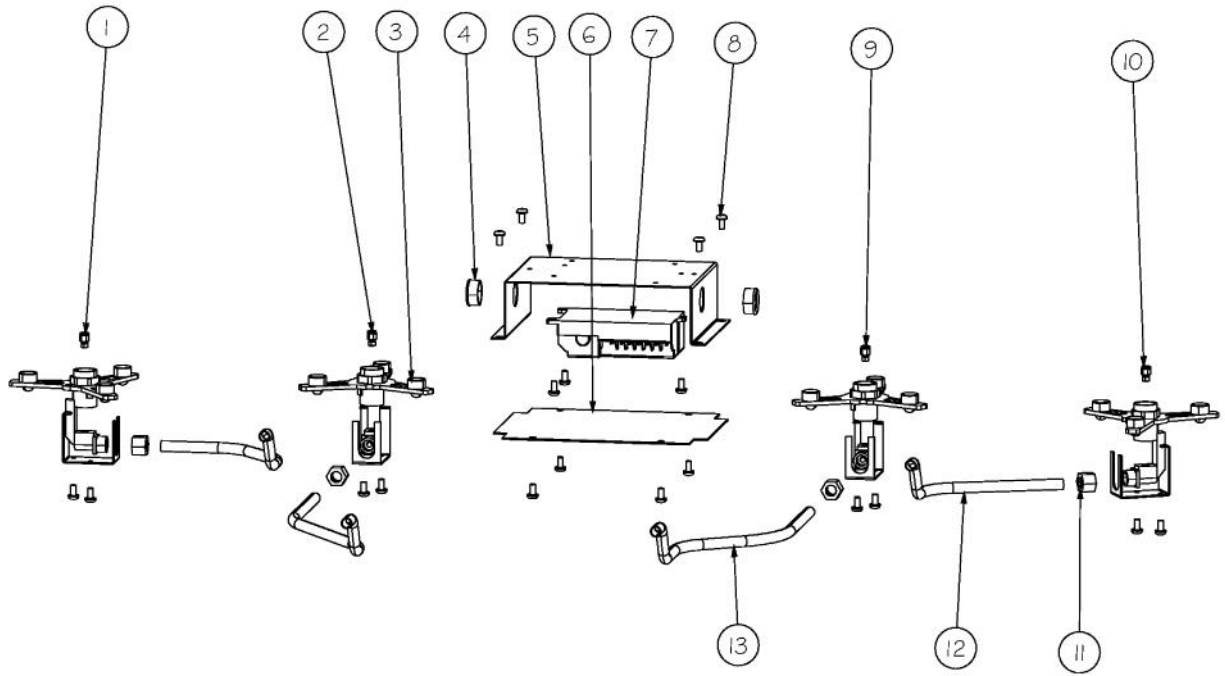


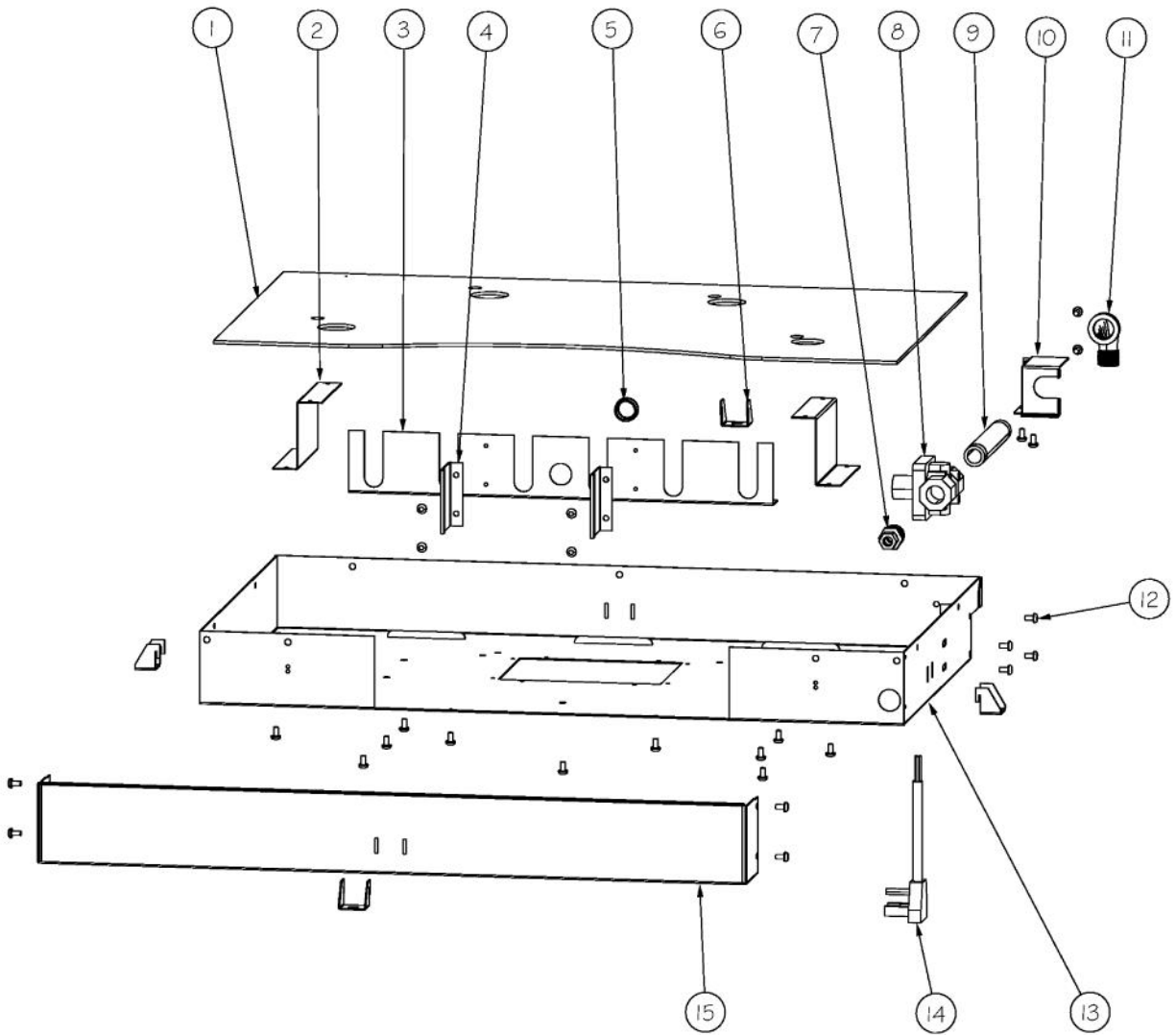
Ref #	Part Number	Qty.	Description
1	PB010200	4	GAS DESIGNER COOKTOP KNOB
NI	PB010200PVD	4	GAS DESIGNER COOKTOP KNOB - BRASS
NI	PB010214	4	GAS DESIGNER COOKTOP KNOB - WH
NI	PB010214PVD	4	GAS DESIGNER COOKTOP KNOB - BRASS
2	PB070079	4	SILICONE EXTRUSION (DGSU)
3	PA020045	4	IGNITOR SWITCH
4	PA010161	4	SUB TO 007146-000 - COOKTOP REVERSE FLOW VALVE
5	PB040192	4	3/8`` CC FERREL (DGCU)
6	PD020004	4	10X3/8PH.HD.TYPE 25 REPL PD040125
7	PA050073	1	30 MANIFOLD WITH Z-BRACKET ASSY.



Ref #	Part Number	Qty.	Description
1	PA080072	1	BK MATTE BURNER CAP
2	PA060055	4	GRATES BK
3	PA080070	1	BK MATTE BURNER CAP
4	PA080068	1	BK MATTE BURNER CAP
5	PA080066	1	BURNER CAP MATTE BLACK
6	PA080063	1	B`` BURNER HEAD (9,000 BTU) DGC
7	PA080062	1	A`` BURNER HEAD (6,000 BTU) DGCU
8	PD030067	2	BURNER VENTURI A & B (DGCU)
9	PD040057	1	A-BURNER ALIGNMENT BUSHING (DGCU)
10	PA080060	1	A BURNER BASE DGCU
11	PB070061	1	B.BASE O-RING (VGSU) NO.25-000-004-28
12	PB070060	1	B.BASE O-RING (VGSU) NO.25-000-004-27
13	PD020004	1	10X3/8PH.HD.TYPE 25 REPL PD040125
14	N/A	1	HEAT SHIELD - MUST ORDER ITEM NO. 11
15	N/A	1	HEAT SHIELD - MUST ORDER ITEM NO. 11
NI	G5005743	1	DESIGNER TOP ASSY DGCU105-4BSB
NI	017724-000	1	DGCU 30 SW TOP ASM
16	PB070063	1	B.BASE O-RING (VGSU) NO.25-000-004-46
17	PB070062	1	B.BASE O-RING (VGSU) NO.25-000-004-33
18	PA080057	1	BURNER BASE ASM
19	PA080058	1	C BURNER BASE DGCU
20	PD040059	1	D-BURNER ALIGNMENT BUSHING (DGCU)
21	PD040058	2	B/C - BURNER ALIGNMENT BUSHING-DGCU
22	PD030068	2	VENTURI, C&D (DGCU)
23	PA080065	1	D`` BURNER HEAD (14,000 BTU) DGC
24	PA080064	1	C`` BURNER HEAD (12,000 BTU) DGC



Ref #	Part Number	Qty.	Description
1	PB040195	1	NO. 50 ORIFICE FOR SEALED BURNER
NI	PB040200	1	NO.57 ORIFICE - LP
2	PB040196	1	NO. 51 ORIFICE FOR SEALED BURNER
NI	PB040201	1	NO.61 ORIFICE FOR SEALED BURNER
3	PB050061	2	JET HOLDER (DGCU)
4	PD040005	2	SNAP BUSHING - 7/8
5	A2005717	1	SPARK MODULE BOX (DGCU)
6	A1005718	1	MODULE COVER
7	PA020041	1	TYTRONICS 0+4 SPARK MODULE
8	PD020004	19	10X3/8PH.HD.TYPE 25 REPL PD040125
9	PB040198	1	NO. 54 ORIFICE FOR SEALED BURNER
NI	PB040203	1	NO.65 ORIFICE FOR SEALED BURNER
10	PB040199	1	NATURAL ORIFICE NO.56
NI	PB040204	1	NO.67 LP
11	PB040192	4	3/8`` CC FERREL (DGCU)
12	PB020190	2	10 FLEX TUBE
13	PB020126	2	3/8`` S.S. FLEX TUBING 15`` (DGCU)



Ref #	Part Number	Qty.	Description
1	B1008401	1	DGCU 30 GLASS SHIELD
2	A20012993	2	GLASS SHIELD BRACKET
3	A2005720	1	30`` TUBE BRACKET DGCU
4	A2008404	2	DGCU TOP SUPPORT BRACKET
5	PD040005	1	SNAP BUSHING - 7/8
6	A2005721	4	MOUNT BRACKET (DECU)
7	PB040191	1	3/8``CC TO 3/4`` ADAPTER (DGCU)
8	PA070004	1	PRESSURE REG.(NAT.) RV47L-77-5.0
NI	PA070005	1	PRESSURE REG.(LP) RV47L-77-10.0
9	PB040175	1	1/2 PIPE NIPPLE (6.375 LONG)
10	A20013151	1	SUPPLY BRACKET
11	PA050085	1	1/2 STREET ELBOW
12	PD020004	27	10X3/8PH.HD.TYPE 25 REPL PD040125
13	A2005712	1	BURNER BOX DGCU30
14	G4007440	1	SUPPLY CORD ASSY
15	A3005722	1	DGCU30 CONTROL PANEL COVER