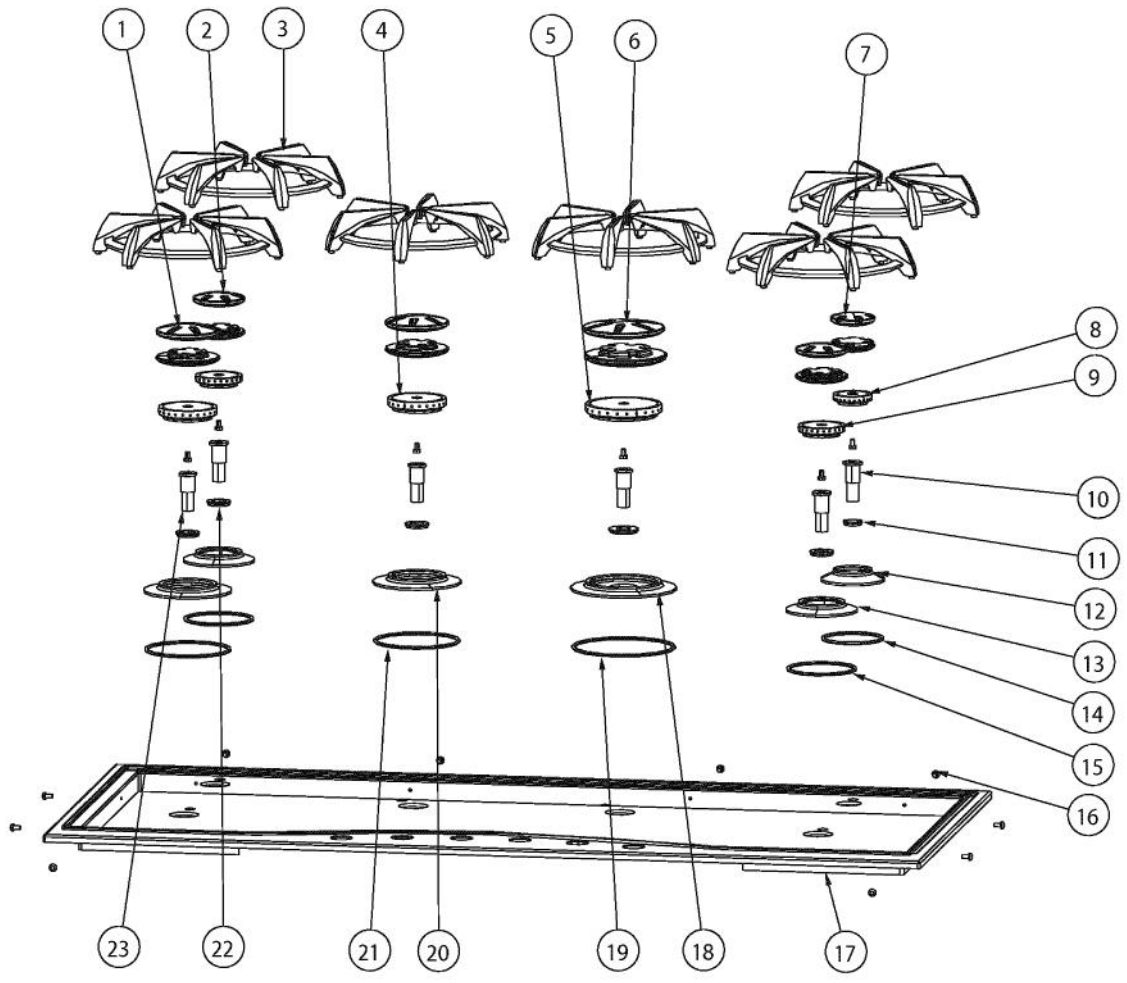
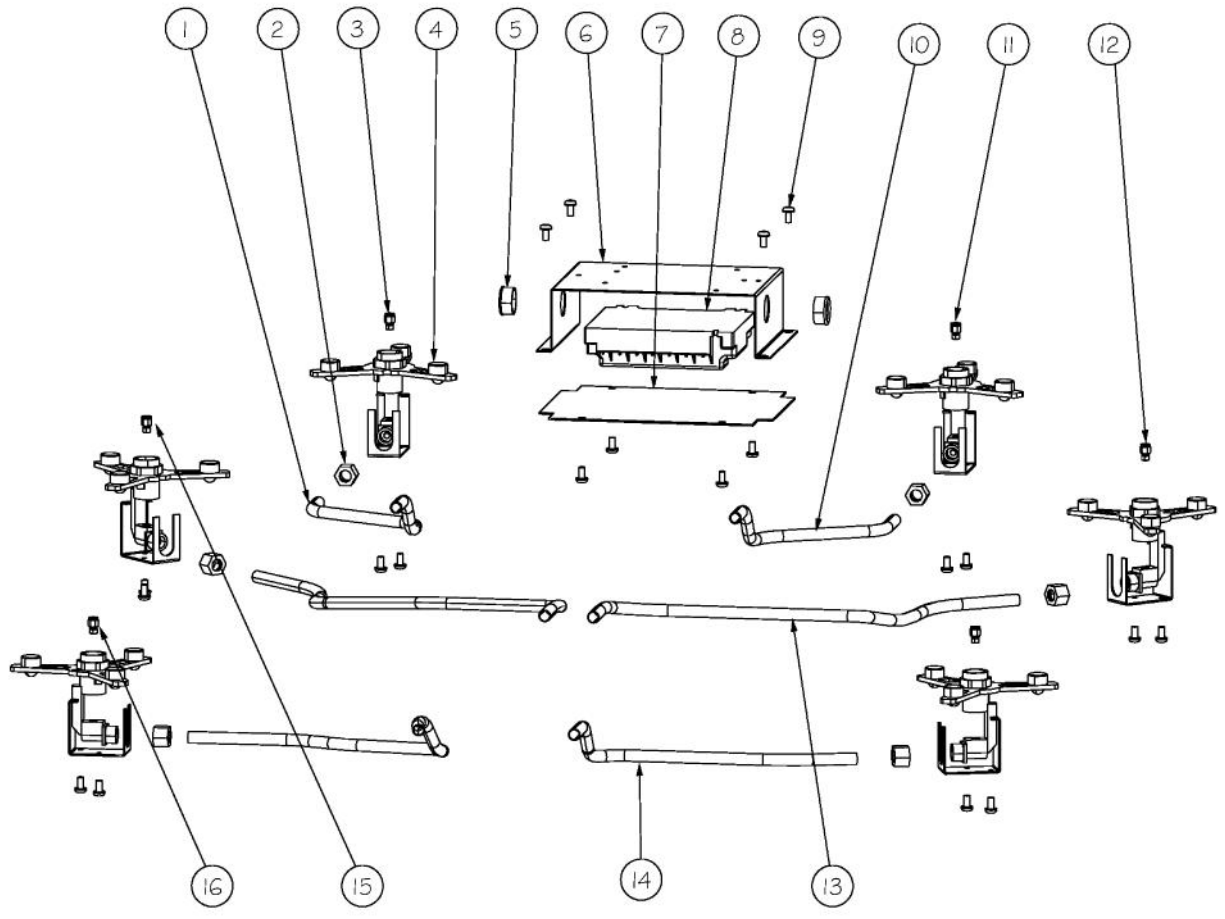


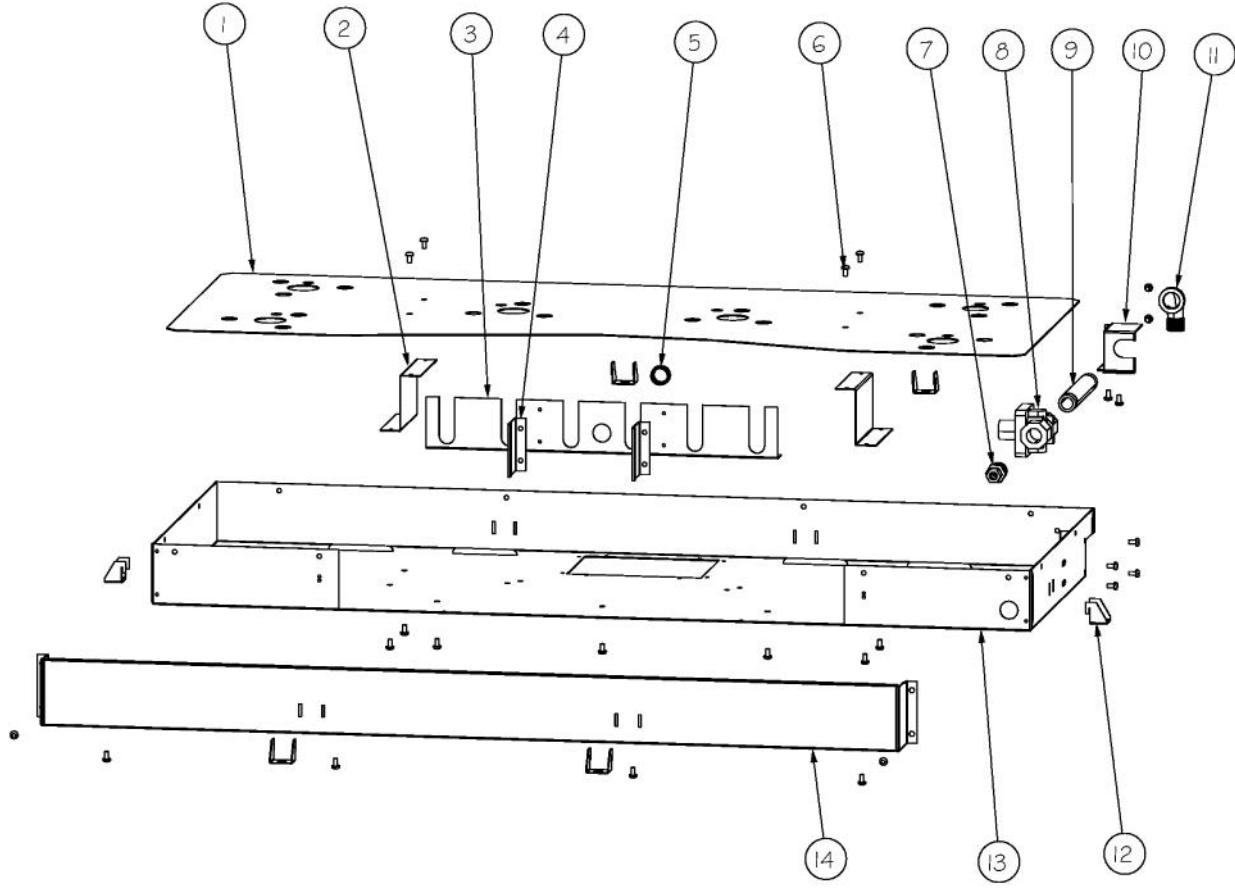
Ref #	Part Number	Qty.	Description
1	PB010200	6	GAS DESIGNER COOKTOP KNOB
NI	PB010200PVD	6	GAS DESIGNER COOKTOP KNOB - BRASS
NI	PB010214	6	GAS DESIGNER COOKTOP KNOB - WH
NI	PB010214PVD	6	GAS DESIGNER COOKTOP KNOB - BRASS
2	PB070079	6	SILICONE EXTRUSION (DGSU)
3	PA010094	6	SUB TO 003577-000 - DGCU GAS VALVE (DESIGNER SERIES)
4	PD020004	2	10X3/8PH.HD.TYPE 25 REPL PD040125
5	PA050075	1	42 CS MANIFOLD ASSY
6	PA020045	6	IGNITOR SWITCH



Ref #	Part Number	Qty.	Description
1	PA080070	2	BK MATTE BURNER CAP
NI	PA080071	2	GRAY MATTE BURNER CAP
2	PA080068	2	BK MATTE BURNER CAP
NI	PA080069	2	GRAY MATTE BURNER CAP
3	PA060055	6	GRATES BK
NI	PA060056	6	DGCU GRATE MATTE GRAY
4	PA080064	2	C`` BURNER HEAD (12,000 BTU) DGC
5	PA080065	1	D`` BURNER HEAD (14,000 BTU) DGC
6	PA080072	1	BK MATTE BURNER CAP
NI	PA080073	1	GRAY MATTE BURNER CAP
7	PA080066	1	BURNER CAP MATTE BLACK
NI	PA080067	1	GRAY MATTE BURNER CAP
8	PA080062	1	A`` BURNER HEAD (6,000 BTU) DGCU
9	PA080063	2	B`` BURNER HEAD (9,000 BTU) DGC
10	PD030067	3	BURNER VENTURI A & B (DGCU)
11	PD040057	1	A-BURNER ALIGNMENT BUSHING (DGCU)
12	PA080060	1	A BURNER BASE DGCU
13	PA080059	2	B BURNER BASE DGCU
14	PB070060	1	B.BASE O-RING (VGSU) NO.25-000-004-27
15	PB070061	2	B.BASE O-RING (VGSU) NO.25-000-004-28
16	PD020004	10	10X3/8PH.HD.TYPE 25 REPL PD040125
17	G5005745	1	DESIGNER TOP ASSY DGCU155-6BSB
17	G5005746	1	DESIGNER TOP ASSY DGCU155-6BSW
18	PA080057	1	BURNER BASE ASM
19	PB070063	1	B.BASE O-RING (VGSU) NO.25-000-004-46
20	PA080058	2	C BURNER BASE DGCU
21	PB070062	2	B.BASE O-RING (VGSU) NO.25-000-004-33
22	PD040058	5	B/C - BURNER ALIGNMENT BUSHING-DGCU
23	PD030068	3	VENTURI, C&D (DGCU)



Ref #	Part Number	Qty.	Description
1	PB020116	1	TUBING - 10 FLEXIBLE 12 & 24
2	PB040192	6	3/8`` CC FERREL (DGPU)
3	PB040197	1	NO. 53 ORIFICE FOR SEALED BURNER
NI	PB040202	1	NO.63 ORIFICE FOR SEALED BURNER
4	PB050061	6	JET HOLDER (DGPU)
5	PD040005	2	SNAP BUSHING - 7/8
6	A2005717	1	SPARK MODULE BOX (DGPU)
7	A1005718	1	MODULE COVER
8	PA020042	1	TYTRONICS 0+6 SPARK MODULE
9	PD020004	20	10X3/8PH.HD.TYPE 25 REPL PD040125
10	PB020116	1	TUBING - 10 FLEXIBLE 12 & 24
11	PB040195	1	NO. 50 ORIFICE FOR SEALED BURNER
NI	PB040200	1	NO.57 ORIFICE - LP
12	PB040199	1	NATURAL ORIFICE NO.56
NI	PB040204	1	NO.67 LP
13	PB020127	2	3/8`` S.S. FLEX TUBING 20`` (DGPU)
14	PB020126	2	3/8`` S.S. FLEX TUBING 15`` (DGPU)
15	PB040196	1	NO. 51 ORIFICE FOR SEALED BURNER
NI	PB040201	1	NO.61 ORIFICE FOR SEALED BURNER
16	PB040198	2	NO. 54 ORIFICE FOR SEALED BURNER
NI	PB040203	2	NO.65 ORIFICE FOR SEALED BURNER



Ref #	Part Number	Qty.	Description
1	B1008403	1	DGCU 45 GLASS SHIELD
2	A20012993	2	GLASS SHIELD BRACKET
3	A2005720	1	30`` TUBE BRACKET DGCU
4	A2008404	2	DGCU TOP SUPPORT BRACKET
5	PD040005	1	SNAP BUSHING - 7/8
6	PD020004	25	10X3/8PH.HD.TYPE 25 REPL PD040125
7	PB040191	1	3/8``CC TO 3/4`` ADAPTER (DGCU)
8	PA070004	1	PRESSURE REG.(NAT.) RV47L-77-5.0
NI	PA070005	1	PRESSURE REG.(LP) RV47L-77-10.0
9	PB040175	1	1/2 PIPE NIPPLE (6.375 LONG)
10	A20013151	1	SUPPLY BRACKET
11	PA050085	1	1/2 STREET ELBOW
12	A2005721	6	MOUNT BRACKET (DECU)
13	A2005714	1	DGCU 45 BURNER BOX
14	A3005711	1	DECU/DGCU CONTROL PANEL COVER