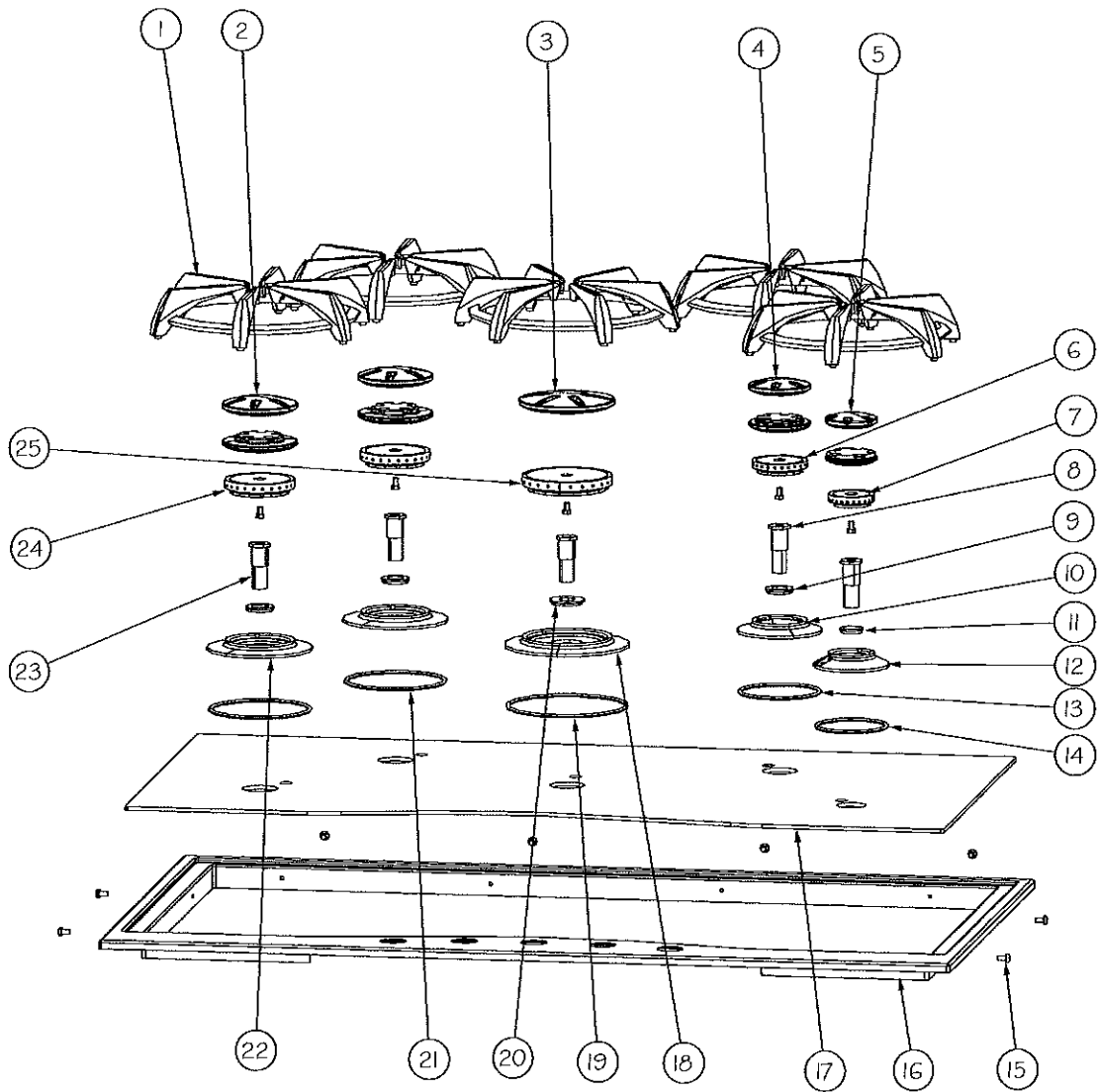
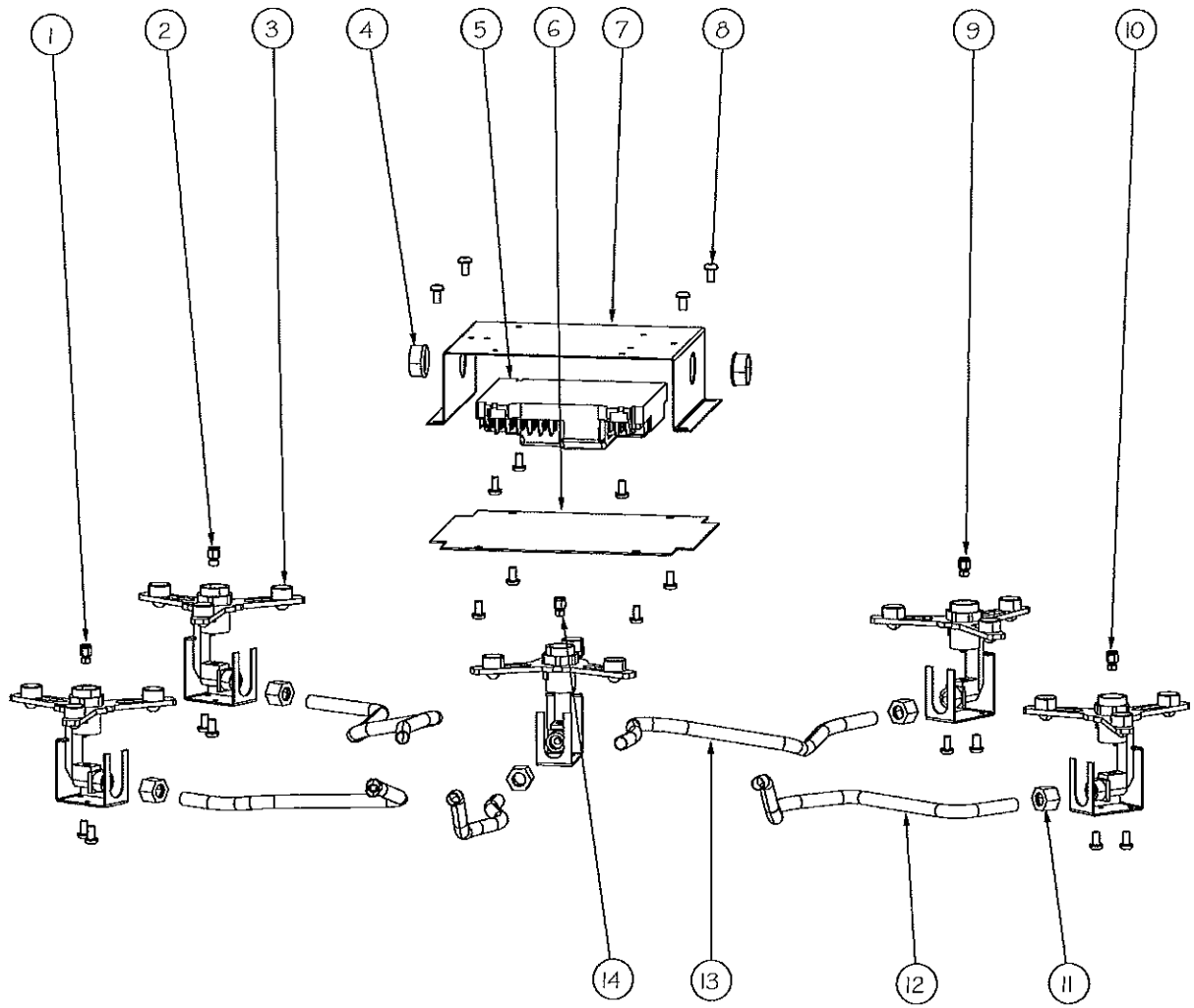


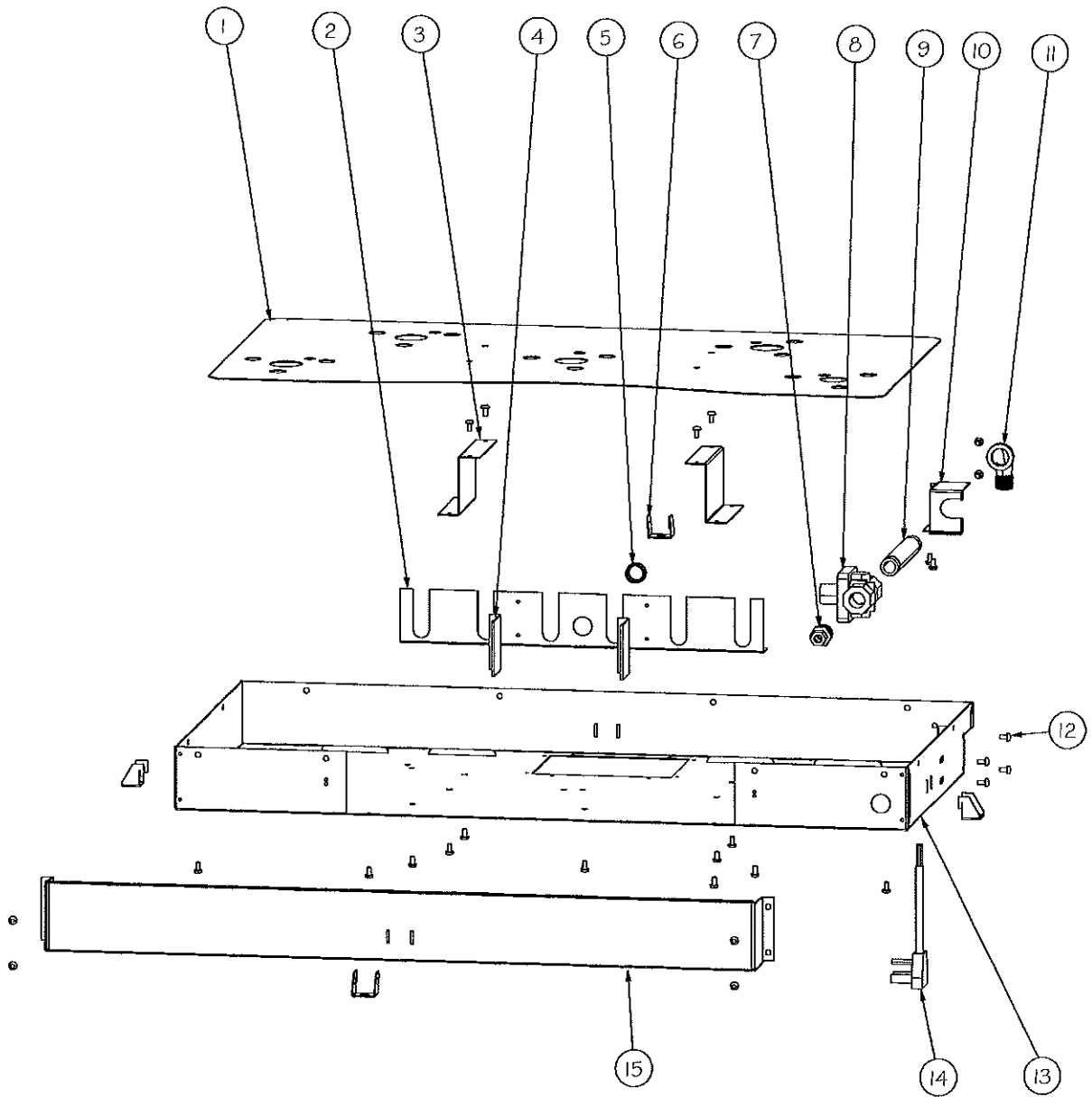
Ref #	Part Number	Qty.	Description
1	PB010200	5	GAS DESIGNER COOKTOP KNOB
NI	PB010200PVD	5	GAS DESIGNER COOKTOP KNOB - BRASS
NI	PB010214	5	GAS DESIGNER COOKTOP KNOB - WH
NI	PB010214PVD	5	GAS DESIGNER COOKTOP KNOB - BRASS
2	PB070079	5	SILICONE EXTRUSION (DGSU)
3	PA020045	5	IGNITOR SWITCH
4	PA010161	5	SUB TO 007146-000 - COOKTOP REVERSE FLOW VALVE
5	PB040192	5	3/8" CC FERREL (DGCU)
6	PA050074	1	36 CS MANIFOLD WITH Z-BRACKET



Ref #	Part Number	Qty.	Description
1	PA060055	5	GRATES BK
2	PA080070	2	BK MATTE BURNER CAP
3	PA080072	1	BK MATTE BURNER CAP
4	PA080068	1	BK MATTE BURNER CAP
5	PA080066	1	BURNER CAP MATTE BLACK
6	PA080063	1	B`` BURNER HEAD (9,000 BTU) DGC
7	PA080062	1	A`` BURNER HEAD (6,000 BTU) DGCU
8	PD030067	2	BURNER VENTURI A & B (DGCU)
9	PD040058	3	B/C - BURNER ALIGNMENT BUSHING-DGCU
10	PA080059	1	B BURNER BASE DGCU
11	PD040057	1	A-BURNER ALIGNMENT BUSHING (DGCU)
12	PA080060	1	A BURNER BASE DGCU
13	PB070061	1	B.BASE O-RING (VGSU) NO.25-000-004-28
14	PB070060	1	B.BASE O-RING (VGSU) NO.25-000-004-27
15	PD020004	8	10X3/8PH.HD.TYPE 25 REPL PD040125
16	014777-000	1	TOP, ASM, DGC165-5B
NI	014777-000	1	TOP, ASM, DGC165-5B
17	PE040115	1	36`` DGCU GLASS BLACK
NI	PE040123	1	36 DGCU GLASS (WHITE)
18	PA080057	1	BURNER BASE ASM
19	PB070063	1	B.BASE O-RING (VGSU) NO.25-000-004-46
20	PD040059	1	D-BURNER ALIGNMENT BUSHING (DGCU)
21	PB070062	2	B.BASE O-RING (VGSU) NO.25-000-004-33
22	PA080058	2	C BURNER BASE DGCU
23	PD030068	2	VENTURI, C&D (DGCU)
24	PA080064	2	C`` BURNER HEAD (12,000 BTU) DGC
25	PA080065	1	D`` BURNER HEAD (14,000 BTU) DGC



Ref #	Part Number	Qty.	Description
1	PB040196	1	NO. 51 ORIFICE FOR SEALED BURNER
NI	PB040200	1	NO.57 ORIFICE - LP
3	PB050061	2	JET HOLDER (DGCU)
4	PD040005	2	SNAP BUSHING - 7/8
5	PA020042	1	TYTRONICS 0+6 SPARK MODULE
6	A1005718	1	MODULE COVER
7	A2005717	1	SPARK MODULE BOX (DGCU)
8	PD020004	19	10X3/8PH.HD.TYPE 25 REPL PD040125
9	PB040198	1	NO. 54 ORIFICE FOR SEALED BURNER
NI	PB040202		NO.63 ORIFICE FOR SEALED BURNER
10	PB040199	1	NATURAL ORIFICE NO.56
NI	PB040203	1	NO.65 ORIFICE FOR SEALED BURNER
11	PB040192	5	3/8`` CC FERREL (DGCU)
12	PB020190	3	10 FLEX TUBE
13	PB020126	2	3/8`` S.S. FLEX TUBING 15`` (DGCU)
14	PB040195	1	NO. 50 ORIFICE FOR SEALED BURNER
NI	PB040200	1	NO.57 ORIFICE - LP



Ref #	Part Number	Qty.	Description
1	A1008402	1	GLASS SHIELD-DGCU 36"
2	A2005720	1	30" TUBE BRACKET DGCU
3	A20012993	2	GLASS SHIELD BRACKET
4	A2008404	2	DGCU TOP SUPPORT BRACKET
5	PD040005	1	SNAP BUSHING - 7/8
6	A2005721	4	MOUNT BRACKET (DECU)
7	PB040191	1	3/8" CC TO 3/4" ADAPTER (DGCU)
8	PA070004	1	PRESSURE REG.(NAT.) RV47L-77-5.0
NI	PA070005	1	PRESSURE REG.(LP) RV47L-77-10.0
9	PB040175	1	1/2 PIPE NIPPLE (6.375 LONG)
10	A20013151	1	SUPPLY BRACKET
11	PA050085	1	1/2 STREET ELBOW
12	PD020004	27	10X3/8PH.HD.TYPE 25 REPL PD040125
13	A2005713	1	DGCU36 BURNER BOX
14	G4007440	1	SUPPLY CORD ASSY
15	A3005710	1	36 CS CONTROL PANEL COVER

*No Image  
Available*

Ref #	Part Number	Qty.	Description
NI	G4005731	1	WIRING HARNESS (DGPU 36``)
NI	G4003056	1	NUETRAL WIRE - (VGSU101/161)
NI	G4001678	5	WIRE ASSY XALX 36
NI	G4001648	4	SPARK IGNITER WIRE (22)
NI	G4001593	1	SPARK MODULE-TOP BRNR SPARKER (16)
NI	G4000936	2	GROUND WIRE
NI	G4001656	1	SPARK MODULE GROUND WIRE