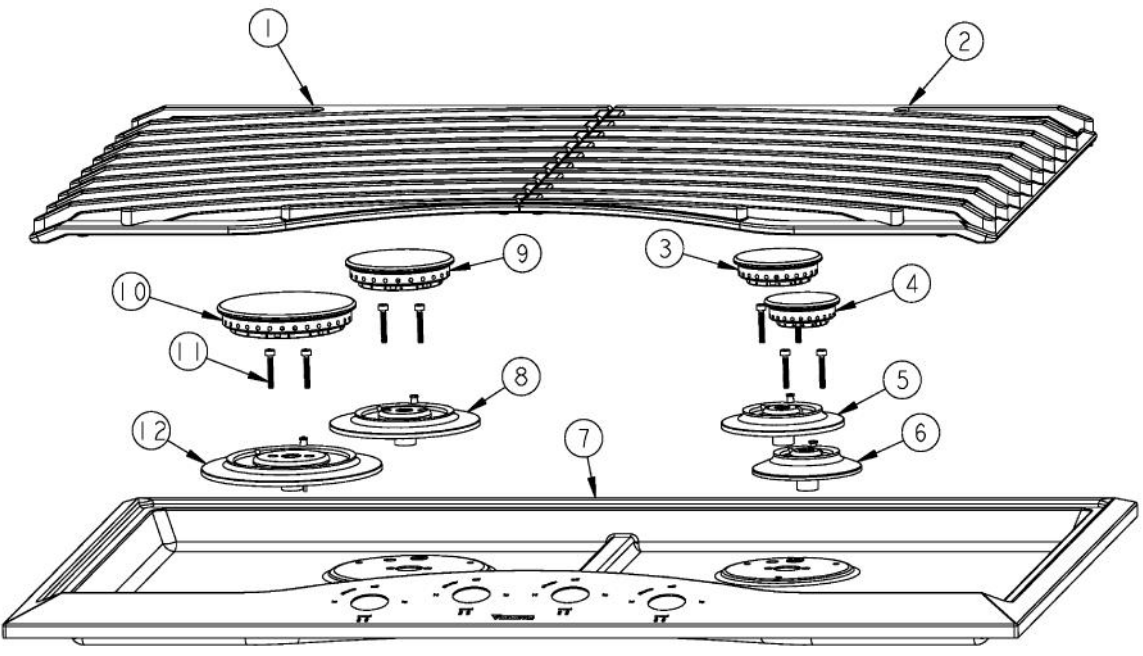
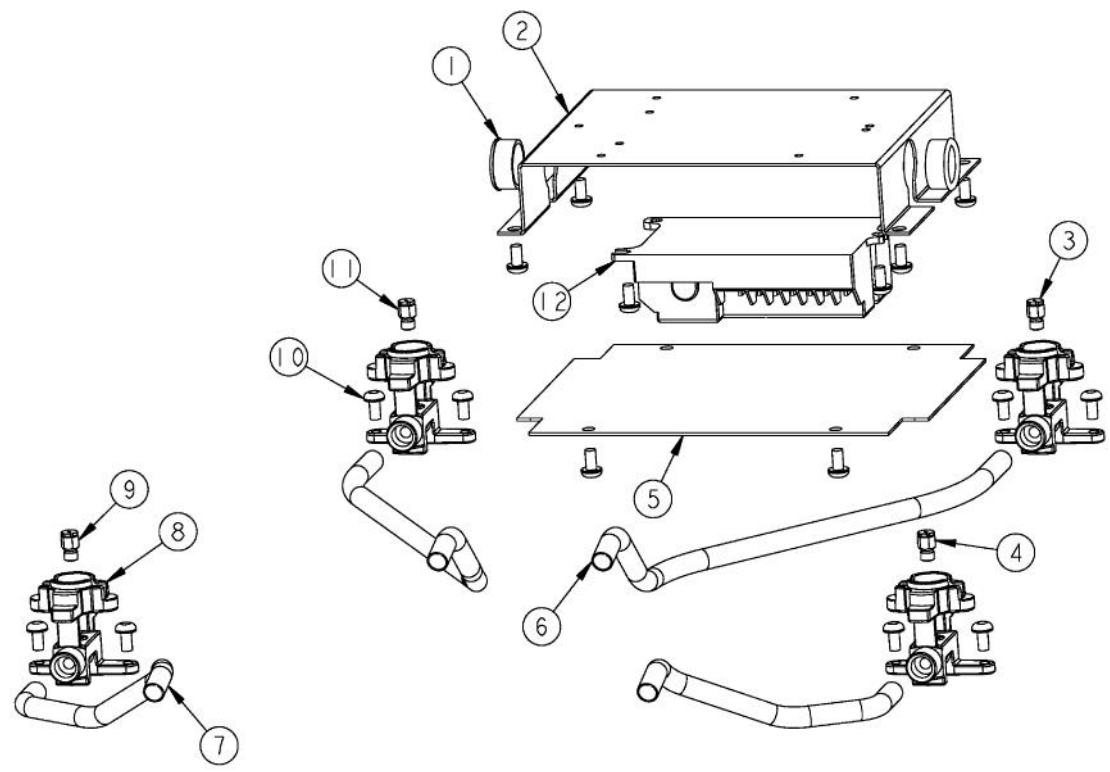


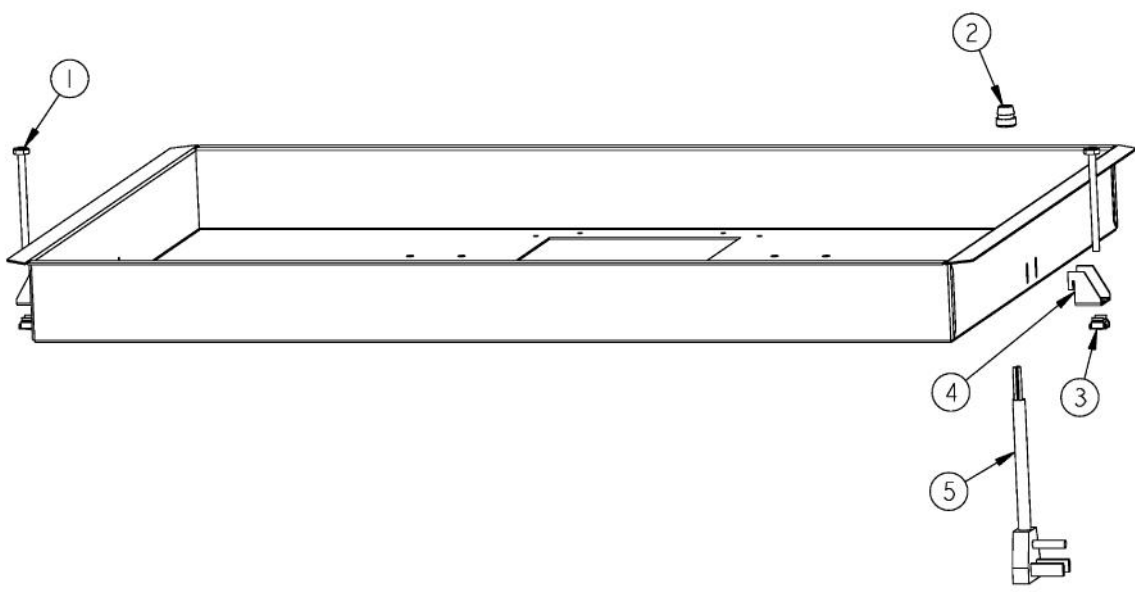
Ref #	Part Number	Qty.	Description
1	A20014779		DGSU MANIFOLD BRACKET
2	PD020004		10X3/8PH.HD.TYPE 25 REPL PD040125
3	PA020015		SPARK IGNITION SWITCH (BEFORE 02/09/06)
NI	PA020045		IGNITOR SWITCH (AFTER 02/09/06)
4	PB010200		GAS DESIGNER COOKTOP KNOB
4	PB010200PVD		GAS DESIGNER COOKTOP KNOB - BRASS
4	PB010214		GAS DESIGNER COOKTOP KNOB - WH
4	PB010214PVD		GAS DESIGNER COOKTOP KNOB - BRASS
5	PB070079		SILICONE EXTRUSION (DGSU)
6	PA010094		SUB TO 003577-000 - DGCU GAS VALVE (DESIGNER SERIES) (BEFORE 02/09/06)
NI	PA010161		SUB TO 007146-000 - COOKTOP REVERSE FLOW VALVE (AFTER 02/09/06)
7	PB040231		90 DEGREE BULKHEAD ELBOW W / LOCKNUT
8	PB020189		5/8 FLEX TUBE
9	PA050088		DGSU100 MANIFOLD
10	PD010012		VALVE BOLT 1/4-20 UNC-2B 5/16 M.S.
11	PA070004		PRESSURE REG.(NAT.) RV47L-77-5.0 (NATURAL GAS)
NI	PA070005		PRESSURE REG.(LP) RV47L-77-10.0 (LP GAS)



Ref #	Part Number	Qty.	Description
1	PA060066		100 LEFT GRATE (BEFORE 12/16/06)
1	PA060077		100 LEFT GRATE (GRAY) (BEFORE 12/16/06)
1	PA060093		LH DGSU100 GRATE (BLACK) (AFTER 12/16/06)
1	PA060095		LH DGSU100 GRATE (GRAY) (AFTER 12/16/06)
2	PA060067		100 RIGHT GRATE (BEFORE 12/16/06)
2	PA060078		100 RIGHT GRATE (GRAY) (BEFORE 12/16/06)
2	PA060092		RH DGSU100 GRATE BLK (AFTER 12/16/06)
2	PA060094		RH DGSU100 GRATE GRAY (AFTER 12/16/06)
3	PA080090		B-BURNER
3	PA080094		B-BURNER (GREY)
4	PA080091		A-BURNER
4	PA080095		A-BURNER (GRAY)
5	PB050071		B-BASE (INCLUDES IGNITER)
6	PB050072		A-BASE (INCLUDES IGNITER)
7	B92014572SS		DGSU100 TOP - SS
7	E92014572BT		DGSU100 TOP XBTX
7	E92014572GG		DGSU100 TOP XGGX
7	E92014572SG		DGSU100 TOP XSGX
7	E92014572WH		DGSU100 TOP XWHX
7	E92014572BK		DGSU100 TOP XBKX
8	PB050070		C-BASE (INCLUDES IGNITER)
9	PA080089		C-BURNER
	PA080093		C-BURNER (GRAY)
10	PA080088		D-BURNER
	PA080092		D-BURNER (GRAY)
11	PD020159		DGSU BURNER BASE SCREW
12	PB050069		D-BASE (INCLUDES IGNITER)



Ref #	Part Number	Qty.	Description
1	PD040005		SNAP BUSHING - 7/8
2	A2007834		MODULE BRACKET
3	PB040199		NATURAL ORIFICE NO.56 (NATURAL GAS)
3	PB040204		NO.67 LP (LP GAS)
4	PB040236		NO.55 NAT (NATURAL GAS)
4	PB040203		NO.65 ORIFICE FOR SEALED BURNER (LP GAS)
5	A1005718		MODULE COVER
6	PB020191		15 FLEX TUBE
7	PB020190		10 FLEX TUBE
8	PB050067		JETHOLDER
9	PB040196		NO. 51 ORIFICE FOR SEALED BURNER (NATURAL GAS)
9	PB040200		NO.57 ORIFICE - LP (LP GAS)
10	PD020004		10X3/8PH.HD.TYPE 25 REPL PD040125
11	PB040197		NO. 53 ORIFICE FOR SEALED BURNER (NATURAL GAS)
11	PB040201		NO.61 ORIFICE FOR SEALED BURNER (LP GAS)
12	PA020041		TYTRONICS 0+4 SPARK MODULE



Ref #	Part Number	Qty.	Description
1	PD020123		BOLT 1/4-20 X 3 HEX HD
2	PE070069		STRAIGHT-THRU BUSHING
3	PD030029		SELF RETAINING NUT (1/4-20)
4	A2005721		MOUNT BRACKET (DECU)
5	G4007440		SUPPLY CORD ASSY



*No Image  
Available*

Ref #	Part Number	Qty.	Description
1	PE070872		DGSU100 WIRE HARNESS

*No Image  
Available*

Ref #	Part Number	Qty.	Description
1	PE070817		IGNITOR SWITCH HARNESS 4B, 30