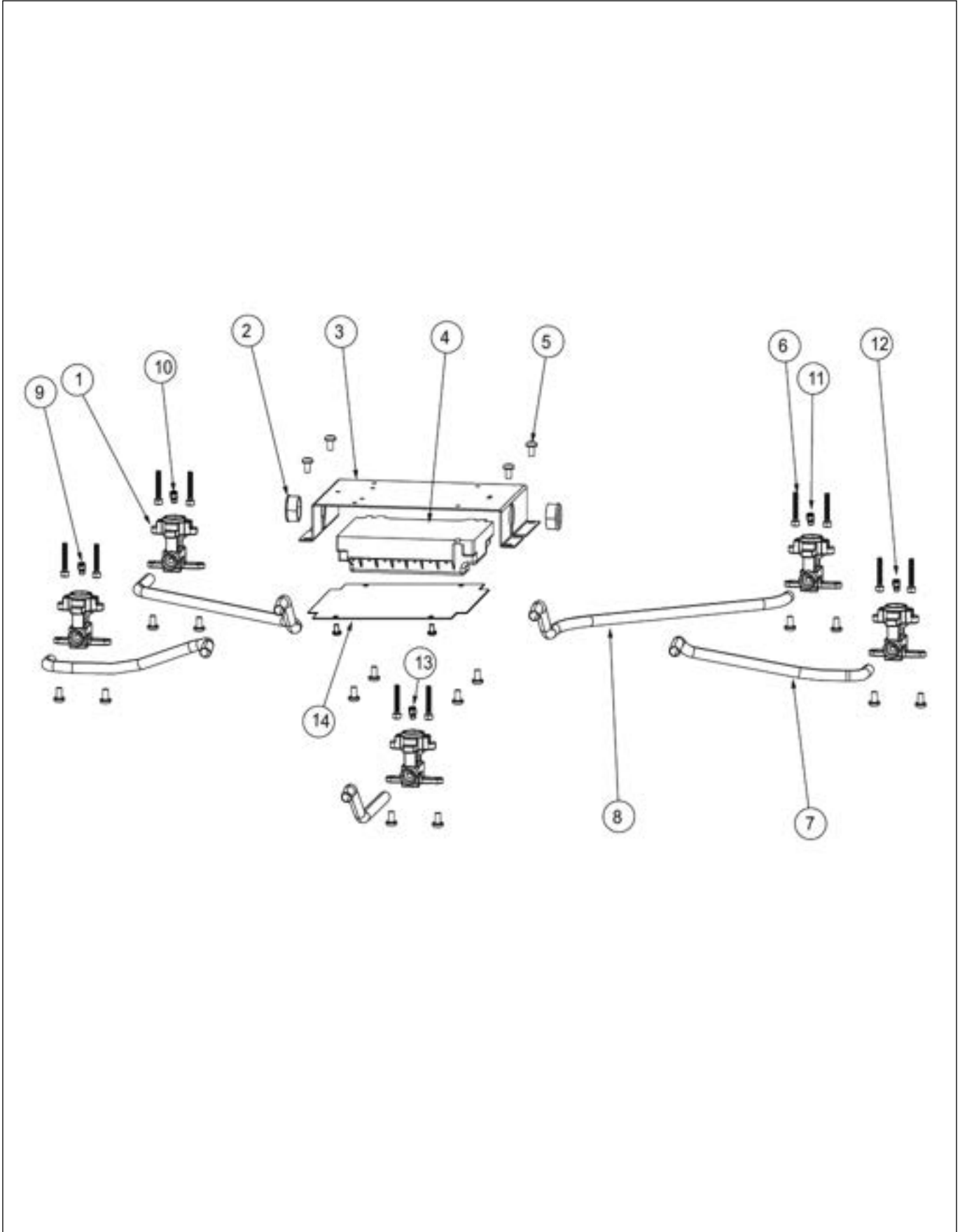


# DGSU160-5B

BURNER BOX INTERIOR .....	1
CONTROL AREA .....	2
SURFACE COOKING AREA .....	3
UNIT EXTERIOR .....	4
IGNITER SWITCH HARNESS .....	5
WIRE HARNESS .....	6
Appendix A:Pages Index .....	A
Appendix B:Parts Index .....	B

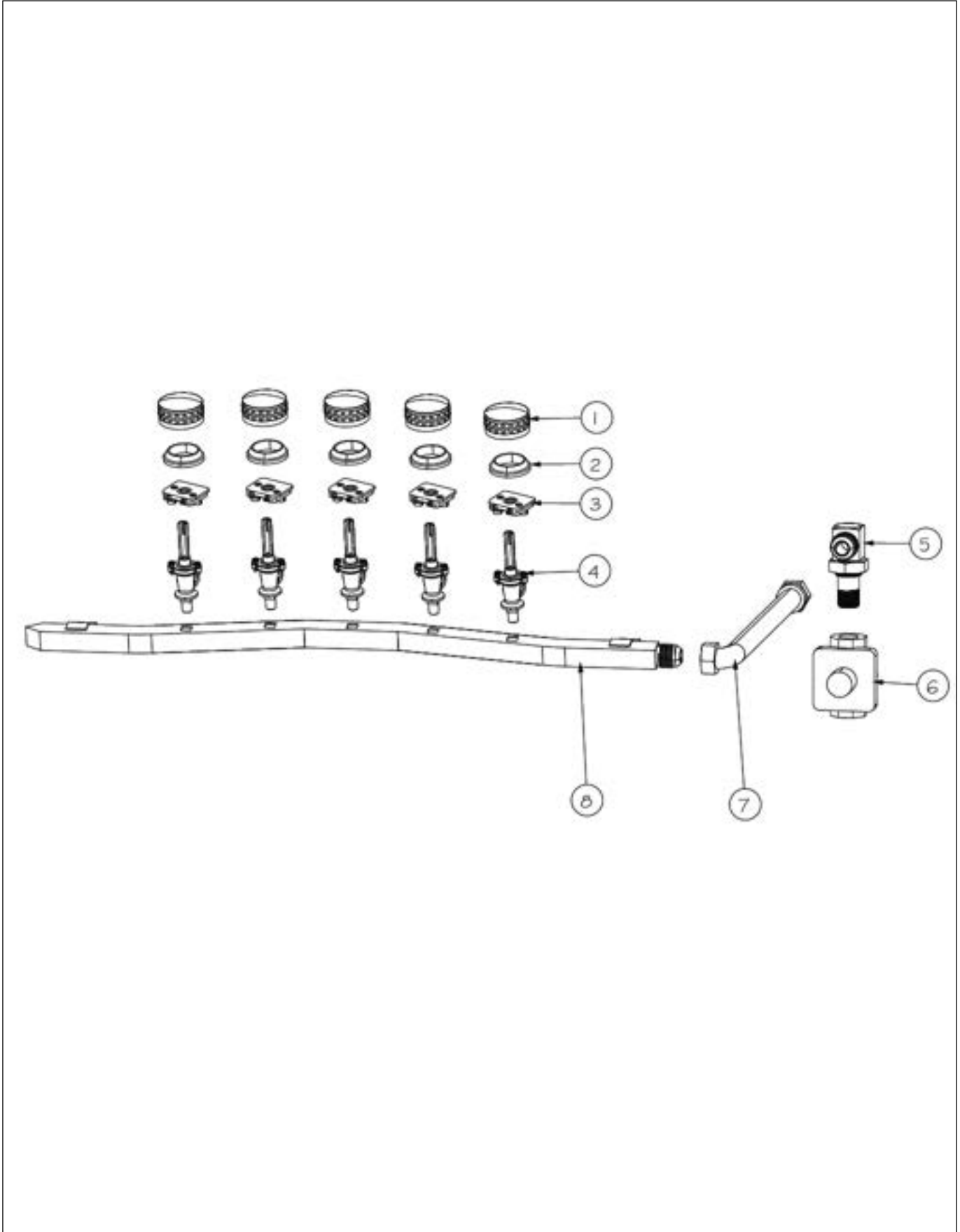
### BURNER BOX INTERIOR





Item	Part No.	Name	Qty	Uom	NOTES
1	PB050067	JETHOLDER	4	EA	
2	PD040005	SNAP BUSHING - 7/8"	2	EA	
3	A2007834	MODULE BRACKET	1	EA	NO LONGER AVAILABLE, Not available online / Call for pricing and availability
4	PA020042	Spark Module	1	EA	
5	PD020004	10X3/8PH.HD.TYPE 25 REPL PD040125	18	EA	
6	PD020159	DGSU BURNER BASE SCREW	10	EA	
7	PB020190	10" FLEX TUBE	3	EA	
8	PB020198	20" FLEX TUBING	2	EA	
9	PB040198	# 54 ORIFICE FOR SEALED BURNER	1	EA	
Not Shown	PB040202	NO.63 ORIFICE FOR SEALED BURNER - LP	1	EA	
10	PB040197	# 53 ORIFICE FOR SEALED BURNER	1	EA	
Not Shown	PB040201	#61 ORIFICE FOR SEALED BURNER	1	EA	
11	PB040236	#55 NAT	1	EA	
Not Shown	PB040203	#65 ORIFICE FOR SEALED BURNER	1	EA	
12	PB040199	ORIFICE NO.56	1	EA	
Not Shown	PB040204	#67 LP	1	EA	
13	PB040196	# 51 ORIFICE FOR SEALED BURNER	1	EA	
Not Shown	PB040200	#57 ORIFICE - LP	1	EA	
14	A1005718	MODULE COVER	1	EA	NO LONGER AVAILABLE, Not available online / Call for pricing and availability

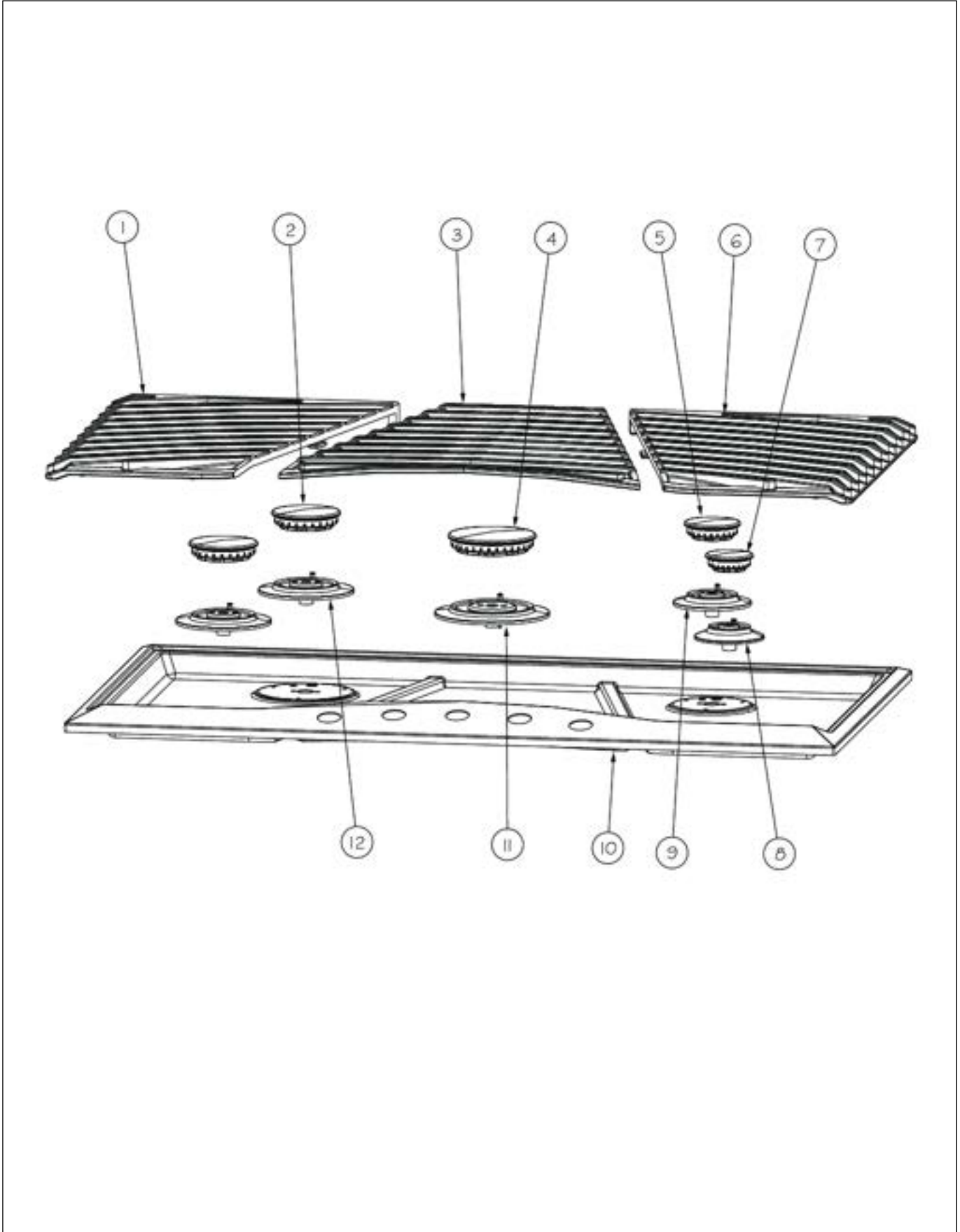
CONTROL AREA





Item	Part No.	Name	Qty	Uom	NOTES
1	PB010200	GAS DESIGNER COOKTOP KNOB	5	EA	
NI	PB010200PVD	GAS DESIGNER COOKTOP KNOB - BRASS	5	EA	
NI	PB010214	GAS DESIGNER COOKTOP KNOB - WH	5	EA	NO LONGER AVAILABLE
NI	PB010214PVD	GAS DESIGNER COOKTOP KNOB - BRASS	5	EA	
2	PB070079	SILICONE EXTRUSION (DGSU)	5	EA	
3	PA020015	Spark Ignition Switch	5	EA	
4	003577-000	DGCU GAS VALVE (DESIGNER SERIES)	5	EA	
Not Shown	NOTE	(BEFORE 02/09/06)		EA	
4	007146-000	COOKTOP REVERSE FLOW VALVE	5	EA	
Not Shown	NOTE	(ON OR AFTER 02/09/06)		EA	
5	PB040231	90 DEGREE BULKHEAD ELBOW W / LOCKNUT	1	EA	
6	PA070004	Pressure Regulator (Nat.)	1	EA	
6	PA070005	PRESSURE REG.(LP) RV47L-77-10.0	1	EA	
7	PB020189	5/8 FLEX TUBE	1	EA	
8	PA050087	DGSU160 MANIFOLD	1	EA	Not available online / Call for pricing and availability

SURFACE COOKING AREA

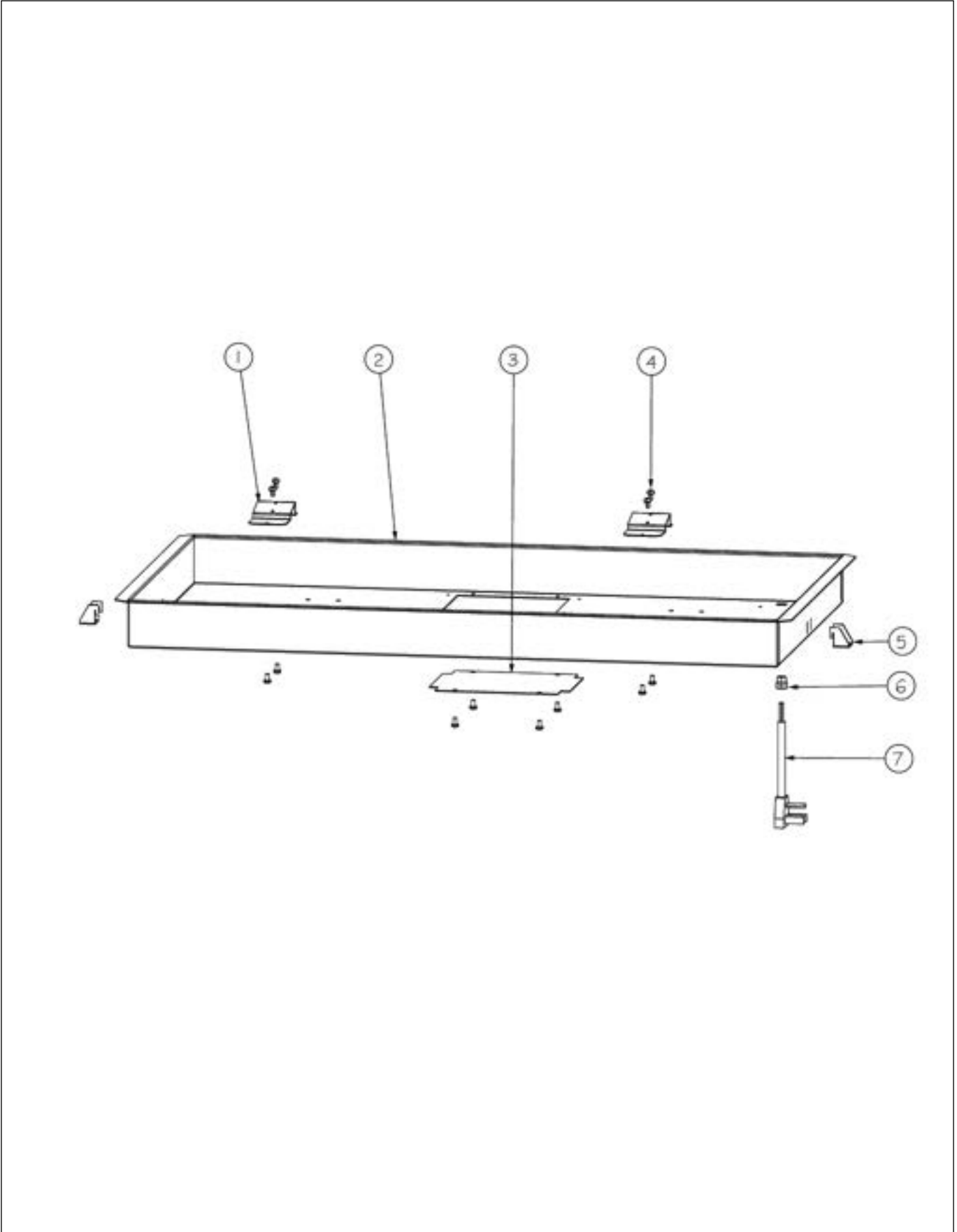




Item	Part No.	Name	Qty	Uom	NOTES
1	PA060085	LH DGSU160 GRATE (BLACK)	1	EA	
NI	PA060088	LH DGSU160 GRATE (GRAY)	1	EA	
2	PA080089	Burner-12,000 BTU(Front/Rear Center, Rear Left)-BK	2	EA	
3	PA060087	CENTER DGSU160 GRATE (BLACK)	1	EA	
NI	PA060090	CENTER DGSU160 GRATE (GRAY)	1	EA	NO LONGER AVAILABLE
4	PA080088	Burner - 14,000 BTU (Left Front) - BK	1	EA	
5	PA080090	Burner - 9,000 BTU (Right Rear) - BK	1	EA	
6	PA060086	RH DGSU160 GRATE (BLACK)	1	EA	
NI	PA060089	RH DGSU160 GRATE (GRAY)	1	EA	
7	PA080091	Burner - 6,000 BTU (Right Front) - BK	1	EA	
8	066192-000	BASE, BNR, ASSY, VGSU, A	1	EA	
9	066191-000	BASE, BNR, ASSY, VGSU, B	1	EACH	
10	014780-000	DGSU160 TOP - NLA	1	EA	
NI	E92014573WH	DGSU160 TOP *WH*	1	EA	NO LONGER AVAILABLE
11	PB050069	D-BASE	1	EA	
12	PB050070	C-BASE	2	EA	



UNIT EXTERIOR

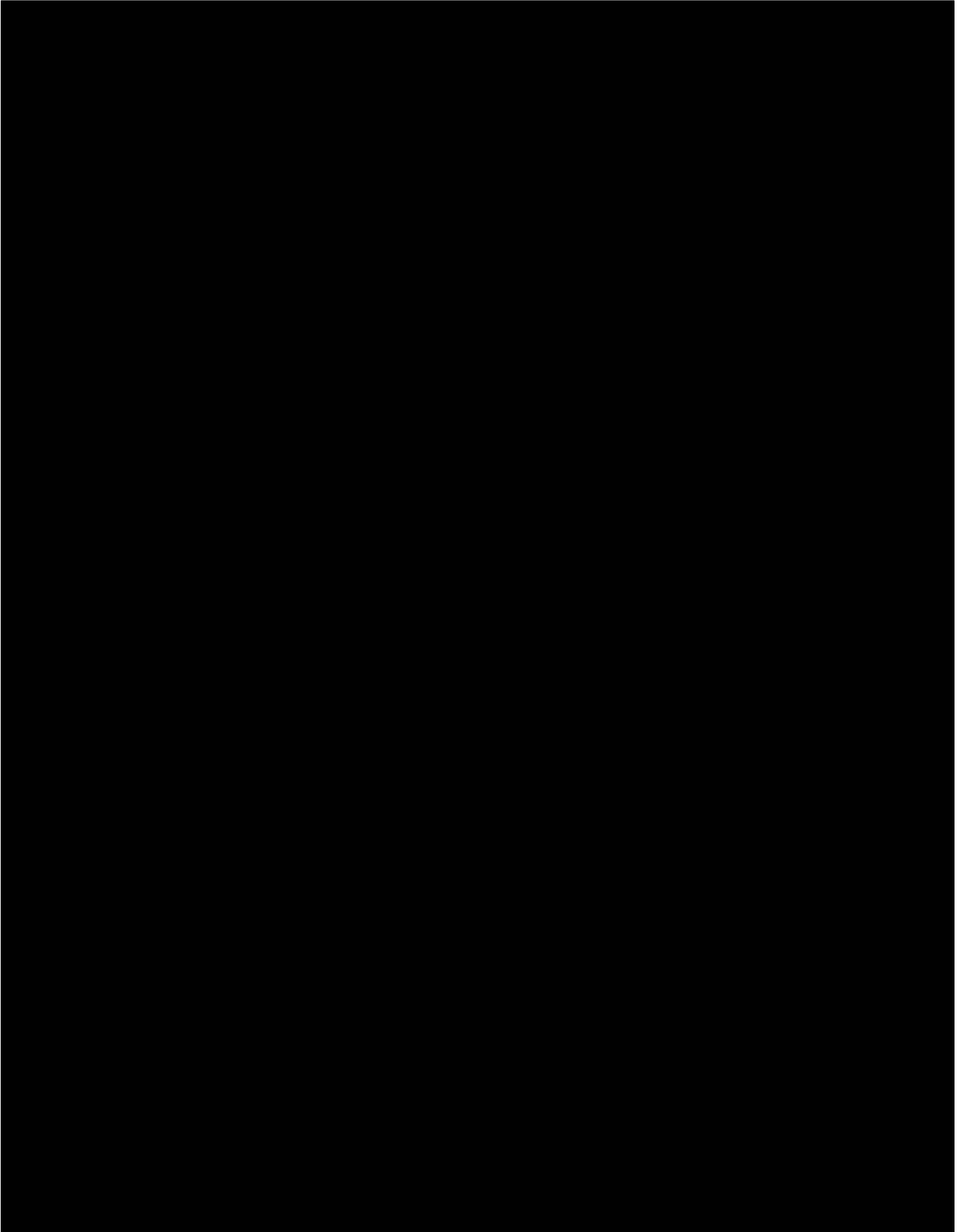




Item	Part No.	Name	Qty	Uom	NOTES
1	A20014779	DGSU MANIFOLD BRACKET	2	EA	NO LONGER AVAILABLE, Not available online / Call for pricing and availability
2	A3007832	BURNER BOX	1	EA	Not available online / Call for pricing and availability
3	A1005718	MODULE COVER	1	EA	NO LONGER AVAILABLE, Not available online / Call for pricing and availability
4	PD020004	10X3/8PH.HD.TYPE 25 REPL PD040125	12	EA	
5	A2005721	MOUNT BRACKET (DECU)	2	EA	
6	PE070069	STRAIGHT-THRU BUSHING	1	EA	
7	G4007440	SUPPLY CORD ASSY	1	EA	



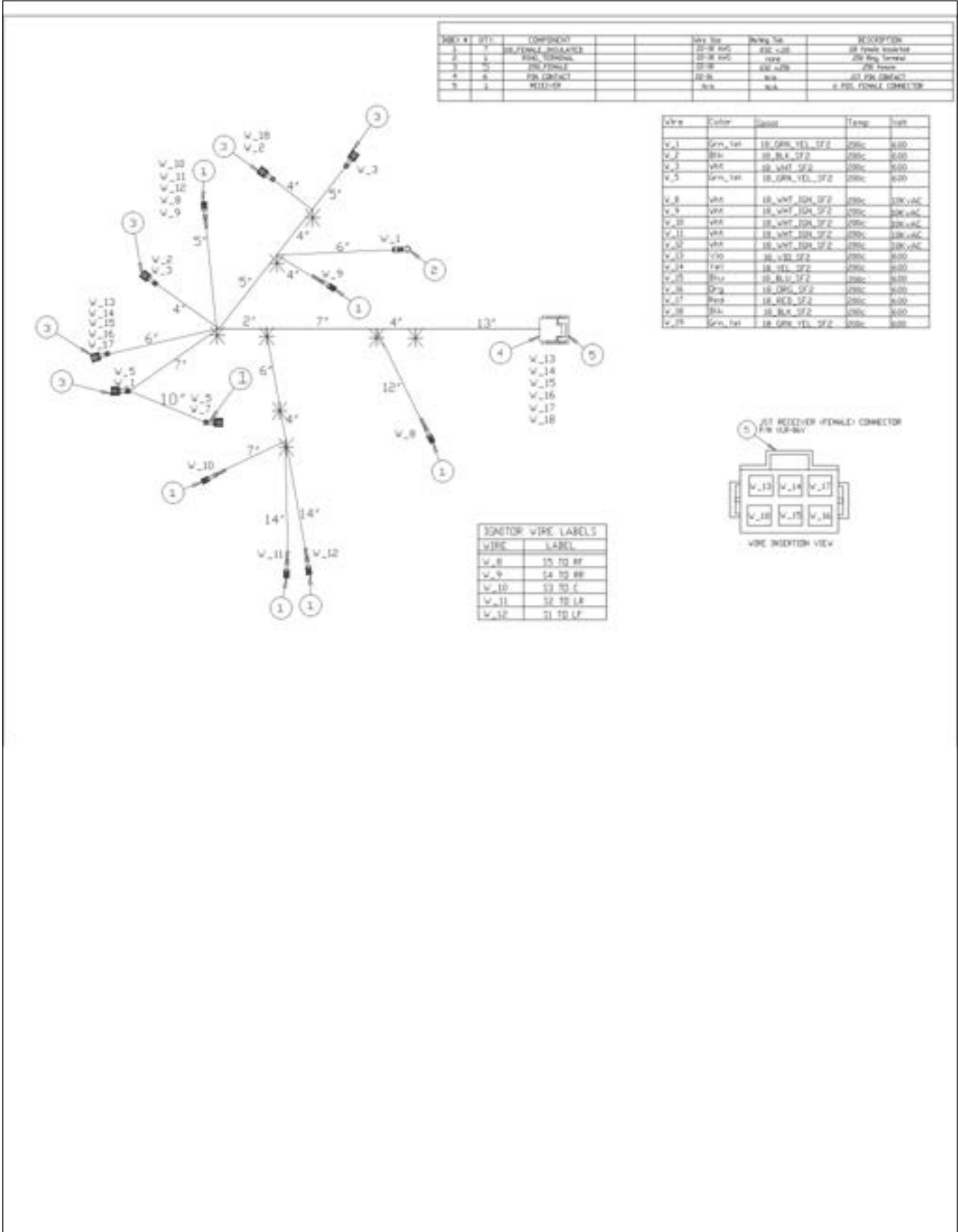
IGNITER SWITCH HARNESS





Item	Part No.	Name	Qty	Uom	NOTES
1	PE070819	IGNITOR SWITCH HARNESS 5B, 36"	1	EA	

WIRE HARNESS





Item	Part No.	Name	Qty	Uom	NOTES
1	PE070873	DGSU160 WIRE HARNESS	1	EA	



Appendix A:Pages Index

BURNER BOX INTERIOR ..... 1  
CONTROL AREA ..... 2  
IGNITER SWITCH HARNESS ..... 5  
SURFACE COOKING AREA ..... 3  
UNIT EXTERIOR ..... 4  
WIRE HARNESS ..... 6



Appendix B:Parts Index

003577-000	2	PB040202	1
007146-000	2	PB040203	1
014780-000	3	PB040204	1
066191-000	3	PB040231	2
066192-000	3	PB040236	1
A1005718	1, 4	PB050067	1
A20014779	4	PB050069	3
A2005721	4	PB050070	3
A2007834	1	PB070079	2
A3007832	4	PD020004	1, 4
E92014573WH	3	PD020159	1
G4007440	4	PD040005	1
PA020015	2	PE070069	4
PA020042	1	PE070819	5
PA050087	2	PE070873	6
PA060085	3		
PA060086	3		
PA060087	3		
PA060088	3		
PA060089	3		
PA060090	3		
PA070004	2		
PA070005	2		
PA080088	3		
PA080089	3		
PA080090	3		
PA080091	3		
PB010200	2		
PB010200PVD	2		
PB010214	2		
PB010214PVD	2		
PB020189	2		
PB020190	1		
PB020198	1		
PB040196	1		
PB040197	1		
PB040198	1		
PB040199	1		
PB040200	1		
PB040201	1		