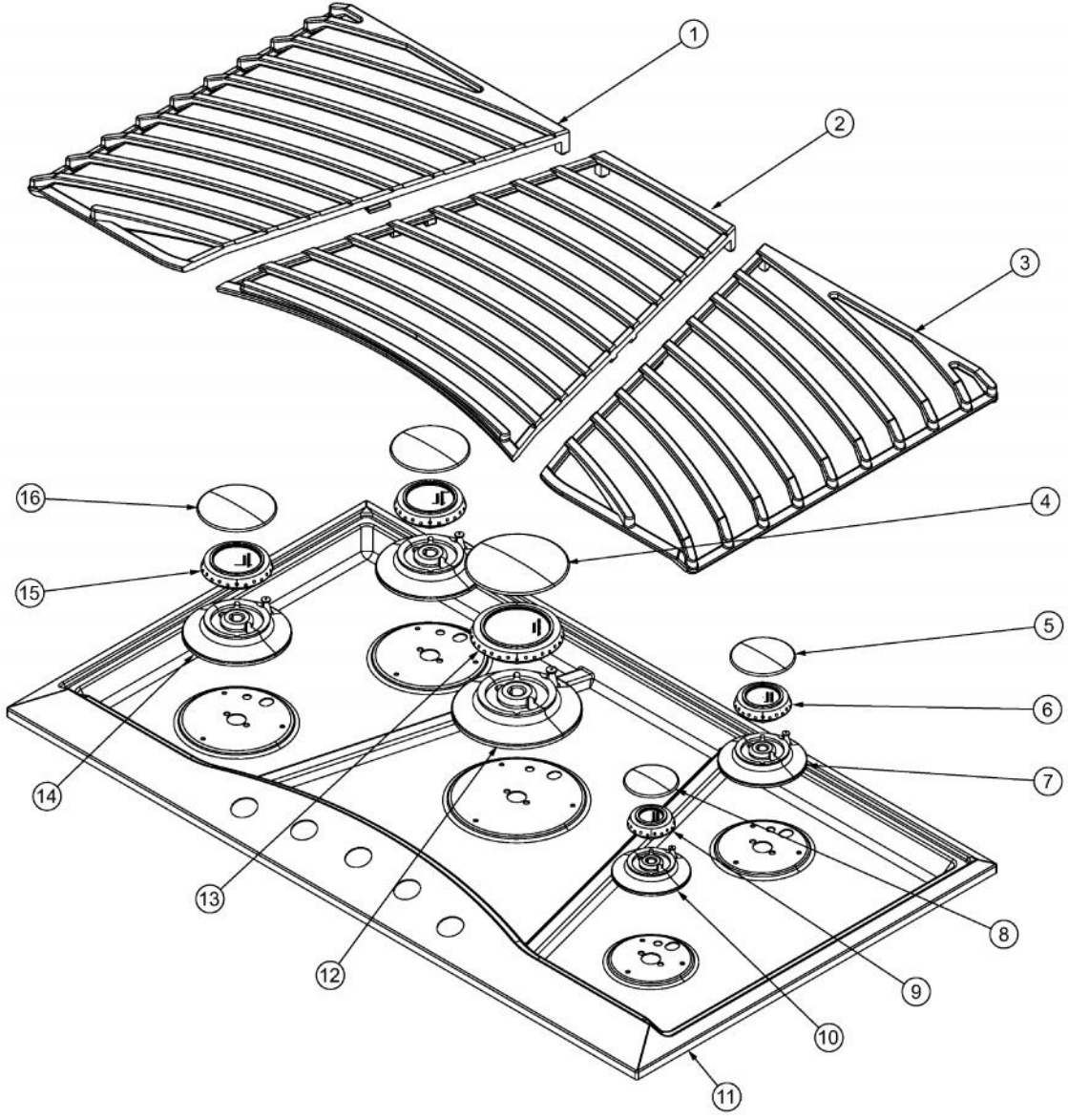
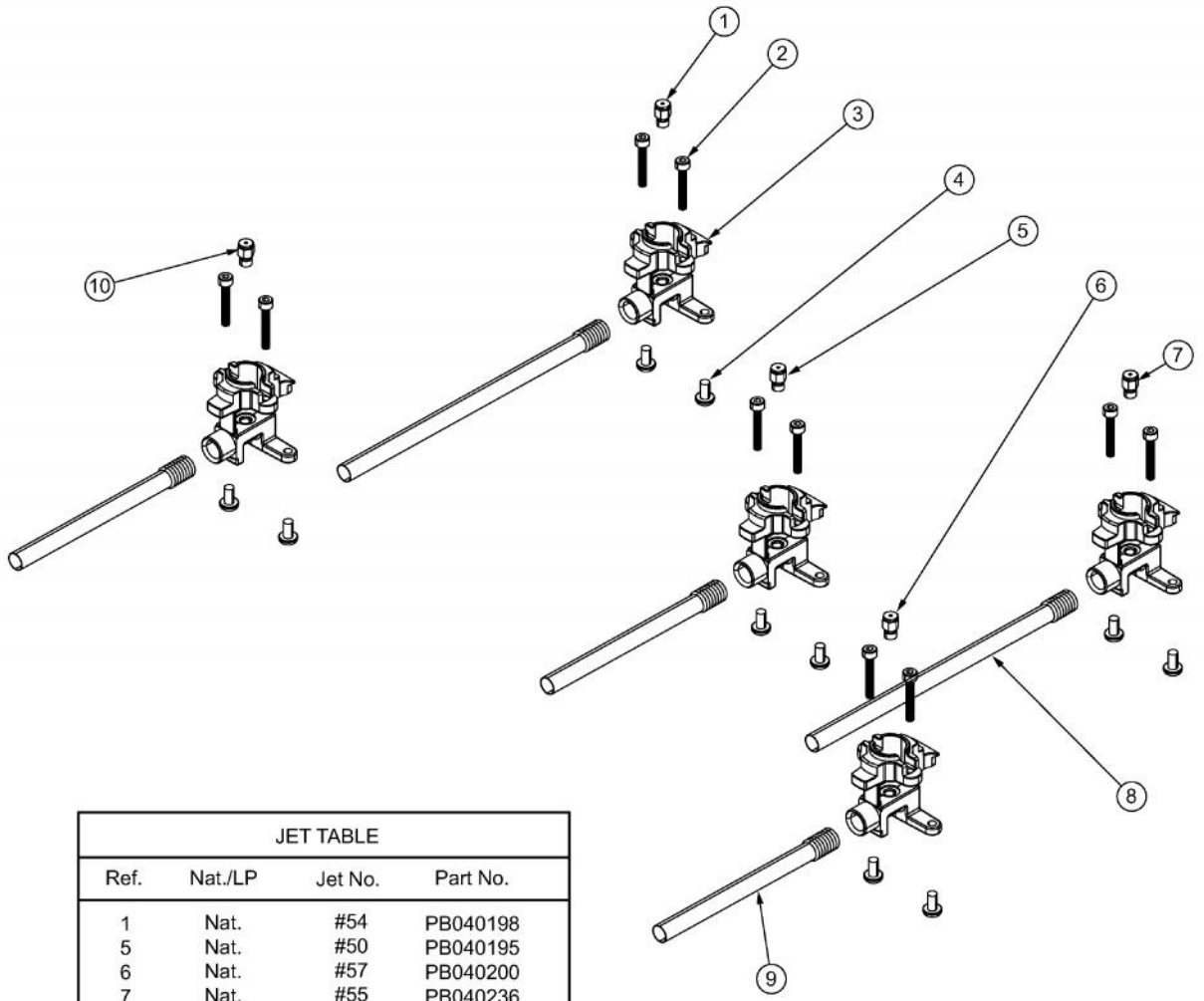


Ref #	Part Number	Qty.	Description
1	011731-000	5	KNOB, BK, DESIGNER COOKTOP
1	014558-000	5	KNOB, VLV, GRAY BAND, DES COOKTOP
2	PB070079	5	SILICONE EXTRUSION (DGSU)
3	015112-000	5	MODULE, SPK IRIS COOKTOP
4	PA010161	5	SUB TO 007146-000 - COOKTOP REVERSE FLOW VALVE
5	PA070004	1	PRESSURE REG.(NAT.) RV47L-77-5.0
5	PA070005	1	PRESSURE REG.(LP) RV47L-77-10.0
6	014611-000	1	MANIFOLD, ASM
7	PD020004	4	10X3/8PH.HD.TYPE 25 REPL PD040125
8	PD010012	5	VALVE BOLT 1/4-20 UNC-2B 5/16 M.S.

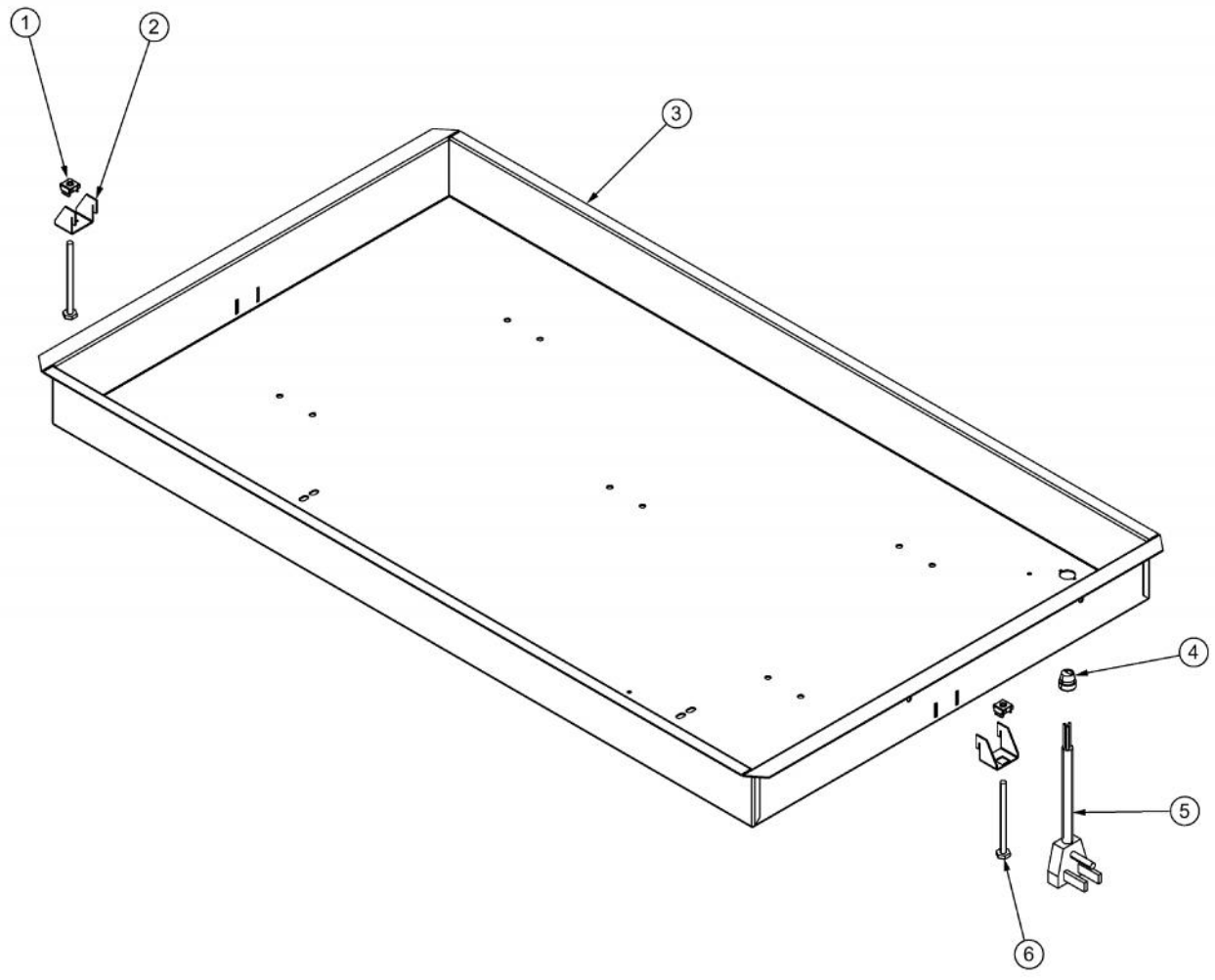


Ref #	Part Number	Qty.	Description
1	PA060085	1	LH DGSU160 GRATE (BLACK)
1	PA060088	1	LH DGSU160 GRATE (GRAY)
2	PA060087	1	CENTER DGSU160 GRATE (BLACK)
2	PA060090	1	CENTER DGSU160 GRATE (GRAY)
3	PA060086	1	RH DGSU160 GRATE (BLACK)
3	PA060089	1	RH DGSU160 GRATE (GRAY)
4	PA080083	1	D BURNER CAP XMATTE BLACKX
5	PA080105	1	DGRT-B BURNER CAP- BLACK
6	PA080100	1	DGRT-B COMPLETE BURNER HEAD ASSEMBLY
7	PB050071	1	B-BASE
8	PA080103	1	DGRT-A BURNER CAP- BLACK
9	PA080099	1	DGRT-ACOMPLETE BURNER HEAD ASSEMBLY
10	PB050072	1	A-BASE
11	017287-002	1	36 TOP ASM W/GRAPHICS, BLACK
11	017287-006	1	36 TOP ASM W/GRAPHICS, WHITE
11	017287-000	1	36 TOP ASM W/GRAPHICS, SS
12	PB050069	1	D-BASE
13	PA080102	1	DGRT-D COMPLETE BURNER HEAD ASSEMBLY
14	PB050070	2	C-BASE
15	PA080101	2	DGRT-C COMPLETE BURNER HEAD ASSEMBLY
16	PA080107	2	DGRT-C BURNER CAP- BLACK



JET TABLE			
Ref.	Nat./LP	Jet No.	Part No.
1	Nat.	#54	PB040198
5	Nat.	#50	PB040195
6	Nat.	#57	PB040200
7	Nat.	#55	PB040236
10	Nat.	#52	PB040255
1	LP	#63	PB040202
5	LP	#58	PB040274
6	LP	#69	PB040258
7	LP	#67	PB040204
10	LP	#60	PB040271

Ref #	Part Number	Qty.	Description
1	PB040198	1	NO. 54 ORIFICE FOR SEALED BURNER
1	PB040202	1	NO.63 ORIFICE FOR SEALED BURNER
2	PD020159	10	DGSU BURNER BASE SCREW
3	PB050067	5	JETHOLDER
4	PD020004	10	10X3/8PH.HD.TYPE 25 REPL PD040125
5	PB040195	1	NO. 50 ORIFICE FOR SEALED BURNER
5	PB040274	1	NO.58 LP
6	PB040200	1	NO.57 ORIFICE - LP
6	PB040258	1	LP ORIFICE NO.69
7	PB040236	1	NO.55 NAT
7	PB040204	1	NO.67 LP
8	PB020198	2	20 FLEX TUBING
9	PB020190	3	10 FLEX TUBE
10	PB040255	1	NO.52 NAT
10	PB040271	1	NO.60 LP



Ref #	Part Number	Qty.	Description
1	PD030029	2	SELF RETAINING NUT (1/4-20)
2	A2005721	2	MOUNT BRACKET (DECU)
3	015323-000	1	BOX, BURNER
4	PE070069	1	STRAIGHT-THRU BUSHING
5	G4007440	1	SUPPLY CORD ASSY
6	PD020123	2	BOLT 1/4-20 X 3 HEX HD