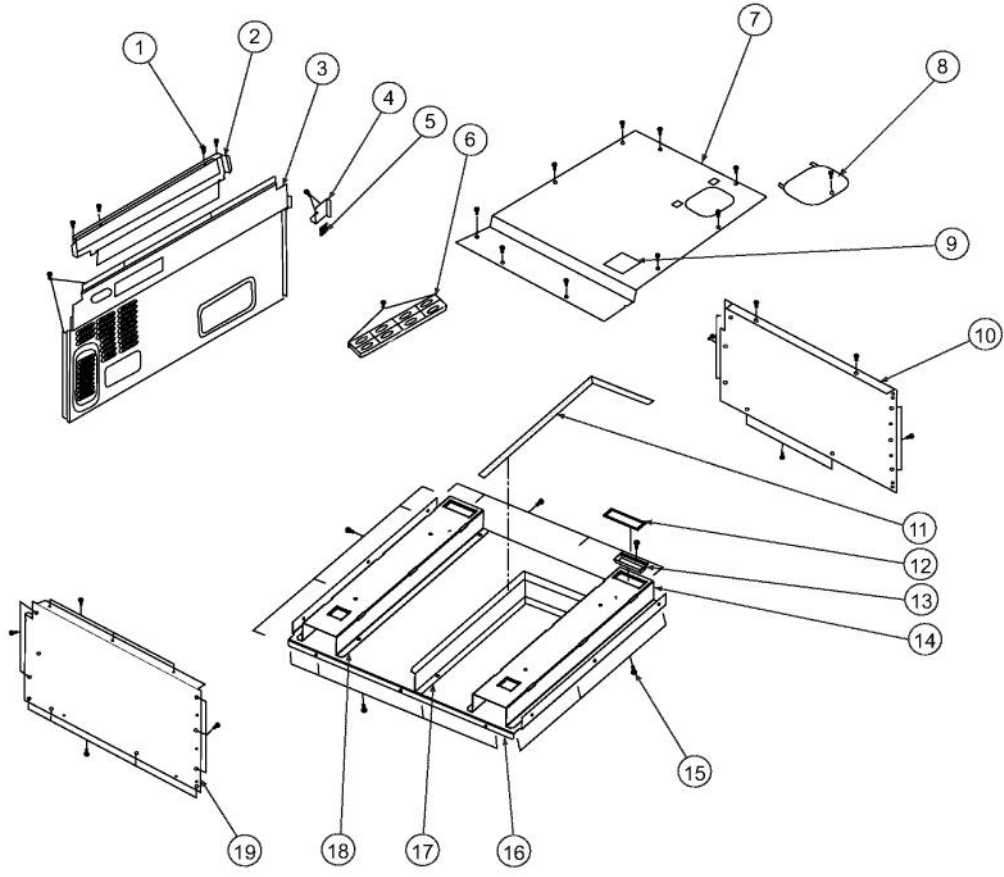
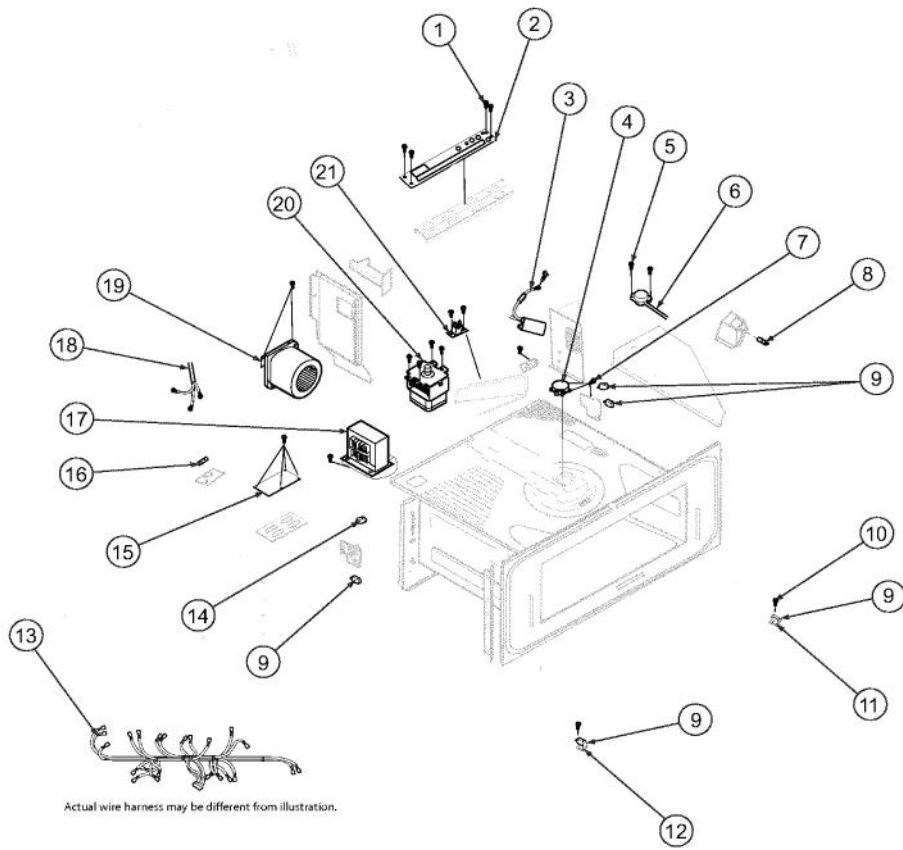


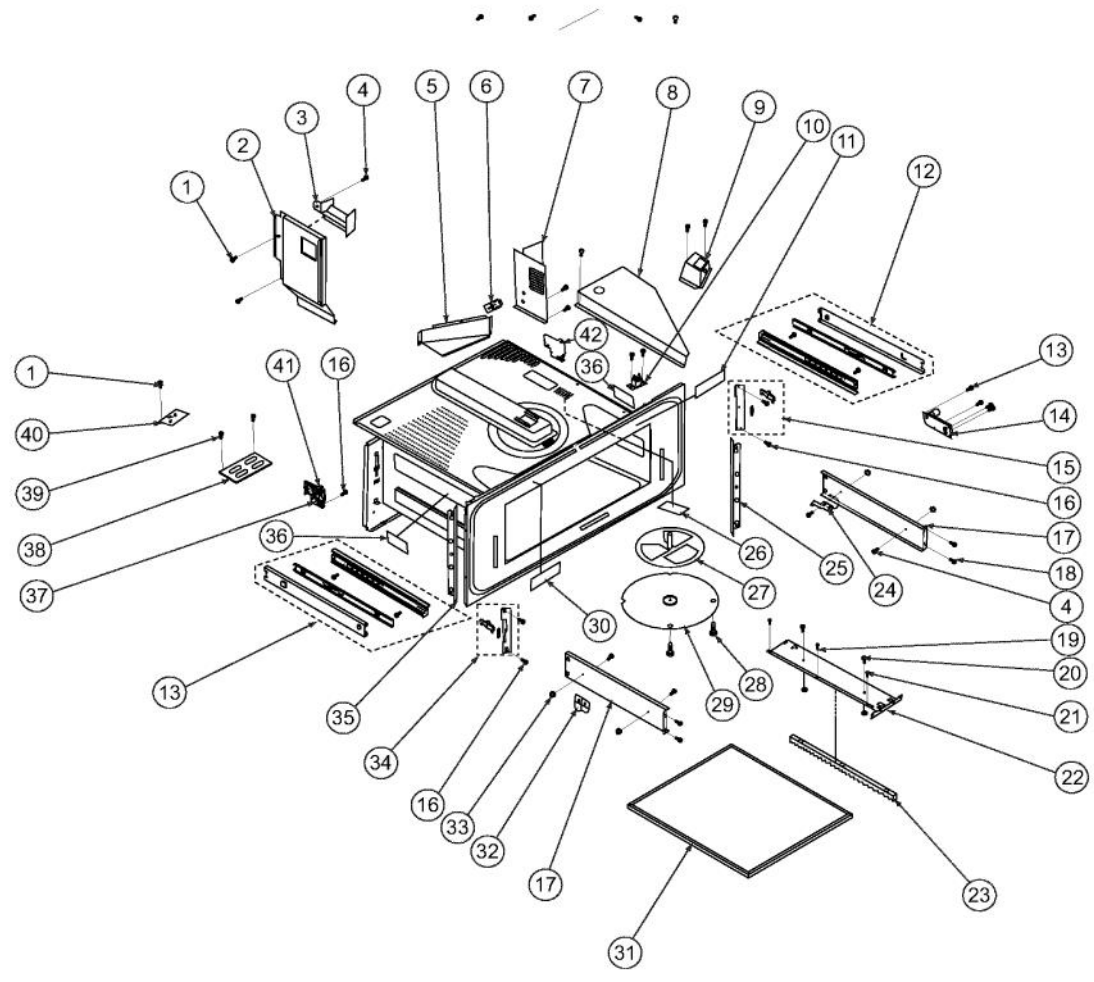
| Ref # | Part Number | Qty. | Description                  |
|-------|-------------|------|------------------------------|
| 1     | 011843-000  | 5    | SCREW : 4MM X 12MM           |
| 2     | 011844-000  | 1    | CONTROL PANEL COVER          |
| 3     | 011900-000  | 5    | SCREW : 4MM X 8MM            |
| 4     | 011846-000  | 1    | CONTROL UNIT                 |
| 5     | 011847-000  | 1    | CONTROL PANEL ANGLE          |
| 6     | 011852-000  | 2    | CUSHION                      |
| 7     | 011851-000  | 2    | CONTROL PANEL MOUNTING ANGLE |
| 8     | 011853-000  | 1    | C/P FRAME ASSY               |
| 9     | 011854-000  | 1    | SPRING                       |
| 10    | 011856-000  | 1    | KEY UNIT                     |
| 11    | 011858-000  | 1    | CONTROL PANEL DECO           |
| 12    | 011855-000  | 5    | DECO SCREW                   |



| Ref # | Part Number | Qty. | Description        |
|-------|-------------|------|--------------------|
| 1     | 011843-000  | 79   | SCREW : 4MM X 12MM |
| 2     | 011867-000  | 1    | EXHAUST DUCT A     |
| 3     | 011870-000  | 1    | BACK PLATE         |
| 4     | 011868-000  | 1    | AIR COVER          |
| 5     | 011869-000  | 1    | CUSHION            |
| 6     | 011871-000  | 1    | SWITCH PSU HOLDER  |
| 7     | 011873-000  | 1    | TOP COVER          |
| 8     | 011874-000  | 1    | COVER              |
| 9     | 011872-000  | 1    | SCHEMATIC          |
| 10    | 011875-000  | 1    | SIDE CABINET - RH  |
| 11    | 011876-000  | 1    | BOTTOM CUSHION A   |
| 12    | 011878-000  | 1    | BOTTOM CUSHION B   |
| 13    | 011879-000  | 1    | EXHAUST GUIDE      |
| 14    | 011880-000  | 1    | AIR GUIDE - RH     |
| 15    | 011843-000  | 14   | SCREW : 4MM X 12MM |
| 16    | 011881-000  | 1    | BOTTOM COVER       |
| 17    | 011883-000  | 1    | PARTITION ANGLE    |
| 18    | 011882-000  | 1    | AIR GUIDE - LH     |
| 19    | 011884-000  | 1    | SIDE CABINET - LH  |

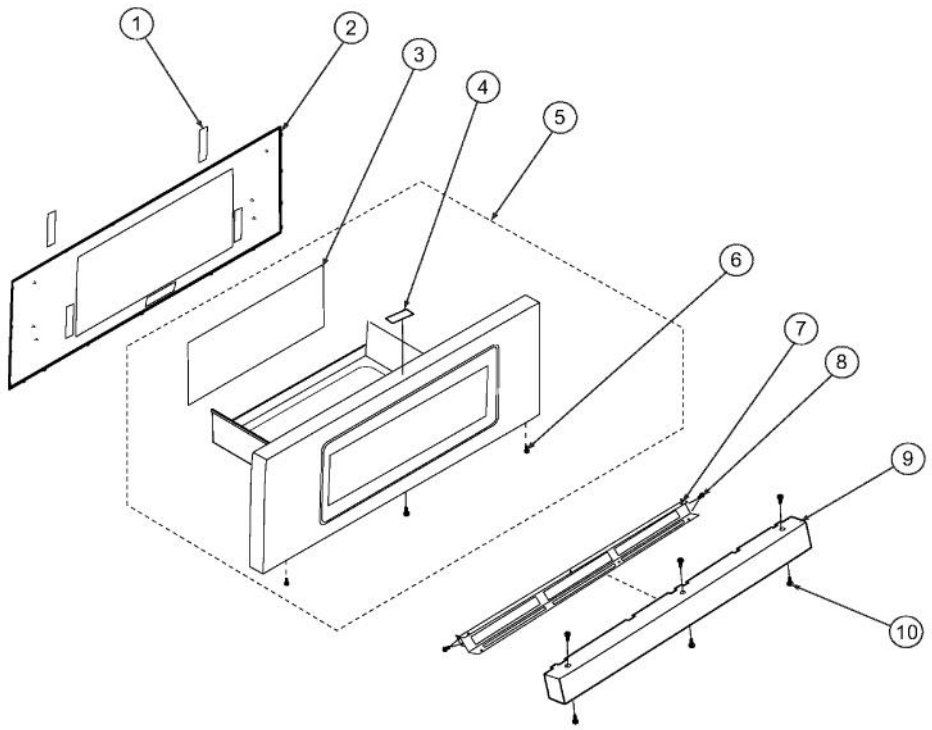


| Ref # | Part Number | Qty. | Description   |
|-------|-------------|------|---|
| 1     | 011900-000  | 4    | SCREW : 4MM X 8MM                                     |
| 2     | 011901-000  | 1    | POWER SUPPLY  |
| 3     | 011902-000  | 1    | HVC ASSY  |
| 4     | 011903-000  | 1    | STIRRER MOTOR   |
| 5     | 011898-000  | 4    | SCREW   |
| 6     | 011905-000  | 1    | SENSOR ASSY   |
| 7     | 011904-000  | 6    | SCREW / WASHER  |
| 8     | 011907-000  | 1    | OVEN LAMP/SOCKET                                      |
| 9     | 011893-000  | 5    | SWITCH  |
| 10    | 011843-000  | 79   | SCREW : 4MM X 12MM                                    |
| 11    | 011908-000  | 1    | SWITCH ANGLE R  |
| 12    | 011909-000  | 2    | SWITCH ANGLE L  |
| 13    | 011910-000  | 1    | HARNESS ASSY  |
| 14    | 011894-000  | 1    | LATCH HOOK L  |
| 15    | 011892-000  | 2    | POWER SUPPLY  |
| 16    | N/A         | 1    | HEAT SHIELD - MUST ORDER ITEM NO. 11                  |
| 17    | 011896-000  | 1    | TRANSFORMER   |
| 18    | 011888-000  | 1    | POWER SUPPLY CORD                                     |
| 19    | 011889-000  | 1    | FAN MOTOR   |
| 20    | 011897-000  | 1    | MAGNETRON   |
| 21    | 011899-000  | 2    | THERMAL CUT - OUT                                     |
| NI    | 011890-000  | 1    | MONITOR SWITCH (V-16G-2C25) WITH FUSE (20A) ASSEMB... |



| Ref # | Part Number | Qty. | Description                 |
|-------|-------------|------|-----------------------------|
| 1     | 011843-000  | 79   | SCREW : 4MM X 12MM          |
| 2     | 011968-000  | 1    | FAN MOTOR ANGLE             |
| 3     | 011969-000  | 1    | MAGNETRON AIR GUIDE         |
| 4     | 011866-000  | 4    | SCREW : 4MM X 8MM           |
| 5     | 011970-000  | 1    | MAGNETRON DUCT              |
| 6     | 011971-000  | 1    | HVC BAND                    |
| 7     | 011972-000  | 1    | EXHAUST DUCT B              |
| 8     | 011974-000  | 1    | SENSOR DUCT                 |
| 9     | 011973-000  | 1    | OVEN LAMP ANGLE             |
| 10    | 011899-000  | 2    | THERMAL CUT - OUT           |
| 11    | 011993-000  | 1    | USER CAUTION LABEL (FRENCH) |
| 12    | 011996-000  | 3    | SLIDE RAIL                  |
| 13    | 011898-000  | 4    | SCREW                       |
| 14    | 011997-000  | 1    | AUTO DRAWER GEAR ASSY       |
| 15    | 011995-000  | 1    | LATCH ANGLE ASSY R          |
| 16    | 011904-000  | 6    | SCREW / WASHER              |
| 17    | 011998-000  | 2    | DOOR SUPPORT ANGLE A        |
| 18    | 011877-000  | 4    | SCREW                       |
| 19    | 012006-000  | 1    | SPECIAL SCREW               |
| 20    | 011898-000  | 2    | SCREW                       |
| 21    | 011845-000  | 2    | SCREW : 4MM X 8MM           |
| 22    | 012007-000  | 1    | DOOR SUPPORT ANGLE B        |
| 23    | 012008-000  | 2    | RACK GEAR                   |
| 24    | 012000-000  | 1    | ACTUATOR R                  |
| 25    | 012001-000  | 1    | SIDE ANGLE R                |
| 26    | 012002-000  | 1    | LAMP FILTER                 |
| 27    | 012003-000  | 1    | STIRRER FAN ASSY            |
| 28    | 012005-000  | 3    | CANOE CLIP                  |
| 29    | 012004-000  | 1    | STIR COVER ASSY             |
| 30    | 012012-000  | 1    | BIK LABEL                   |
| 31    | 012010-000  | 1    | OVEN TRAY ASSY              |
| 32    | 012011-000  | 1    | ACTUATOR L                  |
| 33    | 011999-000  | 6    | CAP NUT                     |
| 34    | 012013-000  | 1    | LATCH, L                    |
| 35    | 012014-000  | 1    | SIDE ANGLE L                |
| 36    | 011992-000  | 2    | MONITOR CAUTION LABEL       |
| 37    | 012016-000  | 1    | SWITCH LEVER L              |
| 38    | 012017-000  | 1    | POWER SUPPLY UNIT HOLDER    |
| 39    | 012018-000  | 2    | POWER UNIT ASSY SCREW       |
| 40    | 012019-000  | 1    | NOISE FILTER UNIT           |
| 41    | 012015-000  | 1    | LATCH HOOK                  |
| 42    | 011975-000  | 1    | LATCH HOOK R                |





| Ref # | Part Number | Qty. | Description                  |
|-------|-------------|------|------------------------------|
| 1     | 012020-000  | 2    | DOOR SUPPORT COVER           |
| 2     | 012021-000  | 1    | CHOKE COVER                  |
| 3     | 012022-000  | 1    | SEALER FILM                  |
| 4     | 012023-000  | 1    | MENU LABEL                   |
| 5     | 012025-000  | 1    | DOOR ASSY<br>(DESIGNER DOOR) |
| 6     | 011855-000  | 3    | DECO SCREW                   |
| 7     | 012027-000  | 1    | LOUVER ANGLE                 |
| 8     | 011843-000  | 4    | SCREW : 4MM X 12MM           |
| 9     | 013817-000  | 1    | LOUVER                       |
| 10    | 011855-000  | 6    | DECO SCREW                   |
| 11    | 012026-000  | 1    | BADGE                        |