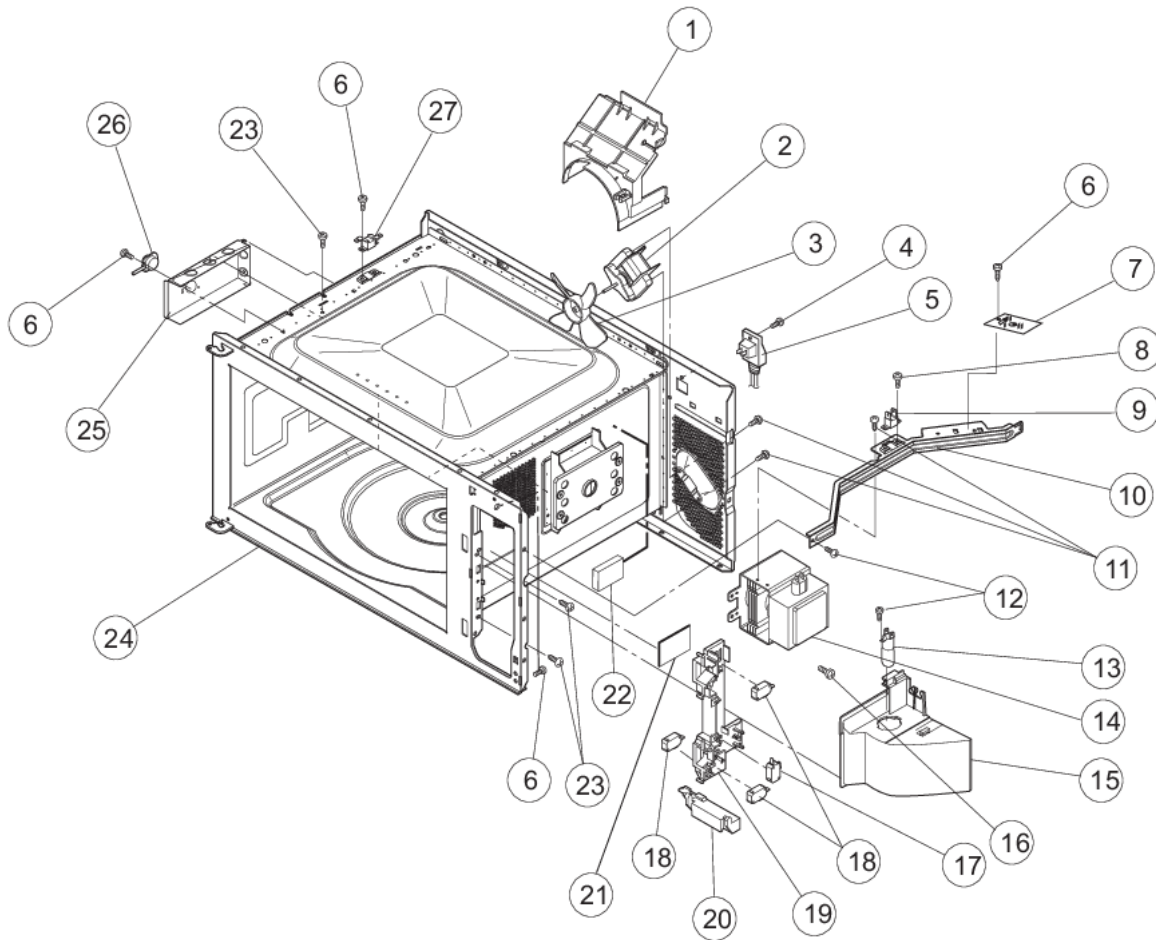


# **DMOS201SS**

CABINET .....	1
CONTROL PANEL .....	2
DOOR .....	3
TOP-BOTTOM .....	4
Appendix A:Pages Index .....	A
Appendix B:Parts Index .....	B

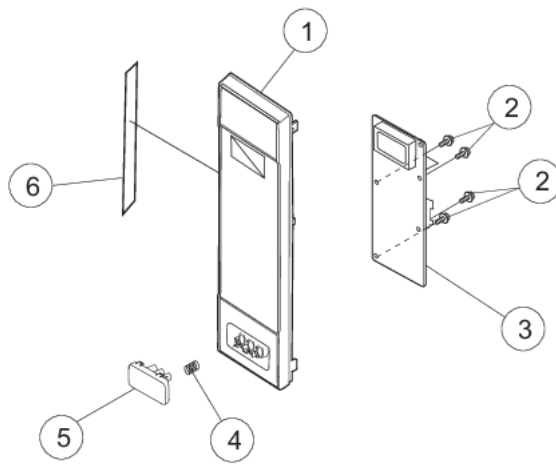
CABINET





Item	Part No.	Name	Qty	Uom	NOTES
1	019079-000	FAN DUCT	1	EA	
2	065214-000	Fan motor	1	EA	
3	028717-000	FAN BLADE	1	EA	
4	019110-000	SCREW 4MM X 12MM	1	EA	
5	019078-000	POWER SUPPLY CORD	1	EA	
5	PM120146	SCREW : 4MM X 12MM	3	EA	
7	065213-000	Noise filter	1	EA	
8	019111-000	SCREW	2	EA	
9	019070-000	MONITOR SWITCH AND C/T FUSE	1	EA	
10	019069-000	CHASSIS SUPPORT	1	EA	
11	PM120033	SCREW ; CONTROL PANEL MTG.	3	EA	
12	019111-000	SCREW	1	EA	
13	PM100065	LIGHT BULB	1	EA	
14	019080-000	MAGNETRON	1	EA	
15	019077-000	MAGNETRON DUCT	1	EA	
16	PM120002	SPECIAL SCREW	4	EA	
17	019070-000	MONITOR SWITCH AND C/T FUSE	1	EA	
18	062583-000	SECONDARY/THIRD/STOP SWITCH	3	EA	
19	057735-000	LATCH HOOK	1	EA	
20	PM120006	SWITCH LEVER	1	EA	
21	PM120034	MONITOR CAUTION LABEL	1	EA	
22	019087-000	CUSHION	1	EA	
23	PM120003	SCREW	3	EA	
24	NON REPLACEABLE	OVEN CAVITY	1	EA	
25	019081-000	SENSOR DUCT	1	EA	
26	019066-000	AH SENSOR	1	EA	
27	PM100017	CAVITY TEMPERATURE FUSE 150+C	1	EA	
NS	019103-000	MAIN WIRE HARNESS	1	EA	

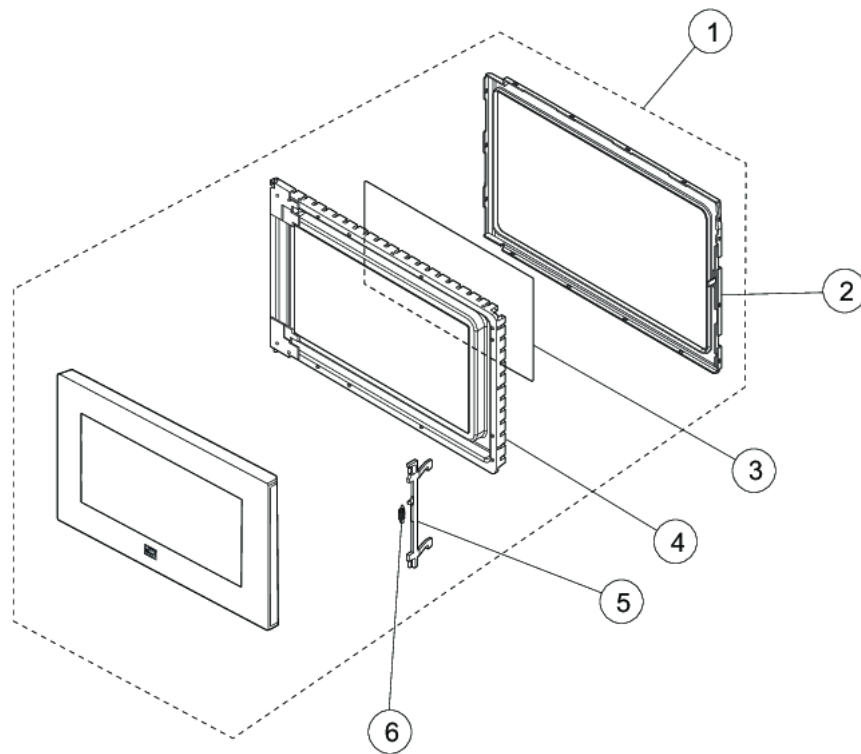
CONTROL PANEL





Item	Part No.	Name	Qty	Uom	NOTES
1	019090-000	CONTROL PANEL FRAME W/KEY UNIT	1	EA	
2	022262-000	SCREW; 3MM X 10MM	4	EA	
3	019089-000	CONTROL UNIT	1	EA	
4	PM120044	OPEN BUTTON SPRING	1	EA	
5	019091-000	OPEN BUTTON	1	EA	
6	PM120021	USER CAUTION LABEL	1	EA	NO LONGER AVAILABLE

DOOR

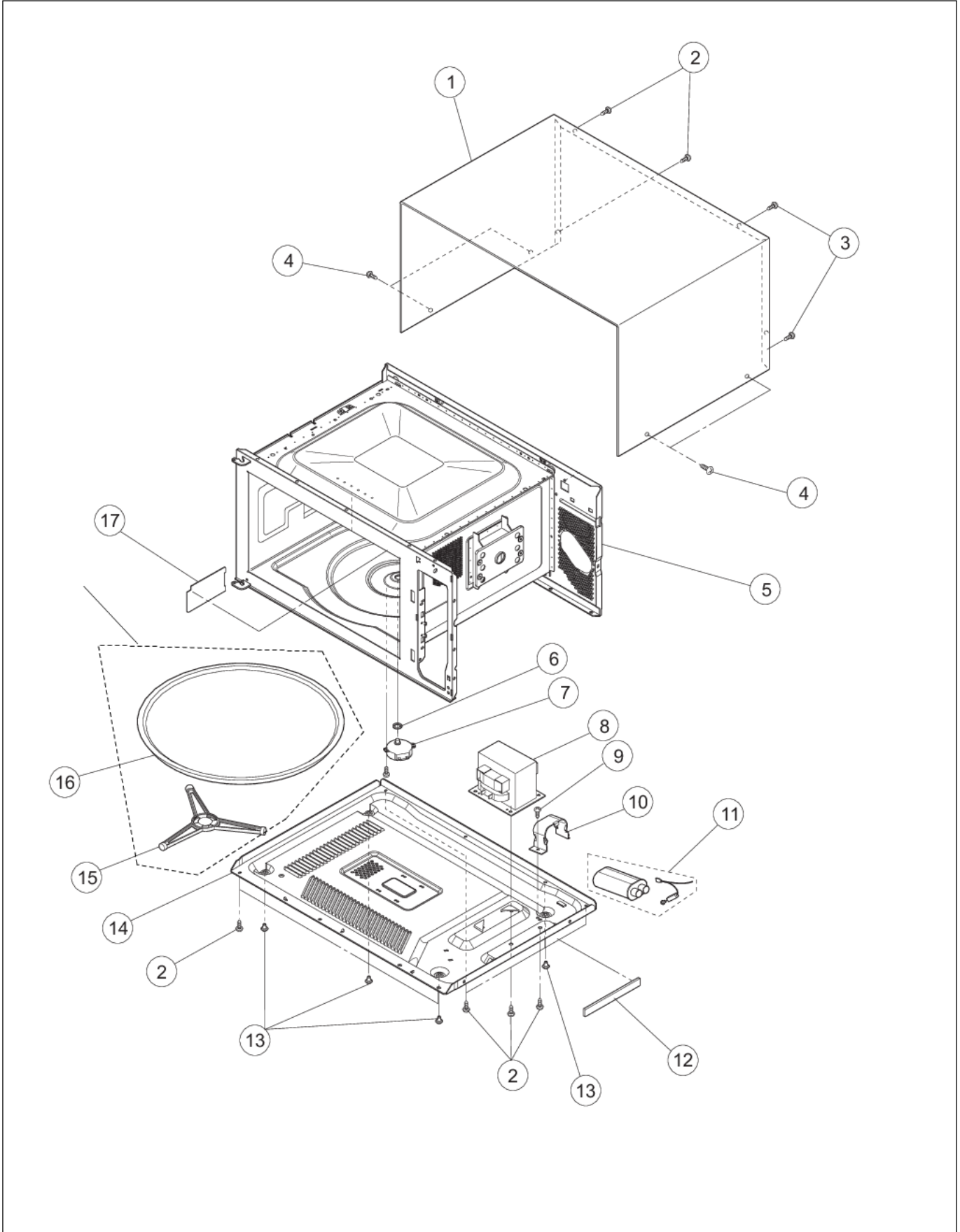




Item	Part No.	Name	Qty	Uom	NOTES
1	065592-000	Door assembly	1	EA	
2	019102-000	CHOKE COVER	1	EA	Not available online / Call for pricing and availability
3	PM120016	SEALER FILM	1	EA	
4	PM110005	INNER DOOR PANEL	1	EA	
5	PM120001	LATCH HEAD	1	EA	
6	PM120007	LATCH SPRING	1	EA	



TOP-BOTTOM





Item	Part No.	Name	Qty	Uom	NOTES
1	019088-000	OUTER CASE CABINET	1	EA	
2	PM120146	SCREW : 4MM X 12MM	24	EA	
3	PM120005	SCREW	2	EA	
4	022262-000	SCREW; 3MM X 10MM	4	EA	
5	NON REPLACEABLE	OVEN CAVITY	1	EA	
6	PM120015	TURNTABLE MOTOR PACKING	1	EA	
7	PM100069	TURNTABLE MOTOR	1	EA	
8	019082-000	POWER TRANSFORMER	1	EA	
9	PM120002	SPECIAL SCREW	5	EA	
10	PM100013	H.V. CAPACITOR BAND	1	EA	
11	019065-000	H.V. CAPACITOR BAND ASSEMBLY	1	EA	
<p>Comments for Part Num. 019065-000</p> <p>bradleysapplianceservice@shaw.ca on Jun 7, 2016</p> <p>06/07/2016: JUST RECEIVED THIS PART AND IT DIDN'T COME WITH THE DIODE AS SHOWN IN THE BREAKDOWN. ONLY CAME AS A CAPACTOR WITH NOTHING ELSE</p> <p>IF DIODE IS ALSO REQUIRED, ORDER: 028722-000 HIGH VOLTAGE RECIFIER / DIODE</p>					
12	019086-000	MAG CUSHION	1	EA	
13	PM110010	FOOT	4	EA	
14	PM110009	BASE PLATE	1	EA	
15	N/A	TURNTABLE SUPPORT	1	EA	
Not Shown	NOTE	(ORDER ITEM 18)		EA	
16	N/A	Turntable tray	1	EA	
Not Shown	NOTE	(ORDER ITEM 18)		EA	
17	028768-000	WAVEGUIDE COVER	1	EA	
18	077696-000	TURNTABLE TRAY AND SUPPORT KIT	1	EA	



Appendix A:Pages Index

CABINET .....	1
CONTROL PANEL .....	2
DOOR .....	3
TOP-BOTTOM .....	4



Appendix B:Parts Index

019065-000	4	PM120006	1
019066-000	1	PM120007	3
019069-000	1	PM120015	4
019070-000	1, 1	PM120016	3
019077-000	1	PM120021	2
019078-000	1	PM120033	1
019079-000	1	PM120034	1
019080-000	1	PM120044	2
019081-000	1	PM120146	1, 4
019082-000	4		
019086-000	4		
019087-000	1		
019088-000	4		
019089-000	2		
019090-000	2		
019091-000	2		
019102-000	3		
019103-000	1		
019110-000	1		
019111-000	1, 1		
022262-000	2, 4		
028717-000	1		
028768-000	4		
057735-000	1		
062583-000	1		
065213-000	1		
065214-000	1		
065592-000	3		
077696-000	4		
PM100013	4		
PM100017	1		
PM100065	1		
PM100069	4		
PM110005	3		
PM110009	4		
PM110010	4		
PM120001	3		
PM120002	1, 4		
PM120003	1		
PM120005	4		