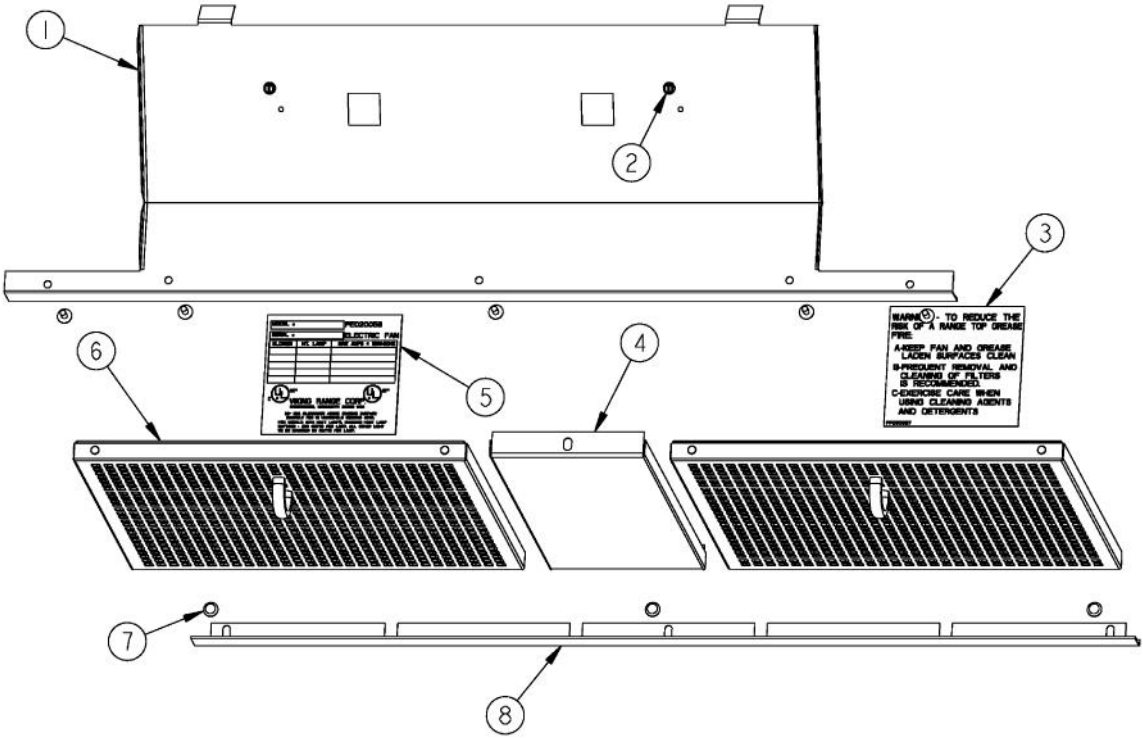
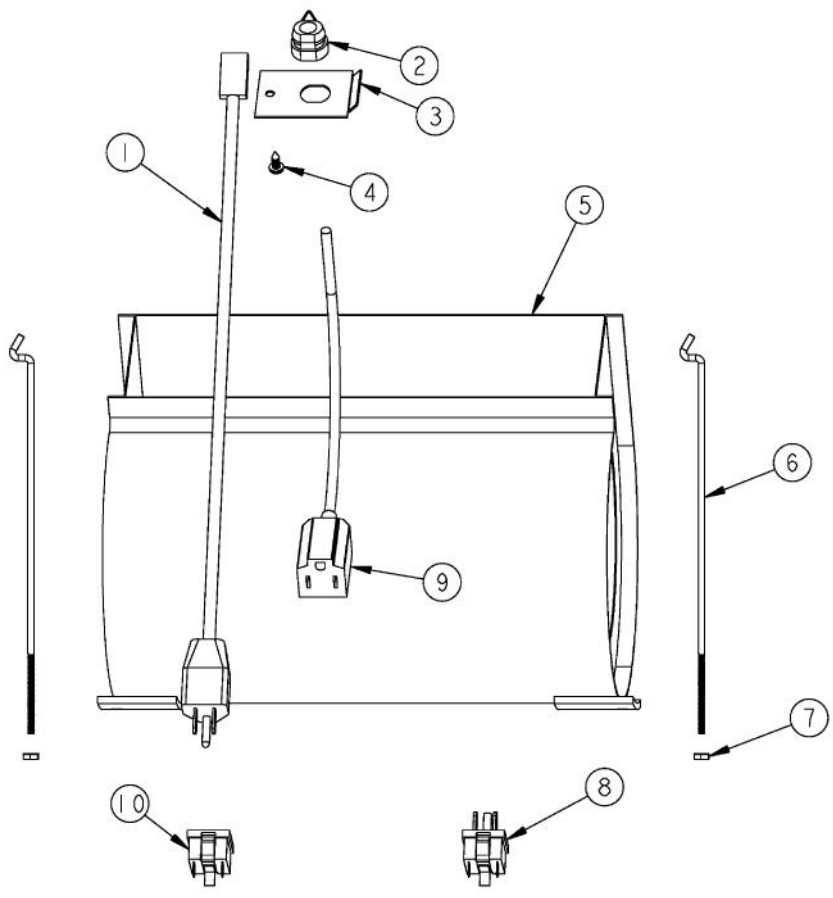


| Ref # | Part Number | Qty. | Description |
|-------|-------------|------|---|
| 1 | PE050170 | | LIGHT CONTROL (VIH54/66 DCH30/36 VCIH54/66) |
| 2 | PC040010 | | POP RIVET |
| 3 | PE050168 | | DCH FAN/LIGHT SWITCH (DCH30/36) |
| 4 | PE050169 | | BLOWER CONTROL (DCH30/36) |
| 5 | A20010270 | | LT/FAN SWITCH BRKT (DCH30/36) |
| 6 | PJ030014 | | HEAT SENSOR (N.O.) 160 DEG. |
| 7 | A2103810 | | THERMODISC BRACKET |
| 8 | PE050064 | | LIGHT ASSEMBLY |
| 9 | B2008158 | | HOOD I/S SIDE RH DBCV3082 |
| 10 | B20016150 | | CONTROL PANEL |
| 11 | PA010089 | | KNOB (DESIGNER SERIES HOOD) |
| 12 | PA010093 | | DESIGNER OVEN LT SWITCH KNOB |
| 13 | PE040232 | | CONTROL PANEL W/ GRAPHICS (DCH30/36) |
| 14 | B2008159 | | HOOD I/S SIDE LH DBCV3082 |
| 15 | PD040005 | | SNAP BUSHING - 7/8 |
| 16 | PD020032 | | SRW-8(A)X3/8PH.WFR HD 7/16DIAXNICL |



| Ref # | Part Number | Qty. | Description |
|-------|-------------|------|--------------------------------------|
| 1 | B20016157 | | CONTROL PANEL |
| 2 | PD020010 | | 10 X 3/8 GREEN GROUNDING SCREW |
| 3 | PF030337 | | HOOD WARNING LABEL |
| 4 | B2008197 | | FILTER SPACER DBCV3082 4.625 X 10.75 |
| 5 | PE020058 | | RATING LABEL (ADHESIVE) |
| 6 | G31010266 | | 30/42 FILTER ASSEMBLY 11.75 X 10.375 |
| 7 | PD020032 | | SRW-8(A)X3/8PH.WFR HD 7/16DIAXNCL |
| 8 | B2008165 | | 30 FILTER SUPPORT DBCV3082 |



| Ref # | Part Number | Qty. | Description |
|-------|-------------|------|----------------------------------|
| 1 | PE070542 | | 3-PRONG MALE CORD W/AMP CON |
| 2 | PE070204 | | HEYCO STRAIN RELIEF - 7-P2 |
| 3 | A2003826 | | ROUGH IN BOX COVER (VWH30/3610) |
| 4 | PD020087 | | 10 X 1/2 PAN PH. TEK ZINC |
| 5 | PE050042 | | BLOWER INT 460 CFM 97007542 |
| 6 | PD010035 | | BLOWER MTG ROD NO.10-24 99420464 |
| 7 | PD030010 | | NO.10-24 KEPS NUT |
| 8 | PE070197 | | MALE SOCKET (3 PRONG) |
| 9 | PE070205 | | 3 PRONG FEMALE SUPPLY CORD |
| 10 | PE070541 | | 3-PRONG FEMALE SOCKET |