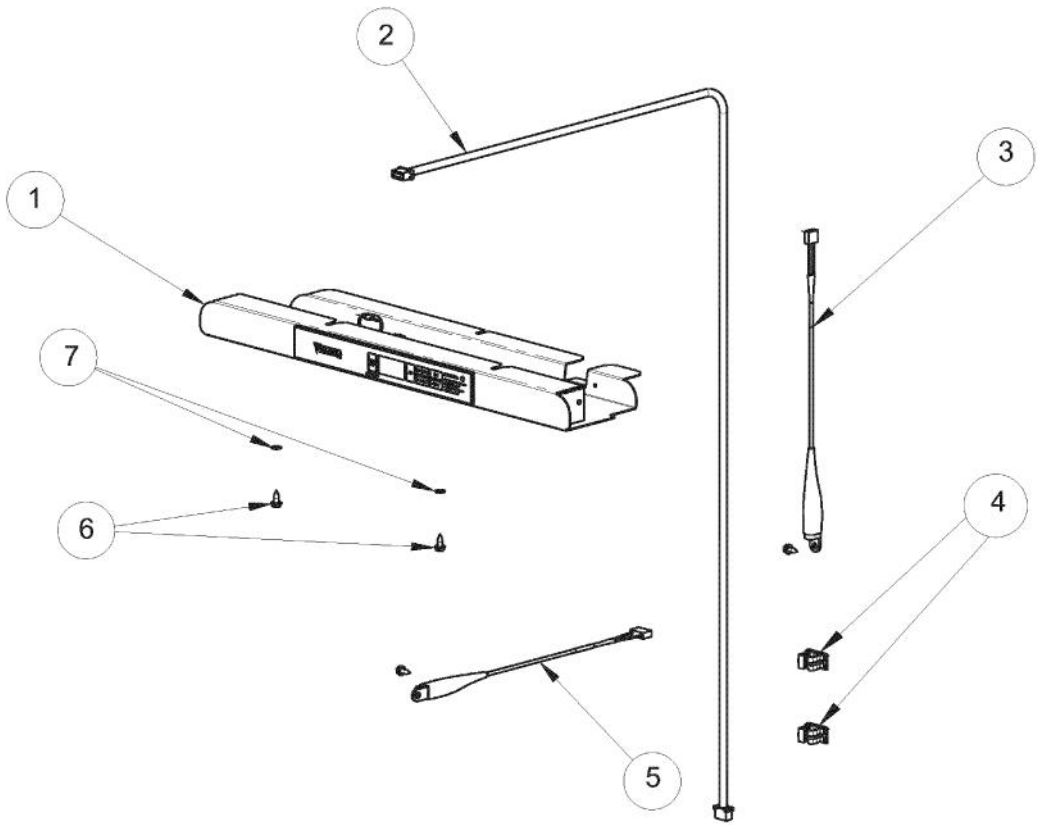
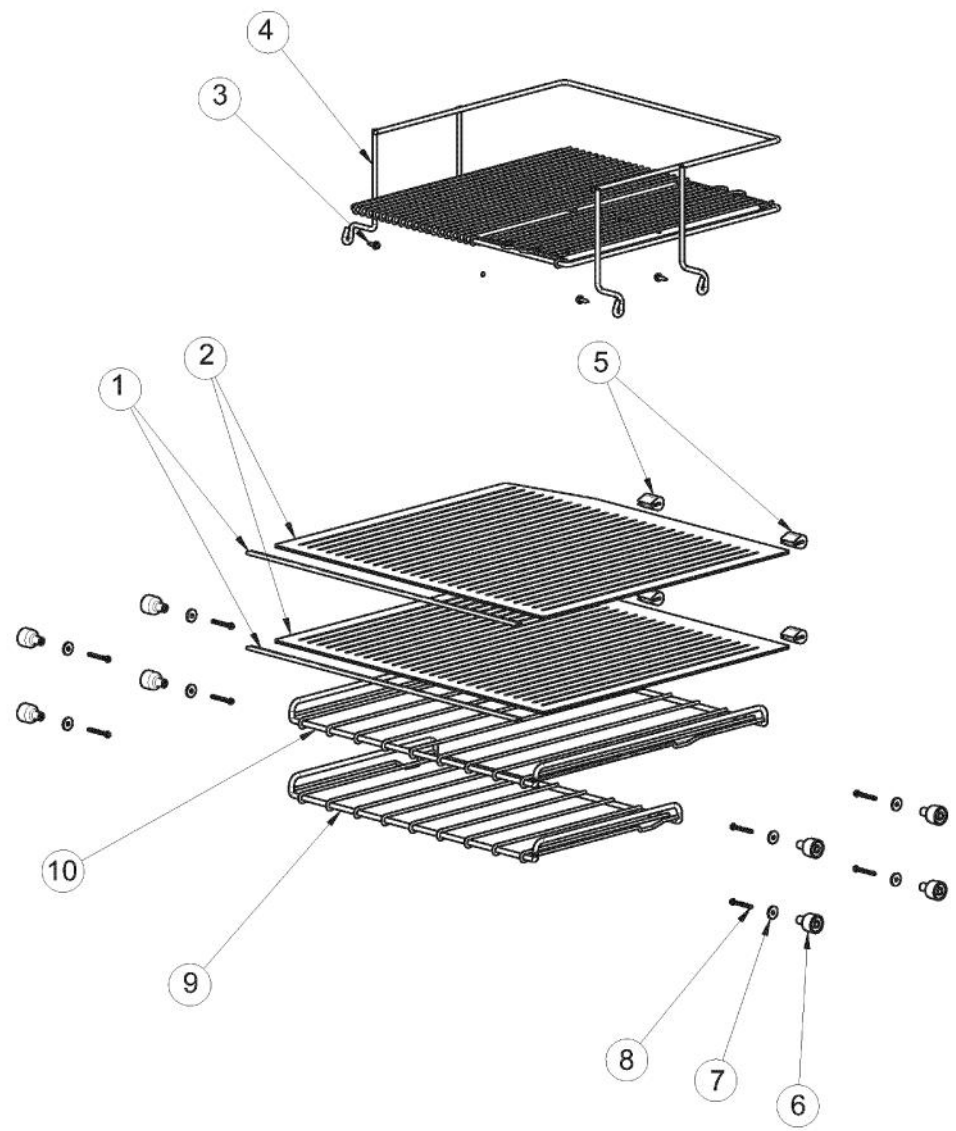


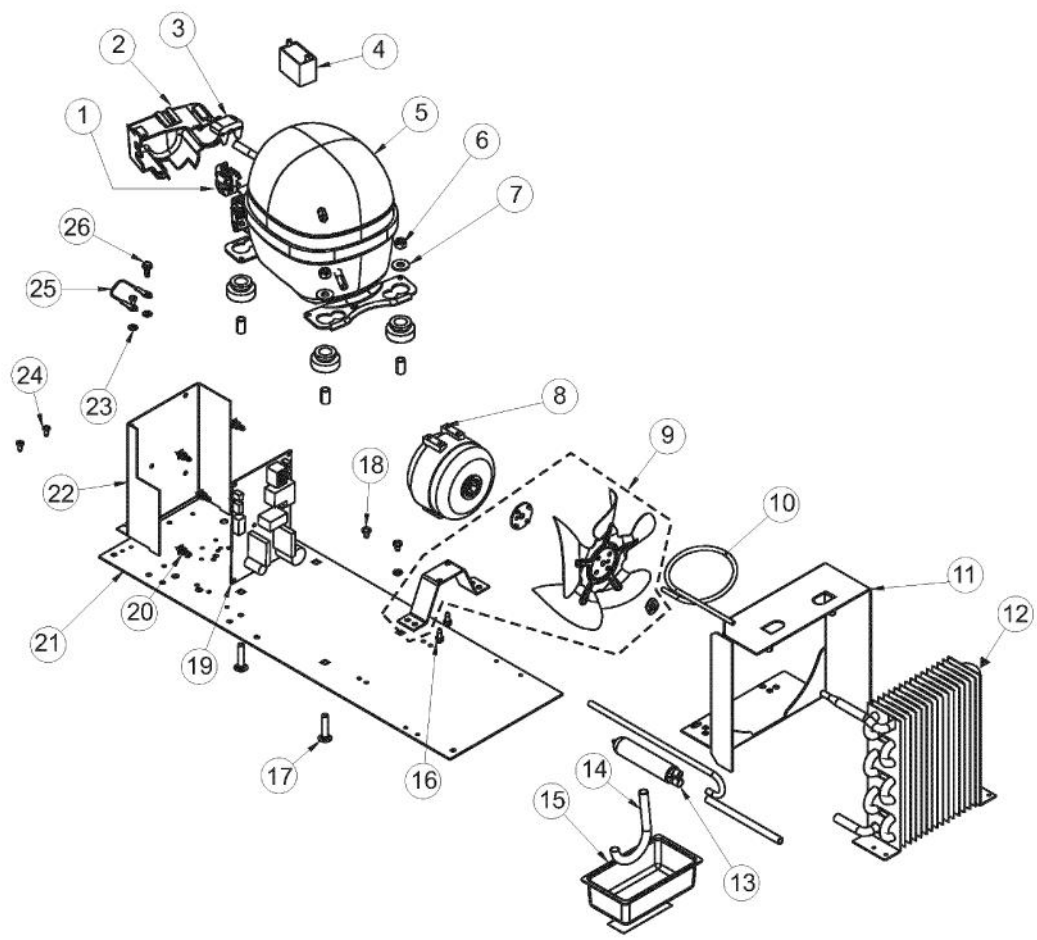
Ref #	Part Number	Qty.	Description
1	010236-000	6	10-32 X 3/4? PHILLIPS COUNTERSUNK SCREW, ZN
2	010695-000	1	STANDARD HINGE, RIGHT TOP, CHROME
3	007640-000	2	PLASTIC WIRE CLIP
4	PW210010	1	CABINET BACK (VUWC140) X 42241648
5	PW200010	17	SCREW, LENS COVER (QTY OF 2)
6	009487-000	1	BUSHING
7	009488-000	1	BACK SHROUD
8	010702-000	1	STANDARD HINGE, RIGHT BOTTOM, CHROME
9	PS100115	1	LOUVERED GRILLE SERV ASM - BK
10	PW300274	2	WASHER, INDOOR
11	009489-000	2	NO.12 X 3/4 TYPE AB PHILLIPS SCREW, BLACK
12	PS100083	1	DRIP TRAY, BLACK 142 WC 42244429
13	PW200019	2	POP RIVET
14	009490-000	1	DRAIN TUBE - BK
15	009491-000	1	3/4 SPACER - BK
16	009492-000	2	EVAPORATOR TRIM - BK
17	009494-000	2	1 - 1/4 SPACER - BK
18	PW300267	3	DRAFT TOWER MOUNTING SCREW (41006739) VUBD
19	009495-000	1	EVAPORATOR ASSEMBLY - BK
20	009497-000	1	HIGH VOLTAGE CONDUIT
NI	PW240014	1	LIGHT BULB 15 WATT VUWC 2240004A
NI	010053-000	1	LIGHT SOCKET
NI	010054-000	1	LIGHT HARNESS
NI	010031-000	4	LEVELING LEG



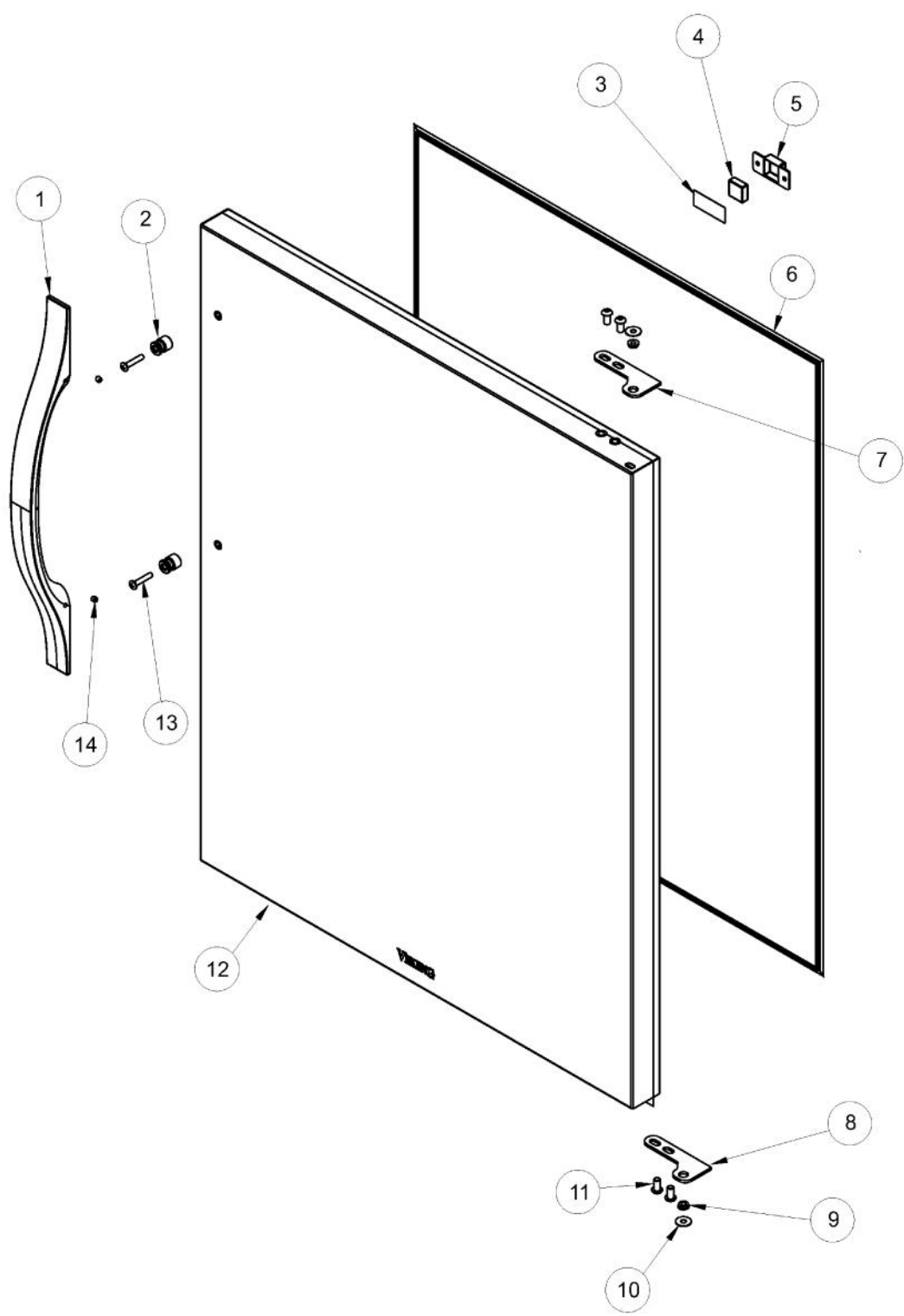
Ref #	Part Number	Qty.	Description
1	028588-000	1	DISPLAY ASM BK, 24 BC GLASS DR. (INC. WIRE SHELF)
	028592-000	1	DISPLAY ASM BK, 24 BC GLASS DR. (UNITS BUILT AFTER 01...
2	009482-000	1	COMMUNICATION CABLE
3	009483-000	1	EVAPORATOR TEMPERATURE THERMISTOR
4	007640-000	2	PLASTIC WIRE CLIP
5	009484-000	1	DISPLAY TEMPERATURE THERMISTOR
6	009485-000	2	MACHINE SCREW - SS
7	009486-000	2	NO.10 EXTERNAL TOOTH STAR WASHER, SS



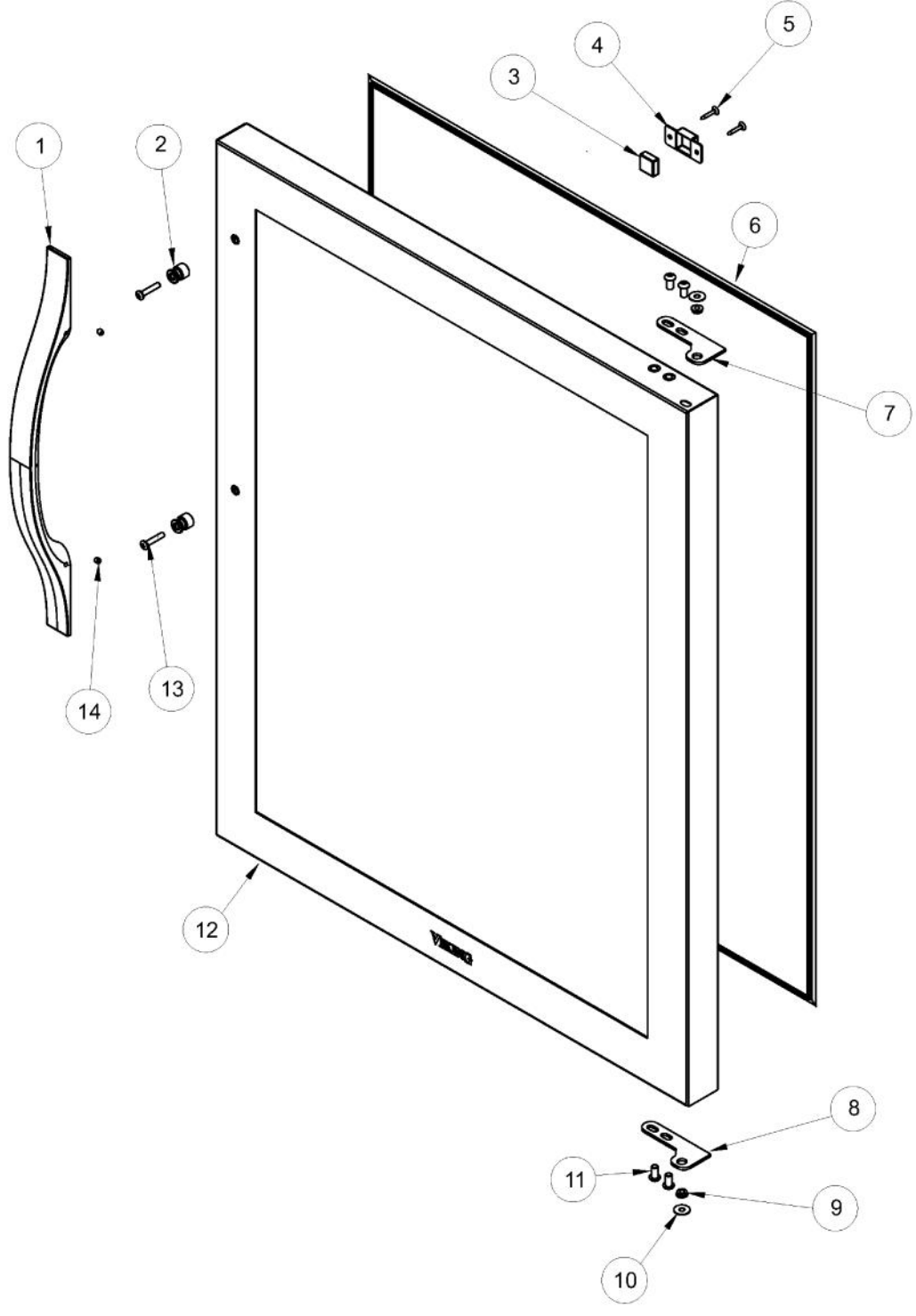
Ref #	Part Number	Qty.	Description
1	PW230059	2	FRONT GUARD TRIM (41005449)
2	PW210022	2	LARGE GLASS SHELF & TRIM 42243083
3	PW200015	4	SCREWS 08205079
4	009498-000	1	WIRE SHELF - CHROME
5	009499-000	2	1 BUMPER - BK
6	009501-000	8	SUPPORT MOUNTING PEG - BK
7	009503-000	8	SUPPORT PEG WASHER - BK
8	PW300267	8	DRAFT TOWER MOUNTING SCREW (41006739) VUBD
9	009505-000	1	UPPER WINE SHELF - CHROME
10	009506-000	1	LOWER WINE SHELF - CHROME



Ref #	Part Number	Qty.	Description
1	PS100021	1	PTC RELAY (42245131) 152 WC
2	009507-000	1	RELAY COVER
3	PS100020	1	OVERLOAD (42245133) 152 WC
4	PS100023	1	RUN CAPACITOR (42245134) 152 WC
5	009508-000	1	COMPRESSOR ASSEMBLY
6	PW200017	4	LOCK NUT .25-.20 UNC
7	PW200018	4	.312 ID FLAT WASHER
8	PW240005	1	FAN/MTR ASSY COMPLETE VUWC
9	PW200037	1	FAN BLADE
10	007638-000	1	COPPER TUBING
11	PW210013	1	FAN SHROUD (VUWC140) 42241349
12	PW300159	1	CONDENSER ASSY
13	PW240003	1	DRIER ASSY VUWC140
14	PW220009	1	DRAIN TUBE J-TRAP (42242901)
15	PW210014	1	DRIP PAN ASSY. (VUWC140)X42242055
16	009509-000	2	NO.8-36 SCREW
17	PW200023	4	CARRIAGE BOLT
18	PW200021	4	SCREW
19	009511-000	1	ELECTRONIC CONTROL BOARD
20	009513-000	4	STANDOFF
21	PW210011	1	BASEPLATE (VUWC140)
22	009514-000	1	CONTROL BOARD MOUNTING BRACKET
23	007641-000	4	NO.10 EXTERNAL TOOTH LOCKWASHER
24	PW200029	3	SCREW
25	PW300137	1	GROUND WIRE (VUIM150)
26	009515-000	1	NO.10-32 X 1/2 HEX WASHER HEAD SCREW
NI	005835-000	1	POWER CORD - 42242054



Ref #	Part Number	Qty.	Description
1	010081-000	1	DES DOOR HANDLE - SS
2	010080-000	2	STAND-OFF STUD - DESIGNER
3	009762-000	1	3M TAPE, 1.75
4	009759-000	1	DOOR SWITCH MAGNET
5	010216-000	1	DOOR SWITCH MAGNET RETAINER
6	PW230124	1	MAGNETIC GASKET, BLACK
7	009760-000	1	HINGE ADAPTER, TOP, SS
8	009757-000	1	HINGE ADAPTER, BOTTOM, SS
9	009755-000	2	HINGE BUSHING
10	009761-000	2	WASHER, NYLON
11	010212-000	4	SCREW, 1/4-20 SS
12	010051-000	1	DOOR ASSEMBLY - RT
	010052-000	1	DOOR ASSEMBLY - LT
13	PW300163	2	SCREW (VUIM150) 42243357
14	009644-000	2	SET SCREW



Ref #	Part Number	Qty.	Description
1	010081-000	1	DES DOOR HANDLE - SS
2	010080-000	2	STAND-OFF STUD - DESIGNER
3	009762-000	1	3M TAPE, 1.75
4	009759-000	1	DOOR SWITCH MAGNET
5	010668-000	1	RETAINER, MAGNET
6	PW230124	1	MAGNETIC GASKET, BLACK
7	009760-000	1	HINGE ADAPTER, TOP, SS
8	009757-000	1	HINGE ADAPTER, BOTTOM, SS
9	009755-000	2	HINGE BUSHING
10	009761-000	2	WASHER, NYLON
11	010212-000	4	SCREW, 1/4-20 SS
12	010045-000	1	DOOR ASSEMBLY - RT
	010046-000	1	DOOR ASSEMBLY - LT
	010047-000	1	DOOR ASSEMBLY - RT
	010048-000	1	DOOR ASSEMBLY - LT
13	PW300163	2	SCREW (VUIM150) 42243357
14	009644-000	2	SET SCREW