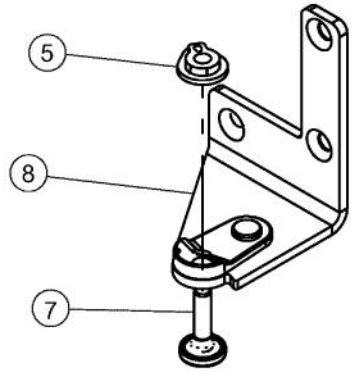
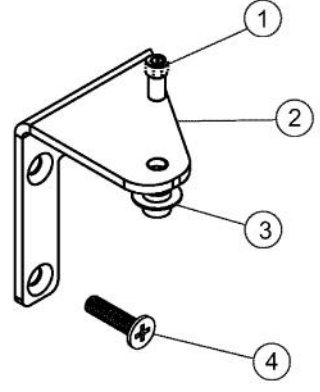
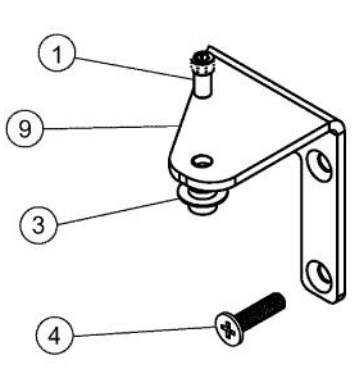
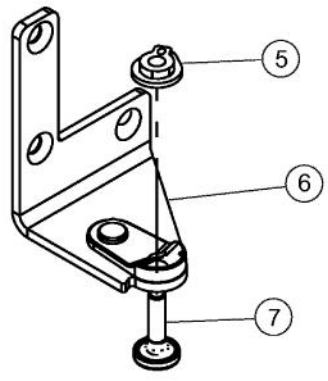


| Ref # | Part Number | Qty. | Description                                    |
|-------|-------------|------|--|
| 1     | PW230119    | 1    | DOOR GASKET (42243908)                         |
| 2     | 028352-000  | 1    | MAGNET   |
| 3     | 022265-000  | 2    | NO.8 X 3/4 BLACK SCREW                         |
| 4     | 028353-000  | 1    | MAGNET SWITCH RETAINER                         |
| 5     | 022248-000  | 4    | 1/4-20 X 1/2 BUTTON HEAD CAP SCREW             |
| 6     | 028355-000  | 1    | TOP HINGE ADAPTER, R.H. DOOR (SHOWN)           |
| 6     | 022900-000  | 1    | TOP HINGE ADAPTER, LEFT HAND                   |
| 7     | 022424-000  | 1    | SCREW : 4MM X 10MM                             |
| 8     | 028485-000  | 1    | RIGHT HAND DOOR ASSEMBLY, CLEAR, DUAR1541CRSS  |
| 8     | 028486-000  | 1    | RIGHT HAND DOOR ASSEMBLY, FLUTED, DUAR1541FRSS |
| 9     | 009521-000  | 2    | STANDOFF STUD                                  |
| 10    | 022434-000  | 2    | NO.10-32 X 1? TRUSS HEAD MACHINE SCREW         |
| 11    | 028382-000  | 2    | NO.10-32 X 5/16 CUP POINT SET SCREW            |
| 12    | 028381-000  | 1    | DOOR HANDLE ASSEMBLY                           |
| 13    | 028487-000  | 1    | LEFT HAND DOOR ASSEMBLY, CLEAR, DUAR1541CLSS   |
| 13    | 028488-000  | 1    | LEFT HAND DOOR ASSEMBLY, FLUTED, DUAR1541FLSS  |
| 14    | 022427-000  | 1    | DOOR STOP, L.H.                                |

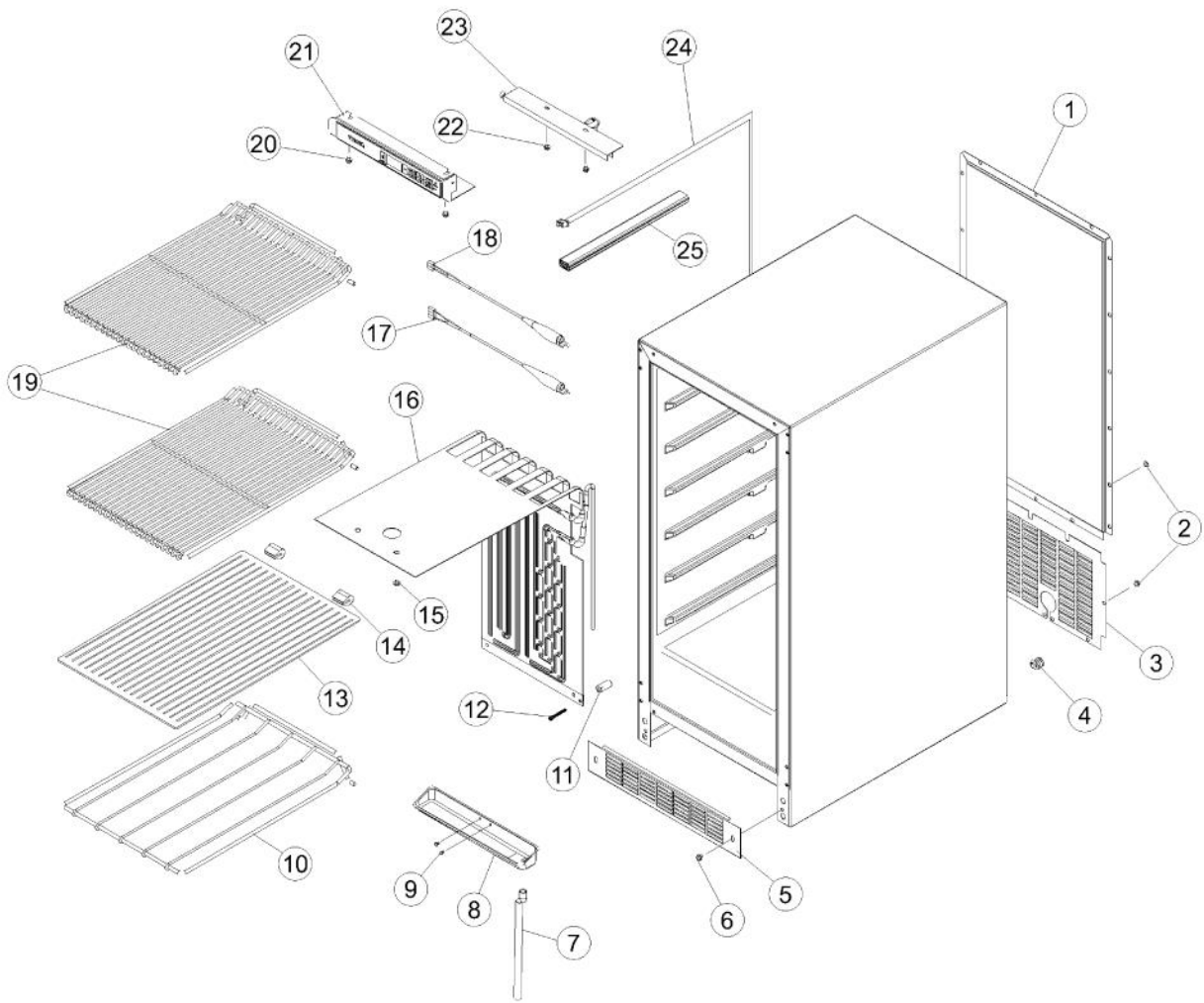


Right Hand

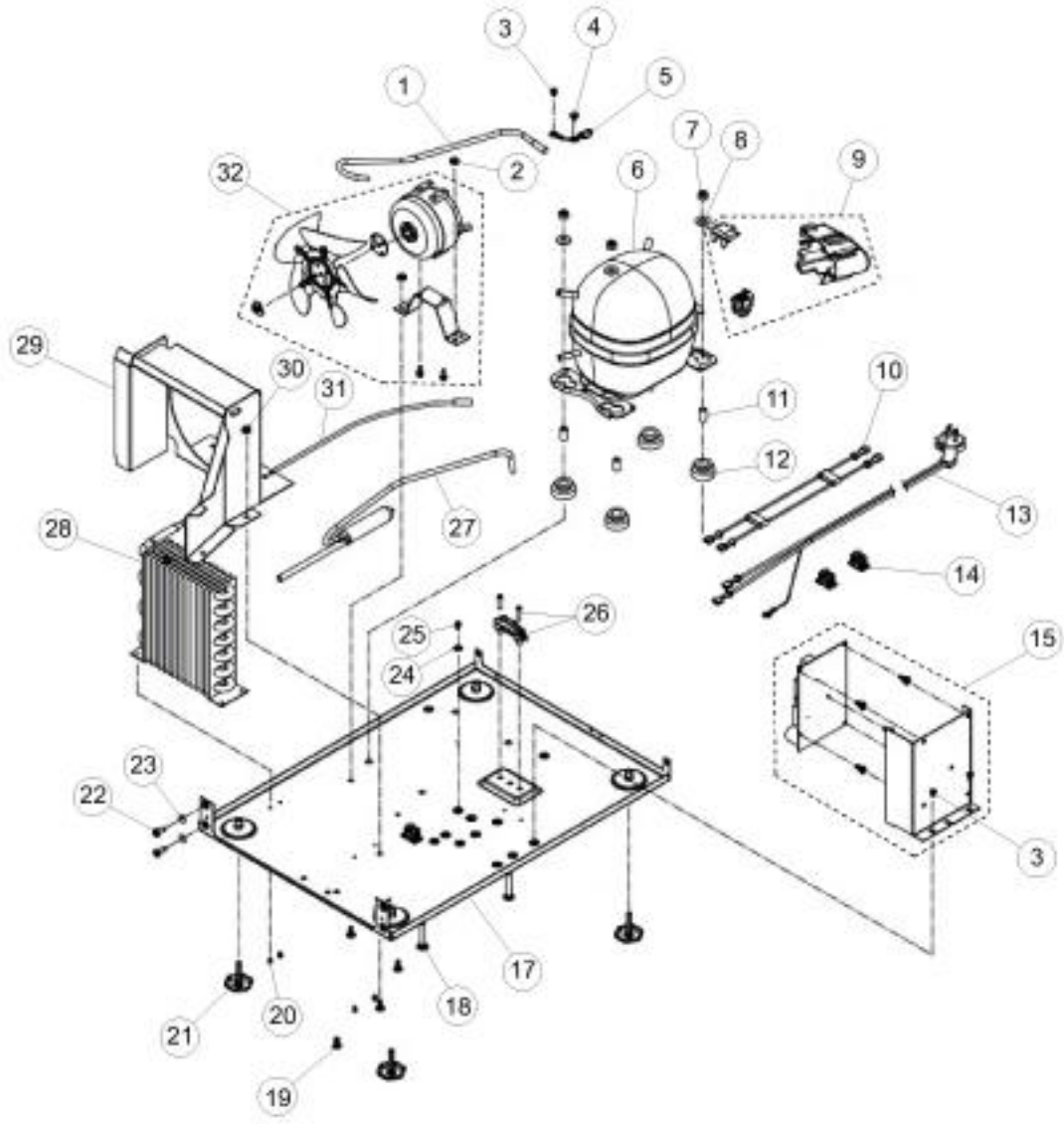


Left Hand

| Ref # | Part Number | Qty. | Description                   |
|-------|-------------|------|-------------------------------|
| 1     | 028354-000  | 1    | TOP HINGE PIN                 |
| 2     | 022416-000  | 1    | UPPER DOOR HINGE L.H.         |
| 3     | 022414-000  | 1    | BEARING, HINGE PIN UPPER      |
| 4     | 022252-000  | 6    | 10-32 X 3/4 COUNTERSUNK SCREW |
| 5     | 022423-000  | 1    | DOOR CLOSER CAM FOLLOWER      |
| 6     | 022420-000  | 1    | BOTTOM DOOR HINGE, L.H.       |
| 7     | 022240-000  | 1    | LOWER HINGE PIN               |
| 8     | 022417-000  | 1    | BOTTOM DOOR HINGE, R.H.       |
| 9     | 022415-000  | 1    | UPPER DOOR HINGE R.H.         |



| Ref # | Part Number     | Qty. | Description                          |
|-------|-----------------|------|--------------------------------------|
| 1     | 026849-000      | 1    | BACK PANEL                           |
| 2     | 022440-000      | 24   | NO.10 X 5/8 HEX HEAD SCREW           |
| 3     | 026850-000      | 1    | ACCESS COVER                         |
| 4     | 022446-000      | 1    | STRAIN RELIEF BUSHING                |
| 5     | 026851-000      | 1    | TOE GRILLE, BLACK                    |
| 6     | 022361-000      | 2    | NO.12X 3/4 BLACK TYPE A SCREW        |
| 7     | PW240045        | 1    | SERV. ASSY BLACK DRAIN TUBE 42244609 |
| 8     | 022461-000      | 1    | DRIP TRAY, BLACK                     |
| 9     | 022401-000      | 2    | POP RIVET NO.AD43ABS ALUMINUM        |
| 10    | 028473-000      | 1    | WINE SHELF                           |
| 11    | 022352-000      | 3    | BLACK SPACER, 1.00? LONG             |
| 12    | 022363-000      | 2    | NO.8 X 1-1/2 TRUSS HEAD SCREW, SS    |
| 13    | 028471-000      | 1    | GLASS SHELF                          |
| 14    | 028472-000      | 2    | BUMPER, BLACK                        |
| 16    | 022485-000      | 1    | EVAPORATOR ASSEMBLY, BLACK           |
| 17    | 009484-000      | 1    | DISPLAY TEMPERATURE THERMISTOR       |
| 18    | 022444-000      | 1    | EVAPORATOR TEMPERATURE SENSOR        |
| 19    | 005873-000      | 2    | WIRE SHELF - CHROME                  |
| 21    | 028583-000      | 1    | DISPLAY ASM BK, 15 BC GLASS DR.      |
| 22    | 022440-000      | 2    | NO.10 X 5/8 HEX HEAD SCREW           |
| 23    | PS100007        | 1    | AURA LIGHT ASSY (BLACK) 42245124     |
| 24    | 009482-000      | 1    | COMMUNICATION CABLE                  |
| 25    | 022481-000      | 1    | WIRE CONDUIT                         |
| NI    | NON-SERVICEABLE | 1    | TUB WELDMENT                         |



| Ref # | Part Number | Qty. | Description                                       |
|-------|-------------|------|---|
| 1     | 028475-000  | 1    | COPPER PROCESS TUBE, .25 OD X 19.00 LG            |
| 2     | 022381-000  | 4    | 10-24 HEX KEPS NUT                                |
| 3     | 022883-000  | 4    | NO.8-32 X 1/4 PHILLIPS PAN HEAD SCREW, GALVANIZED |
| 4     | 022402-000  | 1    | 10-32 X 1/2 HEX WASHER HEAD SCREW                 |
| 5     | PW300137    | 1    | GROUND WIRE (VUIM150)                             |
| 6     | 028378-000  | 1    | COMPRESSOR  |
| 7     | 022395-000  | 3    | CONVECTION MOTOR                                  |
| 8     | 022388-000  | 4    | FAN MOTOR   |
| 9     | 022948-000  | 1    | OVERLOAD PROTECTOR ASSEMBLY                       |
| 10    | 022373-000  | 1    | WIRING HARNESS, COMPRESSOR                        |
| 11    | 022912-000  | 4    | SLEEVE 2222006                                    |
| 12    | 022908-000  | 4    | GROMMET   |
| 13    | 028377-000  | 1    | POWER CORD  |
| 14    | 022359-000  | 3    | FASTEX CLAMP                                      |
| 15    | 022477-000  | 1    | ELECTRONIC CONTROL AND BRACKET ASSEMBLY           |
| 17    | 028476-000  | 1    | MECHANICAL BASEPLATE                              |
| 18    | 022404-000  | 4    | CARRIAGE BOLT 1/4-20 X 1.50 UNC 2A                |
| 19    | 022365-000  | 4    | 13 X 1/2 CARRIAGE BOLT                            |
| 20    | 022356-000  | 4    | 1/8 POP RIVET                                     |
| 21    | 022366-000  | 4    | LEG LEVELER                                       |
| 22    | 022252-000  | 4    | 10-32 X 3/4 COUNTERSUNK SCREW                     |
| 23    | 022403-000  | 4    | NO.10 COUNTERSUNK WASHER                          |
| 24    | 022358-000  | 4    | NO.12 EXTERNAL TOOTH STAR WASHER                  |
| 26    | 022380-000  | 2    | POWER CORD CLAMP KIT (W/SCREWS)                   |
| 27    | PW240030    | 1    | DRIER (42242894)                                  |
| 28    | 028474-000  | 1    | CONDENSER, R-134A                                 |
| 29    | 028477-000  | 1    | FAN SHROUD  |
| 31    | 022772-000  | 1    | COPPER DISCHARGE TUBE, .187 OD X 19.00LG          |
| 32    | PW300152    | 1    | FAN MOTOR ASSY (VUIM150) 42244701                 |
| NI    | 022380-000  | 2    | POWER CORD CLAMP KIT (W/SCREWS)                   |