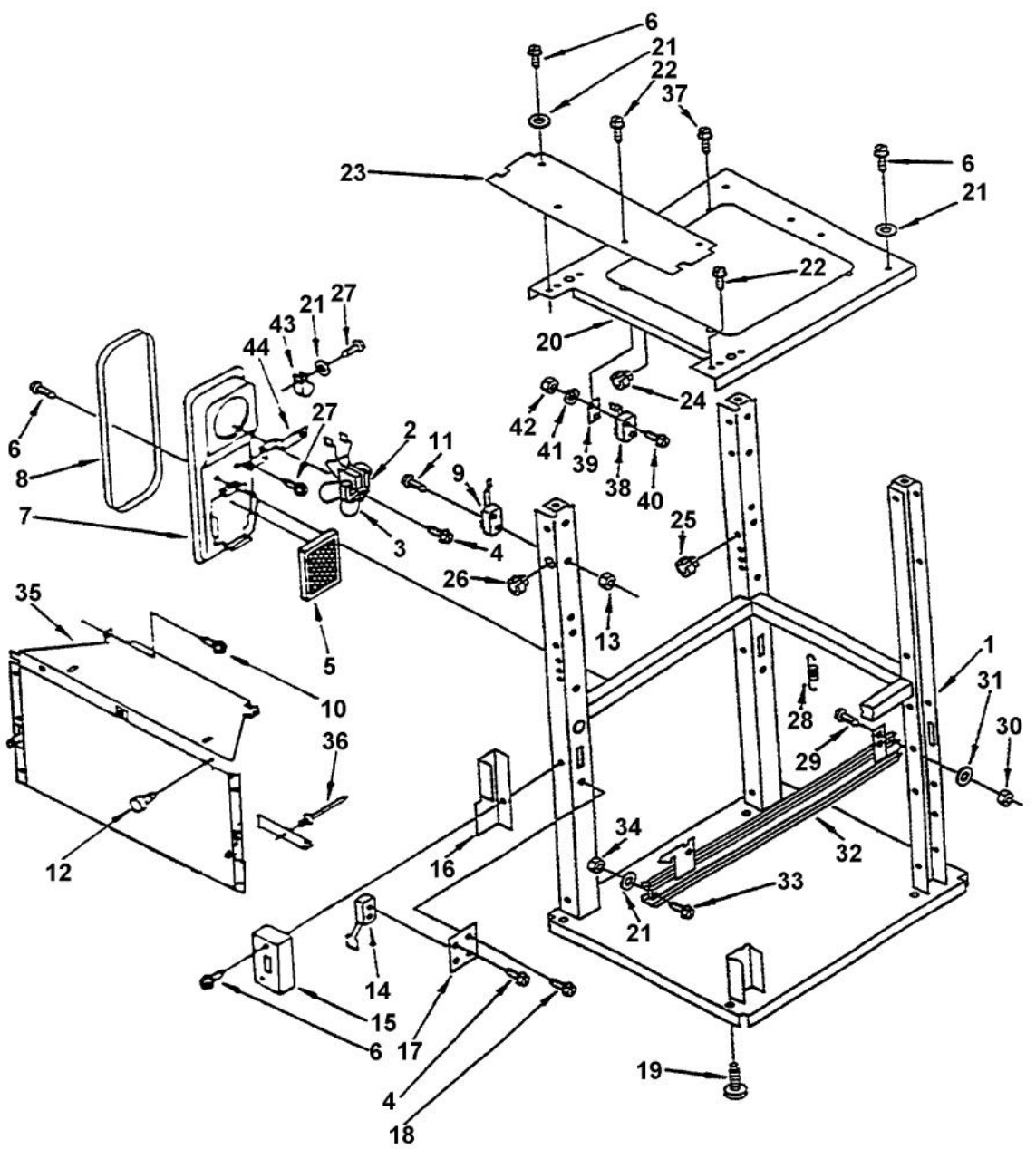
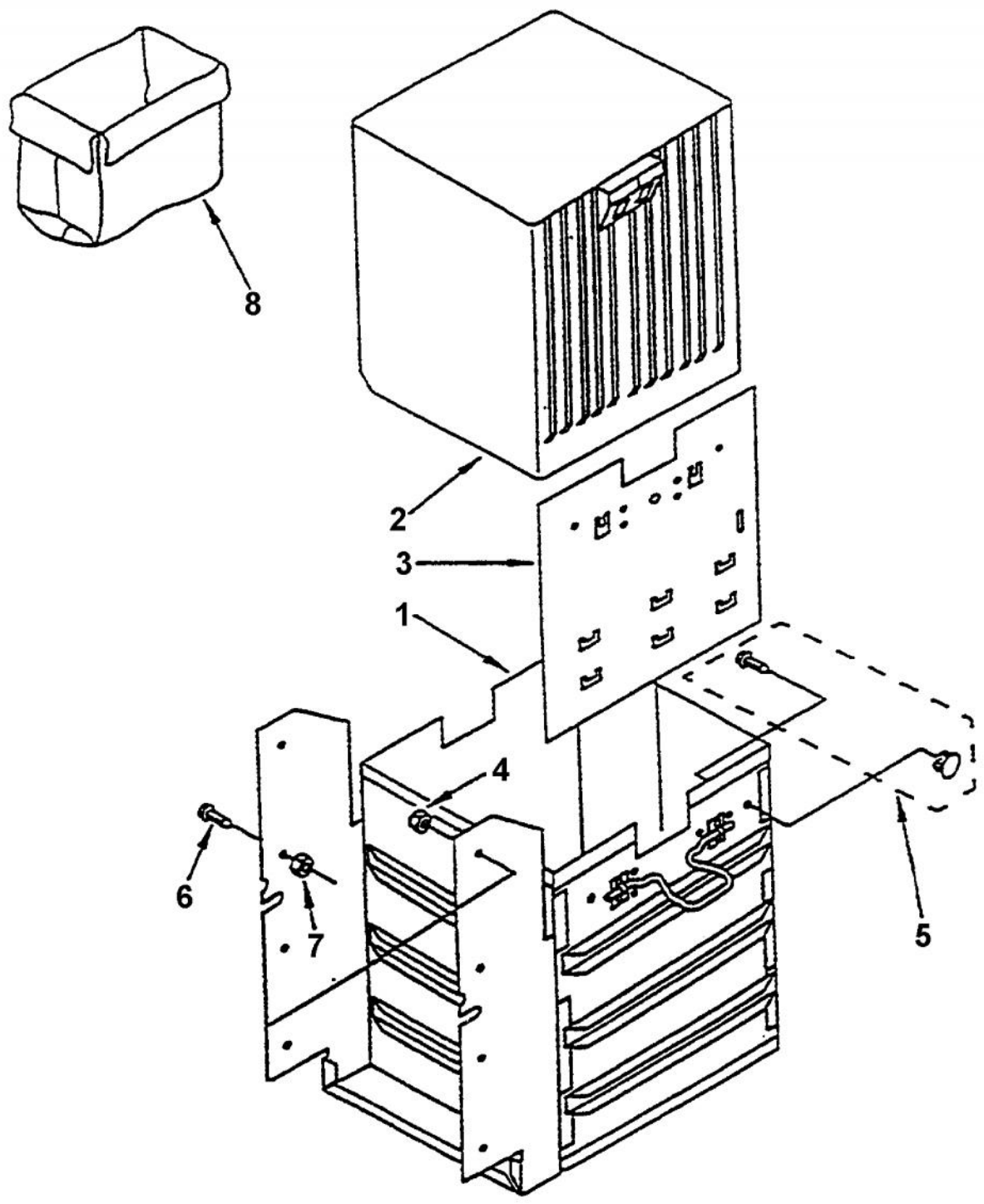


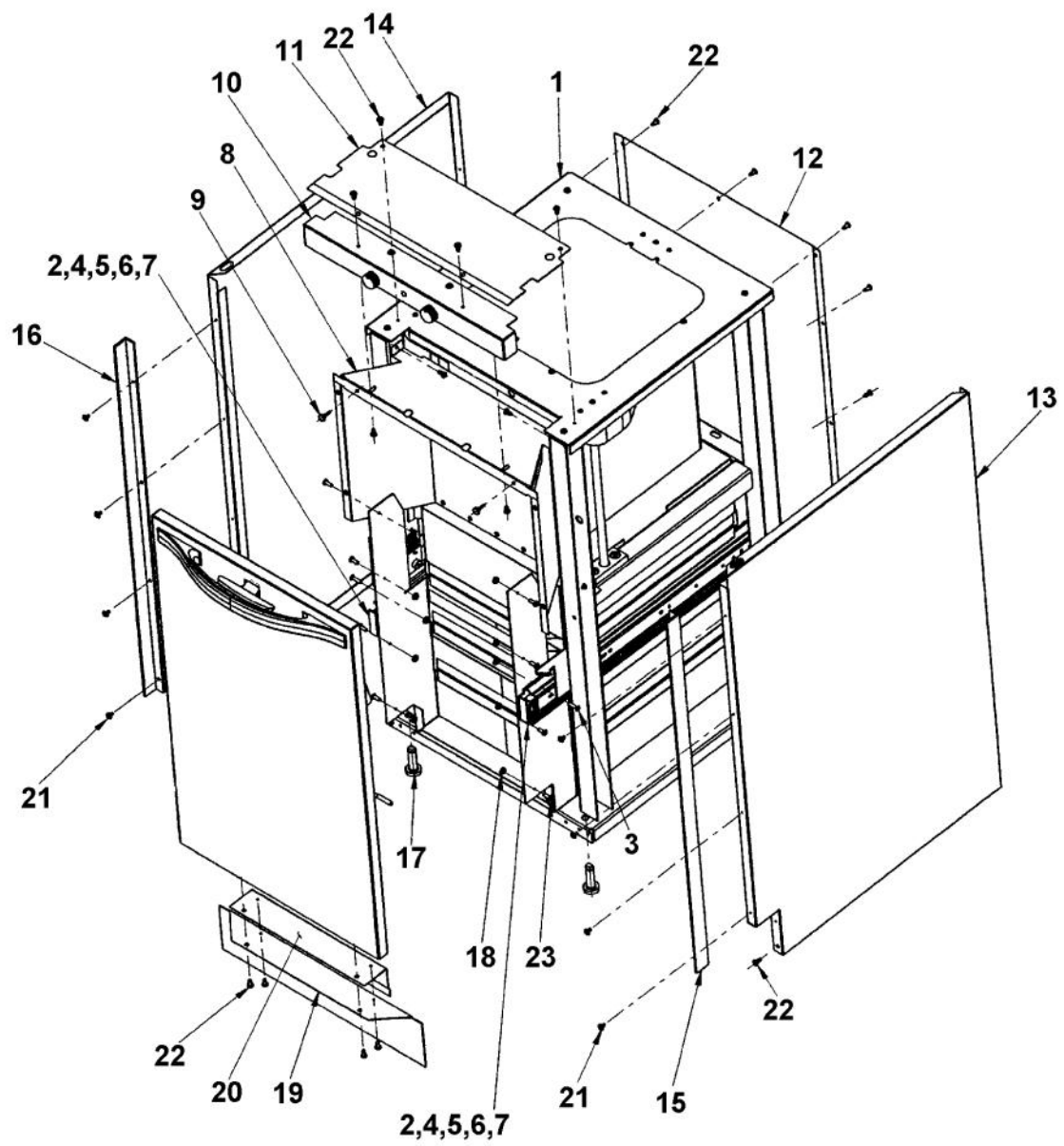
Ref #	Part Number	Qty.	Description
1	PC120001		MOTOR DRIVE
2	PC100019		DRIVE BELT
3	PC100020		DRIVEN SPROCKET
4	PC100001		1/4-20 X 2 SCREW
5	PC110001		TOP RAM
6	PC110002		BOTTOM RAM
7	PD020028		SCREW, DRIVE NO.8-18 X 1/2 PAN C.REC
8	PC100003		10-32 NUT
9	PC110003		TOP BRACE
10	PC100018		DRIVE CHAIN
11	PC100004		5/16-18 NUT
12	PC100005		WASHER
13	PC110004		UPPER RAM STOP
14	PC110007		SIDE PANEL-L.H.
	PC110008		SIDE PANEL-R.H.
	PC110009		REAR PANEL
15	PD010003		10-24 X 1/2 PH.TR.HD.SERD.M.S.
16	PC100021		POWER SCREW SPROCKET
17	PC100022		POWER SCREW
18	PD010006		HEX HD. BOLT - 1/4-20 X 1/2
19	PC110010		LOWER STOP RAM
20	PC100002		NUT
21	PC100006		NUT RETAINER
22	PC100007		NO.8 X 5/16 SCREW
23	PC100008		WASHER
24	PC100023		IDLER SPROCKET
25	PC100009		REPL PC100043 PUSH NUT
26	PC110011		IDLER PLATE
27	PC100010		BUSHING
28	PC110012		IDLER ARM-L.H.
	PC110013		IDLER ARM-R.H.
29	PC100011		CHAIN TENSION SPRING
30	PC100012		NO.10 X 12 SCREW
31	PC100013		WASHER
32	PC120002		DIRECTIONAL SWITCH
33	PD020025		SCREW, DRIVE NO.6-32 X 1 PAN C.REC.T
34	PC100014		WIRE RETAINER
35	PC100015		WIRING GROMMET
36	PC100024		TIMING PULLEY
37	PC110014		DEFLECTOR DEBRIS
38	PC100016		GEAR PIN



Ref #	Part Number	Qty.	Description
1	NOT REPLACEABLE		OVEN CAVITY (NOT REPLACEABLE PART)
2	PC120003		FAN MOTOR
3	PC120004		FAN BLADE
4	PD020025		SCREW, DRIVE NO.6-32 X 1 PAN C.REC.T
5	PC130001		AIR FILTER
6	PD010003		10-24 X 1/2 PH.TR.HD.SERD.M.S.
7	PC110015		FILTER HOUSING
8	PC130002		HOUSING GASKET
9	PC120005		RAM STOP SWITCH
10	PD010003		10-24 X 1/2 PH.TR.HD.SERD.M.S.
11	PD020025		SCREW, DRIVE NO.6-32 X 1 PAN C.REC.T
12	PC100029		DOOR BUMPER
13	PD030012		6-32 HEX NUT
14	PC120006		DRAWER SWITCH
15	PC110016		BLOCK
16	PC110017		BARRIER
17	PC110018		BRACKET
18	PD020004		10X3/8PH.HD.TYPE 25 REPL PD040125
19	PC130003		LEVELING FOOT
20	PC110019		FRAME COVER PLATE
21	PC100028		WASHER
22	PD020013		TYPE AB NO.6 X 3/8 PH PAN HD. SMS
23	PC110020		TOP FRONT PLATE
24	PC100026		BUSHING
25	PC100030		STRAIN RELIEF
26	PC100027		BUSHING
27	PC100025		SCREW
28	PC100031		TRACK SPRING
29	PD010006		HEX HD. BOLT - 1/4-20 X 1/2
30	PD030008		HEX NUT
31	PC100032		WASHER
32	G3007982		SLIDE WELDING ASSY, RH
	G3007983		SLIDE WELDING ASSY, LH
33	PD010009		NO.10-32 X 3/8 PH.TR.HD.
34	PD030012		6-32 HEX NUT
35	G3108297		LITTER BIN ASSY (DUC180)
36	PC100017		RIVET
37	PD020013		TYPE AB NO.6 X 3/8 PH PAN HD. SMS
38	PC120008		LIMIT SWITCH
39	PC130005		BAFFLE
40	PD020029		DRIVE SRW - NO.4-40 X 3/4T(F)PN.HD.CR
41	PC100033		LOCK WASHER
42	PC100034		NUT
43	PC100035		CORD RETAINER
44	PC110023		MOTOR BRACKET

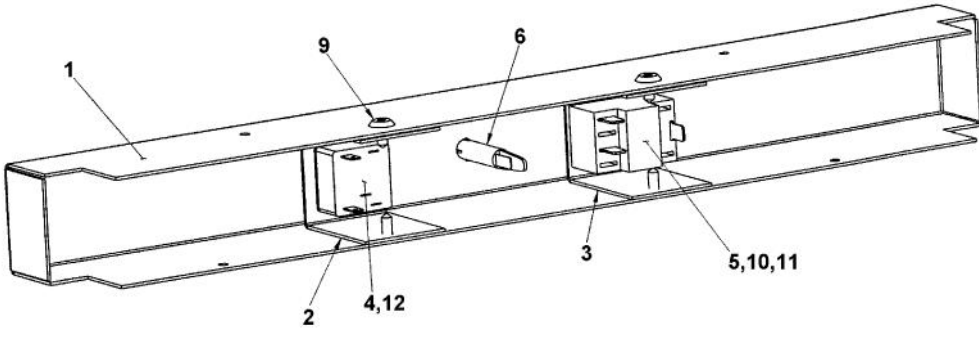
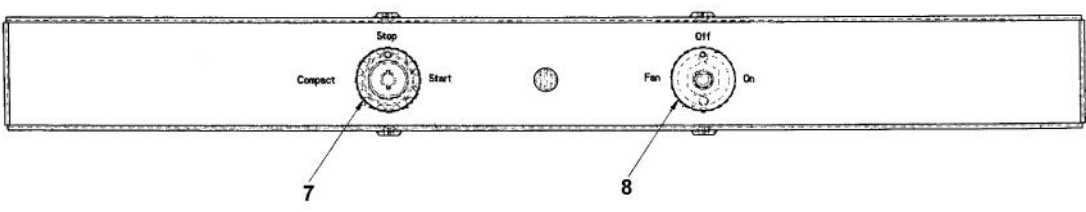


Ref #	Part Number	Qty.	Description
1	PC130006		CONTAINER
2	PC110024		SUB TO G50012660 - CONTAINER LINER
3	PC110028		RELIEF PLATE
4	PC100038		NO.10-32 NUT
5	PC100041		BAG RETAINER
6	PD010009		NO.10-32 X 3/8 PH.TR.HD.
7	PC100042		LOCK NUT
8	SALES ITEM		WATER FILTER
NI	PC120015		POWER CORD
NI	PC120016		WIRING HARNESS-MAIN
NI	PC120017		WIRING HARNESS-RAM SWITCH TO KEY
NI	PC120018		WIRING HARNESS-ROCKER SWITCH TO FAN
NI	PC120019		WIRING HARNESS-MTR DR TO DIRECT SWT
NI	PC120020		WIRING HARNESS-INTERLOCK TO BYPASS
NI	PC120021		WIRING HARNESS-POWER DISTRIBUTION

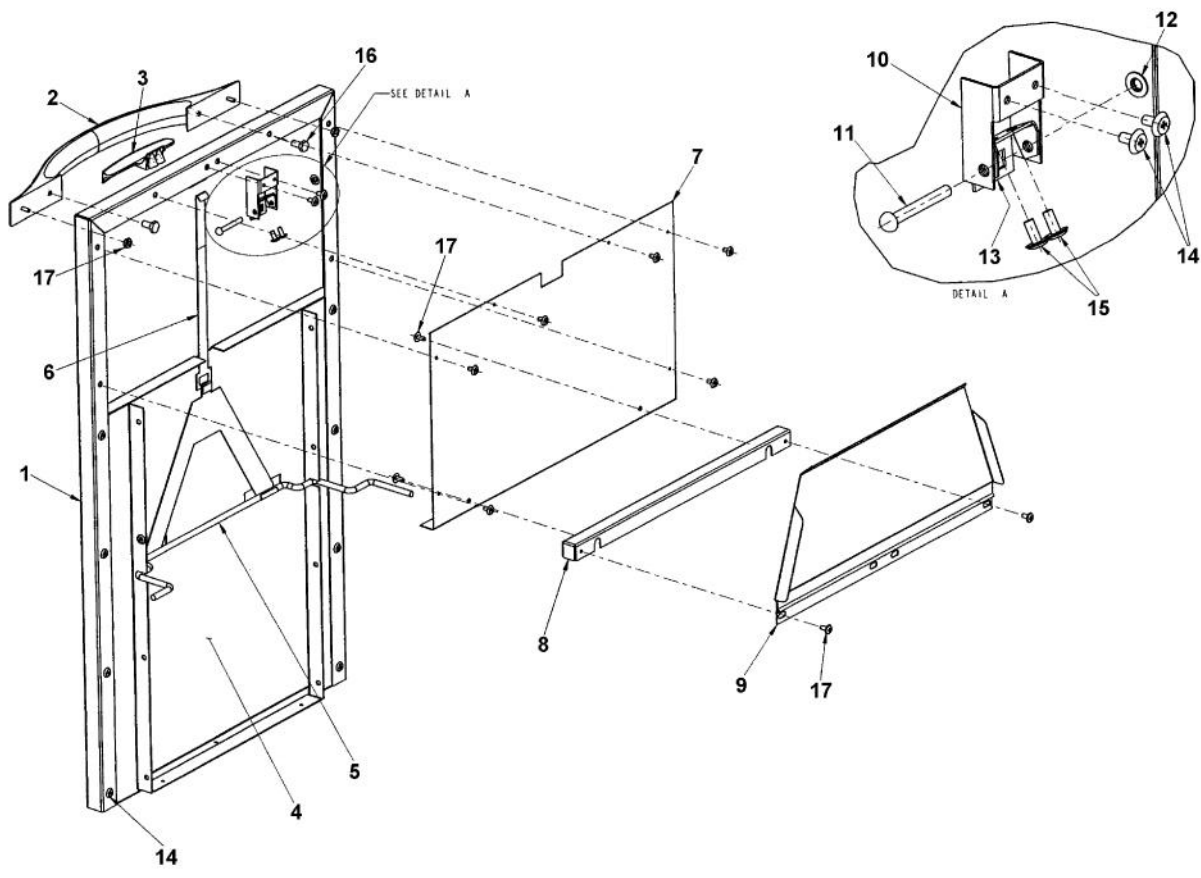


Ref #	Part Number	Qty.	Description
1	NOT REPLACEABLE		OVEN CAVITY (NOT REPLACEABLE PART)
2	G3007982		SLIDE WELDING ASSY, RH
	G3007983		SLIDE WELDING ASSY, LH
3	PD020017		SCREW - NO.10 X 1/2 PH.CTRSK.SMS
4	PD010006		HEX HD. BOLT - 1/4-20 X 1/2
5	PC100031		TRACK SPRING
6	PD030008		HEX NUT
7	PC100032		WASHER
8	G3108297		LITTER BIN ASSY (DUC180)
9	PC100029		DOOR BUMPER
10	G3207984BK		CONTROL PANEL (BK) DUC180
	G3207984BKBR		COMPLETE CONTROL PANEL ASSY. - BKBR
	G3207984BT		COMPLETE CONTROL PANEL ASSY. - BT
	G3207984BTBR		COMPLETE CONTROL PANEL ASSY. - BTBR
	G3207984GG		COMPLETE CONTROL PANEL ASSY. - GG
	G3207984GGBR		COMPLETE CONTROL PANEL ASSY. - GGBR
	G3207984SG		COMPLETE CONTROL ASSY XSGX (DUC180)
	G3207984SGBR		COMPLETE CONTROL PANEL ASSY. - SGBR
	G3207984SS		DUC CONTROL ASSEMBLY
	G3207984SSBR		COMPLETE CONTROL PANEL ASSY. - SSBR
	G3207984WH		COMPLETE CONTROL PANEL ASSY. - WH
	G3207984WHBR		COMPLETE CONTROL PANEL ASSY. - WHBR
11	PC110020		TOP FRONT PLATE
12	PC110033		CABINET BACK PANEL
13	C9007688BK		SIDE PANEL-RH XBKX
14	C9007687BK		SIDE PANEL-RH XBKX
15	F1007678		CABINET TRIM-RH SIDE
16	F1007677		CABINET TRIM - LH SIDE
17	PC130003		LEVELING FOOT
18	PC100038		NO.10-32 NUT
19	PC110026		TOE PLATE
20	PC110027		TOE PLATE BRACKET
21	PD020032		SRW-8(A)X3/8PH.WFR HD 7/16DIAXNICL
22	PD020002		10 X 1/2 PH.TR.HD.SMS.
23	PD020018		SCREW - NO.10-32 X 1/2 PH.TR.SER.HD.





Ref #	Part Number	Qty.	Description
1	B9207684		CONTROL PANEL (DUC180)
	C9207684BK		CONTROL PANEL XBKX
	C9207684BT		CONTROL PANEL - BT
	C9207684GG		CONTROL PANEL - GG
	C9207684SG		CONTROL PANEL - SG
	C9207684WH		CONTROL PANEL XWHX
2	A2007680		FAN SWITCH BRACKET
3	A2007682		KEYLOCK SWITCH BRACKET
4	PE050117		FAN SWITCH -DESIGN. TRASH COMPACTOR
5	PC120012BK		ROTARY SWITCH (FOR BLACK MODELS)
6	PE050073		DESIGNER INDICATOR LT
7	PA010128		SELECTOR KNOB ASSY
	PA010128PVD		SELECTOR KNOB ASSY BRASS
	PA010132		SELECTOR KNOB ASSY GRAY
	PA010132PVD		KEY KNOB ASSY. - WH / BR
8	PA010127		FAN SWITCH KNOB ASSY
	PA010127PVD		FAN SWITCH KNOB ASSY BRASS
	PA010131		FAN KNOB ASSY. - WH
	PA010131PVD		FAN KNOB ASSY. - WH / BR
9	PD020032		SRW-8(A)X3/8PH.WFR HD 7/16DIAXNICL
10	PC100052		WASHER
11	PC100047BK		SWITCH NUT (BLACK)
	PC100047SS		SWITCH NUT (S.S.)
	PC100047WH		SWITCH NUT - WH
12	PD020084		6-32 X 1/4 PAN PHIL TYPE F XSSX



Ref #	Part Number	Qty.	Description
1	B3007683		FRONT DOOR DUC180
	C9007683BK		DOOR SKIN XBKX DESIGN COMPACTOR
	C9007683BT		O/S DOOR PANEL - BT
	C9007683GG		DOOR SKIN XGGX DESIGN COMPACTOR
	C9007683SG		O/S DOOR PANEL - SG
	C9007683WH		DOOR SKIN XWHX DESIGN COMPACTOR
2	PE030168		DESIGNER COMPACTOR HANDLE
	PE030168PVD		DESIGNER COMPACTOR HANDLE PVD
3	PE030118		LIFT HANDLE DUC180
	PE030118PVD		BRASS LIFT HANDLE (DESIGNER COMPACTOR)
4	A2007686		FRONT CONTAINER
5	PC120011		LATCH ASSEMBLY
6	A2007929		LATCH EXTENSION DUC180
7	B2007685		DOOR COVER
8	B2008291		BRACKET, STORAGE COVER
9	G3108298		STORAGE COVER ASSEMBLY (DUC180)
10	A2007927		LATCH HINGE
11	PC100040		PIN
12	PC100053		NLA
13	A2007928		LATCH, ELBOW
14	PD020032		SRW-8(A)X3/8PH.WFR HD 7/16DIAXNICL
15	PD020004		10X3/8PH.HD.TYPE 25 REPL PD040125
16	PD010019		BLT-1/4-20X3/8HEX WASHER SERATED
17	PD020002		10 X 1/2 PH.TR.HD.SMS.
18	PD030044		10-24 KEPS NUT SS
NI	014340-000	1	COMPACTOR, DOOR, SST, DESIGNER