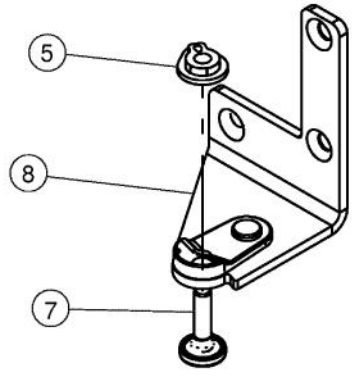
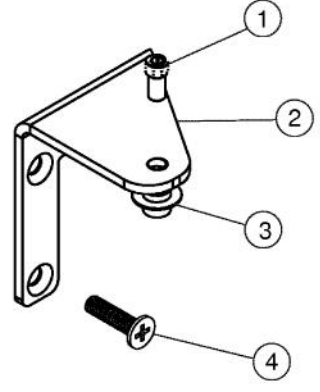
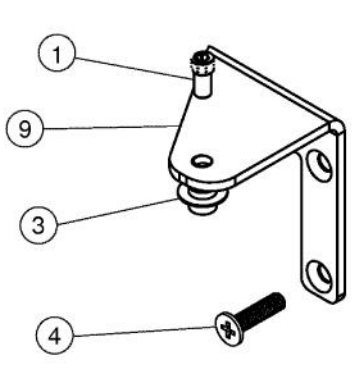
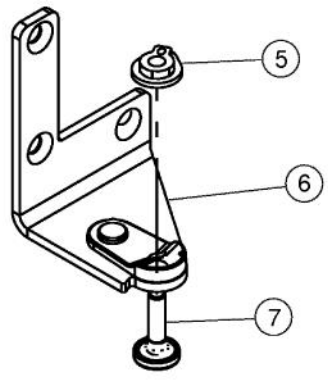


Ref #	Part Number	Qty.	Description
1	036642-000	1	DOOR ASSEMBLY RH (DUIM)
1	036643-000	1	DOOR ASSEMBLY LH (DUIM)
2	028355-000	1	TOP HINGE ADAPTER, R.H. DOOR (SHOWN)
2	022900-000	1	TOP HINGE ADAPTER, LEFT HAND
3	022248-000	4	1/4-20 X 1/2 BUTTON HEAD CAP SCREW
4	PW230017	1	DOOR GASKET (VUAR/VUWC) 42242914
5	022427-000	1	DOOR STOP, L.H.
5	022424-000	1	SCREW : 4MM X 10MM
6	PS100055	1	VIKING NAMEPLATE 142 WC (42242662)
7	028381-000	1	DOOR HANDLE ASSEMBLY
8	028382-000	2	NO.10-32 X 5/16 CUP POINT SET SCREW
9	022434-000	2	NO.10-32 X 1? TRUSS HEAD MACHINE SCREW
10	009521-000	2	STANDOFF STUD

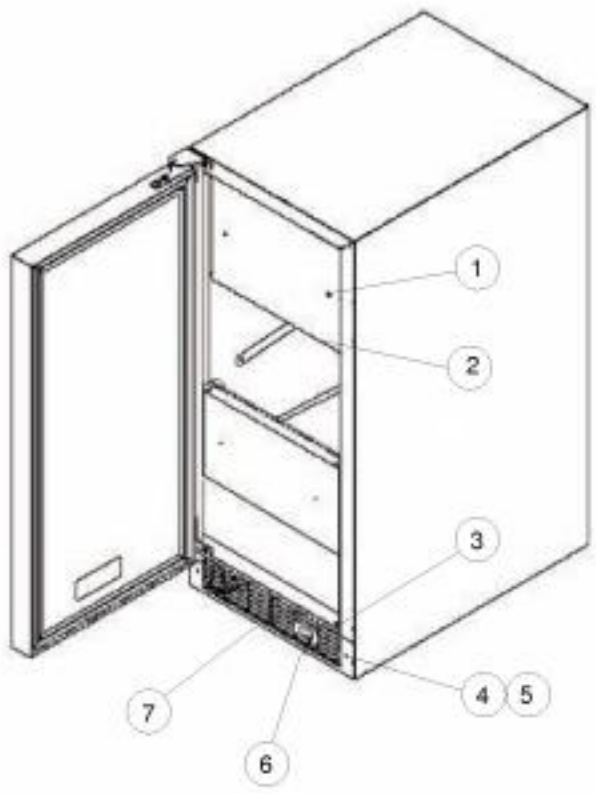


Right Hand

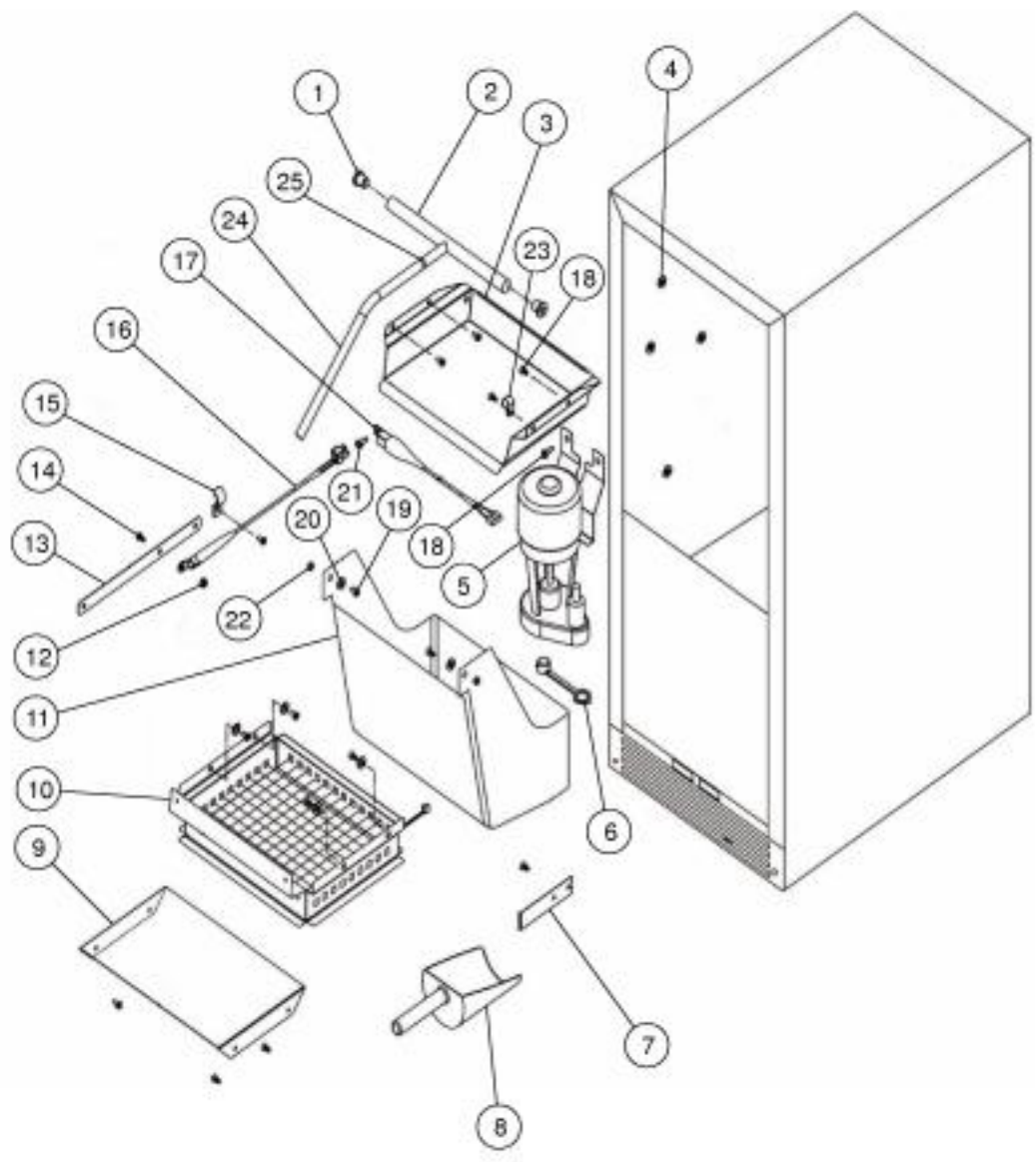


Left Hand

Ref #	Part Number	Qty.	Description
1	028354-000	1	TOP HINGE PIN
2	036626-000	1	UPPER DOOR HINGE LH
3	022414-000	1	BEARING, HINGE PIN UPPER
4	022252-000	6	10-32 X 3/4 COUNTERSUNK SCREW
5	022423-000	1	DOOR CLOSER CAM FOLLOWER
6	036627-000	1	BOTTOM DOOR HINGE LH
7	022240-000	1	LOWER HINGE PIN
8	036628-000	1	BOTTOM DOOR HINGE RH
9	036629-000	1	UPPER DOOR HINGE RH

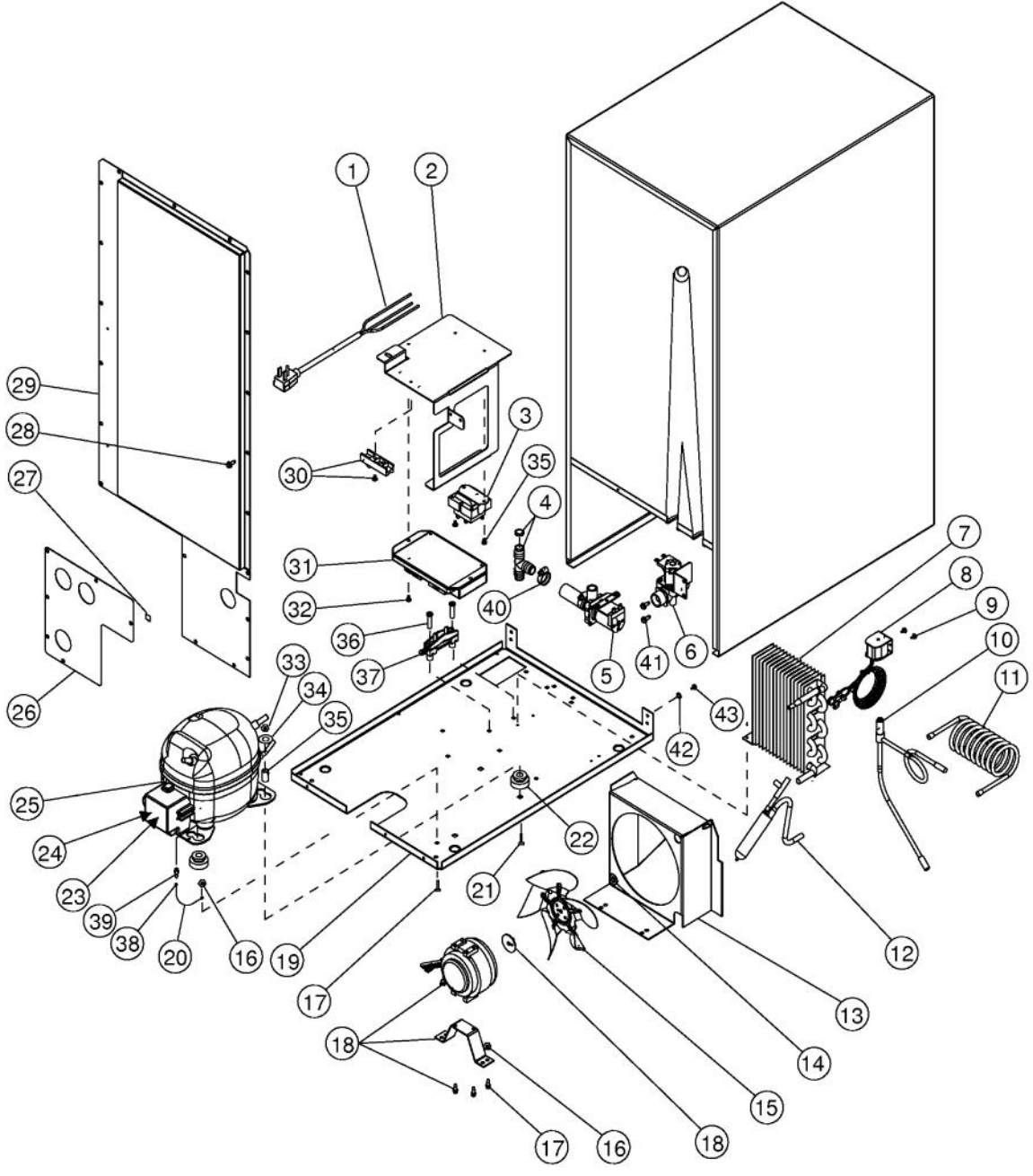


Ref #	Part Number	Qty.	Description
1	022820-000	2	10-32 X 1/2 MACHINE SCREW, SS
2	022793-000	1	ESCUTCHEON ASSY
3	022778-000	6	HOLE PLUG
4	036644-000	2	NO.12 X 3/4 HEX WASHER HEAD BLACK SCREW
5	022396-000	2	NO.10 EXTERNAL TOOTH LOCK WASHER
6	022754-000	1	TUBING, .250 X 6.25
7	036631-000	1	GRILLE, BLACK



Ref #	Part Number	Qty.	Description
1	022786-000	2	DISTRIBUTOR TUBE END
2	022785-000	1	DRAIN TUBE, WHITE W/HOSE CLAMP
3	022787-000	1	EVAPORATOR ASSEMBLY, WHITE W/SCREWS & CLAMP
4	022792-000	20	10-32 WELLNUT
5	026787-000	1	CIRCULATION PUMP W/ SCREWS
6	022789-000	1	DRAIN PLUG
7	022784-000	1	RETAINER CLIP W/ SCREWS
8	022795-000	1	ICE SCOOP
9	022791-000	1	DEFLECTOR ASSY
10	022790-000	1	GRID-CUTTER ASSEMBLY
11	022788-000	1	RESERVOIR ASSY
12	036606-000	1	NO.10-24 LOCK NUT
13	036607-000	1	BIN SENSOR BAR
14	036608-000	1	10-24 PHILLIPS HEAD SCREW, SS
15	036609-000	1	P-CLAMP
16	036610-000	1	SLEEVE WITH THERMISTOR
17	022828-000	1	EVAPORATOR THERMISTOR W/SCREW
18	036611-000	18	10-32 X 1 TRUSS HEAD SCREW
19	022872-000	2	NO.10-32 MACHINE SCREW
20	036612-000	2	1/4 LARGE VINYL SPACER, WHITE
21	022820-000	1	10-32 X 1/2 MACHINE SCREW, SS
22	022836-000	2	PLASTIC WASHER
23	022818-000	2	P-CLAMP, WHITE
24	022921-000	1	DRAIN TUBE
25	036613-000	1	HOSE CLAMP





Ref #	Part Number	Qty.	Description
1	PS100134	1	POWER CORD REF. DRAWER
2	036614-000	1	BRACKET, SATURN CONTROL
3	026790-000	1	TRANSFORMER, 120V TO 12V
4	026791-000	1	TEE FIT'G/FLOW RESTRICTOR ASSY W/ CLAMPS
5	026792-000	1	DRAIN VALVE
6	026793-000	1	VEWD 5-SERIES LH I/S SIDE
7	028504-000	1	CONDENSER
8	036615-000	1	SOLENOID COIL
9	036616-000	2	M4 X .7 X 5.0 PHILLIPS PAN HEAD SCREW
10	036617-000	1	HOT GAS VALVE
11	022839-000	1	PRECOOLER
12	022832-000	1	DRIER ASSEMBLY
13	036634-000	1	FAN SHROUD
14	036619-000	1	NUT, TINNEMAN
15	028421-000	1	FAN BLADE
16	022381-000	5	10-24 HEX KEPS NUT
17	022365-000	6	13 X 1/2 CARRIAGE BOLT
18	028536-000	1	FAN MOTOR ASSY
19	036621-000	1	BASEPLATE
20	PW300137	1	GROUND WIRE (VUIM150)
21	022815-000	3	CARRIAGE BOLT 1/4-20 X 1.25 UNC 2A
22	022908-000	4	GROMMET
23	022948-000	1	OVERLOAD PROTECTOR ASSEMBLY
24	036624-000	1	POWER CORD CLAMP W/SCREWS
25	028378-000	1	COMPRESSOR
26	036635-000	1	ACCESS PANEL
27	022796-000	1	U-CLIP
28	022440-000	25	NO.10 X 5/8 HEX HEAD SCREW
29	036636-000	1	RAISED BACK PANEL
30	022906-000	1	TERMINAL BLOCK
31	022829-000	1	ELECTRONIC CONTROL, SATURN
32	022880-000	5	NO.8 X 3/8 PHILLIPS PAN HEAD SCREW
33	022395-000	3	CONVECTION MOTOR
34	022388-000	2	FAN MOTOR
35	022912-000	2	SLEEVE 2222006
38	022358-000	2	NO.12 EXTERNAL TOOTH STAR WASHER
39	022883-000	2	NO.8-32 X 1/4 PHILLIPS PAN HEAD SCREW, GALVANIZED
40	036625-000	1	HOSE CLAMP
41	022440-000	2	NO.10 X 5/8 HEX HEAD SCREW
42	022403-000	4	NO.10 COUNTERSUNK WASHER
43	022252-000	4	10-32 X 3/4 COUNTERSUNK SCREW