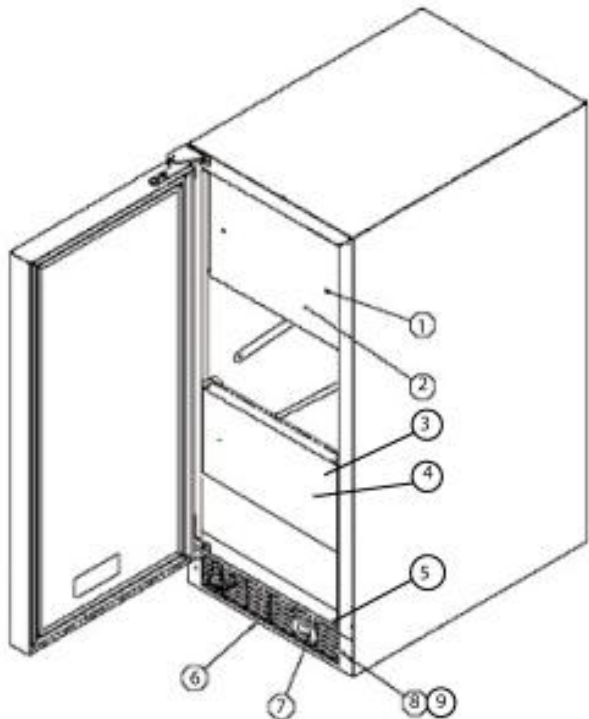
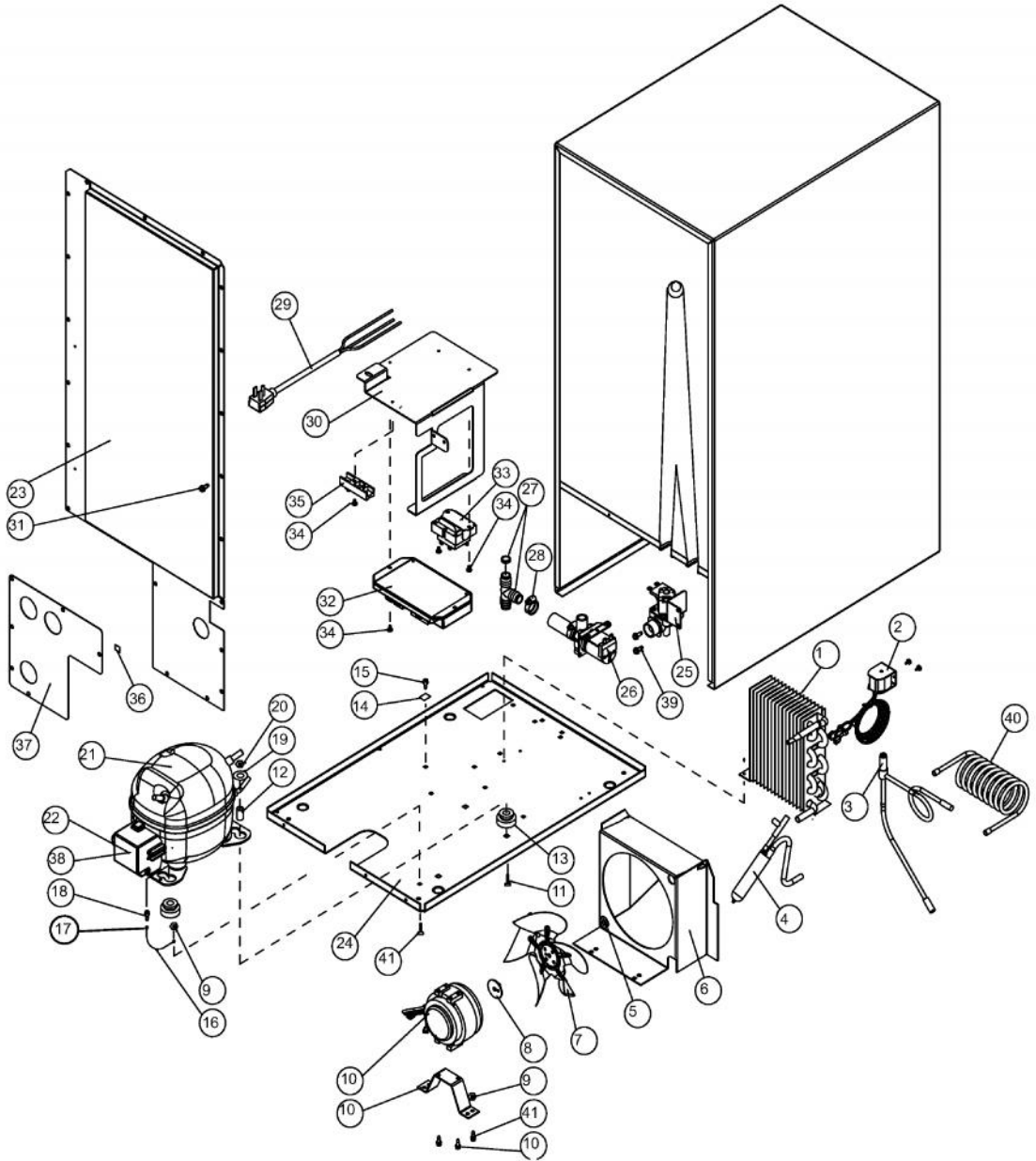


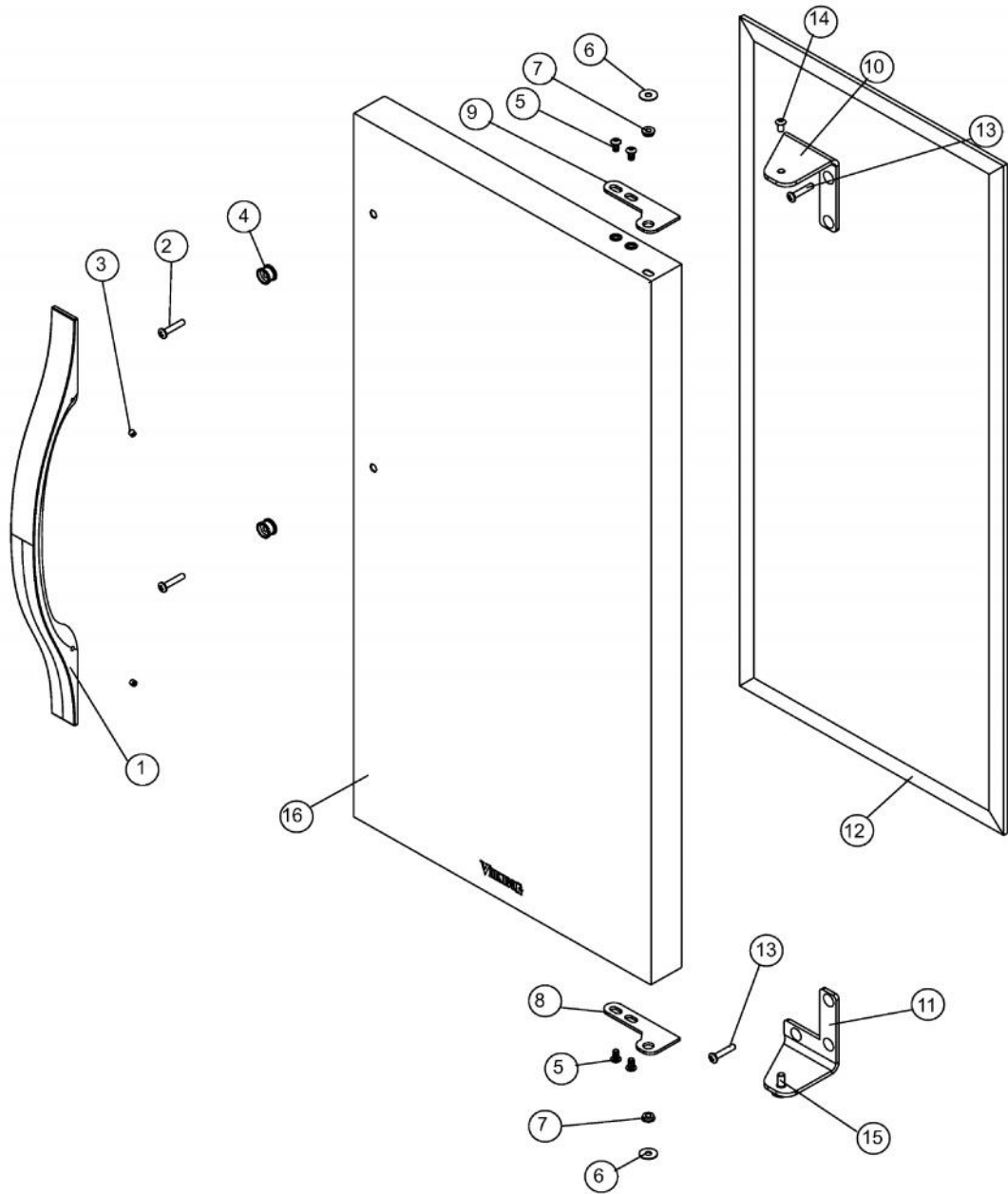
Ref #	Part Number	Qty.	Description
1	017609-000	2	DISTRIBUTOR TUBE END
2	017610-000	1	DISTRIBUTOR TUBE
3	017611-000	1	EVAPORATOR ASSEMBLY, WHITE
4	017612-000	4	SCREW, NO.10-32 X1 TRUSS HEAD MACHINE, SS
5	017613-000	1	P-CLAMP
6	017614-000	2	PLASTIC WASHER, WHITE
7	017612-000	2	SCREW, NO.10-32 X1 TRUSS HEAD MACHINE, SS
8	017615-000	1	CIRCULATION PUMP
NI	025147-000	1	DRAIN PUMP
9	017616-000	1	RESERVOIR
10	017617-000	2	1/4 LARGE VINIL SPACER, WHITE
11	017619-000	2	SCREW, NO.10-32 X 1.25 TRUSS HEAD MACHINE, SS
12	017618-000	1	P-CLAMP, WHITE
13	017620-000	1	SLEEVE W/THERMISTOR
14	017621-000	1	NUT, NO.10-24, LOCK
15	017622-000	1	BIN SENSOR BAR
16	017623-000	1	SCREW, NO.10-24, PHILIPS HEADS, SS
17	017612-000	4	SCREW, NO.10-32 X1 TRUSS HEAD MACHINE, SS
18	017624-000	1	DRAIN PLUG
19	017625-000	1	GRID-CUTTER ASSEMBLY
20	017626-000	1	DEFLECTOR
21	017612-000	4	SCREW, NO.10-32 X1 TRUSS HEAD MACHINE, SS
22	017627-000	20	NO.10-32 WELLNUT
23	017628-000	1	SCREW, NO.10-32 X 1/2 MACHINE, SS
24	017629-000	1	EVAPORATOR THERMISTOR
25	017630-000	1	RETAINER CLIP
26	017612-000	2	SCREW, NO.10-32 X1 TRUSS HEAD MACHINE, SS
27	PW300156	1	ICE SCOOP (VUIM150) 42242993
28	017614-000	2	PLASTIC WASHER, WHITE
29	017633-000	1	HOSE CLAMP
30	017634-000	1	DRAIN TUBE



Ref #	Part Number	Qty.	Description
1	017599-000	2	SCREW, NO.10-32 X 1/2 MACHINE, SS
2	017600-000	1	ESCUTCHEON
3	017601-000	1	TRIM PANEL
4	009643-000	2	SCREW
5	017602-000	1	PLUG, HOLE, BLACK
6	017605-000	1	GRILLE, BLACK
7	017604-000	1	SWITCH, BLACK
8	0176060-000	2	SCREW, No.12 X 3/4 FLT HD AB, BLACK
9	017608-000	1	NO.10 EXT. TOOTH LOWA
No.	010031-000	4	LEVELING LEG



Ref #	Part Number	Qty.	Description
1	010243-000	1	CONDENSER
2	017635-000	1	SOLENOID COIL
3	017636-000	1	HOT GAS VALVE
4	017637-000	1	DRIER ASSEMBLY
5	PW200020	1	NUT, TINNERMAN
6	017638-000	1	FAN SHROUD (42248032)
7	010248-000	1	FAN BLADE
8	009831-000	1	SILENCER (INCLUDED W/FAN)
9	010034-000	5	KEP NUT (42247454)
10	017640-000	1	FAN MOTOR ASSEMBLY
11	017641-000	2	BOLT, 1/4 - 20X1 - 1/4 CARRIAGE
12	017642-000	2	SLEEVE
13	017643-000	4	GROMMET
14	010072-000	1	CORD CLAMP
15	017644-000	1	NO.10-24 HEX KEPSNUT
16	017645-000	1	GROUND WIRE
17	017646-000	1	WASHER, NO.8 EXTERNAL TOOTH LOCK
18	017647-000	1	SCREW, NO.8/.38 HEX HEAD TYPE AB, ZN
19	PW200018	2	.312 ID FLAT WASHER
20	017648-000	2	1/4 - 20 UNC 2B LOCKNUT, ZN
21	017649-000	1	COMPRESSOR ASSEMBLY
22	017650-000	1	PTC STARTER
23	017651-000	1	RAISED BACK PANEL
24	017653-000	1	WATER VALVE ASSEMBLY
25	017653-000	1	WATER VALVE ASSEMBLY
26	017654-000	1	DRAIN VALVE
27	017655-000	1	FITTING/FLOW RESTRICTOR ASSEMBLY
28	017656-000	2	HOSE CLAMP
29	017657-000	1	POWER CORD
30	017660-000	1	BRACKET, SATURN CONTROL
31	017661-000	24	SCREW, NO.10X.5 HEX HEAD HURRICANE, ZN
32	017662-000	1	ELECTRONIC CONTROL, SATURN
33	017663-000	1	TRANSFORMER, 120V TO 12V
34	017664-000	6	SCREW, NO.8-32 X 3/8 PHILIPS PAN TAPTITE, ZN
35	017665-000	1	TERMINAL BLOCK
36	017666-000	1	U-CLIP
37	017667-000	1	ACCESS PANEL ASSEMBLY
38	017668-000	1	COMPRESSOR OVERLOAD
39	017669-000	2	SCREW, NO.10 X .5 HEX HEAD HURRICANE, ZN
40	017670-000	1	PRECOOLER
41	017671-000	8	BOLT, NO.10-24 X 1/2 CARRIAGE
No.	017672-000	1	POWER WIRE HARNESS



Ref #	Part Number	Qty.	Description
1	009866-000	1	DESIGNER HANDLE ASSEMBLY
2	009643-000	2	SCREW
3	009644-000	2	SET SCREW
4	010080-000	2	STAND-OFF STUD - DESIGNER
5	010212-000	4	SCREW, 1/4-20 SS
6	009761-000	2	WASHER, NYLON
7	009755-000	2	HINGE BUSHING
8	009757-000	1	HINGE ADAPTER, BOTTOM, SS
9	009760-000	1	HINGE ADAPTER, TOP, SS
10	010695-000	1	STANDARD HINGE, RIGHT TOP, CHROME
11	017585-000	1	HINGE, CHROME, LH
12	010730-000	1	GASKET
13	017587-000	6	10-32 X 3/4 PH CSK ZN
14	017588-000	1	HINGE, PIN, TOP
15	017589-000	1	HINGE, PIN BOTTOM
16	017592-000	1	DOOR ASSEMBLY, RH
16	017593-000	1	DOOR ASSEMBLY, LH