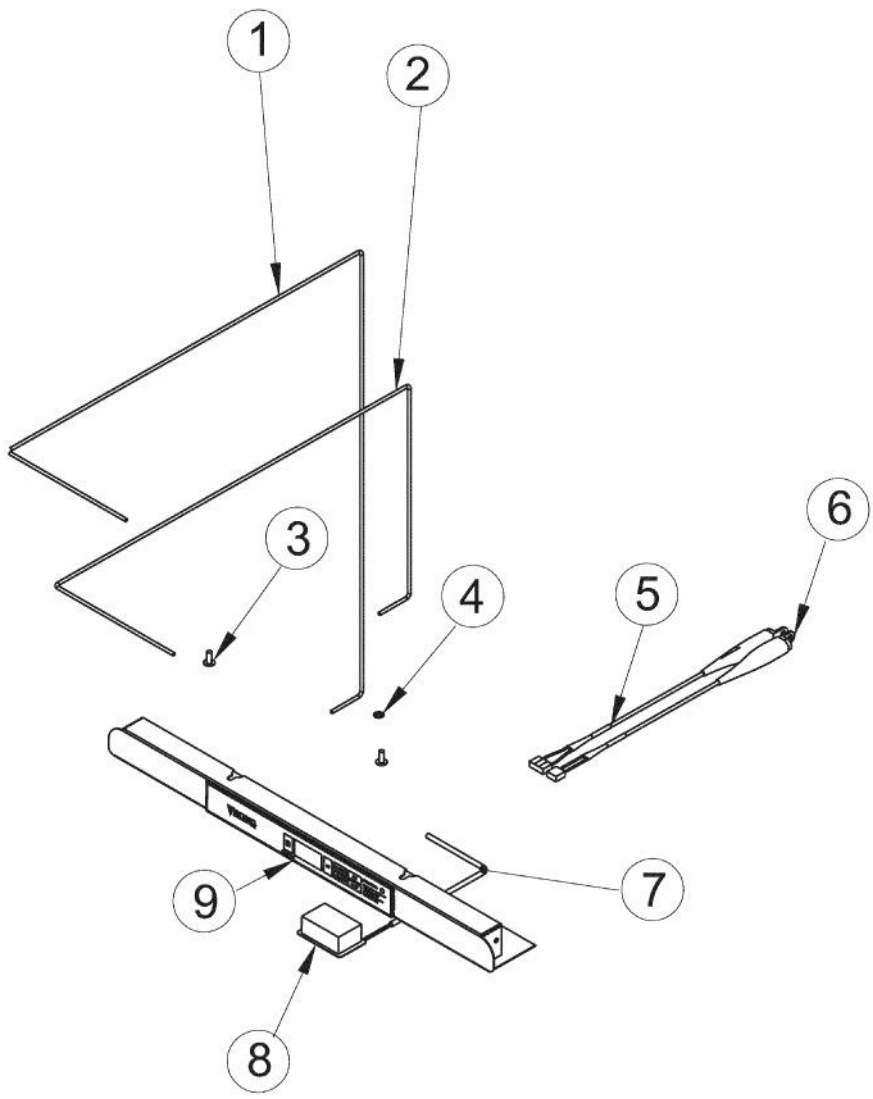
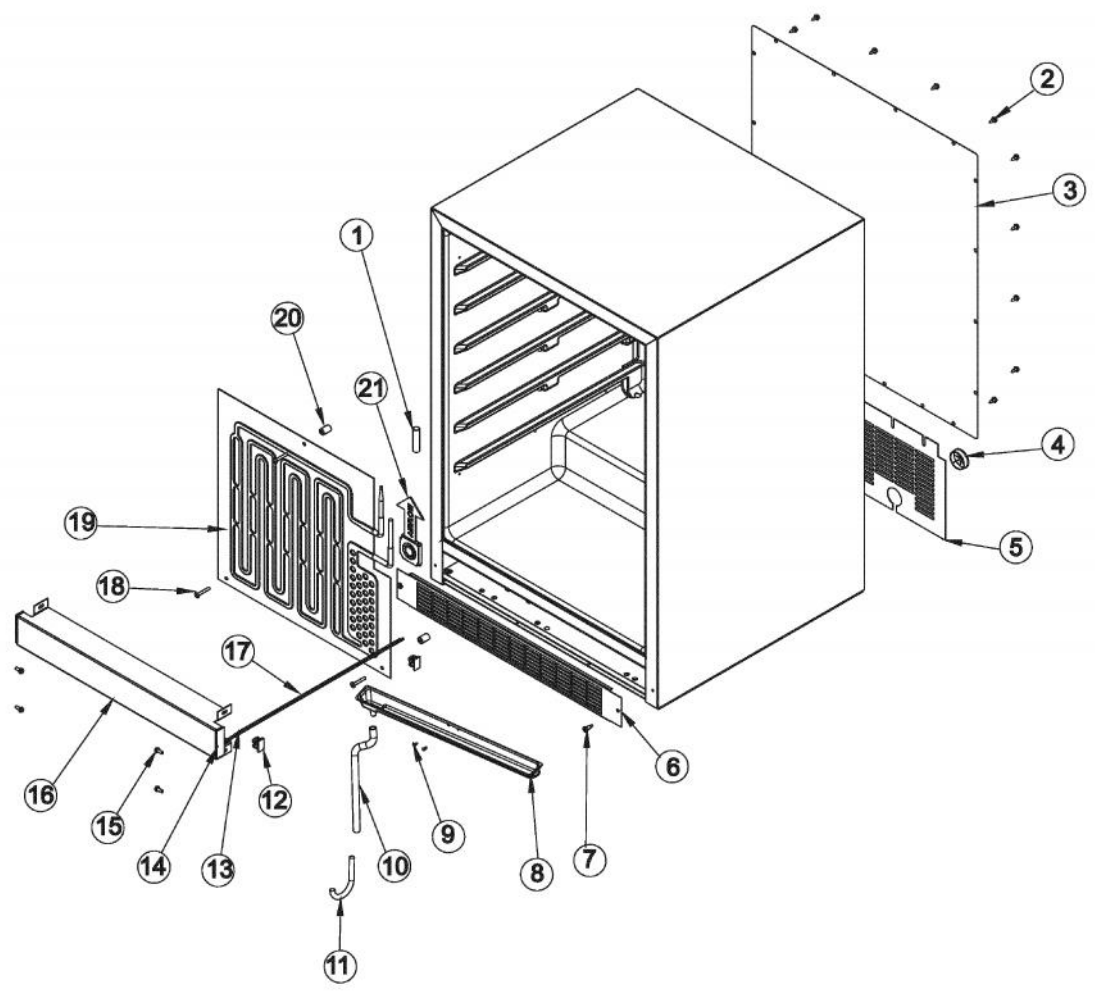


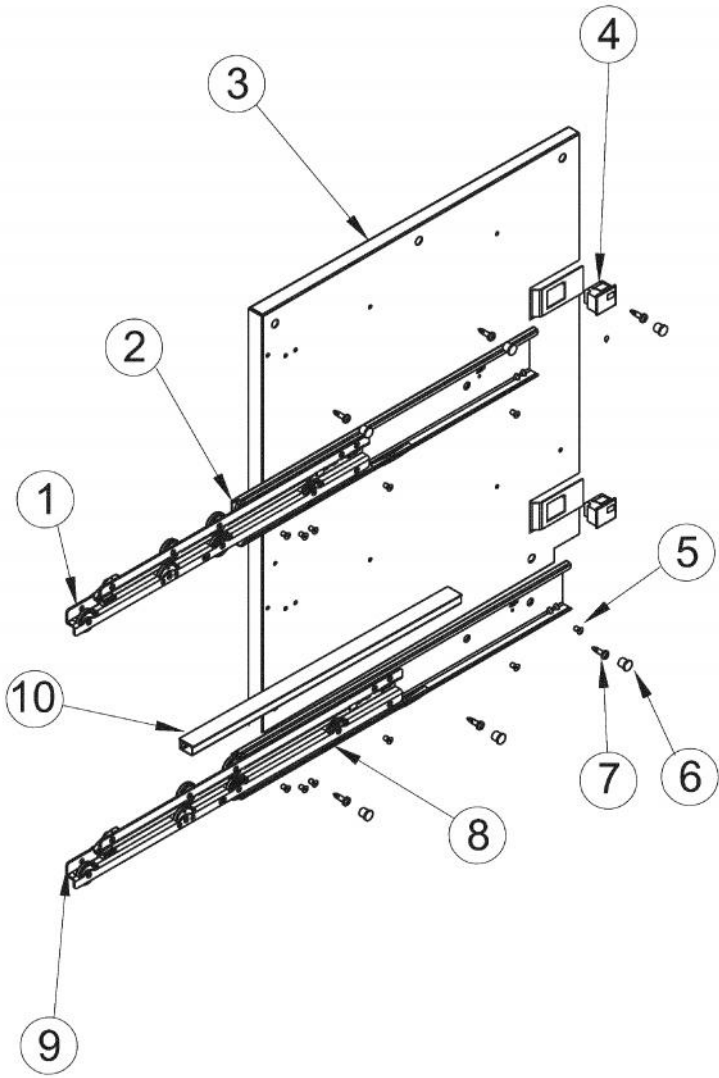
Ref #	Part Number	Qty.	Description
1	010081-000	2	DES DOOR HANDLE - SS
2	009643-000	4	SCREW
3	010080-000	2	STAND-OFF STUD - DESIGNER
4	010082-000	1	TOP DRAWER FRONT - SS
5	PS100095	2	DOOR GASKER - BK
6	009636-000	18	WASHER - SS
7	009635-000	18	SCREW - SS
8	PS100100	1	TOP DRAWER - SS
9	PS100101	1	BOTTOM DRAWER - SS
10	010083-000	1	BTM DRAWER FRONT - SS
11	009644-000	4	SET SCREW
NI	009866-000	1	DESIGNER HANDLE ASSEMBLY (INCLUDES ITEMS 1, 2, & 11)
NI	009865-000	1	DESIGNER STANDOFF ASSEMBLY (INCLUDES ITEMS 2, 3, & 11)



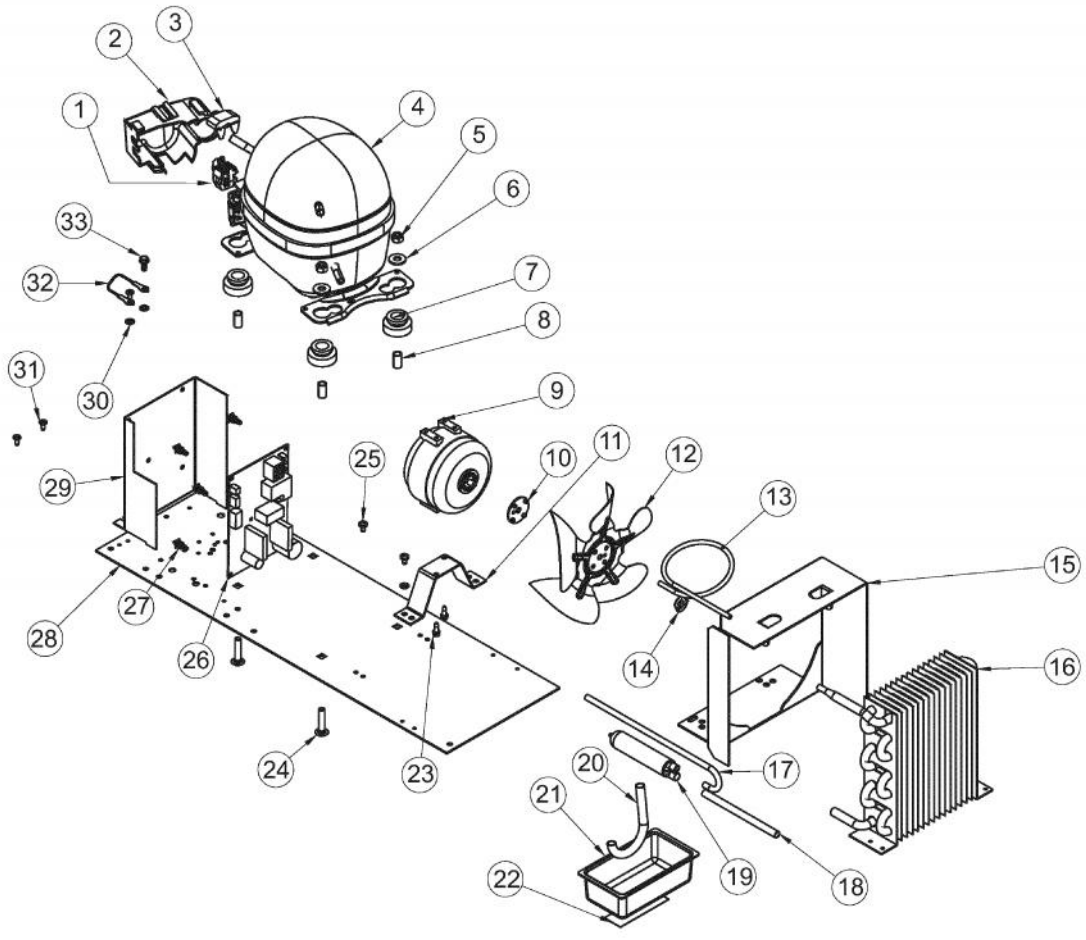
Ref #	Part Number	Qty.	Description
1	009840-000	1	LONG SWITCH HARNESS
2	009855-000	1	SHORT SWITCH HARNESS
3	009853-000	2	SCREW - SS
4	009486-000	2	NO.10 EXTERNAL TOOTH STAR WASHER, SS
5	009484-000	1	DISPLAY TEMPERATURE THERMISTOR
6	009483-000	1	EVAPORATOR TEMPERATURE THERMISTOR
7	PS100108	1	LED LIGHT HARNESS
8	PS100110	1	LED LIGHTS
9	009611-000	1	DISPLAY ASSEMBLY



Ref #	Part Number	Qty.	Description
1	009754-000	2	CAP - WH
2	009924-000	17	WASHER HD SCREW - ZN
3	009926-000	1	BACK PANEL SERV ASM
4	009487-000	1	BUSHING
5	010073-000	1	BACK SHROUD - GS
6	PS100115	1	LOUVERED GRILLE SERV ASM - BK
7	009489-000	2	NO.12 X 3/4 TYPE AB PHILLIPS SCREW, BLACK
8	PS100114	1	DRIP TRAY SERV ASM - WH
9	PW200019	2	POP RIVET
10	PW240035	1	DRAIN TUBE 41005383
11	PS100077	1	J TRAP 142 WC
12	007640-000	8	PLASTIC WIRE CLIP
13	009751-000	1	CROSS PIECE HEATER
14	009752-000	2	CROSS PIECE SEAL - BK
15	010074-000	4	SCREW - BK
16	010075-000	1	CROSS PIECE ASM - BK
17	009750-000	1	CROSS PIECE LIGHT HARNESS
18	009753-000	3	TRUSS HEAD MACHINE SCREW - SS
19	PS100122	1	EVAPORATOR ASSEMBLY
20	PW200014	3	3/4 WHITE SPACER (41002929)
21	009747-000	1	EVAPORATOR FAN
NI	PW220009	1	DRAIN TUBE J-TRAP (42242901)
NI	009482-000	1	COMMUNICATION CABLE
NI	010031-000	4	LEVELING LEG



Ref #	Part Number	Qty.	Description
1	PS100102	1	SSAC THERMOSTAT REF. DRAWER (42245144)
2	010090-000	1	TOP DRAWER GUIDE SERV ASM - LH/RH
3	009634-000	1	LH LINER SHIELD - WH
4	PS100107	2	LIGHT SWITCH - WH
5	009897-000	12	POP RIVET
6	009846-000	12	HOLE PLUG - WH
7	009848-000	12	WALL CORNER PAD
8	010089-000	1	BTM DRAWER GUIDE SERV ASM - LH/RH
9	PS100104	1	BOTTOM SLIDE - LEFT REF. DRAWER
10	009894-000	2	WIRE CONDUIT
NI	009637-000	1	RH LINER SHIELD - WH
NI	PS100103	1	TOP SLIDE - RIGHT REF. DRAWER
NI	010092-000	1	BTM SLIDE - RIGHT REF. DRAWER



Ref #	Part Number	Qty.	Description
1	010076-000	1	PTC RELAY SERV ASM
2	010077-000	1	COVER SERV ASM
3	PS100136	1	OVERLOAD REF. DRAWER (42245580)
4	PS100128	1	COMPRESSOR ASSEMBLY REF. DRAWER (42245984)
5	PW200017	3	LOCK NUT .25-.20 UNC
6	SEE ITEM 4		COMPRESSOR WASHER
7	SEE ITEM 4		COMPRESSOR GROMMET
8	SEE ITEM 4		COMPRESSOR SLEEVE
9	PW240005	1	FAN/MTR ASSY COMPLETE VUWC
10	SEE ITEM 9		FAN SILENCER
11	SEE ITEM 9		FAN MOTOR BRACKET
12	PW200037	1	FAN BLADE
13	009811-000	1	TUBING
14	PW200020	1	FAN MOTOR SPEED NUT
15	PW210013	1	FAN SHROUD (VUWC140) 42241349
16	PW240004	1	CONDENSER, R-134A
17	009808-000	1	COPPER TUBE (42247551)
18	009810-000	1	DRYER TUBE
19	009807-000	1	DRYER SERV. ASM (4224394)
20	PS100077	1	J TRAP 142 WC
21	010078-000	1	DRIP PAN
22	010079-000	1	TAPE - WH
23	009509-000	2	NO.8-36 SCREW
24	007633-000	4	CARRIAGE BOLT - 8205114
25	PW200021	4	SCREW
26	009511-000	1	ELECTRONIC CONTROL BOARD
27	009513-000	5	STANDOFF
28	PW210011	1	BASEPLATE (VUWC140)
29	009514-000	1	CONTROL BOARD MOUNTING BRACKET
30	007641-000	1	NO.10 EXTERNAL TOOTH LOCKWASHER
31	PW200029	3	SCREW
32	PW300137	1	GROUND WIRE (VUIM150)
33	009515-000	1	NO.10-32 X 1/2 HEX WASHER HEAD SCREW