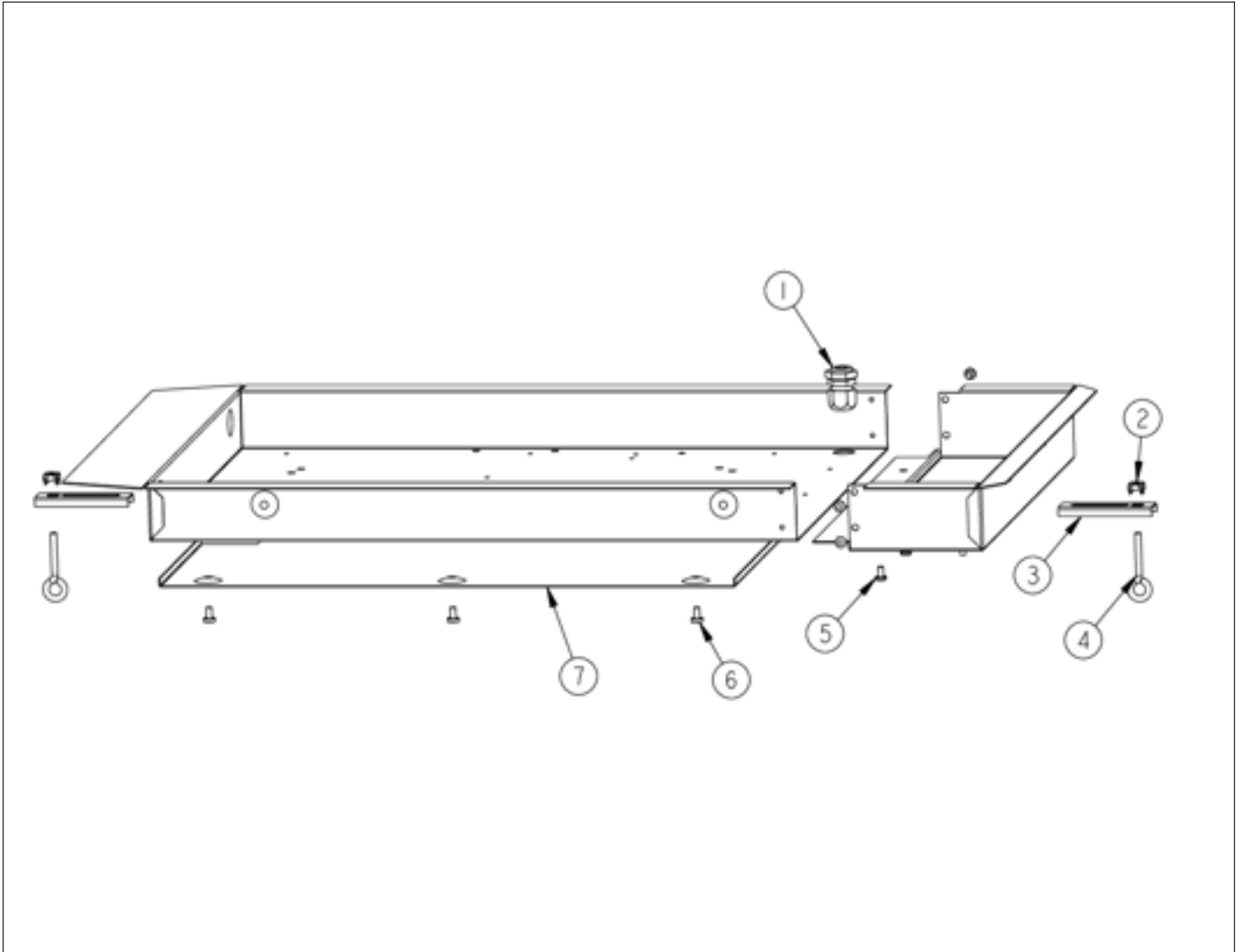


DVGSU101

BURNER BOX EXTERIOR	1
BURNER BOX INTERIOR	2
CONTROL AREA	3
G4003055 LINE HARNESS	4
SINGLE WIRING	5
SURFACE COOKING AREA	6
Appendix A:Pages Index	A
Appendix B:Parts Index	B

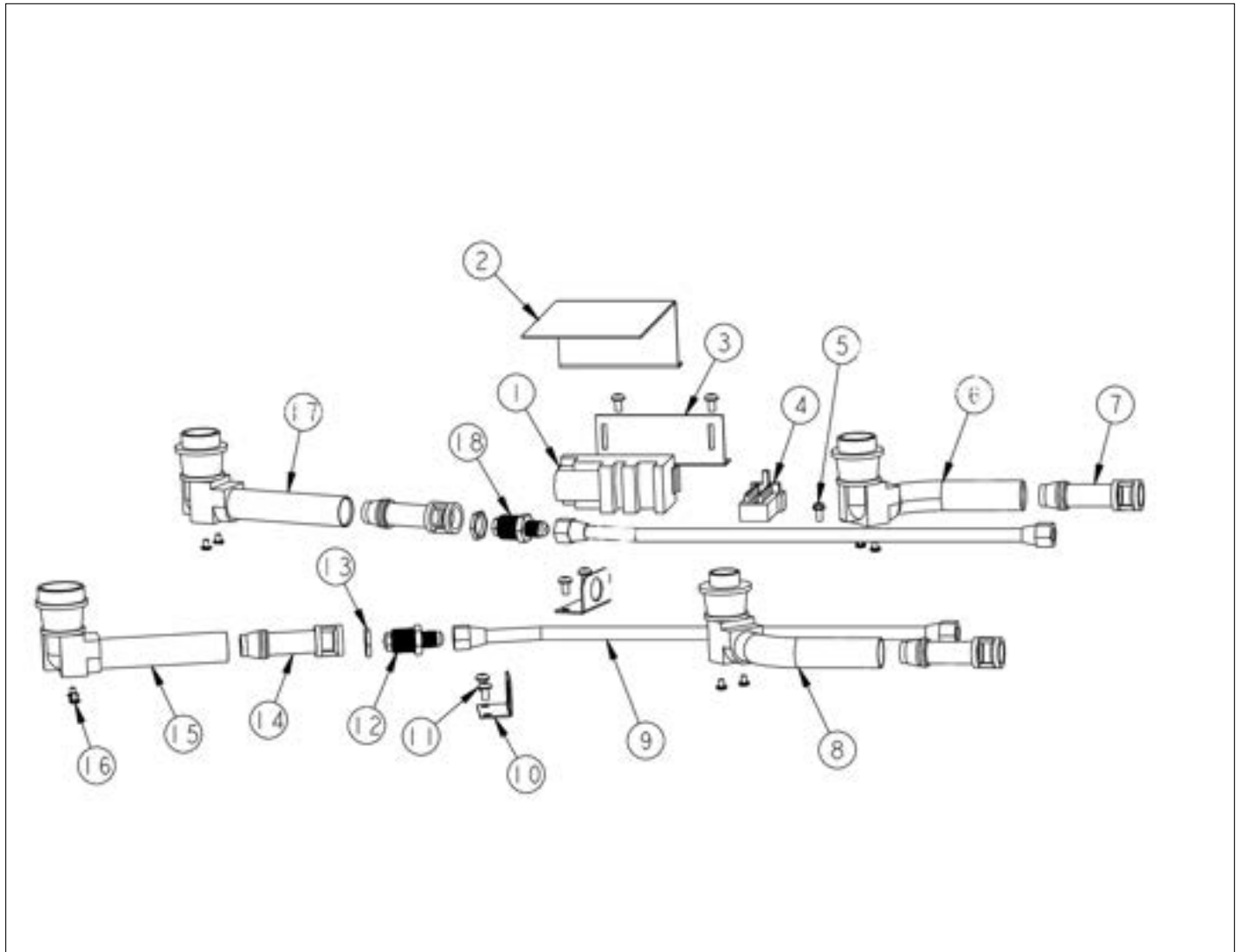
BURNER BOX EXTERIOR





Item	Part No.	Name	Qty	Uom	NOTES
1	PE070209	STRAIN RELIEF	1	EA	Not available online / Call for pricing and availability
2	PD030029	SELF RETAINING NUT (1/4-20)	1	EA	
3	A2003053	Retainer Bracket	1	EA	
4	PD010027	EYE BOLT-VGSU101/161	1	EA	
5	PD020004	10X3/8PH.HD.TYPE 25 REPL PD040125	1	EA	
6	PD010029	Bolt, M5 X 10 Pan. MS.	1	EA	
7	A2003051	HEAT SHIELD-VGSU101	1	EA	NO LONGER AVAILABLE, Not available online / Call for pricing and availability

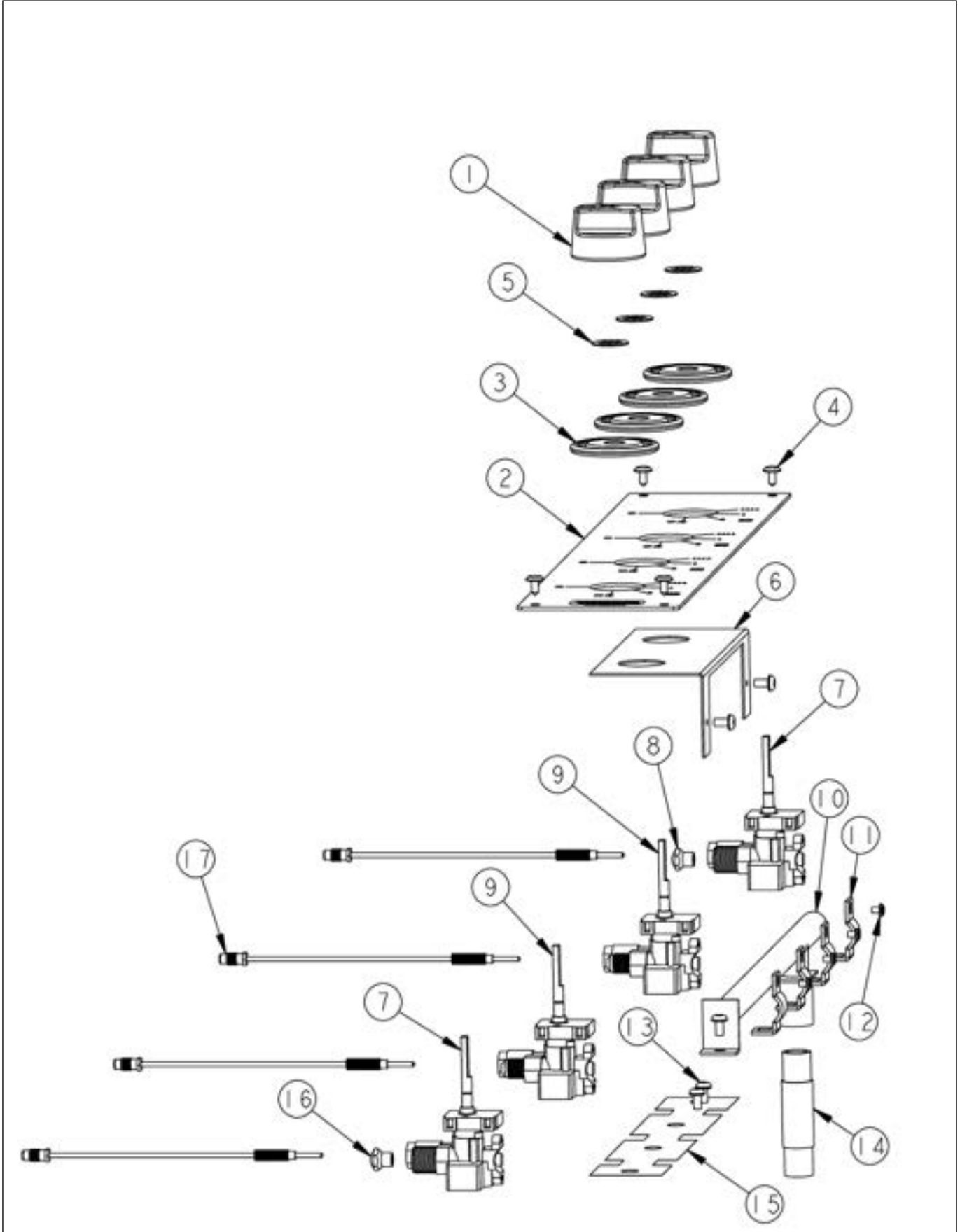
BURNER BOX INTERIOR





Item	Part No.	Name	Qty	Uom	NOTES
1	PA020031	SPARK MODULE - 6 PLACE NON RE-IGN.	1	EA	
2	A2003054	SPARK MODULE COVER (VGSU101)	1	EA	
3	A2005791	DVGSU MODULE BRACKET	1	EA	NO LONGER AVAILABLE, Not available online / Call for pricing and availability
4	PE070235	TERMINAL BLOCK KTN-100	1	EA	
5	PD020010	10 X 3/8 GREEN GROUNDING SCREW	1	EA	
6	PB050030	BURNER VENTURI(90DEG) 01- 036-298-02	1	EA	
7	PB050040	Air Mixer	1	EA	
8	PB050031	BURNER VENTURI(90DEG) 01- 036-297-02	1	EA	NO LONGER AVAILABLE
9	PB020072	TUBING (VGSU101) P#01-036- 349	1	EA	NO LONGER AVAILABLE, Not available online / Call for pricing and availability
10	A2003052	Burner Gas Line Support Bracket	1	EA	
11	PD020004	10X3/8PH.HD.TYPE 25 REPL PD040125	1	EA	
12	PB040119	Orifice Adapter	1	EA	
13	PD030041	ORIFICE LOCK NUT (VGSU) #18-00001	1	EA	NO LONGER AVAILABLE
14	PB050041	AIR MIXER (VGSU) P#01-037- 001	1	EA	NO LONGER AVAILABLE, Not available online / Call for pricing and availability
15	PB050028	Burner Venturi, Left Front	1	EA	NO LONGER AVAILABLE
16	PD010028	BOLT M 4X5	1	EA	
17	PB050029	Burner Venturi, Front / Rear Center - Left Rear	1	EA	NO LONGER AVAILABLE
18	PB040120	ORIFICE ADAP.(VGSU) #GD- 1150001-COU	1	EA	NO LONGER AVAILABLE

CONTROL AREA



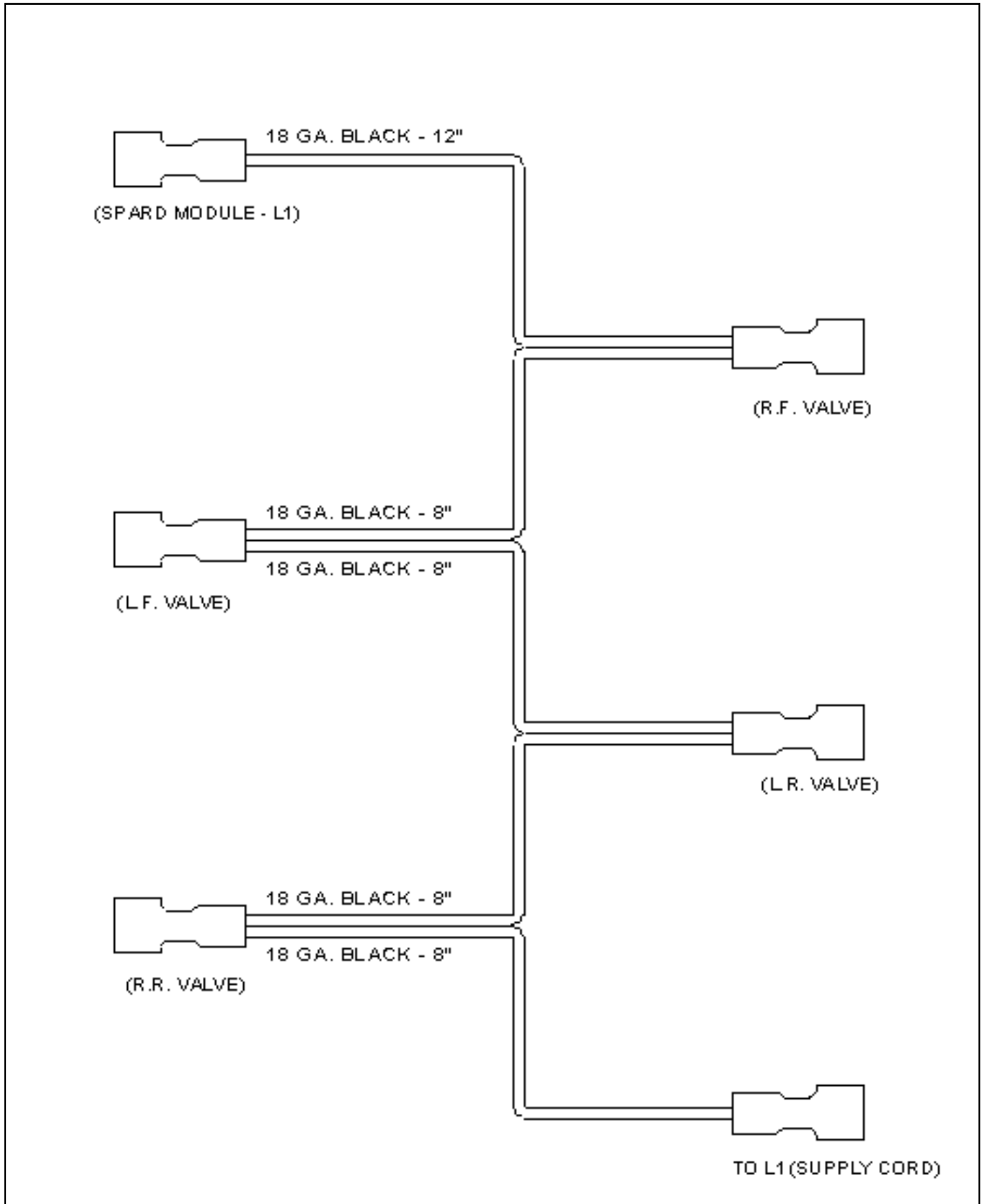


Item	Part No.	Name	Qty	Uom	NOTES
1	PB010154	Top Burner Knob - BK	1	EA	
Not Shown	PB010155	Top Burner Knob - WH	1	EA	
2	PE040125	DVGSU 30" CONTROL PANEL (BLACK)	1	EA	NO LONGER AVAILABLE, Not available online / Call for pricing and availability
Not Shown	PE040126	DVGSU 30" CONTROL PANEL (WHITE)	1	EA	NO LONGER AVAILABLE, Not available online / Call for pricing and availability
3	PB010152	Bezel - SS	1	EA	
Not Shown	PB010153	Bezel - BR	1	EA	
4	PD020032	SRW-8(A)X3/8"PH.WFR HD 7/16DIA*NICL	1	EA	
5	PD030042	SELF RETAINING CLIP (KNOB)#03-30135	1	EA	
6	A2005792	DVGSU CONTROL BRACKET	1	EA	NO LONGER AVAILABLE, Not available online / Call for pricing and availability
7	PA010098	GAS VALVE (DVGSU)	1	EA	NO LONGER AVAILABLE
8	PB040210	BURNER JET NG (DVGSU)	1	EA	NO LONGER AVAILABLE
Not Shown	PB040212	BURNER JET, LP (DVGSU)	1	EA	NO LONGER AVAILABLE, Not available online / Call for pricing and availability
9	PA010099	GAS VALVE (DVGSU)	1	EA	NO LONGER AVAILABLE
10	PA050051	MANIFOLD (VGSU101)- 01-036-329	1	EA	
11	PB070059	Valve Clamp	1	EA	
12	PD010028	BOLT M 4X5	1	EA	
13	PD020004	10X3/8PH.HD.TYPE 25 REPL PD040125	1	EA	
14	PA050033	PIPE NIPPLE - 1/2" X 3"	1	EA	



Item	Part No.	Name	Qty	Uom	NOTES
15	PB070364	INSULATOR, GAS VALVES (VGSU103)	1	EA	NO LONGER AVAILABLE, Not available online / Call for pricing and availability
16	PB040209	BURNER JET, NG (DVGSU)	1	EA	NO LONGER AVAILABLE
Not Shown	PB040211	BURNER JET, LP (DVGSU)	1	EA	NO LONGER AVAILABLE, Not available online / Call for pricing and availability
17	PB010211	THERMOCOUPLE 750	1	EA	Not available online / Call for pricing and availability

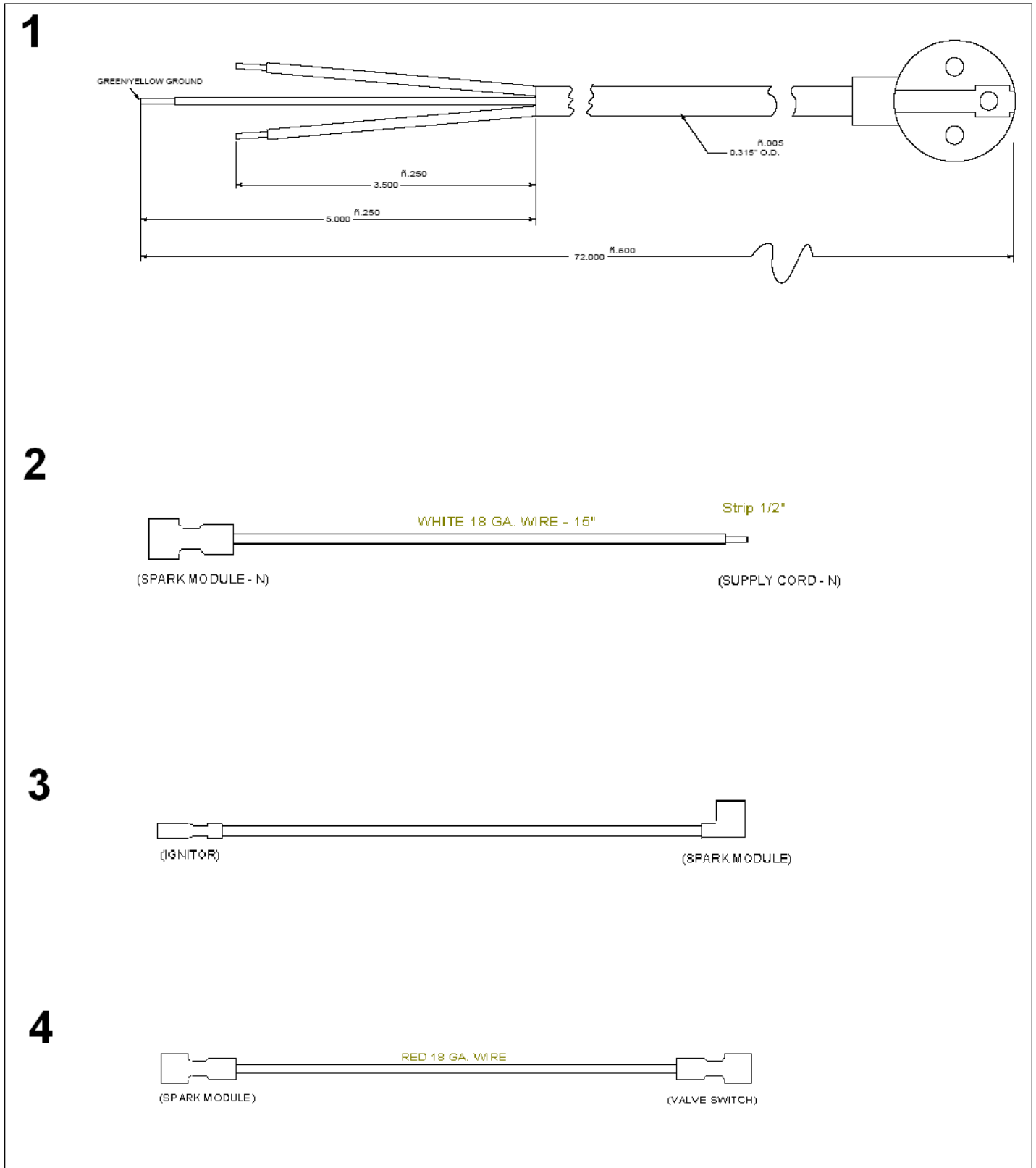
G4003055 LINE HARNESS





Item	Part No.	Name	Qty	Uom	NOTES
1	G4003055	LINE HARNESS - (VGSU101/161)	1	EA	

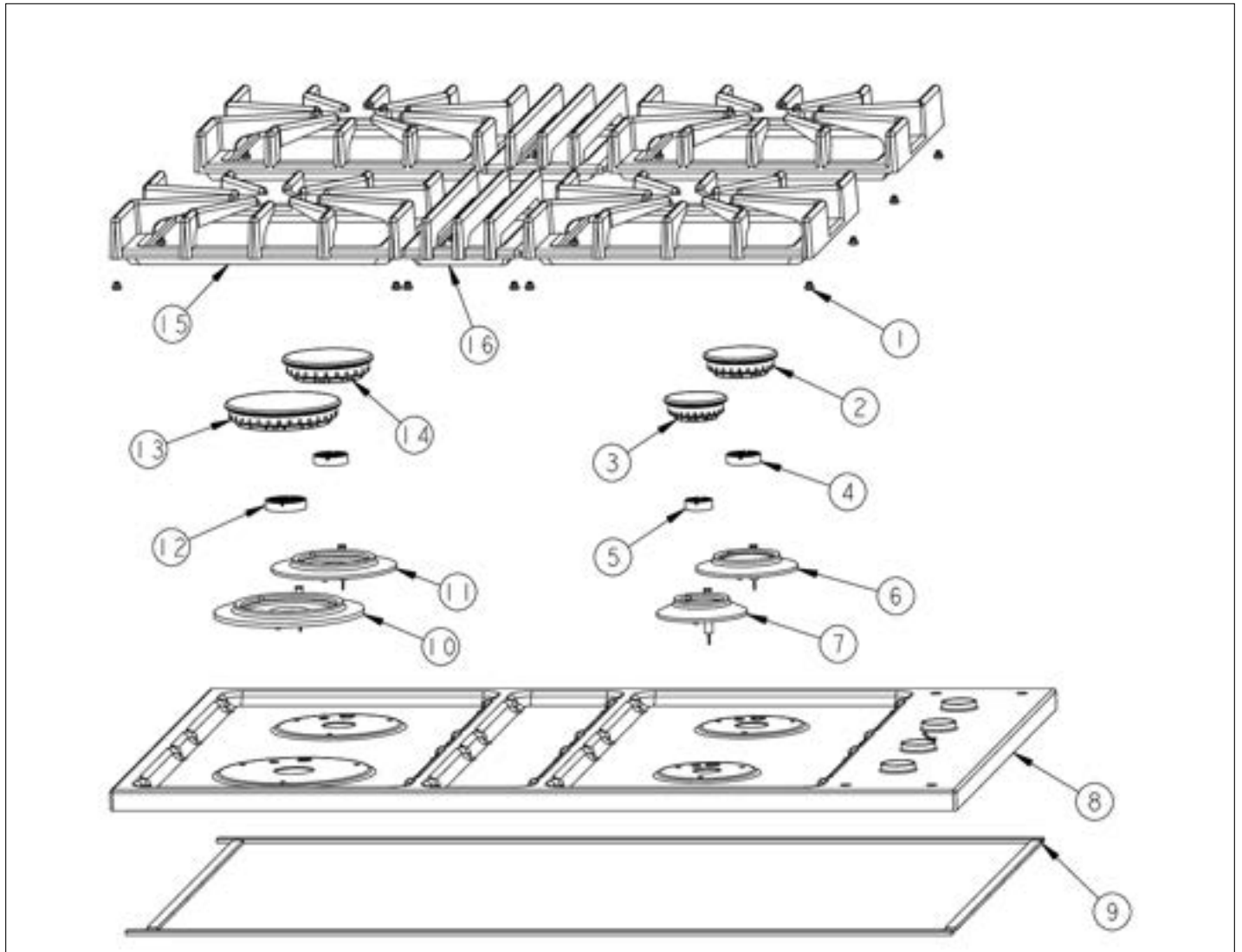
SINGLE WIRING





Item	Part No.	Name	Qty	Uom	NOTES
1	PE070207	SUPPLY CORD (EUROPEAN)	1	EA	NO LONGER AVAILABLE, Not available online / Call for pricing and availability
2	G4005788	DVGSU101 SPARK MOD./NEUTRAL WIRE	1	EA	NO LONGER AVAILABLE, Not available online / Call for pricing and availability
3	G4005783	DVGSU U.L. IGNITOR WIRES	1	EA	NO LONGER AVAILABLE, Not available online / Call for pricing and availability
Not Shown	G4005784	DVGSU U.L. IGNITOR WIRES	1	EA	NO LONGER AVAILABLE, Not available online / Call for pricing and availability
Not Shown	G4005782	DVGSU U.L. IGNITOR WIRES	1	EA	NO LONGER AVAILABLE, Not available online / Call for pricing and availability
4	G4003060	VALVE WORE - 14" (VGSU101/161)	1	EA	
Not Shown	G4003061	VALVE WIRE - 18" (VGSU101/161)	1	EA	Not available online / Call for pricing and availability
Not Shown	G4003062	VALVE WORE - 21" (VGSU101/161)	1	EA	NO LONGER AVAILABLE, Not available online / Call for pricing and availability
Not Shown	G4003072	VALVE WIRE - 25" (VGSU101/161)	1	EA	

SURFACE COOKING AREA





Item	Part No.	Name	Qty	Uom	NOTES
1	PD040035	GROMMET-SPIDER GRATE (VGSU)	1	EA	
2	PA080090	Burner - 9,000 BTU (Right Rear) - BK	1	EA	
Not Shown	PA080094	Burner - 9,000 BTU (Right Rear) - GR	1	EA	NO LONGER AVAILABLE
3	PA080091	Burner - 6,000 BTU (Right Front) - BK	1	EA	
Not Shown	PA080095	Burner - 6,000 BTU (Right Front) - GR	1	EA	
4	PD030038	Retainer Ring (Right / Left Rear - Center Front / Rear)	1	EA	
5	PD030039	Retainer Ring (Right Front)	1	EA	
6	PB050034	Burner Base (Right Rear)	1	EA	
7	PB050035	Burner Base (Right Front)	1	EA	
8	B3005740	DVGSU101 TOP FRME ASSEMBLY	1	EA	NO LONGER AVAILABLE, Not available online / Call for pricing and availability
Not Shown	E9105740BK	DVGSU101 TOP FRAME ASSEMBLY *BK*	1	EA	NO LONGER AVAILABLE, Not available online / Call for pricing and availability
Not Shown	E9105740WH	DVGSU101 TOP FRAME ASSEMBLY *WH*	1	EA	NO LONGER AVAILABLE, Not available online / Call for pricing and availability
9	PB070058	Cooktop Gasket	1	EA	
10	PB050032	Burner Base (Left Front)	1	EA	
11	PB050033	Burner Base (Front & Rear Center / Rear Left)	1	EA	
12	PD030037	Retainer Ring (Left Front)	1	EA	
13	PA080088	Burner - 14,000 BTU (Left Front) - BK	1	EA	
Not Shown	PA080092	Burner Head - 14,000 BTU (Left Front) - GR	1	EA	
14	PA080089	Burner-12,000 BTU(Front/Rear Center, Rear Left)-BK	1	EA	
Not Shown	PA080093	Burner-12,000 BTU(Front/Rear Center, Rear Left)-GR	1	EA	
15	PA060032	Spider Grate - Black	1	EA	



Item	Part No.	Name	Qty	Uom	NOTES
Not Shown	PA060033	Spider Grate - Grey	1	EA	
16	PA060034	Center Grate - Black	1	EA	
Not Shown	PA060035	Center Grate - Grey	1	EA	



Appendix A:Pages Index

BURNER BOX EXTERIOR	1
BURNER BOX INTERIOR	2
CONTROL AREA	3
G4003055 LINE HARNESS	4
SINGLE WIRING	5
SURFACE COOKING AREA	6



Appendix B:Parts Index

A2003051	1	PB020072	2
A2003052	2	PB040119	2
A2003053	1	PB040120	2
A2003054	2	PB040209	3
A2005791	2	PB040210	3
A2005792	3	PB040211	3
B3005740	6	PB040212	3
E9105740BK	6	PB050028	2
E9105740WH	6	PB050029	2
G4003055	4	PB050030	2
G4003060	5	PB050031	2
G4003061	5	PB050032	6
G4003062	5	PB050033	6
G4003072	5	PB050034	6
G4005782	5	PB050035	6
G4005783	5	PB050040	2
G4005784	5	PB050041	2
G4005788	5	PB070058	6
PA010098	3	PB070059	3
PA010099	3	PB070364	3
PA020031	2	PD010027	1
PA050033	3	PD010028	2, 3
PA050051	3	PD010029	1
PA060032	6	PD020004	1, 2, 3
PA060033	6	PD020010	2
PA060034	6	PD020032	3
PA060035	6	PD030029	1
PA080088	6	PD030037	6
PA080089	6	PD030038	6
PA080090	6	PD030039	6
PA080091	6	PD030041	2
PA080092	6	PD030042	3
PA080093	6	PD040035	6
PA080094	6	PE040125	3
PA080095	6	PE040126	3
PB010152	3	PE070207	5
PB010153	3	PE070209	1
PB010154	3	PE070235	2
PB010155	3		
PB010211	3		