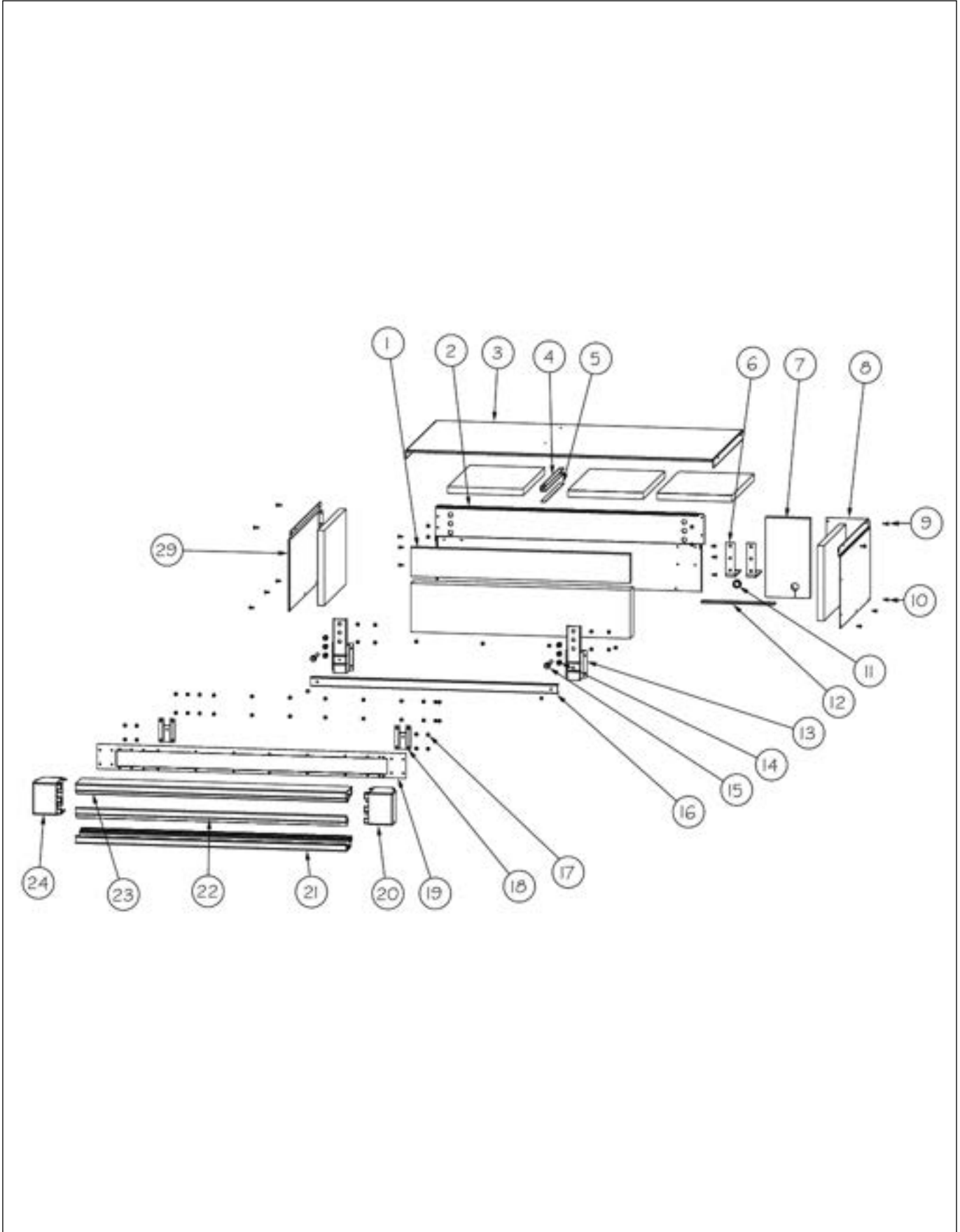


EVCBB536L

MC COVER AND UPPER GRILLE ASSEM	1
LOW SIDE ASSEMBLY	2
EXTERIOR ASSEMBLY	3
SEALED SYSTEM ASSEMBLY	4
CONTROL ASSEMBLY	5
REFRIG DOOR ASSEMBLY	6
FREEZER DOOR ASSEMBLY	7
LOWER UNIT ASSEMBLY	8
REFRIG INTERIOR ASSEMBLY	9
FREEZER INTERIOR ASSEMBLY	10
Appendix A:Pages Index	A
Appendix B:Parts Index	B

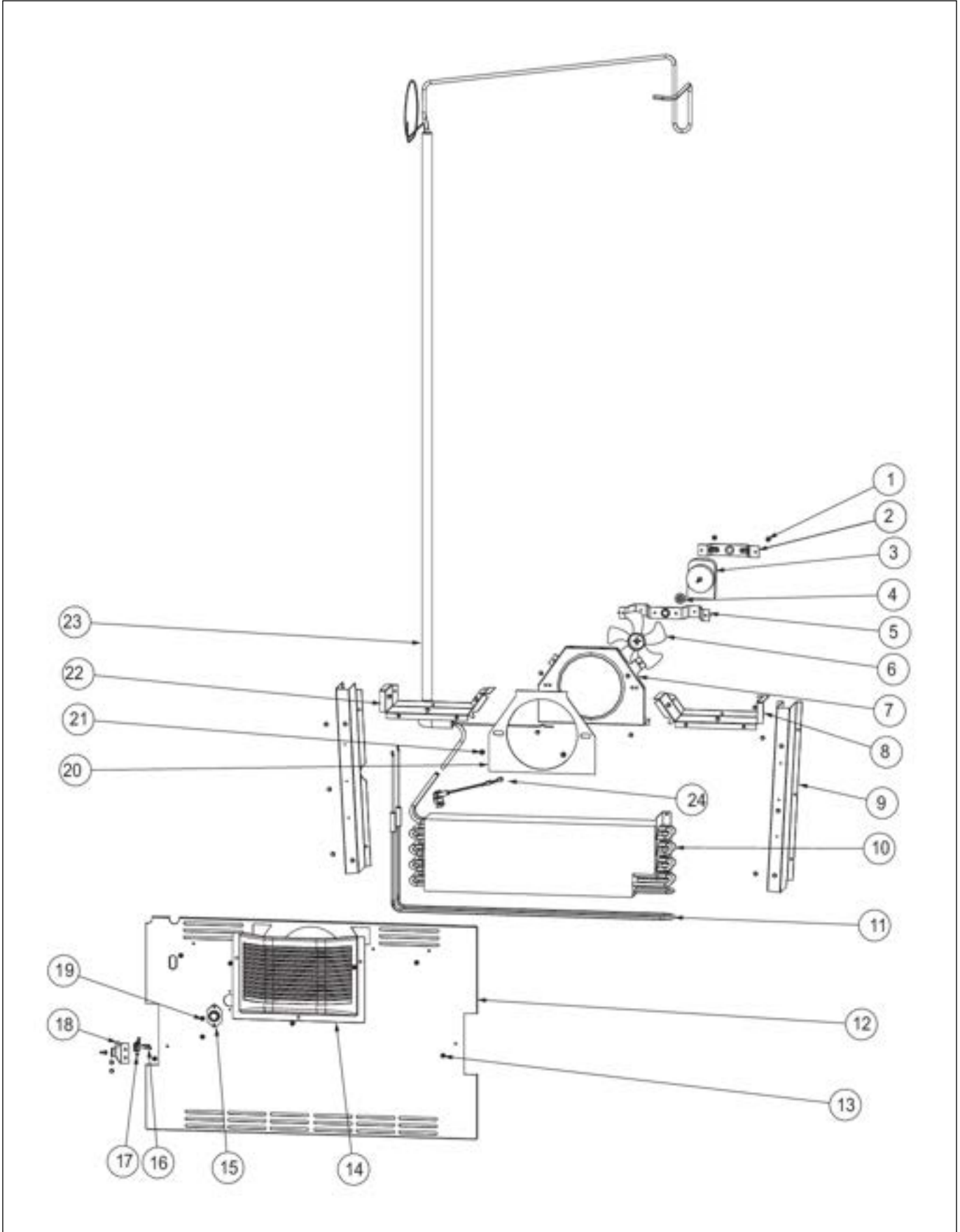
MC COVER AND UPPER GRILLE ASSEM





Item	Part No.	Name	Qty	Uom	NOTES
1	PB070358	INSULATION MC COVER	1	EA	
2	K2099933	MC BACK 36	1	EA	
3	K2099931	MC TOP 36	1	EA	
4	K2099455	SUPPORT MC Z	1	EA	
5	G5099929	MC COVER WELD	1	EA	Not available online / Call for pricing and availability
6	PK910089	BRACKET, ANTI - TIP	2	EA	
7	007341-000	INSL,MC,BACK SIDE	1	EA	
8	025432-000	MC SIDE R INTL	1	EA	
9	PD020194	SCR, HEX SRTD WSHR HD, #8-18 X 1/2	34	EA	
10	PC040010	POP RIVET (.063/GR -.125) GAMD42-A	28	EA	
11	A4554806	BUSHING-SNAP VA4554806	1	EA	
12	PF930523	GRILL BLADE LABEL (REFRIGERATOR)	2	EA	
13	K20915675	BRACKET PSM	2	EA	
14	PD040157	BEARING SLEEVE	4	EA	
15	PD020233	SCR LAG 5/16-9 GX 5/16X7/16 WAF IHXW 3 S ZN	2	EA	
16	K20915902	CROSSMEMBER PSM 36	1	EA	
17	M0253916	SCR 8-32 SHXW 3/8 TRI-LOBE	8	EA	
18	PK050004	BRACKET GRILLE 5 SERIES	2	EA	
19	003257-000	PLATE,BACK,GRILLE	1	EA	
20	003260-000	ENDCAP,PRO,RH	1	EA	
21	003268-000	EXTRUSION,LOUVER,BOTTOM - NLA	1	EA	
22	003201-000	EXTRUSION,LOUVER,MIDDLE	1	EA	
23	003200-000	EXTRUSION,LOUVER,TOP	1	EA	
24	003274-000	ENDCAP,PRO,LH,HINGE - NLA	1	EA	
29	K2099460	MC SIDE L	1	EA	
NI	003258-000	GRILLE,ASM,36,BTM,RH	1	EA	
NI	003265-000	GRILLE,ASM,36,BTM,LH	1	EA	
NI	025274-000	BUSHING,STRN, RLF, INTL	1	EA	
NI	K20915902	CROSSMEMBER PSM 36	1	EA	

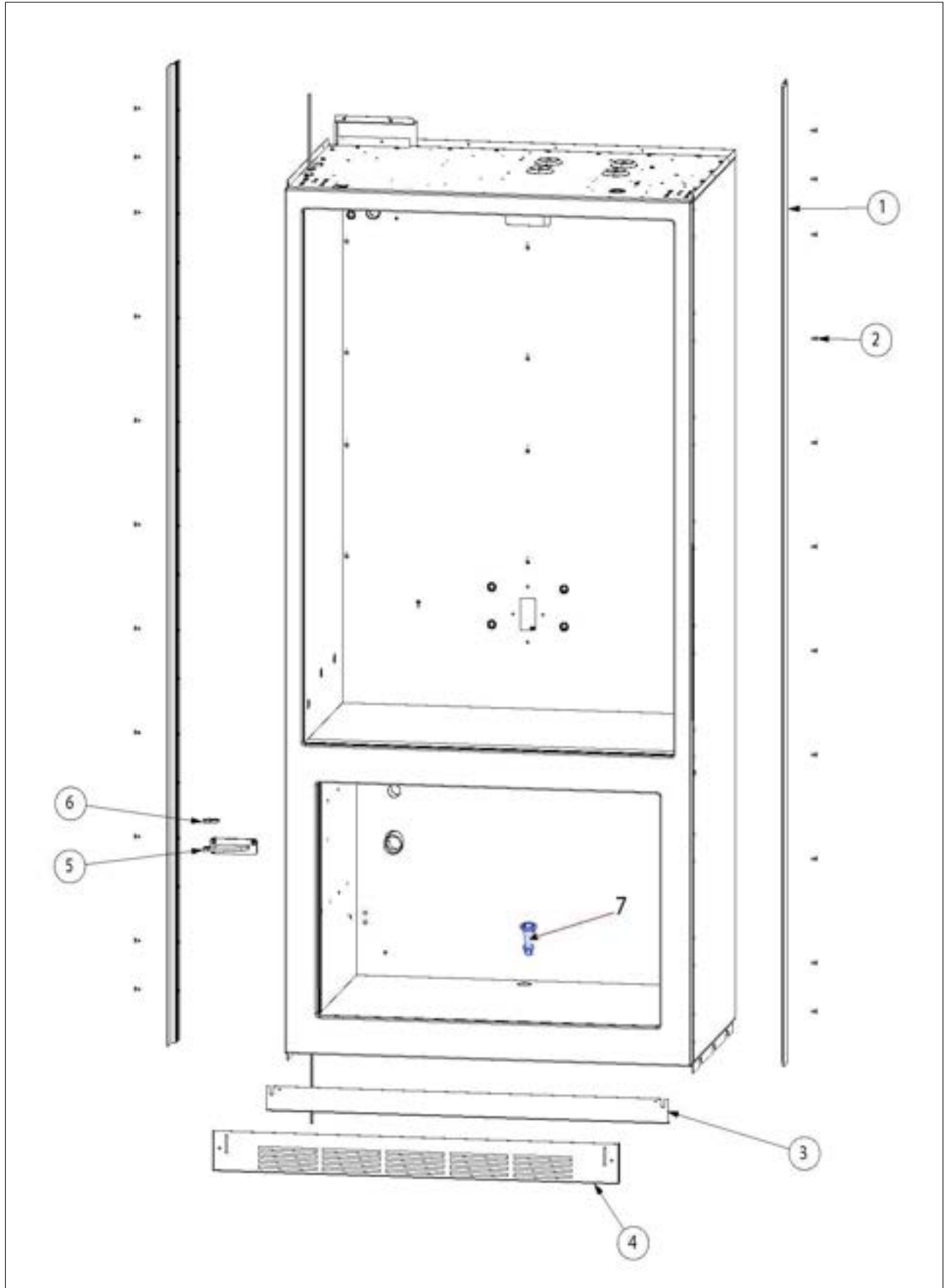
LOW SIDE ASSEMBLY





Item	Part No.	Name	Qty	Uom	NOTES
1	PD020193	SCR 8-18 X 3/8	22	EA	
2	L21910017	BRACKET FAN EVAP	1	EA	
3	PE950153	MOTOR EVAP FAN	1	EA	
4	A1017202	GROMMET-FAN VA1017202	1	EA	
5	10656101	BRKT-MTR UP STEEL V1065601Q	1	EA	
6	12059901	FAN-EVAP/5.250 V12059901	1	EA	
7	PM910168	SHROUD EVAP FAN BM	1	EA	
8	K2097169	BRKT DIVIDER R	1	EA	
9	K2097172	RETURN AIR CHANNEL	2	EA	
10	PM910178	BOTTOM MOUNT EVAP	1	EA	
11	PJ910030	BOTTOM MOUNT EVAP HEATER	1	EA	
12	000247-000	COVER, EVAP, BM	1	EA	
13	M0211018	SCREW-SM	7	EA	
14	12063301	FREEZER FAN COVER	1	EA	
15	C8983701	THERMISTOR	1	EA	
16	M0213105	SCREW-SM	2	EA	
17	003471-000	SWITCH SNAP-ACTION BM 36	1	EA	
18	K2098398	36 BM SWITCH MOUNTING BRKT	1	EA	
19	M0211014	SCREW-SM	2	EA	Not available online / Call for pricing and availability
20	12102401	GSKT-EVAP FAN SHRD V12102401	1	EA	
21	PD020038	SCREW-#10 X 3/8 HEX WH.HD.T(F)GREEN	2	EA	
22	K2097168	BRKT DIVIDER L	1	EA	
23	031006-000	HEAT EXCHANGER ASM BM 36	1	EA	
24	058966-000	THERMOSTAT, SNAP ACTION, 55 OPEN 20 CLOSE	1	EA	
NI	025276-000	TRANSFORMER, AUTO (230V 50HZ) INTL	1	EA	NO LONGER AVAILABLE
NI	PE970546	EMI FILTER	1	EA	
NI	PE970545	EMI FILTER HARNESS	1	EA	

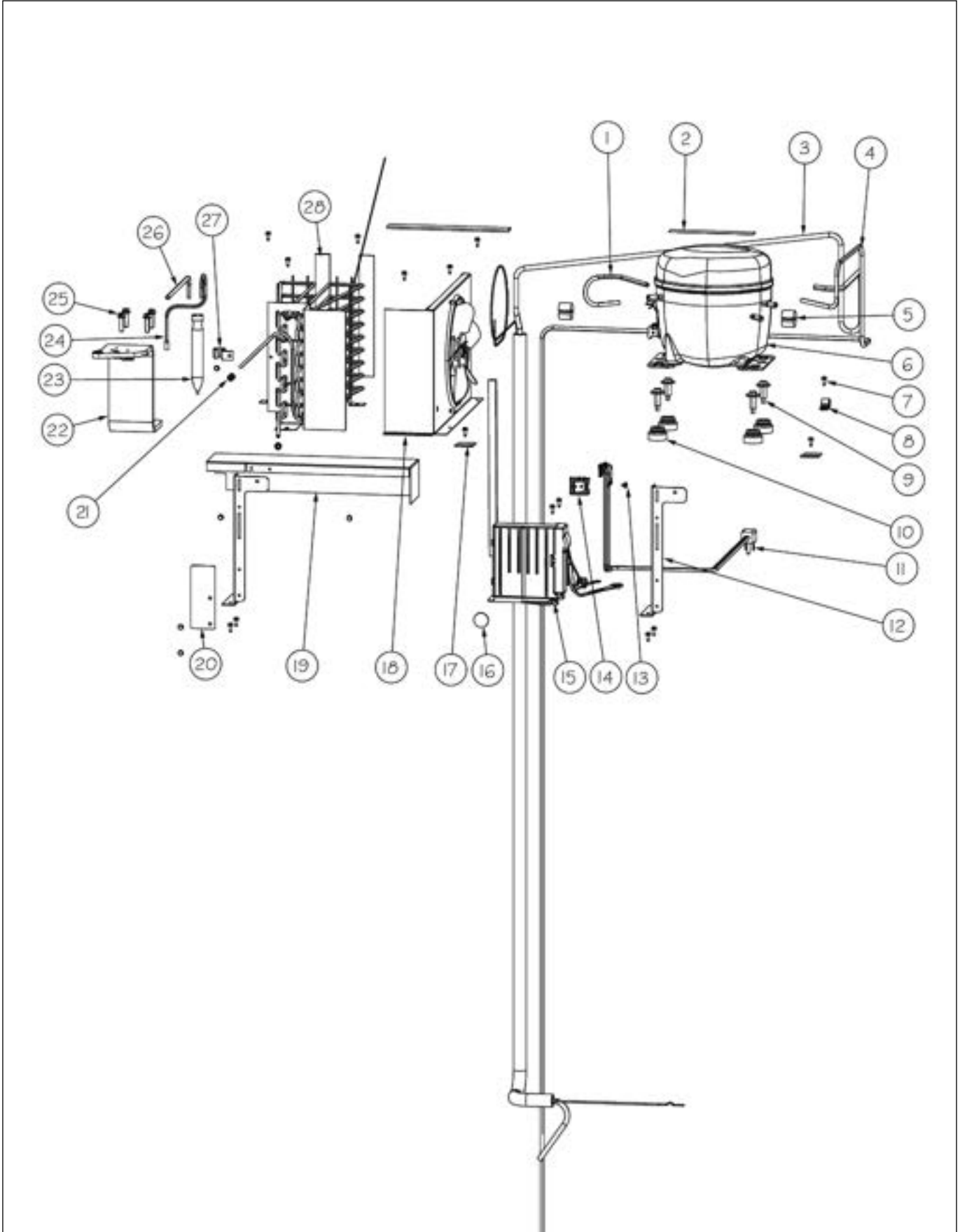
EXTERIOR ASSEMBLY





Item	Part No.	Name	Qty	Uom	NOTES
1	PK910123	SIDE TRIM - PRO	2	EA	
2	M0215318	SCREW-SM	22	EA	
3	000147-002	LOWER KICK PLATE	1	EA	
4	044439-000	GRILLE TOE ASM BM 36	1	EA	
5	PC020249	HINGE ASM, LOWER, BM, LH (PRO/DES)	1	EA	
5	PC020250	HINGE ASM, LOWER, BM, RH (PRO/DES)	1	EA	
NI	K10911852	SHIM-CENTER HINGE	2	EA	
6	PC020228	CAM DOOR CLOSURE BOTTOM BLACK	1	EA	
7	PK030540	DRAIN TUBE SXS's & 36BM	1	EA	

SEALED SYSTEM ASSEMBLY



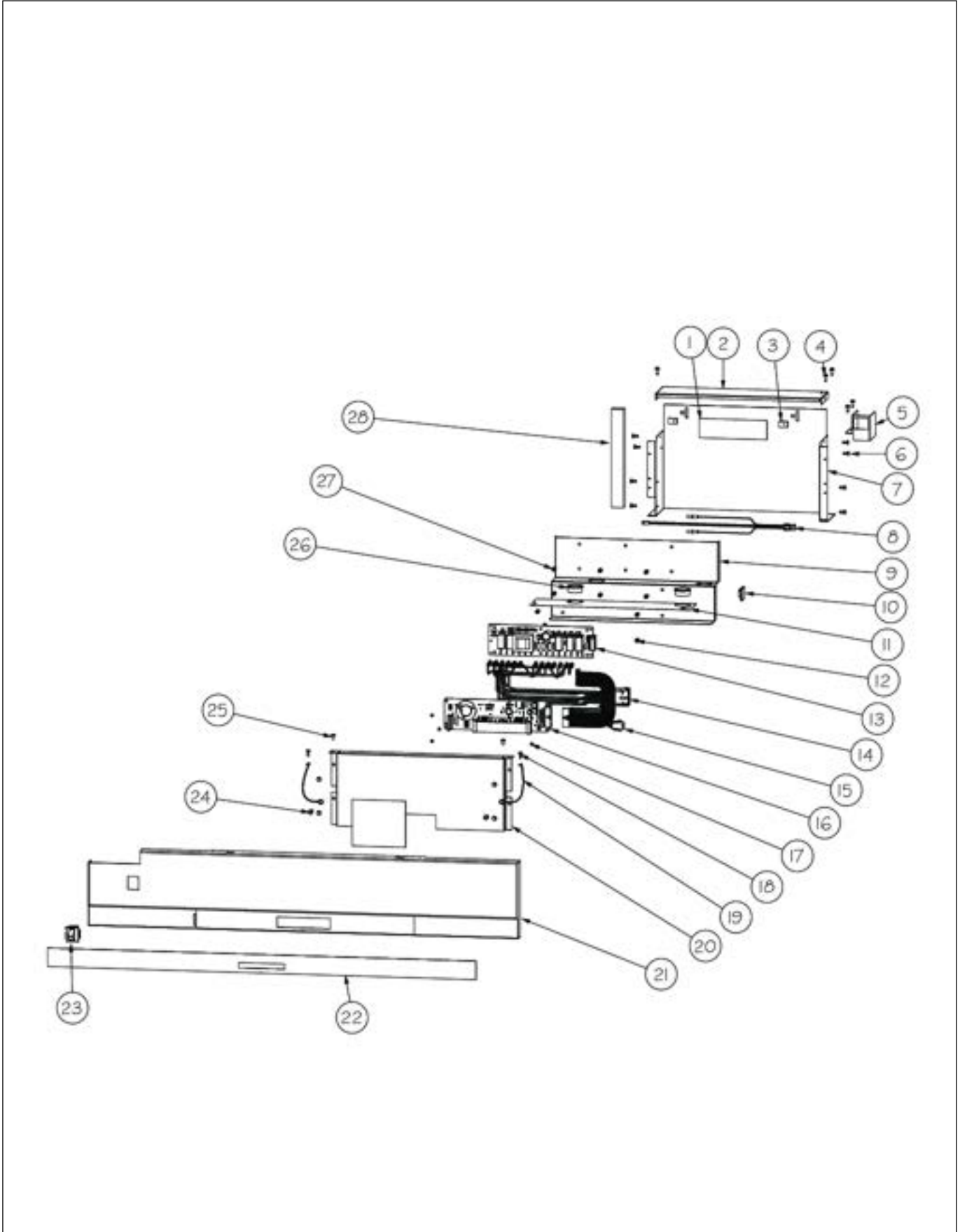


Item	Part No.	Name	Qty	Uom	NOTES
1	F2096507	TUBE-PROCESS GRN	1	EA	
2	C8982701	LABEL-COMP WARN	1	EA	
3	031006-000	HEAT EXCHANGER ASM BM 36	1	EA	
4	F296517	DISCHARGE TUBE 12414401	1	EA	Not available online / Call for pricing and availability
5	10699601	DAMPER-TUBING .8	2	EA	
6	PM010619	COMPRESSOR VCC	1	EA	
<p>Comments for Part Num. PM010619</p> <p>profixappliances@gmail.com on Apr 21, 2020 SUB TO 062775-000 COMPRESSOR KIT</p>					
7	PD020194	SCR, HEX SRTD WSHR HD, #8-18 X 1/2	20	EA	
8	PD030118	INSULATED CLAMP	1	EA	
9	M0221523	SCREW - SHLDR	4	EA	
10	10835901	GROMMET RUBBER V10835901	4	EA	
11	059105-000	CORD, PWR, BM, LEAD TERMINALS	1	EA	
12	K20912569	BRACKET GRILLE SUPPORT	2	EA	
13	M0211014	SCREW-SM	1	EA	Not available online / Call for pricing and availability
14	PE950149	SWITCH POWER	1	EA	
15	011666-000	INVERTER,CMPR,ASM	1	EA	
<p>Comments for Part Num. 011666-000</p> <p>gboltz@VikingRange.com on Aug 9, 2018 See 2018-01P Parts Bulletin</p>					
16	PF930682	LABEL WARNING INVERTER	1	EA	
17	K2096943	PANEL BRACKET	2	EA	
18	G5096494	COND. FAN ASSY	1	EA	
19	K20912361	DIVERTER AIR HI SIDE 36	1	EA	Not available online / Call for pricing and availability



Item	Part No.	Name	Qty	Uom	NOTES
20	000975-000	SUPPORT, FAN SWITCH	1	EA	
21	007407-000	RING,LOK, .187 DIA	2	EA	
22	G50914180	TOP HINGE ASM L 36 BM	1	EA	
22	G50914173	TOP HINGE ASM R 36 BM	1	EA	
NI	PK030477	RETAINER DOOR STOP	1	EA	
NI	PC020242	SCR HEX SKET SET .3125-18CUP PT	1	EA	
NI	PD020226	SCREW FHP 8-32 X .500 SS BO	2	EA	
23	030926-000	DRIER - HIGH SIDE	1	EA	
24	003325-000	TUBE DRIER COND	1	EA	
25	000570-000	FASTENER, BOLT, 1/4-20 IHXWS 1" S ZN SER	4	EA	
26	F2097740	TUBE PROCESS	1	EA	
27	10547001	CLIP-DRIER V10547001	1	EA	
28	A3189370	GASKET-FOAM VA3189370	3	EA	
29	068353-000	CONDENSER ASM W/COPPER ENDS	1	EA	

CONTROL ASSEMBLY



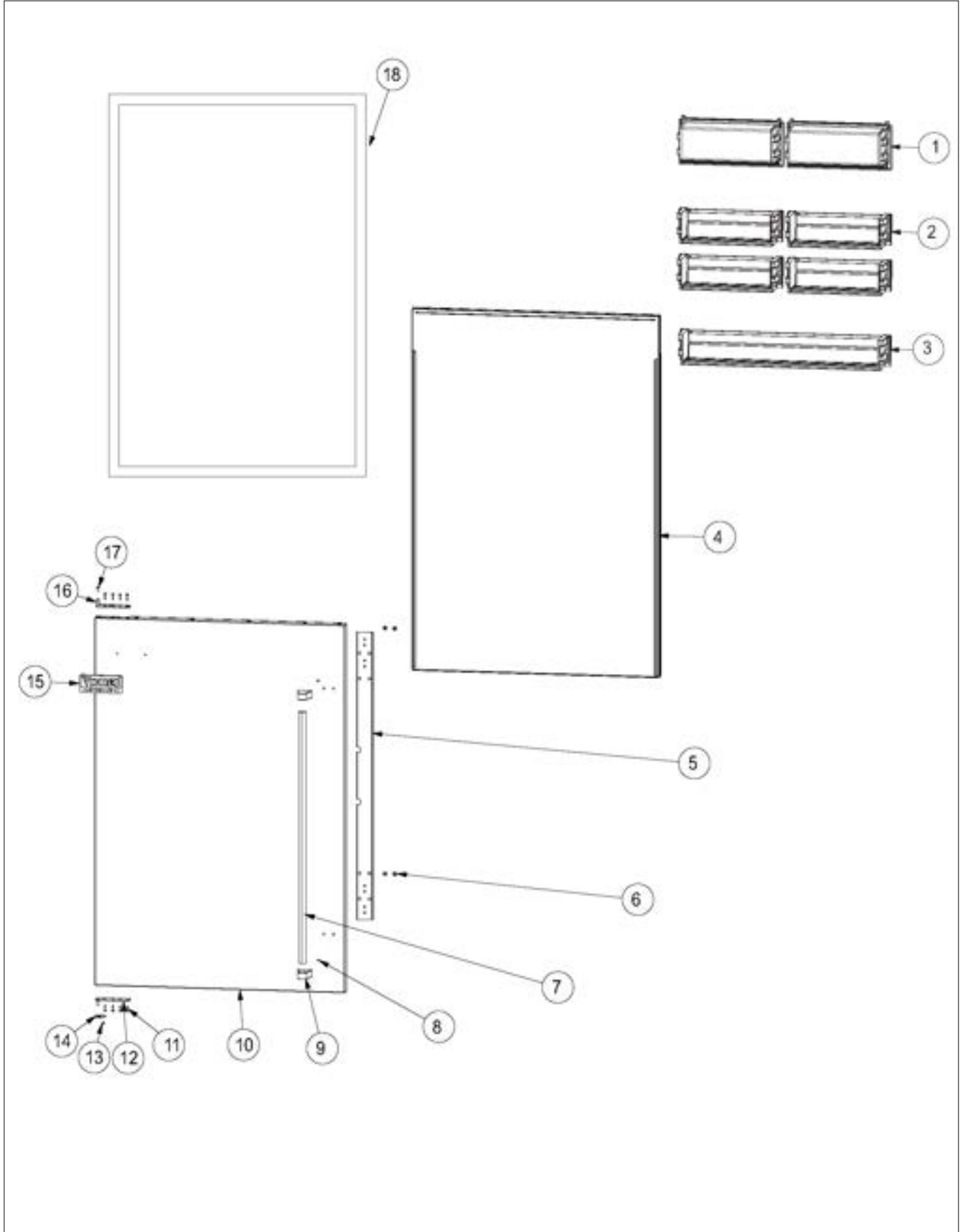


Item	Part No.	Name	Qty	Uom	NOTES
1	PF930487	TECH LITERATURE LABEL - 2	1	EA	
2	K20915000	CONTROL BOX TOP	1	EA	
3	M0288120	NUT-SPEED VM0288120	1	EA	
4	PD020194	SCR, HEX SRTD WSHR HD, #8-18 X 1/2	7	EA	
5	K2098654	Bracket, Power Switch	1	EA	
6	PC040010	POP RIVET (.063/GR -.125) GAMD42-A	8	EA	
7	K2099402	CONTROL BOX	1	EA	
8	PE970609	HARNESS CONTROL BOARD	1	EA	
9	K20910060	BRACKET - PC	1	EA	
10	M0104106	CLIP-CORD VM0104106	1	EA	
11	005396-000	FILM,PROTECTIVE	1	EA	
12	M0585506	SUPPORT	4	EA	
13	005319-000	POWER CONTROL BOARD ASM	1	EA	
<p>Comments for Part Num. 005319-000</p> <p>boltz on Apr 12, 2018 See TR-0056-SP Bulletin</p>					
14	PE070785	Harness, High Voltage Board	1	EA	
15	PE970464	HARNESS LOW VOLT	1	EA	
16	PE070728	BOARD LOW VOLTAGE	1	EA	
<p>Comments for Part Num. PE070728</p> <p>bradleysapplianceservice@shaw.ca on Apr 27, 2016 COULD ALSO USE: 002670-000 LOW VOLTAGE BOARD KIT ANALOG - INCLUDES WIRE HARNESS</p>					
17	PD020013	TYPE "AB" #6 X 3/8 PH PAN HD. SMS	5	EA	
18	PC040010	POP RIVET (.063/GR -.125) GAMD42-A	2	EA	
19	12064001	SUPP-CONT PANEL	2	EA	
20	K20910061	CONTROL BOX FRONT	1	EA	
21	PK030459	PANEL CONTROL AR 36 L	1	EA	
22	010491-000	OVERLAY SWITCH BTM 36	1	EA	
23	PE950122	SWITCH	1	EA	



Item	Part No.	Name	Qty	Uom	NOTES
24	M0238846	SCREW-SHLDR	1	EA	
25	M0224128	SCR 8-18 B TRP 5/16 S	1	EA	
26	A4554817	BUSHING-SNAP VA4554817	2	EA	
27	M0585504	SUPPORT	6	EA	
28	A3030361	GASKET RED	1	EA	

REFRIG DOOR ASSEMBLY





Item	Part No.	Name	Qty	Uom	NOTES
1	V12097404	DAIRY MODULE ASM	2	EA	
2	036882-000	DOORBIN ASM FF 36 HALF	4	EA	
3	036884-000	DOORBIN ASM FF 36 FULL	1	EA	
4	007569-000	DOOR FOAM ASM 36 BM FF	1	EA	
5	K2097525	BRACKET - HANDLE SUPPORT BM PRO	1	EA	
6	M0204303	SCREW-MACH	4	EA	
7	PE030173	304 S.S HANDLE	1	EA	
8	000270-000	SET SCREW (NOT ORDERABLE, MUST ORDER ENDCAP)	2	EA	
9	000268-000	HANDLE ENDCAP	2	EA	
10	010359-000	SKIN, DOOR, BM FF PRO LH SS	1	EA	
10	010578-002	SKIN,DOOR,BM 36 PRO FF LH BK	1	EA	
10	010578-003	SKIN,DOOR,BM 36 PRO FF LH BT	1	EA	
10	010578-004	SKIN,DOOR,BM 36 PRO FF LH SG	1	EA	
10	010578-005	SKIN,DOOR,BM 36 PRO FF LH GG	1	EA	
10	010578-006	SKIN,DOOR,BM 36 PRO FF LH WH	1	EA	
10	010578-007	SKIN,DOOR,BM 36 PRO FF LH AL	1	EA	
10	010578-008	SKIN,DOOR,BM 36 PRO FF LH BU	1	EA	
10	010578-009	SKIN,DOOR,BM 36 PRO FF LH LE	1	EA	
10	010578-010	SKIN,DOOR,BM 36 PRO FF LH MJ	1	EA	
10	010578-011	SKIN,DOOR,BM 36 PRO FF LH FG	1	EA	
10	010578-012	SKIN,DOOR,BM 36 PRO FF LH VB	1	EA	
10	010578-013	SKIN,DOOR,BM 36 PRO FF LH CB	1	EA	
10	010578-014	SKIN,DOOR,BM 36 PRO FF LH EP	1	EA	
10	010578-015	SKIN,DOOR,BM 36 PRO FF LH PL	1	EA	



Item	Part No.	Name	Qty	Uom	NOTES
10	010578-016	SKIN,DOOR,BM 36 PRO FF LH CH	1	EA	
10	010578-017	SKIN,DOOR,BM 36 PRO FF LH TP	1	EA	
10	010578-018	SKIN,DOOR,BM 36 PRO FF LH CW	1	EA	
10	010578-019	SKIN,DOOR,BM 36 PRO FF LH OG	1	EA	
10	010578-020	SKIN,DOOR,BM 36 PRO FF LH GM	1	EA	
10	010578-021	SKIN,DOOR,BM 36 PRO FF LH SA	1	EA	
10	010578-022	SKIN,DOOR,BM 36 PRO FF LH SE	1	EA	
10	010578-023	SKIN,DOOR,BM 36 PRO FF LH IB	1	EA	
10	010578-024	SKIN,DOOR,BM 36 PRO FF LH AR	1	EA	
10	010578-025	SKIN,DOOR,BM 36 PRO FF LH RR	1	EA	
10	010578-026	SKIN,DOOR,BM 36 PRO FF LH PM	1	EA	
10	010578-027	SKIN,DOOR,BM 36 PRO FF LH MS	1	EA	
NI	009152-000	SKIN, DOOR, BM FF PRO RH SS	1	EA	
NI	010577-002	SKIN,DOOR,BM 36 PRO FF RH BK	1	EA	
NI	010577-003	SKIN,DOOR,BM 36 PRO FF RH BT	1	EA	
NI	010577-004	SKIN,DOOR,BM 36 PRO FF RH SG	1	EA	
NI	010577-005	SKIN,DOOR,BM 36 PRO FF RH GG	1	EA	
NI	010577-006	SKIN,DOOR,BM 36 PRO FF RH WH	1	EA	
NI	010577-007	SKIN,DOOR,BM 36 PRO FF RH AL	1	EA	
NI	010577-008	SKIN,DOOR,BM 36 PRO FF RH BU	1	EA	
NI	010577-009	SKIN,DOOR,BM 36 PRO FF RH LE	1	EA	
NI	010577-010	SKIN,DOOR,BM 36 PRO FF RH MJ	1	EA	

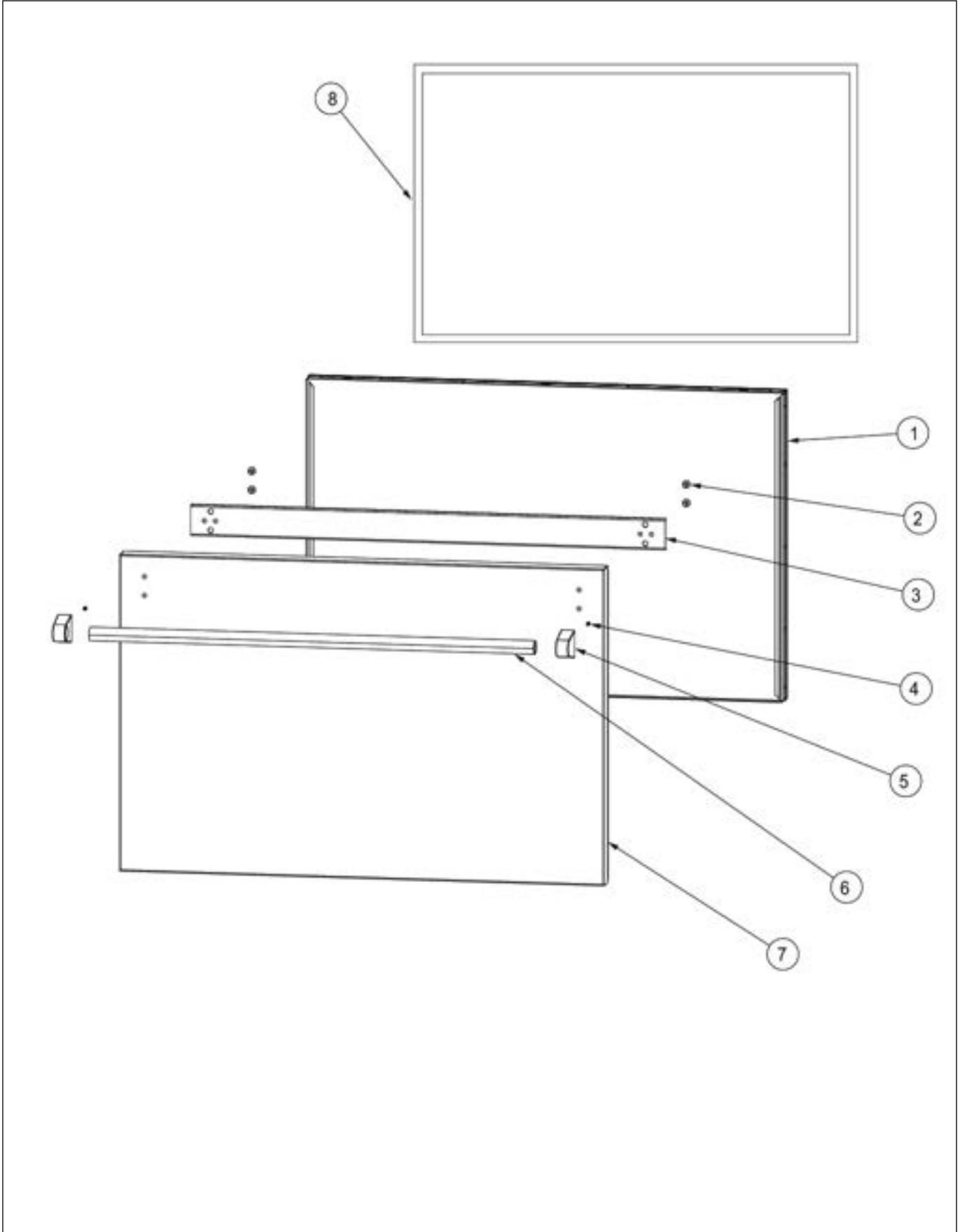


Item	Part No.	Name	Qty	Uom	NOTES
NI	010577-011	SKIN,DOOR,BM 36 PRO FF RH FG	1	EA	
NI	010577-012	SKIN,DOOR,BM 36 PRO FF RH VB	1	EA	
NI	010577-013	SKIN,DOOR,BM 36 PRO FF RH CB	1	EA	
NI	010577-014	SKIN,DOOR,BM 36 PRO FF RH EP	1	EA	
NI	010577-015	SKIN,DOOR,BM 36 PRO FF RH PL	1	EA	
NI	010577-016	SKIN,DOOR,BM 36 PRO FF RH CH	1	EA	
NI	010577-017	SKIN,DOOR,BM 36 PRO FF RH TP	1	EA	
NI	010577-018	SKIN,DOOR,BM 36 PRO FF RH CW	1	EA	
NI	010577-019	SKIN,DOOR,BM 36 PRO FF RH OG	1	EA	
NI	010577-020	SKIN,DOOR,BM 36 PRO FF RH GM	1	EA	
NI	010577-021	SKIN,DOOR,BM 36 PRO FF RH SA	1	EA	
NI	010577-022	SKIN,DOOR,BM 36 PRO FF RH SE	1	EA	
NI	010577-023	SKIN,DOOR,BM 36 PRO FF RH IB	1	EA	
NI	010577-024	SKIN,DOOR,BM 36 PRO FF RH AR	1	EA	
NI	010577-025	SKIN,DOOR,BM 36 PRO FF RH RR	1	EA	
NI	010577-026	SKIN,DOOR,BM 36 PRO FF RH PM	1	EA	
NI	010577-027	SKIN,DOOR,BM 36 PRO FF RH MS	1	EA	
11	PD920174	10X7/8 PHILLIPS SMA TRI LOBE SA	8	EA	
12	PC020283	PIVOT PL ASM LH LW PRO/DES	1	EA	
12	PC020282	PIVOT PL ASM RH LW PRO/DES	1	EA	
13	PD020187	SCR 8-32 MCH HXWS 1/4 S ZN	1	EA	
14	PC020296	CAM DOOR CLOSURE TOP BLACK	1	EA	
15	PE010030	LOGO 6" (VGRC) *BK*	1	EA	



Item	Part No.	Name	Qty	Uom	NOTES
16	031372-000	PIVOT PL ASM LH UP PRO/DES	1	EA	
16	042382-000	RH, BM 4 HOLE PIVOT PLATE KIT	1	EA	
Not Shown	NOTE	(MANUFACTURED BETWEEN 4/10/2006 THRU 8/10/12)		EA	
16	042381-000	LH, BM 4 HOLE PIVOT PLATE KIT	1	EA	
Not Shown	NOTE	(MANUFACTURED BETWEEN 4/10/2006 THRU 8/10/12)		EA	
16	031369-000	PIVOT PL ASM RH UP PRO/DES	1	EA	
17	PD020234	SCREW THP 10-32 X .500 SS BO	1	EA	
18	005449-000	GASKET, ASM, 36, FF	1	EA	

FREEZER DOOR ASSEMBLY





Item	Part No.	Name	Qty	Uom	NOTES
1	007565-000	DOOR FOAM ASM 36 BM FZ	1	EA	
2	M0204303	SCREW-MACH	4	EA	
3	014249-000	BRACKET,HDL,DES 36	1	EA	
4	000270-000	SET SCREW (NOT ORDERABLE, MUST ORDER ENDCAP)	2	EA	
5	000268-000	HANDLE ENDCAP	2	EA	
6	PE930094	VCBB36 HANDLE -SS (32.437")	1	EA	
7	011187-000	SKIN,DOOR,BM 36 PRO FZ SS	1	EA	
7	008795-002	SKIN,DOOR,BM 36 PRO FZ BK	1	EA	Not available online / Call for pricing and availability
7	008795-003	SKIN,DOOR,BM 36 PRO FZ BT	1	EA	Not available online / Call for pricing and availability
7	008795-004	SKIN,DOOR,BM 36 PRO FZ SG	1	EA	Not available online / Call for pricing and availability
7	008795-005	SKIN,DOOR,BM 36 PRO FZ GG	1	EA	
7	008795-006	SKIN,DOOR,BM 36 PRO FZ WH	1	EA	Not available online / Call for pricing and availability
7	008795-007	SKIN,DOOR,BM 36 PRO FZ AL	1	EA	Not available online / Call for pricing and availability
7	008795-008	SKIN,DOOR,BM 36 PRO FZ BU	1	EA	Not available online / Call for pricing and availability
7	008795-009	SKIN,DOOR,BM 36 PRO FZ LE	1	EA	Not available online / Call for pricing and availability
7	008795-010	SKIN,DOOR,BM 36 PRO FZ MJ	1	EA	Not available online / Call for pricing and availability
7	008795-011	SKIN,DOOR,BM 36 PRO FZ FG	1	EA	Not available online / Call for pricing and availability
7	008795-012	SKIN,DOOR,BM 36 PRO FZ VB	1	EA	

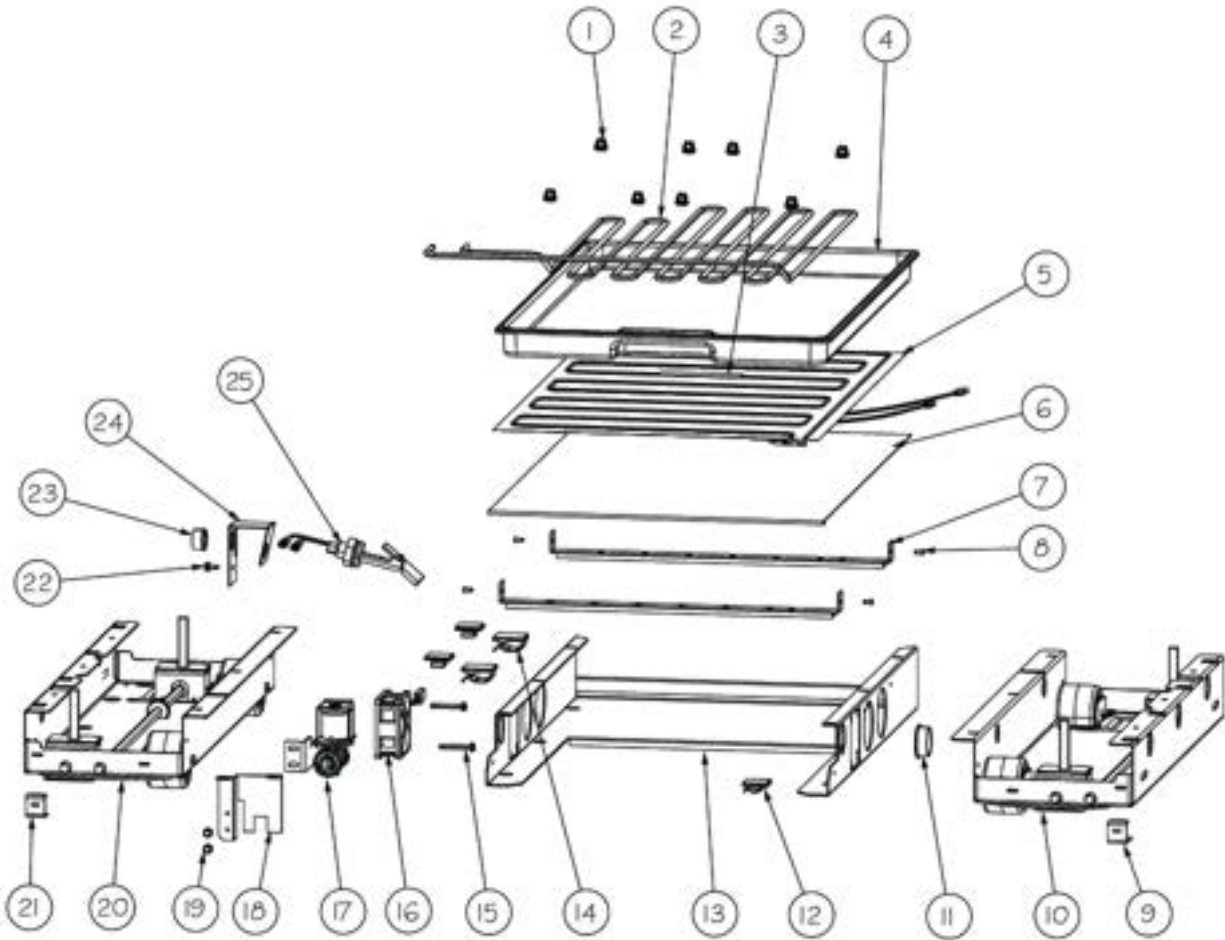


Item	Part No.	Name	Qty	Uom	NOTES
7	008795-013	SKIN,DOOR,BM 36 PRO FZ CB	1	EA	Not available online / Call for pricing and availability
7	008795-014	SKIN,DOOR,BM 36 PRO FZ EP	1	EA	Not available online / Call for pricing and availability
7	008795-015	SKIN,DOOR,BM 36 PRO FZ PL	1	EA	Not available online / Call for pricing and availability
7	008795-016	SKIN,DOOR,BM 36 PRO FZ CH	1	EA	Not available online / Call for pricing and availability
7	008795-017	SKIN,DOOR,BM 36 PRO FZ TP	1	EA	Not available online / Call for pricing and availability
7	008795-018	SKIN,DOOR,BM 36 PRO FZ CW	1	EA	Not available online / Call for pricing and availability
7	008795-019	SKIN,DOOR,BM 36 PRO FZ OG	1	EA	Not available online / Call for pricing and availability
7	008795-020	SKIN,DOOR,BM 36 PRO FZ GM	1	EA	
7	008795-021	SKIN,DOOR,BM 36 PRO FZ SA	1	EA	Not available online / Call for pricing and availability
7	008795-022	SKIN,DOOR,BM 36 PRO FZ SE	1	EA	Not available online / Call for pricing and availability
7	008795-023	SKIN,DOOR,BM 36 PRO FZ IB	1	EA	Not available online / Call for pricing and availability
7	008795-024	SKIN,DOOR,BM 36 PRO FZ AR	1	EA	Not available online / Call for pricing and availability
7	008795-025	SKIN,DOOR,BM 36 PRO FZ RR	1	EA	Not available online / Call for pricing and availability



Item	Part No.	Name	Qty	Uom	NOTES
7	008795-026	SKIN,DOOR,BM 36 PRO FZ PM	1	EA	Not available online / Call for pricing and availability
7	008795-027	SKIN,DOOR,BM 36 PRO FZ MS	1	EA	Not available online / Call for pricing and availability
8	005450-000	GASKET,ASM,36,BM FZ	1	EA	

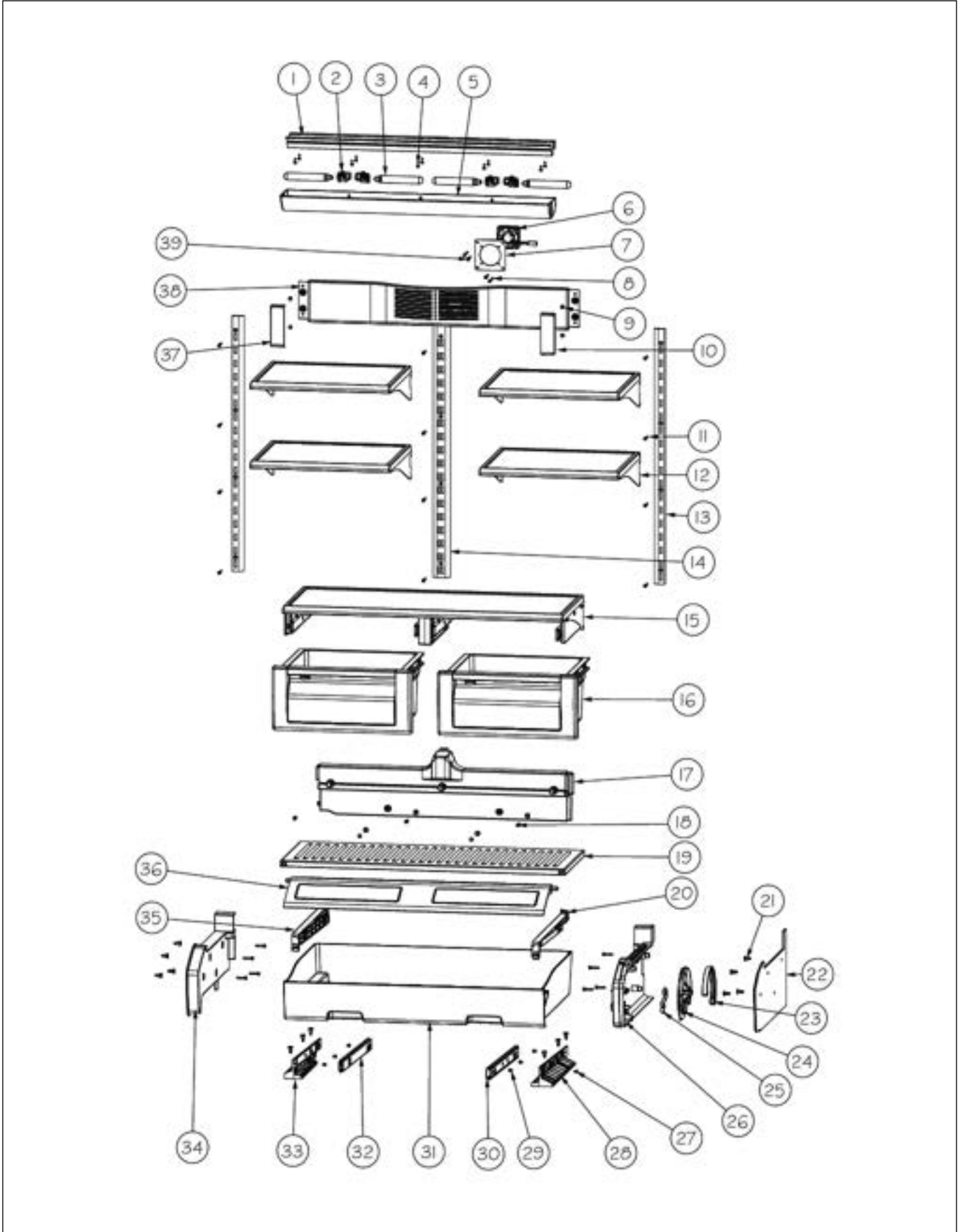
LOWER UNIT ASSEMBLY





Item	Part No.	Name	Qty	Uom	NOTES
1	PD030146	STAND OFF LOCK CLIP	1	EA	
2	F2096549	SERPENTINE-DRAIN 12131801	1	EA	
3	PF031267	LABEL HEATER PAN	1	EA	
4	PK930348	PAN DRAIN	1	EA	
5	G50911853	TRAY PAN HEATER	1	EA	
6	L20914124WH	TRAY PAN HEATER	1	EA	
7	K20913040	BRACKET, CONDENSATE SUPPORT	2	EA	Not available online / Call for pricing and availability
8	10699601	DAMPER-TUBING .8	4	EA	
9	K2098044	BRKT GRILLE SUPPORT	1	EA	
10	060890-000	LEVELER, MODULE, R	1	EA	
11	A4554817	BUSHING-SNAP VA4554817	1	EA	
12	M0104106	CLIP-CORD VM0104106	3	EA	
13	K20915952	SHIELD BOTTOM DRAIN	1	EA	
14	M0104102	CLIP-CORD RED	1	EA	
15	PD020274	SCR SLTD HEX WSHR HD 8X1.250 BT	1	EA	
16	013112-000	AXIAL FAN	1	EA	
17	PA970012	SINGLE WATER VALVE	1	EA	
18	K20913788	BRKT VALVE H2O SINGLE	1	EA	
19	M0220417	SCREW-TC	1	EA	
20	060891-000	LEVELER, MODULE, L	1	EA	
21	K2098096	BRKT GRILLE SUPPORT	1	EA	
22	M0253916	SCR 8-32 SHXW 3/8 TRI-LOBE	1	EA	
23	A4554806	BUSHING-SNAP VA4554806	1	EA	
24	B20915627	BRACKET HORIZ FLOAT SWITCH	1	EA	
25	PE050248	FLOAT SWITCH HORIZONTAL	1	EA	

REFRIG INTERIOR ASSEMBLY



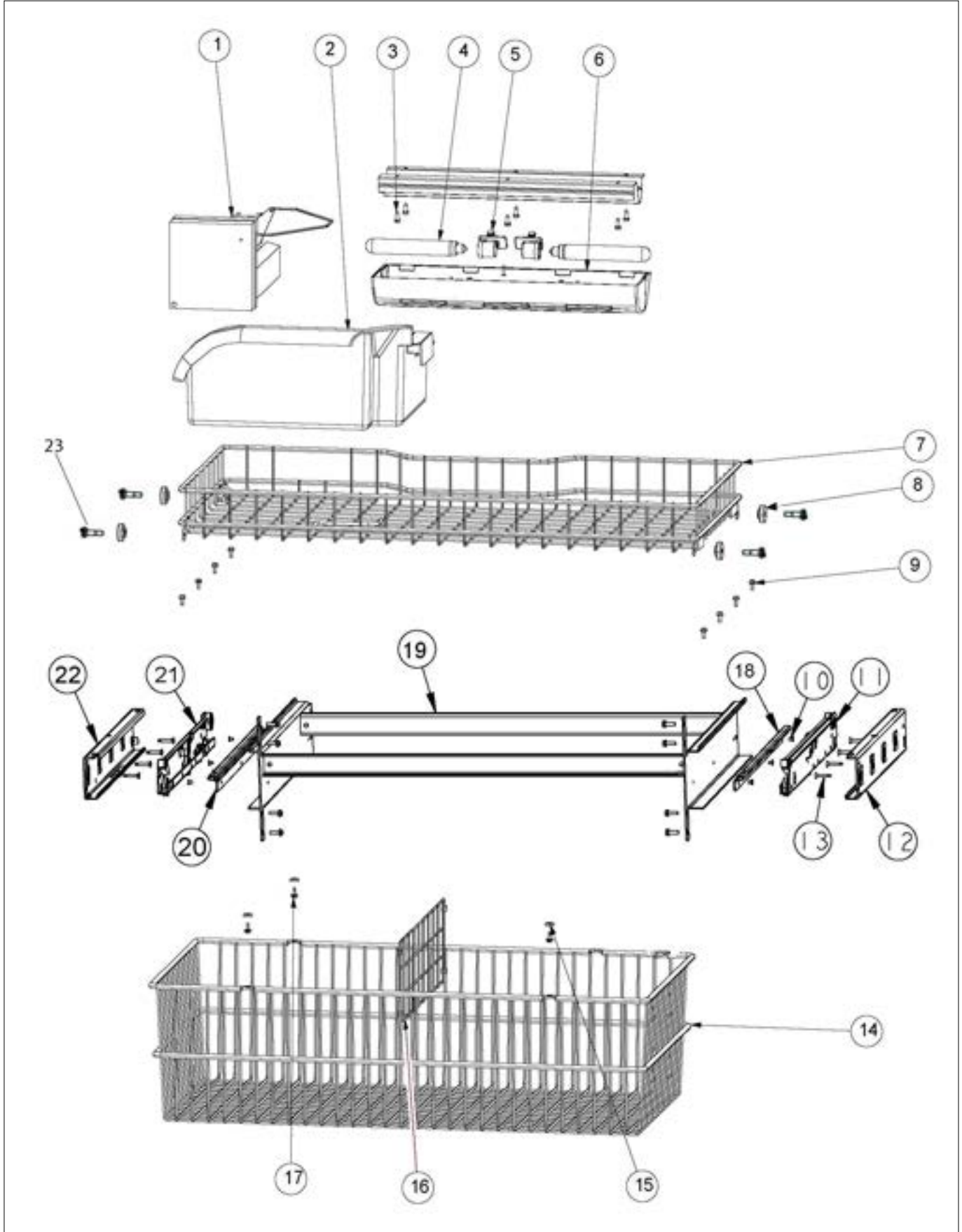


Item	Part No.	Name	Qty	Uom	NOTES
1	L20910705	BRACKET LIGHT AR 36	1	EA	
2	PE950125	LIGHT SOCKET	4	EA	
3	004528-000	LAMP, 40 WATT BLUE LIGHT	4	EA	
4	PD020194	SCR, HEX SRTD WSHR HD, #8-18 X 1/2	12	EA	
5	020123-000	COVER LIGHT ASM AF/AR/BM 36	1	EA	
6	013112-000	AXIAL FAN	1	EA	
7	K2096475	FAN MOUNTING PLATE	1	EA	
8	M0221913	SCREW-SM	2	EA	
9	PD020195	SCR 8-18 X 5/8	3	EA	
10	12070201	CAP-R FAN COVER V12070201	1	EA	
11	M0238535	SCREW-SM	12	EA	
12	PM910351	SHELF ASM GLASS BM 36 FF	4	EA	
13	PK020074	LADDER SIDE BTM 36	2	EA	
14	12071501	LADDER-CTR CANT V12071501	1	EA	
15	G50911908	SHELF & SLIDE ASM 36 AR & 36 BM	1	EA	
16	012396-000	DRAWER,PRODUCE,ASM 36 AR/BM	2	EA	
17	PK930388	DUCT, MEATSAVOR REAR BM 36	1	EA	
18	M0211021	SCREW-SM	11	EA	
19	PK930286	SHELF MEATSAVOR AR/BM 36	1	EA	
20	PK930175	SUPPORT DRAWER MEAT SAVOR SXS 42/48 R	1	EA	
21	M0581001	GROMMET-SCREW	16	EA	
22	PK930283	DUCT MEATSAVOR SPACER	1	EA	
23	PK930172	COVER CONTROL MEAT SAVOR	1	EA	
24	044384-000	DIAL CONTROL MEAT SAVOR	1	EA	
25	PM910334	ROLLER TENSION	1	EA	
26	044232-000	DUCT MEAT SAVOR (R)	1	EA	
27	M0224128	SCR 8-18 B TRP 5/16 S	1	EA	
28	PK930173	SUPPORT SLIDE MEAT SAVOR SXS 42/48 R	1	EA	



Item	Part No.	Name	Qty	Uom	NOTES
29	PD920162	SCR 8-16 PLASTITE PNP 1/4 S	6	EA	
30	PM910287	SLIDE MEAT SAVOR R	1	EA	
31	PK930278	DRAWER MEAT SAVOR AR BM 36	1	EA	
32	PM910288	SLIDE MEAT SAVOR L	1	EA	
<p>Comments for Part Num. PM910288</p> <p>profixappliances@gmail.com on May 3, 2017</p> <p>ITEM # 5 SHOULD BE PK930288-DOOR MEATSAVOR ASM AR/BM 36</p>					
33	PK930174	SUPPORT SLIDE MEAT SAVOR SXS 42/48 L	1	EA	
34	PK930284	DUCT MEATSAVOR LEFT	1	EA	
35	PK930176	SUPPORT DRAWER MEAT SAVOR 42/48 L	1	EA	
36	009916-000	MEAT SAVOR LID/DOOR 36AR/BM36	1	EA	
<p>Comments for Part Num. 009916-000</p> <p>profixappliances@gmail.com on Mar 26, 2020</p> <p>SUB TO 044809-000 DOOR MEAT SAVOR ASM</p>					
37	12070202	CAP-L FAN COVER V12070202	1	EA	
38	12067401	FAN COVER	1	EA	
39	PD020188	SCR 8-18 BT HXWS 1 1/2	2	EA	

FREEZER INTERIOR ASSEMBLY





Item	Part No.	Name	Qty	Uom	NOTES
1	G50911850	ICE MAKER ASSY, BM (SEE BULLETIN TR-0023C-SP)	1	EA	
<p>Comments for Part Num. G50911850</p> <p>bradleysapplianceservice@shaw.ca on Jan 7, 2016 ICE MAKER BAIL ARM ACCESSORY KIT NUMBER 002251-000 -BAIL ARM (BOTTOM MOUNT) -BAIL ARM (DISPENSER AND NON-DISPENSER SIDE BY SIDE, ALL FREEZER) -ICE MAKER SHUTOFF WIRE</p> <p>ICE MAKER KIT NUMBER 002252-000 -ICE MAKER -ICE MAKER COVER -ICE MAKER LABEL -FILL CUP CLIP</p> <p>ICE MAKER WIRE HARNESS KIT NUMBER 002253-000 -ICE MAKER HARNESS -WIRE CLAMP</p> <p>REF: TECHNICAL BULLITEN: TR-0023C-SP</p>					
2	PK930056	PAN ICE	1	EA	
3	PD020194	SCR, HEX SRTD WSHR HD, #8-18 X 1/2	6	EA	
4	004528-000	LAMP, 40 WATT BLUE LIGHT	2	EA	
5	PE950125	LIGHT SOCKET	2	EA	
6	12074501	COVER-FZ LIGHT	1	EA	
7	PM010630	TOP BASKET	1	EA	
8	12088001	ROLLER-UP BSKT V12088001	4	EA	
9	PD920125	SCREW, NO.8 X 3/8 HEX HD.	5	EA	
10	001091-000	NO.8-32X1/4 FLAT PHIL HD TAPTITE	6	EA	
Not Shown	PC080029	MIDDLE MEMBER, SLIDE BM 36 (RH)	1	EA	
Not Shown	NOTE	(BEFORE 04/14/16)		EA	
11	057856-000	MIDDLE MEMBER, SLIDE BM 36 (RH)	1	EA	



Item	Part No.	Name	Qty	Uom	NOTES
Not Shown	NOTE	(ON OR AFTER 04/14/16)		EA	
12	PC080028	OUTER MEMBER, SLIDE BM 36 (RH)	1	EA	
Not Shown	NOTE	(BEFORE 04/14/16)		EA	
12	057853-000	OUTER MEMBER, SLIDE BM 36 (RH)	1	EA	
Not Shown	NOTE	(ON OR AFTER 04/14/16)		EA	
13	PD920174	10X7/8 PHILLIPS SMA TRI LOBE SA	1	EA	
14	PM910172	BASKET BOTTOM 36 BM FZ	1	EA	
15	M0274067	WASHER-NYLON	4	EA	
16	003995-000	DIVIDER, BOT BASKET	1	EA	
17	M0253916	SCR 8-32 SHXW 3/8 TRI-LOBE	4	EA	
18	PC080030	INNER MEMBER, SLIDE BM 36 (RH)	1	EA	
Not Shown	NOTE	(BEFORE 04/14/16)		EA	
18	057855-000	INNER MEMBER, SLIDE BM 36 (RH)	1	EA	
Not Shown	NOTE	(ON OR AFTER 04/14/16)		EA	
19	PM010622	FRAME BASKET ASM 36 BM	1	EA	
20	PC080027	INNER MEMBER, SLIDE BM 36 (LH)	1	EA	
Not Shown	NOTE	(BEFORE 04/14/16)		EA	
20	057854-000	INNER MEMBER, SLIDE BM 36 (LH)	1	EA	
Not Shown	NOTE	(ON OR AFTER 04/14/16)		EA	
21	PC080026	MIDDLE MEMBER, SLIDE BM 36 (LH)	1	EA	
Not Shown	NOTE	(BEFORE 04/14/16)		EA	
21	057857-000	MIDDLE MEMBER, SLIDE BM 36 (LH)	1	EA	
Not Shown	NOTE	(ON OR AFTER 04/14/16)		EA	



Item	Part No.	Name	Qty	Uom	NOTES
22	PC080025	OUTER MEMBER, SLIDE BM 36 (LH)	1	EA	
Not Shown	NOTE	(BEFORE 04/14/16)		EA	
22	057852-000	OUTER MEMBER, SLIDE BM 36 (LH)	1	EA	
Not Shown	NOTE	(ON OR AFTER 04/14/16)		EA	
23	PD020189	SHSCR 12/28 AB SKT .641	4	EA	



Appendix A:Pages Index

CONTROL ASSEMBLY 5
EXTERIOR ASSEMBLY 3
FREEZER DOOR ASSEMBLY 7
FREEZER INTERIOR ASSEMBLY 10
LOW SIDE ASSEMBLY 2
LOWER UNIT ASSEMBLY 8
MC COVER AND UPPER GRILLE ASSEM 1
REFRIG DOOR ASSEMBLY 6
REFRIG INTERIOR ASSEMBLY 9
SEALED SYSTEM ASSEMBLY 4



Appendix B:Parts Index

000147-002	3	008795-015	7
000247-000	2	008795-016	7
000268-000	6, 7	008795-017	7
000270-000	6, 7	008795-018	7
000570-000	4	008795-019	7
000975-000	4	008795-020	7
001091-000	10	008795-021	7
003200-000	1	008795-022	7
003201-000	1	008795-023	7
003257-000	1	008795-024	7
003258-000	1	008795-025	7
003260-000	1	008795-026	7
003265-000	1	008795-027	7
003268-000	1	009152-000	6
003274-000	1	009916-000	9
003325-000	4	010359-000	6
003471-000	2	010491-000	5
003995-000	10	010577-002	6
004528-000	9, 10	010577-003	6
005319-000	5	010577-004	6
005396-000	5	010577-005	6
005449-000	6	010577-006	6
005450-000	7	010577-007	6
007341-000	1	010577-008	6
007407-000	4	010577-009	6
007565-000	7	010577-010	6
007569-000	6	010577-011	6
008795-002	7	010577-012	6
008795-003	7	010577-013	6
008795-004	7	010577-014	6
008795-005	7	010577-015	6
008795-006	7	010577-016	6
008795-007	7	010577-017	6
008795-008	7	010577-018	6
008795-009	7	010577-019	6
008795-010	7	010577-020	6
008795-011	7	010577-021	6
008795-012	7	010577-022	6
008795-013	7	010577-023	6
008795-014	7	010577-024	6
		010577-025	6



010577-026	6	036882-000	6
010577-027	6	036884-000	6
010578-002	6	042381-000	6
010578-003	6	042382-000	6
010578-004	6	044232-000	9
010578-005	6	044384-000	9
010578-006	6	044439-000	3
010578-007	6	057852-000	10
010578-008	6	057853-000	10
010578-009	6	057854-000	10
010578-010	6	057855-000	10
010578-011	6	057856-000	10
010578-012	6	057857-000	10
010578-013	6	058966-000	2
010578-014	6	059105-000	4
010578-015	6	060890-000	8
010578-016	6	060891-000	8
010578-017	6	068353-000	4
010578-018	6	10547001	4
010578-019	6	10656101	2
010578-020	6	10699601	4, 8
010578-021	6	10835901	4
010578-022	6	12059901	2
010578-023	6	12063301	2
010578-024	6	12064001	5
010578-025	6	12067401	9
010578-026	6	12070201	9
010578-027	6	12070202	9
011187-000	7	12071501	9
011666-000	4	12074501	10
012396-000	9	12088001	10
013112-000	8, 9	12102401	2
014249-000	7	A1017202	2
020123-000	9	A3030361	5
025274-000	1	A3189370	4
025276-000	2	A4554806	1, 8
025432-000	1	A4554817	5, 8
030926-000	4	B20915627	8
031006-000	2, 4	C8982701	4
031369-000	6	C8983701	2
031372-000	6	F2096507	4



F2096549	8	M0204303	6, 7
F2097740	4	M0211014	2, 4
F296517	4	M0211018	2
G50911850	10	M0211021	9
G50911853	8	M0213105	2
G50911908	9	M0215318	3
G50914173	4	M0220417	8
G50914180	4	M0221523	4
G5096494	4	M0221913	9
G5099929	1	M0224128	5, 9
K10911852	3	M0238535	9
K20910060	5	M0238846	5
K20910061	5	M0253916	1, 8, 10
K20912361	4	M0274067	10
K20912569	4	M0288120	5
K20913040	8	M0581001	9
K20913788	8	M0585504	5
K20915000	5	M0585506	5
K20915675	1	PA970012	8
K20915902	1, 1	PB070358	1
K20915952	8	PC020228	3
K2096475	9	PC020242	4
K2096943	4	PC020249	3
K2097168	2	PC020250	3
K2097169	2	PC020282	6
K2097172	2	PC020283	6
K2097525	6	PC020296	6
K2098044	8	PC040010	1, 5, 5
K2098096	8	PC080025	10
K2098398	2	PC080026	10
K2098654	5	PC080027	10
K2099402	5	PC080028	10
K2099455	1	PC080029	10
K2099460	1	PC080030	10
K2099931	1	PD020013	5
K2099933	1	PD020038	2
L20910705	9	PD020187	6
L20914124WH	8	PD020188	9
L21910017	2	PD020189	10
M0104102	8	PD020193	2
M0104106	5, 8	PD020194	1, 4, 5, 9, 10



PD020195	9	PK930175	9
PD020226	4	PK930176	9
PD020233	1	PK930278	9
PD020234	6	PK930283	9
PD020274	8	PK930284	9
PD030118	4	PK930286	9
PD030146	8	PK930348	8
PD040157	1	PK930388	9
PD920125	10	PM010619	4
PD920162	9	PM010622	10
PD920174	6, 10	PM010630	10
PE010030	6	PM910168	2
PE030173	6	PM910172	10
PE050248	8	PM910178	2
PE070728	5	PM910287	9
PE070785	5	PM910288	9
PE930094	7	PM910334	9
PE950122	5	PM910351	9
PE950125	9, 10	V12097404	6
PE950149	4		
PE950153	2		
PE970464	5		
PE970545	2		
PE970546	2		
PE970609	5		
PF031267	8		
PF930487	5		
PF930523	1		
PF930682	4		
PJ910030	2		
PK020074	9		
PK030459	5		
PK030477	4		
PK030540	3		
PK050004	1		
PK910089	1		
PK910123	3		
PK930056	10		
PK930172	9		
PK930173	9		
PK930174	9		