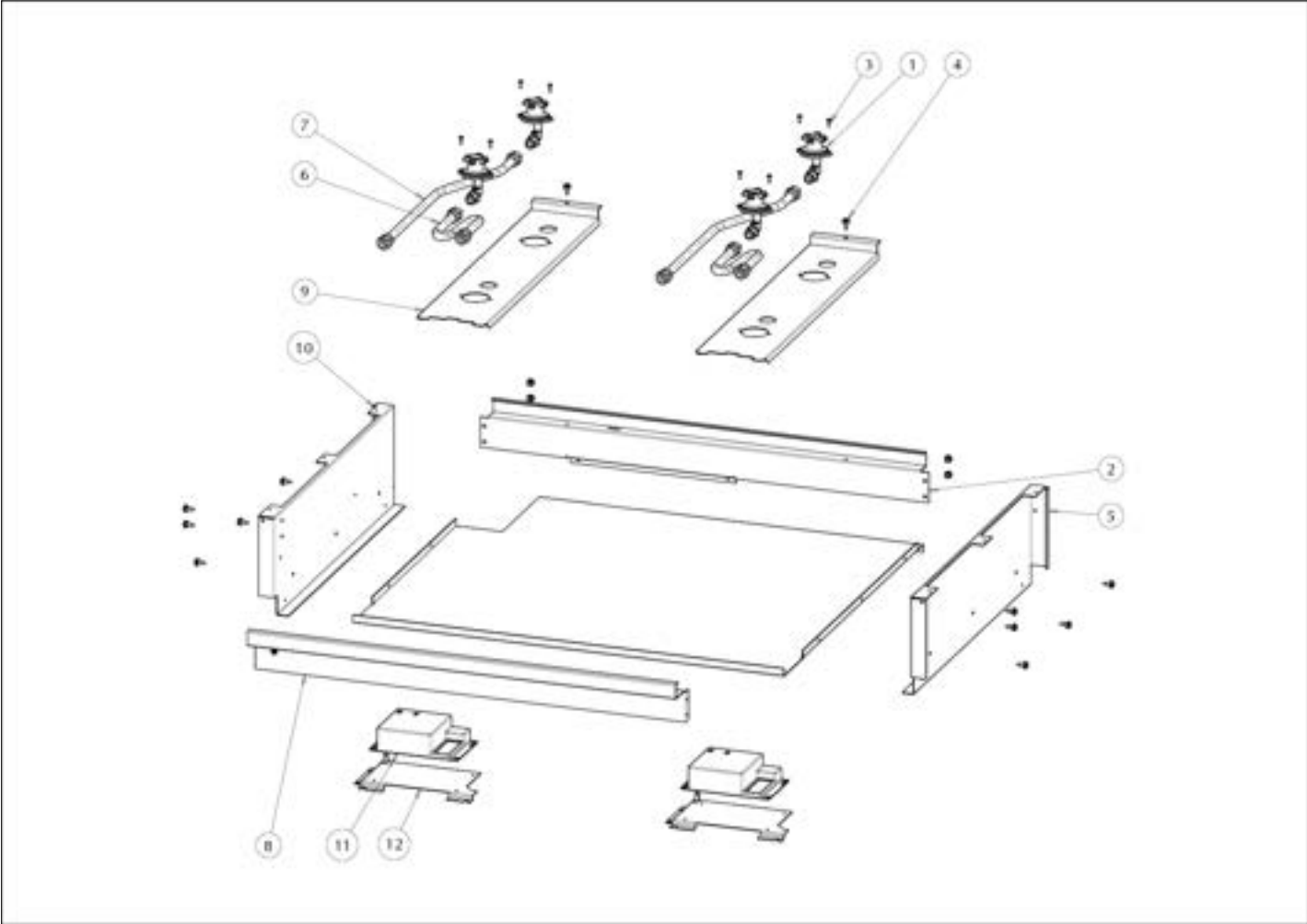


# **EVDSC530-4B**

BURNER BOX .....	1
CONTROL AREA .....	2
DOOR ASSY .....	3
LOWER UNIT AREA .....	4
OVEN INTERIOR .....	5
REAR UNIT AREA .....	6
SURFACE COOKING AREA .....	7
UNIT EXTERIOR .....	8
UNIT WIRING .....	9
UPPER OVEN CAVITY .....	10
Appendix A:Pages Index .....	A
Appendix B:Parts Index .....	B



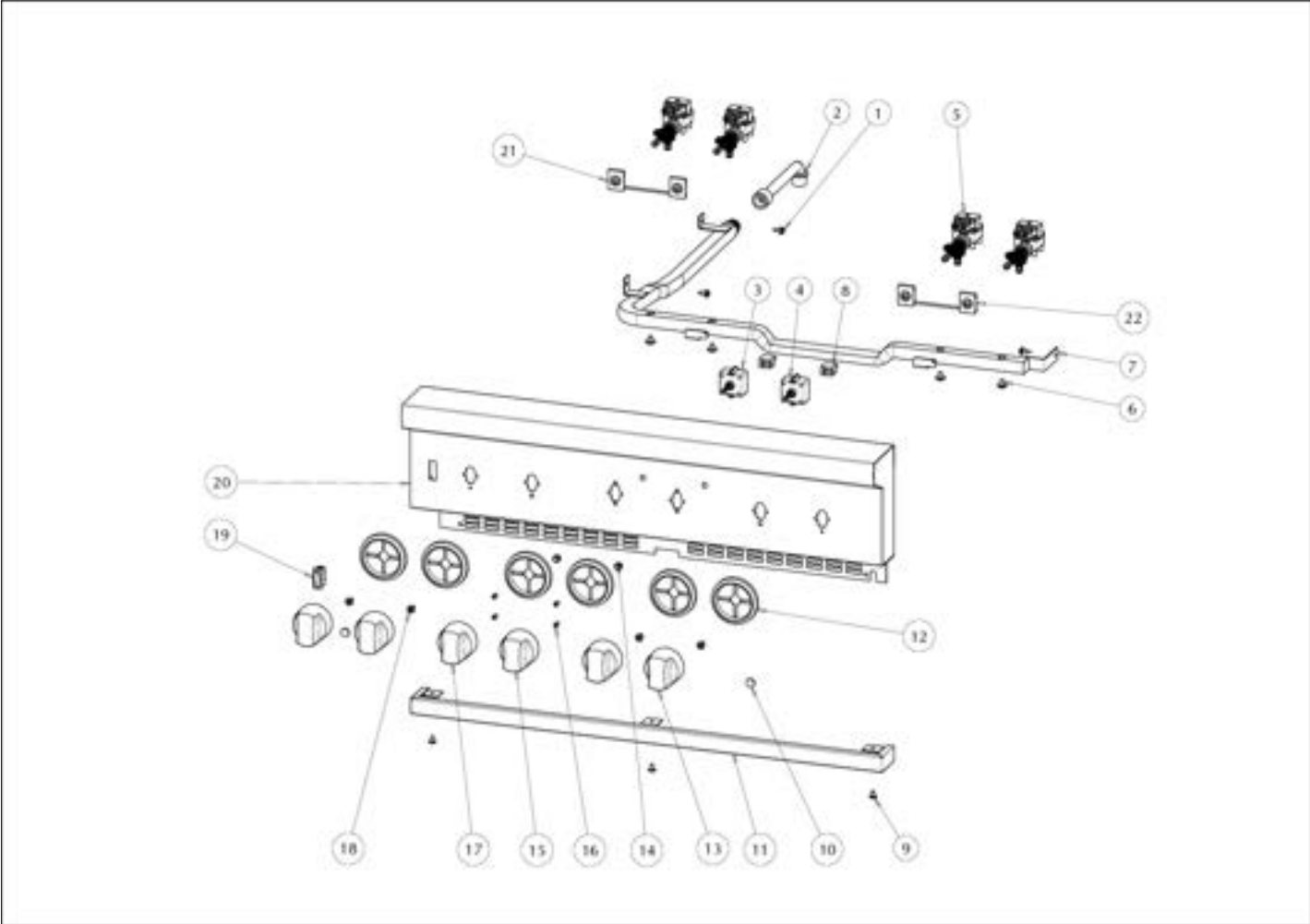
BURNER BOX





Item	Part No.	Name	Qty	Uom	NOTES
1	066197-041	18500 BTU NAT JETHOLDER	1	EA	
1	066197-042	15000 BTU NAT JETHOLDER	3	EA	
Not Shown	NOTE	For correct orifices, see chart		EA	
2	002924-000	REAR SUPPORT, BURNER BOX	1	EA	
3	PD020076	6-32 X 3/8" PHILL PAN MS	8	EA	
4	003860-000	10-18 x .500 FASTNR,SCR,HXWH,STL,ZPLT	16	EA	
5	002755-000	BURNER BOX SIDE, RH	1	EA	
6	PB020192	10" FLEX TUBING W/CONNECTORS	2	EA	
7	PB020193	16" FLEX TUBING W/CONNECTORS	2	EA	
8	002925-000	FRONT SUPPORT, BURNER BOX	1	EA	
9	002923-000	BURNER MODULE SUPPORT	2	EA	
10	003481-000	BURNER BOX SIDE, LH	1	EA	
11	NA YET	CONVERSION KIT TO 018609- 000 DSI MODULE	2	EA	
Not Shown	NOTE	Before 12/03/2010		EA	
11	042721-507	DSI230 SHORT PURGE ASSY	2	EA	
Not Shown	NOTE	After 12/03/2010		EA	
12	018001-000	EVDSC SINGLE DSI TRAY	1	EA	
Not Shown	NOTE	Before 12/03/2010		EA	
12	NA YET	EVDSC DOUBLE DSI TRAY	1	EA	
Not Shown	NOTE	After 12/03/2010		EA	

CONTROL AREA



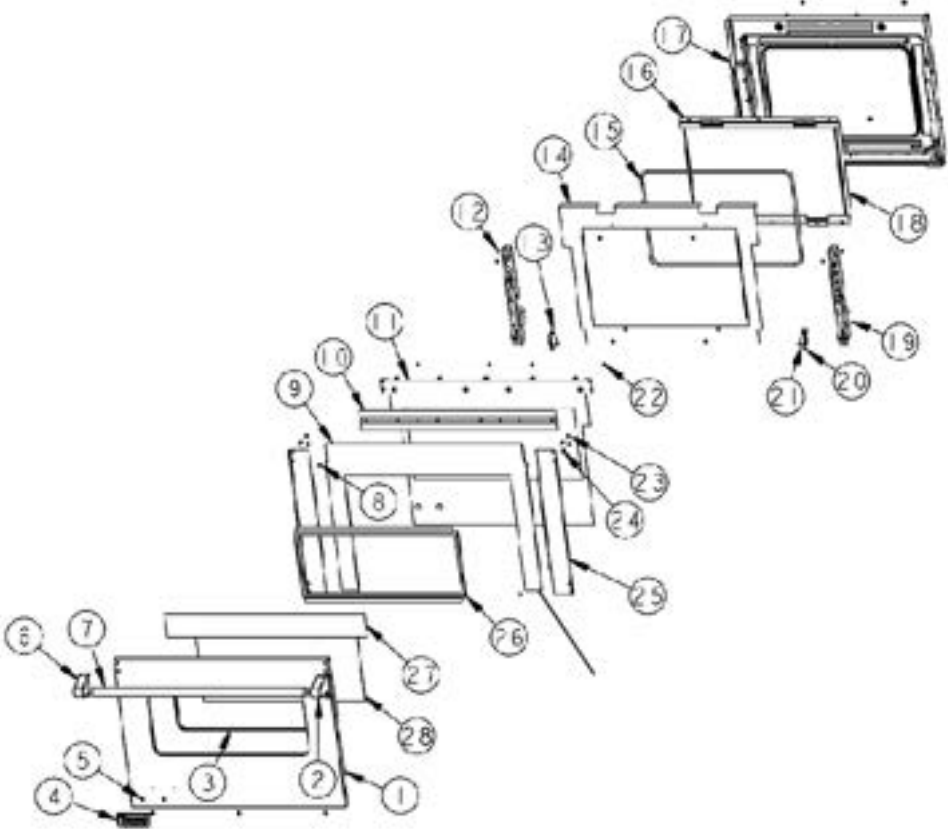


Item	Part No.	Name	Qty	Uom	NOTES
1	003860-000	10-18 x .500 FASTNR,SCR,HXWH,STL,ZPLT	3	EA	
2	018031-000	GAS TUBE 174MM	1	EA	
NI	018627-000	COUPLING, 1/2" NPT/14 TPI	1	EA	
NI	018631-000	NIPPLE 5"	1	EA	
NI	PD040106	1/2" NPT-BSP ADAPTER	1	EA	
3	PJ030033	SELECTOR (10 POS)	1	EA	
4	PJ030035	THERMOSTAT	1	EA	
5	018605-000	VALVE & SOLENOID ASM	4	EA	
6	PD010012	VALVE BOLT 1/4-20 UNC-2B 5/16" M.S.	4	EA	
7	002926-000	GAS MANIFOLD, REDESIGN	1	EA	
8	PE050072	LENS OPENING	2	EA	
9	PD020032	SRW-8(A)X3/8"PH.WFR HD 7/16DIA*NICL	3	EA	
10	PD040004	GROMMET BUMPER	2	EA	
11	009331-000	TRIM, ASM	1	EA	
12	050172-000	BEZEL, KNOB	6	EA	
13	005269-000	RANGE TOP BURNER KNOB- BRUSHED, SSS	4	EA	
14	021336-000	INDICATOR, LT, RED, CHROME BEZEL, LED	2	EA	
15	013052-000	THERMOSTAT KNOB SS EVDSC/EVGSC	1	EA	
16	PD020076	6-32 X 3/8" PHILL PAN MS	4	EA	
17	013054-000	SELECTOR KNOB (10 POS) SS EVDSC	1	EA	
18	PD020046	' #8 X 1/2 SCREWS	4	EA	
19	003719-000	OVEN LIGHT SWITCH, BLACK	1	EA	
20	025711-2055	CONTROL PANEL ASM, VDSC530-4B W/GRAPHICS	1	EA	
21	018019-000	CE WIRE HARNESS -2	1	EA	
22	018018-000	CE WIRE HARNESS -1	1	EA	

DOOR ASSY

ImageView

Page 1 of 1





Item	Part No.	Name	Qty	Uom	NOTES
1	002722-000	DOOR SKIN, 30" STAINLESS - NOT FIELD REPLACEABLE (MUST ORDER DOOR SKIN ASM)	1	EA	
1	023252-002	SRV DOOR SKIN KIT, VDSC530, 530T, BK	1	EA	
1	023252-003	SRV DOOR SKIN KIT, VDSC530, 530T, BT	1	EA	
1	023252-004	SRV DOOR SKIN KIT, VDSC530, 530T, SG	1	EA	
1	023252-005	SRV DOOR SKIN KIT, VDSC530, 530T, GG	1	EA	
1	023252-006	SRV DOOR SKIN KIT, VDSC530, 530T, WH	1	EA	
1	023252-008	SRV DOOR SKIN KIT, VDSC530, 530T, BU	1	EA	
1	023252-009	SRV DOOR SKIN KIT, VDSC530, 530T, LE	1	EA	
1	023252-010	SRV DOOR SKIN KIT, VDSC530, 530T, MJ	1	EA	
1	023252-012	SRV DOOR SKIN KIT, VDSC530, 530T, VB	1	EA	
1	023252-013	SRV DOOR SKIN KIT, VDSC530, 530T, CB	1	EA	
1	023252-015	SRV DOOR SKIN KIT, VDSC530, 530T, PL	1	EA	Not available online / Call for pricing and availability
1	023252-016	SRV DOOR SKIN KIT, VDSC530, 530T, CH	1	EA	
1	023252-017	SRV DOOR SKIN KIT, VDSC530, 530T, TP	1	EA	
1	023252-018	SRV DOOR SKIN KIT, VDSC530, 530T, CW NLA	1	EA	
1	023252-021	SRV DOOR SKIN KIT, VDSC530, 530T, SA	1	EA	
1	023252-022	SRV DOOR SKIN KIT, VDSC530, 530T, SE	1	EA	
1	023252-023	SRV DOOR SKIN KIT, VDSC530, 530T, IB	1	EA	Not available online / Call for pricing and availability
1	023252-024	SRV DOOR SKIN KIT, VDSC530, 530T, AR	1	EA	
1	023252-025	SRV DOOR SKIN KIT, VDSC530, 530T, RR	1	EA	





Item	Part No.	Name	Qty	Uom	NOTES
2	003012-000	DOOR HANDLE ENDCAP ASSY, RH (CHROME)	1	EA	
2	003012-100	DOOR HANDLE ENDCAP ASSY, RH (BRASS) - NLA	1	EA	
<p>Comments for Part Num. 003012-100</p> <p>parts@lvdistributes.com on Apr 23, 2018</p> <p>number 16 brass end cap should be number 15</p>					
3	PE060105	30" J-MOLD (CHROME)	1	EA	
3	PE060105BR	30" J-MOLD (BRASS) NOT FIELD REPLACEABLE	1	EA	Not available online / Call for pricing and availability
4	PE010016	LOGO (ALL RANGES) *BK/CHR 307997W	1	EA	
4	PE010079	4.5" LOGO/VIKING PROF *BK/BR	1	EA	
4	PE010017	LOGO (VGSO,VEDO,VGDO,VUD) *WH/CHR	1	EA	
4	PE010080	4.5" LOGO/VIKING PROF *WH/BR	1	EA	
5	PD030006	CAPPED WASHER PAL NUT	2	EA	
6	003011-000	DOOR HANDLE ENDCAP ASSY, LH (CHROME)	1	EA	
6	003011-100	DOOR HANDLE ENDCAP ASSY, LH (BRASS)	1	EA	
7	002728-000	DOOR HANDLE - SS, 1.25" 29.5	1	EA	
7	002728-100	DOOR HANDLE - BRASS PVD, 1.25" OD - NLA	1	EA	NO LONGER AVAILABLE
8	PD020073	SRW #10 X 24 X 3/8 WAFER HD TYPE23	4	EA	
9	006788-000	INSULATION,DOOR, TOP,SUPE RWOOL,.25,VDSC530	1	EA	
10	002732-000	DOOR SKIN MOUNTING BRACKET ASSY	1	EA	
11	004176-000	DOOR SKIN INSULATION RETAINER ASSY	1	EA	
12	PD020063	SCREW-#8(A) X 3/8"PH WFR HD/BK OXID	8	EA	
13	006808-000	HINGE, BRACKET, LH	1	EA	



Item	Part No.	Name	Qty	Uom	NOTES
14	004152-000	DOOR LINER INSULATION RETAINER, 30"	1	EA	
15	000594-000	BLACK FIBERGLASS ROPE 3/8"	1	EA	
16	004153-000	DOOR GLASS HOLDER BRACKET	1	EA	
17	015412-000	DOOR LINER SPOTWELD ASM	1	EA	
<p>Comments for Part Num. 015412-000</p> <p>bradleysapplianceservice@shaw.ca on Jan 10, 2020</p> <p>IF REQUIRED: PB070246 DOOR GASKET 30"</p>					
18	PE060094	30" WINDOW PACK	1	EA	
19	002740-000	DOOR HINGE	2	EA	See TC-0121-SP Service Bulletin
20	PD020032	SRW-8(A)X3/8"PH.WFR HD 7/16DIA*NICL	6	EA	
21	006807-000	HINGE, BRACKET, RH	1	EA	
22	PD030010	#10-24 KEPS NUT ZINC PLATED	10	EA	
23	004907-000	STEEL FINISHING PLUG, NICKEL PLTD 25/64" HOLE	4	EA	
24	030823-000	#10-32 PAN HEAD PHILLIPS MACHINE SCREW	8	EA	
25	002726-000	DOOR SKIN SIDE BRACKET	2	EA	
26	023702-000	HOLDER, WINDOW, 30" DUAL FUEL	1	EA	Not available online / Call for pricing and availability
27	002724-000	DOOR SKIN HEAT SINK, 30"	1	EA	
28	PE060090	30" PROF. OUTER DOOR GLASS	1	EA	
29	006787-000	INSULATION,DOOR,SIDE,SUPE RWOOL,.25,VDSC530	2	EA	
NI	003779-000	DOOR ASSEMBLY - STAINLESS	1	EA	
NI	005514-002	DOOR ASSEMBLY - 30", PAINTED *BK*	1	EA	
NI	005514-003	DOOR ASSEMBLY - 30", PAINTED *BT*	1	EA	
NI	005514-004	DOOR ASSEMBLY - 30", PAINTED *SG*	1	EA	



Item	Part No.	Name	Qty	Uom	NOTES
NI	005514-005	DOOR ASSEMBLY - 30", PAINTED *GG*	1	EA	
NI	005514-006	DOOR ASSEMBLY - 30", PAINTED *WH*	1	EA	
NI	005514-008	DOOR ASSEMBLY - 30", PAINTED *BU*	1	EA	
NI	005514-009	DOOR ASSEMBLY - 30", PAINTED *LE*	1	EA	
NI	005514-010	DOOR ASSEMBLY - 30", PAINTED *MJ*	1	EA	
NI	005514-012	DOOR ASSEMBLY - 30", PAINTED *VB*	1	EA	
NI	005514-013	DOOR ASSEMBLY - 30", PAINTED *CB*	1	EA	
NI	005514-015	DOOR ASSEMBLY - 30", PAINTED *PL*	1	EA	
NI	005514-016	DOOR ASSEMBLY - 30", PAINTED *CH*	1	EA	
NI	005514-017	DOOR ASSEMBLY - 30", PAINTED *TP*	1	EA	
NI	005514-018	DOOR ASSEMBLY - 30", PAINTED *CW* NLA	1	EA	
NI	005514-019	DOOR ASSEMBLY - 30", PAINTED *OG*	1	EA	
NI	005514-020	DOOR ASSEMBLY - 30", PAINTED *GM*	1	EA	
NI	005514-021	DOOR ASSEMBLY - 30", PAINTED *SA*	1	EA	
NI	005514-022	DOOR ASSEMBLY - 30", PAINTED *SE*	1	EA	
NI	005514-023	DOOR ASSEMBLY - 30", PAINTED *IB*	1	EA	
NI	005514-024	DOOR ASSEMBLY - 30", PAINTED *AR*	1	EA	Not available online / Call for pricing and availability
NI	005514-025	DOOR ASSEMBLY - 30", PAINTED *RR*	1	EA	
NI	005514-026	DOOR ASSEMBLY - 30", PAINTED *PM*	1	EA	
NI	005514-027	DOOR ASSEMBLY - 30", PAINTED *MS*	1	EA	
NI	003779-100	DOOR ASSEMBLY - 30" SS/BR	1	EA	

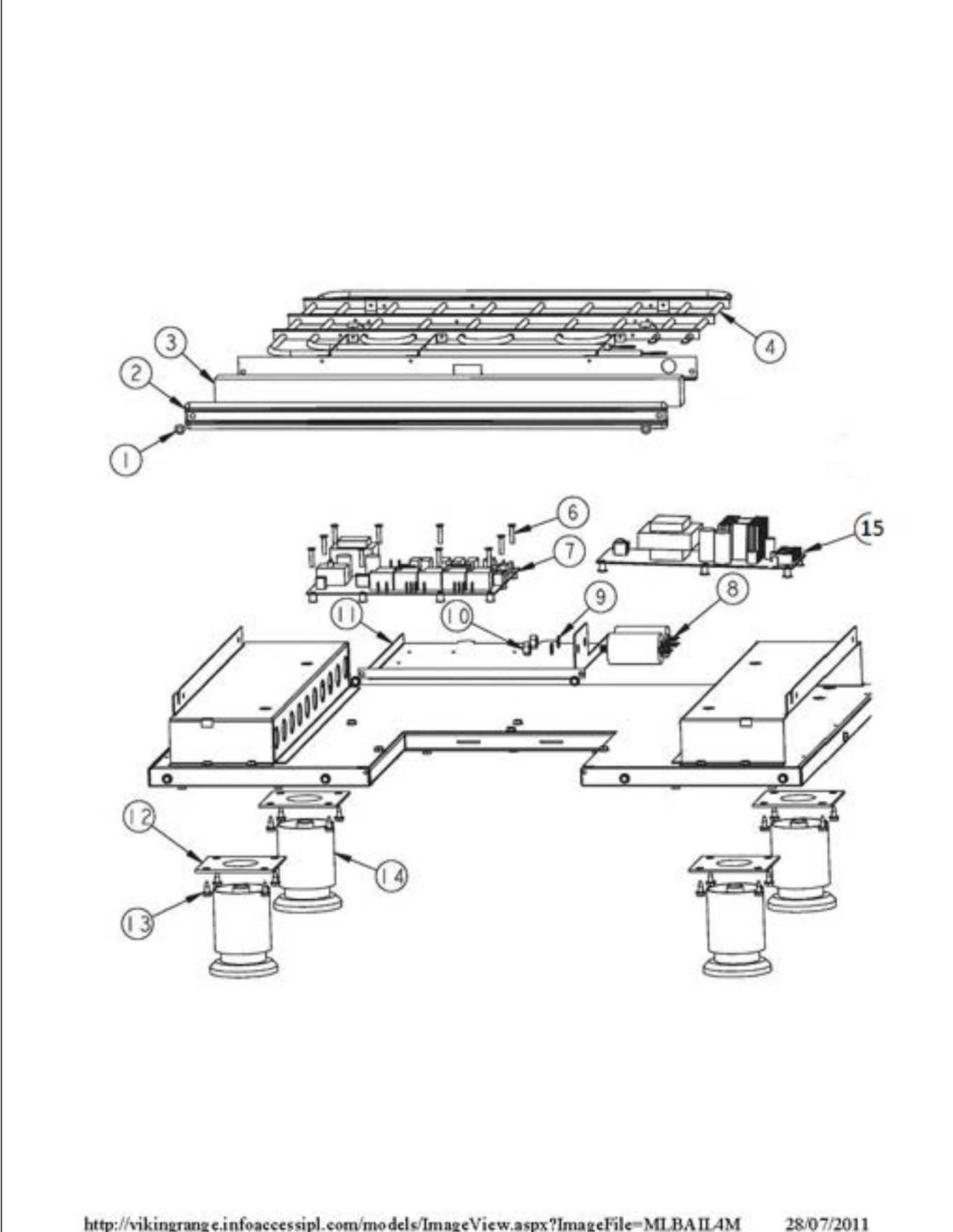


Item	Part No.	Name	Qty	Uom	NOTES
NI	005514-102	DOOR ASSEMBLY - 30", PAINTED *BKBR*	1	EA	
NI	005514-103	DOOR ASSEMBLY - 30", PAINTED *BTBR*	1	EA	Not available online / Call for pricing and availability
NI	005514-104	DOOR ASSEMBLY - 30", PAINTED *SGBR*	1	EA	Not available online / Call for pricing and availability
NI	005514-105	DOOR ASSEMBLY - 30", PAINTED *GGBR*	1	EA	Not available online / Call for pricing and availability
NI	005514-106	DOOR ASSEMBLY - 30", PAINTED *WHBR*	1	EA	Not available online / Call for pricing and availability
NI	005514-108	DOOR ASSEMBLY - 30", PAINTED *BUBR*	1	EA	Not available online / Call for pricing and availability
NI	005514-109	DOOR ASSEMBLY - 30", PAINTED *LEBR*	1	EA	Not available online / Call for pricing and availability
NI	005514-110	DOOR ASSEMBLY - 30", PAINTED *MJBR*	1	EA	Not available online / Call for pricing and availability
NI	005514-112	DOOR ASSEMBLY - 30", PAINTED *VBBR*	1	EA	Not available online / Call for pricing and availability
NI	005514-113	DOOR ASSEMBLY - 30", PAINTED *CBBR*	1	EA	Not available online / Call for pricing and availability
NI	005514-115	DOOR ASSEMBLY - 30", PAINTED *PLBR*	1	EA	Not available online / Call for pricing and availability
NI	005514-116	DOOR ASSEMBLY - 30", PAINTED *CHBR*	1	EA	Not available online / Call for pricing and availability
NI	005514-117	DOOR ASSEMBLY - 30", PAINTED *TPBR*	1	EA	Not available online / Call for pricing and availability



Item	Part No.	Name	Qty	Uom	NOTES
NI	005514-118	DOOR ASSEMBLY - 30", PAINTED *CWBR*	1	EA	Not available online / Call for pricing and availability
NI	005514-119	DOOR ASSEMBLY - 30", PAINTED *OGBR*	1	EA	Not available online / Call for pricing and availability
NI	005514-120	DOOR ASSEMBLY - 30", PAINTED *GMBR*	1	EA	Not available online / Call for pricing and availability
NI	005514-121	DOOR ASSEMBLY - 30", PAINTED *SABR*	1	EA	Not available online / Call for pricing and availability
NI	005514-122	DOOR ASSEMBLY - 30", PAINTED *SEBR*	1	EA	Not available online / Call for pricing and availability
NI	005514-123	DOOR ASSEMBLY - 30", PAINTED *IBBR*	1	EA	Not available online / Call for pricing and availability
NI	005514-124	DOOR ASSEMBLY - 30", PAINTED *ARBR*	1	EA	Not available online / Call for pricing and availability
NI	005514-125	DOOR ASSEMBLY - 30", PAINTED *RRBR*	1	EA	Not available online / Call for pricing and availability
NI	005514-126	DOOR ASSEMBLY - 30", PAINTED *PMBR*	1	EA	Not available online / Call for pricing and availability
NI	005514-127	DOOR ASSEMBLY - 30", PAINTED *MSBR*	1	EA	Not available online / Call for pricing and availability
NI	PB070246	30" DOOR GASKET	1	EA	

LOWER UNIT AREA





Item	Part No.	Name	Qty	Uom	NOTES
1	PD020063	SCREW-#8(A) X 3/8"PH WFR HD/BK OXID	2	EA	
2	E9109655	BAKE TRAY COVER	1	EA	
3	013547-000	BAKE ELEMENT INSULATION	1	EA	
4	PJ010048	BAKE ELEMENT	1	EA	
6	PD020043	#6-32 X .750 PH. CTRSK T(F)-VGSO166	13	EA	
7	002406-000	CONTROL BOARD	1	EA	
<p>Comments for Part Num. 002406-000</p> <p>haarnink@vikingrange.com on Jun 18, 2015</p> <p>For the international E Model numbers EVVDS5 we need to add the info that sins First unit was EVVDS530S4B: 092314C10147281 any EVVDS built in 2014 went into production with EOC4. so here we need to add the part number 014000-000 EOC4 plus the SMPS part number 013999-000</p>					
Not Shown	NOTE	(BEFORE 6/15/15)		EA	
NI	005292-000	HARN,HEADER, MODEL 5 (SEE MODEL_HEADER)	1	EA	
NI	PE070734	HARN, HEADER, MODEL 14 (SEE (MODEL_HEADER)	1	EA	
8	036047-000	CAPACITOR, CONV MOTOR, INTL	2	EA	
9	PD040164	5/16 INTERNAL TOOTH LOCK WASHER TYPE A	2	EA	
10	PD030172	M8 X 1.25MM NUT	2	EA	
11	015096-000	PLATE, MTG, EOC4 CONTROL BOARD	1	EA	
12	PC030007	LEG PLATE - 3/4" THREADED HOLE	4	EA	
13	003860-000	10-18 x .500 FASTNR,SCR,HXWH,STL,ZPLT	16	EA	
14	044178-000	RANGE, LEG, ADJUSTABLE	4	EA	
15	038417-000	EOC4 POWER SUPPLY BOARD, CB	1	EA	
Not Shown	NOTE	(ON OR AFTER 06/15/15)		EA	
NI	048457-000	INSULATION KIT #10	1	EA	
NI	021340-000	LINEAR POWER SUPPLY, SINGLE	1	EA	



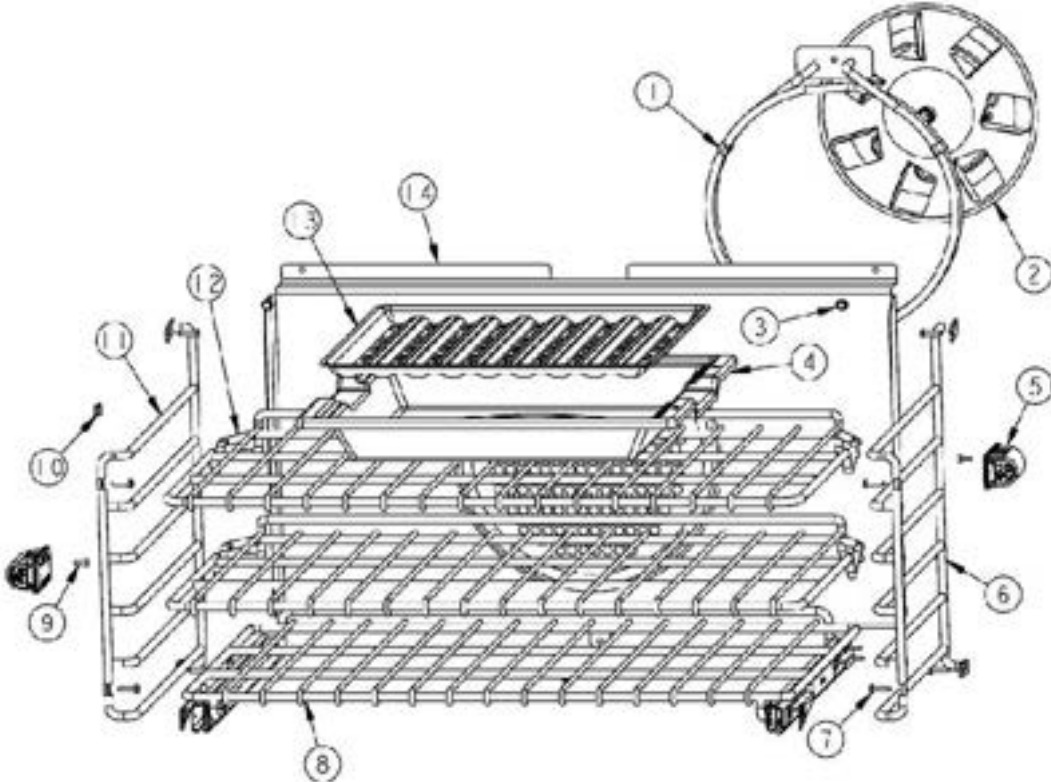
Item	Part No.	Name	Qty	Uom	NOTES
Not Shown	NOTE	(ON OR AFTER 06/15/15)		EA	



OVEN INTERIOR

ImageView

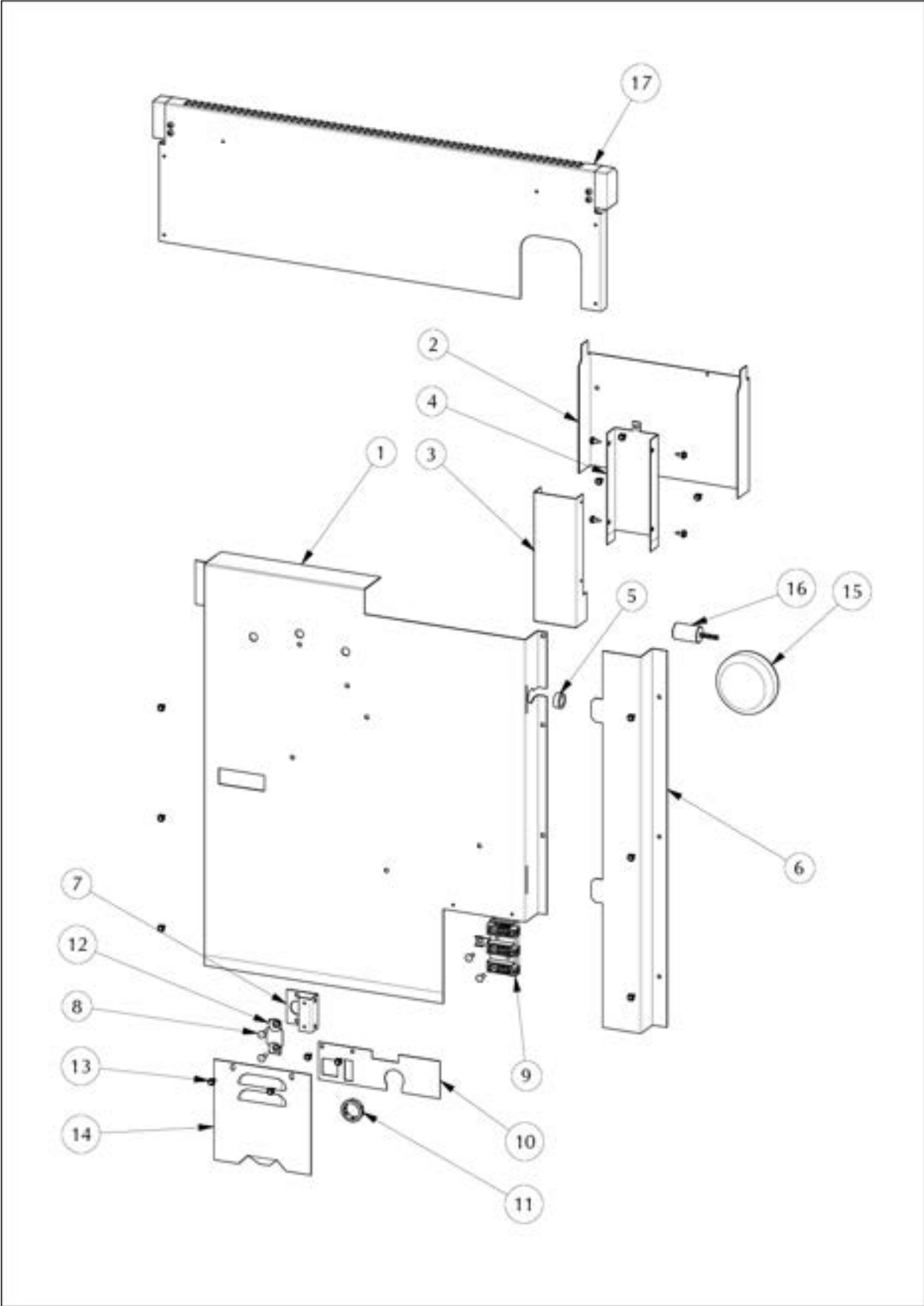
Page 1 of 1





Item	Part No.	Name	Qty	Uom	NOTES
1	PJ010047	CONVECTION ELEMENT	1	EA	
2	G32014020	CONVECTION FAN ASSY	1	EA	
3	003860-000	10-18 x .500 FASTNR,SCR,HXWH,STL,ZPLT	5	EA	
4	E9107933	BROILER PAN	1	EA	
5	068653-601	LIGHT, 120V/25W, G9, HALOGEN, SIDE	2	EA	
NI	018022-000	CAPSULE LAMP G9 25W 230V	2	EA	
6	066478-402	SUPPORT, RACK, RHS, PORCELAIN	1	EA	
7	PD020232	#8 X 3/4" PH PAN HEAD TEK SCREW (BLACK OXIDE)	8	EA	
8	024102-000	PULLOUT RACK, 30"	1	EA	
9	PD020067	#6 X 3/8" PAN PHIL. TEK *SS*	2	EA	
10	E91014053	PORCELAIN 25/64" HOLE PLUG	1	EA	Not available online / Call for pricing and availability
11	066479-402	SUPPORT, RACK, LHS, PORCELAIN	1	EA	
12	PB060107	30" OVEN RACK	2	EA	
13	E9107934	BROILER PAN INSERT - NLA	1	EA	
14	G91013598	30" BAFFLE ASSEMBLY	1	EA	

REAR UNIT AREA



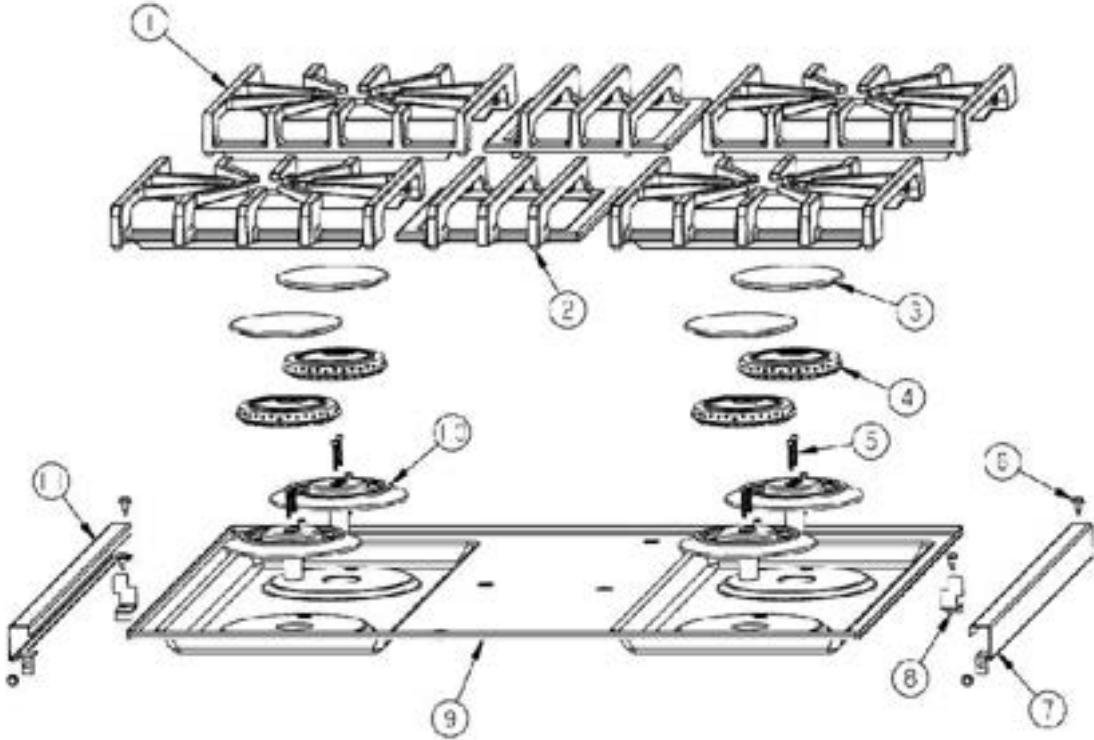


Item	Part No.	Name	Qty	Uom	NOTES
1	003272-000	COVER, BACK-INTERNATIONAL	1	EA	
2	003681-000	DUCT, AIR	1	EA	
3	A20010101	FLUE, OUTSIDE SHELL	1	EA	
4	A20010102	FLUE, CENTER EXTENDED	1	EA	
5	PD040005	SNAP BUSHING - 7/8"	1	EA	
6	003245-000	CHANNEL, WIRE, REAR	1	EA	
7	A2002195	POWER CORD MOUNTING BRKT (VDSC)	1	EA	
8	PD020014	10X3/4 PH TR HD SMS	1	EA	
9	PE070147	TERMINAL BLOCK (VDSC)	1	EA	
10	003702-000	PLATE,MOUNTING,TEST CONNECTOR	1	EA	Not available online / Call for pricing and availability
11	PD040152	SNAP BUSHING	1	EA	
12	A1002457	POWER CORD MOUNTING STRAP (VDSC)	1	EA	
13	003860-000	10-18 x .500 FASTNR,SCR,HXWH,STL,ZPLT	16	EA	
14	A2002454	BACK, COVER ACCESS DOOR	1	EA	
15	018201-000	TRANSFO 160VA (AMPL-3N1756)	1	EA	
16	PJ030038	EMC FILTER	1	EA	
17	004464-000	TRIM, IS, ASM, REDESIGN, 30"	1	EA	
Not Shown	NOTE	(BEFORE 01/17/13)		EA	
17	041445-000	TRIM, IS, ASSY, 30"	1	EA	
Not Shown	NOTE	(ON OR AFTER 01/17/13)		EA	

SURFACE COOKING AREA

ImageView

Page 1 of 1



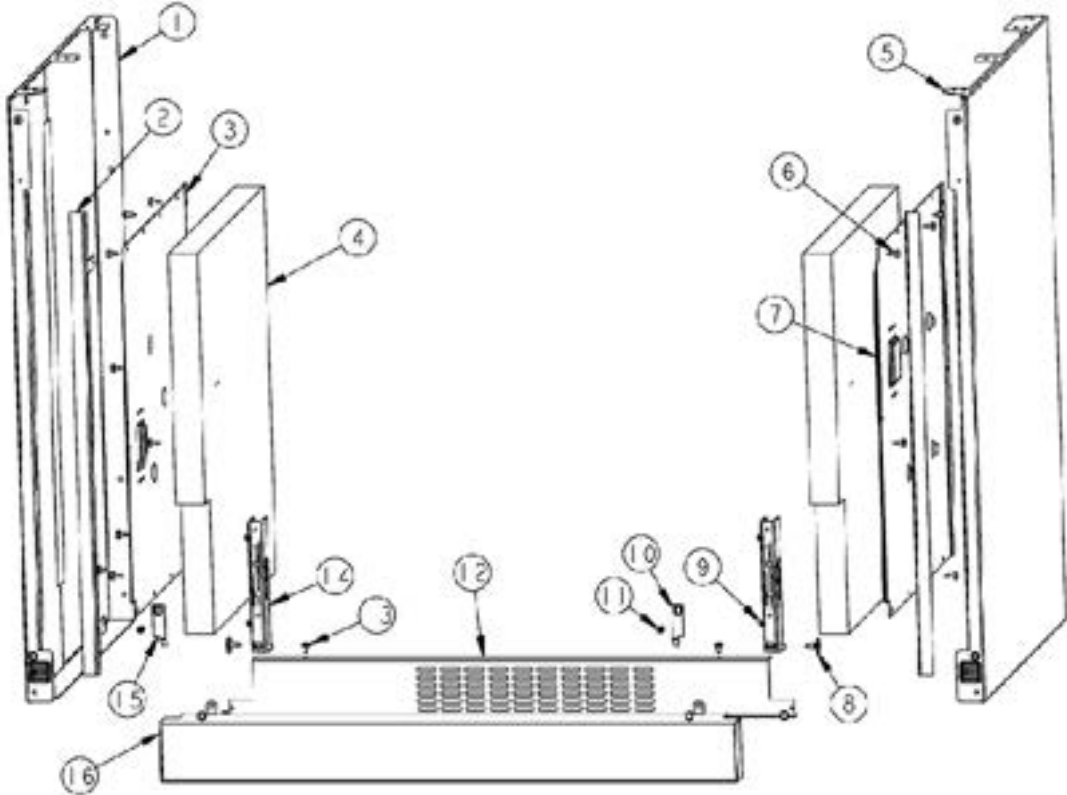


Item	Part No.	Name	Qty	Uom	NOTES
1	007323-000	BURNER GRATE	4	EA	
Not Shown	NOTE	(BEFORE 11/21/14)		EA	
1	049420-000	GRATE, BURNER, ASM	4	EA	
Not Shown	NOTE	(ON OR AFTER 11/21/14)		EA	
Not Shown	NOTE	(BEFORE 11/21/14)		EA	
NI	049416-000	BUMBER, GRATE	16	EA	
Not Shown	NOTE	(ON OR AFTER 11/21/14)		EA	
2	002907-000	CENTER GRATE, REDESIGN	2	EA	
Not Shown	NOTE	(BEFORE 12/4/14)		EA	
2	049426-000	GRATE, CENTER, ASM	2	EA	
Not Shown	NOTE	(ON OR AFTER 12/4/14)		EA	
NI	074892-000	RUBBER FOOT	8	EA	
Not Shown	NOTE	(BEFORE 12/4/14)		EA	
NI	049416-000	BUMBER, GRATE	8	EA	
Not Shown	NOTE	(ON OR AFTER 12/4/14)		EA	
3	066958-000	D BURNER CAP *MATTE BLACK*	4	EA	
4	018200-000	ADJUSTED SEALED BURNER HEAD	4	EA	
5	009197-000	#6-32 X 5/8 18-8 SS NC SOC CAP	8	EA	
6	003860-000	10-18 x .500 FASTNR,SCR,HXWH,STL,ZPLT	4	EA	
7	002920-000	TOP TRIM RING, RH	1	EA	
8	004021-000	SUPPORT,TRIM,SIDE	2	EA	
9	E9107413BK	MAIN TOP 30" *BK*	1	EA	
10	003322-041	SEALED BURNER BASE, PAINTED FINISH- GRAY	4	EA	
11	003649-000	TOP TRIM RING, LH	1	EA	

UNIT EXTERIOR

ImageView

Page 1 of 1





Item	Part No.	Name	Qty	Uom	NOTES
1	003588-000	SIDE PANEL, LH, SS	1	EA	
1	005505-002	PANEL, SIDE, DECARB, RH, BK	1	EA	
1	005505-003	SIDE PANEL, LH ASSY, PAINTED BT	1	EA	
1	005505-004	SIDE PANEL, LH ASSY, PAINTED SG	1	EA	
1	005505-005	PANEL, SIDE, DECARB, RH, GG	1	EA	
1	005505-006	PANEL, SIDE, DECARB, RH, WH	1	EA	NO LONGER AVAILABLE
1	005505-008	PANEL, SIDE, DECARB, RH, BU	1	EA	
1	005505-009	SIDE PANEL, LH ASSY, PAINTED LE	1	EA	
1	005505-010	SIDE PANEL, LH ASSY, PAINTED MJ	1	EA	
1	005505-012	SIDE PANEL, LH ASSY, PAINTED VB	1	EA	
1	005505-013	PANEL, SIDE, DECARB, RH, CB	1	EA	
1	005505-015	SIDE PANEL, LH ASSY, PAINTED PL	1	EA	
1	005505-016	SIDE PANEL, LH ASSY, PAINTED CH	1	EA	
1	005505-017	SIDE PANEL, LH ASSY, PAINTED TP	1	EA	
1	005505-018	SIDE PANEL, LH ASSY, PAINTED CW	1	EA	
1	005505-020	SIDE PANEL, LH ASSY, PAINTED GM	1	EA	
1	005505-021	SIDE PANEL, LH ASSY, PAINTED SA	1	EA	
1	005505-022	SIDE PANEL, LH ASSY, PAINTED SE	1	EA	
1	005505-023	SIDE PANEL, LH ASSY, PAINTED IB	1	EA	
1	005505-024	PANEL, SIDE, DECARB, RH, AR	1	EA	
1	005505-025	SIDE PANEL, LH ASSY, PAINTED RR	1	EA	
2	003644-000	TRIM,FRONT,SIDE,STAINLESS	1	EA	
3	A20012650	BRKT, TOP WRAPPER LEFT	2	EA	Not available online / Call for pricing and availability
4	PB070302	SIDE INSULATION	2	EA	





Item	Part No.	Name	Qty	Uom	NOTES
5	002905-000	SIDE PANEL, RH, SST	1	EA	
5	004645-002	SIDE PANEL, RH ASSY, PAINTED BK	1	EA	
5	004645-003	SIDE PANEL, RH ASSY, PAINTED BT	1	EA	
5	004645-004	SIDE PANEL, RH ASSY, PAINTED SG	1	EA	
5	004645-005	SIDE PANEL, RH ASSY, PAINTED GG	1	EA	
5	004645-006	SIDE PANEL, RH ASSY, PAINTED WH	1	EA	
5	004645-008	SIDE PANEL, RH ASSY, PAINTED BU	1	EA	
5	004645-009	SIDE PANEL, RH ASSY, PAINTED LE	1	EA	
5	004645-010	SIDE PANEL, RH ASSY, PAINTED MJ	1	EA	
5	004645-012	SIDE PANEL, RH ASSY, PAINTED VB	1	EA	
5	004645-013	SIDE PANEL, RH ASSY, PAINTED CB	1	EA	
5	004645-015	SIDE PANEL, RH ASSY, PAINTED PL	1	EA	
5	004645-016	SIDE PANEL, RH ASSY, PAINTED CH	1	EA	
5	004645-017	SIDE PANEL, RH ASSY, PAINTED TP	1	EA	
5	004645-018	SIDE PANEL, RH ASSY, PAINTED CW	1	EA	
5	004645-020	SIDE PANEL, RH ASSY, PAINTED GM	1	EA	
5	004645-021	SIDE PANEL, RH ASSY, PAINTED SA	1	EA	
5	004645-022	SIDE PANEL, RH ASSY, PAINTED SE	1	EA	
5	004645-023	SIDE PANEL, RH ASSY, PAINTED IB	1	EA	
5	004645-024	SIDE PANEL, RH ASSY, PAINTED AR	1	EA	
5	004645-025	SIDE PANEL, RH ASSY, PAINTED RR	1	EA	
6	003860-000	10-18 x .500 FASTNR,SCR,HXWH,STL,ZPLT	16	EA	

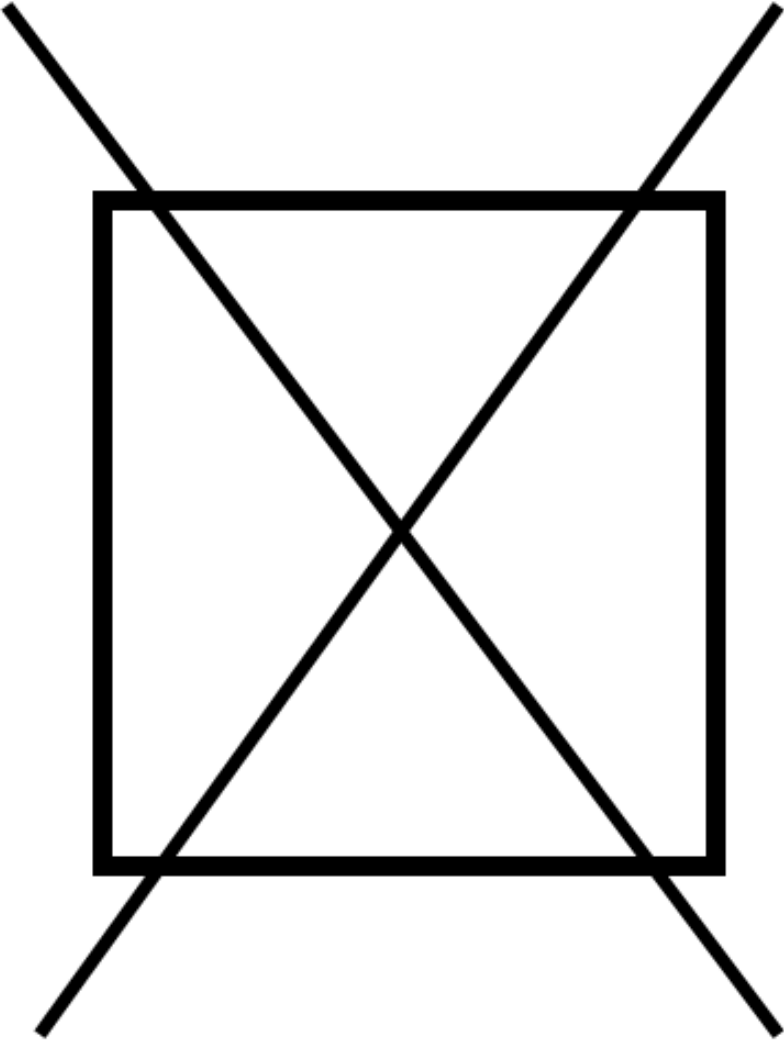


Item	Part No.	Name	Qty	Uom	NOTES
7	A2009622	BRKT, TOP WRAPPER, RIGHT	1	EA	Not available online / Call for pricing and availability
8	014143-000	SCR 10-12 A SHLD TRP 1/2 S ZN BLUE	2	EA	
9	PD020062	#8-32 X 3/8 PHMS TYPE 1	1	EA	
10	B21010915	RH HINGE CLIP	1	EA	
11	PD020061	' #8 X 3/4 FLAT HD TEK. *SS*	1	EA	
12	051832-000	GRILL, ACS, LWR, 30"	1	EA	
13	PD020032	SRW-8(A)X3/8"PH.WFR HD 7/16DIA*NICL	4	EA	
14	031679-000	RECEPTACLE, HINGE	1	EA	
15	B21010916	LH HINGE CLIP	1	EA	
16	002910-000	KICKPLATE - STAINLESS	1	EA	
16	038461-002	PANEL, ACS, LWR, KICKPLATE, DCBZ BK	1	EA	
16	005508-003	KICKPLATE, BT	1	EA	Not available online / Call for pricing and availability
16	005508-004	KICKPLATE, SG	1	EA	Not available online / Call for pricing and availability
16	005508-005	KICKPLATE, GG	1	EA	Not available online / Call for pricing and availability
16	038461-006	PANEL, ACS, LWR, KICKPLATE, DCBZ WH	1	EA	
16	005508-008	KICKPLATE, BU	1	EA	
16	005508-009	KICKPLATE, LE	1	EA	Not available online / Call for pricing and availability
16	005508-010	KICKPLATE, MJ	1	EA	Not available online / Call for pricing and availability
16	005508-012	KICKPLATE, VB	1	EA	Not available online / Call for pricing and availability
16	038461-013	PANEL, ACS, LWR, KICKPLATE, DCBZ CB	1	EA	



Item	Part No.	Name	Qty	Uom	NOTES
16	005508-015	KICKPLATE, PL	1	EA	NO LONGER AVAILABLE, Not available online / Call for pricing and availability
16	005508-016	KICKPLATE, CH	1	EA	Not available online / Call for pricing and availability
16	005508-017	KICKPLATE, TP	1	EA	Not available online / Call for pricing and availability
16	005508-018	KICKPLATE, CW	1	EA	Not available online / Call for pricing and availability
16	005508-021	KICKPLATE, SA	1	EA	Not available online / Call for pricing and availability
16	005508-022	KICKPLATE, SE	1	EA	Not available online / Call for pricing and availability
16	005508-023	KICKPLATE, IB	1	EA	Not available online / Call for pricing and availability
16	005508-024	KICKPLATE, AR	1	EA	Not available online / Call for pricing and availability
16	005508-025	KICKPLATE, RR	1	EA	Not available online / Call for pricing and availability

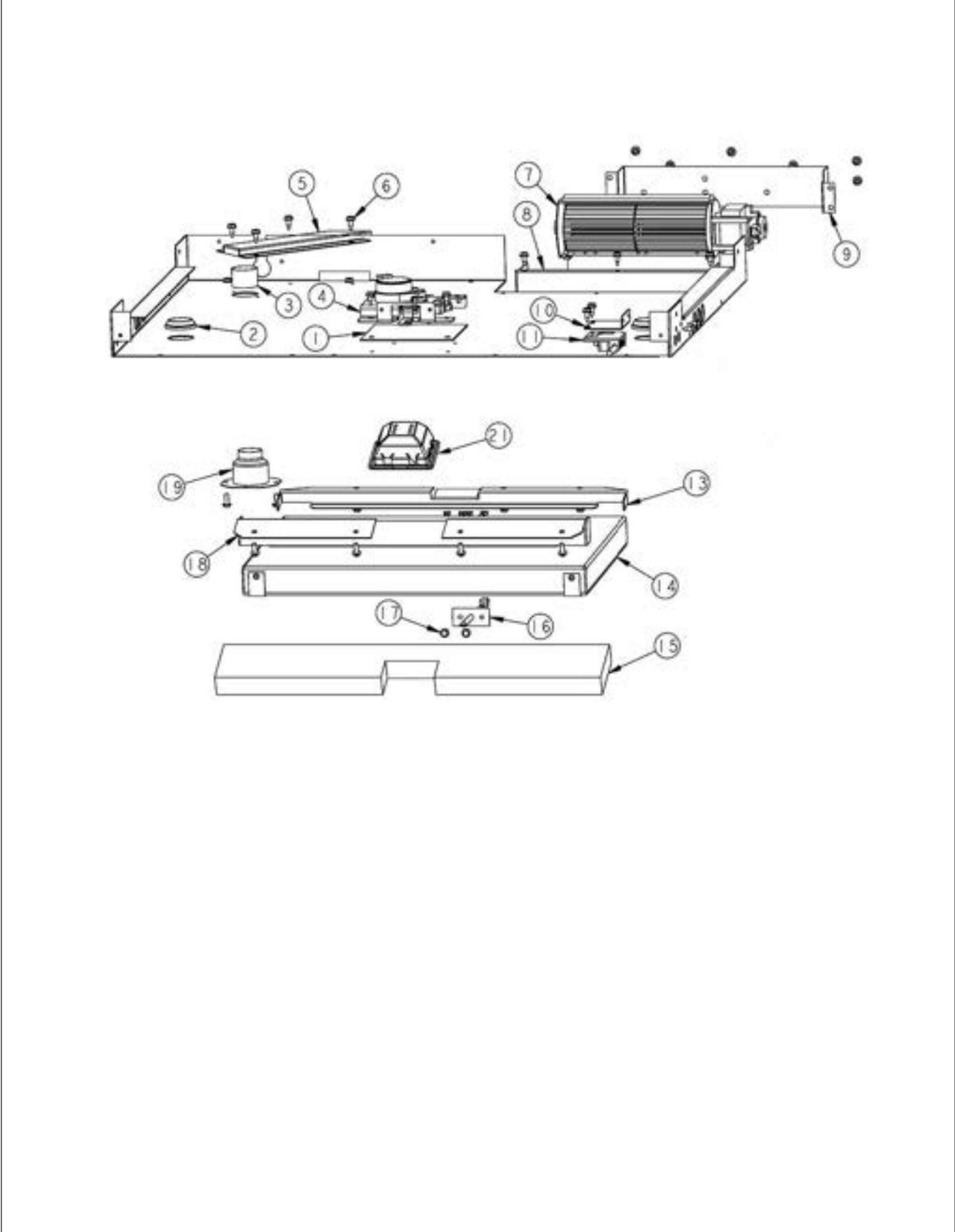
# NON ILLUSTRATED PART





Item	Part No.	Name	Qty	Uom	NOTES
NI	057979-000	HARN, RVDR3301-5B, MAIN	1	EA	
NI	004133-000	CONTROL PANEL HARNESS	1	EA	
NI	000915-000	LIMIT JUMPER	1	EA	
NI	018632-000	WIRE, IGNITOR, 38	1	EA	
NI	024869-000	RIBBON CABLE, RH	1	EA	

UPPER OVEN CAVITY





Item	Part No.	Name	Qty	Uom	NOTES
1	013564-000	LOWER LATCH INSULATION	1	EA	
2	PB070079	SILICONE EXTRUSION (DGSU)	3	EA	
3	PB020275	VENT TUBE	1	EA	
4	013250-000	LATCH,DOOR,ASM,240V,GRID DLE LOCKOUT	1	EA	
5	003333-000	DUCT, FLUE	1	EA	
6	003860-000	10-18 x .500 FASTNR,SCR,HXWH,STL,ZPLT	8	EA	
7	PE050250	Blower	1	EA	
<p>Comments for Part Num. PE050250</p> <p>highendappsvc@gmail.com on Jan 28, 2019</p> <p>If you need to replace cooling fan for the model vgsc5486gss serial date code 031412, do not order this fan, this fan is larger and configured wrong. The correct fan is 007794-000. it is smaller.</p>					
Not Shown	NOTE	Before February 2012		EA	
7	079169-000	FAN, COOLING, DUAL, 230V, 60 X 180mm	1	each	
Not Shown	NOTE	After February 2012		EA	
8	A2009659	BRACKET, FILLER, BLOWER	1	EA	
9	004110-000	Blower Mount	1	EA	
10	A20012649	DOOR SWITCH BRACKET	1	EA	
11	PE050208	DOOR SWITCH	1	EA	
13	024221-000	BRACKET, BROILER, REAR	1	EA	
14	024040-000	ELEMENT, RIBBON	1	EA	
15	013563-000	LINER FRONT INSULATION	1	EA	
16	PE050206	RTD THERMOSTAT PROBE	1	EA	
17	PD020048	NO.10 X 1/2 TEK 410 SS SCREW	2	EA	
18	024234-000	BRACKET, BROILER, FRONT	1	EA	
19	PM010014	SMOKE ELIMINATOR (VDSC)	1	EA	
21	068038-601	ASM, OVEN, LIGHT, 120V, 40W (REPLACEMENT LAMP USE 078926-000)	1	EA	
NI	018022-000	CAPSULE LAMP G9 25W 230V	1	EA	
NI	048458-000	INSULATION KIT #2	1	EA	



Appendix A:Pages Index

BURNER BOX ..... 1  
CONTROL AREA ..... 2  
DOOR ASSY ..... 3  
LOWER UNIT AREA ..... 4  
OVEN INTERIOR ..... 5  
REAR UNIT AREA ..... 6  
SURFACE COOKING AREA ..... 7  
UNIT EXTERIOR ..... 8  
UNIT WIRING ..... 9  
UPPER OVEN CAVITY ..... 10





Appendix B:Parts Index

000594-000	3	004152-000	3
000915-000	9	004153-000	3
002406-000	4	004176-000	3
002722-000	3	004464-000	6
002724-000	3	004645-002	8
002726-000	3	004645-003	8
002728-000	3	004645-004	8
002728-100	3	004645-005	8
002732-000	3	004645-006	8
002740-000	3	004645-008	8
002755-000	1	004645-009	8
002905-000	8	004645-010	8
002907-000	7	004645-012	8
002910-000	8	004645-013	8
002920-000	7	004645-015	8
002923-000	1	004645-016	8
002924-000	1	004645-017	8
002925-000	1	004645-018	8
002926-000	2	004645-020	8
003011-000	3	004645-021	8
003011-100	3	004645-022	8
003012-000	3	004645-023	8
003012-100	3	004645-024	8
003245-000	6	004645-025	8
003272-000	6	004907-000	3
003322-041	7	005269-000	2
003333-000	10	005292-000	4
003481-000	1	005505-002	8
003588-000	8	005505-003	8
003644-000	8	005505-004	8
003649-000	7	005505-005	8
003681-000	6	005505-006	8
003702-000	6	005505-008	8
003719-000	2	005505-009	8
003779-000	3	005505-010	8
003779-100	3	005505-012	8
003860-000	1, 2, 4, 5, 6, 7, 8, 10	005505-013	8
004021-000	7	005505-015	8
004110-000	10	005505-016	8
004133-000	9	005505-017	8
		005505-018	8



005505-020	8	005514-024	3
005505-021	8	005514-025	3
005505-022	8	005514-026	3
005505-023	8	005514-027	3
005505-024	8	005514-102	3
005505-025	8	005514-103	3
005508-003	8	005514-104	3
005508-004	8	005514-105	3
005508-005	8	005514-106	3
005508-008	8	005514-108	3
005508-009	8	005514-109	3
005508-010	8	005514-110	3
005508-012	8	005514-112	3
005508-015	8	005514-113	3
005508-016	8	005514-115	3
005508-017	8	005514-116	3
005508-018	8	005514-117	3
005508-021	8	005514-118	3
005508-022	8	005514-119	3
005508-023	8	005514-120	3
005508-024	8	005514-121	3
005508-025	8	005514-122	3
005514-002	3	005514-123	3
005514-003	3	005514-124	3
005514-004	3	005514-125	3
005514-005	3	005514-126	3
005514-006	3	005514-127	3
005514-008	3	006787-000	3
005514-009	3	006788-000	3
005514-010	3	006807-000	3
005514-012	3	006808-000	3
005514-013	3	007323-000	7
005514-015	3	009197-000	7
005514-016	3	009331-000	2
005514-017	3	013052-000	2
005514-018	3	013054-000	2
005514-019	3	013250-000	10
005514-020	3	013547-000	4
005514-021	3	013563-000	10
005514-022	3	013564-000	10
005514-023	3	014143-000	8



015096-000	4	030823-000	3
015412-000	3	031679-000	8
018001-000	1	036047-000	4
018018-000	2	038417-000	4
018019-000	2	038461-002	8
018022-000	5, 10	038461-006	8
018031-000	2	038461-013	8
018200-000	7	041445-000	6
018201-000	6	042721-507	1
018605-000	2	044178-000	4
018627-000	2	048457-000	4
018631-000	2	048458-000	10
018632-000	9	049416-000	7, 7
021336-000	2	049420-000	7
021340-000	4	049426-000	7
023252-002	3	050172-000	2
023252-003	3	051832-000	8
023252-004	3	057979-000	9
023252-005	3	066197-041	1
023252-006	3	066197-042	1
023252-008	3	066478-402	5
023252-009	3	066479-402	5
023252-010	3	066958-000	7
023252-012	3	068038-601	10
023252-013	3	068653-601	5
023252-015	3	074892-000	7
023252-016	3	079169-000	10
023252-017	3	A1002457	6
023252-018	3	A20010101	6
023252-021	3	A20010102	6
023252-022	3	A20012649	10
023252-023	3	A20012650	8
023252-024	3	A2002195	6
023252-025	3	A2002454	6
023702-000	3	A2009622	8
024040-000	10	A2009659	10
024102-000	5	B21010915	8
024221-000	10	B21010916	8
024234-000	10	E91014053	5
024869-000	9	E9107413BK	7
025711-2055	2	E9107933	5



E9107934	5	PE060090	3
E9109655	4	PE060094	3
G32014020	5	PE060105	3
G91013598	5	PE060105BR	3
PB020192	1	PE070147	6
PB020193	1	PE070734	4
PB020275	10	PJ010047	5
PB060107	5	PJ010048	4
PB070079	10	PJ030033	2
PB070246	3	PJ030035	2
PB070302	8	PJ030038	6
PC030007	4	PM010014	10
PD010012	2		
PD020014	6		
PD020032	2, 3, 8		
PD020043	4		
PD020046	2		
PD020048	10		
PD020061	8		
PD020062	8		
PD020063	3, 4		
PD020067	5		
PD020073	3		
PD020076	1, 2		
PD020232	5		
PD030006	3		
PD030010	3		
PD030172	4		
PD040004	2		
PD040005	6		
PD040106	2		
PD040152	6		
PD040164	4		
PE010016	3		
PE010017	3		
PE010079	3		
PE010080	3		
PE050072	2		
PE050206	10		
PE050208	10		
PE050250	10		