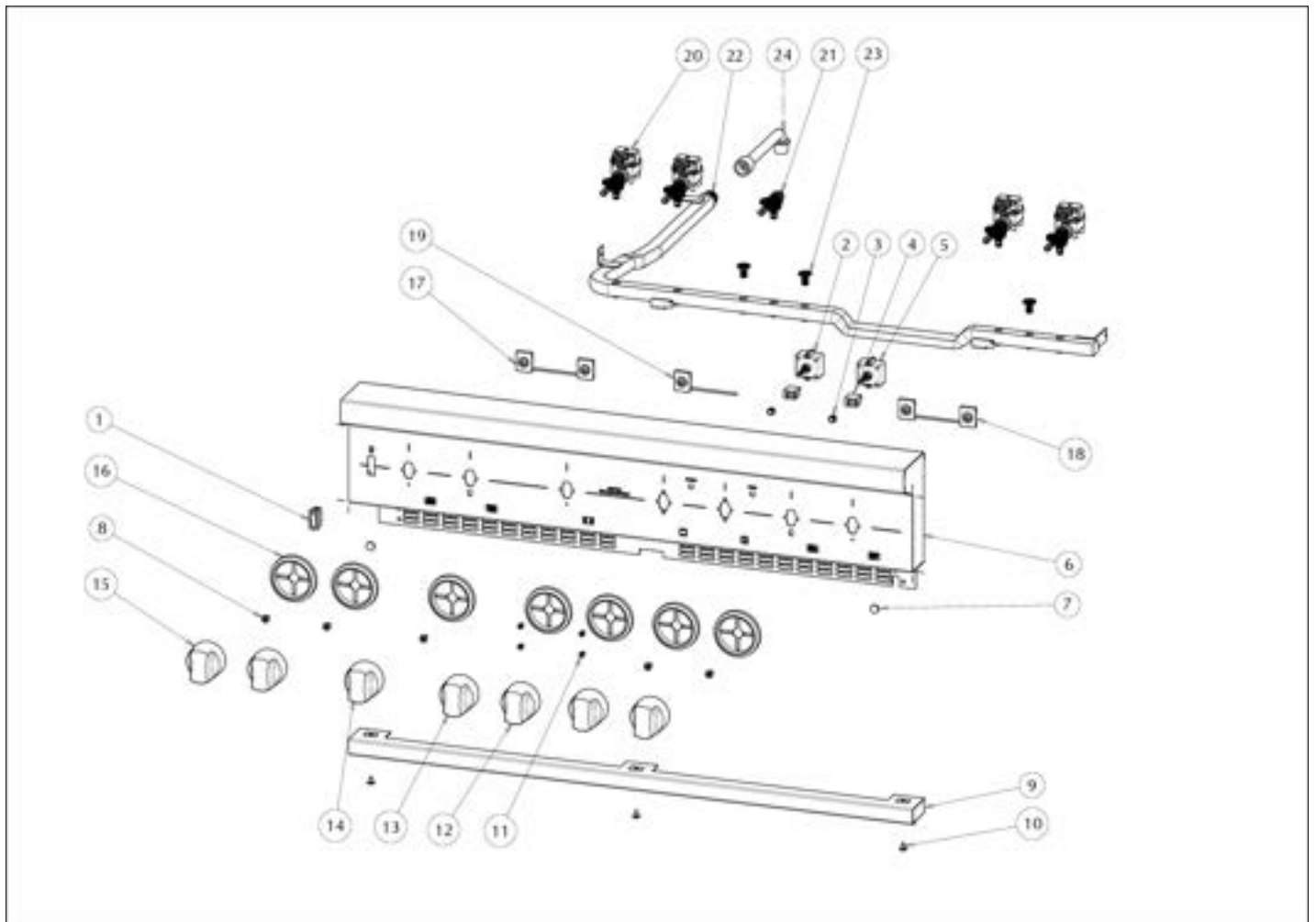


**EV DSC536-4Q**

CONTROL AREA .....	1
DOOR ASSY .....	2
LOWER UNIT AND SIDE PANELS .....	3
OVEN ELECTRONICS .....	4
OVEN INTERIOR .....	5
REAR SHEET METAL .....	6
SURFACE COOKING AREA .....	7
UNIT WIRING .....	8
Appendix A:Pages Index .....	A
Appendix B:Parts Index .....	B

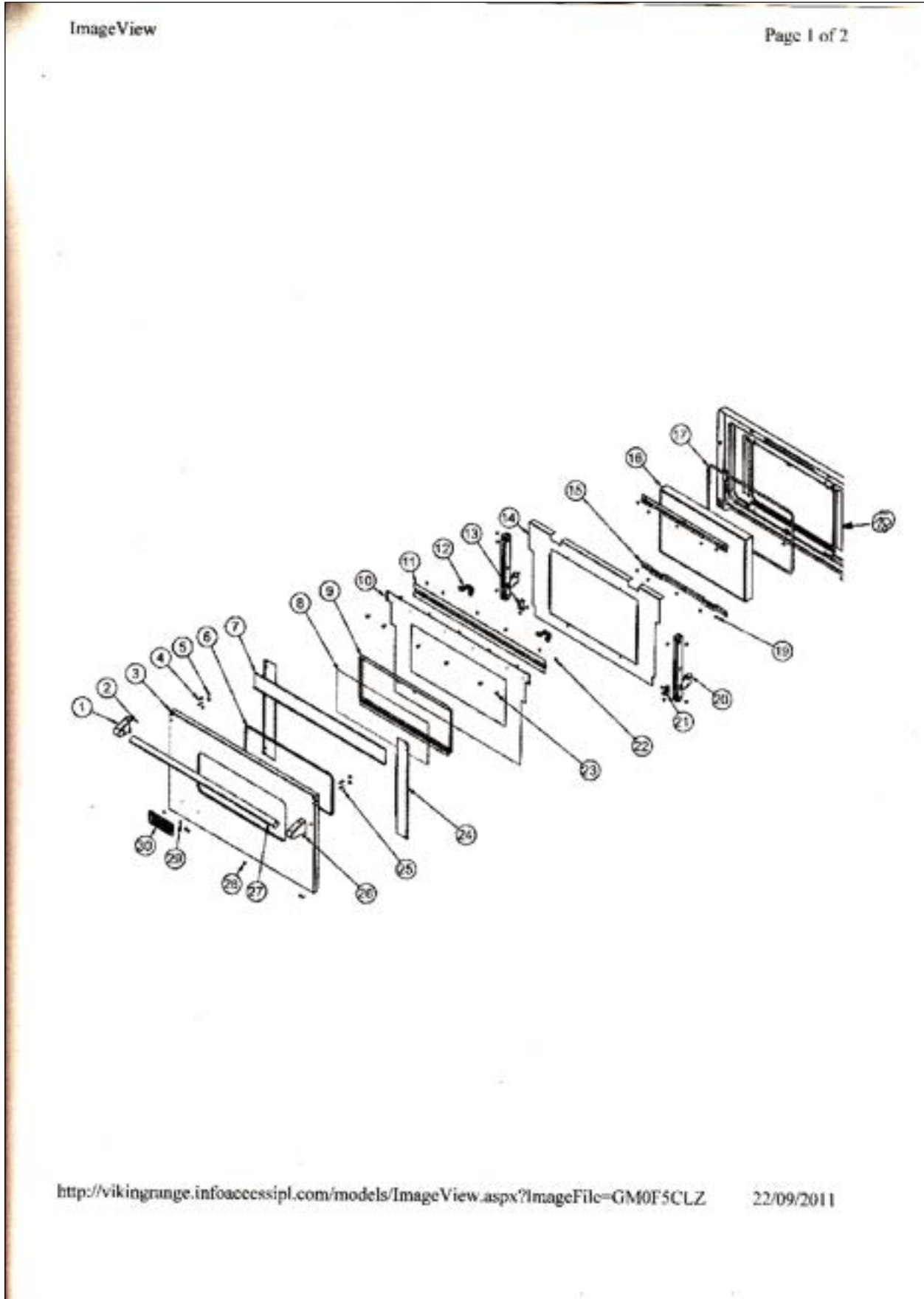
CONTROL AREA





Item	Part No.	Name	Qty	Uom	NOTES
1	003719-000	OVEN LIGHT SWITCH, BLACK	1	EA	
2	PJ030033	SELECTOR (10 POS)	1	EA	
3	021336-000	INDICATOR, LT, RED, CHROME BEZEL, LED	2	EA	
4	PE050072	LENS OPENING	2	EA	
5	PJ030035	THERMOSTAT	1	EA	
6	006464-000	CONTROL PANEL WELDED ASSY, 36" -4Q	1	EA	
7	PD040004	GROMMET BUMPER	2	EA	
8	PD020046	' #8 X 1/2 SCREWS	4	EA	
9	006299-000	HANDLE, DRIP, ASM, SST, VDSC 36"	1	EA	
10	PD020032	SRW-8(A)X3/8"PH.WFR HD 7/16DIA*NICL	3	EA	
11	PD020076	6-32 X 3/8" PHILL PAN MS	4	EA	
12	013052-000	THERMOSTAT KNOB SS EVDSC/EVGSC	1	EA	
13	013054-000	SELECTOR KNOB (10 POS) SS EVDSC	1	EA	
14	006574-000	KNOB, GRL, ASM, PVD, #3, SSS	1	EA	
15	005269-000	RANGE TOP BURNER KNOB- BRUSHED, SSS	4	EA	
16	050172-000	BEZEL, KNOB	7	EA	
17	018018-000	CE WIRE HARNESS -1	1	EA	
18	018019-000	CE WIRE HARNESS -2	1	EA	
19	018019-000	CE WIRE HARNESS -2	1	EA	
20	018605-000	VALVE & SOLENOID ASM	4	EA	
21	005480-000	MANIFOLD, GAS, VDSC36" -6B	1	EA	
22	002884-000	MANIFOLD PLUG	3	EA	
23	018031-000	GAS TUBE 174MM	1	EA	
NI	018627-000	COUPLING, 1/2" NPT/14 TPI	1	EA	
NI	018631-000	NIPPLE 5"	1	EA	
NI	PD040106	1/2" NPT-BSP ADAPTER	1	EA	
NI	006996-000	DOOR GASKET, 36"	1	EA	

DOOR ASSY





Item	Part No.	Name	Qty	Uom	NOTES
1	003011-000	DOOR HANDLE ENDCAP ASSY, LH (CHROME)	1	EA	
1	003011-100	DOOR HANDLE ENDCAP ASSY, LH (BRASS)	1	EA	
2	003650-000	SET SCREW	2	EA	
3	006079-000	DOOR SKIN - SS, 36"	1	EA	
3	009852-002	DOOR,SKIN,ASSY,36" BK	1	EA	
3	009852-003	DOOR SKIN ASM - BT, 36"	1	EA	
3	009852-004	DOOR SKIN ASM - SG, 36"	1	EA	
3	009852-005	DOOR,SKIN,ASSY,36" GG	1	EA	
3	009852-006	DOOR,SKIN,ASSY,36" WH	1	EA	
3	009852-008	DOOR,SKIN,ASSY,36" BU	1	EA	
3	009852-009	DOOR SKIN ASM - LE, 36"	1	EA	
3	009852-010	DOOR SKIN ASM - MJ, 36"	1	EA	
3	009852-012	DOOR SKIN ASM - VB, 36"	1	EA	
3	009852-013	DOOR,SKIN,ASSY,36" CB	1	EA	
3	009852-015	DOOR SKIN ASM - PL, 36"	1	EA	
3	009852-016	DOOR SKIN ASM - CH, 36"	1	EA	
3	009852-017	DOOR SKIN ASM - TP, 36"	1	EA	
3	009852-018	DOOR SKIN ASM - CW, 36" NLA	1	EA	
3	009852-019	DOOR SKIN ASM - OG, 36"	1	EA	
3	009852-020	DOOR SKIN ASM - GM, 36"	1	EA	
3	009852-021	DOOR SKIN ASM - SA, 36"	1	EA	
3	009852-022	DOOR SKIN ASM - SE, 36"	1	EA	
3	009852-023	DOOR SKIN ASM - IB, 36"	1	EA	
3	009852-024	DOOR,SKIN,ASSY,36" AR	1	EA	
3	009852-025	DOOR SKIN ASM - RR, 36"	1	EA	
3	009852-026	DOOR SKIN ASM - PM, 36"	1	EA	
3	009852-027	DOOR SKIN ASM - MS, 36"	1	EA	
3	006094-100	DOOR SKIN ASSY - SS/BR, 36"	1	EA	
3	009852-102	DOOR SKIN ASM - BK/BR, 36"	1	EA	
3	009852-103	DOOR SKIN ASM - BT/BR, 36"	1	EA	
3	009852-104	DOOR SKIN ASM - SG/BR, 36"	1	EA	
3	009852-105	DOOR SKIN ASM - CG/BR, 36"	1	EA	



Item	Part No.	Name	Qty	Uom	NOTES
3	009852-106	DOOR SKIN ASM - WH/BR, 36"	1	EA	
3	009852-108	DOOR SKIN ASM - BU/BR, 36"	1	EA	
3	009852-109	DOOR SKIN ASM - LE/BR, 36"	1	EA	
3	009852-110	DOOR SKIN ASM - MJ/BR, 36"	1	EA	
3	009852-112	DOOR SKIN ASM - VB/BR, 36"	1	EA	
3	009852-113	DOOR SKIN ASM - CB/BR, 36"	1	EA	
3	009852-115	DOOR SKIN ASM - PL/BR, 36"	1	EA	
3	009852-116	DOOR SKIN ASM - CH/BR, 36"	1	EA	
3	009852-117	DOOR SKIN ASM - TP/BR, 36"	1	EA	
3	009852-118	DOOR SKIN ASM - CW/BR, 36"	1	EA	
3	009852-119	DOOR SKIN ASM - OG/BR, 36"	1	EA	
3	009852-120	DOOR SKIN ASM - GM/BR, 36"	1	EA	
3	009852-121	DOOR SKIN ASM - SA/BR, 36"	1	EA	
3	009852-122	DOOR SKIN ASM - SE/BR, 36"	1	EA	
3	009852-123	DOOR SKIN ASM - IB/BR, 36"	1	EA	
3	009852-124	DOOR SKIN ASM - AR/BR, 36"	1	EA	
3	009852-125	DOOR SKIN ASM - RR/BR, 36"	1	EA	
3	009852-126	DOOR SKIN ASM - PM/BR, 36"	1	EA	
3	009852-127	DOOR SKIN ASM - MS/BR, 36"	1	EA	
4	030823-000	#10-32 PAN HEAD PHILLIPS MACHINE SCREW	4	EA	
5	004907-000	STEEL FINISHING PLUG, NICKEL PLTD 25/64" HOLE	4	EA	
6	PE060105	30" J-MOLD (CHROME)	1	EA	
7	006082-000	DOOR SKIN HEAT SINK, 36"	1	EA	
8	PE060090	30" PROF. OUTER DOOR GLASS	1	EA	
9	023702-000	HOLDER, WINDOW, 30" DUAL FUEL	1	EA	Not available online / Call for pricing and availability
10	006084-000	DOOR SKIN INSULATION RETAINER, 36"	1	EA	
11	006087-000	DOOR SKIN MTG BRACKET, 36"	1	EA	Not available online / Call for pricing and availability
12	A21014003	DOOR LINER MTG. BRKT.	2	EA	



Item	Part No.	Name	Qty	Uom	NOTES
13	006808-000	HINGE, BRACKET, LH	1	EA	
14	006076-000	DOOR LINER INSULATION RETAINER, 36"	1	EA	
15	004153-000	DOOR GLASS HOLDER BRACKET	2	EA	
16	PE060094	30" WINDOW PACK	1	EA	
17	000594-000	BLACK FIBERGLASS ROPE 3/8"	1	EA	
18	002713-402	LINER, DOOR, WLD, ASSY 36" BK	1	EA	
19	PD020063	SCREW-#8(A) X 3/8"PH WFR HD/BK OXID	20	EA	
20	013290-000	HINGE, DOOR, VGCC36" - PINK SPRING	2	EA	
<p>Comments for Part Num. 013290-000</p> <p>CAREYSAPPLIANCE@HOTMAIL.COM on Feb 15, 2018  in door view hinges are showing 2 different hinges  #15) part 002740-000  #17) part 013290-000  these part numbers in middleby do not cross over to each other  please correct with the correct part numbers Thanks Dan</p>					
21	006807-000	HINGE, BRACKET, RH	1	EA	
22	PD030010	#10-24 KEPS NUT ZINC PLATED	6	EA	
23	PD020033	SRW-#10-24X1/2"T(23)PH.WFR HD (NKL)	6	EA	
24	002726-000	DOOR SKIN SIDE BRACKET	2	EA	
25	PD020073	SRW #10 X 24 X 3/8 WAFER HD TYPE23	2	EA	
26	003012-000	DOOR HANDLE ENDCAP ASSY, RH (CHROME)	1	EA	
26	003012-100	DOOR HANDLE ENDCAP ASSY, RH (BRASS) - NLA	1	EA	
<p>Comments for Part Num. 003012-100</p> <p>parts@lvdistributes.com on Apr 23, 2018  number 16 brass end cap should be number 15</p>					
27	006080-000	36" DOOR HANDLE, 35.5	1	EA	
28	PD020032	SRW-8(A)X3/8"PH.WFR HD 7/16DIA*NICL	7	EA	



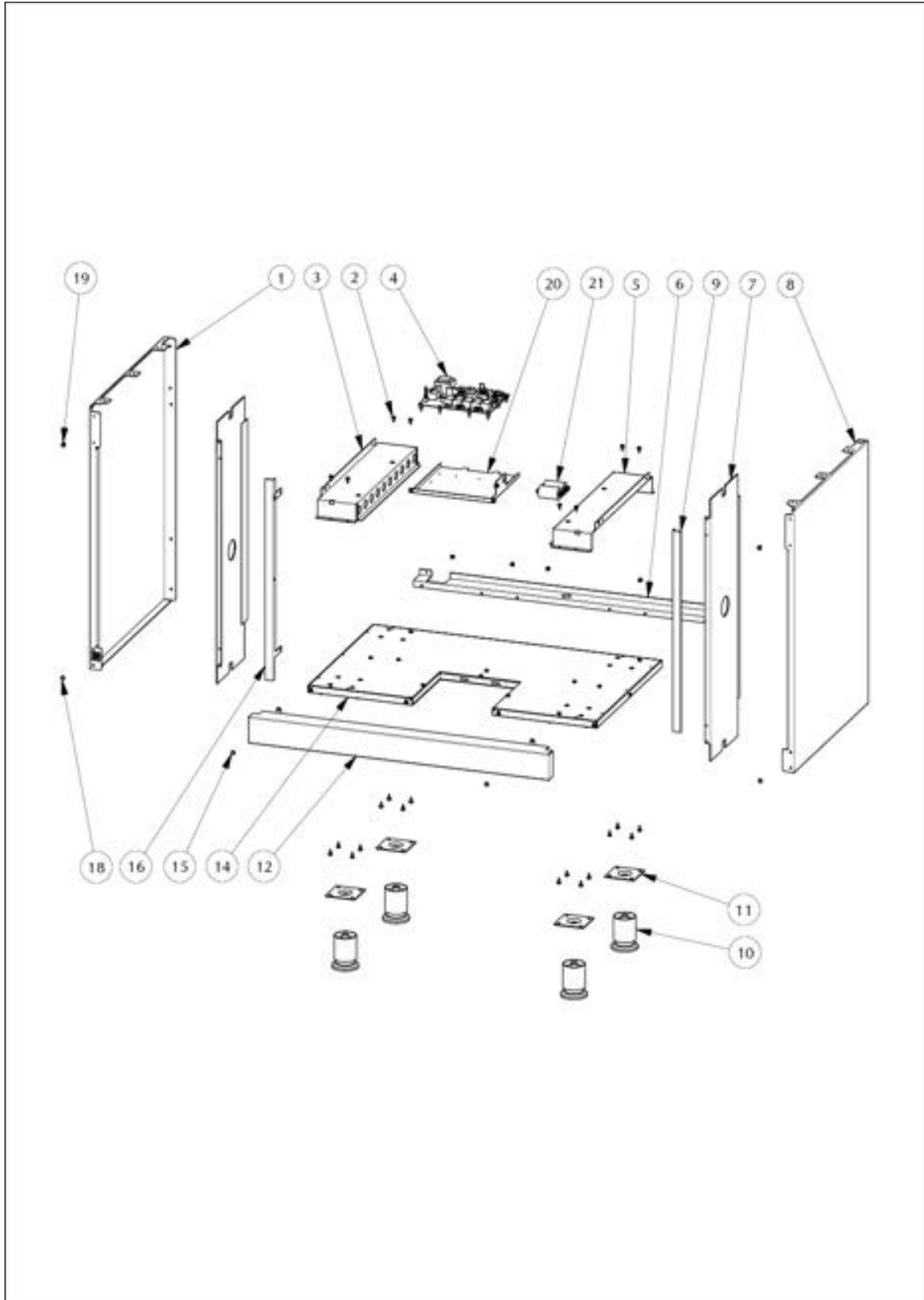


Item	Part No.	Name	Qty	Uom	NOTES
29	PD030006	CAPPED WASHER PAL NUT	2	EA	
30	PE010030	LOGO 6" (VGRC) *BK*	1	EA	
30	PE010079	4.5" LOGO/VIKING PROF *BK/BR	1	EA	
NI	006100-000	DOOR ASSEMBLY, 36" - SS	1	EA	
NI	009915-002	DOOR ASSEMBLY, 36" - BK	1	EA	NO LONGER AVAILABLE
NI	009915-002	DOOR ASSEMBLY, 36" - BK	1	EA	NO LONGER AVAILABLE
NI	009915-003	DOOR ASSEMBLY, 36" - BT	1	EA	
NI	009915-004	DOOR ASSEMBLY, 36" - SG	1	EA	
NI	009915-005	DOOR ASSEMBLY, 36" - GG	1	EA	
NI	009915-006	DOOR ASSEMBLY, 36" - WH	1	EA	
NI	009915-008	DOOR ASSEMBLY, 36" - BU	1	EA	
NI	009915-009	DOOR ASSEMBLY, 36" - LE	1	EA	
NI	009915-010	DOOR ASSEMBLY, 36" - MJ	1	EA	
NI	009915-012	DOOR ASSEMBLY, 36" - VB	1	EA	
NI	009915-013	DOOR ASSEMBLY, 36" - CB	1	EA	
NI	009915-015	DOOR ASSEMBLY, 36" - PL	1	EA	
NI	009915-016	DOOR ASSEMBLY, 36" - CH	1	EA	
NI	009915-017	DOOR ASSEMBLY, 36" - TP	1	EA	
NI	009915-018	DOOR ASSEMBLY, 36" - CW NLA	1	EA	
NI	009915-019	DOOR ASSEMBLY, 36" - OG	1	EA	
NI	009915-020	DOOR ASSEMBLY, 36" - GM	1	EA	
NI	009915-021	DOOR ASSEMBLY, 36" - SA	1	EA	
NI	009915-022	DOOR ASSEMBLY, 36" - SE	1	EA	
NI	009915-023	DOOR ASSEMBLY, 36" - IB	1	EA	
NI	009915-024	DOOR ASSEMBLY, 36" - AR	1	EA	Not available online / Call for pricing and availability
NI	009915-025	DOOR ASSEMBLY, 36" - RR	1	EA	
NI	009915-026	DOOR ASSEMBLY, 36" - PM	1	EA	
NI	009915-027	DOOR ASSEMBLY, 36" - MS	1	EA	
NI	006100-100	DOOR ASSEMBLY - SS/BR, 36"	1	EA	



Item	Part No.	Name	Qty	Uom	NOTES
NI	009915-102	DOOR ASSEMBLY, 36" - BK/BR	1	EA	
NI	009915-103	DOOR ASSEMBLY, 36" - BT/BR	1	EA	
NI	009915-104	DOOR ASSEMBLY, 36" - SG/BR	1	EA	
NI	009915-105	DOOR ASSEMBLY, 36" - GG/BR	1	EA	
NI	009915-106	DOOR ASSEMBLY, 36" - WH/BR	1	EA	
NI	009915-108	DOOR ASSEMBLY, 36" - BU/BR	1	EA	
NI	009915-109	DOOR ASSEMBLY, 36" - LE/BR	1	EA	
NI	009915-110	DOOR ASSEMBLY, 36" - MJ/BR	1	EA	
NI	009915-112	DOOR ASSEMBLY, 36" - VB/BR	1	EA	
NI	009915-113	DOOR ASSEMBLY, 36" - CB/BR	1	EA	
NI	009915-115	DOOR ASSEMBLY, 36" - PL/BR	1	EA	
NI	009915-116	DOOR ASSEMBLY, 36" - CH/BR	1	EA	
NI	009915-117	DOOR ASSEMBLY, 36" - TP/BR	1	EA	
NI	009915-118	DOOR ASSEMBLY, 36" - CW/BR	1	EA	
NI	009915-119	DOOR ASSEMBLY, 36" - OG/BR	1	EA	
NI	009915-120	DOOR ASSEMBLY, 36" - GM/BR	1	EA	
NI	009915-121	DOOR ASSEMBLY, 36" - SA/BR	1	EA	
NI	009915-122	DOOR ASSEMBLY, 36" - SE/BR	1	EA	
NI	009915-123	DOOR ASSEMBLY, 36" - IB/BR	1	EA	
NI	009915-124	DOOR ASSEMBLY, 36" - AR/BR	1	EA	
NI	009915-125	DOOR ASSEMBLY, 36" - RR/BR	1	EA	
NI	009915-126	DOOR ASSEMBLY, 36" - PM/BR	1	EA	
NI	009915-127	DOOR ASSEMBLY, 36" - MS/BR	1	EA	

### LOWER UNIT AND SIDE PANELS





Item	Part No.	Name	Qty	Uom	NOTES
1	003803-000	SIDE PANEL ASSY, LH	1	EA	
Not Shown	NOTE	(BEFORE 02/15/16)		EA	
1	058495-000	SIDE, PANEL, ASSY LH VDSC SS	1	EA	
Not Shown	NOTE	(ON OR AFTER 02/15/16)		EA	
1	005506-002	SIDE PANEL, LH ASSY, PAINTED BK	1	EA	
Not Shown	NOTE	(BEFORE 02/15/16)		EA	
1	005506-003	SIDE PANEL, LH ASSY, PAINTED BT	1	EA	
Not Shown	NOTE	(BEFORE 02/15/16)		EA	
1	005506-004	SIDE PANEL, LH ASSY, PAINTED SG	1	EA	
Not Shown	NOTE	(BEFORE 02/15/16)		EA	
1	005506-005	SIDE PANEL, LH ASSY, PAINTED GG	1	EA	
Not Shown	NOTE	(BEFORE 02/15/16)		EA	
1	005506-006	SIDE PANEL, LH ASSY, PAINTED WH	1	EA	
Not Shown	NOTE	(BEFORE 02/15/16)		EA	
1	005506-007	SIDE PANEL, LH ASSY, PAINTED AL	1	EA	
Not Shown	NOTE	(BEFORE 02/15/16)		EA	
1	005506-008	SIDE PANEL, LH ASSY, PAINTED BU	1	EA	
Not Shown	NOTE	(BEFORE 02/15/16)		EA	
1	005506-009	SIDE PANEL, LH ASSY, PAINTED LE	1	EA	
Not Shown	NOTE	(BEFORE 02/15/16)		EA	
1	005506-010	SIDE PANEL, LH ASSY, PAINTED MJ	1	EA	
Not Shown	NOTE	(BEFORE 02/15/16)		EA	



Item	Part No.	Name	Qty	Uom	NOTES
1	005506-011	SIDE PANEL, LH ASSY, PAINTED FG	1	EA	
Not Shown	NOTE	(BEFORE 02/15/16)		EA	
1	005506-012	SIDE PANEL, LH ASSY, PAINTED VB	1	EA	
Not Shown	NOTE	(BEFORE 02/15/16)		EA	
1	005506-013	SIDE PANEL, LH ASSY, PAINTED CB	1	EA	
Not Shown	NOTE	(BEFORE 02/15/16)		EA	
1	005506-014	SIDE PANEL, LH ASSY, PAINTED EP	1	EA	
Not Shown	NOTE	(BEFORE 02/15/16)		EA	
1	005506-015	SIDE PANEL, LH ASSY, PAINTED PL	1	EA	
Not Shown	NOTE	(BEFORE 02/15/16)		EA	
1	005506-016	SIDE PANEL, LH ASSY, PAINTED CH	1	EA	
Not Shown	NOTE	(BEFORE 02/15/16)		EA	
1	005506-017	SIDE PANEL, LH ASSY, PAINTED TP	1	EA	
Not Shown	NOTE	(BEFORE 02/15/16)		EA	
1	005506-018	SIDE PANEL, LH ASSY, PAINTED CW	1	EA	
Not Shown	NOTE	(BEFORE 02/15/16)		EA	
1	005506-019	SIDE PANEL, LH ASSY, PAINTED OG	1	EA	
Not Shown	NOTE	(BEFORE 02/15/16)		EA	
1	005506-020	SIDE PANEL, LH ASSY, PAINTED GM	1	EA	
Not Shown	NOTE	(BEFORE 02/15/16)		EA	
1	005506-021	SIDE PANEL, LH ASSY, PAINTED SA	1	EA	
Not Shown	NOTE	(BEFORE 02/15/16)		EA	



Item	Part No.	Name	Qty	Uom	NOTES
1	005506-022	SIDE PANEL, LH ASSY, PAINTED SE	1	EA	
Not Shown	NOTE	(BEFORE 02/15/16)		EA	
1	005506-023	SIDE PANEL, LH ASSY, PAINTED IB	1	EA	
Not Shown	NOTE	(BEFORE 02/15/16)		EA	
1	005506-024	SIDE PANEL, LH ASSY, PAINTED AR	1	EA	
Not Shown	NOTE	(BEFORE 02/15/16)		EA	
1	005506-025	SIDE PANEL, LH ASSY, PAINTED RR	1	EA	
Not Shown	NOTE	(BEFORE 02/15/16)		EA	
1	005506-026	SIDE PANEL, LH ASSY, PAINTED PM	1	EA	
Not Shown	NOTE	(BEFORE 02/15/16)		EA	
1	005506-027	SIDE PANEL, LH ASSY, PAINTED MS	1	EA	
Not Shown	NOTE	(BEFORE 02/15/16)		EA	
2	003860-000	10-18 x .500 FASTNR,SCR,HXWH,STL,ZPLT	42	EA	
3	003763-000	OVEN MODULE SUPPORT CHANNEL, LH	1	EA	
4	002406-000	CONTROL BOARD	1	EA	
Comments for Part Num. 002406-000					
haarnink@vikingrange.com on Jun 18, 2015					
For the international E Model numbers EVDSC5 we need to add the info that sins First unit was EVDSC530S4B: 092314C10147281 any EVDSC built in 2014 went into production with EOC4. so here we need to add the part number 014000-000 EOC4 plus the SMPS part number 013999-000					
Not Shown	NOTE	(BEFORE 6/15/15)		EA	
4	038417-000	EOC4 POWER SUPPLY BOARD, CB	1	EA	
Not Shown	NOTE	(ON OR AFTER 06/15/15)		EA	
NI	009632-000	MODEL 10 HEADER	1	EA	



Item	Part No.	Name	Qty	Uom	NOTES
NI	PE070734	HARN, HEADER, MODEL 14 (SEE (MODEL_HEADER))	1	EA	
5	003761-000	OVEN MODULE SUPPORT CHANNEL, RH	1	EA	
6	004503-000	BASE, LEDG, BACK, 36"	1	EA	
7	007488-000	SINK, REAR, SIDE	2	EA	
8	003802-000	SIDE PANEL ASSY, RH, SST	1	EA	
Not Shown	NOTE	(BEFORE 02/15/16)		EA	
8	058496-000	SIDE, PANEL, ASSY RH VDSC SS	1	EA	
Not Shown	NOTE	(ON OR AFTER 02/15/16)		EA	
8	005503-002	SIDE PANEL, RH ASSY, PAINTED BK	1	EA	
Not Shown	NOTE	(BEFORE 02/15/16)		EA	
8	005503-003	SIDE PANEL, RH ASSY, PAINTED BT	1	EA	
Not Shown	NOTE	(BEFORE 02/15/16)		EA	
8	005503-004	SIDE PANEL, RH ASSY, PAINTED SG	1	EA	
Not Shown	NOTE	(BEFORE 02/15/16)		EA	
8	005503-005	SIDE PANEL, RH ASSY, PAINTED GG	1	EA	
Not Shown	NOTE	(BEFORE 02/15/16)		EA	
8	005503-006	SIDE PANEL, RH ASSY, PAINTED WH	1	EA	
Not Shown	NOTE	(BEFORE 02/15/16)		EA	
8	005503-007	SIDE PANEL, RH ASSY, PAINTED AL	1	EA	
Not Shown	NOTE	(BEFORE 02/15/16)		EA	
8	005503-008	SIDE PANEL, RH ASSY, PAINTED BU	1	EA	
Not Shown	NOTE	(BEFORE 02/15/16)		EA	
8	005503-009	SIDE PANEL, RH ASSY, PAINTED LE	1	EA	



Item	Part No.	Name	Qty	Uom	NOTES
Not Shown	NOTE	(BEFORE 02/15/16)		EA	
8	005503-010	SIDE PANEL, RH ASSY, PAINTED MJ	1	EA	
Not Shown	NOTE	(BEFORE 02/15/16)		EA	
8	005503-011	SIDE PANEL, RH ASSY, PAINTED FG	1	EA	
Not Shown	NOTE	(BEFORE 02/15/16)		EA	
8	005503-012	SIDE PANEL, RH ASSY, PAINTED VB	1	EA	
Not Shown	NOTE	(BEFORE 02/15/16)		EA	
8	005503-013	SIDE PANEL, RH ASSY, PAINTED CB	1	EA	
Not Shown	NOTE	(BEFORE 02/15/16)		EA	
8	005503-014	SIDE PANEL, RH ASSY, PAINTED EP	1	EA	
Not Shown	NOTE	(BEFORE 02/15/16)		EA	
8	005503-015	SIDE PANEL, RH ASSY, PAINTED PL	1	EA	
Not Shown	NOTE	(BEFORE 02/15/16)		EA	
8	005503-016	SIDE PANEL, RH ASSY, PAINTED CH	1	EA	
Not Shown	NOTE	(BEFORE 02/15/16)		EA	
8	005503-017	SIDE PANEL, RH ASSY, PAINTED TP	1	EA	
Not Shown	NOTE	(BEFORE 02/15/16)		EA	
8	005503-018	SIDE PANEL, RH ASSY, PAINTED CW	1	EA	
Not Shown	NOTE	(BEFORE 02/15/16)		EA	
8	005503-019	SIDE PANEL, RH ASSY, PAINTED OG	1	EA	
Not Shown	NOTE	(BEFORE 02/15/16)		EA	
8	005503-020	SIDE PANEL, RH ASSY, PAINTED GM	1	EA	



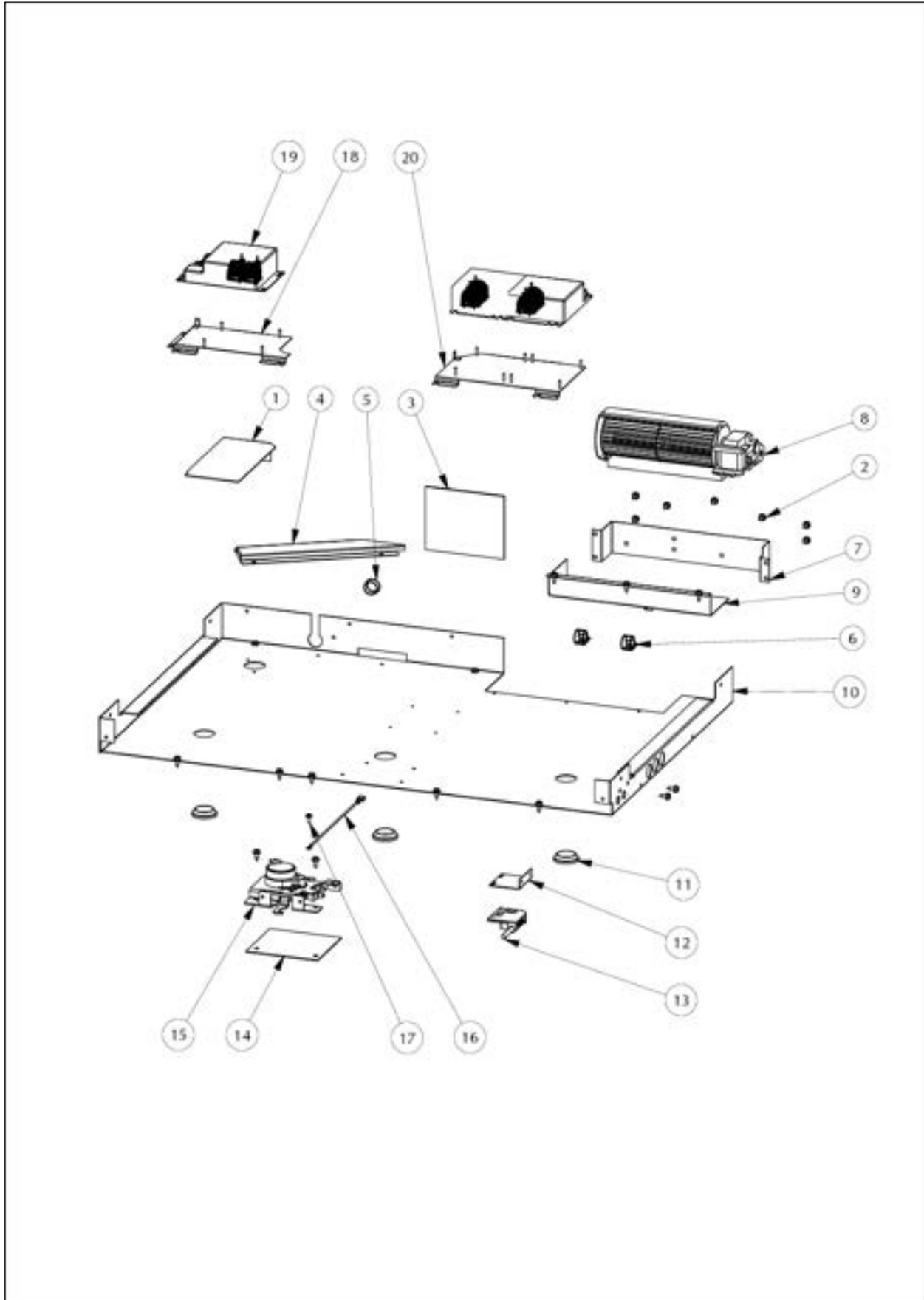


Item	Part No.	Name	Qty	Uom	NOTES
Not Shown	NOTE	(BEFORE 02/15/16)		EA	
8	005503-021	SIDE PANEL, RH ASSY, PAINTED SA	1	EA	
Not Shown	NOTE	(BEFORE 02/15/16)		EA	
8	005503-022	SIDE PANEL, RH ASSY, PAINTED SE	1	EA	
Not Shown	NOTE	(BEFORE 02/15/16)		EA	
8	005503-023	SIDE PANEL, RH ASSY, PAINTED IB	1	EA	
Not Shown	NOTE	(BEFORE 02/15/16)		EA	
8	005503-024	SIDE PANEL, RH ASSY, PAINTED AR	1	EA	
Not Shown	NOTE	(BEFORE 02/15/16)		EA	
8	005503-025	SIDE PANEL, RH ASSY, PAINTED RR	1	EA	
Not Shown	NOTE	(BEFORE 02/15/16)		EA	
8	005503-026	SIDE PANEL, RH ASSY, PAINTED PM	1	EA	
Not Shown	NOTE	(BEFORE 02/15/16)		EA	
8	005503-027	SIDE PANEL, RH ASSY, PAINTED MS	1	EA	
Not Shown	NOTE	(BEFORE 02/15/16)		EA	
9	004606-000	OVEN, TRIM, FR, SIDE, RH, 36"	1	EA	
10	044178-000	RANGE, LEG, ADJUSTABLE	4	EA	
11	PC030007	LEG PLATE - 3/4" THREADED HOLE	4	EA	
12	005382-000	KICKPLATE, SS, VDSC36	1	EA	
Not Shown	NOTE	(BEFORE 02/15/16)		EA	
12	042287-000	KICKPLATE, GAS & DUAL FUEL, 36"	1	EA	
Not Shown	NOTE	(ON OR AFTER 02/15/16)		EA	
12	042323-002	KICKPLATE, GAS & DUAL FUEL, 36" BK	1	EA	



Item	Part No.	Name	Qty	Uom	NOTES
12	042323-005	KICKPLATE, GAS & DUAL FUEL, 36" GG	1	EA	
12	042323-006	KICKPLATE, GAS & DUAL FUEL, 36" WH	1	EA	
12	042323-008	KICKPLATE, GAS & DUAL FUEL, 36" BU	1	EA	
12	042323-013	KICKPLATE, GAS & DUAL FUEL, 36" CB	1	EA	
12	042323-024	KICKPLATE, GAS & DUAL FUEL, 36" AR	1	EA	
13	005381-000	ACCESS GRILL PANEL, LOWER 36"	1	EA	
14	003329-000	RANGE, BASE, ASM, 36	1	EA	
15	PD020032	SRW-8(A)X3/8"PH.WFR HD 7/16DIA*NICL	2	EA	
16	004607-000	OVEN, TRIM, FR, SIDE, LH, 36"	1	EA	
17	PD020048	NO.10 X 1/2 TEK 410 SS SCREW	2	EA	
18	003801-000	SHOULDER SCREW, #10	2	EA	
19	014143-000	SCR 10-12 A SHLD TRP 1/2 S ZN BLUE	2	EA	
20	015096-000	PLATE, MTG, EOC4 CONTROL BOARD	1	EA	
21	036047-000	CAPACITOR, CONV MOTOR, INTL	2	EA	
NI	PD040164	5/16 INTERNAL TOOTH LOCK WASHER TYPE A	1	EA	
NI	PD030172	M8 X 1.25MM NUT	1	EA	
NI	021340-000	LINEAR POWER SUPPLY, SINGLE	1	EA	
Not Shown	NOTE	(ON OR AFTER 6/15/15)		EA	

OVEN ELECTRONICS



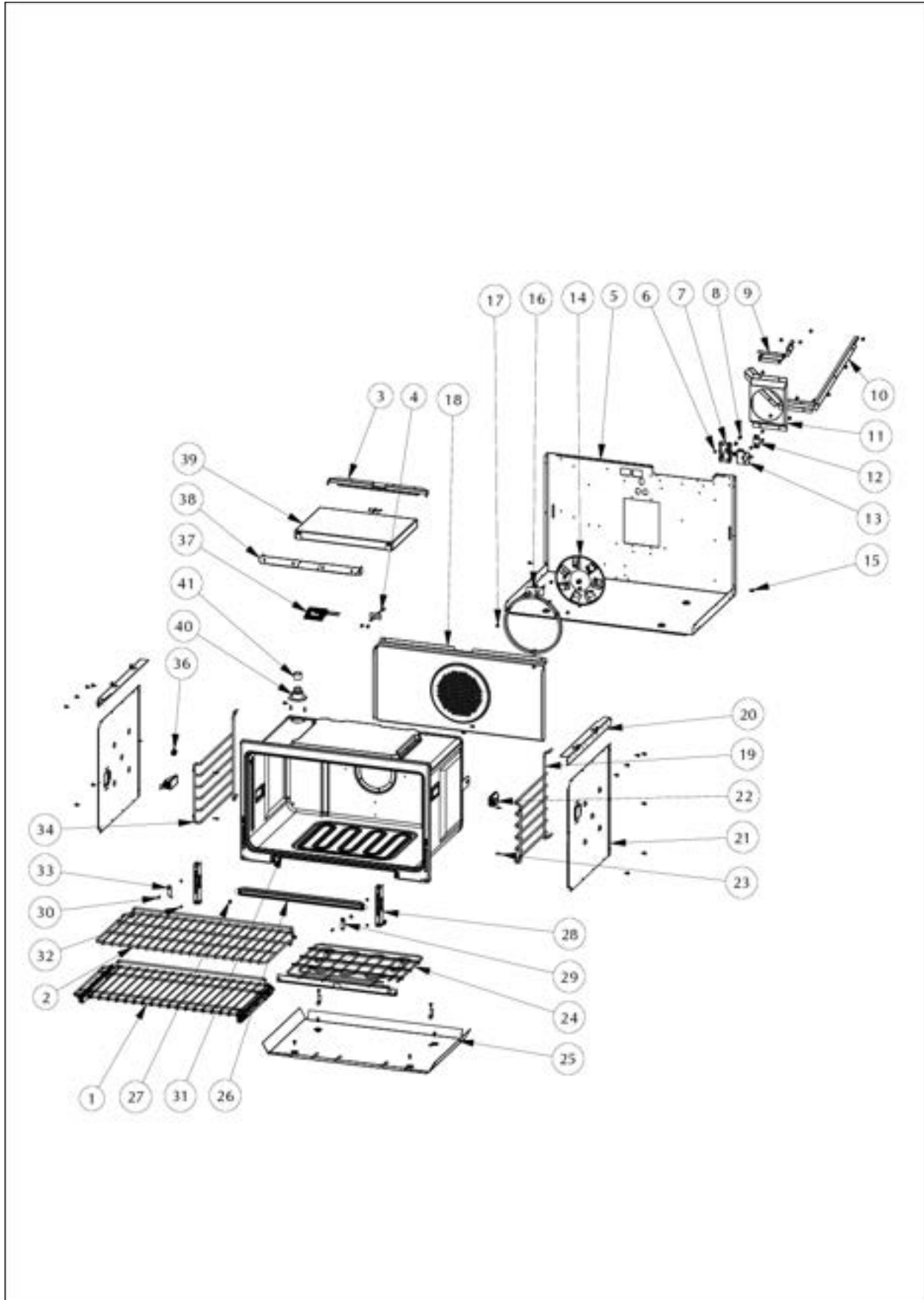


Item	Part No.	Name	Qty	Uom	NOTES
1	004016-000	PLATE,SVCE,RGLT	1	EA	
2	003860-000	10-18 x .500 FASTNR,SCR,HXWH,STL,ZPLT	32	EA	
3	004285-000	INSULATION, FOIL- BACKED,4"x5"	1	EA	
4	004698-000	FLUE DUCT, VDSC36"	1	EA	
5	PD040152	SNAP BUSHING	1	EA	
6	PD030109	INSULATED CLAMP	1	EA	
7	004110-000	Blower Mount	1	EA	
8	PE050250	Blower	1	EA	
<p>Comments for Part Num. PE050250</p> <p>highendappsvc@gmail.com on Jan 28, 2019</p> <p>If you need to replace cooling fan for the model vgsc5486gss serial date code 031412, do not order this fan, this fan is larger and configured wrong. The correct fan is 007794-000. it is smaller.</p>					
Not Shown	NOTE	(BEFORE FEBRUARY 2012)		EA	
8	079169-000	FAN, COOLING, DUAL, 230V, 60 X 180mm	1	each	
Not Shown	NOTE	(AFTER FEBRUARY 2012)		EA	
9	A2009659	BRACKET, FILLER, BLOWER	1	EA	
10	004547-000	RANGE TOP BRACE, AIR CHANNEL, 36"	1	EA	
11	PB070079	SILICONE EXTRUSION (DGSU)	3	EA	
12	A20012649	DOOR SWITCH BRACKET	1	EA	
13	PE050208	DOOR SWITCH	1	EA	
14	013564-000	LOWER LATCH INSULATION	1	EA	
15	013250-000	LATCH,DOOR,ASM,240V,GRID DLE LOCKOUT	1	EA	
16	G4000936	GROUND WIRE	1	EA	
17	PD020010	10 X 3/8 GREEN GROUNDING SCREW	1	EA	
18	018001-000	EVDSC SINGLE DSI TRAY	1	EA	
Not Shown	NOTE	(BEFORE 12/03/2010)		EA	
18	NA YET	EVDSC SINGLE DSI TRAY	1	EA	



Item	Part No.	Name	Qty	Uom	NOTES
Not Shown	NOTE	(AFTER 12/03/2010)		EA	
19	NA YET	CONVERSION KIT TO 018609-000 DSI MODULE	3	EA	
Not Shown	NOTE	(BEFORE 12/03/2010)		EA	
19	042721-507	DSI230 SHORT PURGE ASSY	3	EA	
Not Shown	NOTE	(AFTER 12/03/2010)		EA	
20	018002-000	EVDSC DOUBLE DSI TRAY	1	EA	Not available online / Call for pricing and availability
Not Shown	NOTE	(BEFORE 12/03/2010)		EA	
20	NA YET	EVDSC DOUBLE DSI TRAY	1	EA	
Not Shown	NOTE	(AFTER 12/03/2010)		EA	

OVEN INTERIOR





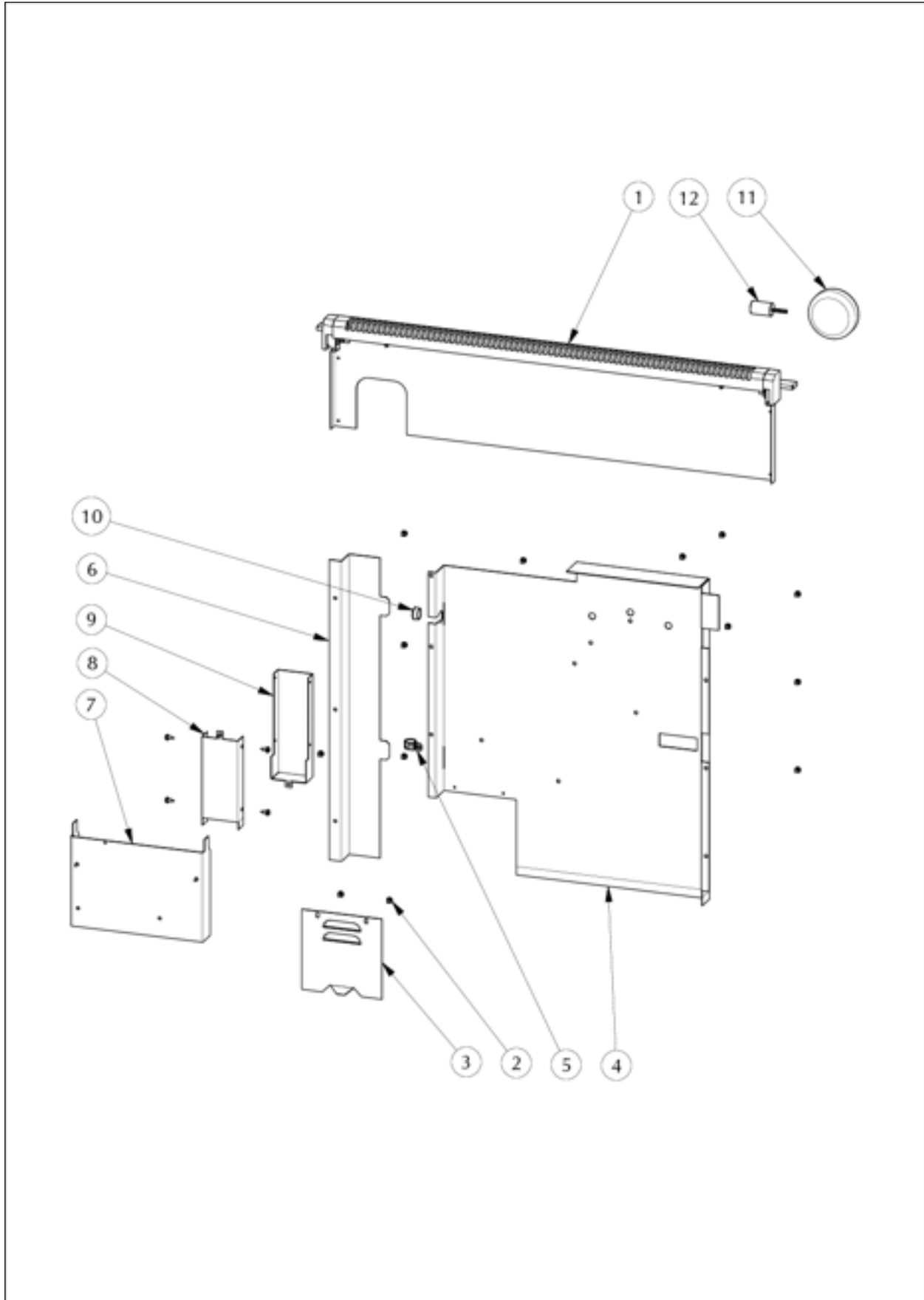
Item	Part No.	Name	Qty	Uom	NOTES
1	024668-000	RACK PULLOUT ASM 36"	1	EA	
2	041047-000	RACK, DF, PRO, 36"	2	EA	
3	024221-000	BRACKET, BROILER, REAR	1	EA	
4	PE050206	RTD THERMOSTAT PROBE	1	EA	
5	004542-000	OVEN BOTTOM BACK WRAP, 36"	1	EA	
6	PD020010	10 X 3/8 GREEN GROUNDING SCREW	1	EA	
7	PE070147	TERMINAL BLOCK (VDSC)	1	EA	
8	PD020014	10X3/4 PH TR HD SMS	2	EA	
9	003356-000	DIVERTER, AIR	1	EA	
10	002941-000	BAFFLE, FAN, REAR	1	EA	
11	A2009697	BRACKET, CONVECTION INSULATION	1	EA	
12	A1002457	POWER CORD MOUNTING STRAP (VDSC)	1	EA	
13	A2002195	POWER CORD MOUNTING BRKT (VDSC)	1	EA	
14	G32014020	CONVECTION FAN ASSY	1	EA	
15	003860-000	10-18 x .500 FASTNR,SCR,HXWH,STL,ZPLT	45	EA	
16	PJ010047	CONVECTION ELEMENT	1	EA	
17	PD020048	NO.10 X 1/2 TEK 410 SS SCREW	19	EA	
18	006177-000	BAFFLE, CNVN, ASM, VDSC 36"	1	EA	
19	066478-402	SUPPORT, RACK, RHS, PORCELAIN	1	EA	
20	A2009641	BRKT, TOP WRAPPER	2	EA	
21	014137-000	WRAPPER, OVEN SIDE	2	EA	
22	068653-601	LIGHT, 120V/25W, G9, HALOGEN, SIDE	2	EA	
NI	018022-000	CAPSULE LAMP G9 25W 230V	2	EA	
23	PD020232	#8 X 3/4" PH PAN HEAD TEK SCREW (BLACK OXIDE)	4	EA	
24	PJ010048	BAKE ELEMENT	1	EA	
25	004541-000	ELEMENT, MTG TRAY 36"	1	EA	
26	E9109655	BAKE TRAY COVER	1	EA	



Item	Part No.	Name	Qty	Uom	NOTES
27	PD020063	SCREW-#8(A) X 3/8"PH WFR HD/BK OXID	2	EA	
28	031679-000	RECEPTACLE, HINGE	2	EA	
29	B21010915	RH HINGE CLIP	1	EA	
30	PD020061	' #8 X 3/4 FLAT HD TEK. *SS*	2	EA	
31	UNSERVICEABLE	OVEN CAVITY, ASM 36	1	EA	
32	PD020062	#8-32 X 3/8 PHMS TYPE 1	4	EA	
33	B21010916	LH HINGE CLIP	1	EA	
34	066479-402	SUPPORT, RACK, LHS, PORCELAIN	1	EA	
35	014143-000	SCR 10-12 A SHLD TRP 1/2 S ZN BLUE	2	EA	
36	PD020067	#6 X 3/8" PAN PHIL. TEK *SS*	2	EA	
37	068038-601	ASM, OVEN, LIGHT, 120V, 40W (REPLACEMENT LAMP USE 078926-000)	1	EA	
NI	018022-000	CAPSULE LAMP G9 25W 230V	1	EA	
38	024234-000	BRACKET, BROILER, FRONT	1	EA	
39	024040-000	ELEMENT, RIBBON	1	EA	
40	PM010014	SMOKE ELIMINATOR (VDSC)	1	EA	
41	PB020275	VENT TUBE	1	EA	



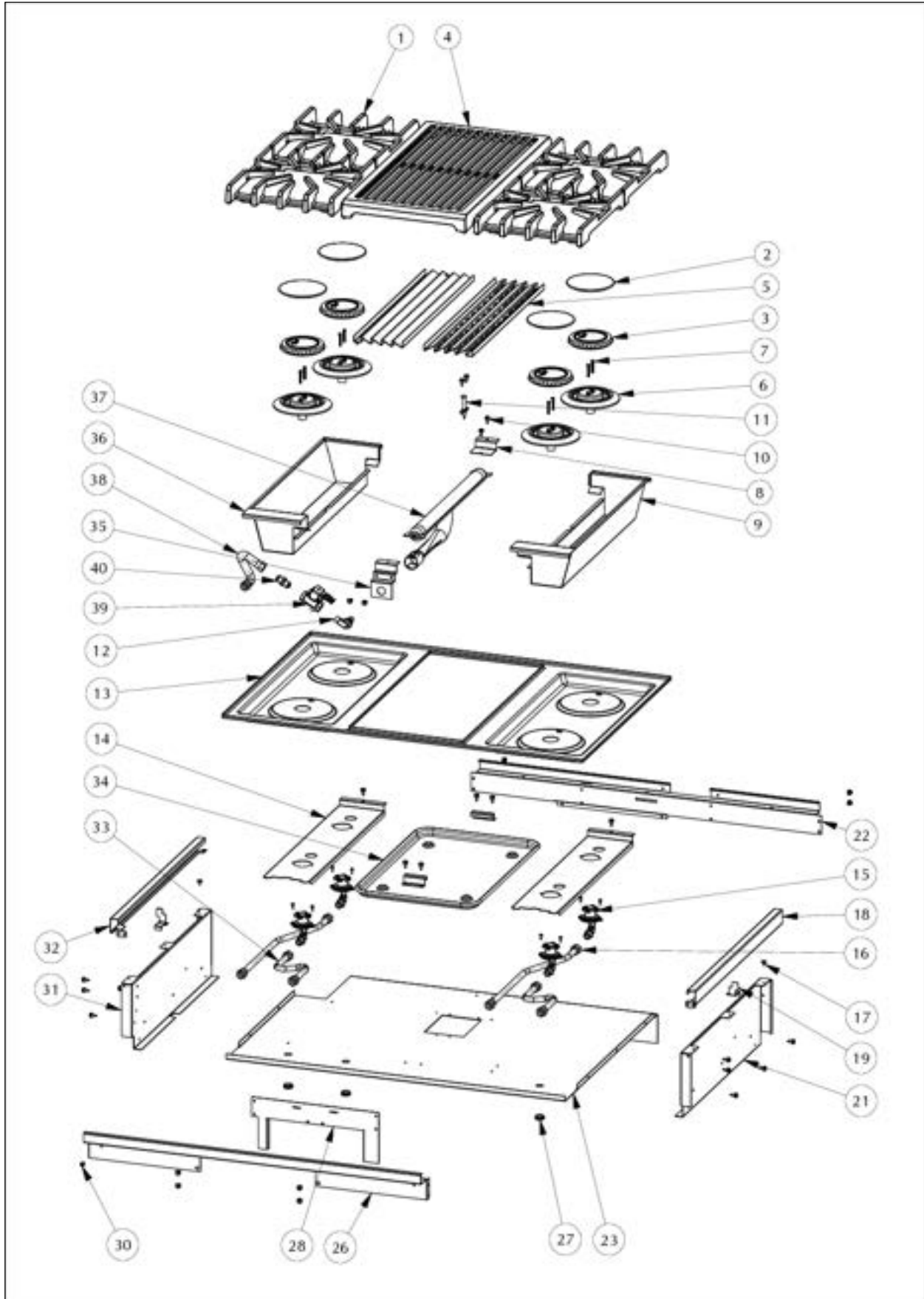
REAR SHEET METAL





Item	Part No.	Name	Qty	Uom	NOTES
1	041505-000	ISLAND TRIM, ASM, 36" CUSTOM	1	EA	
2	003860-000	10-18 x .500 FASTNR,SCR,HXWH,STL,ZPLT	27	EA	
3	A2002454	BACK, COVER ACCESS DOOR	1	EA	
4	003272-000	COVER, BACK- INTERNATIONAL	1	EA	
5	PD030109	INSULATED CLAMP	1	EA	
6	003245-000	CHANNEL, WIRE, REAR	1	EA	
7	003681-000	DUCT, AIR	1	EA	
8	A20010102	FLUE, CENTER EXTENDED	1	EA	
9	A20010101	FLUE, OUTSIDE SHELL	1	EA	
10	PD040005	SNAP BUSHING - 7/8"	1	EA	
11	PJ030038	EMC FILTER	1	EA	
12	018201-000	TRANSFO 160VA (AMPL- 3N1756)	1	EA	

## SURFACE COOKING AREA



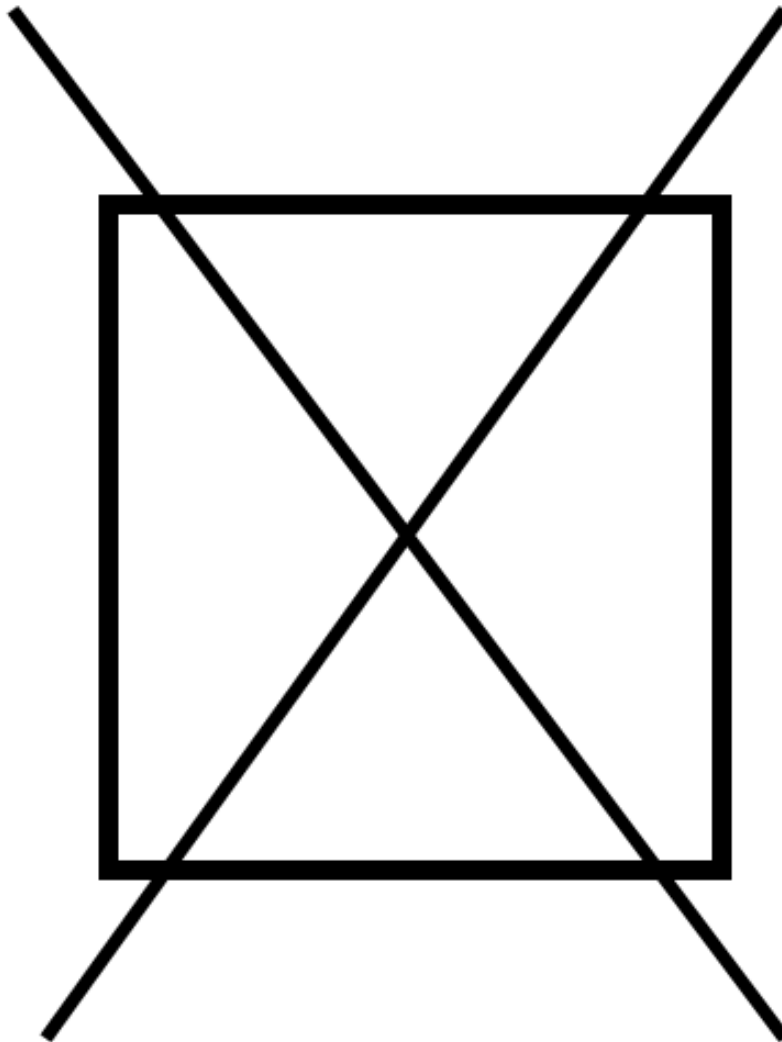


Item	Part No.	Name	Qty	Uom	NOTES
1	007323-000	BURNER GRATE	4	EA	
Not Shown	NOTE	(BEFORE 11/21/14)		EA	
1	049420-000	GRATE, BURNER, ASM	4	EA	
Not Shown	NOTE	(ON OR AFTER 11/21/14)		EA	
NI	074892-000	RUBBER FOOT	16	EA	
Not Shown	NOTE	(BEFORE 11/21/14)		EA	
NI	049416-000	BUMBER, GRATE	16	EA	
Not Shown	NOTE	(ON OR AFTER 11/21/14)		EA	
2	066958-000	D BURNER CAP *MATTE BLACK*	4	EA	
3	018200-000	ADJUSTED SEALED BURNER HEAD	4	EA	
4	010168-000	CUSTOM RANGE GRILL GRATE	1	EA	
5	072628-402	GRILL SMOKE GENERATOR	2	EA	
6	003322-041	SEALED BURNER BASE, PAINTED FINISH- GRAY	4	EA	
7	009197-000	#6-32 X 5/8 18-8 SS NC SOC CAP	8	EA	
8	008636-000	BRACKET, BURNER, GRILL, REAR	1	EA	
9	013593-000	PAN, DRIP, ASM, RIGHT	1	EA	
10	003860-000	10-18 x .500 FASTNR,SCR,HXWH,STL,ZPLT	40	EA	
11	PA020028	SPARK IGNITER	1	EA	
12	PB040190	90 DEGREE ORIFICE FITTING #50 NAT	1	EA	
Not Shown	NOTE	(For correct orifice, see chart)		EA	
13	E9108438BK	MAIN TOP (VGRT4G/Q) *BK*	1	EA	
14	002923-000	BURNER MODULE SUPPORT	1	EA	
15	066197-041	18500 BTU NAT JETHOLDER	1	EA	
15	066197-042	15000 BTU NAT JETHOLDER	3	EA	
Not Shown	NOTE	(For correct orifice, see chart)		EA	
16	PB020193	16" FLEX TUBING W/CONNECTORS	2	EA	



Item	Part No.	Name	Qty	Uom	NOTES
17	PD020032	SRW-8(A)X3/8"PH.WFR HD 7/16DIA*NICL	4	EA	
18	002920-000	TOP TRIM RING, RH	1	EA	
19	004021-000	SUPPORT,TRIM,SIDE	2	EA	
20	016793-000	SHIELD, HEAT, RH, Q MODELS	1	EA	
21	002755-000	BURNER BOX SIDE, RH	1	EA	
22	004602-000	REAR SUPPORT, BURNER BOX 36"	1	EA	
23	024659-000	BURNER,BOX,BOT,VDSC536T	1	EA	
24	016794-000	SHIELD, HEAT, REAR, Q MODELS	1	EA	
25	016796-000	SHIELD, HEAT, FR, Q MODELS	1	EA	
26	004603-000	FRONT SUPPORT, BURNER BOX 36"	1	EA	
27	PD040152	SNAP BUSHING	1	EA	
28	012771-000	RANGETOP, BRKT, FR, VDSC CUSTOM	1	EA	
29	016792-000	SHIELD, HEAT, LH, Q MODELS	1	EA	
30	PD020010	10 X 3/8 GREEN GROUNDING SCREW	1	EA	
31	003481-000	BURNER BOX SIDE, LH	1	EA	
32	003649-000	TOP TRIM RING, LH	1	EA	
33	PB020192	10" FLEX TUBING W/CONNECTORS	2	EA	
34	J2101749	GREASE PAN	1	EA	
35	007776-000	MOUNT, GRILL, BURNER, FRONT	1	EA	
36	013595-000	PAN, DRIP, ASM, LEFT	1	EA	
37	007878-000	BURNER, GRIL, ASM	1	EA	
38	018102-000	VALVE. SOL. SINGLE SGV-111- 2020-S	1	EA	
39	018028-002	ADAPTOR MALE 3/8 MALE 9/16	1	EA	Not available online / Call for pricing and availability

NON  
ILLUSTRATED PART





Item	Part No.	Name	Qty	Uom	NOTES
NI	057979-000	HARN, RVDR3301-5B, MAIN	1	EA	
NI	PE070739	BAKE ELEMENT HARNESS	1	EA	
NI	020019-000	HARNESS, WRG, CONTROL	1	EA	
NI	015103-000	HARNESS,TEST,VDSC-T MODELS	1	EA	
NI	018632-000	WIRE, IGNITOR, 38	1	EA	
NI	024869-000	RIBBON CABLE, RH	1	EA	



Appendix A:Pages Index

CONTROL AREA .....	1
DOOR ASSY .....	2
LOWER UNIT AND SIDE PANELS .....	3
OVEN ELECTRONICS .....	4
OVEN INTERIOR .....	5
REAR SHEET METAL .....	6
SURFACE COOKING AREA .....	7
UNIT WIRING .....	8





Appendix B:Parts Index

000594-000	2	004606-000	3
002406-000	3	004607-000	3
002713-402	2	004698-000	4
002726-000	2	004907-000	2
002755-000	7	005269-000	1
002884-000	1	005381-000	3
002920-000	7	005382-000	3
002923-000	7	005480-000	1
002941-000	5	005503-002	3
003011-000	2	005503-003	3
003011-100	2	005503-004	3
003012-000	2	005503-005	3
003012-100	2	005503-006	3
003245-000	6	005503-007	3
003272-000	6	005503-008	3
003322-041	7	005503-009	3
003329-000	3	005503-010	3
003356-000	5	005503-011	3
003481-000	7	005503-012	3
003649-000	7	005503-013	3
003650-000	2	005503-014	3
003681-000	6	005503-015	3
003719-000	1	005503-016	3
003761-000	3	005503-017	3
003763-000	3	005503-018	3
003801-000	3	005503-019	3
003802-000	3	005503-020	3
003803-000	3	005503-021	3
003860-000	3, 4, 5, 6, 7	005503-022	3
004016-000	4	005503-023	3
004021-000	7	005503-024	3
004110-000	4	005503-025	3
004153-000	2	005503-026	3
004285-000	4	005503-027	3
004503-000	3	005506-002	3
004541-000	5	005506-003	3
004542-000	5	005506-004	3
004547-000	4	005506-005	3
004602-000	7	005506-006	3
004603-000	7	005506-007	3
		005506-008	3



005506-009	3	009632-000	3
005506-010	3	009852-002	2
005506-011	3	009852-003	2
005506-012	3	009852-004	2
005506-013	3	009852-005	2
005506-014	3	009852-006	2
005506-015	3	009852-008	2
005506-016	3	009852-009	2
005506-017	3	009852-010	2
005506-018	3	009852-012	2
005506-019	3	009852-013	2
005506-020	3	009852-015	2
005506-021	3	009852-016	2
005506-022	3	009852-017	2
005506-023	3	009852-018	2
005506-024	3	009852-019	2
005506-025	3	009852-020	2
005506-026	3	009852-021	2
005506-027	3	009852-022	2
006076-000	2	009852-023	2
006079-000	2	009852-024	2
006080-000	2	009852-025	2
006082-000	2	009852-026	2
006084-000	2	009852-027	2
006087-000	2	009852-102	2
006094-100	2	009852-103	2
006100-000	2	009852-104	2
006100-100	2	009852-105	2
006177-000	5	009852-106	2
006299-000	1	009852-108	2
006464-000	1	009852-109	2
006574-000	1	009852-110	2
006807-000	2	009852-112	2
006808-000	2	009852-113	2
006996-000	1	009852-115	2
007323-000	7	009852-116	2
007488-000	3	009852-117	2
007776-000	7	009852-118	2
007878-000	7	009852-119	2
008636-000	7	009852-120	2
009197-000	7	009852-121	2



009852-122	2	009915-117	2
009852-123	2	009915-118	2
009852-124	2	009915-119	2
009852-125	2	009915-120	2
009852-126	2	009915-121	2
009852-127	2	009915-122	2
009915-002	2, 2	009915-123	2
009915-003	2	009915-124	2
009915-004	2	009915-125	2
009915-005	2	009915-126	2
009915-006	2	009915-127	2
009915-008	2	010168-000	7
009915-009	2	012771-000	7
009915-010	2	013052-000	1
009915-012	2	013054-000	1
009915-013	2	013250-000	4
009915-015	2	013290-000	2
009915-016	2	013564-000	4
009915-017	2	013593-000	7
009915-018	2	013595-000	7
009915-019	2	014137-000	5
009915-020	2	014143-000	3, 5
009915-021	2	015096-000	3
009915-022	2	015103-000	8
009915-023	2	016792-000	7
009915-024	2	016793-000	7
009915-025	2	016794-000	7
009915-026	2	016796-000	7
009915-027	2	018001-000	4
009915-102	2	018002-000	4
009915-103	2	018018-000	1
009915-104	2	018019-000	1, 1
009915-105	2	018022-000	5, 5
009915-106	2	018028-002	7
009915-108	2	018031-000	1
009915-109	2	018102-000	7
009915-110	2	018200-000	7
009915-112	2	018201-000	6
009915-113	2	018605-000	1
009915-115	2	018627-000	1
009915-116	2	018631-000	1



018632-000	8	079169-000	4
020019-000	8	A1002457	5
021336-000	1	A20010101	6
021340-000	3	A20010102	6
023702-000	2	A20012649	4
024040-000	5	A2002195	5
024221-000	5	A2002454	6
024234-000	5	A2009641	5
024659-000	7	A2009659	4
024668-000	5	A2009697	5
024869-000	8	A21014003	2
030823-000	2	B21010915	5
031679-000	5	B21010916	5
036047-000	3	E9108438BK	7
038417-000	3	E9109655	5
041047-000	5	G32014020	5
041505-000	6	G4000936	4
042287-000	3	J2101749	7
042323-002	3	PA020028	7
042323-005	3	PB020192	7
042323-006	3	PB020193	7
042323-008	3	PB020275	5
042323-013	3	PB040190	7
042323-024	3	PB070079	4
042721-507	4	PC030007	3
044178-000	3	PD020010	4, 5, 7
049416-000	7	PD020014	5
049420-000	7	PD020032	1, 2, 3, 7
050172-000	1	PD020033	2
057979-000	8	PD020046	1
058495-000	3	PD020048	3, 5
058496-000	3	PD020061	5
066197-041	7	PD020062	5
066197-042	7	PD020063	2, 5
066478-402	5	PD020067	5
066479-402	5	PD020073	2
066958-000	7	PD020076	1
068038-601	5	PD020232	5
068653-601	5	PD030006	2
072628-402	7	PD030010	2
074892-000	7	PD030109	4, 6



PD030172	3
PD040004	1
PD040005	6
PD040106	1
PD040152	4, 7
PD040164	3
PE010030	2
PE010079	2
PE050072	1
PE050206	5
PE050208	4
PE050250	4
PE060090	2
PE060094	2
PE060105	2
PE070147	5
PE070734	3
PE070739	8
PJ010047	5
PJ010048	5
PJ030033	1
PJ030035	1
PJ030038	6
PM010014	5