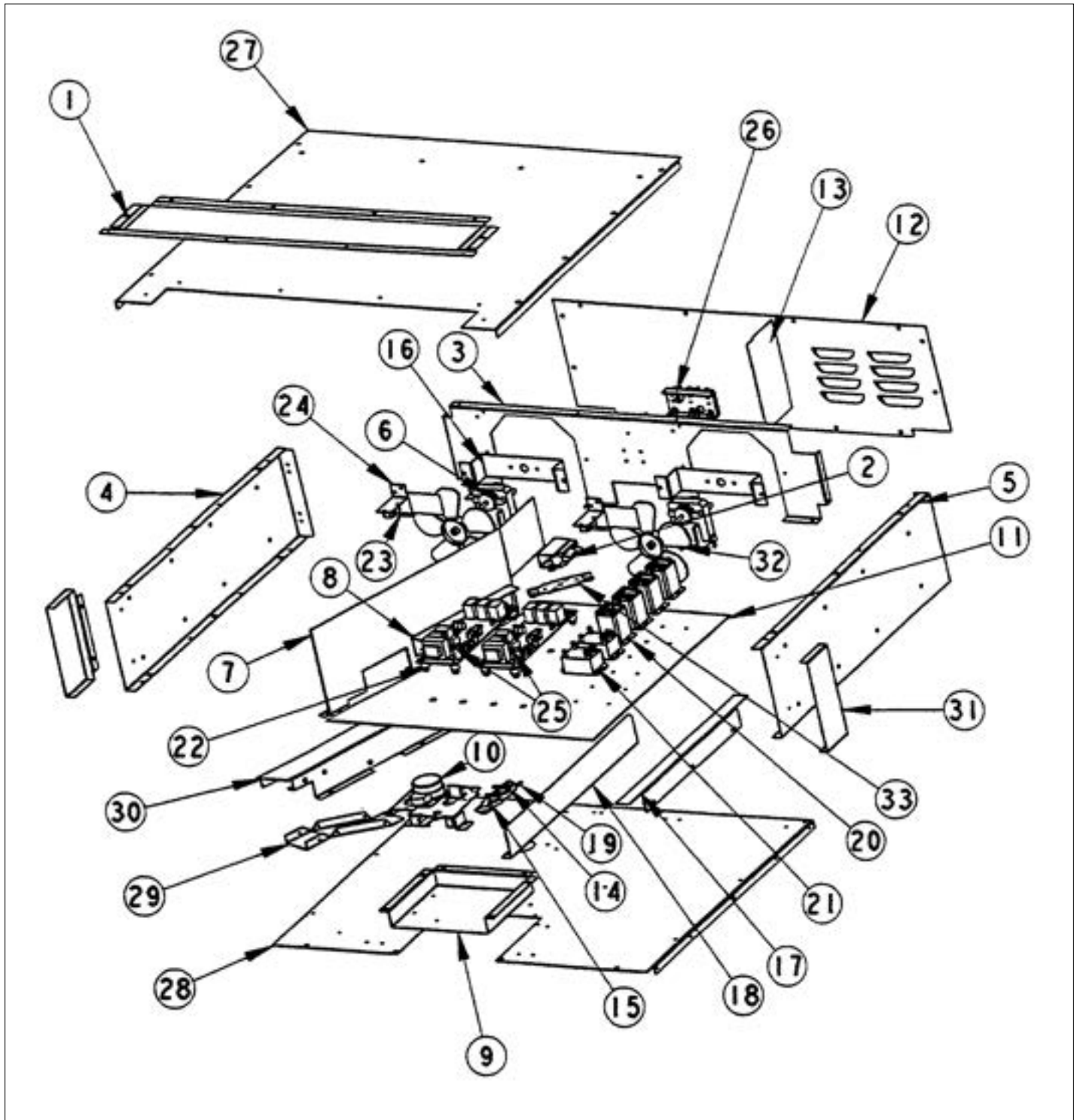


**EVEDO205**

CABINET ASSY .....	1
CONTROL ASSY .....	2
FUNCTIONAL PARTS .....	3
LOWER DOOR ASSY .....	4
LOWER OVEN ASSY .....	5
UPPER DOOR ASSY .....	6
UPPER OVEN ASSY .....	7
Appendix A:Pages Index .....	A
Appendix B:Parts Index .....	B

CABINET ASSY





Item	Part No.	Name	Qty	Uom	NOTES
1	E9102908	AIR VENT (VESO/VEDO)	1	EA	NO LONGER AVAILABLE
2	PJ030002	AUTO RESET (SELF-CLEAN) VDSC	1	EA	
3	A2002926	CABINET BACK - VEDO205	1	EA	NO LONGER AVAILABLE, Not available online / Call for pricing and availability
4	A2002906	CABINET SIDE	1	EA	NO LONGER AVAILABLE, Not available online / Call for pricing and availability
5	A2002906	CABINET SIDE	1	EA	NO LONGER AVAILABLE, Not available online / Call for pricing and availability
6	PE110024	MOTOR FAN Y0042226	1	EA	NO LONGER AVAILABLE
7	A2002950	DIVIDER - VESO/VEDO	1	EA	NO LONGER AVAILABLE, Not available online / Call for pricing and availability
8	A2002956	FLOOR BRACE - VEDO205/VESO105	1	EA	NO LONGER AVAILABLE, Not available online / Call for pricing and availability
9	A2002168	DOOR LATCH BRKT (VDSC)	1	EA	
10	PE050112	DOOR LATCH	1	EA	
11	A2006304	EVEDO FALSE FLOOR	1	EA	NO LONGER AVAILABLE, Not available online / Call for pricing and availability
12	A1002955	FAN COVER (VEDO205)	1	EA	NO LONGER AVAILABLE, Not available online / Call for pricing and availability
13	A2002948	FAN DIVIDER - VESO/VEDO	1	EA	NO LONGER AVAILABLE, Not available online / Call for pricing and availability
14	PJ030005	SWITCH (HIGH-LIMIT) VDSC	1	EA	
15	PJ030006	SWITCH (COOLING FAN)	1	EA	

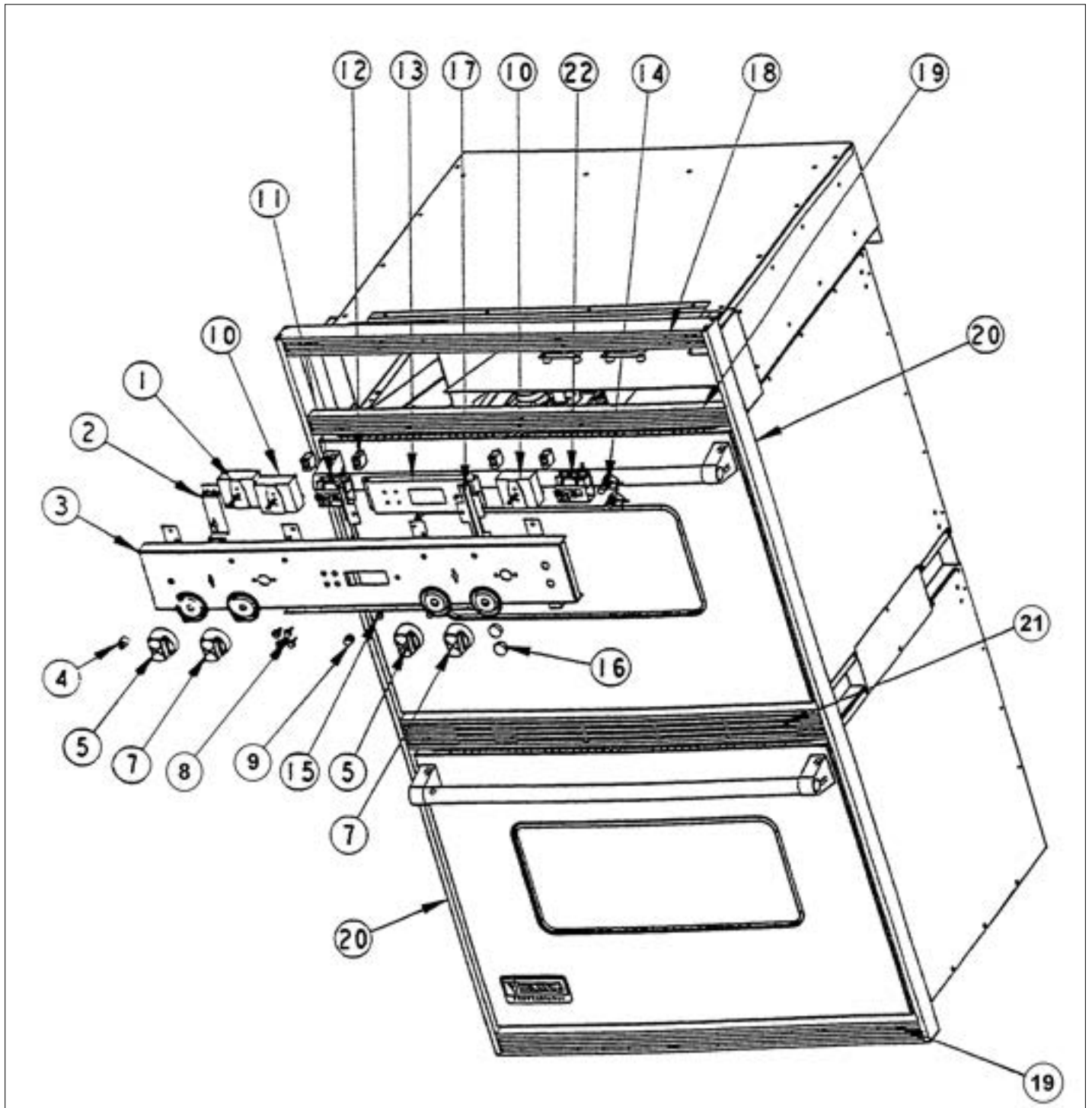


Item	Part No.	Name	Qty	Uom	NOTES
16	A2002911	FAN MTG BRKT	1	EA	NO LONGER AVAILABLE
17	A2002952	FLOOR BRACE - VESO/VEDO	1	EA	NO LONGER AVAILABLE, Not available online / Call for pricing and availability
18	A2002951	FLOOR SUPT - VESO/VEDO	1	EA	NO LONGER AVAILABLE, Not available online / Call for pricing and availability
19	A1002456	THERMO-DISC BRKT (VDSC)	1	EA	
20	PM010029	RELAY (DOUBLE POLE-DOUBLE THROW)TEM	1	EA	
21	PM010029	RELAY (DOUBLE POLE-DOUBLE THROW)TEM	1	EA	
22	PD030033	GROMMET NUT-ROUND HD. #8 X .500DIA.	1	EA	
23	G5002958	SAIL SWITCH ASSY (VESO/VEDO)	1	EA	
24	A2002959	SAIL SWITCH MNTG. BRKT. (VESO/VEDO)	1	EA	
25	PE070148	SELF-CLEAN BOARD/TIMER (VDSC)	1	EA	
26	054135-000	BLOCK, TERMINAL, 6-POLE (Heyco # 9454)	1	EA	
27	A2002927	TOP COVER	1	EA	NO LONGER AVAILABLE, Not available online / Call for pricing and availability
28	A2002923	OVEN TOP INSUL. RET.	1	EA	NO LONGER AVAILABLE, Not available online / Call for pricing and availability
29	A2002909	VENT BTM	1	EA	NO LONGER AVAILABLE
30	A2002910	VENT TOP	1	EA	NO LONGER AVAILABLE
31	A2002954	CABINET COVER	1	EA	NO LONGER AVAILABLE, Not available online / Call for pricing and availability
32	PE110031	BLADE FAN Y0314548	1	EA	NO LONGER AVAILABLE



Item	Part No.	Name	Qty	Uom	NOTES
33	A1002456	THERMO-DISC BRKT (VDSC)	1	EA	
NI	PE050001	TERMINAL BOARD	1	EA	
NI	PE070246	20 WATT 100 OHM RESISTOR	1	EA	

CONTROL ASSY





Item	Part No.	Name	Qty	Uom	NOTES
1	PJ030010	SELECTOR SWITCH (3-POSITION)VEDO205	1	EA	
2	A2002932	MANUAL TIME BRKT (VEDO/VESO)	1	EA	NO LONGER AVAILABLE, Not available online / Call for pricing and availability
3	B9202924	CTRL PAN (VEDO205) *SS* *SLK SCR*	1	EA	
Not Shown	C9202924BK	CTRL PAN *BK* (VEDO205) *SLK SCR*	1	EA	
Not Shown	C9202924WH	CTRL PAN *WH* (VEDO205) *SLK SCR*	1	EA	NO LONGER AVAILABLE
4	PB010165	TIME MANUAL KNOB *BK* (VESO/VEDO)	1	EA	
Not Shown	PB010166	TIME MANUAL KNOB *WH* (VESO/VEDO)	1	EA	
5	PB010148	SELECTOR KNOB-*BK* (30"DOUBLE OVEN	1	EA	
Not Shown	PB010149	SELECTOR KNOB-*WH* (30" B-IN OVEN)	1	EA	
NI	PB010152	Bezel - SS	1	EA	
Not Shown	PB010153	Bezel - BR	1	EA	
6	PE040074	BTM TRIM-EXTRUDED (VESO105/VEDO2	1	EA	
7	PB010150	T/STAT KNOB-*BK* (30" B-IN OVEN)	1	EA	
Not Shown	PB010151	T/STAT KNOB-*WH* (30" B-IN OVEN)	1	EA	
8	PB010185BK	CLOCK BUTTON *BK* (VESO/VEDO)	4	EA	NO LONGER AVAILABLE
Not Shown	PB010185WH	CLOCK SET BUTTONS - WH	4	EA	Not available online / Call for pricing and availability
9	PB010184BK	CLOCK SET KNOB *BK* (VESO/VEDO) - NLA	1	EA	
PB010184WH	PB010184	CLOCK SET KNOB - WH	1	EA	
10	PJ030018	8 POS ROTARY SWITCH	1	EA	
11	PJ030003	THERMOSTAT (SELF CLEAN) VDSC	1	EA	



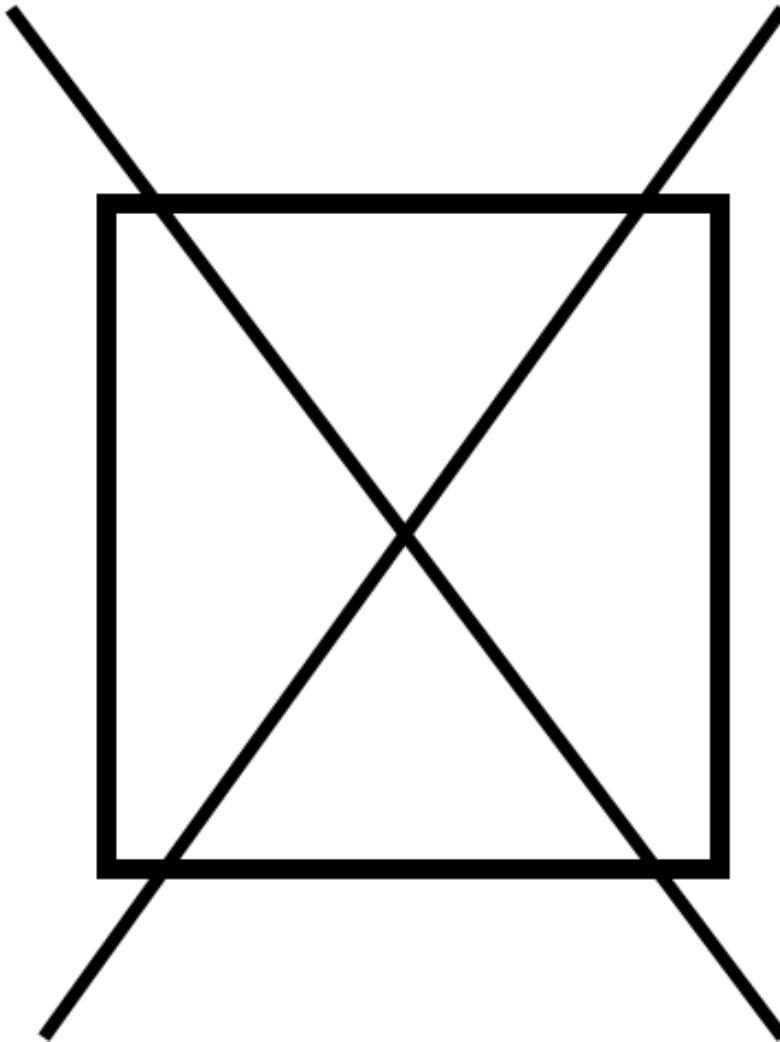
Item	Part No.	Name	Qty	Uom	NOTES
Comments for Part Num. PJ030003  boltz on Nov 21, 2017 See Bulletin 2005-03 Reply by steves@bendbroadband.com on Apr 10, 2018 what bulletin? bulletin should linked here. Reply by bradleysapplianceservice@shaw.ca on Sep 27, 2018 If you have access to Documoto then all you have to do is either run the part number PJ030003 or service bulletin number 2005-03AS in the main search field and all your answer will be there. It's Simple.					
12	PE050024	OVEN IND. LIGHT (LIGHT HOUSING)	1	EA	
Comments for Part Num. PE050024  haarnink@vikingrange.com on Jan 14, 2019 please not that the indicator light is now part 043135-000 but needs the Jumper harness 051443-000. and second option there are units in the field with a 230V indicator light part number 036566-000.  please check this for all "E" module ranges/Tops ksturm@vikingrange.com on Apr 22, 2019 please not that the indicator light is now part 043135-000 but needs the Jumper harness 051443-000. and second option there are units in the field with a 230V indicator light part number 036566-000.  please check this for all "E" module ranges/Tops					
13	PE050055	50 HZ ELECTRONIC CLOCK (VEDO/VESO)	1	EA	
14	PE050019	OVEN LIGHT SWITCH (VGSO166) 90-DEG.	1	EA	
15	PE050023	OVEN IND. LIGHT (LENS & BEZEL)	1	EA	NO LONGER AVAILABLE
16	PB010163	OVEN LIGHT SWITCH KNOB *BK* (VESO/D	1	EA	
Not Shown	PB010164	OVEN LIGHT SWITCH KNOB *WH* (VESO/D	1	EA	
17	A2002913	CLOCK MTG BRKT	1	EA	
18	PE040073	TOP TRIM-EXTRUDED (VESO105/VEDO205)	1	EA	
19	PE040076	PANEL VENT TRIM-EXTRUDED (VESO/VEDO	1	EA	
20	PE040069	SIDE TRIM-EXTRUDED (VEDO205)	1	EA	NO LONGER AVAILABLE



Item	Part No.	Name	Qty	Uom	NOTES
21	PE040075	CENTER TRIM-EXTRUDED (VEDO205)	1	EA	
22	PJ030012	THERMOSTAT (SELF-CLEAN) VESO/VEDO	1	EA	See Bulletin 2005-03
Comments for Part Num. PJ030012					
boltz on Nov 21, 2017 See Bulletin 2005-03					
NI	PM010129	RELAY	1	EA	
NI	PJ030002	AUTO RESET (SELF-CLEAN) VDSC	1	EA	
NI	PE070210	TRANSFORMER (2 X 60V) 6,67A	1	EA	NO LONGER AVAILABLE
NI	G4001561	SPARK MODULE/WH TERM BLOCK (6")	1	EA	NO LONGER AVAILABLE, Not available online / Call for pricing and availability

## FUNCTIONAL PARTS

NON  
ILLUSTRATED PART

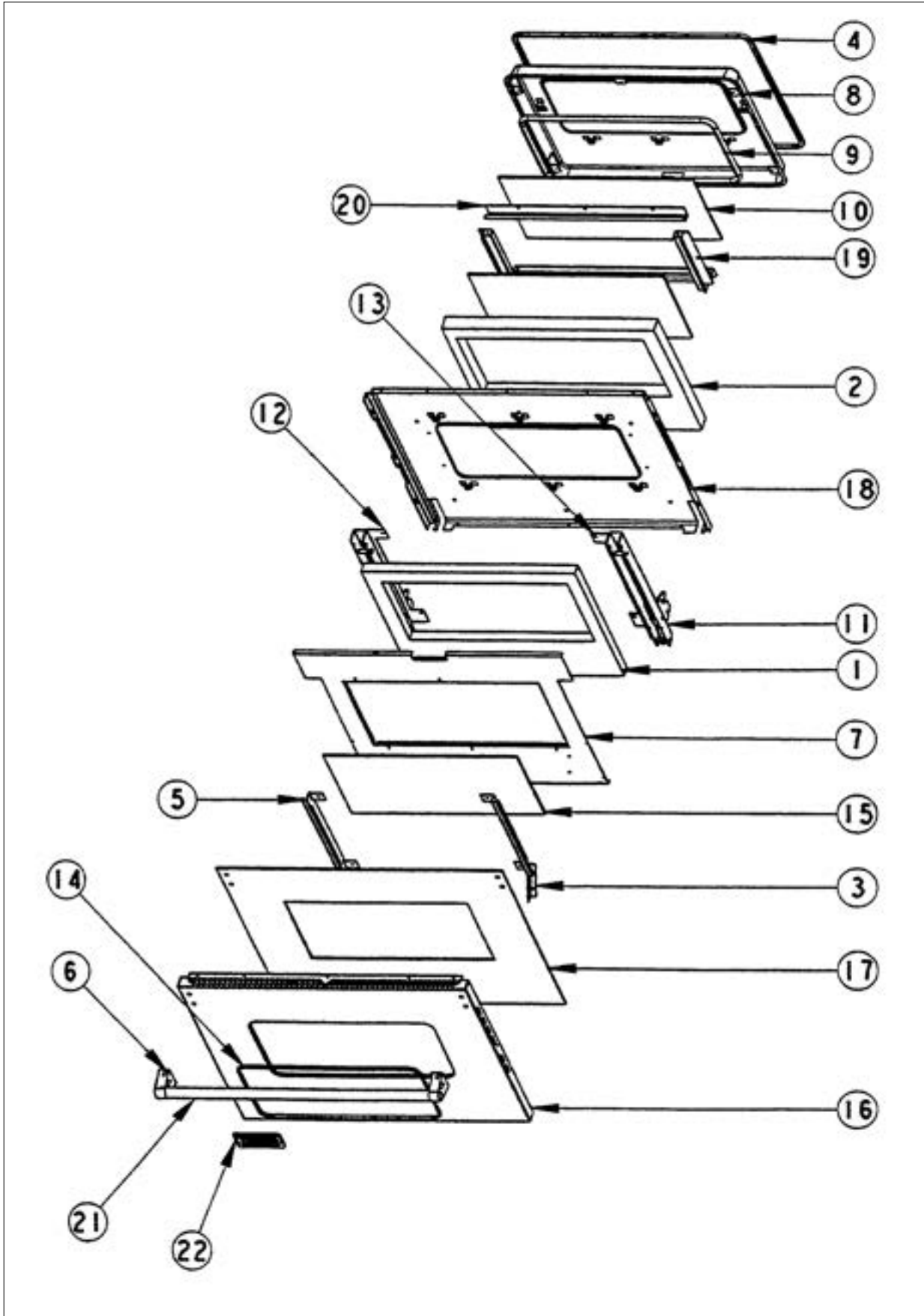




Item	Part No.	Name	Qty	Uom	NOTES
1	PE070246	20 WATT 100 OHM RESISTOR	1	EA	
2	PJ030010	SELECTOR SWITCH (3-POSITION)VEDO205	1	EA	
3	PJ030018	8 POS ROTARY SWITCH	1	EA	
4	PJ030002	AUTO RESET (SELF-CLEAN) VDSC	1	EA	
5	PJ030002	AUTO RESET (SELF-CLEAN) VDSC	1	EA	
6	PJ010004	BAKE ELEMENT (VDSC) 240V	1	EA	
7	PJ010001	BROIL ELEMENT 240V	1	EA	
8	PE050055	50 HZ ELECTRONIC CLOCK (VEDO/VESO)	1	EA	
9	PJ010003	CONVECTION ELEMENT (VDSC) 240V	1	EA	NO LONGER AVAILABLE
10	PE050005	CONVECTION FAN ASSY	1	EA	
11	PE110024	MOTOR FAN Y0042226	1	EA	NO LONGER AVAILABLE
12	PE050053	DR LATCH REPL PE050020	1	EA	
<p>Comments for Part Num. PE050053</p> <p>profixappliances@gmail.com on Oct 8, 2019</p> <p>UNIT DEDO200SS, 121203C0000000562 - USES SELF CLEAN LATCH PE050112 WITH HOOK POINTED "DOWN"</p>					
13	PJ030002	AUTO RESET (SELF-CLEAN) VDSC	1	EA	
14	PJ010002	BROIL ELEMENT(MAXI)-SIDE (VDSC)240V	1	EA	
15	PE050019	OVEN LIGHT SWITCH (VGSO166) 90-DEG.	1	EA	
16	PM010129	RELAY	1	EA	
17	PM010029	RELAY (DOUBLE POLE-DOUBLE THROW)TEM	1	EA	
18	PM010029	RELAY (DOUBLE POLE-DOUBLE THROW)TEM	1	EA	
19	G5002958	SAIL SWITCH ASSY (VESO/VEDO)	1	EA	
20	A2002959	SAIL SWITCH MNTG. BRKT. (VESO/VEDO)	1	EA	
21	PE070148	SELF-CLEAN BOARD/TIMER (VDSC)	1	EA	
22	PM010014	SMOKE ELIMINATOR (VDSC)	1	EA	

Item	Part No.	Name	Qty	Uom	NOTES
23	G4001561	SPARK MODULE/WH TERM BLOCK (6")	1	EA	NO LONGER AVAILABLE, Not available online / Call for pricing and availability
24	PJ030006	SWITCH (COOLING FAN)	1	EA	
25	PJ030005	SWITCH (HIGH-LIMIT) VDSC	1	EA	
26	054135-000	BLOCK, TERMINAL, 6-POLE (Heyco # 9454)	1	EA	
27	PE050001	TERMINAL BOARD	1	EA	
28	PJ030012	THERMOSTAT (SELF-CLEAN) VESO/VEDO	1	EA	See Bulletin 2005-03
Comments for Part Num. PJ030012  boltz on Nov 21, 2017 See Bulletin 2005-03					
29	PJ030003	THERMOSTAT (SELF CLEAN) VDSC	1	EA	
Comments for Part Num. PJ030003  boltz on Nov 21, 2017 See Bulletin 2005-03 Reply by steves@bendbroadband.com on Apr 10, 2018 what bulletin? bulletin should linked here. Reply by bradleysapplianceservice@shaw.ca on Sep 27, 2018 If you have access to Documoto then all you have to do is either run the part number PJ030003 or service bulletin number 2005-03AS in the main search field and all your answer will be there. It's Simple.					
30	PE070210	TRANSFORMER (2 X 60V) 6,67A	1	EA	NO LONGER AVAILABLE

LOWER DOOR ASSY





Item	Part No.	Name	Qty	Uom	NOTES
1	PB070034	INSULATION-TRS-10 1" X 20" X 77' ROLL	1	EA	NO LONGER AVAILABLE
2	PB070038	TRS-10 2" X 24" X 3' INSULATION	1	EA	
3	A2002497	DOOR GUIDE ANGLE VDSC	1	EA	
4	000623-000	DOOR GASKET(3/8"DIA.) (VDSC)	1	EA	
5	A2002367	DOOR GLASS BRKT	1	EA	
6	000268-000	HANDLE ENDCAP	1	EA	
Not Shown	PE030001PVD	END CAP DOOR HANDLE *BR	1	EA	
7	A2002930	DOOR INSUL. RET. FORMED	1	EA	
8	G9102745	DR PG ASSY VDSC30/48" RE H9102175 (Before 12/20/2012)	1	EA	
9	000594-000	BLACK FIBERGLASS ROPE 3/8"	1	EA	
10	PE060039	GLASS-HEAT TREATED (HB2) VDSC	1	EA	
11	PC020188	DOOR HINGE	1	EA	
12	A2002960	HINGE BRACKET - LH (VEDO/VESO)	1	EA	
13	A2002962	HINGE BRACKET - RH (VEDO/VESO)	1	EA	
14	PE060031	J-MOLD (LARGE WINDOW)	1	EA	
Not Shown	PE060045	J-MOLD (LARGE WINDOW) *BR*	1	EA	
15	PE060030	GLASS-OUTER DOOR BK SCREENED, TEMP	1	EA	
16	B2002931	O/S DOOR PANEL *SS* (VEDO/VESO)	1	EA	
Not Shown	C9002931*	O/S DOOR PANEL	1	EA	Not available online / Call for pricing and availability
17	J1002939	OVEN DR HEAT SINK (VESO/DO)	1	EA	
18	G9102928	OVEN DR LINER ASSY (VEDO/VESO)	1	EA	
19	E9102179	WINDOW LINER-SIDE (VDSC)	1	EA	
20	E9102178	WINDOW LINER-TOP/BTM (VDSC)	1	EA	



Item	Part No.	Name	Qty	Uom	NOTES
21	PE030036	DOOR HANDLE *SS* (VESO/VEDO) 26.935	1	EA	
Not Shown	F0002944BR	DOOR HANDLE-VEDO/VESO (CUT-TO-SIZE)	1	EA	NO LONGER AVAILABLE
22	PE010016	LOGO (ALL RANGES) *BK/CHR 307997W	1	EA	
Not Shown	PE010079	4.5" LOGO/VIKING PROF *BK/BR	1	EA	
Not Shown	PE010017	LOGO (VGSO,VEDO,VGDO,VUD) *WH/CHR	1	EA	
Not Shown	PE010080	4.5" LOGO/VIKING PROF *WH/BR	1	EA	
NI	G3202937AL	DOOR ASSY *AL* (VESO/VEDO)	1	EA	NO LONGER AVAILABLE, Not available online / Call for pricing and availability
Not Shown	G3202937ALBR	DOOR ASSY *AL**BR* (VESO/VEDO)	1	EA	NO LONGER AVAILABLE, Not available online / Call for pricing and availability
Not Shown	G3202937BK	DOOR ASSY *BK* (VESO/VEDO)	1	EA	NO LONGER AVAILABLE, Not available online / Call for pricing and availability
Not Shown	G3202937BKBR	DOOR ASSY *BK**BR* (VESO/VEDO)	1	EA	NO LONGER AVAILABLE, Not available online / Call for pricing and availability
Not Shown	G3202937BT	DOOR ASSY *BT* (VESO/VEDO)	1	EA	NO LONGER AVAILABLE, Not available online / Call for pricing and availability
Not Shown	G3202937BTBR	DOOR ASSY *BT**BR* (VESO/VEDO)	1	EA	NO LONGER AVAILABLE, Not available online / Call for pricing and availability
Not Shown	G3202937BU	DOOR ASSY *BU* (VESO/VEDO)	1	EA	NO LONGER AVAILABLE
Not Shown	G3202937BUBR	DOOR ASSY *BU**BR* (VESO/VEDO)	1	EA	NO LONGER AVAILABLE, Not available online / Call for pricing and availability





Item	Part No.	Name	Qty	Uom	NOTES
Not Shown	G3202937CB	DOOR ASSY *CB* (VESO/VEDO)	1	EA	NO LONGER AVAILABLE
Not Shown	G3202937CBBR	DOOR ASSY *CB**BR* (VESO/VEDO)	1	EA	NO LONGER AVAILABLE, Not available online / Call for pricing and availability
Not Shown	G3202937EP	DOOR ASSY *EP* (VESO/VEDO)	1	EA	NO LONGER AVAILABLE, Not available online / Call for pricing and availability
Not Shown	G3202937EPBR	DOOR ASSY *EP**BR* (VESO/VEDO)	1	EA	NO LONGER AVAILABLE, Not available online / Call for pricing and availability
Not Shown	G3202937FG	DOOR ASSY *FG* (VESO/VEDO)	1	EA	NO LONGER AVAILABLE, Not available online / Call for pricing and availability
Not Shown	G3202937FGBR	DOOR ASSEMBLY - FGBR	1	EA	Not available online / Call for pricing and availability
Not Shown	G3202937GG	DOOR ASSY *GG* (VESO/VEDO)	1	EA	NO LONGER AVAILABLE, Not available online / Call for pricing and availability
Not Shown	G3202937GGBR	DOOR ASSY *GG*BR* (VESO/VEDO)	1	EA	NO LONGER AVAILABLE, Not available online / Call for pricing and availability
Not Shown	G3202937LE	DOOR ASSY *LE* (VESO/VEDO)	1	EA	NO LONGER AVAILABLE, Not available online / Call for pricing and availability
Not Shown	G3202937LEBR	DOOR ASSY *LE**BR* (VESO/VEDO)	1	EA	NO LONGER AVAILABLE, Not available online / Call for pricing and availability
Not Shown	G3202937LN	DOOR ASSY *LN* (VESO/VEDO)	1	EA	NO LONGER AVAILABLE, Not available online / Call for pricing and availability

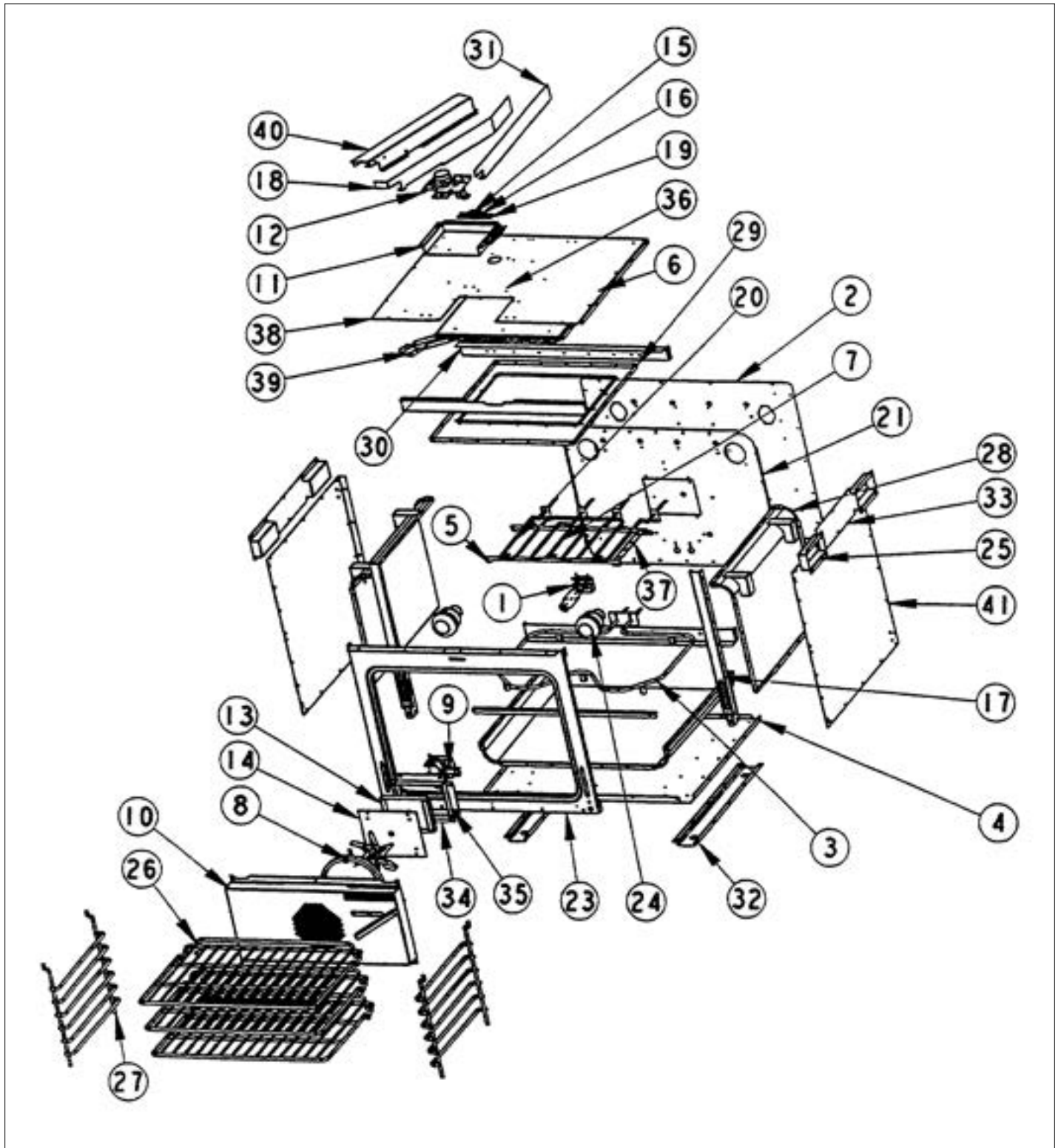


Item	Part No.	Name	Qty	Uom	NOTES
Not Shown	G3202937LNBR	DOOR ASSEMBLY - LNBR	1	EA	Not available online / Call for pricing and availability
Not Shown	G3202937MJ	DOOR ASSY *MJ* (VESO/VEDO)	1	EA	NO LONGER AVAILABLE, Not available online / Call for pricing and availability
Not Shown	G3202937MJBR	DOOR ASSY *MJ**BR* (VESO/VEDO)	1	EA	NO LONGER AVAILABLE, Not available online / Call for pricing and availability
Not Shown	G3202937PL	DOOR ASSY *PL* (VESO/VEDO)	1	EA	NO LONGER AVAILABLE, Not available online / Call for pricing and availability
Not Shown	G3202937PLBR	DOOR ASSY *PL**BR* (VESO/VEDO)	1	EA	NO LONGER AVAILABLE, Not available online / Call for pricing and availability
Not Shown	G3202937SG	DOOR ASSY *SG* (VESO/VEDO)	1	EA	NO LONGER AVAILABLE, Not available online / Call for pricing and availability
Not Shown	G3202937SGBR	DOOR ASSY *SG**BR* (VESO/VEDO)	1	EA	NO LONGER AVAILABLE, Not available online / Call for pricing and availability
Not Shown	G3202937SS	DOOR ASSY *SS* (VESO/VEDO)	1	EA	
Not Shown	G3202937SSBR	DOOR ASSY *SS**BR* (VESO/VEDO)	1	EA	NO LONGER AVAILABLE
Not Shown	G3202937VB	DOOR ASSY *VB* (VESO/VEDO)	1	EA	NO LONGER AVAILABLE, Not available online / Call for pricing and availability
Not Shown	G3202937VBBR	DOOR ASSY *VB**BR*(VESO/VEDO)	1	EA	NO LONGER AVAILABLE, Not available online / Call for pricing and availability
Not Shown	G3202937WH	DOOR ASSY *WH* (VESO/VEDO)	1	EA	NO LONGER AVAILABLE, Not available online / Call for pricing and availability



Item	Part No.	Name	Qty	Uom	NOTES
Not Shown	G3202937WHBR	DOOR ASSY *WH**BR* (VESO/VEDO) WH/B	1	EA	NO LONGER AVAILABLE, Not available online / Call for pricing and availability

LOWER OVEN ASSY





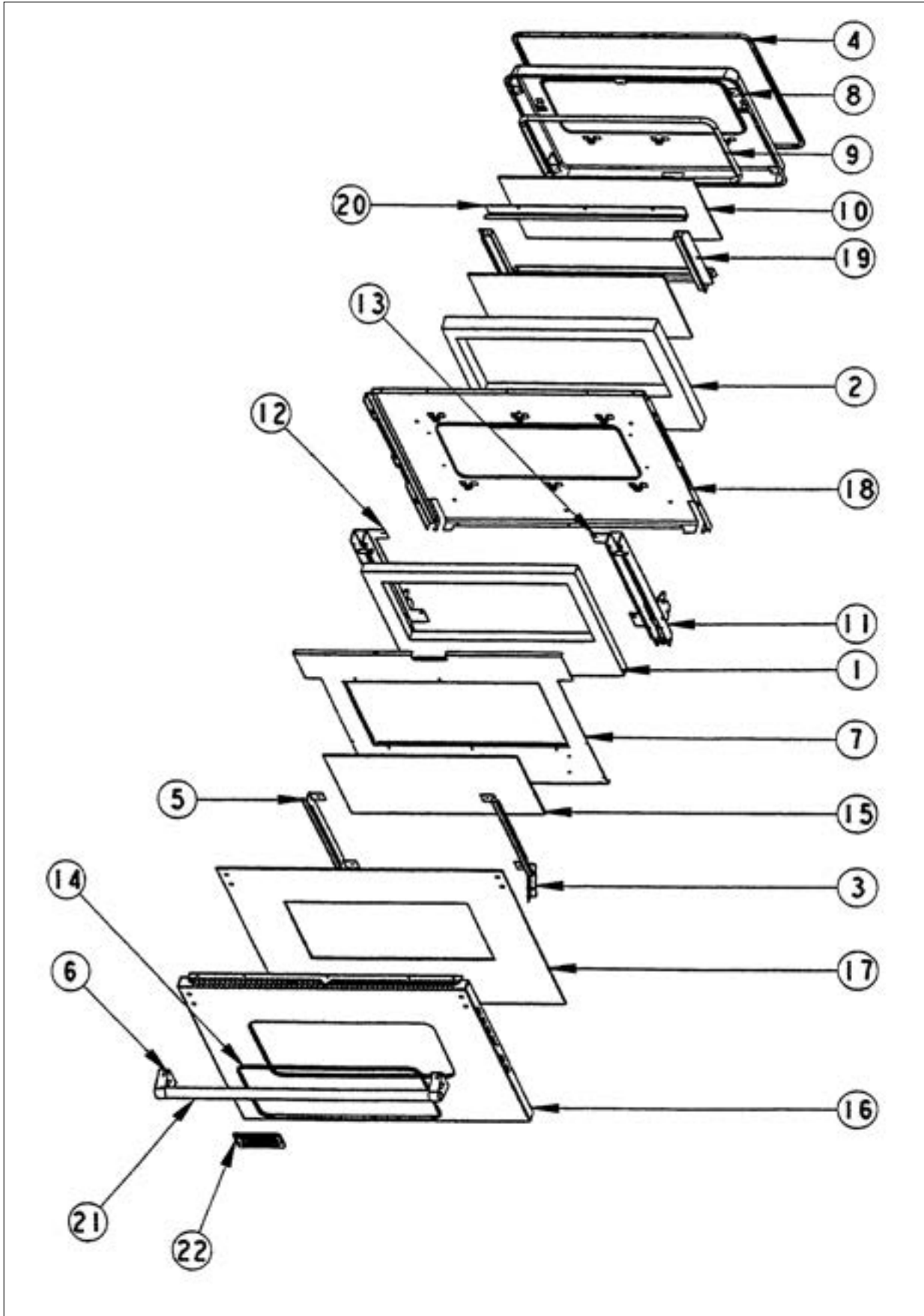
Item	Part No.	Name	Qty	Uom	NOTES
1	PJ030002	AUTO RESET (SELF-CLEAN) VDSC	1	EA	
2	A1002905	BACK INSULATION RETAINER - VESO/VEDO	1	EA	NO LONGER AVAILABLE, Not available online / Call for pricing and availability
3	PJ010004	BAKE ELEMENT (VDSC) 240V	1	EA	
4	A2002961	BOTTOM INSULATION RETAINER(VEDO/SO)	1	EA	NO LONGER AVAILABLE
5	B2002185	BROIL ELEMENT BRKT (VDSC)	1	EA	
6	B2002167	BROILER TOP (VDSC)	1	EA	NO LONGER AVAILABLE
7	PJ010001	BROIL ELEMENT 240V	1	EA	
8	PJ010003	CONVECTION ELEMENT (VDSC) 240V	1	EA	NO LONGER AVAILABLE
9	PE050005	CONVECTION FAN ASSY	1	EA	
10	E9102170	CONVECTION FAN COVER	1	EA	
11	A2002168	DOOR LATCH BRKT (VDSC)	1	EA	
12	PE050112	DOOR LATCH	1	EA	
13	A2002595	CONVECTION FAN BOX (VDSC)	1	EA	
14	A1002596	CONVECTION FAN COVER (VDSC)	1	EA	
15	PJ030005	SWITCH (HIGH-LIMIT) VDSC	1	EA	
16	PJ030006	SWITCH (COOLING FAN)	1	EA	
17	PC020016	HINGE RECEIVER (VEDO/VEDO)	1	EA	
18	A2002920	LEFT AIR CHANNEL	1	EA	NO LONGER AVAILABLE, Not available online / Call for pricing and availability
19	A1002456	THERMO-DISC BRKT (VDSC)	1	EA	
20	PJ010002	BROIL ELEMENT(MAXI)-SIDE (VDSC)240V	1	EA	
21	E9102741	OVEN BACK (VDSC30)	1	EA	NO LONGER AVAILABLE, Not available online / Call for pricing and availability
22	E9102152	OVEN BTM (VDSC)	1	EA	NO LONGER AVAILABLE

Item	Part No.	Name	Qty	Uom	NOTES
23	G9102901	OVEN FRONT FRAME ASSY (VEDO/VESO)	1	EA	NO LONGER AVAILABLE
24	031449-000	LAMP, ASM	1	EA	
25	A2002919	OVEN MOUNTING BRKT	1	EA	NO LONGER AVAILABLE, Not available online / Call for pricing and availability
26	PB060044	OVEN RK VDSC30/48RH REPL PB060019	1	EA	
27	PB060030	RACK SUPT REPL PB060010	1	EA	
28	G9102736	OVEN SIDE ASSY (VDSC)	1	EA	NO LONGER AVAILABLE, Not available online / Call for pricing and availability
29	E9102153	OVEN TOP (VDSC)	1	EA	NO LONGER AVAILABLE
30	A2002158	REAR OVEN SUPT (VDSC)	1	EA	NO LONGER AVAILABLE, Not available online / Call for pricing and availability
31	A2002921	RIGHT AIR CHANNEL	1	EA	NO LONGER AVAILABLE, Not available online / Call for pricing and availability
32	A2002902	RUNNER	1	EA	NO LONGER AVAILABLE, Not available online / Call for pricing and availability
33	A1002953	SIDE COVER - VESO/VEDO	1	EA	NO LONGER AVAILABLE, Not available online / Call for pricing and availability
34	A2008467	INSULATION SHIELD	1	EA	
35	A2001746	SIDE FAN SHIELD	1	EA	Not available online / Call for pricing and availability
36	PM010014	SMOKE ELIMINATOR (VDSC)	1	EA	
37	B2002489	THERMAL BULB SHIELD (VDSC)	1	EA	



Item	Part No.	Name	Qty	Uom	NOTES
38	A2002923	OVEN TOP INSUL. RET.	1	EA	NO LONGER AVAILABLE, Not available online / Call for pricing and availability
39	A2002909	VENT BTM	1	EA	NO LONGER AVAILABLE
40	A2002910	VENT TOP	1	EA	NO LONGER AVAILABLE
41	A2002904	SIDE INSULATION RETAINER	1	EA	NO LONGER AVAILABLE, Not available online / Call for pricing and availability

UPPER DOOR ASSY







Item	Part No.	Name	Qty	Uom	NOTES
1	PB070034	INSULATION-TRS-10 1" X 20" X 77' ROLL	1	EA	NO LONGER AVAILABLE
2	PB070038	TRS-10 2" X 24" X 3' INSULATION	1	EA	
3	A2002497	DOOR GUIDE ANGLE VDSC	1	EA	
4	000623-000	DOOR GASKET(3/8"DIA.) (VDSC)	1	EA	
5	A2002367	DOOR GLASS BRKT	1	EA	
6	000268-000	HANDLE ENDCAP	1	EA	
Not Shown	PE030001PVD	END CAP DOOR HANDLE *BR	1	EA	
7	A2002930	DOOR INSUL. RET. FORMED	1	EA	
8	G9102745	DR PG ASSY VDSC30/48" RE H9102175 (Before 12/20/2012)	1	EA	
9	000594-000	BLACK FIBERGLASS ROPE 3/8"	1	EA	
10	PE060039	GLASS-HEAT TREATED (HB2) VDSC	1	EA	
11	PC020188	DOOR HINGE	1	EA	
12	A2002960	HINGE BRACKET - LH (VEDO/VESO)	1	EA	
13	A2002962	HINGE BRACKET - RH (VEDO/VESO)	1	EA	
14	PE060031	J-MOLD (LARGE WINDOW)	1	EA	
Not Shown	PE060045	J-MOLD (LARGE WINDOW) *BR*	1	EA	
15	PE060030	GLASS-OUTER DOOR BK SCREENED, TEMP	1	EA	
16	B2002940	O/S DOOR PANEL *SS* (VEDO205)	1	EA	
Not Shown	C9002940*	OUTER DOOR PANEL - AL	1	EA	Not available online / Call for pricing and availability
17	J1002939	OVEN DR HEAT SINK (VESO/DO)	1	EA	
18	G9102928	OVEN DR LINER ASSY (VEDO/VESO)	1	EA	
19	E9102179	WINDOW LINER-SIDE (VDSC)	1	EA	
20	E9102178	WINDOW LINER-TOP/BTM (VDSC)	1	EA	



Item	Part No.	Name	Qty	Uom	NOTES
21	PE030036	DOOR HANDLE *SS* (VESO/VEDO) 26.935	1	EA	
Not Shown	F0002944BR	DOOR HANDLE-VEDO/VESO (CUT-TO-SIZE)	1	EA	NO LONGER AVAILABLE
NI	G3202938AL	UPPER DOOR ASSY *AL* (VEDO)	1	EA	NO LONGER AVAILABLE, Not available online / Call for pricing and availability
Not Shown	G3202938ALBR	UPPER DOOR ASSY *AL**BR* (VEDO)	1	EA	NO LONGER AVAILABLE, Not available online / Call for pricing and availability
Not Shown	G3202938BK	UPPER DOOR ASSY *BK* (VEDO)	1	EA	NO LONGER AVAILABLE, Not available online / Call for pricing and availability
Not Shown	G3202938BKBR	UPPER DOOR ASSY *BK*BR* (VEDO)	1	EA	NO LONGER AVAILABLE, Not available online / Call for pricing and availability
Not Shown	G3202938BT	UPPER DOOR ASSY *BT* (VEDO)	1	EA	NO LONGER AVAILABLE
Not Shown	G3202938BTBR	UPPER DOOR ASSY *BT**BR* (VEDO)	1	EA	NO LONGER AVAILABLE, Not available online / Call for pricing and availability
Not Shown	G3202938BU	UPPER DOOR ASSY *BU* (VEDO)	1	EA	NO LONGER AVAILABLE, Not available online / Call for pricing and availability
Not Shown	G3202938BUBR	UPPER DOOR ASSY *BU**BR* (VEDO)	1	EA	NO LONGER AVAILABLE, Not available online / Call for pricing and availability
Not Shown	G3202938CB	UPPER DOOR ASSY *CB* (VEDO)	1	EA	NO LONGER AVAILABLE, Not available online / Call for pricing and availability
Not Shown	G3202938CBBR	UPPER DOOR ASSY *CB**BR* (VEDO)	1	EA	NO LONGER AVAILABLE, Not available online / Call for pricing and availability

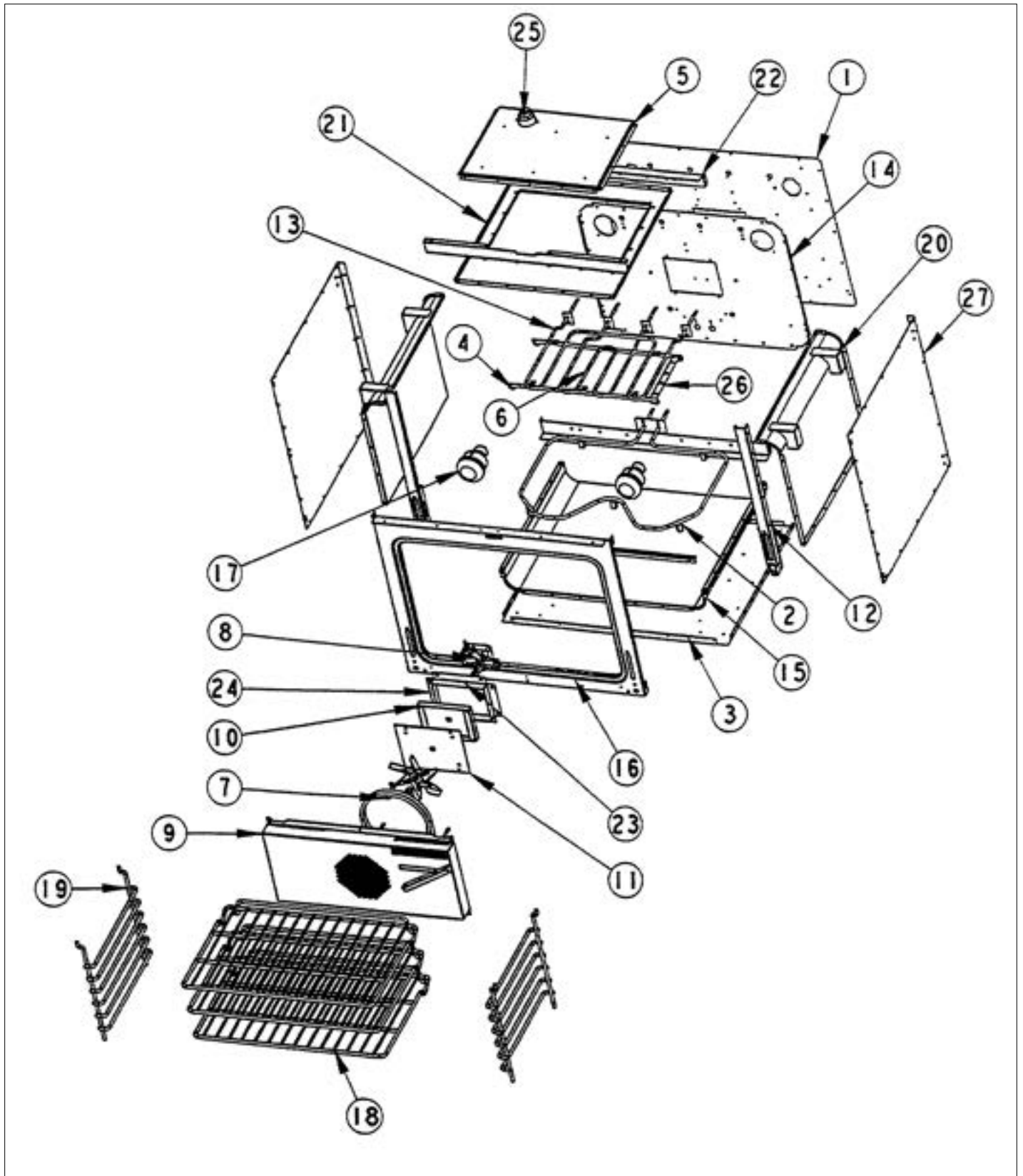


Item	Part No.	Name	Qty	Uom	NOTES
Not Shown	G3202938EP	UPPER DOOR ASSY *EP* (VEDO)	1	EA	NO LONGER AVAILABLE, Not available online / Call for pricing and availability
Not Shown	G3202938EPBR	UPPER DOOR ASSY *EP**BR* (VEDO)	1	EA	NO LONGER AVAILABLE, Not available online / Call for pricing and availability
Not Shown	G3202938FG	UPPER DOOR ASSY *FG* (VEDO)	1	EA	NO LONGER AVAILABLE, Not available online / Call for pricing and availability
Not Shown	G3202938FGBR	UPPER DOOR ASSY *FG**BR* (VEDO)	1	EA	NO LONGER AVAILABLE, Not available online / Call for pricing and availability
Not Shown	G3202938GG	UPPER DOOR ASSY *GG* (VEDO)	1	EA	NO LONGER AVAILABLE, Not available online / Call for pricing and availability
Not Shown	G3202938GGBR	UPPER DOOR ASSY *GG**BR* (VEDO)	1	EA	NO LONGER AVAILABLE, Not available online / Call for pricing and availability
Not Shown	G3202938LE	UPPER DOOR ASSY *LE* (VEDO)	1	EA	NO LONGER AVAILABLE, Not available online / Call for pricing and availability
Not Shown	G3202938LEBR	UPPER DOOR ASSY *LE**BR* (VEDO)	1	EA	NO LONGER AVAILABLE, Not available online / Call for pricing and availability
Not Shown	G3202938LN	UPPER DOOR ASSY *LN* (VEDO)	1	EA	NO LONGER AVAILABLE, Not available online / Call for pricing and availability
Not Shown	G3202938LNBR	UPPER DOOR ASSY *LN**BR* (VEDO)	1	EA	NO LONGER AVAILABLE, Not available online / Call for pricing and availability



Item	Part No.	Name	Qty	Uom	NOTES
Not Shown	G3202938MJ	UPPER DOOR ASSY *MJ* (VEDO)	1	EA	NO LONGER AVAILABLE, Not available online / Call for pricing and availability
Not Shown	G3202938MJBR	UPPER DOOR ASSY *MJ**BR* (VEDO)	1	EA	NO LONGER AVAILABLE, Not available online / Call for pricing and availability
Not Shown	G3202938PL	UPPER DOOR ASSY *PL* (VEDO)	1	EA	NO LONGER AVAILABLE, Not available online / Call for pricing and availability
Not Shown	G3202938PLBR	UPPER DOOR ASSY *PL**BR* (VEDO)	1	EA	NO LONGER AVAILABLE, Not available online / Call for pricing and availability
Not Shown	G3202938SG	UPPER DOOR ASSY *SG* (VEDO)	1	EA	NO LONGER AVAILABLE, Not available online / Call for pricing and availability
Not Shown	G3202938SGBR	UPPER DOOR ASSY *SG**BR* (VEDO)	1	EA	NO LONGER AVAILABLE, Not available online / Call for pricing and availability
Not Shown	G3202938SS	UPPER DOOR ASSY *SS* (VEDO)	1	EA	NO LONGER AVAILABLE
Not Shown	G3202938SSBR	UPPER DOOR ASSY *SS**BR* (VEDO)	1	EA	NO LONGER AVAILABLE
Not Shown	G3202938VB	UPPER DOOR ASSY *VB* (VEDO)	1	EA	NO LONGER AVAILABLE, Not available online / Call for pricing and availability
Not Shown	G3202938VBBR	UPPER DOOR ASSY *VB**BR* (VEDO)	1	EA	NO LONGER AVAILABLE, Not available online / Call for pricing and availability
Not Shown	G3202938WH	UPPER DOOR ASSY *WH* (VEDO)	1	EA	NO LONGER AVAILABLE
Not Shown	G3202938WHBR	UPPER DOOR ASSY *WH**BR* (VEDO)	1	EA	NO LONGER AVAILABLE, Not available online / Call for pricing and availability

UPPER OVEN ASSY





Item	Part No.	Name	Qty	Uom	NOTES
1	A1002905	BACK INSULATION RETAINER - VESO/VEDO	1	EA	NO LONGER AVAILABLE, Not available online / Call for pricing and availability
2	PJ010004	BAKE ELEMENT (VDSC) 240V	1	EA	
3	A2002961	BOTTOM INSULATION RETAINER(VEDO/SO)	1	EA	NO LONGER AVAILABLE
4	B2002185	BROIL ELEMENT BRKT (VDSC)	1	EA	
5	B2002167	BROILER TOP (VDSC)	1	EA	NO LONGER AVAILABLE
6	PJ010001	BROIL ELEMENT 240V	1	EA	
7	PJ010003	CONVECTION ELEMENT (VDSC) 240V	1	EA	NO LONGER AVAILABLE
8	PE050005	CONVECTION FAN ASSY	1	EA	
9	E9102170	CONVECTION FAN COVER	1	EA	
10	A2002595	CONVECTION FAN BOX (VDSC)	1	EA	
11	A1002596	CONVECTION FAN COVER (VDSC)	1	EA	
12	PC020016	HINGE RECEIVER (VEDO/VEDO)	1	EA	
13	PJ010002	BROIL ELEMENT(MAXI)-SIDE (VDSC)240V	1	EA	
14	E9102741	OVEN BACK (VDSC30)	1	EA	NO LONGER AVAILABLE, Not available online / Call for pricing and availability
15	E9102152	OVEN BTM (VDSC)	1	EA	NO LONGER AVAILABLE
16	G9102901	OVEN FRONT FRAME ASSY (VEDO/VESO)	1	EA	NO LONGER AVAILABLE
17	031449-000	LAMP, ASM	1	EA	
18	PB060044	OVEN RK VDSC30/48RH REPL PB060019	1	EA	
19	PB060030	RACK SUPT REPL PB060010	1	EA	
20	G9102736	OVEN SIDE ASSY (VDSC)	1	EA	NO LONGER AVAILABLE, Not available online / Call for pricing and availability
21	E9102153	OVEN TOP (VDSC)	1	EA	NO LONGER AVAILABLE



Item	Part No.	Name	Qty	Uom	NOTES
22	A2002158	REAR OVEN SUPT (VDSC)	1	EA	NO LONGER AVAILABLE, Not available online / Call for pricing and availability
23	A2008467	INSULATION SHIELD	1	EA	
24	A2001746	SIDE FAN SHIELD	1	EA	Not available online / Call for pricing and availability
25	PM010014	SMOKE ELIMINATOR (VDSC)	1	EA	
26	B2002489	THERMAL BULB SHIELD (VDSC)	1	EA	
27	A2002904	SIDE INSULATION RETAINER	1	EA	NO LONGER AVAILABLE, Not available online / Call for pricing and availability



Appendix A:Pages Index

CABINET ASSY ..... 1  
CONTROL ASSY ..... 2  
FUNCTIONAL PARTS ..... 3  
LOWER DOOR ASSY ..... 4  
LOWER OVEN ASSY ..... 5  
UPPER DOOR ASSY ..... 6  
UPPER OVEN ASSY ..... 7





Appendix B:Parts Index

000268-000	4, 6	A2002962	4, 6
000594-000	4, 6	A2006304	1
000623-000	4, 6	A2008467	5, 7
031449-000	5, 7	B2002167	5, 7
054135-000	1, 3	B2002185	5, 7
A1002456	1, 1, 5	B2002489	5, 7
A1002596	5, 7	B2002931	4
A1002905	5, 7	B2002940	6
A1002953	5	B9202924	2
A1002955	1	C9002931*	4
A2001746	5, 7	C9002940*	6
A2002158	5, 7	C9202924BK	2
A2002168	1, 5	C9202924WH	2
A2002367	4, 6	E9102152	5, 7
A2002497	4, 6	E9102153	5, 7
A2002595	5, 7	E9102170	5, 7
A2002902	5	E9102178	4, 6
A2002904	5, 7	E9102179	4, 6
A2002906	1, 1	E9102741	5, 7
A2002909	1, 5	E9102908	1
A2002910	1, 5	F0002944BR	4, 6
A2002911	1	G3202937AL	4
A2002913	2	G3202937ALBR	4
A2002919	5	G3202937BK	4
A2002920	5	G3202937BKBR	4
A2002921	5	G3202937BT	4
A2002923	1, 5	G3202937BTBR	4
A2002926	1	G3202937BU	4
A2002927	1	G3202937BUBR	4
A2002930	4, 6	G3202937CB	4
A2002932	2	G3202937CBBR	4
A2002948	1	G3202937EP	4
A2002950	1	G3202937EPBR	4
A2002951	1	G3202937FG	4
A2002952	1	G3202937FGBR	4
A2002954	1	G3202937GG	4
A2002956	1	G3202937GGBR	4
A2002959	1, 3	G3202937LE	4
A2002960	4, 6	G3202937LEBR	4
A2002961	5, 7	G3202937LN	4
		G3202937LNBR	4



G3202937MJ	4	G3202938VBBR	6
G3202937MJBR	4	G3202938WH	6
G3202937PL	4	G3202938WHBR	6
G3202937PLBR	4	G4001561	2, 3
G3202937SG	4	G5002958	1, 3
G3202937SGBR	4	G9102736	5, 7
G3202937SS	4	G9102745	4, 6
G3202937SSBR	4	G9102901	5, 7
G3202937VB	4	G9102928	4, 6
G3202937VBBR	4	J1002939	4, 6
G3202937WH	4	PB010148	2
G3202937WHBR	4	PB010149	2
G3202938AL	6	PB010150	2
G3202938ALBR	6	PB010151	2
G3202938BK	6	PB010152	2
G3202938BKBR	6	PB010153	2
G3202938BT	6	PB010163	2
G3202938BTBR	6	PB010164	2
G3202938BU	6	PB010165	2
G3202938BUBR	6	PB010166	2
G3202938CB	6	PB010184	2
G3202938CBBR	6	PB010184BK	2
G3202938EP	6	PB010185BK	2
G3202938EPBR	6	PB010185WH	2
G3202938FG	6	PB060030	5, 7
G3202938FGBR	6	PB060044	5, 7
G3202938GG	6	PB070034	4, 6
G3202938GGBR	6	PB070038	4, 6
G3202938LE	6	PC020016	5, 7
G3202938LEBR	6	PC020188	4, 6
G3202938LN	6	PD030033	1
G3202938LNBR	6	PE010016	4
G3202938MJ	6	PE010017	4
G3202938MJBR	6	PE010079	4
G3202938PL	6	PE010080	4
G3202938PLBR	6	PE030001PVD	4, 6
G3202938SG	6	PE030036	4, 6
G3202938SGBR	6	PE040069	2
G3202938SS	6	PE040073	2
G3202938SSBR	6	PE040074	2
G3202938VB	6	PE040075	2



PE040076 ..... 2  
PE050001 ..... 1, 3  
PE050005 ..... 3, 5, 7  
PE050019 ..... 2, 3  
PE050023 ..... 2  
PE050024 ..... 2  
PE050053 ..... 3  
PE050055 ..... 2, 3  
PE050112 ..... 1, 5  
PE060030 ..... 4, 6  
PE060031 ..... 4, 6  
PE060039 ..... 4, 6  
PE060045 ..... 4, 6  
PE070148 ..... 1, 3  
PE070210 ..... 2, 3  
PE070246 ..... 1, 3  
PE110024 ..... 1, 3  
PE110031 ..... 1  
PJ010001 ..... 3, 5, 7  
PJ010002 ..... 3, 5, 7  
PJ010003 ..... 3, 5, 7  
PJ010004 ..... 3, 5, 7  
PJ030002 ..... 1, 2, 3, 3, 3, 5  
PJ030003 ..... 2, 3  
PJ030005 ..... 1, 3, 5  
PJ030006 ..... 1, 3, 5  
PJ030010 ..... 2, 3  
PJ030012 ..... 2, 3  
PJ030018 ..... 2, 3  
PM010014 ..... 3, 5, 7  
PM010029 ..... 1, 1, 3, 3  
PM010129 ..... 2, 3