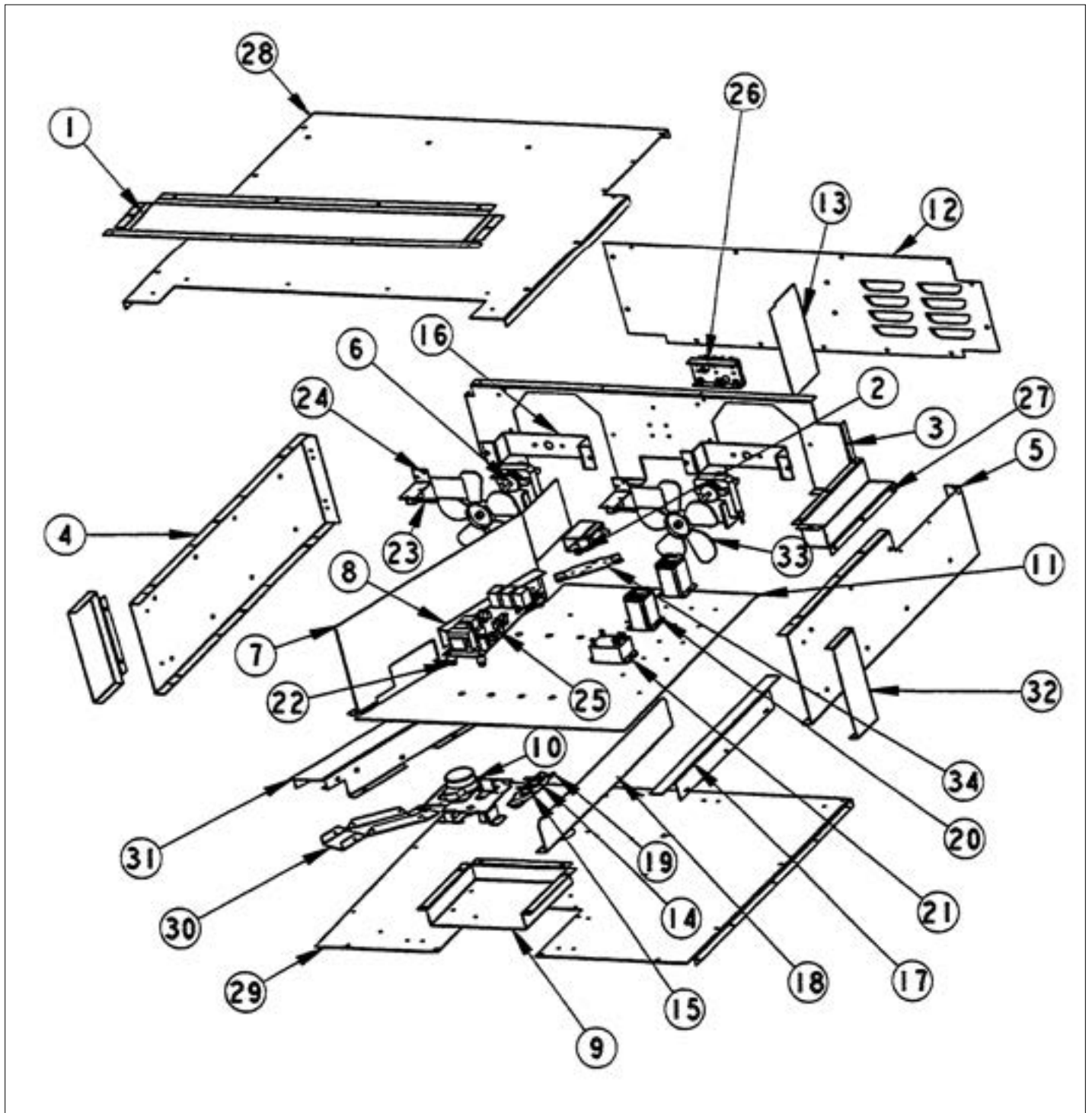


**EVESO105**

CABINET ASSY .....	1
CONTROL-RACK .....	2
DOOR ASSY .....	3
FUNCTIONAL PARTS .....	4
OVEN ASSY .....	5
Appendix A:Pages Index .....	A
Appendix B:Parts Index .....	B

## CABINET ASSY





Item	Part No.	Name	Qty	Uom	NOTES
1	E9102908	AIR VENT (VESO/VEDO)	1	EA	NO LONGER AVAILABLE
2	PJ030002	AUTO RESET (SELF-CLEAN) VDSC	1	EA	
3	A2002926	CABINET BACK - VEDO205	1	EA	NO LONGER AVAILABLE, Not available online / Call for pricing and availability
4	A2002906	CABINET SIDE	1	EA	NO LONGER AVAILABLE, Not available online / Call for pricing and availability
5	A2002965	CABINET SIDE RH (VESO105)	1	EA	NO LONGER AVAILABLE, Not available online / Call for pricing and availability
6	PE110024	MOTOR FAN Y0042226	1	EA	NO LONGER AVAILABLE
7	A2002950	DIVIDER - VESO/VEDO	1	EA	NO LONGER AVAILABLE, Not available online / Call for pricing and availability
8	A2002956	FLOOR BRACE - VEDO205/VESO105	1	EA	NO LONGER AVAILABLE, Not available online / Call for pricing and availability
9	A2002168	DOOR LATCH BRKT (VDSC)	1	EA	
10	PE050112	DOOR LATCH	1	EA	
11	A2002949	FALSE FLOOR - VESO/VEDO	1	EA	NO LONGER AVAILABLE, Not available online / Call for pricing and availability
12	A1002947	FAN COVER - VESO	1	EA	NO LONGER AVAILABLE, Not available online / Call for pricing and availability
13	A2002948	FAN DIVIDER - VESO/VEDO	1	EA	NO LONGER AVAILABLE, Not available online / Call for pricing and availability
14	PE050059	HI-LIMIT SWITCH	1	EA	



Item	Part No.	Name	Qty	Uom	NOTES
15	PJ030022	BI-METAL THERMOSTAT, 115 DEGREES (FAN SWITCH)	1	EA	
16	A2002911	FAN MTG BRKT	1	EA	NO LONGER AVAILABLE
17	A2002952	FLOOR BRACE - VESO/VEDO	1	EA	NO LONGER AVAILABLE, Not available online / Call for pricing and availability
18	A2002951	FLOOR SUPT - VESO/VEDO	1	EA	NO LONGER AVAILABLE, Not available online / Call for pricing and availability
19	A1002456	THERMO-DISC BRKT (VDSC)	1	EA	
20	PM010029	RELAY (DOUBLE POLE-DOUBLE THROW)TEM	1	EA	
21	PM010129	RELAY	1	EA	
22	PD030033	GROMMET NUT-ROUND HD. #8 X .500DIA.	1	EA	
23	G5002958	SAIL SWITCH ASSY (VESO/VEDO)	1	EA	
24	A2007442	HIGH LIMIT SWITCH BRACKET	1	EA	
25	PE070148	SELF-CLEAN BOARD/TIMER (VDSC)	1	EA	
26	054135-000	BLOCK, TERMINAL, 6-POLE (Heyco # 9454)	1	EA	
27	A2002966	TOP CHANNEL (VESO105)	1	EA	NO LONGER AVAILABLE, Not available online / Call for pricing and availability
28	A2002964	TOP COVER (VESO105)	1	EA	
29	A2002923	OVEN TOP INSUL. RET.	1	EA	NO LONGER AVAILABLE, Not available online / Call for pricing and availability
30	A2002909	VENT BTM	1	EA	NO LONGER AVAILABLE
31	A2002910	VENT TOP	1	EA	NO LONGER AVAILABLE
32	A2002954	CABINET COVER	1	EA	NO LONGER AVAILABLE, Not available online / Call for pricing and availability



Item	Part No.	Name	Qty	Uom	NOTES
33	PE110031	BLADE FAN Y0314548	1	EA	NO LONGER AVAILABLE
34	A1002456	THERMO-DISC BRKT (VDSC)	1	EA	





Item	Part No.	Name	Qty	Uom	NOTES
1	PE050005	CONVECTION FAN ASSY	1	EA	
2	A2002595	CONVECTION FAN BOX (VDSC)	1	EA	
3	A1002596	CONVECTION FAN COVER (VDSC)	1	EA	
4	A2008467	INSULATION SHIELD	1	EA	
5	A2001746	SIDE FAN SHIELD	1	EA	Not available online / Call for pricing and availability
6	PJ010003	CONVECTION ELEMENT (VDSC) 240V	1	EA	NO LONGER AVAILABLE
7	E9102170	CONVECTION FAN COVER	1	EA	
8	PB060044	OVEN RK VDSC30/48RH REPL PB060019	1	EA	
9	PB060030	RACK SUPT REPL PB060010	1	EA	
10	A2002932	MANUAL TIME BRKT (VEDO/VESO)	1	EA	NO LONGER AVAILABLE, Not available online / Call for pricing and availability
11	PB010165	TIME MANUAL KNOB *BK* (VESO/VEDO)	1	EA	
Not Shown	PB010166	TIME MANUAL KNOB *WH* (VESO/VEDO)	1	EA	
12	B9202942	CONTROL PANEL - VESO 105	1	EA	
Not Shown	C9202942BK	CTRL PAN *BK* (VESO105) *SLK SCR*	1	EA	NO LONGER AVAILABLE
Not Shown	C9202942WH	CTRL PAN *WH* (VESO105) *SLK SCR*	1	EA	NO LONGER AVAILABLE
13	PB010152	Bezel - SS	1	EA	
Not Shown	PB010153	Bezel - BR	1	EA	
14	G5004513BK	SELECTOR KNOB ASSY. KIT (VESO/VEDO)	1	EA	NO LONGER AVAILABLE
Not Shown	G5004513BKBR	SELECTOR KNOB ASSY. KIT (VESO/DO)	1	EA	NO LONGER AVAILABLE, Not available online / Call for pricing and availability
Not Shown	G5004514WH	SELECTOR KNOB ASSY. KIT (VESO/DO)	1	EA	NO LONGER AVAILABLE, Not available online / Call for pricing and availability



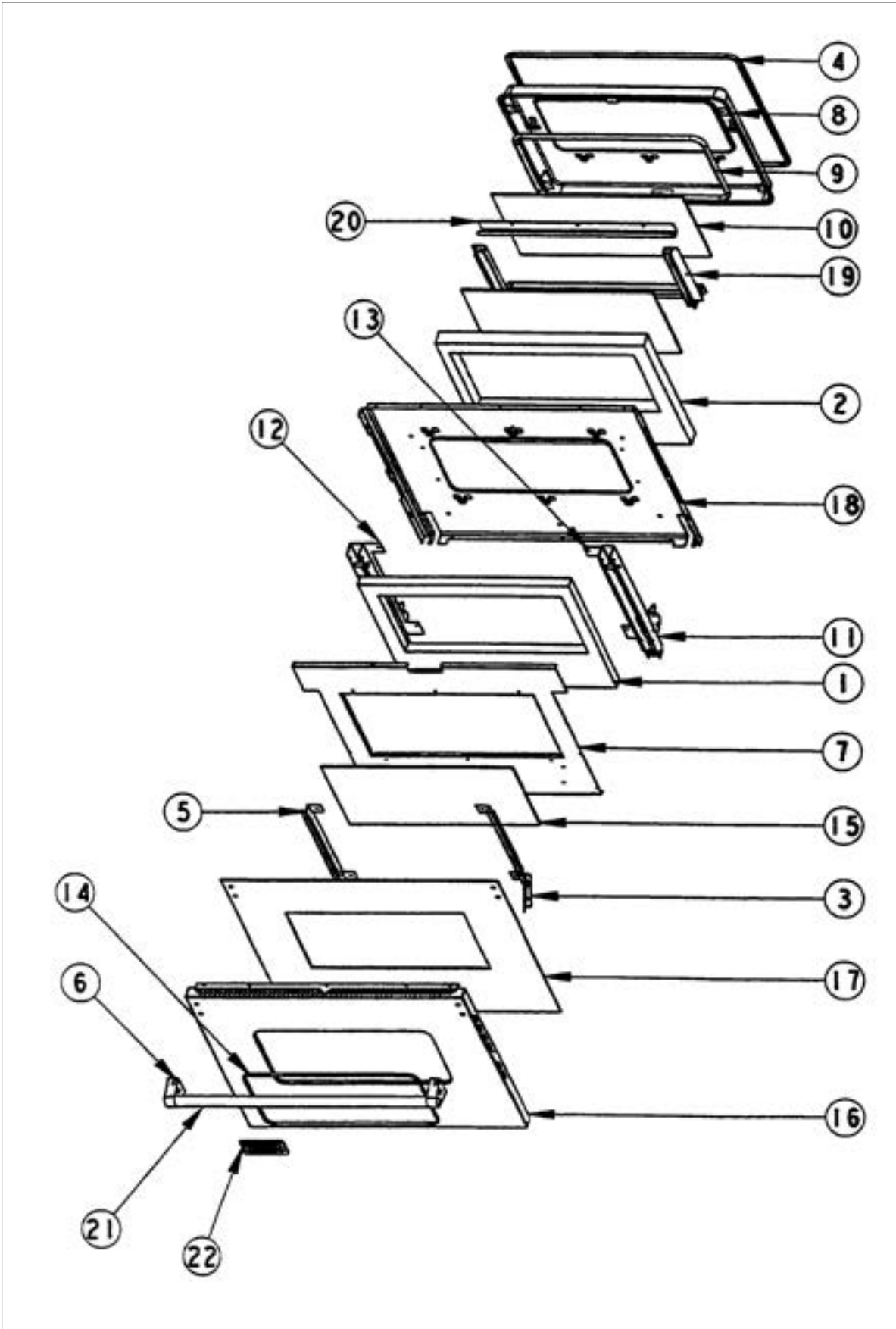


Item	Part No.	Name	Qty	Uom	NOTES
Not Shown	G5004514WHBR	SELECTOR KNOB ASSY. KIT (VESO/DO)	1	EA	NO LONGER AVAILABLE, Not available online / Call for pricing and availability
15	PJ030018	8 POS ROTARY SWITCH	1	EA	
16	PE050023	OVEN IND. LIGHT (LENS & BEZEL)	1	EA	NO LONGER AVAILABLE
17	PE050024	OVEN IND. LIGHT (LIGHT HOUSING)	1	EA	
<p>Comments for Part Num. PE050024</p> <p>haarnink@vikingrange.com on Jan 14, 2019  please not that the indicator light is now part 043135-000 but needs the Jumper harness 051443-000. and second option there are units in the field with a 230V indicator light part number 036566-000.</p> <p>please check this for all "E" module ranges/Tops  ksturm@vikingrange.com on Apr 22, 2019  please not that the indicator light is now part 043135-000 but needs the Jumper harness 051443-000. and second option there are units in the field with a 230V indicator light part number 036566-000.</p> <p>please check this for all "E" module ranges/Tops</p>					
18	PE050055	50 HZ ELECTRONIC CLOCK (VEDO/VESO)	1	EA	
19	PJ030003	THERMOSTAT (SELF CLEAN) VDSC	1	EA	
<p>Comments for Part Num. PJ030003</p> <p>boltz on Nov 21, 2017  See Bulletin 2005-03  Reply by steves@bendbroadband.com on Apr 10, 2018  what bulletin? bulletin should linked here.  Reply by bradleysapplianceservice@shaw.ca on Sep 27, 2018  If you have access to Documoto then all you have to do is either run the part number PJ030003 or service bulletin number 2005-03AS in the main search field and all your answer will be there. It's Simple.</p>					
20	PE050019	OVEN LIGHT SWITCH (VGSO166) 90-DEG.	1	EA	
21	PB010163	OVEN LIGHT SWITCH KNOB *BK* (VESO/D	1	EA	
Not Shown	PB010164	OVEN LIGHT SWITCH KNOB *WH* (VESO/D	1	EA	



Item	Part No.	Name	Qty	Uom	NOTES
22	PB010150	T/STAT KNOB-*BK* (30" B-IN OVEN)	1	EA	
Not Shown	PB010151	T/STAT KNOB-*WH* (30" B-IN OVEN)	1	EA	
23	PJ030011	SWITCH (2-POSITION) VESO105	1	EA	
24	A2002913	CLOCK MTG BRKT	1	EA	
25	PB010185BK	CLOCK BUTTON *BK* (VESO/VEDO)	4	EA	NO LONGER AVAILABLE
Not Shown	PB010185WH	CLOCK SET BUTTONS - WH	4	EA	Not available online / Call for pricing and availability
26	PB010184BK	CLOCK SET KNOB *BK* (VESO/VEDO) - NLA	1	EA	
PB010184WH	PB010184	CLOCK SET KNOB - WH	1	EA	
27	PE040073	TOP TRIM-EXTRUDED (VESO105/VEDO205)	1	EA	
28	PE040076	PANEL VENT TRIM-EXTRUDED (VESO/VEDO)	1	EA	
29	PE040071	SIDE TRIM-EXTRUDED (VESO105)	1	EA	
30	PE040074	BTM TRIM-EXTRUDED (VESO105/VEDO2)	1	EA	

DOOR ASSY





Item	Part No.	Name	Qty	Uom	NOTES
1	PB070034	INSULATION-TRS-10 1" X 20" X 77' ROLL	1	EA	NO LONGER AVAILABLE
2	PB070076	WOOL INSULATION 1" X 21" X 3'	1	EA	
3	A2002497	DOOR GUIDE ANGLE VDSC	1	EA	
4	000623-000	DOOR GASKET(3/8"DIA.) (VDSC)	1	EA	
5	A2002367	DOOR GLASS BRKT	1	EA	
6	000268-000	HANDLE ENDCAP	1	EA	
Not Shown	PE030001PVD	END CAP DOOR HANDLE *BR	1	EA	
7	A2002390	DOOR INSULATION RETAINER	1	EA	Not available online / Call for pricing and availability
8	G9102745	DR PG ASSY VDSC30/48" RE H9102175 (Before 12/20/2012)	1	EA	
9	000594-000	BLACK FIBERGLASS ROPE 3/8"	1	EA	
10	PE060039	GLASS-HEAT TREATED (HB2) VDSC	1	EA	
11	PC020188	DOOR HINGE	1	EA	
12	A2002960	HINGE BRACKET - LH (VEDO/VESO)	1	EA	
13	A2002962	HINGE BRACKET - RH (VEDO/VESO)	1	EA	
14	PE060031	J-MOLD (LARGE WINDOW)	1	EA	
Not Shown	PE060045	J-MOLD (LARGE WINDOW) *BR*	1	EA	
15	PE060030	GLASS-OUTER DOOR BK SCREENED, TEMP	1	EA	
16	B2002931	O/S DOOR PANEL *SS* (VEDO/VESO)	1	EA	
Not Shown	C9002931*	O/S DOOR PANEL	1	EA	Not available online / Call for pricing and availability
17	J1002939	OVEN DR HEAT SINK (VESO/DO)	1	EA	
18	G9102928	OVEN DR LINER ASSY (VEDO/VESO)	1	EA	
19	E9102179	WINDOW LINER-SIDE (VDSC)	1	EA	



Item	Part No.	Name	Qty	Uom	NOTES
20	E9102178	WINDOW LINER-TOP/BTM (VDSC)	1	EA	
21	PE030036	DOOR HANDLE *SS* (VESO/VEDO) 26.935	1	EA	
Not Shown	F0002944BR	DOOR HANDLE-VEDO/VESO (CUT-TO-SIZE)	1	EA	NO LONGER AVAILABLE
22	PE010016	LOGO (ALL RANGES) *BK/CHR 307997W	1	EA	
Not Shown	PE010017	LOGO (VGSO,VEDO,VGDO,VUD) *WH/CHR	1	EA	
Not Shown	PE010079	4.5" LOGO/VIKING PROF *BK/BR	1	EA	
Not Shown	PE010080	4.5" LOGO/VIKING PROF *WH/BR	1	EA	
NI	PD020032	SRW-8(A)X3/8"PH.WFR HD 7/16DIA*NICL	1	EA	
NI	B1007234	HINGE TRIM REPL B2102963 2 EA	1	EA	
NI	G3202937AL	DOOR ASSY *AL* (VESO/VEDO)	1	EA	NO LONGER AVAILABLE, Not available online / Call for pricing and availability
Not Shown	G3202937ALBR	DOOR ASSY *AL**BR* (VESO/VEDO)	1	EA	NO LONGER AVAILABLE, Not available online / Call for pricing and availability
Not Shown	G3202937BK	DOOR ASSY *BK* (VESO/VEDO)	1	EA	NO LONGER AVAILABLE, Not available online / Call for pricing and availability
Not Shown	G3202937BKBR	DOOR ASSY *BK**BR* (VESO/VEDO)	1	EA	NO LONGER AVAILABLE, Not available online / Call for pricing and availability
Not Shown	G3202937BT	DOOR ASSY *BT* (VESO/VEDO)	1	EA	NO LONGER AVAILABLE, Not available online / Call for pricing and availability
Not Shown	G3202937BTBR	DOOR ASSY *BT**BR* (VESO/VEDO)	1	EA	NO LONGER AVAILABLE, Not available online / Call for pricing and availability



Item	Part No.	Name	Qty	Uom	NOTES
Not Shown	G3202937BU	DOOR ASSY *BU* (VESO/VEDO)	1	EA	NO LONGER AVAILABLE
Not Shown	G3202937BUBR	DOOR ASSY *BU**BR* (VESO/VEDO)	1	EA	NO LONGER AVAILABLE, Not available online / Call for pricing and availability
Not Shown	G3202937CB	DOOR ASSY *CB* (VESO/VEDO)	1	EA	NO LONGER AVAILABLE
Not Shown	G3202937CBBR	DOOR ASSY *CB**BR* (VESO/VEDO)	1	EA	NO LONGER AVAILABLE, Not available online / Call for pricing and availability
Not Shown	G3202937EP	DOOR ASSY *EP* (VESO/VEDO)	1	EA	NO LONGER AVAILABLE, Not available online / Call for pricing and availability
Not Shown	G3202937EPBR	DOOR ASSY *EP**BR* (VESO/VEDO)	1	EA	NO LONGER AVAILABLE, Not available online / Call for pricing and availability
Not Shown	G3202937FG	DOOR ASSY *FG* (VESO/VEDO)	1	EA	NO LONGER AVAILABLE, Not available online / Call for pricing and availability
Not Shown	G3202937FGBR	DOOR ASSEMBLY - FGBR	1	EA	Not available online / Call for pricing and availability
Not Shown	G3202937GG	DOOR ASSY *GG* (VESO/VEDO)	1	EA	NO LONGER AVAILABLE, Not available online / Call for pricing and availability
Not Shown	G3202937GGBR	DOOR ASSY *GG*BR* (VESO/VEDO)	1	EA	NO LONGER AVAILABLE, Not available online / Call for pricing and availability
Not Shown	G3202937LE	DOOR ASSY *LE* (VESO/VEDO)	1	EA	NO LONGER AVAILABLE, Not available online / Call for pricing and availability
Not Shown	G3202937LEBR	DOOR ASSY *LE**BR* (VESO/VEDO)	1	EA	NO LONGER AVAILABLE, Not available online / Call for pricing and availability



Item	Part No.	Name	Qty	Uom	NOTES
Not Shown	G3202937LN	DOOR ASSY *LN* (VESO/VEDO)	1	EA	NO LONGER AVAILABLE, Not available online / Call for pricing and availability
Not Shown	G3202937LNBR	DOOR ASSEMBLY - LNBR	1	EA	Not available online / Call for pricing and availability
Not Shown	G3202937MJ	DOOR ASSY *MJ* (VESO/VEDO)	1	EA	NO LONGER AVAILABLE, Not available online / Call for pricing and availability
Not Shown	G3202937MJBR	DOOR ASSY *MJ**BR* (VESO/VEDO)	1	EA	NO LONGER AVAILABLE, Not available online / Call for pricing and availability
Not Shown	G3202937PL	DOOR ASSY *PL* (VESO/VEDO)	1	EA	NO LONGER AVAILABLE, Not available online / Call for pricing and availability
Not Shown	G3202937PLBR	DOOR ASSY *PL**BR* (VESO/VEDO)	1	EA	NO LONGER AVAILABLE, Not available online / Call for pricing and availability
Not Shown	G3202937SG	DOOR ASSY *SG* (VESO/VEDO)	1	EA	NO LONGER AVAILABLE, Not available online / Call for pricing and availability
Not Shown	G3202937SGBR	DOOR ASSY *SG**BR* (VESO/VEDO)	1	EA	NO LONGER AVAILABLE, Not available online / Call for pricing and availability
Not Shown	G3202937SS	DOOR ASSY *SS* (VESO/VEDO)	1	EA	
Not Shown	G3202937SSBR	DOOR ASSY *SS**BR* (VESO/VEDO)	1	EA	NO LONGER AVAILABLE
Not Shown	G3202937VB	DOOR ASSY *VB* (VESO/VEDO)	1	EA	NO LONGER AVAILABLE, Not available online / Call for pricing and availability
Not Shown	G3202937VBBR	DOOR ASSY *VB**BR*(VESO/VEDO)	1	EA	NO LONGER AVAILABLE, Not available online / Call for pricing and availability

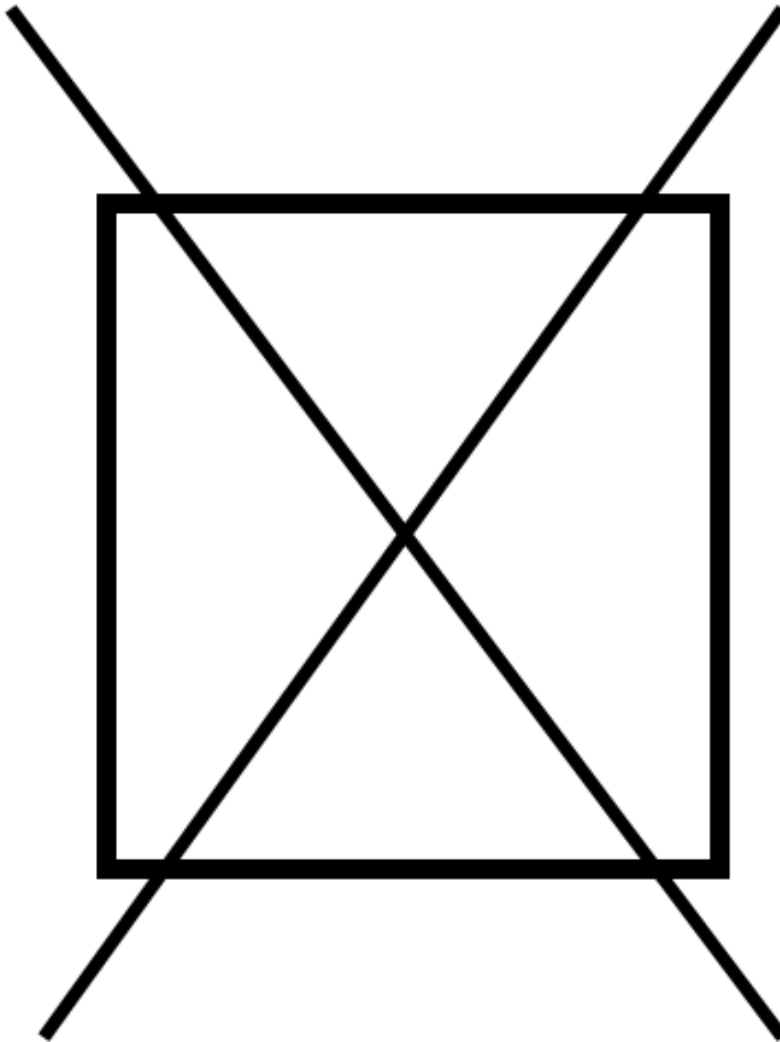


Item	Part No.	Name	Qty	Uom	NOTES
Not Shown	G3202937WH	DOOR ASSY *WH* (VESO/MEDO)	1	EA	NO LONGER AVAILABLE, Not available online / Call for pricing and availability
Not Shown	G3202937WHBR	DOOR ASSY *WH**BR* (VESO/MEDO) WH/B	1	EA	NO LONGER AVAILABLE, Not available online / Call for pricing and availability



## FUNCTIONAL PARTS

NON  
ILLUSTRATED PART



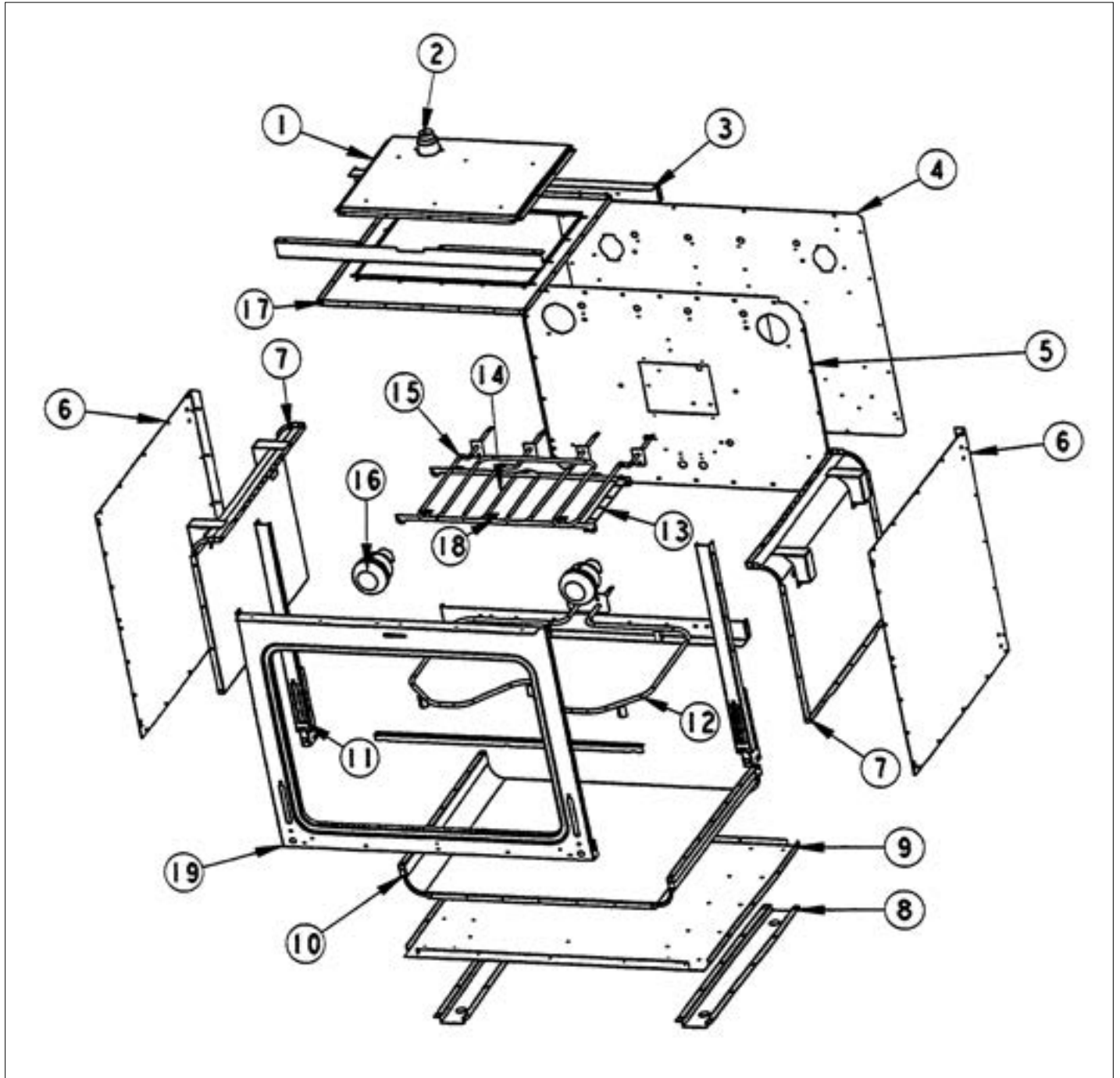


Item	Part No.	Name	Qty	Uom	NOTES
1	PJ030011	SWITCH (2-POSITION) VESO105	1	EA	
2	PE070246	20 WATT 100 OHM RESISTOR	1	EA	
3	PJ030018	8 POS ROTARY SWITCH	1	EA	
4	PJ010004	BAKE ELEMENT (VDSC) 240V	1	EA	
5	PJ010001	BROIL ELEMENT 240V	1	EA	
6	PE050055	50 HZ ELECTRONIC CLOCK (VEDO/VESO)	1	EA	
7	PJ010003	CONVECTION ELEMENT (VDSC) 240V	1	EA	NO LONGER AVAILABLE
8	PE050005	CONVECTION FAN ASSY	1	EA	
9	PE110024	MOTOR FAN Y0042226	1	EA	NO LONGER AVAILABLE
10	PE050053	DR LATCH REPL PE050020	1	EA	
<p>Comments for Part Num. PE050053</p> <p>profixappliances@gmail.com on Oct 8, 2019</p> <p>UNIT DEDO200SS, 121203C0000000562 - USES SELF CLEAN LATCH PE050112 WITH HOOK POINTED "DOWN"</p>					
11	PJ010002	BROIL ELEMENT(MAXI)-SIDE (VDSC)240V	1	EA	
12	PM010129	RELAY	1	EA	
13	PM010029	RELAY (DOUBLE POLE- DOUBLE THROW)TEM	1	EA	
14	PE070148	SELF-CLEAN BOARD/TIMER (VDSC)	1	EA	
15	PM010014	SMOKE ELIMINATOR (VDSC)	1	EA	
16	PJ030022	BI-METAL THERMOSTAT, 115 DEGREES (FAN SWITCH)	1	EA	
17	PE050059	HI-LIMIT SWITCH	1	EA	
18	054135-000	BLOCK, TERMINAL, 6-POLE (Heyco # 9454)	1	EA	
19	PE050001	TERMINAL BOARD	1	EA	
20	PJ030003	THERMOSTAT (SELF CLEAN) VDSC	1	EA	



Item	Part No.	Name	Qty	Uom	NOTES
Comments for Part Num. PJ030003					
boltz on Nov 21, 2017					
See Bulletin 2005-03					
Reply by steves@bendbroadband.com on Apr 10, 2018					
what bulletin? bulletin should linked here.					
Reply by bradleysapplianceservice@shaw.ca on Sep 27, 2018					
If you have access to Documoto then all you have to do is either run the part number PJ030003 or service bulletin number 2005-03AS in the main search field and all your answer will be there. It's Simple.					
21	PE070210	TRANSFORMER (2 X 60V) 6,67A	1	EA	NO LONGER AVAILABLE

OVEN ASSY





Item	Part No.	Name	Qty	Uom	NOTES
1	B2002167	BROILER TOP (VDSC)	1	EA	NO LONGER AVAILABLE
2	PM010014	SMOKE ELIMINATOR (VDSC)	1	EA	
3	A2002158	REAR OVEN SUPT (VDSC)	1	EA	NO LONGER AVAILABLE, Not available online / Call for pricing and availability
4	A1002905	BACK INSULATION RETAINER - VESO/VEDO	1	EA	NO LONGER AVAILABLE, Not available online / Call for pricing and availability
5	E9102741	OVEN BACK (VDSC30)	1	EA	NO LONGER AVAILABLE, Not available online / Call for pricing and availability
6	A2002904	SIDE INSULATION RETAINER	1	EA	NO LONGER AVAILABLE, Not available online / Call for pricing and availability
7	G9102736	OVEN SIDE ASSY (VDSC)	1	EA	NO LONGER AVAILABLE, Not available online / Call for pricing and availability
8	A2002902	RUNNER	1	EA	NO LONGER AVAILABLE, Not available online / Call for pricing and availability
9	A2002961	BOTTOM INSULATION RETAINER(VEDO/SO)	1	EA	NO LONGER AVAILABLE
10	E9102152	OVEN BTM (VDSC)	1	EA	NO LONGER AVAILABLE
11	PC020016	HINGE RECEIVER (VEDO/VEDO)	1	EA	
12	PJ010004	BAKE ELEMENT (VDSC) 240V	1	EA	
13	B2002489	THERMAL BULB SHIELD (VDSC)	1	EA	
14	PJ010001	BROIL ELEMENT 240V	1	EA	
15	PJ010002	BROIL ELEMENT(MAXI)-SIDE (VDSC)240V	1	EA	
16	031449-000	LAMP, ASM	1	EA	
17	E9102153	OVEN TOP (VDSC)	1	EA	NO LONGER AVAILABLE



Item	Part No.	Name	Qty	Uom	NOTES
18	B2002185	BROIL ELEMENT BRKT (VDSC)	1	EA	
19	G9102901	OVEN FRONT FRAME ASSY (VEDO/VESO)	1	EA	NO LONGER AVAILABLE
NI	PE050001	TERMINAL BOARD	1	EA	
NI	PE070246	20 WATT 100 OHM RESISTOR	1	EA	
NI	PE070210	TRANSFORMER (2 X 60V) 6,67A	1	EA	NO LONGER AVAILABLE



Appendix A:Pages Index

CABINET ASSY ..... 1  
CONTROL-RACK ..... 2  
DOOR ASSY ..... 3  
FUNCTIONAL PARTS .....4  
OVEN ASSY ..... 5



Appendix B:Parts Index

000268-000	3	A2008467	2
000594-000	3	B1007234	3
000623-000	3	B2002167	5
031449-000	5	B2002185	5
054135-000	1, 4	B2002489	5
A1002456	1, 1	B2002931	3
A1002596	2	B9202942	2
A1002905	5	C9002931*	3
A1002947	1	C9202942BK	2
A2001746	2	C9202942WH	2
A2002158	5	E9102152	5
A2002168	1	E9102153	5
A2002367	3	E9102170	2
A2002390	3	E9102178	3
A2002497	3	E9102179	3
A2002595	2	E9102741	5
A2002902	5	E9102908	1
A2002904	5	F0002944BR	3
A2002906	1	G3202937AL	3
A2002909	1	G3202937ALBR	3
A2002910	1	G3202937BK	3
A2002911	1	G3202937BKBR	3
A2002913	2	G3202937BT	3
A2002923	1	G3202937BTBR	3
A2002926	1	G3202937BU	3
A2002932	2	G3202937BUBR	3
A2002948	1	G3202937CB	3
A2002949	1	G3202937CBBR	3
A2002950	1	G3202937EP	3
A2002951	1	G3202937EPBR	3
A2002952	1	G3202937FG	3
A2002954	1	G3202937FGBR	3
A2002956	1	G3202937GG	3
A2002960	3	G3202937GGBR	3
A2002961	5	G3202937LE	3
A2002962	3	G3202937LEBR	3
A2002964	1	G3202937LN	3
A2002965	1	G3202937LNBR	3
A2002966	1	G3202937MJ	3
A2007442	1	G3202937MJBR	3
		G3202937PL	3





G3202937PLBR	3	PE010079	3
G3202937SG	3	PE010080	3
G3202937SGBR	3	PE030001PVD	3
G3202937SS	3	PE030036	3
G3202937SSBR	3	PE040071	2
G3202937VB	3	PE040073	2
G3202937VBBR	3	PE040074	2
G3202937WH	3	PE040076	2
G3202937WHBR	3	PE050001	4, 5
G5002958	1	PE050005	2, 4
G5004513BK	2	PE050019	2
G5004513BKBR	2	PE050023	2
G5004514WH	2	PE050024	2
G5004514WHBR	2	PE050053	4
G9102736	5	PE050055	2, 4
G9102745	3	PE050059	1, 4
G9102901	5	PE050112	1
G9102928	3	PE060030	3
J1002939	3	PE060031	3
PB010150	2	PE060039	3
PB010151	2	PE060045	3
PB010152	2	PE070148	1, 4
PB010153	2	PE070210	4, 5
PB010163	2	PE070246	4, 5
PB010164	2	PE110024	1, 4
PB010165	2	PE110031	1
PB010166	2	PJ010001	4, 5
PB010184	2	PJ010002	4, 5
PB010184BK	2	PJ010003	2, 4
PB010185BK	2	PJ010004	4, 5
PB010185WH	2	PJ030002	1
PB060030	2	PJ030003	2, 4
PB060044	2	PJ030011	2, 4
PB070034	3	PJ030018	2, 4
PB070076	3	PJ030022	1, 4
PC020016	5	PM010014	4, 5
PC020188	3	PM010029	1, 4
PD020032	3	PM010129	1, 4
PD030033	1		
PE010016	3		
PE010017	3		