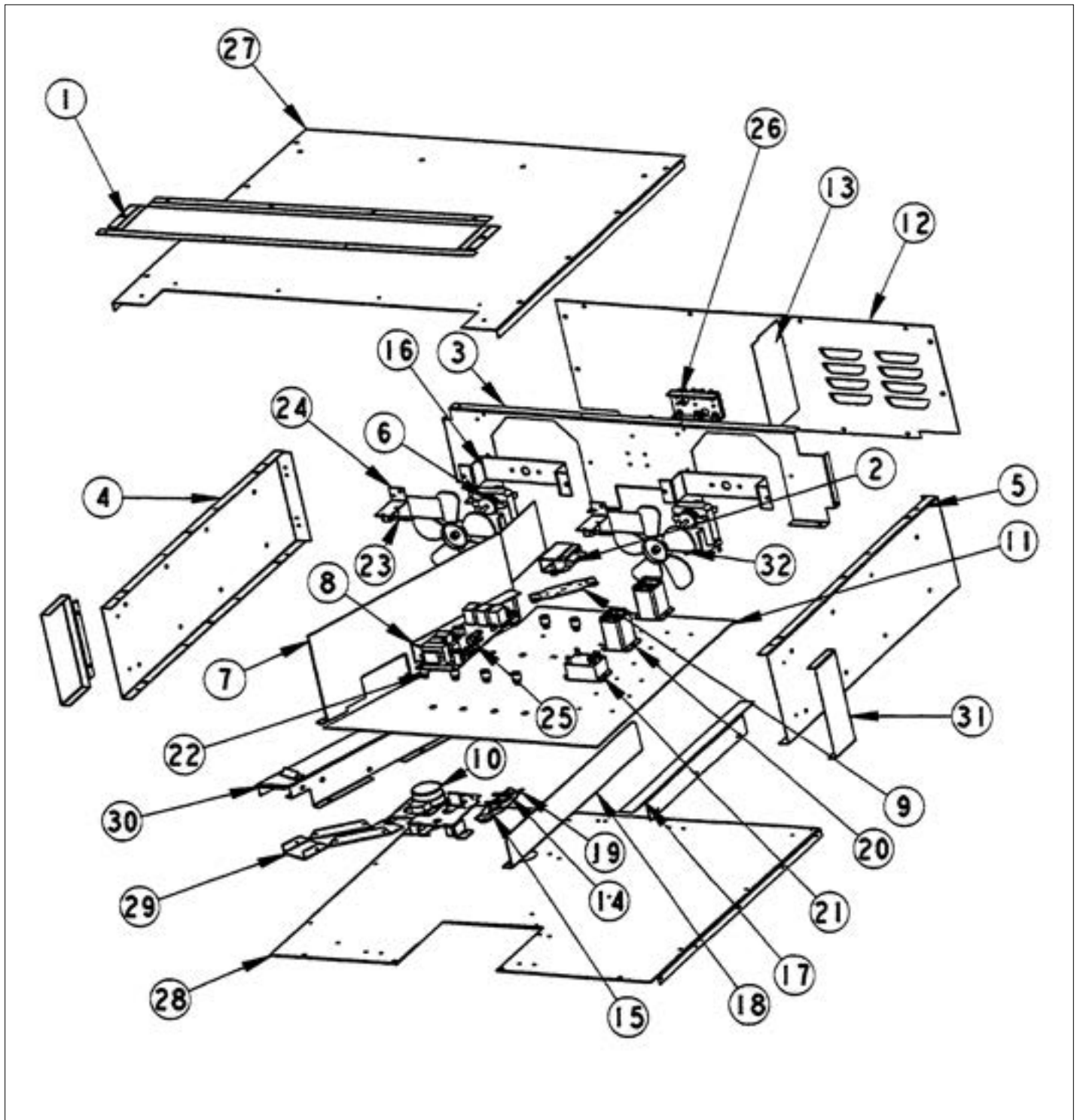


**EVESO176**

CABINET ASSY .....	1
CONTROL-RACK ASSY .....	2
DOOR ASSY .....	3
FUNCTIONAL PARTS .....	4
OVEN ASSY .....	5
Appendix A:Pages Index .....	A
Appendix B:Parts Index .....	B

## CABINET ASSY





Item	Part No.	Name	Qty	Uom	NOTES
1	E9104321	AIR VENT (27" OVEN)	1	EA	NO LONGER AVAILABLE, Not available online / Call for pricing and availability
2	PJ030002	AUTO RESET (SELF-CLEAN) VDSC	1	EA	
3	A2004310	CABINET BACK (VESO176/DO276)	1	EA	NO LONGER AVAILABLE, Not available online / Call for pricing and availability
4	A2002906	CABINET SIDE	1	EA	NO LONGER AVAILABLE, Not available online / Call for pricing and availability
5	A2002965	CABINET SIDE RH (VESO105)	1	EA	NO LONGER AVAILABLE, Not available online / Call for pricing and availability
6	PE110024	MOTOR FAN Y0042226	1	EA	NO LONGER AVAILABLE
7	A2002950	DIVIDER - VESO/VEDO	1	EA	NO LONGER AVAILABLE, Not available online / Call for pricing and availability
8	A2002956	FLOOR BRACE - VEDO205/VESO105	1	EA	NO LONGER AVAILABLE, Not available online / Call for pricing and availability
9	A2002168	DOOR LATCH BRKT (VDSC)	1	EA	
10	PE050112	DOOR LATCH	1	EA	
11	A2004312	FALSE FLOOR - 27" (VESO176/DO276)	1	EA	NO LONGER AVAILABLE, Not available online / Call for pricing and availability
12	A1004320	FAN COVER (VESO176)	1	EA	NO LONGER AVAILABLE, Not available online / Call for pricing and availability
13	A2002948	FAN DIVIDER - VESO/VEDO	1	EA	NO LONGER AVAILABLE, Not available online / Call for pricing and availability

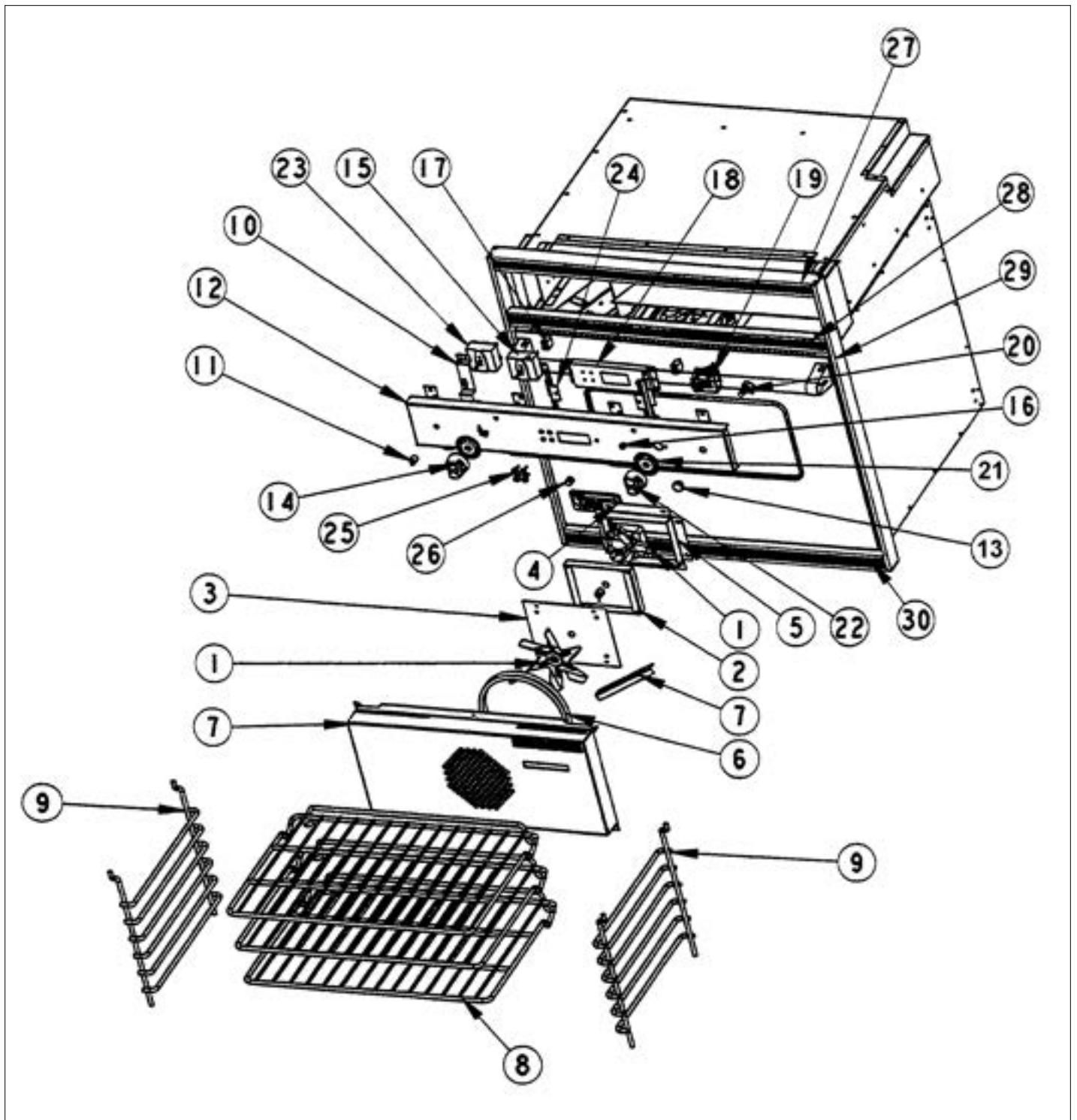


Item	Part No.	Name	Qty	Uom	NOTES
14	PE050059	HI-LIMIT SWITCH	1	EA	
15	PJ030022	BI-METAL THERMOSTAT, 115 DEGREES (FAN SWITCH)	1	EA	
16	A2002911	FAN MTG BRKT	1	EA	NO LONGER AVAILABLE
17	A2002952	FLOOR BRACE - VESO/VEDO	1	EA	NO LONGER AVAILABLE, Not available online / Call for pricing and availability
18	A2002951	FLOOR SUPT - VESO/VEDO	1	EA	NO LONGER AVAILABLE, Not available online / Call for pricing and availability
19	A1002456	THERMO-DISC BRKT (VDSC)	1	EA	
20	PM010029	RELAY (DOUBLE POLE-DOUBLE THROW)TEM	1	EA	
21	PM010129	RELAY	1	EA	
22	PD030033	GROMMET NUT-ROUND HD. #8 X .500DIA.	1	EA	
23	PJ030022	BI-METAL THERMOSTAT, 115 DEGREES (FAN SWITCH)	1	EA	
24	A2007442	HIGH LIMIT SWITCH BRACKET	1	EA	
25	PE070148	SELF-CLEAN BOARD/TIMER (VDSC)	1	EA	
26	054135-000	BLOCK, TERMINAL, 6-POLE (Heyco # 9454)	1	EA	
27	A2002966	TOP CHANNEL (VESO105)	1	EA	NO LONGER AVAILABLE, Not available online / Call for pricing and availability
28	A2004318	TOP COVER (VESO176/DO276)	1	EA	NO LONGER AVAILABLE, Not available online / Call for pricing and availability
29	A2004308	TOP INSULATION RETAINER (27" OVEN)	1	EA	NO LONGER AVAILABLE, Not available online / Call for pricing and availability
30	A2002909	VENT BTM	1	EA	NO LONGER AVAILABLE
31	A2002910	VENT TOP	1	EA	NO LONGER AVAILABLE



Item	Part No.	Name	Qty	Uom	NOTES
32	A2002954	CABINET COVER	1	EA	NO LONGER AVAILABLE, Not available online / Call for pricing and availability
33	PE110031	BLADE FAN Y0314548	1	EA	NO LONGER AVAILABLE
34	A1002456	THERMO-DISC BRKT (VDSC)	1	EA	

CONTROL-RACK ASSY



Item	Part No.	Name	Qty	Uom	NOTES
1	PE050005	CONVECTION FAN ASSY	1	EA	
2	A2002595	CONVECTION FAN BOX (VDSC)	1	EA	
3	A1002596	CONVECTION FAN COVER (VDSC)	1	EA	
4	A2008467	INSULATION SHIELD	1	EA	
5	A2001746	SIDE FAN SHIELD	1	EA	Not available online / Call for pricing and availability
6	PJ010003	CONVECTION ELEMENT (VDSC) 240V	1	EA	NO LONGER AVAILABLE
7	E9104309	CONVECTION FAN COVER	1	EA	NO LONGER AVAILABLE
8	PB060048	OVEN RACK - 27"	1	EA	NO LONGER AVAILABLE
9	PB060030	RACK SUPT REPL PB060010	1	EA	
10	A2004336	MANUAL TIME BRKT (VESO176/DO276)	1	EA	NO LONGER AVAILABLE, Not available online / Call for pricing and availability
11	PB010181	TIME MANUAL KNOB *BK* (27" OVEN) - NLA	1	EA	
Not Shown	PB010182	TIME MANUAL KNOB *WH* (27" OVEN) - NLA	1	EA	
12	B9204324	CTRL PAN (VESO176)	1	EA	NO LONGER AVAILABLE
Not Shown	C9204324BK	CTRL PAN (VESO176) *BK* (NLA)	1	EA	NO LONGER AVAILABLE, Not available online / Call for pricing and availability
Comments for Part Num. C9204324BK  gboltz@VikingRange.com on Jan 7, 2016 PART IS NLA					
Not Shown	C9204324WH	(NLA)	1	EA	Not available online / Call for pricing and availability
Comments for Part Num. C9204324WH  gboltz@VikingRange.com on Jan 7, 2016 PART IS NLA					





Item	Part No.	Name	Qty	Uom	NOTES
13	PB010152	Bezel - SS	1	EA	
Not Shown	PB010153	Bezel - BR	1	EA	
14	G5004513BK	SELECTOR KNOB ASSY. KIT (VESO/VEDO)	1	EA	NO LONGER AVAILABLE
Not Shown	G5004513BKBR	SELECTOR KNOB ASSY. KIT (VESO/DO)	1	EA	NO LONGER AVAILABLE, Not available online / Call for pricing and availability
Not Shown	G5004514WH	SELECTOR KNOB ASSY. KIT (VESO/DO)	1	EA	NO LONGER AVAILABLE, Not available online / Call for pricing and availability
Not Shown	G5004514WHBR	SELECTOR KNOB ASSY. KIT (VESO/DO)	1	EA	NO LONGER AVAILABLE, Not available online / Call for pricing and availability
15	PJ030018	8 POS ROTARY SWITCH	1	EA	
16	PE050023	OVEN IND. LIGHT (LENS & BEZEL)	1	EA	NO LONGER AVAILABLE
17	PE050024	OVEN IND. LIGHT (LIGHT HOUSING)	1	EA	

Comments for Part Num. PE050024

haarnink@vikingrange.com on Jan 14, 2019

please note that the indicator light is now part 043135-000 but needs the Jumper harness 051443-000. and second option there are units in the field with a 230V indicator light part number 036566-000.

please check this for all "E" module ranges/Tops

ksturm@vikingrange.com on Apr 22, 2019

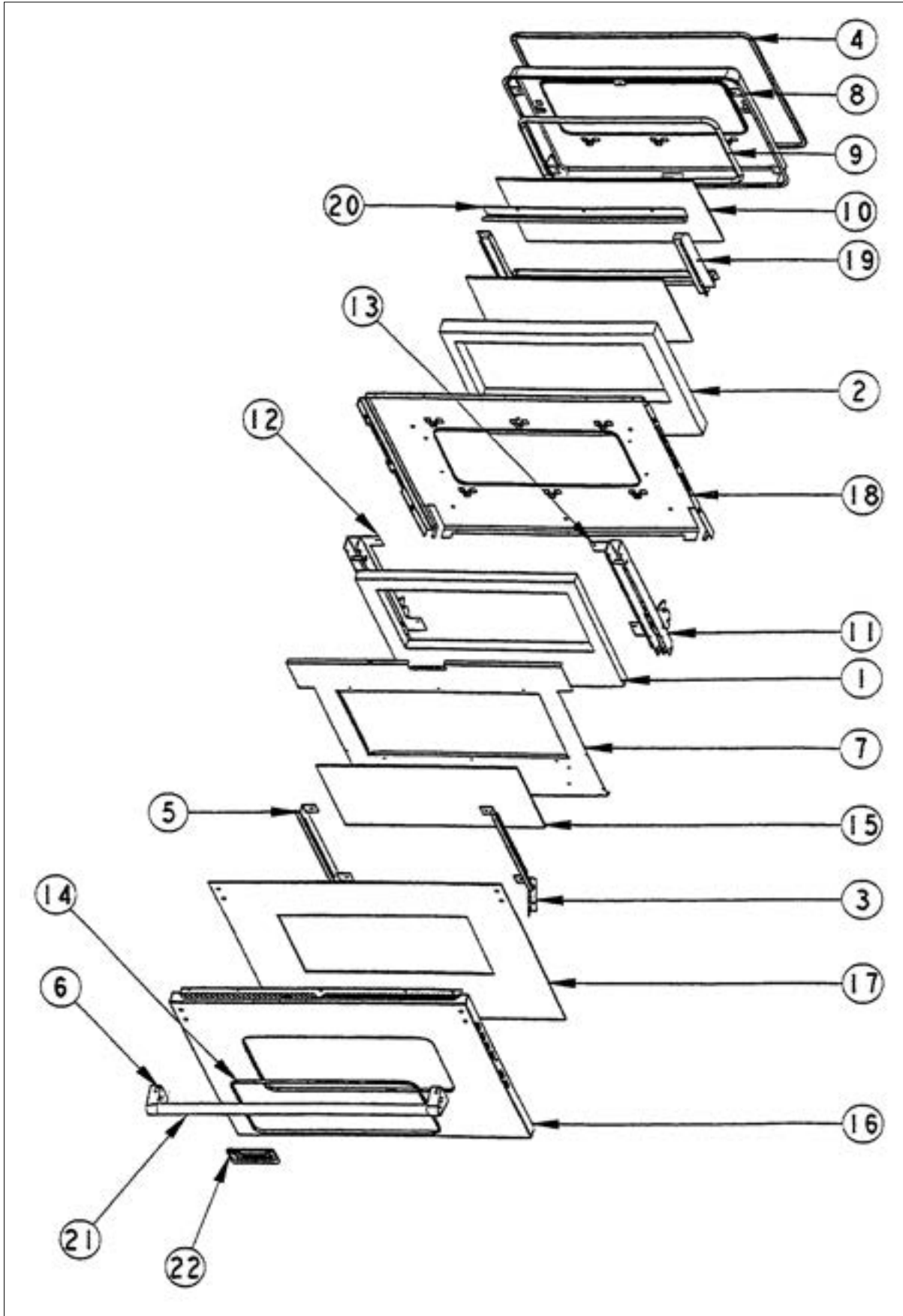
please note that the indicator light is now part 043135-000 but needs the Jumper harness 051443-000. and second option there are units in the field with a 230V indicator light part number 036566-000.

please check this for all "E" module ranges/Tops

18	PE050055	50 HZ ELECTRONIC CLOCK (VEDO/VESO)	1	EA	
19	PJ030003	THERMOSTAT (SELF CLEAN) VDSC	1	EA	

Item	Part No.	Name	Qty	Uom	NOTES
Comments for Part Num. PJ030003  boltz on Nov 21, 2017 See Bulletin 2005-03 Reply by steves@bendbroadband.com on Apr 10, 2018 what bulletin? bulletin should linked here. Reply by bradleysapplianceservice@shaw.ca on Sep 27, 2018 If you have access to Documoto then all you have to do is either run the part number PJ030003 or service bulletin number 2005-03AS in the main search field and all your answer will be there. It's Simple.					
20	PE050019	OVEN LIGHT SWITCH (VGSO166) 90-DEG.	1	EA	
21	PB010163	OVEN LIGHT SWITCH KNOB *BK* (VESO/D	1	EA	
Not Shown	PB010164	OVEN LIGHT SWITCH KNOB *WH* (VESO/D	1	EA	
22	PB010150	T/STAT KNOB-*BK* (30" B-IN OVEN)	1	EA	
Not Shown	PB010151	T/STAT KNOB-*WH* (30" B-IN OVEN)	1	EA	
23	PJ030011	SWITCH (2-POSITION) VESO105	1	EA	
24	A2004335	CLOCK MOUNTING BRKT (VESO176/DO276)	1	EA	NO LONGER AVAILABLE
25	PB010185BK	CLOCK BUTTON *BK* (VESO/VEDO)	4	EA	NO LONGER AVAILABLE
Not Shown	PB010185WH	CLOCK SET BUTTONS - WH	4	EA	Not available online / Call for pricing and availability
26	PB010184BK	CLOCK SET KNOB *BK* (VESO/VEDO) - NLA	1	EA	
PB010184WH	PB010184	CLOCK SET KNOB - WH	1	EA	
27	PE040085	TOP EXTRUSION (27"VESO/DO)	1	EA	NO LONGER AVAILABLE
28	PE040088	LOWER CTRL PANEL EXT. (27"VESO/DO)	1	EA	
29	PE040071	SIDE TRIM-EXTRUDED (VESO105)	1	EA	
30	PE040086	BOTTOM EXTRUSION (27" VESO/DO)	1	EA	NO LONGER AVAILABLE

DOOR ASSY





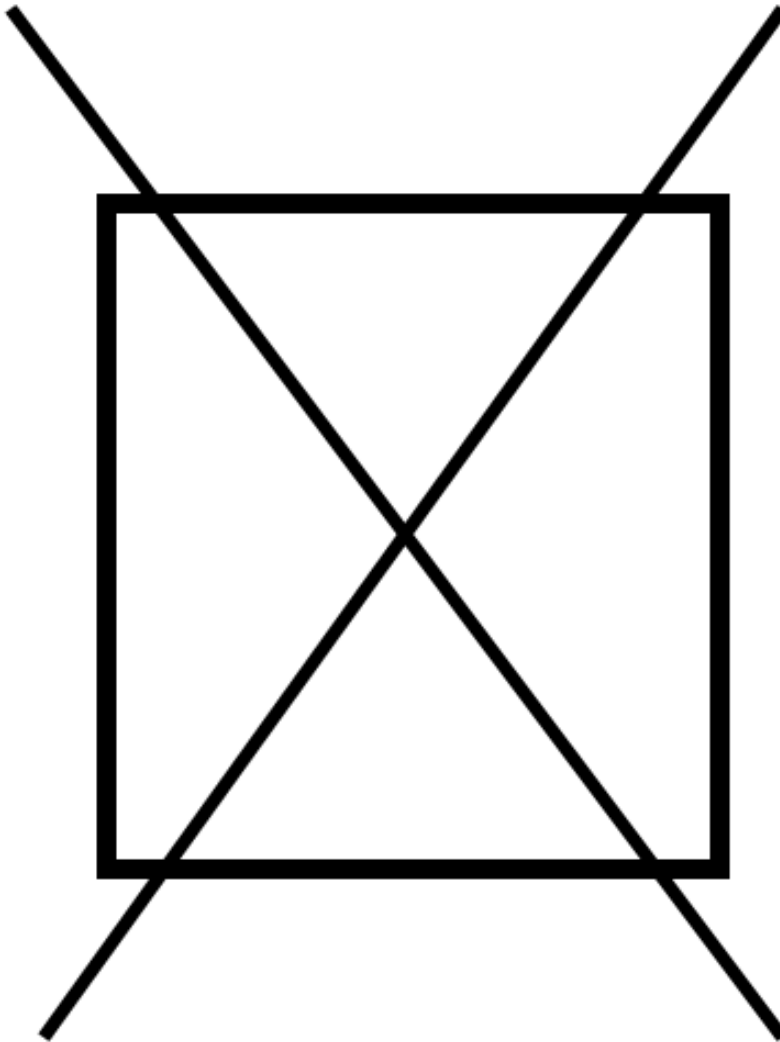
Item	Part No.	Name	Qty	Uom	NOTES
1	PB070034	INSULATION-TRS-10 1" X 20" X 77' ROLL	1	EA	NO LONGER AVAILABLE
2	PB070076	WOOL INSULATION 1" X 21" X 3'	1	EA	
3	A2002497	DOOR GUIDE ANGLE VDSC	1	EA	
4	000623-000	DOOR GASKET(3/8"DIA.) (VDSC)	1	EA	
5	A2002367	DOOR GLASS BRKT	1	EA	
6	000268-000	HANDLE ENDCAP	1	EA	
Not Shown	PE030001PVD	END CAP DOOR HANDLE *BR	1	EA	
7	A2004332	DOOR INSULATION RETAINER (27"OVEN)	1	EA	
8	G9104334	DOOR PLUG ASSY (VESO176/DO276)	1	EA	
9	000594-000	BLACK FIBERGLASS ROPE 3/8"	1	EA	
10	PE060023	HEAT TREATED DR GLASS(27"WALL OVEN)	1	EA	
11	PC020188	DOOR HINGE	1	EA	
12	A2002960	HINGE BRACKET - LH (VEDO/VESO)	1	EA	
13	A2002962	HINGE BRACKET - RH (VEDO/VESO)	1	EA	
14	PE060050	J-MOLD *CHROME* (27" OVEN)	1	EA	
Not Shown	PE060051	J-MOLD *BR* (27" OVEN)	1	EA	NO LONGER AVAILABLE
15	PE060022	OUTER DOOR GLASS (27" WALL OVEN)	1	EA	
16	B2004326	OUTSIDE DOOR PANEL(VEDO276/VESO176)	1	EA	NO LONGER AVAILABLE
Not Shown	C9004326*	O/S DOOR PANEL	1	EA	Not available online / Call for pricing and availability
17	J1004330	DOOR HEAT SINK (VESO176/DO276)	1	EA	
18	G9104329	OVEN DOOR LINER ASSY (27"WALL OVEN)	1	EA	
19	E9102179	WINDOW LINER-SIDE (VDSC)	1	EA	
20	E9104331	WINDOW LINER-TOP/BTM(VESO176/DO276)	1	EA	NO LONGER AVAILABLE



Item	Part No.	Name	Qty	Uom	NOTES
21	PE030074	DOOR HANDLE SS (27" WALL OVEN)	1	EA	
Not Shown	PE030075	DOOR HANDLE BR (27" WALL OVEN)	1	EA	Not available online / Call for pricing and availability
22	PE010016	LOGO (ALL RANGES) *BK/CHR 307997W	1	EA	
Not Shown	PE010017	LOGO (VGSO,VEDO,VGDO,VUD) *WH/CHR	1	EA	
Not Shown	PE010079	4.5" LOGO/VIKING PROF *BK/BR	1	EA	
Not Shown	PE010080	4.5" LOGO/VIKING PROF *WH/BR	1	EA	
NI	G3204338***^	COMPLETE DOOR ASSEMBLY	1	EA	Not available online / Call for pricing and availability
NI	PD020032	SRW-8(A)X3/8"PH.WFR HD 7/16DIA*NICL	1	EA	
NI	B1007234	HINGE TRIM REPL B2102963 2 EA	1	EA	

## FUNCTIONAL PARTS

NON  
ILLUSTRATED PART



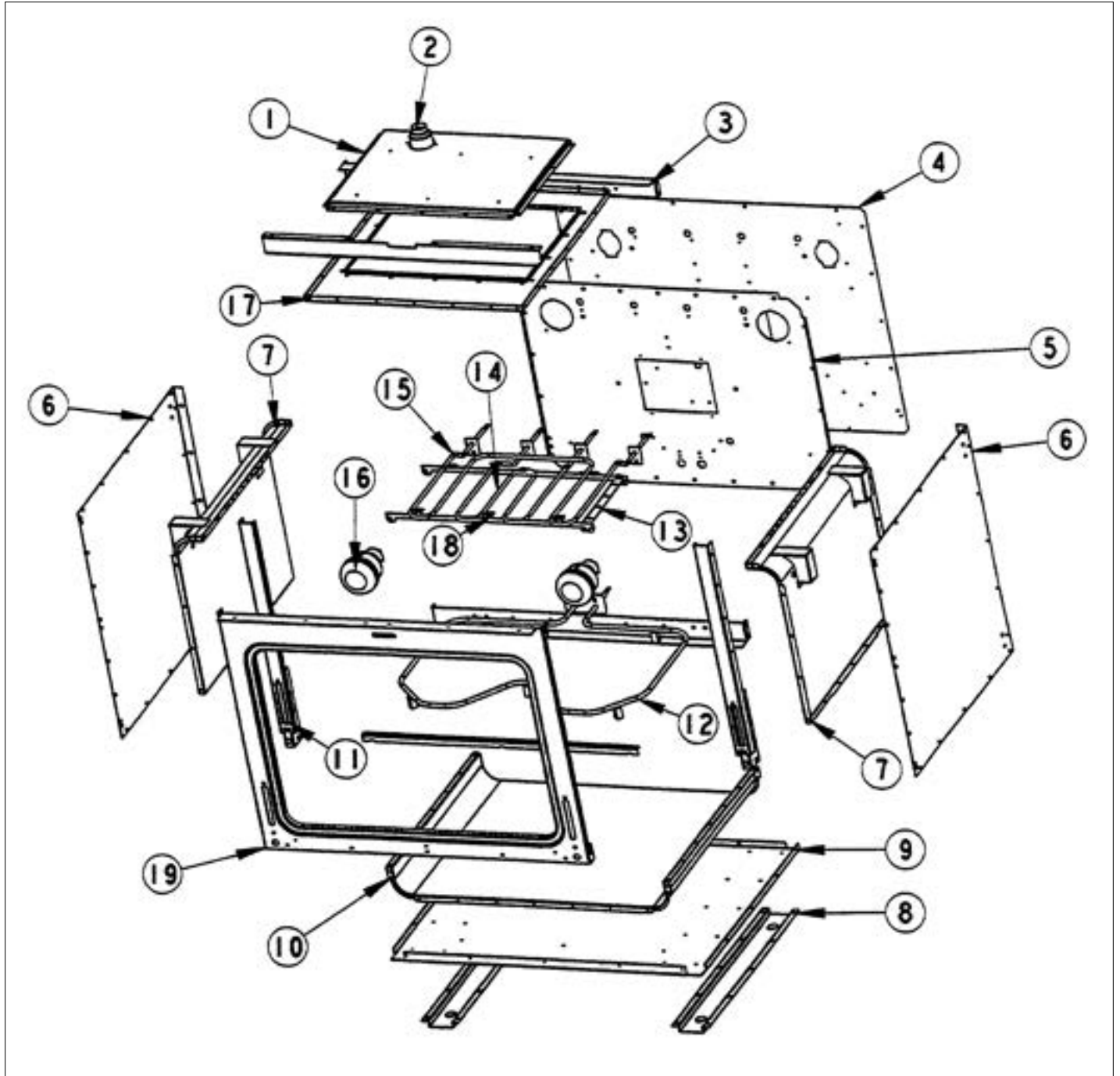
Item	Part No.	Name	Qty	Uom	NOTES
1	PJ030011	SWITCH (2-POSITION) VESO105	1	EA	
2	PE070246	20 WATT 100 OHM RESISTOR	1	EA	
3	PJ030018	8 POS ROTARY SWITCH	1	EA	
4	PJ010012	BAKE ELEMENT (VESO176/VEDO276)240V	1	EA	
5	PJ010001	BROIL ELEMENT 240V	1	EA	
6	PE050055	50 HZ ELECTRONIC CLOCK (VEDO/VESO)	1	EA	
7	PJ010003	CONVECTION ELEMENT (VDSC) 240V	1	EA	NO LONGER AVAILABLE
8	PE050005	CONVECTION FAN ASSY	1	EA	
9	PE110024	MOTOR FAN Y0042226	1	EA	NO LONGER AVAILABLE
10	PE050053	DR LATCH REPL PE050020	1	EA	
Comments for Part Num. PE050053  profixappliances@gmail.com on Oct 8, 2019 UNIT DEDO200SS, 121203C0000000562 - USES SELF CLEAN LATCH PE050112 WITH HOOK POINTED "DOWN"					
11	PJ010011	OUTSIDE BROIL ELEMENT (27" OVEN)240	1	EA	
12	PM010129	RELAY	1	EA	
13	PM010029	RELAY (DOUBLE POLE- DOUBLE THROW)TEM	1	EA	
14	PM010029	RELAY (DOUBLE POLE- DOUBLE THROW)TEM	1	EA	
15	PE070148	SELF-CLEAN BOARD/TIMER (VDSC)	1	EA	
16	PM010014	SMOKE ELIMINATOR (VDSC)	1	EA	
17	PJ030006	SWITCH (COOLING FAN)	1	EA	
18	PJ030005	SWITCH (HIGH-LIMIT) VDSC	1	EA	
19	054135-000	BLOCK, TERMINAL, 6-POLE (Heyco # 9454)	1	EA	
20	PE050001	TERMINAL BOARD	1	EA	
21	PJ030003	THERMOSTAT (SELF CLEAN) VDSC	1	EA	



Item	Part No.	Name	Qty	Uom	NOTES
Comments for Part Num. PJ030003					
boltz on Nov 21, 2017					
See Bulletin 2005-03					
Reply by steves@bendbroadband.com on Apr 10, 2018					
what bulletin? bulletin should linked here.					
Reply by bradleysapplianceservice@shaw.ca on Sep 27, 2018					
If you have access to Documoto then all you have to do is either run the part number PJ030003 or service bulletin number 2005-03AS in the main search field and all your answer will be there. It's Simple.					
22	PE070210	TRANSFORMER (2 X 60V) 6,67A	1	EA	NO LONGER AVAILABLE



OVEN ASSY





Item	Part No.	Name	Qty	Uom	NOTES
1	B2004311	BROILER TOP (27") (VESO176/DO276)	1	EA	NO LONGER AVAILABLE
2	PM010014	SMOKE ELIMINATOR (VDSC)	1	EA	
3	A2004307	REAR OVEN SUPPORT (VESO176/DO276)	1	EA	NO LONGER AVAILABLE, Not available online / Call for pricing and availability
4	A1004305	BACK INSULATION RETAINER(27"OVEN)	1	EA	NO LONGER AVAILABLE, Not available online / Call for pricing and availability
5	E9104304	OVEN BACK (VESO176/DO276)	1	EA	NO LONGER AVAILABLE, Not available online / Call for pricing and availability
6	A2002904	SIDE INSULATION RETAINER	1	EA	NO LONGER AVAILABLE, Not available online / Call for pricing and availability
7	G9102736	OVEN SIDE ASSY (VDSC)	1	EA	NO LONGER AVAILABLE, Not available online / Call for pricing and availability
8	A2002902	RUNNER	1	EA	NO LONGER AVAILABLE, Not available online / Call for pricing and availability
9	A2004306	BOTTOM INSULATION RETAINER(27"OVEN)	1	EA	NO LONGER AVAILABLE, Not available online / Call for pricing and availability
10	E9104303	OVEN BOTTOM (VEDO275/VESO175)	1	EA	NO LONGER AVAILABLE, Not available online / Call for pricing and availability
11	PC020016	HINGE RECEIVER (VEDO/VEDO)	1	EA	
12	PJ010012	BAKE ELEMENT (VESO176/VEDO276)240V	1	EA	
13	B2002489	THERMAL BULB SHIELD (VDSC)	1	EA	
14	PJ010001	BROIL ELEMENT 240V	1	EA	



Item	Part No.	Name	Qty	Uom	NOTES
15	PJ010011	OUTSIDE BROIL ELEMENT (27" OVEN)240	1	EA	
16	031449-000	LAMP, ASM	1	EA	
17	E9104302	OVEN TOP (VEDO276/VESO176)	1	EA	NO LONGER AVAILABLE, Not available online / Call for pricing and availability
18	B2004315	BROIL ELEMENT BRKT (VESO176/DO276)	1	EA	NO LONGER AVAILABLE, Not available online / Call for pricing and availability
19	G9104301	OVEN FRONT FRAME ASSY (VESO176/276)	1	EA	NO LONGER AVAILABLE, Not available online / Call for pricing and availability
NI	PE050001	TERMINAL BOARD	1	EA	
NI	PE070246	20 WATT 100 OHM RESISTOR	1	EA	
NI	PE070210	TRANSFORMER (2 X 60V) 6,67A	1	EA	NO LONGER AVAILABLE



Appendix A:Pages Index

CABINET ASSY ..... 1  
CONTROL-RACK ASSY ..... 2  
DOOR ASSY ..... 3  
FUNCTIONAL PARTS ..... 4  
OVEN ASSY ..... 5



Appendix B:Parts Index

000268-000	3	A2008467	2
000594-000	3	B1007234	3
000623-000	3	B2002489	5
031449-000	5	B2004311	5
054135-000	1, 4	B2004315	5
A1002456	1, 1	B2004326	3
A1002596	2	B9204324	2
A1004305	5	C9004326*	3
A1004320	1	C9204324BK	2
A2001746	2	C9204324WH	2
A2002168	1	E9102179	3
A2002367	3	E9104302	5
A2002497	3	E9104303	5
A2002595	2	E9104304	5
A2002902	5	E9104309	2
A2002904	5	E9104321	1
A2002906	1	E9104331	3
A2002909	1	G3204338**^	3
A2002910	1	G5004513BK	2
A2002911	1	G5004513BKBR	2
A2002948	1	G5004514WH	2
A2002950	1	G5004514WHBR	2
A2002951	1	G9102736	5
A2002952	1	G9104301	5
A2002954	1	G9104329	3
A2002956	1	G9104334	3
A2002960	3	J1004330	3
A2002962	3	PB010150	2
A2002965	1	PB010151	2
A2002966	1	PB010152	2
A2004306	5	PB010153	2
A2004307	5	PB010163	2
A2004308	1	PB010164	2
A2004310	1	PB010181	2
A2004312	1	PB010182	2
A2004318	1	PB010184	2
A2004332	3	PB010184BK	2
A2004335	2	PB010185BK	2
A2004336	2	PB010185WH	2
A2007442	1	PB060030	2
		PB060048	2



PB070034	3	PJ030005	4
PB070076	3	PJ030006	4
PC020016	5	PJ030011	2, 4
PC020188	3	PJ030018	2, 4
PD020032	3	PJ030022	1, 1
PD030033	1	PM010014	4, 5
PE010016	3	PM010029	1, 4, 4
PE010017	3	PM010129	1, 4
PE010079	3		
PE010080	3		
PE030001PVD	3		
PE030074	3		
PE030075	3		
PE040071	2		
PE040085	2		
PE040086	2		
PE040088	2		
PE050001	4, 5		
PE050005	2, 4		
PE050019	2		
PE050023	2		
PE050024	2		
PE050053	4		
PE050055	2, 4		
PE050059	1		
PE050112	1		
PE060022	3		
PE060023	3		
PE060050	3		
PE060051	3		
PE070148	1, 4		
PE070210	4, 5		
PE070246	4, 5		
PE110024	1, 4		
PE110031	1		
PJ010001	4, 5		
PJ010003	2, 4		
PJ010011	4, 5		
PJ010012	4, 5		
PJ030002	1		
PJ030003	2, 4		