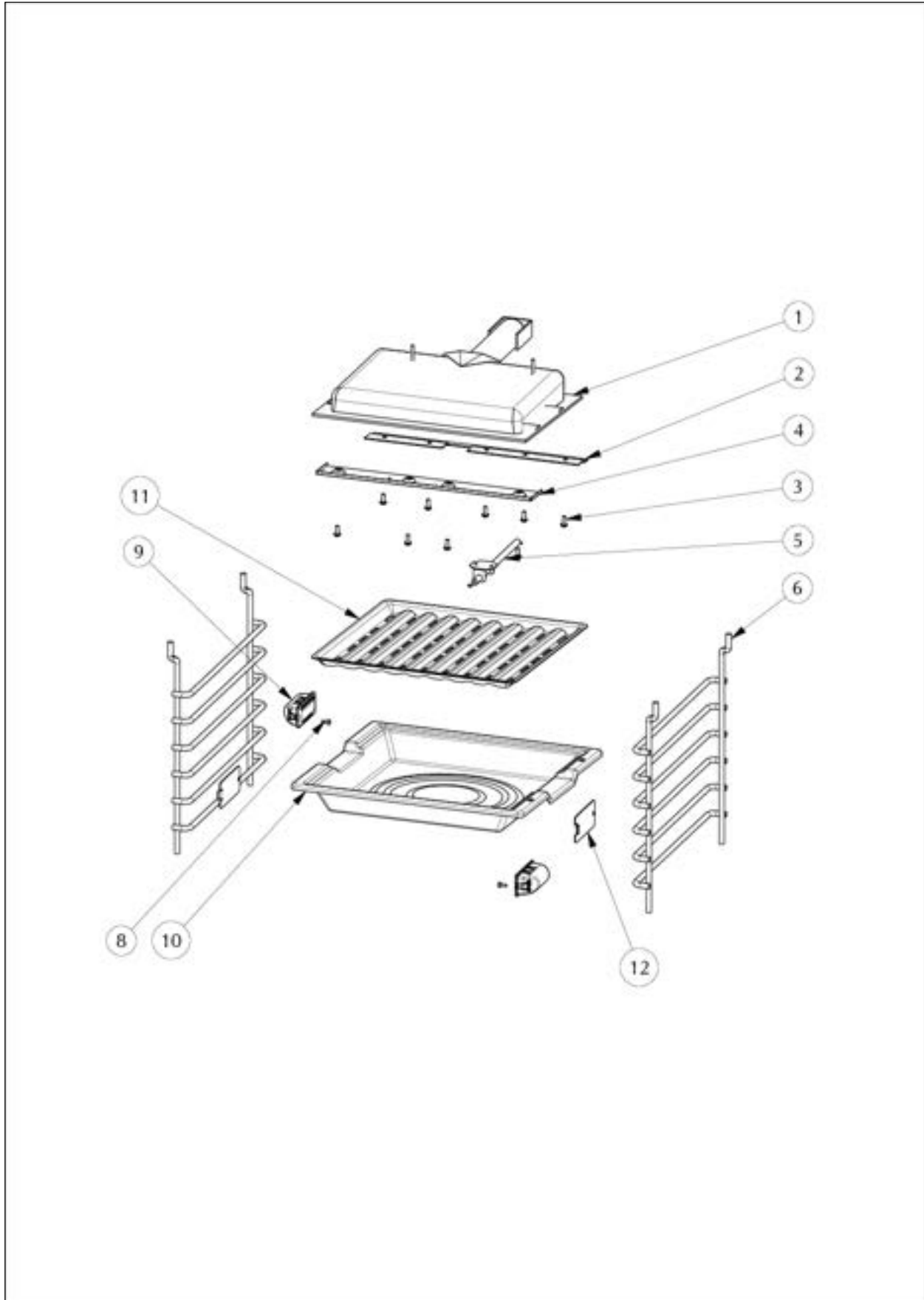


# **EVGCC530-4B**

BROILER AND RACKS .....	1
BURNER BOX INTERIOR .....	2
BURNER TOP .....	3
CONTROL AREA .....	4
DOOR ASSY .....	5
FAN ASSY .....	6
LEG ASSY .....	7
OVEN CAVITY .....	8
REAR SHEET METAL .....	9
UNIT WIRING .....	10
Appendix A:Pages Index .....	A
Appendix B:Parts Index .....	B

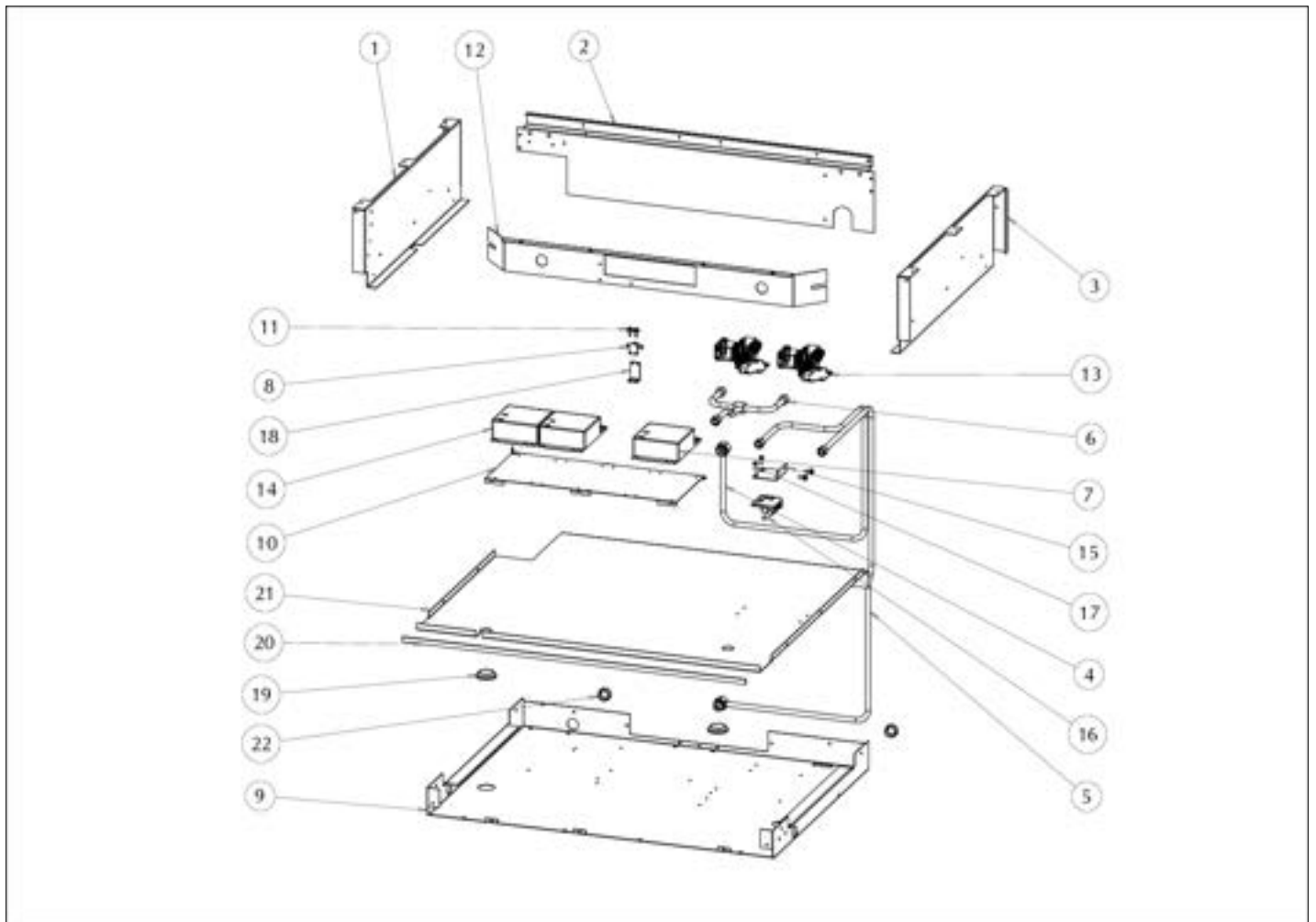
# BROILER AND RACKS





Item	Part No.	Name	Qty	Uom	NOTES
1	G3001876	IR BURNER ASSY (VGSC/RC) N/S	1	EA	
2	B2005589	REAR BROILER BRACKET	1	EA	Not available online / Call for pricing and availability
3	PD020048	NO.10 X 1/2 TEK 410 SS SCREW	11	EA	
4	B2002261	FRONT I/R BROILER SUPPORT	1	EA	
5	PB040171	BROIL IGNITION ELECTRODE	1	EA	
6	PB060030	RACK SUPT REPL PB060010	2	EA	
NI	PB060044	OVEN RK VDSC30/48RH REPL PB060019	3	EA	
Not Shown	NOTE	(BEFORE 12/20/12)		EA	
NI	065467-000	RACK, PRO, W/HDL, 30"	1	EA	
Not Shown	NOTE	(ON OR AFTER 12/20/12)		EA	
NI	065730-000	RACK, GLIDE, 30", W/HDL, ASSY	2	EA	
Not Shown	NOTE	(ON OR AFTER 12/20/12)		EA	
8	PD020067	#6 X 3/8" PAN PHIL. TEK *SS*	4	EA	
9	068653-601	LIGHT, 120V/25W, G9, HALOGEN, SIDE	2	EA	
NI	018022-000	CAPSULE LAMP G9 25W 230V	2	EA	
10	E9107933	BROILER PAN	1	EA	
11	E9107934	BROILER PAN INSERT - NLA	1	EA	
12	E91012614	LIGHT HOLE COVER	2	EA	

BURNER BOX INTERIOR



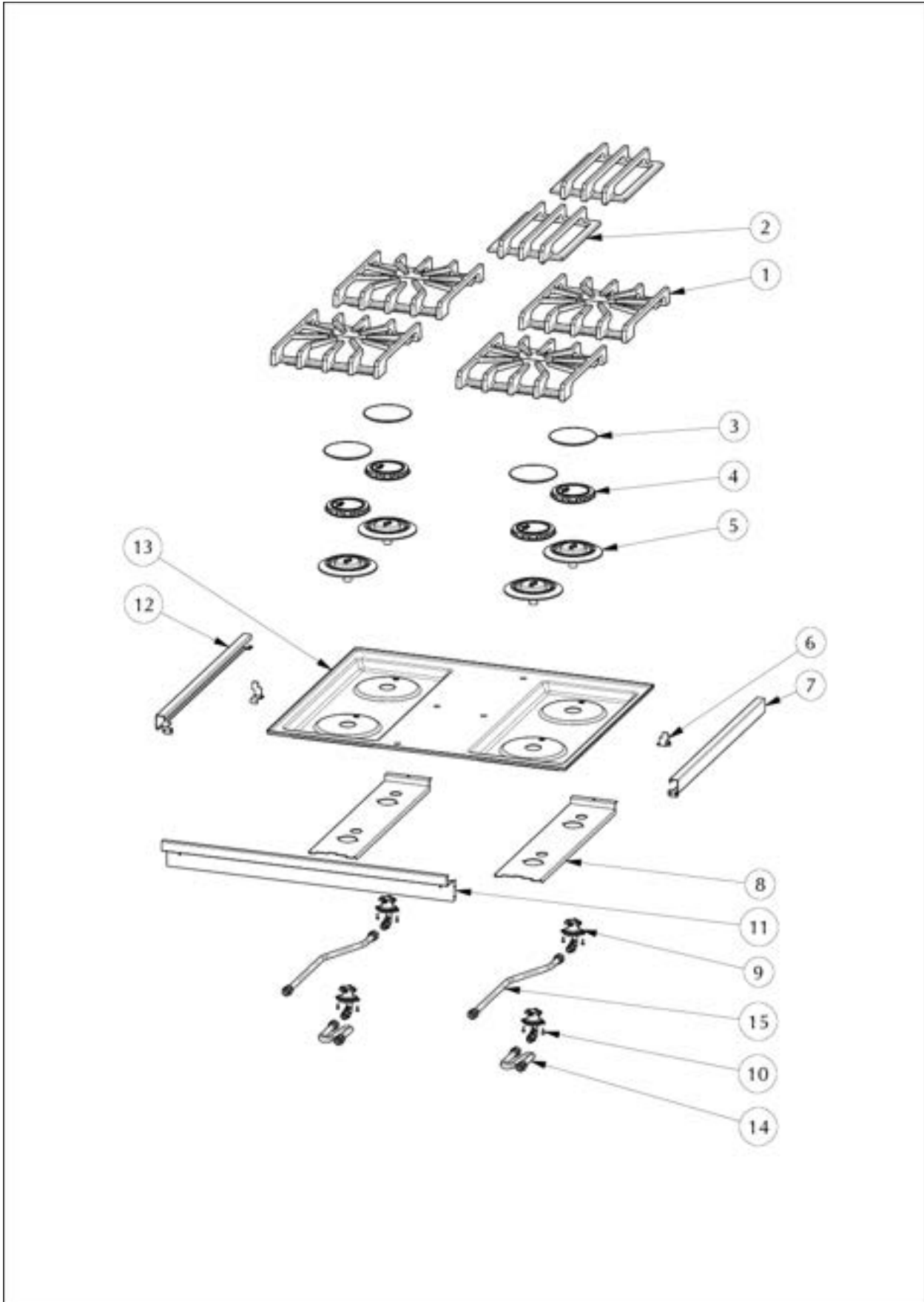


Item	Part No.	Name	Qty	Uom	NOTES
1	003481-000	BURNER BOX SIDE, LH	1	EA	
2	006035-000	SUPPORT, BACK	1	EA	
3	002755-000	BURNER BOX SIDE, RH	1	EA	
4	005372-000	BROIL TUBING	1	EA	
Not Shown	NOTE	FOR CORRECT ORIFICE, SEE CHART		EA	
5	006338-000	BAKE TUBING	1	EA	
Not Shown	NOTE	FOR CORRECT ORIFICE, SEE CHART		EA	
6	006339-000	MANIFOLD TUBING	1	EA	
6	011035-000	OVEN TUBING ASM	1	EA	
Not Shown	NOTE	AFTER (NA YET)		EA	
7	027348-000	DSI RETROFIT SERVICE KIT P1- NLA SEE BULLETIN TC-0063D-SP	2	EA	
<p>Comments for Part Num. 027348-000</p> <p>gboltz@VikingRange.com on Jan 20, 2017</p> <p>See service bulletin TC-0063D-SP</p>					
Not Shown	NOTE	(Before January 2011)		EA	
7	018610-000	DSI230-2-LVS-C OVEN	2	EA	Not available online / Call for pricing and availability
Not Shown	NOTE	(After January 2011)		EA	
8	PJ030039	BI-METAL THERMOSTAT 275 DEGREES	1	EA	
9	004628-000	TOP, CAB	1	EA	
10	005315-000	TRAY, ELEX, 30", GSC	1	EA	
11	003860-000	10-18 x .500 FASTNR,SCR,HXWH,STL,ZPLT	4	EA	
12	006114-000	DIVIDER, AIR	1	EA	
13	003226-000	FJT VALVE - NO NUT/FERRELL	2	EA	
13	009112-000	VALVE, SOL, DOUBLE	1	EA	
Not Shown	NOTE	AFTER (NA YET)		EA	



Item	Part No.	Name	Qty	Uom	NOTES
14	NA YET	CONVERSION KIT TO 018609-000 DSI MODULE	2	EA	
Not Shown	NOTE	(BEFORE 12/03/2010)		EA	
14	042721-507	DSI230 SHORT PURGE ASSY	2	EA	
Not Shown	NOTE	(AFTER 12/03/2010)		EA	
15	A20012649	DOOR SWITCH BRACKET	1	EA	
16	PE050208	DOOR SWITCH	1	EA	
17	PD020060	10 X 1/2" (5/16)HEX WSHR HD.(T)A	2	EA	
18	A20014089	DISC BRACKET	1	EA	
19	PB070079	SILICONE EXTRUSION (DGSU)	2	EA	
20	PB070058	Cooktop Gasket	1	EA	
21	004629-000	DIVIDER, TOP	1	EA	
22	PD040005	SNAP BUSHING - 7/8"	2	EA	
NI	PD030018	PALNUT - 3/4-16	1	EA	

BURNER TOP



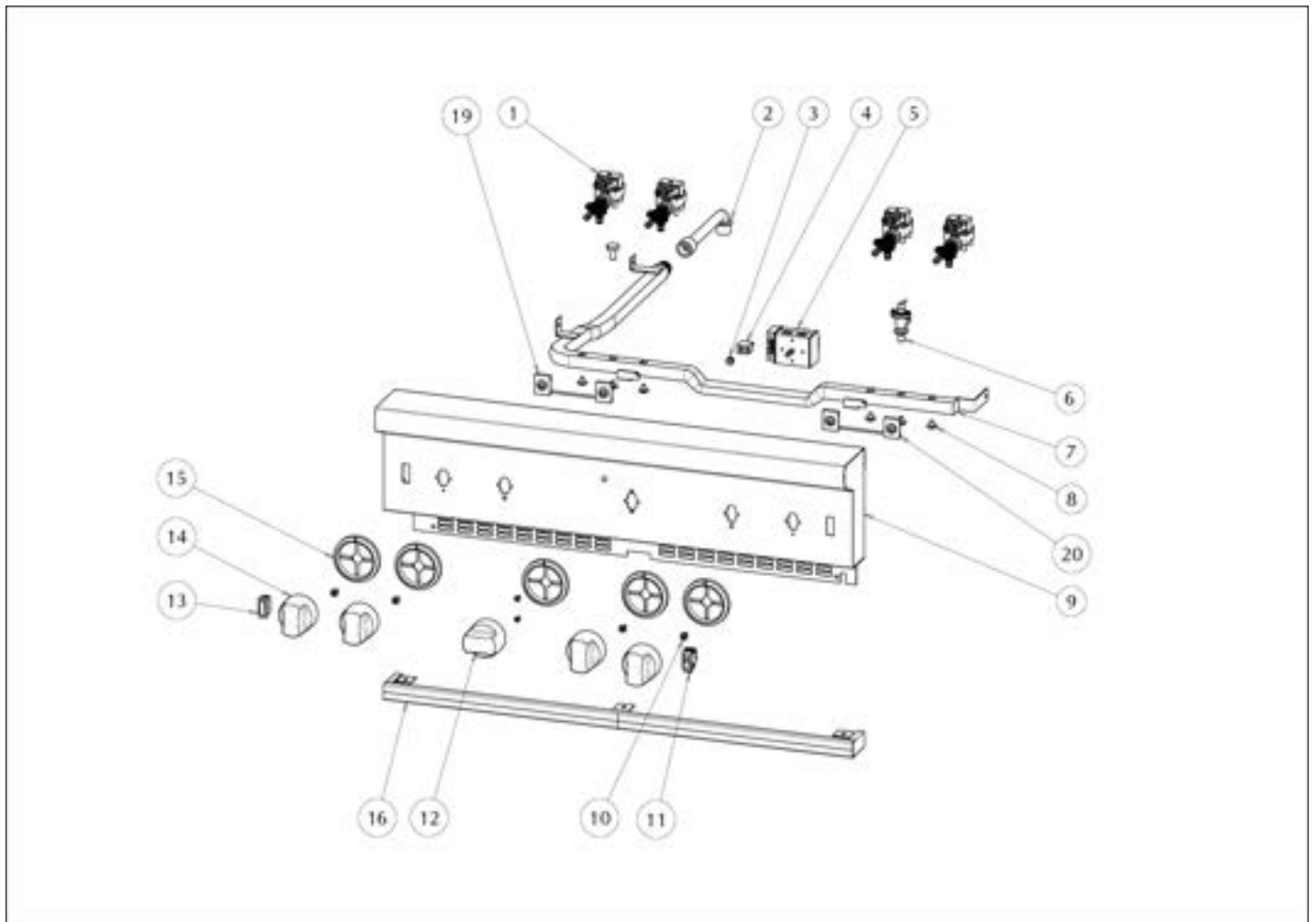


Item	Part No.	Name	Qty	Uom	NOTES
1	007323-000	BURNER GRATE	4	EA	
Not Shown	NOTE	(BEFORE 11/21/14)		EA	
1	049420-000	GRATE, BURNER, ASM	4	EA	
Not Shown	NOTE	(ON OR AFTER 11/21/14)		EA	
NI	074892-000	RUBBER FOOT	16	EA	
Not Shown	NOTE	(BEFORE 11/21/14)		EA	
NI	049416-000	BUMBER, GRATE	16	EA	
Not Shown	NOTE	(ON OR AFTER 11/21/14)		EA	
2	002907-000	CENTER GRATE, REDESIGN	2	EA	
Not Shown	NOTE	(BEFORE 12/4/14)		EA	
2	049426-000	GRATE, CENTER, ASM	2	EA	
Not Shown	NOTE	(ON OR AFTER 12/4/14)		EA	
Not Shown	NOTE	(BEFORE 12/4/14)		EA	
NI	049416-000	BUMBER, GRATE	8	EA	
Not Shown	NOTE	(ON OR AFTER 12/4/14)		EA	
3	066958-000	D BURNER CAP *MATTE BLACK*	4	EA	
4	018200-000	ADJUSTED SEALED BURNER HEAD	4	EA	
5	003322-041	SEALED BURNER BASE, PAINTED FINISH- GRAY	4	EA	
6	004021-000	SUPPORT,TRIM,SIDE	2	EA	
7	002920-000	TOP TRIM RING, RH	1	EA	
8	002923-000	BURNER MODULE SUPPORT	2	EA	
9	066197-041	18500 BTU NAT JETHOLDER	1	EA	
9	066197-042	15000 BTU NAT JETHOLDER	3	EA	
Not Shown	NOTE	(For correct orifice, see chart)		EA	
10	PD020076	6-32 X 3/8" PHILL PAN MS	8	EA	
11	002925-000	FRONT SUPPORT, BURNER BOX	1	EA	



Item	Part No.	Name	Qty	Uom	NOTES
12	003649-000	TOP TRIM RING, LH	1	EA	
13	E9107413BK	MAIN TOP 30" *BK*	1	EA	
14	PB020192	10" FLEX TUBING W/CONNECTORS	2	EA	
15	PB020193	16" FLEX TUBING W/CONNECTORS	2	EA	

CONTROL AREA



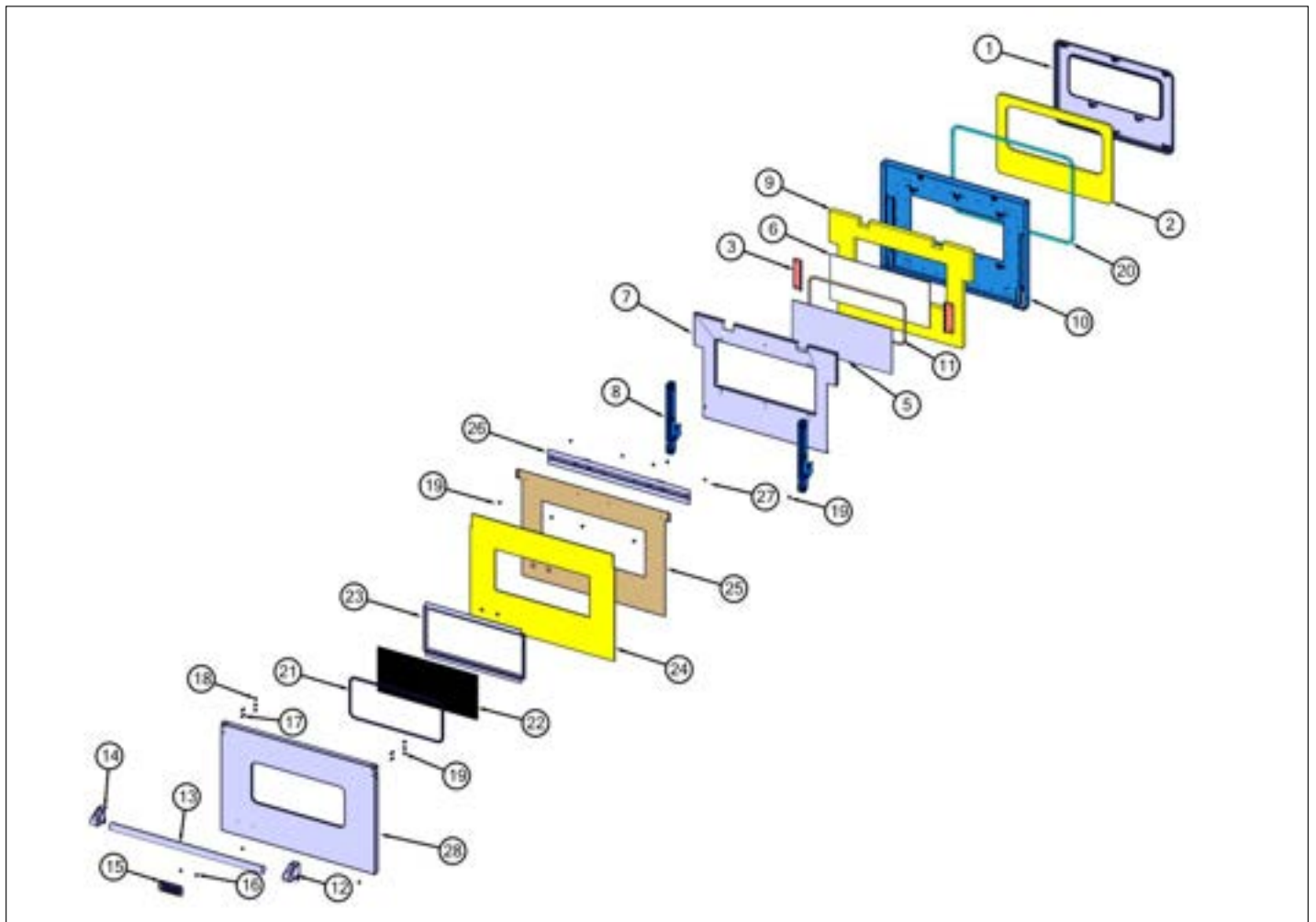


Item	Part No.	Name	Qty	Uom	NOTES
1	018605-000	VALVE & SOLENOID ASM	4	EA	
2	018031-000	GAS TUBE 174MM	1	EA	
NI	018627-000	COUPLING, 1/2" NPT/14 TPI	1	EA	
NI	018631-000	NIPPLE 5"	1	EA	
NI	PD040106	1/2" NPT-BSP ADAPTER	1	EA	
3	PE050023	OVEN IND. LIGHT (LENS & BEZEL)	1	EA	NO LONGER AVAILABLE
4	PE050024	OVEN IND. LIGHT (LIGHT HOUSING)	1	EA	
<p>Comments for Part Num. PE050024</p> <p>haarnink@vikingrange.com on Jan 14, 2019  please not that the indicator light is now part 043135-000 but needs the Jumper harness 051443-000. and second option there are units in the field with a 230V indicator light part number 036566-000.</p> <p>please check this for all "E" module ranges/Tops  ksturm@vikingrange.com on Apr 22, 2019  please not that the indicator light is now part 043135-000 but needs the Jumper harness 051443-000. and second option there are units in the field with a 230V indicator light part number 036566-000.</p> <p>please check this for all "E" module ranges/Tops</p>					
5	056034-000	TSTAT, SMPS, ELEC, 2-POS, .91" SHAFT, CB	1	EA	
Not Shown	NOTE	(NEED TO ORDER 026469-000 AND 013213-000)		EA	
6	007147-000	SHUT OFF VALVE	1	EA	
7	005374-000	MANIFOLD, ASM	1	EA	
8	PD010012	VALVE BOLT 1/4-20 UNC-2B 5/16" M.S.	4	EA	
9	025717-2068	CONTROL PANEL ASM, VGCC5304B, W/GRAPHICS	1	EA	
10	PD020067	#6 X 3/8" PAN PHIL. TEK *SS*	6	EA	
11	006355-000	SPLASHPROOF ROCKER SWITCH	1	EA	
12	013053-000	THERMOSTAT KNOB EVGCC *SS*	1	EA	
13	003719-000	OVEN LIGHT SWITCH, BLACK	1	EA	
14	005269-000	RANGE TOP BURNER KNOB-BRUSHED, SSS	4	EA	



Item	Part No.	Name	Qty	Uom	NOTES
15	050172-000	BEZEL, KNOB	5	EA	
16	009331-000	TRIM, ASM	1	EA	
17	018019-000	CE WIRE HARNESS -2	1	EA	
18	018018-000	CE WIRE HARNESS -1	1	EA	
19	PD040004	GROMMET BUMPER	2	EA	

DOOR ASSY



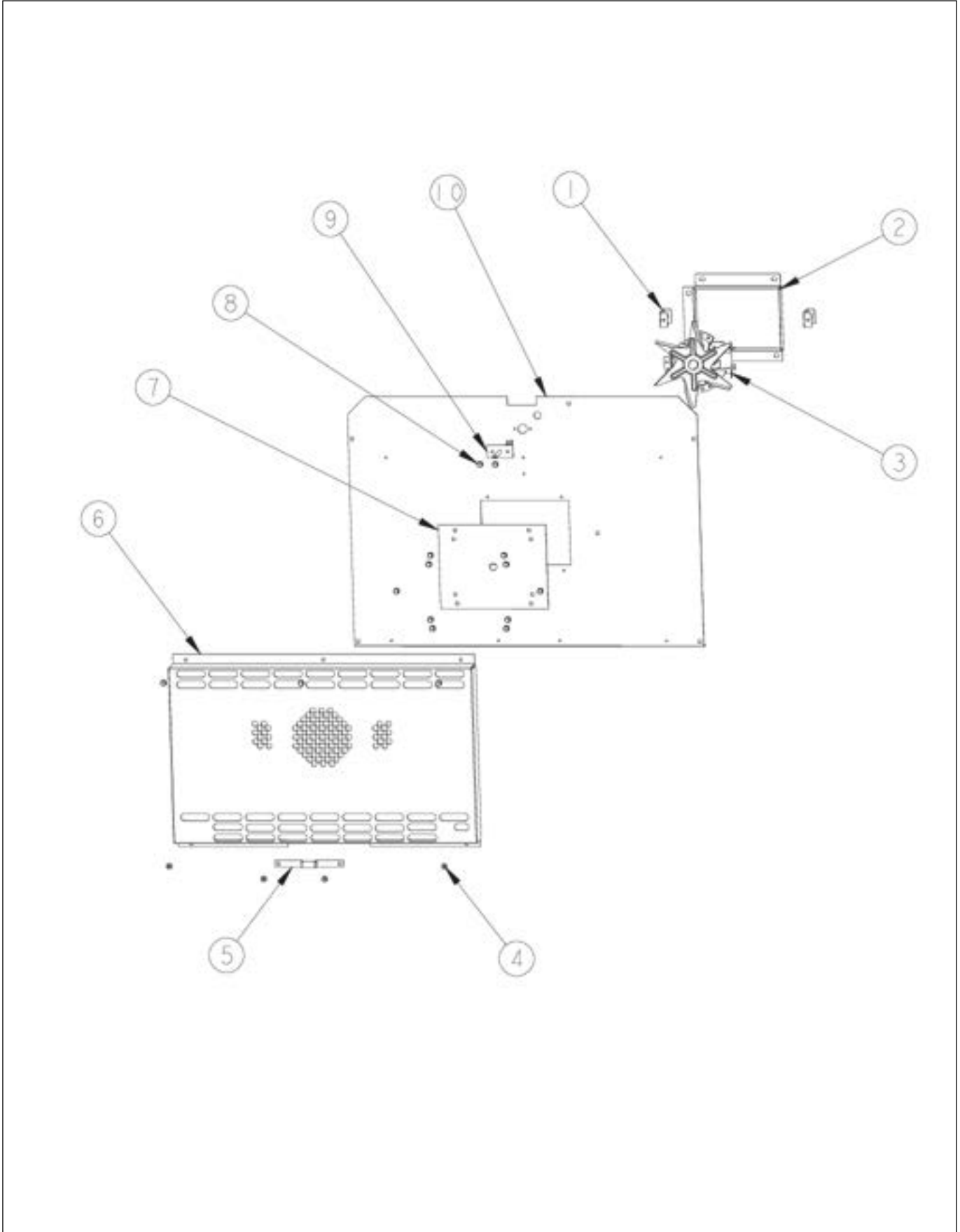


Item	Part No.	Name	Qty	Uom	NOTES
1	001142-000	PLUG, DOOR, ASM, PROCELAIN	1	EA	NO LONGER AVAILABLE
Comments for Part Num. 001142-000					
bradleysapplianceservice@shaw.ca on Nov 2, 2015					
001142-000 PLUG, DOOR, ASM, PORCELAIN (GREY WITH WHITE SPECS) OLD STYLE					
001142-402 PLUG, DOOR, ASM, PORCELAIN BK (BLACK LINER) NEW STYLE					
Not Shown	NOTE	(BEFORE 12/20/12)		EA	
1	001142-402	PLUG, DOOR, ASM, PORCELAIN BK	1	EA	
Not Shown	NOTE	(AFTER 12/20/12)		EA	
2	002560-000	DOOR PLUG INSULATION	1	EA	
3	004688-000	DOOR PANEL INSULATION LINER	1	EA	
5	PE060030	GLASS-OUTER DOOR BK SCREENED, TEMP	1	EA	
Not Shown	NOTE	(MUST ORDER ITEM #4)		EA	
6	PE060039	GLASS-HEAT TREATED (HB2) VDSC	1	EA	
7	004688-000	DOOR PANEL INSULATION LINER	1	EA	
8	002740-000	DOOR HINGE	2	EA	See TC-0121- SP Service Bulletin
9	005475-000	DOOR INSULATION	1	EA	
10	004691-000	DOOR LINER ASSY	1	EA	NO LONGER AVAILABLE
Comments for Part Num. 004691-000					
profixappliances@gmail.com on Dec 29, 2017					
004691-000 IS SPECKLED FINISH, FOR ALL BLACK FINISH ORDER 004691-402.					
Not Shown	NOTE	(BEFORE 12/20/12)		EA	
10	004691-402	LINER, DOOR ASM, BK PORC	1	EA	
Not Shown	NOTE	(AFTER 12/20/12)		EA	
11	000594-000	BLACK FIBERGLASS ROPE 3/8"	1	EA	



Item	Part No.	Name	Qty	Uom	NOTES
12	003012-000	DOOR HANDLE ENDCAP ASSY, RH (CHROME)	1	EA	
13	002728-000	DOOR HANDLE - SS, 1.25" 29.5	1	EA	
14	003011-000	DOOR HANDLE ENDCAP ASSY, LH (CHROME)	1	EA	
15	PE010016	LOGO (ALL RANGES) *BK/CHR 307997W	1	EA	
16	PD030006	CAPPED WASHER PAL NUT	2	EA	
17	030823-000	#10-32 PAN HEAD PHILLIPS MACHINE SCREW	4	EA	
18	004907-000	STEEL FINISHING PLUG, NICKEL PLTD 25/64" HOLE	4	EA	
19	PD020033	SRW-#10-24X1/2"(23)PH.WFR HD (NKL)	6	EA	
20	000042-000	30" DOOR GASKET	1	EA	
21	PE060031	J-MOLD (LARGE WINDOW)	1	EA	
22	PE060030	GLASS-OUTER DOOR BK SCREENED, TEMP	1	EA	
23	008097-000	FRAME, GLASS, ALUMINUM	1	EA	
24	004685-000	INSULATION, DOOR, PANEL	1	EA	
25	004684-000	PANEL, DOOR, INSULATION, GSC	1	EA	
26	006553-000	DOOR BRACKET, WELD ASSY	1	EA	
27	PD030010	#10-24 KEPS NUT ZINC PLATED	4	EA	
28	035632-000	PANEL,DOOR,EXT	1	EA	
28	007362-002	PANEL,DOOR 30" OTR DECARB BK	1	EA	
28	007362-005	PANEL,DOOR 30" OTR DECARB GG	1	EA	
28	007362-006	PANEL,DOOR 30" OTR DECARB WH	1	EA	
28	007362-008	PANEL,DOOR 30" OTR DECARB BU	1	EA	
28	007362-013	PANEL,DOOR 30" OTR DECARB CB	1	EA	
28	007362-024	PANEL,DOOR 30" OTR DECARB AR	1	EA	

FAN ASSY





Item	Part No.	Name	Qty	Uom	NOTES
1	A2001361	BACK SPACER (VGSC/VGSS)	2	EA	
2	A2008467	INSULATION SHIELD	1	EA	
3	PE050057	CONVECTION FAN (VGSC306)	1	EA	
3	027009-000	CONVECTION FAN MOTOR	1	EA	
Not Shown	NOTE	AFTER (NA YET)		EA	
4	M0210443	SCREW-E SM VM0210443	7	EA	
5	A2004428	REAR BOTTOM BRCKT (VGSC306)	1	EA	
6	G9104482	CONVECTION FAN COVER ASSY (VGSC306)	1	EA	NO LONGER AVAILABLE
7	A1002596	CONVECTION FAN COVER (VDSC)	1	EA	
8	PD020048	NO.10 X 1/2 TEK 410 SS SCREW	15	EA	
9	PE050206	RTD THERMOSTAT PROBE	1	EA	
10	020404-000	FLAT PANEL	1	EA	





Item	Part No.	Name	Qty	Uom	NOTES
1	NOT REPLACEABLE	OVEN BASE	N/A	EA	
2	003860-000	10-18 x .500 FASTNR,SCR,HXWH,STL,ZPLT	16	EA	
3	PC030007	LEG PLATE - 3/4" THREADED HOLE	4	EA	
4	044178-000	RANGE, LEG, ADJUSTABLE	4	EA	
5	006199-000	SPACER, BOT, 30", GSC	1	EA	
6	006198-000	PANEL, ACS, 30", GSC	1	EA	
Not Shown	NOTE	(BEFORE 06/14/12)		EA	
6	035955-000	PANEL, ACS, 30", GSC	1	EA	
Not Shown	NOTE	(BETWEEN 06/14/12 - 06/14/13)		EA	
6	038426-000	KICKPLATE,30"	1	EA	
Not Shown	NOTE	(ON OR AFTER 06/14/13)		EA	
6	007361-002	PANEL, ACS, 30", KICKPLATE, BK	1	EA	
Not Shown	NOTE	(BEFORE 06/14/13)		EA	
6	038577-002	KICKPLATE, 30" BK	1	EA	
Not Shown	NOTE	(ON OR AFTER 06/14/13)		EA	
6	007361-003	PANEL, ACS, 30", KICKPLATE, BT	1	EA	
Not Shown	NOTE	(BEFORE 06/14/13)		EA	
6	038577-003	KICKPLATE 30" BT	1	EA	
Not Shown	NOTE	(ON OR AFTER 06/14/13)		EA	
6	007361-004	PANEL, ACS, 30", KICKPLATE, SG	1	EA	
Not Shown	NOTE	(BEFORE 06/14/13)		EA	
6	038577-004	KICKPLATE 30" SG	1	EA	
Not Shown	NOTE	(ON OR AFTER 06/14/13)		EA	
6	007361-005	PANEL, ACS, 30", KICKPLATE, GG	1	EA	
Not Shown	NOTE	(BEFORE 06/14/13)		EA	



Item	Part No.	Name	Qty	Uom	NOTES
6	038577-005	KICKPLATE, 30" GG	1	EA	
Not Shown	NOTE	(ON OR AFTER 06/14/13)		EA	
6	007361-006	PANEL, ACS, 30", KICKPLATE, WH	1	EA	
Not Shown	NOTE	(BEFORE 06/14/13)		EA	
6	038577-006	KICKPLATE, 30" WH	1	EA	
Not Shown	NOTE	(ON OR AFTER 06/14/13)		EA	
6	007361-008	PANEL, ACS, 30", KICKPLATE, BU	1	EA	
Not Shown	NOTE	(BEFORE 06/14/13)		EA	
6	038577-008	KICKPLATE, 30" BU	1	EA	
Not Shown	NOTE	(ON OR AFTER 06/14/13)		EA	
6	007361-009	PANEL, ACS, 30", KICKPLATE, LE	1	EA	
Not Shown	NOTE	(BEFORE 06/14/13)		EA	
6	038577-009	KICKPLATE 30" LE	1	EA	
Not Shown	NOTE	(ON OR AFTER 06/14/13)		EA	
6	007361-010	PANEL, ACS, 30", KICKPLATE, MJ	1	EA	
Not Shown	NOTE	(BEFORE 06/14/13)		EA	
6	038577-010	KICKPLATE 30" MJ	1	EA	
Not Shown	NOTE	(ON OR AFTER 06/14/13)		EA	
6	007361-012	PANEL, ACS, 30", KICKPLATE, VB	1	EA	
Not Shown	NOTE	(BEFORE 06/14/13)		EA	
6	038577-012	KICKPLATE 30" VB	1	EA	
Not Shown	NOTE	(ON OR AFTER 06/14/13)		EA	
6	007361-013	PANEL, ACS, 30", KICKPLATE, CB	1	EA	
Not Shown	NOTE	(BEFORE 06/14/13)		EA	



Item	Part No.	Name	Qty	Uom	NOTES
6	038577-013	KICKPLATE, 30" CB	1	EA	
Not Shown	NOTE	(ON OR AFTER 06/14/13)		EA	
6	007361-015	PANEL, ACS, 30", KICKPLATE, PL	1	EA	
Not Shown	NOTE	(BEFORE 06/14/13)		EA	
6	038577-015	KICKPLATE 30" CH	1	EA	
Not Shown	NOTE	(ON OR AFTER 06/14/13)		EA	
6	007361-016	PANEL, ACS, 30", KICKPLATE, CH	1	EA	Not available online / Call for pricing and availability
Not Shown	NOTE	(BEFORE 06/14/13)		EA	
6	038577-016	KICKPLATE 30" CH	1	EA	
Not Shown	NOTE	(ON OR AFTER 06/14/13)		EA	
6	007361-017	PANEL, ACS, 30" KICKPLATE, TP	1	EA	
Not Shown	NOTE	(BEFORE 06/14/13)		EA	
6	038577-017	KICKPLATE 30" OG	1	EA	
Not Shown	NOTE	(ON OR AFTER 06/14/13)		EA	
6	007361-018	PANEL, ACS, 30" KICKPLATE, CW NLA	1	EA	
Not Shown	NOTE	(BEFORE 06/14/13)		EA	
6	038577-018	KICKPLATE 30" CW	1	EA	
Not Shown	NOTE	(ON OR AFTER 06/14/13)		EA	
6	007361-021	PANEL, ACS, 30", KICKPLATE, SA	1	EA	
Not Shown	NOTE	(BEFORE 06/14/13)		EA	
6	038577-021	KICKPLATE 30" SA	1	EA	
Not Shown	NOTE	(ON OR AFTER 06/14/13)		EA	

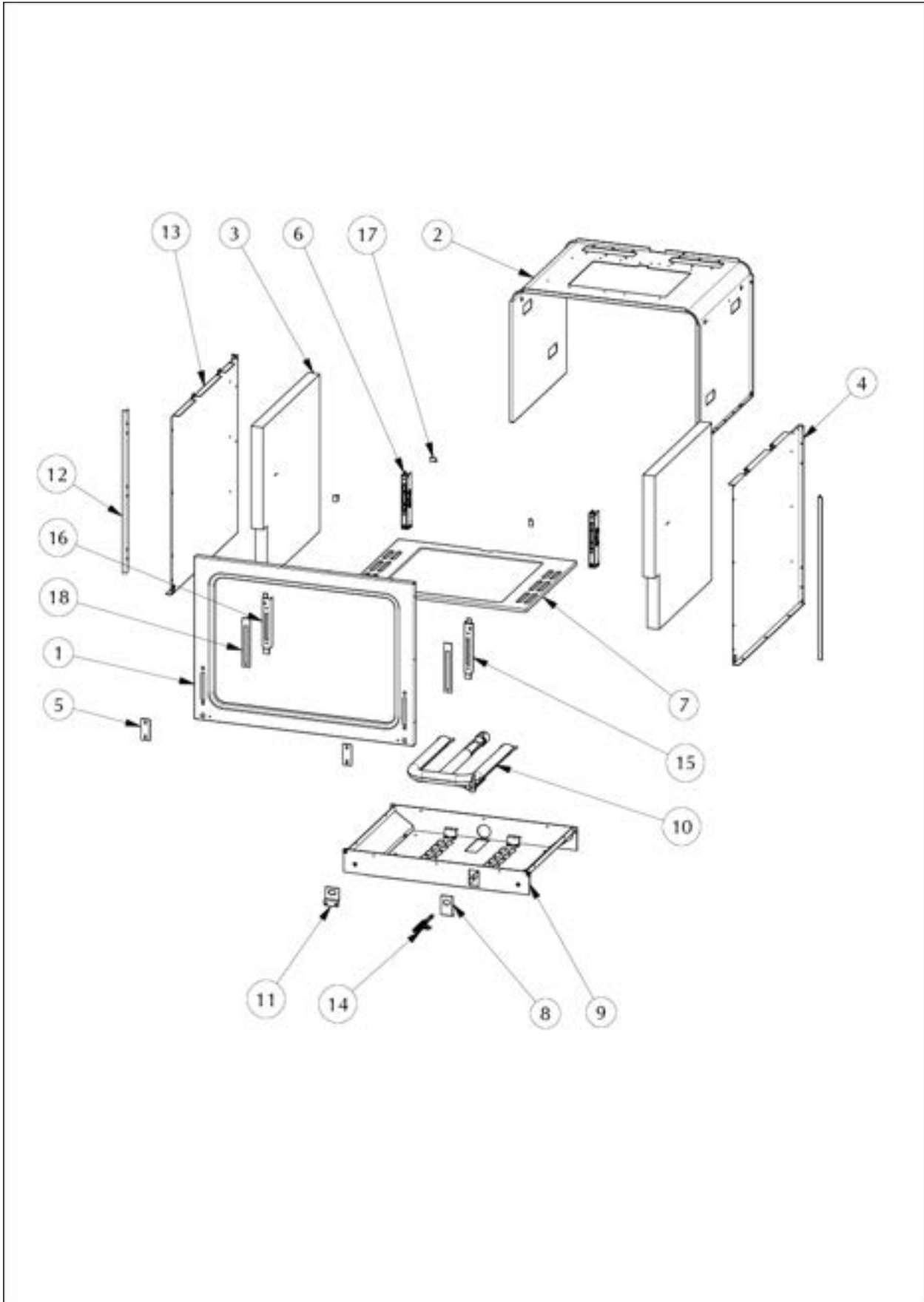


Item	Part No.	Name	Qty	Uom	NOTES
6	007361-022	PANEL, ACS, 30" KICKPLATE, SE	1	EA	Not available online / Call for pricing and availability
Not Shown	NOTE	(BEFORE 06/14/13)		EA	
6	038577-022	KICKPLATE 30" SE	1	EA	
Not Shown	NOTE	(ON OR AFTER 06/14/13)		EA	
6	007361-023	PANEL, ACS, 30", KICKPLATE, IB	1	EA	
Not Shown	NOTE	(BEFORE 06/14/13)		EA	
6	038577-023	KICKPLATE 30" IB	1	EA	
Not Shown	NOTE	(ON OR AFTER 06/14/13)		EA	
6	007361-024	PANEL, ACS, 30", KICKPLATE, AR	1	EA	
Not Shown	NOTE	(BEFORE 06/14/13)		EA	
6	038577-024	KICKPLATE, 30" AR	1	EA	
Not Shown	NOTE	(ON OR AFTER 06/14/13)		EA	
6	007361-025	PANEL, ACS, 30", KICKPLATE, RR	1	EA	
Not Shown	NOTE	(BEFORE 06/14/13)		EA	
6	038577-025	KICKPLATE 30" RR	1	EA	
Not Shown	NOTE	(ON OR AFTER 06/14/13)		EA	
6	007361-026	PANEL, ACS, 30", KICKPLATE, PM	1	EA	
Not Shown	NOTE	(BEFORE 06/14/13)		EA	
6	038577-026	KICKPLATE, 30" PM	1	EA	
Not Shown	NOTE	(ON OR AFTER 06/14/13)		EA	
6	007361-051	PANEL, ACS, 30, KICKPLATE, CNá	1	EA	
Not Shown	NOTE	(BEFORE 06/14/13)		EA	
6	038577-051	KICKPLATE 30" CN	1	EA	



Item	Part No.	Name	Qty	Uom	NOTES
Not Shown	NOTE	(ON OR AFTER 06/14/13)		EA	
7	PD020068	' #10 - 32 X 1/2"TRUSS. PHIL. M.*SS*	4	EA	
8	005537-000	PLATE, MTG, LWR	1	EA	
9	A2004429	OVEN BOTTOM INSUL. BRACE (VGSC306)	1	EA	

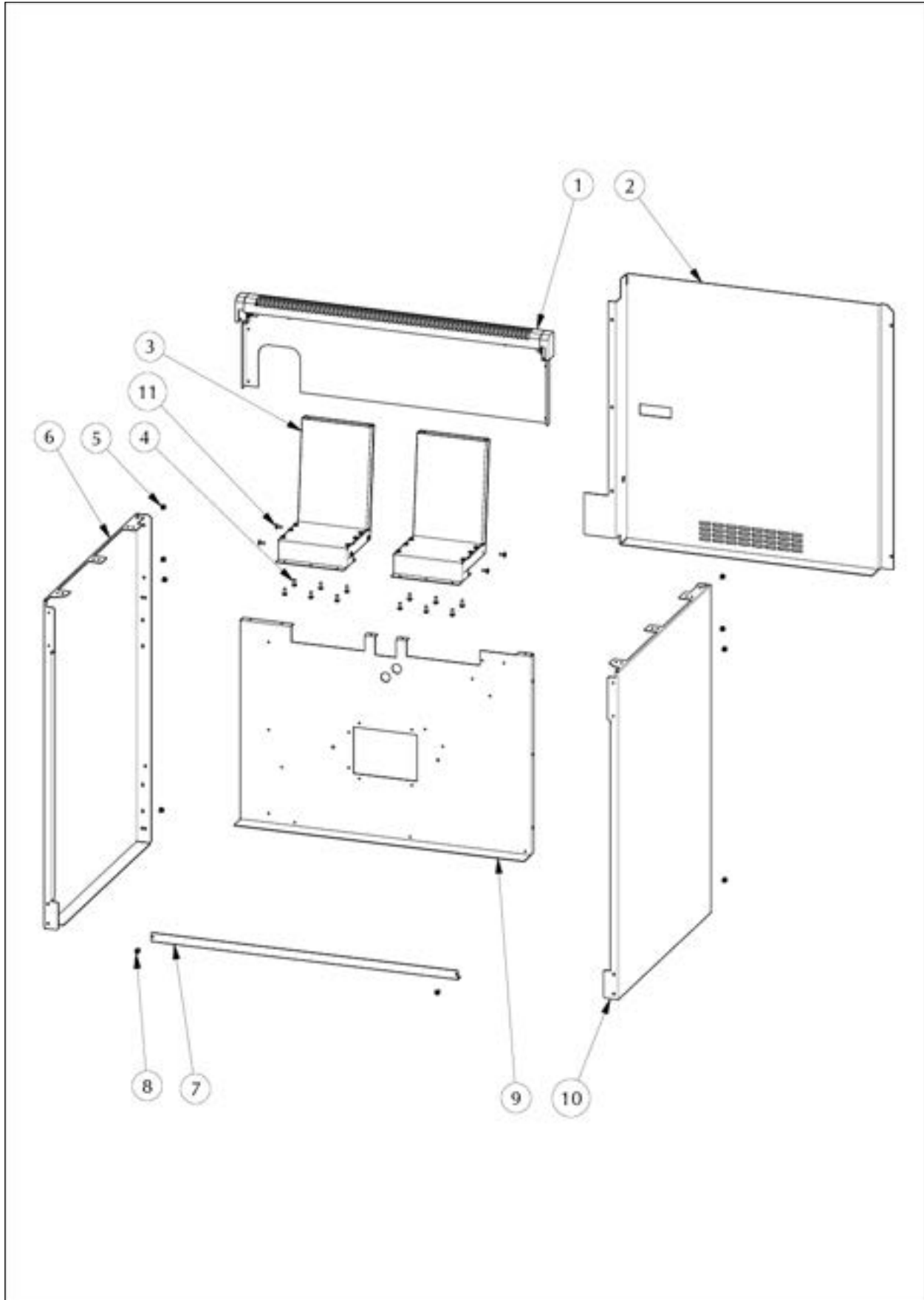
## OVEN CAVITY





Item	Part No.	Name	Qty	Uom	NOTES
1	005373-000	30" FRONT FRAME WELD ASSY	1	EA	
2	005047-000	OVEN CAVITY WELD	1	EA	Not available online / Call for pricing and availability
3	PB070302	SIDE INSULATION	2	EA	
4	004479-000	INSULATION, PNL, SIDE, RH	1	EA	
5	007278-000	ARM HINGE CLIP	2	EA	
Not Shown	NOTE	(BEFORE 01/02/13)		EA	
5	049718-402	CLIP, RETAINER, HINGE, GLOSS BLACK ENAMEL	2	EA	
Not Shown	NOTE	(AFTER 01/02/13)		EA	
6	031679-000	RECEPTACLE, HINGE	2	EA	
7	068456-000	ASM, BOTTOM, CAVITY, OVEN, GAS, 30", GRAY	1	EA	
Not Shown	NOTE	(INCLUDES HEAT SHIELD)	1	EA	
8	005529-000	BAKE ORIFICE MOUNTING BRACKET	1	EA	
9	005102-000	BURNER PAN ASSEMBLY	1	EA	
10	005329-000	BURNER, OVEN, ASM	1	EA	
11	005280-000	DISCONNECT BRKT	1	EA	
12	005536-000	TRIM	2	EA	
13	004482-000	INSULATION, PNL, SIDE, LH	1	EA	
14	PB040170	BAKE IGNITION ELECTRODE	1	EA	
15	031105-000	BRACKET, HINGE RECPT RH	1	EA	NOT FIELD REPLACEABLE, Not available online / Call for pricing and availability
16	031106-000	BRACKET, HINGE RECPT LH	1	EA	NOT FIELD REPLACEABLE, Not available online / Call for pricing and availability
17	006050-000	BRACKET, FR, FRONT	3	EA	
18	007259-000	SHIM - NLA	2	EA	

REAR SHEET METAL



Item	Part No.	Name	Qty	Uom	NOTES
1	004464-000	TRIM, IS, ASM, REDESIGN, 30"	1	EA	
Not Shown	NOTE	(BEFORE 01/17/13)		EA	
1	041445-000	TRIM, IS, ASSY, 30"	1	EA	
Not Shown	NOTE	(ON OR AFTER 01/17/13)		EA	
2	004625-000	PANEL, BACK, OUTER, 30"	1	EA	
3	006192-000	VENT, ASM, OVEN ASSEMBLY	2	EA	
4	PD020048	NO.10 X 1/2 TEK 410 SS SCREW	18	EA	
5	003860-000	10-18 x .500 FASTNR,SCR,HXWH,STL,ZPLT	11	EA	
6	003588-000	SIDE PANEL, LH, SS	1	EA	
Not Shown	NOTE	(BEFORE 04/29/13)		EA	
6	042648-000	COVER, OS, LH	1	EA	
Not Shown	NOTE	(BETWEEN 04/29/13 - 02/15/16)		EA	
6	056872-000	PANEL, SIDE, LH	1	EA	
Not Shown	NOTE	(ON OR AFTER 02/15/16)		EA	
6	005505-002	PANEL, SIDE, DECARB, RH, BK	1	EA	
Not Shown	NOTE	(BEFORE 06/03/13)		EA	
6	042678-002	COVER, OS, LH BK	1	EA	
Not Shown	NOTE	(BETWEEN 06/03/13 - 02/15/16)		EA	
6	005505-003	SIDE PANEL, LH ASSY, PAINTED BT	1	EA	
Not Shown	NOTE	(BEFORE 06/03/13)		EA	
Not Shown	042678-003	COVER, OS, LH BT	1	EA	
Not Shown	NOTE	(BETWEEN 06/03/13 - 02/15/16)		EA	
6	005505-004	SIDE PANEL, LH ASSY, PAINTED SG	1	EA	
Not Shown	NOTE	(BEFORE 06/03/13)		EA	
Not Shown	042678-004	COVER, OS, LH SG	1	EA	



Item	Part No.	Name	Qty	Uom	NOTES
Not Shown	NOTE	(BETWEEN 06/03/13 - 02/15/16)		EA	
6	005505-005	PANEL, SIDE, DECARB, RH, GG	1	EA	
Not Shown	NOTE	(BEFORE 06/03/13)		EA	
Not Shown	042678-005	COVER, OS, LH GG	1	EA	
Not Shown	NOTE	(BETWEEN 06/03/13 - 02/15/16)		EA	
6	005505-006	PANEL, SIDE, DECARB, RH, WH	1	EA	NO LONGER AVAILABLE
Not Shown	NOTE	(BEFORE 06/03/13)		EA	
Not Shown	042678-006	COVER, OS, LH WH	1	EA	
Not Shown	NOTE	(BETWEEN 06/03/13 - 02/15/16)		EA	
6	005505-008	PANEL, SIDE, DECARB, RH, BU	1	EA	
Not Shown	NOTE	(BEFORE 06/03/13)		EA	
Not Shown	042678-008	COVER, OS, LH BU	1	EA	
Not Shown	NOTE	(BETWEEN 06/03/13 - 02/15/16)		EA	
6	005505-009	SIDE PANEL, LH ASSY, PAINTED LE	1	EA	
Not Shown	NOTE	(BEFORE 06/03/13)		EA	
Not Shown	042678-009	COVER, OS, LH LE	1	EA	
Not Shown	NOTE	(BETWEEN 06/03/13 - 02/15/16)		EA	
6	005505-010	SIDE PANEL, LH ASSY, PAINTED MJ	1	EA	
Not Shown	NOTE	(BEFORE 06/03/13)		EA	
Not Shown	042678-010	COVER, OS, LH MJ	1	EA	
Not Shown	NOTE	(BETWEEN 06/03/13 - 02/15/16)		EA	
6	005505-012	SIDE PANEL, LH ASSY, PAINTED VB	1	EA	



Item	Part No.	Name	Qty	Uom	NOTES
Not Shown	NOTE	(BEFORE 06/03/13)		EA	
Not Shown	042678-012	COVER, OS, LH VB	1	EA	
Not Shown	NOTE	(BETWEEN 06/03/13 - 02/15/16)		EA	
6	005505-013	PANEL, SIDE, DECARB, RH, CB	1	EA	
Not Shown	NOTE	(BEFORE 06/03/13)		EA	
Not Shown	042678-013	COVER, OS, LH EP	1	EA	
Not Shown	NOTE	(BETWEEN 06/03/13 - 02/15/16)		EA	
6	005505-015	SIDE PANEL, LH ASSY, PAINTED PL	1	EA	
Not Shown	NOTE	(BEFORE 06/03/13)		EA	
Not Shown	042678-015	COVER, OS, LH PL	1	EA	
Not Shown	NOTE	(BETWEEN 06/03/13 - 02/15/16)		EA	
6	005505-016	SIDE PANEL, LH ASSY, PAINTED CH	1	EA	
Not Shown	NOTE	(BEFORE 06/03/13)		EA	
Not Shown	042678-016	COVER, OS, LH CH	1	EA	
Not Shown	NOTE	(BETWEEN 06/03/13 - 02/15/16)		EA	
6	005505-017	SIDE PANEL, LH ASSY, PAINTED TP	1	EA	
Not Shown	NOTE	(BEFORE 06/03/13)		EA	
Not Shown	042678-017	COVER, OS, LH TP	1	EA	
Not Shown	NOTE	(BETWEEN 06/03/13 - 02/15/16)		EA	
6	005505-018	SIDE PANEL, LH ASSY, PAINTED CW	1	EA	
Not Shown	NOTE	(BEFORE 06/03/13)		EA	
Not Shown	042678-018	COVER, OS, LH CW	1	EA	



Item	Part No.	Name	Qty	Uom	NOTES
Not Shown	NOTE	(BETWEEN 06/03/13 - 02/15/16)		EA	
6	005505-019	SIDE PANEL, LH ASSY, PAINTED OG	1	EA	
Not Shown	NOTE	(BEFORE 06/03/13)		EA	
Not Shown	042678-019	COVER, OS, LH OG	1	EA	
Not Shown	NOTE	(BETWEEN 06/03/13 - 02/15/16)		EA	
6	005505-020	SIDE PANEL, LH ASSY, PAINTED GM	1	EA	
Not Shown	NOTE	(BEFORE 06/03/13)		EA	
Not Shown	042678-020	COVER, OS, LH GM	1	EA	
Not Shown	NOTE	(BETWEEN 06/03/13 - 02/15/16)		EA	
6	005505-021	SIDE PANEL, LH ASSY, PAINTED SA	1	EA	
Not Shown	NOTE	(BEFORE 06/03/13)		EA	
Not Shown	042678-021	COVER, OS, LH SA	1	EA	
Not Shown	NOTE	(BETWEEN 06/03/13 - 02/15/16)		EA	
6	005505-022	SIDE PANEL, LH ASSY, PAINTED SE	1	EA	
Not Shown	NOTE	(BEFORE 06/03/13)		EA	
Not Shown	042678-022	COVER, OS, LH SE	1	EA	
Not Shown	NOTE	(BETWEEN 06/03/13 - 02/15/16)		EA	
6	005505-023	SIDE PANEL, LH ASSY, PAINTED IB	1	EA	
Not Shown	NOTE	(BEFORE 06/03/13)		EA	
Not Shown	042678-023	COVER, OS, LH IB	1	EA	
Not Shown	NOTE	(BETWEEN 06/03/13 - 02/15/16)		EA	
6	005505-024	PANEL, SIDE, DECARB, RH, AR	1	EA	



Item	Part No.	Name	Qty	Uom	NOTES
Not Shown	NOTE	(BEFORE 06/03/13)		EA	
Not Shown	042678-024	COVER, OS, LH AR	1	EA	
Not Shown	NOTE	(BETWEEN 06/03/13 - 02/15/16)		EA	
6	005505-025	SIDE PANEL, LH ASSY, PAINTED RR	1	EA	
Not Shown	NOTE	(BEFORE 06/03/13)		EA	
Not Shown	042678-025	COVER, OS, LH RR	1	EA	
Not Shown	NOTE	(BETWEEN 06/03/13 - 02/15/16)		EA	
6	005505-026	SIDE PANEL, LH ASSY, PAINTED PM	1	EA	
Not Shown	NOTE	(BEFORE 06/03/13)		EA	
Not Shown	042678-026	COVER, OS, LH PM	1	EA	
Not Shown	NOTE	(BETWEEN 06/03/13 - 02/15/16)		EA	
6	005505-027	SIDE PANEL, LH ASSY, PAINTED MS	1	EA	
Not Shown	NOTE	(BEFORE 06/03/13)		EA	
Not Shown	042678-027	COVER, OS, LH MS	1	EA	
Not Shown	NOTE	(BETWEEN 06/03/13 - 02/15/16)		EA	
7	006199-000	SPACER, BOT, 30", GSC	1	EA	
8	003801-000	SHOULDER SCREW, #10	2	EA	
9	020404-000	FLAT PANEL	1	EA	
10	002905-000	SIDE PANEL, RH, SST	1	EA	
Not Shown	NOTE	(BEFORE 04/29/13)		EA	
10	042666-000	COVER, OS, RH	1	EA	
Not Shown	NOTE	(BETWEEN 04/29/13 - 02/15/16)		EA	
10	056873-000	PANEL, SIDE, RH	1	EA	
Not Shown	NOTE	(ON OR AFTER 02/15/16)		EA	



Item	Part No.	Name	Qty	Uom	NOTES
10	004645-002	SIDE PANEL, RH ASSY, PAINTED BK	1	EA	
Not Shown	NOTE	(BEFORE 06/03/13)		EA	
10	042679-002	COVER, OS, RH BK	1	EA	
Not Shown	NOTE	(BETWEEN 06/03/13 - 02/15/16)		EA	
10	004645-003	SIDE PANEL, RH ASSY, PAINTED BT	1	EA	
Not Shown	NOTE	(BEFORE 06/03/13)		EA	
10	042679-003	COVER, OS, RH BT	1	EA	
Not Shown	NOTE	(BETWEEN 06/03/13 - 02/15/16)		EA	
10	004645-004	SIDE PANEL, RH ASSY, PAINTED SG	1	EA	
Not Shown	NOTE	(BEFORE 06/03/13)		EA	
10	042679-004	COVER, OS, RH SG	1	EA	
Not Shown	NOTE	(BETWEEN 06/03/13 - 02/15/16)		EA	
10	004645-005	SIDE PANEL, RH ASSY, PAINTED GG	1	EA	
Not Shown	NOTE	(BEFORE 06/03/13)		EA	
10	042679-005	COVER, OS, RH GG	1	EA	
Not Shown	NOTE	(BETWEEN 06/03/13 - 02/15/16)		EA	
10	004645-006	SIDE PANEL, RH ASSY, PAINTED WH	1	EA	
Not Shown	NOTE	(BEFORE 06/03/13)		EA	
10	042679-006	COVER, OS, RH WH	1	EA	
Not Shown	NOTE	(BETWEEN 06/03/13 - 02/15/16)		EA	
10	004645-008	SIDE PANEL, RH ASSY, PAINTED BU	1	EA	
Not Shown	NOTE	(BEFORE 06/03/13)		EA	
10	042679-008	COVER, OS, RH BU	1	EA	
Not Shown	NOTE	(BETWEEN 06/03/13 - 02/15/16)		EA	



Item	Part No.	Name	Qty	Uom	NOTES
10	004645-009	SIDE PANEL, RH ASSY, PAINTED LE	1	EA	
Not Shown	NOTE	(BEFORE 06/03/13)		EA	
10	042679-009	COVER, OS, RH LE	1	EA	
Not Shown	NOTE	(BETWEEN 06/03/13 - 02/15/16)		EA	
10	004645-010	SIDE PANEL, RH ASSY, PAINTED MJ	1	EA	
Not Shown	NOTE	(BEFORE 06/03/13)		EA	
10	042679-010	COVER, OS, RH MJ	1	EA	
Not Shown	NOTE	(BETWEEN 06/03/13 - 02/15/16)		EA	
10	004645-012	SIDE PANEL, RH ASSY, PAINTED VB	1	EA	
Not Shown	NOTE	(BEFORE 06/03/13)		EA	
10	042679-012	COVER, OS, RH VB	1	EA	
Not Shown	NOTE	(BETWEEN 06/03/13 - 02/15/16)		EA	
10	004645-013	SIDE PANEL, RH ASSY, PAINTED CB	1	EA	
Not Shown	NOTE	(BEFORE 06/03/13)		EA	
10	042679-013	COVER, OS, RH CB	1	EA	
Not Shown	NOTE	(BETWEEN 06/03/13 - 02/15/16)		EA	
10	004645-015	SIDE PANEL, RH ASSY, PAINTED PL	1	EA	
Not Shown	NOTE	(BEFORE 06/03/13)		EA	
10	042679-015	COVER, OS, RH PL	1	EA	
Not Shown	NOTE	(BETWEEN 06/03/13 - 02/15/16)		EA	
10	004645-016	SIDE PANEL, RH ASSY, PAINTED CH	1	EA	
Not Shown	NOTE	(BEFORE 06/03/13)		EA	
10	042679-016	COVER, OS, RH CH	1	EA	
Not Shown	NOTE	(BETWEEN 06/03/13 - 02/15/16)		EA	



Item	Part No.	Name	Qty	Uom	NOTES
10	004645-017	SIDE PANEL, RH ASSY, PAINTED TP	1	EA	
Not Shown	NOTE	(BEFORE 06/03/13)		EA	
10	042679-017	COVER, OS, RH TP	1	EA	
Not Shown	NOTE	(BETWEEN 06/03/13 - 02/15/16)		EA	
10	004645-018	SIDE PANEL, RH ASSY, PAINTED CW	1	EA	
Not Shown	NOTE	(BEFORE 06/03/13)		EA	
10	042679-018	COVER, OS, RH CW	1	EA	
Not Shown	NOTE	(BETWEEN 06/03/13 - 02/15/16)		EA	
10	004645-019	SIDE PANEL, RH ASSY, PAINTED OG	1	EA	
Not Shown	NOTE	(BEFORE 06/03/13)		EA	
10	042679-019	COVER, OS, RH OG	1	EA	
Not Shown	NOTE	(BETWEEN 06/03/13 - 02/15/16)		EA	
10	004645-020	SIDE PANEL, RH ASSY, PAINTED GM	1	EA	
Not Shown	NOTE	(BEFORE 06/03/13)		EA	
10	042679-020	COVER, OS, RH GM	1	EA	
Not Shown	NOTE	(BETWEEN 06/03/13 - 02/15/16)		EA	
10	004645-021	SIDE PANEL, RH ASSY, PAINTED SA	1	EA	
Not Shown	NOTE	(BEFORE 06/03/13)		EA	
10	042679-021	COVER, OS, RH SA	1	EA	
Not Shown	NOTE	(BETWEEN 06/03/13 - 02/15/16)		EA	
10	004645-022	SIDE PANEL, RH ASSY, PAINTED SE	1	EA	
Not Shown	NOTE	(BEFORE 06/03/13)		EA	
10	042679-022	COVER, OS, RH SE	1	EA	
Not Shown	NOTE	(BETWEEN 06/03/13 - 02/15/16)		EA	

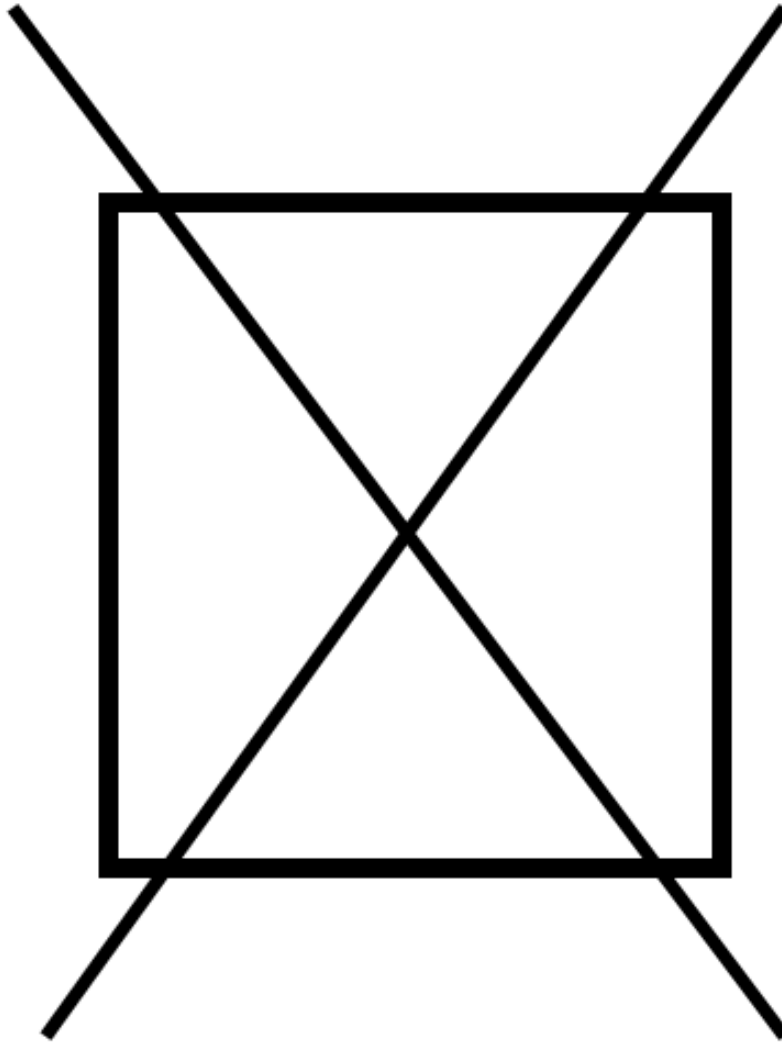


Item	Part No.	Name	Qty	Uom	NOTES
10	004645-023	SIDE PANEL, RH ASSY, PAINTED IB	1	EA	
Not Shown	NOTE	(BEFORE 06/03/13)		EA	
10	042679-023	COVER, OS, RG IB	1	EA	
Not Shown	NOTE	(BETWEEN 06/03/13 - 02/15/16)		EA	
10	004645-024	SIDE PANEL, RH ASSY, PAINTED AR	1	EA	
Not Shown	NOTE	(BEFORE 06/03/13)		EA	
10	042679-024	COVER, OS, RH AR	1	EA	
Not Shown	NOTE	(BETWEEN 06/03/13 - 02/15/16)		EA	
10	004645-025	SIDE PANEL, RH ASSY, PAINTED RR	1	EA	
Not Shown	NOTE	(BEFORE 06/03/13)		EA	
10	042679-025	COVER, OS, RH RR	1	EA	
Not Shown	NOTE	(BETWEEN 06/03/13 - 02/15/16)		EA	
10	004645-026	SIDE PANEL, RH ASSY, PAINTED PM	1	EA	
Not Shown	NOTE	(BEFORE 06/03/13)		EA	
10	042679-026	COVER, OS, RH PM	1	EA	
Not Shown	NOTE	(BETWEEN 06/03/13 - 02/15/16)		EA	
10	004645-027	SIDE PANEL, RH ASSY, PAINTED MS	1	EA	
Not Shown	NOTE	(BEFORE 06/03/13)		EA	
10	042679-027	COVER, OS, RH MS	1	EA	
Not Shown	NOTE	(BETWEEN 06/03/13 - 02/15/16)		EA	
11	PD020046	' #8 X 1/2 SCREWS	8	EA	
NI	PE070207	SUPPLY CORD (EUROPEAN)	1	EA	NO LONGER AVAILABLE, Not available online / Call for pricing and availability
NI	PE050001	TERMINAL BOARD	1	EA	



Item	Part No.	Name	Qty	Uom	NOTES
NI	018201-000	TRANSFO 160VA (AMPL-3N1756)	1	EA	
NI	PJ030038-000	EMC FILTER	1	EA	Not available online / Call for pricing and availability

NON  
ILLUSTRATED PART





Item	Part No.	Name	Qty	Uom	NOTES
NI	025987-000	HARN, VGCC 30	1	EA	
NI	026076-000	HARNESS, 30" VGCC	1	EA	
NI	024605-000	WIRE, BRL, ELECTRODE, ASM	1	EA	
NI	PE070036	NYLON CABLE TIES -7"	2	EA	
NI	007298-000	BAKE IGNITOR WIRE, ASM	1	EA	
NI	PE070207	SUPPLY CORD (EUROPEAN)	1	EA	NO LONGER AVAILABLE, Not available online / Call for pricing and availability
NI	018019-000	CE WIRE HARNESS -2	1	EA	
NI	018018-000	CE WIRE HARNESS -1	1	EA	
NI	018632-000	WIRE, IGNITOR, 38	1	EA	



Appendix A:Pages Index

BROILER AND RACKS ..... 1  
BURNER BOX INTERIOR ..... 2  
BURNER TOP ..... 3  
CONTROL AREA ..... 4  
DOOR ASSY ..... 5  
FAN ASSY ..... 6  
LEG ASSY ..... 7  
OVEN CAVITY ..... 8  
REAR SHEET METAL ..... 9  
UNIT WIRING ..... 10



Appendix B:Parts Index

000042-000	5	004645-015	9
000594-000	5	004645-016	9
001142-000	5	004645-017	9
001142-402	5	004645-018	9
002560-000	5	004645-019	9
002728-000	5	004645-020	9
002740-000	5	004645-021	9
002755-000	2	004645-022	9
002905-000	9	004645-023	9
002907-000	3	004645-024	9
002920-000	3	004645-025	9
002923-000	3	004645-026	9
002925-000	3	004645-027	9
003011-000	5	004684-000	5
003012-000	5	004685-000	5
003226-000	2	004688-000	5, 5
003322-041	3	004691-000	5
003481-000	2	004691-402	5
003588-000	9	004907-000	5
003649-000	3	005047-000	8
003719-000	4	005102-000	8
003801-000	9	005269-000	4
003860-000	2, 7, 9	005280-000	8
004021-000	3	005315-000	2
004464-000	9	005329-000	8
004479-000	8	005372-000	2
004482-000	8	005373-000	8
004625-000	9	005374-000	4
004628-000	2	005475-000	5
004629-000	2	005505-002	9
004645-002	9	005505-003	9
004645-003	9	005505-004	9
004645-004	9	005505-005	9
004645-005	9	005505-006	9
004645-006	9	005505-008	9
004645-008	9	005505-009	9
004645-009	9	005505-010	9
004645-010	9	005505-012	9
004645-012	9	005505-013	9
004645-013	9	005505-015	9
		005505-016	9



005505-017	9	007361-017	7
005505-018	9	007361-018	7
005505-019	9	007361-021	7
005505-020	9	007361-022	7
005505-021	9	007361-023	7
005505-022	9	007361-024	7
005505-023	9	007361-025	7
005505-024	9	007361-026	7
005505-025	9	007361-051	7
005505-026	9	007362-002	5
005505-027	9	007362-005	5
005529-000	8	007362-006	5
005536-000	8	007362-008	5
005537-000	7	007362-013	5
006035-000	2	007362-024	5
006050-000	8	008097-000	5
006114-000	2	009112-000	2
006192-000	9	009331-000	4
006198-000	7	011035-000	2
006199-000	7, 9	013053-000	4
006338-000	2	018018-000	4, 10
006339-000	2	018019-000	4, 10
006355-000	4	018022-000	1
006553-000	5	018031-000	4
007147-000	4	018200-000	3
007259-000	8	018201-000	9
007278-000	8	018605-000	4
007298-000	10	018610-000	2
007323-000	3	018627-000	4
007361-002	7	018631-000	4
007361-003	7	018632-000	10
007361-004	7	020404-000	6, 9
007361-005	7	024605-000	10
007361-006	7	025717-2068	4
007361-008	7	025987-000	10
007361-009	7	026076-000	10
007361-010	7	027009-000	6
007361-012	7	027348-000	2
007361-013	7	030823-000	5
007361-015	7	031105-000	8
007361-016	7	031106-000	8



031679-000	8	042678-018	9
035632-000	5	042678-019	9
035955-000	7	042678-020	9
038426-000	7	042678-021	9
038577-002	7	042678-022	9
038577-003	7	042678-023	9
038577-004	7	042678-024	9
038577-005	7	042678-025	9
038577-006	7	042678-026	9
038577-008	7	042678-027	9
038577-009	7	042679-002	9
038577-010	7	042679-003	9
038577-012	7	042679-004	9
038577-013	7	042679-005	9
038577-015	7	042679-006	9
038577-016	7	042679-008	9
038577-017	7	042679-009	9
038577-018	7	042679-010	9
038577-021	7	042679-012	9
038577-022	7	042679-013	9
038577-023	7	042679-015	9
038577-024	7	042679-016	9
038577-025	7	042679-017	9
038577-026	7	042679-018	9
038577-051	7	042679-019	9
041445-000	9	042679-020	9
042648-000	9	042679-021	9
042666-000	9	042679-022	9
042678-002	9	042679-023	9
042678-003	9	042679-024	9
042678-004	9	042679-025	9
042678-005	9	042679-026	9
042678-006	9	042679-027	9
042678-008	9	042721-507	2
042678-009	9	044178-000	7
042678-010	9	049416-000	3, 3
042678-012	9	049420-000	3
042678-013	9	049426-000	3
042678-015	9	049718-402	8
042678-016	9	050172-000	4
042678-017	9	056034-000	4



056872-000	9	PD020067	1, 4
056873-000	9	PD020068	7
065467-000	1	PD020076	3
065730-000	1	PD030006	5
066197-041	3	PD030010	5
066197-042	3	PD030018	2
066958-000	3	PD040004	4
068456-000	8	PD040005	2
068653-601	1	PD040106	4
074892-000	3	PE010016	5
A1002596	6	PE050001	9
A20012649	2	PE050023	4
A2001361	6	PE050024	4
A20014089	2	PE050057	6
A2004428	6	PE050206	6
A2004429	7	PE050208	2
A2008467	6	PE060030	5, 5
B2002261	1	PE060031	5
B2005589	1	PE060039	5
E91012614	1	PE070036	10
E9107413BK	3	PE070207	9, 10
E9107933	1	PJ030038-000	9
E9107934	1	PJ030039	2
G3001876	1		
G9104482	6		
M0210443	6		
PB020192	3		
PB020193	3		
PB040170	8		
PB040171	1		
PB060030	1		
PB060044	1		
PB070058	2		
PB070079	2		
PB070302	8		
PC030007	7		
PD010012	4		
PD020033	5		
PD020046	9		
PD020048	1, 6, 9		
PD020060	2		