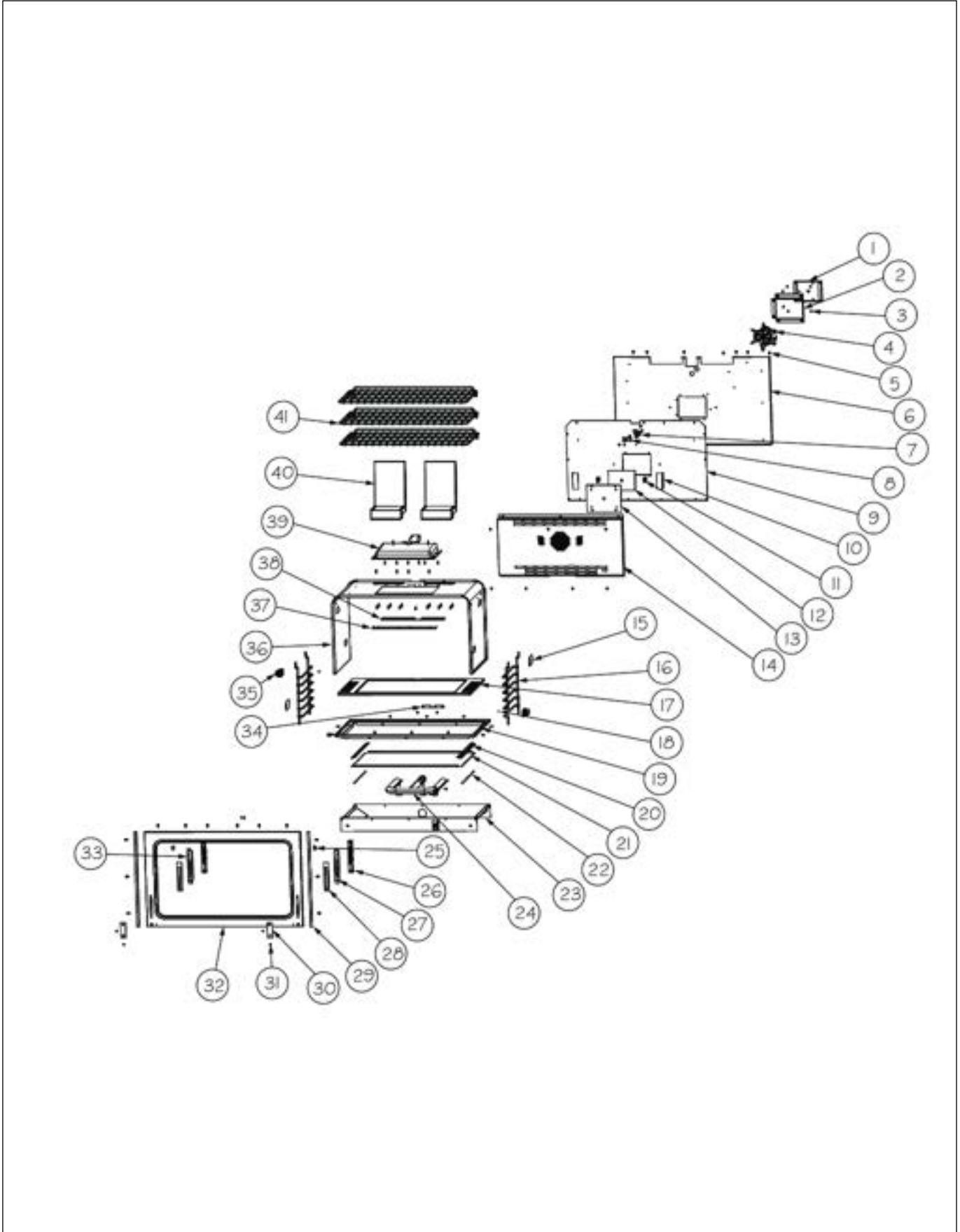


EVGCC536-4Q

CAVITY INTERIOR	1
CONTROL AREA	2
DOOR ASSEMBLY	3
LOWER UNIT AND SIDE PANEL	4
OVEN ELECTRONICS	5
REAR SHEET METAL	6
SURFACE COOKING AREA	7
UNIT WIRING	8
Appendix A:Pages Index	A
Appendix B:Parts Index	B

CAVITY INTERIOR





Item	Part No.	Name	Qty	Uom	NOTES
1	A2002595	CONVECTION FAN BOX (VDSC)	1	EA	
2	A2008467	INSULATION SHIELD	1	EA	
3	PD020060	10 X 1/2" (5/16)HEX WSHER HD.(T)A	52	EA	
4	PE050057	CONVECTION FAN (VGSC306)	1	EA	
4	027009-000	CONVECTION FAN MOTOR	1	EA	
Not Shown	NOTE	AFTER 6/14/12		EA	
5	003860-000	10-18 x .500 FASTNR,SCR,HXWH,STL,ZPLT	19	EA	
6	007841-000	BACK INSULATION PANEL, 36"	1	EA	
7	PB040171	BROIL IGNITION ELECTRODE	1	EA	
8	007008-000	RTD PROBE	1	EA	
9	005263-000	BACK LINER 36"	1	EA	
10	E2004435	CONVECTION FAN BAFFLE (VGSC306)	2	EA	NO LONGER AVAILABLE, Not available online / Call for pricing and availability
11	A2001361	BACK SPACER (VGSC/VGSS)	2	EA	
12	PB070208	CONVECTION FAN INSULATION	1	EA	
13	A1002596	CONVECTION FAN COVER (VDSC)	1	EA	
14	E2005512	CONVECTION FAN COVER	1	EA	Not available online / Call for pricing and availability
15	E91012614	LIGHT HOLE COVER	2	EA	
16	PB060030	RACK SUPT REPL PB060010	2	EA	
17	068458-000	ASM, BOTTOM, CAVITY, OVEN, GAS 36" GRAY	1	EA	
Not Shown	NOTE	(BEFORE 10/07/13)		EA	
17	066210-000	ASM, BOTTOM, CABITY, OVEN, GAS, 36"	1	EA	
Not Shown	NOTE	(ON OR AFTER 10/07/13)		EA	
18	PD020067	#6 X 3/8" PAN PHIL. TEK *SS*	2	EA	
19	005264-000	BOTTOM LINER, 36"	1	EA	

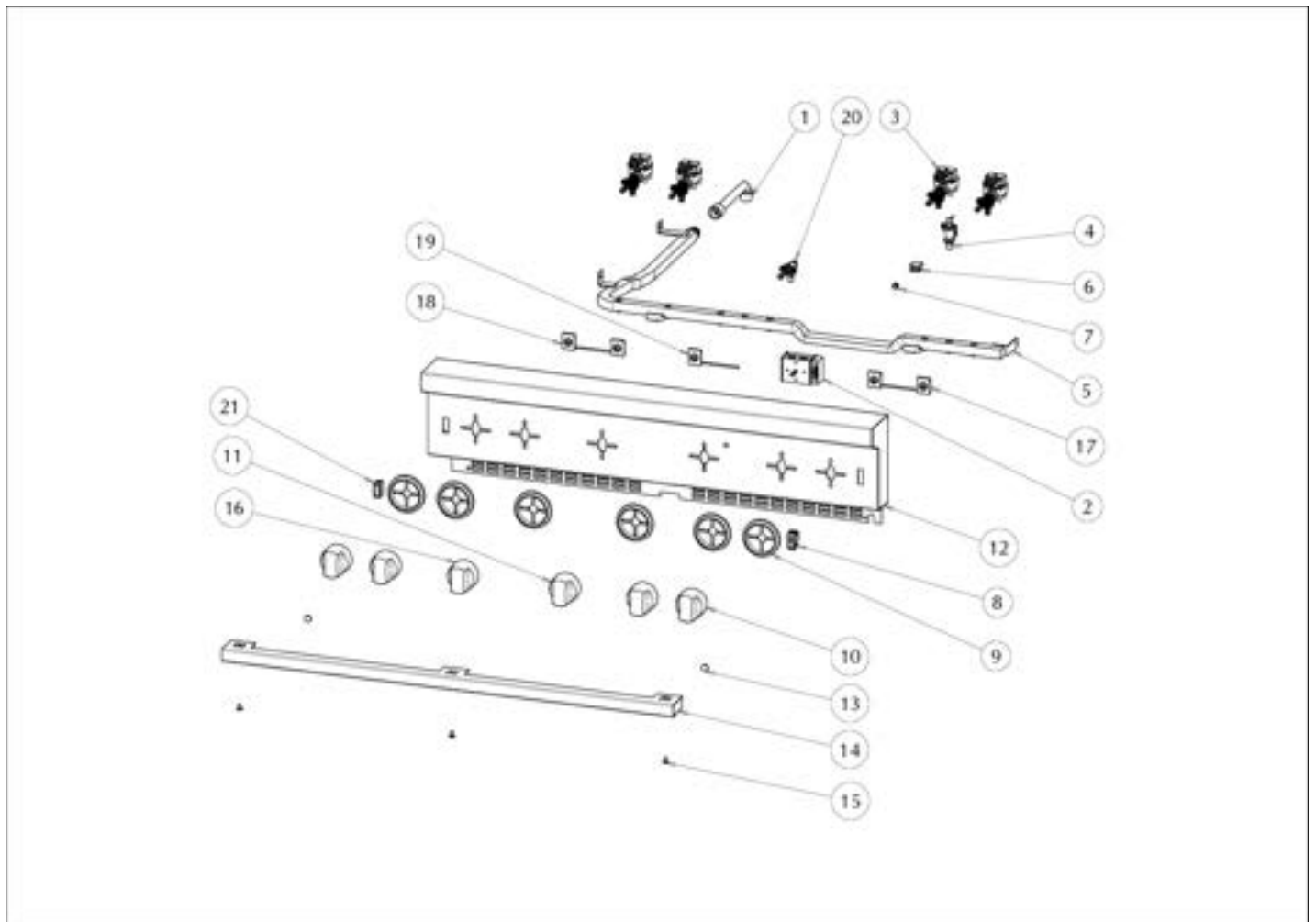


Item	Part No.	Name	Qty	Uom	NOTES
20	E2004433	OVEN BOTTOM BRACE (VGSC306)	2	EA	NOT FIELD REPLACEABLE
21	A2005525	OVEN BOTTOM HEAT SHIELD	1	EA	
Not Shown	NOTE	(COMES WITH ITEM 17)		EA	
22	PD020084	6-32 X 1/4 PAN PHIL TYPE F *SS*	12	EA	
Not Shown	NOTE	(COMES WITH ITEM 17)		EA	
23	005259-000	OVEN, CAVITY, ASM, BOTTOM	1	EA	
24	008191-000	OVEN BURNER ASSY	1	EA	
25	006050-000	BRACKET, FR, FRONT	3	EA	
26	031679-000	RECEPTACLE, HINGE	2	EA	
27	E2109638	BRACKET, HINGE RECPT RH	1	EA	NOT FIELD REPLACEABLE, Not available online / Call for pricing and availability
28	007259-000	SHIM - NLA	2	EA	
29	005536-000	TRIM	2	EA	
30	007278-000	ARM HINGE CLIP	2	EA	
Not Shown	NOTE	(BEFORE 01/02/13)		EA	
30	049718-402	CLIP, RETAINER, HINGE, GLOSS BLACK ENAMEL	2	EA	
Not Shown	NOTE	(AFTER 01/02/13)		EA	
31	PD020232	#8 X 3/4" PH PAN HEAD TEK SCREW (BLACK OXIDE)	2	EA	
32	007844-000	FRONT FRAME, 36"	1	EA	
33	E21012644	BRACKET, HINGE RECPT LH	1	EA	Not available online / Call for pricing and availability
34	A2004428	REAR BOTTOM BRCKT (VGSC306)	1	EA	
35	068653-601	LIGHT, 120V/25W, G9, HALOGEN, SIDE	2	EA	
36	E30014476	36" VGSC OVEN CAVITY	1	EA	Not available online / Call for pricing and availability



Item	Part No.	Name	Qty	Uom	NOTES
37	B2002261	FRONT I/R BROILER SUPPORT	1	EA	
38	B2005589	REAR BROILER BRACKET	1	EA	Not available online / Call for pricing and availability
39	G3001876	IR BURNER ASSY (VGSC/RC) N/S	1	EA	
40	006192-000	VENT, ASM, OVEN ASSEMBLY	2	EA	
41	040865-000	RACK, PRO, 36"	3	EA	
Not Shown	NOTE	(BEFORE 12/20/12)		EA	
41	040865-000	RACK, PRO, 36"	1	EA	
Not Shown	NOTE	(ON OR AFTER 12/20/12)		EA	
NI	057686-000	RACK, GLDE, 36", PRO ASSY	2	EA	
Not Shown	NOTE	(ON OR AFTER 12/20/12)		EA	
NI	E9107933	BROILER PAN	1	EA	
NI	E9107934	BROILER PAN INSERT - NLA	1	EA	
NI	PD030018	PALNUT - 3/4-16	1	EA	
NI	PB040170	BAKE IGNITION ELECTRODE	1	EA	
NI	018022-000	CAPSULE LAMP G9 25W 230V	2	EA	

CONTROL AREA





Item	Part No.	Name	Qty	Uom	NOTES
1	018031-000	GAS TUBE 174MM	1	EA	
NI	018627-000	COUPLING, 1/2" NPT/14 TPI	1	EA	
NI	018631-000	NIPPLE 5"	1	EA	
NI	PD040106	1/2" NPT-BSP ADAPTER	1	EA	
2	056034-000	TSTAT, SMPS, ELEC, 2-POS, .91" SHAFT, CB	1	EA	
3	018605-000	VALVE & SOLENOID ASM	4	EA	
4	007147-000	SHUT OFF VALVE	1	EA	
5	012265-000	MANIFOLD, GAS VGCC/SC536-6B/4Q	1	EA	
6	PE050024	OVEN IND. LIGHT (LIGHT HOUSING)	1	EA	

Comments for Part Num. PE050024

haarnink@vikingrange.com on Jan 14, 2019

please note that the indicator light is now part 043135-000 but needs the Jumper harness 051443-000. and second option there are units in the field with a 230V indicator light part number 036566-000.

please check this for all "E" module ranges/Tops

ksturm@vikingrange.com on Apr 22, 2019

please note that the indicator light is now part 043135-000 but needs the Jumper harness 051443-000. and second option there are units in the field with a 230V indicator light part number 036566-000.

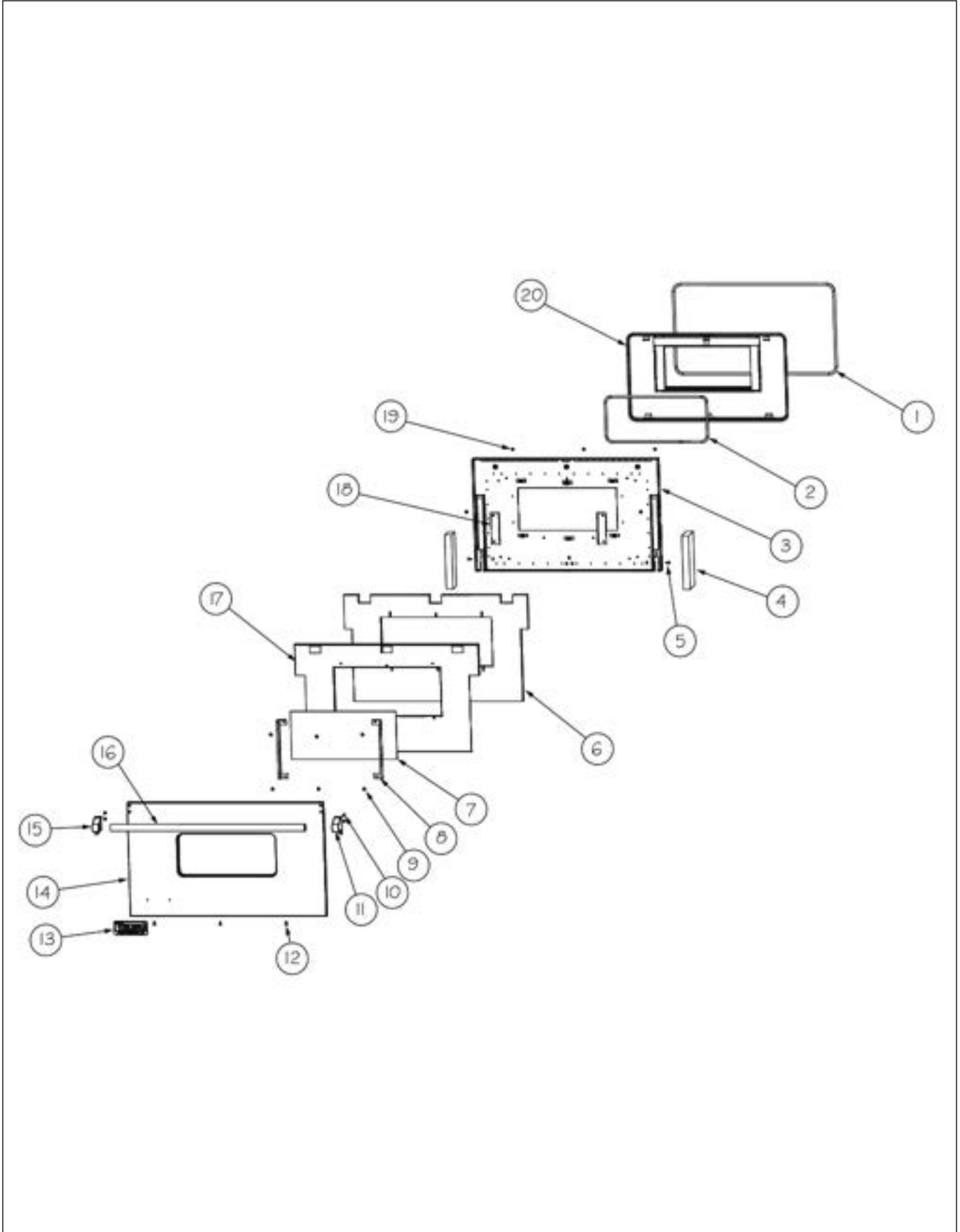
please check this for all "E" module ranges/Tops

7	PE050023	OVEN IND. LIGHT (LENS & BEZEL)	1	EA	NO LONGER AVAILABLE
8	006355-000	SPLASHPROOF ROCKER SWITCH	1	EA	
9	050172-000	BEZEL, KNOB	6	EA	
10	005269-000	RANGE TOP BURNER KNOB-BRUSHED, SSS	4	EA	
11	013053-000	THERMOSTAT KNOB EVGCC *SS*	1	EA	
12	042233-2108	PANEL, CONTROL VGSC536 - 4Q	1	EA	
13	PD040004	GROMMET BUMPER	2	EA	
14	011637-000	TRIM, ASM	1	EA	
15	PD020032	SRW-8(A)X3/8"PH.WFR HD 7/16DIA*NICL	3	EA	



Item	Part No.	Name	Qty	Uom	NOTES
16	006574-000	KNOB, GRL, ASM, PVD, #3, SSS	1	EA	
17	018019-000	CE WIRE HARNESS -2	1	EA	
18	018018-000	CE WIRE HARNESS -1	1	EA	
19	018019-000	CE WIRE HARNESS -2	1	EA	
20	013583-000	VALVE, GRL, ASM, BRS, ISPHORDING	1	EA	
21	003719-000	OVEN LIGHT SWITCH, BLACK	1	EA	
NI	002884-000	MANIFOLD PLUG	2	EA	
NI	PD010012	VALVE BOLT 1/4-20 UNC-2B 5/16" M.S.	8	EA	

DOOR ASSEMBLY





Item	Part No.	Name	Qty	Uom	NOTES
1	000090-000	36" DOOR GASKET	1	EA	
2	000594-000	BLACK FIBERGLASS ROPE 3/8"	1	EA	
3	008154-000	36" DOOR LINER WELD ASM	1	EA	NO LONGER AVAILABLE
4	013290-000	HINGE, DOOR, VGCC36" - PINK SPRING	2	EA	
<p>Comments for Part Num. 013290-000</p> <p>CAREYSAPPLIANCE@HOTMAIL.COM on Feb 15, 2018 in door view hinges are showing 2 different hinges #15) part 002740-000 #17) part 013290-000 these part numbers in middleby do not cross over to each other please correct with the correct part numbers Thanks Dan</p>					
5	PD010003	10-24 X 1/2 PH.TR.HD.SERD.M.S.	2	EA	
6	007854-000	DOOR LINER INSULATION	1	EA	
7	PE060030	GLASS-OUTER DOOR BK SCREENED, TEMP	1	EA	
8	007583-000	BRACKET, GLASS	1	EA	
9	PD020014	10X3/4 PH TR HD SMS	6	EA	
10	030823-000	#10-32 PAN HEAD PHILLIPS MACHINE SCREW	4	EA	
11	003012-000	DOOR HANDLE ENDCAP ASSY, RH (CHROME)	1	EA	
11	003012-100	DOOR HANDLE ENDCAP ASSY, RH (BRASS) - NLA	1	EA	
<p>Comments for Part Num. 003012-100</p> <p>parts@lvdistributes.com on Apr 23, 2018 number 16 brass end cap should be number 15</p>					
12	PD020033	SRW-#10-24X1/2"T(23)PH.WFR HD (NKL)	3	EA	
13	PE010030	LOGO 6" (VGRC) *BK*	1	EA	
13	PE010068	6" LOGO (VIKING/PROF) BK/BR	1	EA	
14	074321-000	PANEL, DOOR, ASM, OTR - SS		EA	
14	074329-002	PANEL, DOOR, ASM, OTR - BK	1	EA	
14	074329-005	PANEL, DOOR, ASM, OTR - GG	1	EA	

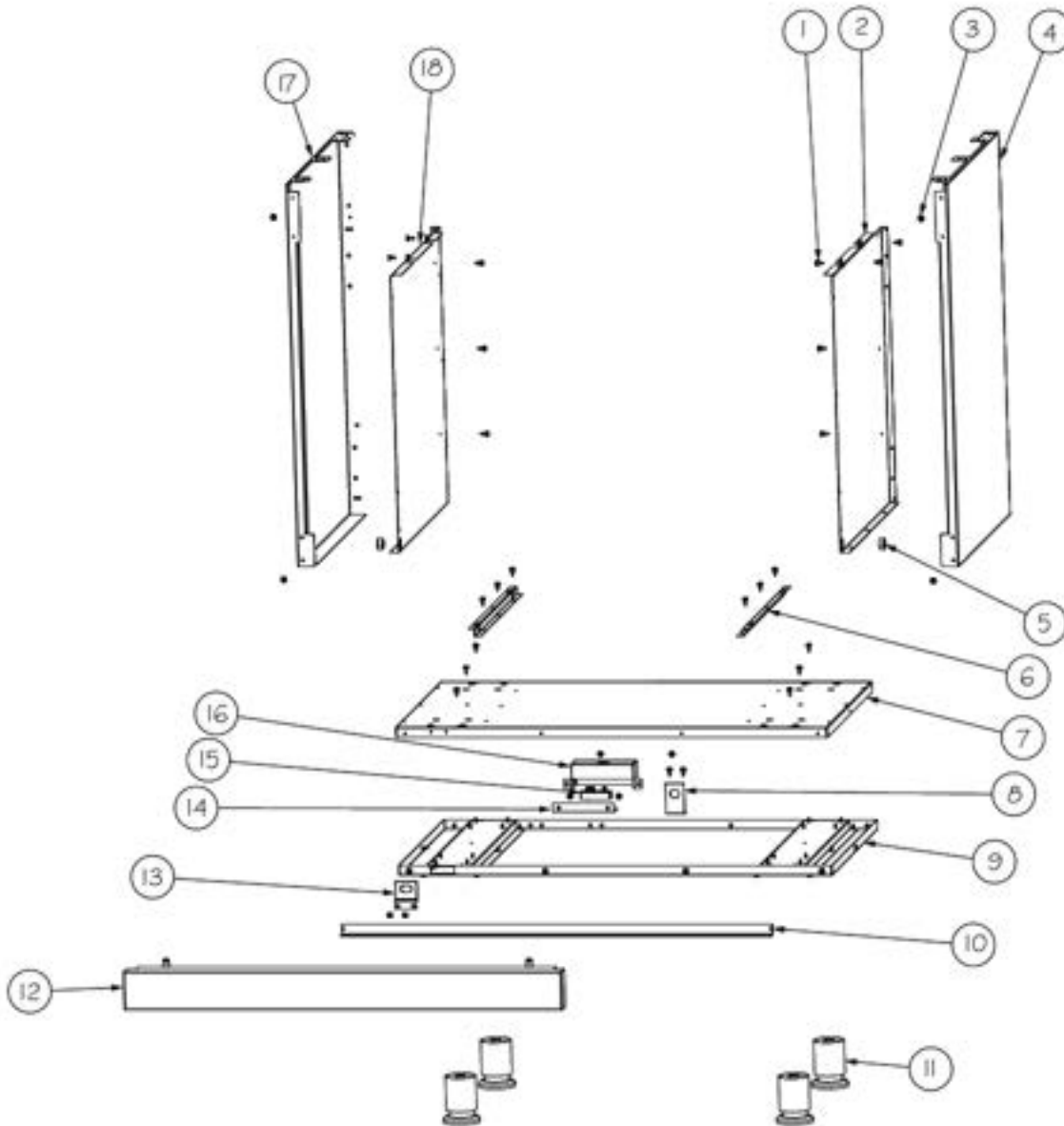


Item	Part No.	Name	Qty	Uom	NOTES
14	074329-006	PANEL, DOOR, ASM, OTR - WH	1	EA	
14	074329-008	PANEL, DOOR, ASM, OTR - BU	1	EA	
14	074329-013	PANEL, DOOR, ASM, OTR - CB	1	EA	
14	074329-024	PANEL, DOOR, ASM, OTR - AR	1	EA	
15	003011-000	DOOR HANDLE ENDCAP ASSY, LH (CHROME)	1	EA	
15	003011-100	DOOR HANDLE ENDCAP ASSY, LH (BRASS)	1	EA	
16	006080-000	36" DOOR HANDLE, 35.5	1	EA	
17	007883-000	RETAINER LINER, 36"	1	EA	
18	A2002189	DOOR GLASS STANDOFF (VDSC)	2	EA	
19	PD020063	SCREW-#8(A) X 3/8"PH WFR HD/BK OXID	4	EA	
20	008185-000	36" DOOR PLUG ASM	1	EA	
NI	011524-002	COMPLETE DOOR ASM - BK	1	EA	Not available online / Call for pricing and availability
NI	011524-003	COMPLETE DOOR ASM - BT	1	EA	
NI	011524-004	COMPLETE DOOR ASM - SG	1	EA	
NI	011524-005	COMPLETE DOOR ASM - GG	1	EA	
NI	011524-006	COMPLETE DOOR ASM - WH	1	EA	
NI	011524-008	COMPLETE DOOR ASM - BU	1	EA	
NI	011524-009	COMPLETE DOOR ASM - LE	1	EA	
NI	011524-010	COMPLETE DOOR ASM - MJ	1	EA	
NI	011524-012	COMPLETE DOOR ASM - VB	1	EA	
NI	011524-013	COMPLETE DOOR ASM - CB	1	EA	
NI	011524-015	COMPLETE DOOR ASM - PL	1	EA	
NI	011524-016	COMPLETE DOOR ASM - CH	1	EA	
NI	011524-017	COMPLETE DOOR ASM - TP	1	EA	
NI	011524-018	COMPLETE DOOR ASM - CW NLA	1	EA	
NI	011524-021	COMPLETE DOOR ASM - SA	1	EA	Not available online / Call for pricing and availability
NI	011524-022	COMPLETE DOOR ASM - SE	1	EA	



Item	Part No.	Name	Qty	Uom	NOTES
NI	011524-023	COMPLETE DOOR ASM - IB	1	EA	
NI	011524-024	COMPLETE DOOR ASM - AR	1	EA	
NI	011524-025	COMPLETE DOOR ASM - RR	1	EA	
NI	008164-000	VGCC DOOR ASSY, 36"	1	EA	NO LONGER AVAILABLE
NI	008164-100	DOOR ASSY, 36" SS/BR - NLA	1	EA	
NI	011524-102	DOOR ASSY, BK/BR	1	EA	
NI	011524-103	DOOR ASSY, BT/BR	1	EA	
NI	011524-104	DOOR ASSY, SG/BR	1	EA	
NI	011524-105	DOOR ASSY, GG/BR	1	EA	
NI	011524-106	DOOR ASSY, WH/BR	1	EA	
NI	011524-108	DOOR ASSY, BU/BR	1	EA	
NI	011524-109	DOOR ASSY, LE/BR	1	EA	
NI	011524-110	DOOR ASSY, MJ/BR	1	EA	
NI	011524-112	DOOR ASSY, VB/BR	1	EA	
NI	011524-113	DOOR ASSY, CB/BR	1	EA	
NI	011524-115	DOOR ASSY, PL/BR	1	EA	
NI	011524-116	DOOR ASSY, CH/BR	1	EA	
NI	011524-117	DOOR ASSY, TP/BR	1	EA	
NI	011524-118	DOOR ASSY, CW/BR	1	EA	
NI	011524-121	DOOR ASSY, SA/BR	1	EA	
NI	011524-122	DOOR ASSY, SE/BR	1	EA	
NI	011524-123	DOOR ASSY, IB/BR	1	EA	
NI	011524-124	DOOR ASSY, AR/BR	1	EA	
NI	011524-125	DOOR ASSY, RR/BR	1	EA	
NI	PD03006	CAPPED WASHER PAL NUT	2	EA	Not available online / Call for pricing and availability
NI	004907-000	STEEL FINISHING PLUG, NICKEL PLTD 25/64" HOLE	4	EA	

LOWER UNIT AND SIDE PANEL





Item	Part No.	Name	Qty	Uom	NOTES
1	003860-000	10-18 x .500 FASTNR,SCR,HXWH,STL,ZPLT	29	EA	
2	004479-000	INSULATION, PNL, SIDE, RH	1	EA	
3	003801-000	SHOULDER SCREW, #10	4	EA	
4	002905-000	SIDE PANEL, RH, SST	1	EA	
Not Shown	NOTE	(BEFORE 04/29/13)		EA	
4	042666-000	COVER, OS, RH	1	EA	
Not Shown	NOTE	(BETWEEN 04/29/13 - 02/15/16)		EA	
4	056873-000	PANEL, SIDE, RH	1	EA	
Not Shown	NOTE	(ON OR AFTER 02/15/16)		EA	
4	004645-002	SIDE PANEL, RH ASSY, PAINTED BK	1	EA	
Not Shown	NOTE	(BEFORE 06/03/13)		EA	
4	042679-002	COVER, OS, RH BK	1	EA	
Not Shown	NOTE	(BETWEEN 06/03/13 - 02/15/16)		EA	
4	004645-003	SIDE PANEL, RH ASSY, PAINTED BT	1	EA	
Not Shown	NOTE	(BEFORE 06/03/13)		EA	
4	042679-003	COVER, OS, RH BT	1	EA	
Not Shown	NOTE	(BETWEEN 06/03/13 - 02/15/16)		EA	
4	004645-004	SIDE PANEL, RH ASSY, PAINTED SG	1	EA	
Not Shown	NOTE	(BEFORE 06/03/13)		EA	
4	042679-004	COVER, OS, RH SG	1	EA	
Not Shown	NOTE	(BETWEEN 06/03/13 - 02/15/16)		EA	
4	004645-005	SIDE PANEL, RH ASSY, PAINTED GG	1	EA	
Not Shown	NOTE	(BEFORE 06/03/13)		EA	
4	042679-005	COVER, OS, RH GG	1	EA	
Not Shown	NOTE	(BETWEEN 06/03/13 - 02/15/16)		EA	



Item	Part No.	Name	Qty	Uom	NOTES
4	004645-006	SIDE PANEL, RH ASSY, PAINTED WH	1	EA	
Not Shown	NOTE	(BEFORE 06/03/13)		EA	
4	042679-006	COVER, OS, RH WH	1	EA	
Not Shown	NOTE	(BETWEEN 06/03/13 - 02/15/16)		EA	
4	004645-008	SIDE PANEL, RH ASSY, PAINTED BU	1	EA	
Not Shown	NOTE	(BEFORE 06/03/13)		EA	
4	042679-008	COVER, OS, RH BU	1	EA	
Not Shown	NOTE	(BETWEEN 06/03/13 - 02/15/16)		EA	
4	004645-009	SIDE PANEL, RH ASSY, PAINTED LE	1	EA	
Not Shown	NOTE	(BEFORE 06/03/13)		EA	
4	042679-009	COVER, OS, RH LE	1	EA	
Not Shown	NOTE	(BETWEEN 06/03/13 - 02/15/16)		EA	
4	004645-010	SIDE PANEL, RH ASSY, PAINTED MJ	1	EA	
Not Shown	NOTE	(BEFORE 06/03/13)		EA	
4	042679-010	COVER, OS, RH MJ	1	EA	
Not Shown	NOTE	(BETWEEN 06/03/13 - 02/15/16)		EA	
4	004645-012	SIDE PANEL, RH ASSY, PAINTED VB	1	EA	
Not Shown	NOTE	(BEFORE 06/03/13)		EA	
4	042679-012	COVER, OS, RH VB	1	EA	
Not Shown	NOTE	(BETWEEN 06/03/13 - 02/15/16)		EA	
4	004645-013	SIDE PANEL, RH ASSY, PAINTED CB	1	EA	
Not Shown	NOTE	(BEFORE 06/03/13)		EA	
4	042679-013	COVER, OS, RH CB	1	EA	
Not Shown	NOTE	(BETWEEN 06/03/13 - 02/15/16)		EA	



Item	Part No.	Name	Qty	Uom	NOTES
4	004645-015	SIDE PANEL, RH ASSY, PAINTED PL	1	EA	
Not Shown	NOTE	(BEFORE 06/03/13)		EA	
4	042679-015	COVER, OS, RH PL	1	EA	
Not Shown	NOTE	(BETWEEN 06/03/13 - 02/15/16)		EA	
4	004645-016	SIDE PANEL, RH ASSY, PAINTED CH	1	EA	
Not Shown	NOTE	(BEFORE 06/03/13)		EA	
4	042679-016	COVER, OS, RH CH	1	EA	
Not Shown	NOTE	(BETWEEN 06/03/13 - 02/15/16)		EA	
4	004645-017	SIDE PANEL, RH ASSY, PAINTED TP	1	EA	
Not Shown	NOTE	(BEFORE 06/03/13)		EA	
4	042679-017	COVER, OS, RH TP	1	EA	
Not Shown	NOTE	(BETWEEN 06/03/13 - 02/15/16)		EA	
4	004645-018	SIDE PANEL, RH ASSY, PAINTED CW	1	EA	
Not Shown	NOTE	(BEFORE 06/03/13)		EA	
4	042679-017	COVER, OS, RH TP	1	EA	
Not Shown	NOTE	(BETWEEN 06/03/13 - 02/15/16)		EA	
4	004645-019	SIDE PANEL, RH ASSY, PAINTED OG	1	EA	
Not Shown	NOTE	(BEFORE 06/03/13)		EA	
4	042679-019	COVER, OS, RH OG	1	EA	
Not Shown	NOTE	(BETWEEN 06/03/13 - 02/15/16)		EA	
4	004645-020	SIDE PANEL, RH ASSY, PAINTED GM	1	EA	
Not Shown	NOTE	(BEFORE 06/03/13)		EA	
4	042679-020	COVER, OS, RH GM	1	EA	
Not Shown	NOTE	(BETWEEN 06/03/13 - 02/15/16)		EA	



Item	Part No.	Name	Qty	Uom	NOTES
4	004645-021	SIDE PANEL, RH ASSY, PAINTED SA	1	EA	
Not Shown	NOTE	(BEFORE 06/03/13)		EA	
4	042679-021	COVER, OS, RH SA	1	EA	
Not Shown	NOTE	(BETWEEN 06/03/13 - 02/15/16)		EA	
4	004645-022	SIDE PANEL, RH ASSY, PAINTED SE	1	EA	
Not Shown	NOTE	(BEFORE 06/03/13)		EA	
4	042679-022	COVER, OS, RH SE	1	EA	
Not Shown	NOTE	(BETWEEN 06/03/13 - 02/15/16)		EA	
4	004645-023	SIDE PANEL, RH ASSY, PAINTED IB	1	EA	
Not Shown	NOTE	(BEFORE 06/03/13)		EA	
4	042679-023	COVER, OS, RG IB	1	EA	
Not Shown	NOTE	(BETWEEN 06/03/13 - 02/15/16)		EA	
4	004645-024	SIDE PANEL, RH ASSY, PAINTED AR	1	EA	
Not Shown	NOTE	(BEFORE 06/03/13)		EA	
4	042679-024	COVER, OS, RH AR	1	EA	
Not Shown	NOTE	(BETWEEN 06/03/13 - 02/15/16)		EA	
4	004645-025	SIDE PANEL, RH ASSY, PAINTED RR	1	EA	
Not Shown	NOTE	(BEFORE 06/03/13)		EA	
4	042679-025	COVER, OS, RH RR	1	EA	
Not Shown	NOTE	(BETWEEN 06/03/13 - 02/15/16)		EA	
4	004645-026	SIDE PANEL, RH ASSY, PAINTED PM	1	EA	
Not Shown	NOTE	(BEFORE 06/03/13)		EA	
4	042679-026	COVER, OS, RH PM	1	EA	
Not Shown	NOTE	(BETWEEN 06/03/13 - 02/15/16)		EA	



Item	Part No.	Name	Qty	Uom	NOTES
4	004645-027	SIDE PANEL, RH ASSY, PAINTED MS	1	EA	
Not Shown	NOTE	(BEFORE 06/03/13)		EA	
4	042679-027	COVER, OS, RH MS	1	EA	
Not Shown	NOTE	(BETWEEN 06/03/13 - 02/15/16)		EA	
5	PD040005	SNAP BUSHING - 7/8"	2	EA	
6	A2004429	OVEN BOTTOM INSUL. BRACE (VGSC306)	2	EA	
7	007816-000	VGCC/SC 536 BASE, UPPER	1	EA	Not available online / Call for pricing and availability
8	005529-000	BAKE ORIFICE MOUNTING BRACKET	1	EA	
9	007817-000	VGCC/SC BASE ASSEMBLY, 36"	1	EA	
10	008345-000	BOTTOM SUPPORT, 36"	1	EA	
11	044178-000	RANGE, LEG, ADJUSTABLE	4	EA	
12	007851-000	VGCC/SC 536 KICKPLATE SS	1	EA	NO LONGER AVAILABLE
Not Shown	NOTE	(BEFORE 06/14/12)		EA	
12	035958-000	KICKPLATE, 36"	1	EA	
Not Shown	NOTE	(FROM 06/14/12 THRU 04/05/13)		EA	
12	042287-000	KICKPLATE, GAS & DUAL FUEL, 36"	1	EA	
Not Shown	NOTE	(ON OR AFTER 04/05/13)		EA	
12	011522-002	VGCC/SC 536 KICKPLATE - BK	1	EA	
Not Shown	NOTE	(BEFORE 04/05/13)		EA	
12	042323-002	KICKPLATE, GAS & DUAL FUEL, 36" BK	1	EA	
Not Shown	NOTE	(ON OR AFTER 04/05/13)		EA	
12	011522-003	VGCC/SC 536 KICKPLATE - BT	1	EA	Not available online / Call for pricing and availability



Item	Part No.	Name	Qty	Uom	NOTES
Not Shown	NOTE	(BEFORE 04/05/13)		EA	
12	042323-003	KICKPLATE 36" BT	1	EA	
Not Shown	NOTE	(ON OR AFTER 04/05/13)		EA	
12	011522-004	VGCC/SC 536 KICKPLATE - SG	1	EA	
Not Shown	NOTE	(BEFORE 04/05/13)		EA	
12	042323-004	KICKPLATE 36 SG	1	EA	Not available online / Call for pricing and availability
Not Shown	NOTE	(ON OR AFTER 04/05/13)		EA	
12	011522-005	VGCC/SC 536 KICKPLATE - GG	1	EA	
Not Shown	NOTE	(BEFORE 04/05/13)		EA	
12	042323-005	KICKPLATE, GAS & DUAL FUEL, 36" GG	1	EA	
Not Shown	NOTE	(ON OR AFTER 04/05/13)		EA	
12	011522-006	VGCC/SC 536 KICKPLATE - WH	1	EA	
Not Shown	NOTE	(BEFORE 04/05/13)		EA	
12	042323-006	KICKPLATE, GAS & DUAL FUEL, 36" WH	1	EA	
Not Shown	NOTE	(ON OR AFTER 04/05/13)		EA	
12	011522-008	VGCC/SC 536 KICKPLATE - BU	1	EA	
Not Shown	NOTE	(BEFORE 04/05/13)		EA	
12	042323-008	KICKPLATE, GAS & DUAL FUEL, 36" BU	1	EA	
Not Shown	NOTE	(ON OR AFTER 04/05/13)		EA	
12	011522-009	VGCC/SC 536 KICKPLATE - LE	1	EA	
Not Shown	NOTE	(BEFORE 04/05/13)		EA	
12	042323-009	KICKPLATE 36" LE	1	EA	
Not Shown	NOTE	(ON OR AFTER 04/05/13)		EA	
12	011522-010	VGCC/SC 536 KICKPLATE -MJ	1	EA	



Item	Part No.	Name	Qty	Uom	NOTES
Not Shown	NOTE	(BEFORE 04/05/13)		EA	
12	042323-010	KICKPLATE 36" MJ	1	EA	
Not Shown	NOTE	(ON OR AFTER 04/05/13)		EA	
12	011522-012	VGCC/SC 536 KICKPLATE - VB	1	EA	Not available online / Call for pricing and availability
Not Shown	NOTE	(BEFORE 04/05/13)		EA	
12	042323-012	KICKPLATE 36 VB	1	EA	Not available online / Call for pricing and availability
Not Shown	NOTE	(ON OR AFTER 04/05/13)		EA	
12	011522-013	VGCC/SC 536 KICKPLATE - CB	1	EA	
Not Shown	NOTE	(BEFORE 04/05/13)		EA	
12	042323-012	KICKPLATE 36 VB	1	EA	Not available online / Call for pricing and availability
Not Shown	NOTE	(ON OR AFTER 04/05/13)		EA	
12	011522-015	VGCC/SC 536 KICKPLATE - PL	1	EA	
Not Shown	NOTE	(BEFORE 04/05/13)		EA	
12	042323-015	KICKPLATE 36" PL	1	EA	
Not Shown	NOTE	(ON OR AFTER 04/05/13)		EA	
12	011522-016	VGCC/SC 536 KICKPLATE - CH	1	EA	
Not Shown	NOTE	(BEFORE 04/05/13)		EA	
12	042323-016	KICKPLATE 36" CH	1	EA	
Not Shown	NOTE	(ON OR AFTER 04/05/13)		EA	
12	011522-017	VGCC/SC 536 KICKPLATE - TP	1	EA	
Not Shown	NOTE	(BEFORE 04/05/13)		EA	
12	042323-017	KICKPLATE 36" TP	1	EA	



Item	Part No.	Name	Qty	Uom	NOTES
Not Shown	NOTE	(ON OR AFTER 04/05/13)		EA	
12	011522-018	VGCC/SC 536 KICKPLATE - CW NLA	1	EA	
Not Shown	NOTE	(BEFORE 04/05/13)		EA	
12	042323-018	KICKPLATE 36" CW	1	EA	
Not Shown	NOTE	(ON OR AFTER 04/05/13)		EA	
12	011522-019	VGCC/SC 536 KICKPLATE - OG	1	EA	
Not Shown	NOTE	(BEFORE 04/05/13)		EA	
12	042323-019	KICKPLATE 36" OG	1	EA	
Not Shown	NOTE	(ON OR AFTER 04/05/13)		EA	
12	011522-020	VGCC/SC 536 KICKPLATE - GM	1	EA	
Not Shown	NOTE	(BEFORE 04/05/13)		EA	
12	042323-020	KICKPLATE 36" GM	1	EA	
Not Shown	NOTE	(ON OR AFTER 04/05/13)		EA	
12	011522-021	VGCC/SC 536 KICKPLATE - SA	1	EA	
Not Shown	NOTE	(BEFORE 04/05/13)		EA	
12	042323-021	KICKPLATE 36" SA	1	EA	
Not Shown	NOTE	(ON OR AFTER 04/05/13)		EA	
12	011522-022	VGCC/SC 536 KICKPLATE - SE	1	EA	
Not Shown	NOTE	(BEFORE 04/05/13)		EA	
12	042323-022	KICKPLATE 36" SE	1	EA	
Not Shown	NOTE	(ON OR AFTER 04/05/13)		EA	
12	011522-023	VGCC/SC 536 KICKPLATE - IB	1	EA	
Not Shown	NOTE	(BEFORE 04/05/13)		EA	
12	042323-023	KICKPLATE 36" IB	1	EA	
Not Shown	NOTE	(ON OR AFTER 04/05/13)		EA	
12	011522-024	VGCC/SC 536 KICKPLATE - AR	1	EA	



Item	Part No.	Name	Qty	Uom	NOTES
Not Shown	NOTE	(BEFORE 04/05/13)		EA	
12	042323-024	KICKPLATE, GAS & DUAL FUEL, 36" AR	1	EA	
Not Shown	NOTE	(ON OR AFTER 04/05/13)		EA	
12	011522-025	VGCC/SC 536 KICKPLATE - RR	1	EA	
Not Shown	NOTE	(BEFORE 04/05/13)		EA	
12	042323-025	KICKPLATE 36" RR	1	EA	
Not Shown	NOTE	(ON OR AFTER 04/05/13)		EA	
12	011522-026	VGCC/SC 536 KICKPLATE - PM	1	EA	
Not Shown	NOTE	(BEFORE 04/05/13)		EA	
12	042323-026	KICKPLATE 36" PM	1	EA	
Not Shown	NOTE	(ON OR AFTER 04/05/13)		EA	
12	011522-051	VGCC/SC 536 KICKPLATE-CN	1	EA	
Not Shown	NOTE	(BEFORE 04/05/13)		EA	
12	042323-051	KICKPLATE 36 CN	1	EA	Not available online / Call for pricing and availability
Not Shown	NOTE	(ON OR AFTER 04/05/13)		EA	
12	011522-052	VGCC/SC 536 KICKPLATE-DJ	1	EA	Not available online / Call for pricing and availability
Not Shown	NOTE	(BEFORE 04/05/13)		EA	
12	042323-052	KICKPLATE 36 DJ	1	EA	Not available online / Call for pricing and availability
Not Shown	NOTE	(ON OR AFTER 04/05/13)		EA	
12	011522-053	VGCC/SC 536 KICKPLATE-KB	1	EA	
Not Shown	NOTE	(BEFORE 04/05/13)		EA	
12	042323-053	KICKPLATE 36" KB	1	EA	



Item	Part No.	Name	Qty	Uom	NOTES
Not Shown	NOTE	(ON OR AFTER 04/05/13)		EA	
12	011522-054	VGCC/SC 536 KICKPLATE-WS	1	EA	
Not Shown	NOTE	(BEFORE 04/05/13)		EA	
12	042323-054	KICKPLATE 36 WS	1	EA	Not available online / Call for pricing and availability
Not Shown	NOTE	(ON OR AFTER 04/05/13)		EA	
13	005280-000	DISCONNECT BRKT	1	EA	
14	007484-000	TERMINAL, BLOCK, BRACKET	1	EA	
15	PE050001	TERMINAL BOARD	1	EA	
16	006945-000	COVER, TERM, BLOCK	1	EA	
17	003588-000	SIDE PANEL, LH, SS	1	EA	
Not Shown	NOTE	(BEFORE 04/29/13)		EA	
17	042648-000	COVER, OS, LH	1	EA	
Not Shown	NOTE	(BETWEEN 04/29/13 - 02/15/16)		EA	
17	056872-000	PANEL, SIDE, LH	1	EA	
Not Shown	NOTE	(ON OR AFTER 02/15/16)		EA	
17	005505-002	PANEL, SIDE, DECARB, RH, BK	1	EA	
Not Shown	NOTE	(BEFORE 06/03/13)		EA	
17	042678-002	COVER, OS, LH BK	1	EA	
Not Shown	NOTE	(BETWEEN 06/03/13 - 02/15/16)		EA	
17	005505-003	SIDE PANEL, LH ASSY, PAINTED BT	1	EA	
Not Shown	NOTE	(BEFORE 06/03/13)		EA	
17	042678-003	COVER, OS, LH BT	1	EA	
Not Shown	NOTE	(BETWEEN 06/03/13 - 02/15/16)		EA	
17	005505-004	SIDE PANEL, LH ASSY, PAINTED SG	1	EA	
Not Shown	NOTE	(BEFORE 06/03/13)		EA	



Item	Part No.	Name	Qty	Uom	NOTES
17	042678-004	COVER, OS, LH SG	1	EA	
Not Shown	NOTE	(BETWEEN 06/03/13 - 02/15/16)		EA	
17	005505-005	PANEL, SIDE, DECARB, RH, GG	1	EA	
Not Shown	NOTE	(BEFORE 06/03/13)		EA	
17	042678-005	COVER, OS, LH GG	1	EA	
Not Shown	NOTE	(BETWEEN 06/03/13 - 02/15/16)		EA	
17	005505-006	PANEL, SIDE, DECARB, RH, WH	1	EA	NO LONGER AVAILABLE
Not Shown	NOTE	(BEFORE 06/03/13)		EA	
17	042678-006	COVER, OS, LH WH	1	EA	
Not Shown	NOTE	(BETWEEN 06/03/13 - 02/15/16)		EA	
17	005505-008	PANEL, SIDE, DECARB, RH, BU	1	EA	
Not Shown	NOTE	(BEFORE 06/03/13)		EA	
17	042678-008	COVER, OS, LH BU	1	EA	
Not Shown	NOTE	(BETWEEN 06/03/13 - 02/15/16)		EA	
17	005505-009	SIDE PANEL, LH ASSY, PAINTED LE	1	EA	
Not Shown	NOTE	(BEFORE 06/03/13)		EA	
17	042678-009	COVER, OS, LH LE	1	EA	
Not Shown	NOTE	(BETWEEN 06/03/13 - 02/15/16)		EA	
17	005505-010	SIDE PANEL, LH ASSY, PAINTED MJ	1	EA	
Not Shown	NOTE	(BEFORE 06/03/13)		EA	
17	042678-010	COVER, OS, LH MJ	1	EA	
Not Shown	NOTE	(BETWEEN 06/03/13 - 02/15/16)		EA	
17	005505-012	SIDE PANEL, LH ASSY, PAINTED VB	1	EA	
Not Shown	NOTE	(BEFORE 06/03/13)		EA	
17	042678-012	COVER, OS, LH VB	1	EA	



Item	Part No.	Name	Qty	Uom	NOTES
Not Shown	NOTE	(BETWEEN 06/03/13 - 02/15/16)		EA	
17	005505-013	PANEL, SIDE, DECARB, RH, CB	1	EA	
Not Shown	NOTE	(BEFORE 06/03/13)		EA	
17	042678-013	COVER, OS, LH EP	1	EA	
Not Shown	NOTE	(BETWEEN 06/03/13 - 02/15/16)		EA	
17	005505-015	SIDE PANEL, LH ASSY, PAINTED PL	1	EA	
Not Shown	NOTE	(BEFORE 06/03/13)		EA	
17	042678-015	COVER, OS, LH PL	1	EA	
Not Shown	NOTE	(BETWEEN 06/03/13 - 02/15/16)		EA	
17	005505-016	SIDE PANEL, LH ASSY, PAINTED CH	1	EA	
Not Shown	NOTE	(BEFORE 06/03/13)		EA	
17	042678-016	COVER, OS, LH CH	1	EA	
Not Shown	NOTE	(BETWEEN 06/03/13 - 02/15/16)		EA	
17	005505-017	SIDE PANEL, LH ASSY, PAINTED TP	1	EA	
Not Shown	NOTE	(BEFORE 06/03/13)		EA	
17	042678-017	COVER, OS, LH TP	1	EA	
Not Shown	NOTE	(BETWEEN 06/03/13 - 02/15/16)		EA	
17	005505-018	SIDE PANEL, LH ASSY, PAINTED CW	1	EA	
Not Shown	NOTE	(BEFORE 06/03/13)		EA	
17	042678-018	COVER, OS, LH CW	1	EA	
Not Shown	NOTE	(BETWEEN 06/03/13 - 02/15/16)		EA	
17	005505-019	SIDE PANEL, LH ASSY, PAINTED OG	1	EA	
Not Shown	NOTE	(BEFORE 06/03/13)		EA	
17	042678-019	COVER, OS, LH OG	1	EA	

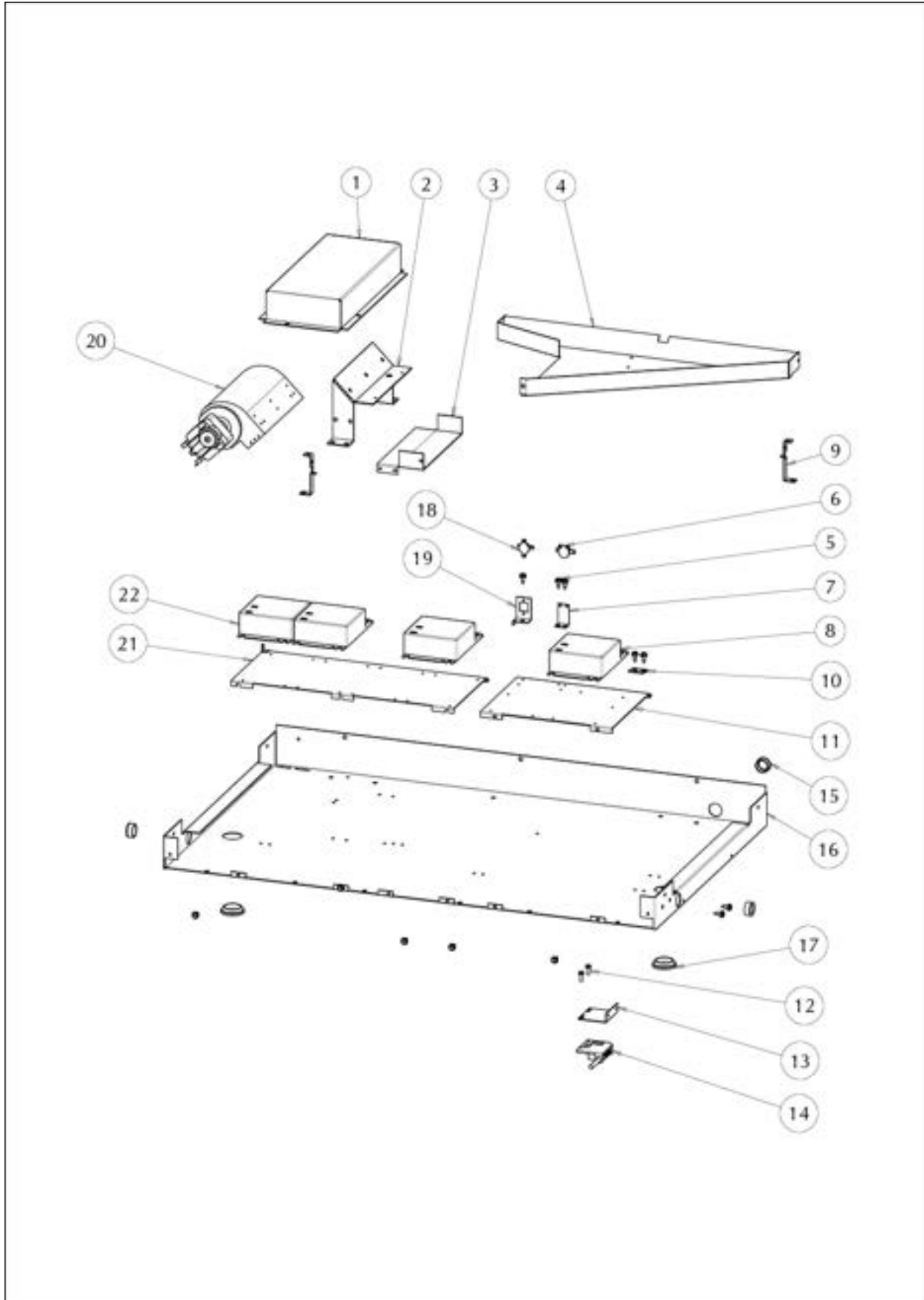


Item	Part No.	Name	Qty	Uom	NOTES
Not Shown	NOTE	(BETWEEN 06/03/13 - 02/15/16)		EA	
17	005505-020	SIDE PANEL, LH ASSY, PAINTED GM	1	EA	
Not Shown	NOTE	(BEFORE 06/03/13)		EA	
17	042678-020	COVER, OS, LH GM	1	EA	
Not Shown	NOTE	(BETWEEN 06/03/13 - 02/15/16)		EA	
17	005505-021	SIDE PANEL, LH ASSY, PAINTED SA	1	EA	
Not Shown	NOTE	(BEFORE 06/03/13)		EA	
17	042678-021	COVER, OS, LH SA	1	EA	
Not Shown	NOTE	(BETWEEN 06/03/13 - 02/15/16)		EA	
17	005505-022	SIDE PANEL, LH ASSY, PAINTED SE	1	EA	
Not Shown	NOTE	(BEFORE 06/03/13)		EA	
17	042678-022	COVER, OS, LH SE	1	EA	
Not Shown	NOTE	(BETWEEN 06/03/13 - 02/15/16)		EA	
17	005505-023	SIDE PANEL, LH ASSY, PAINTED IB	1	EA	
Not Shown	NOTE	(BEFORE 06/03/13)		EA	
17	042678-023	COVER, OS, LH IB	1	EA	
Not Shown	NOTE	(BETWEEN 06/03/13 - 02/15/16)		EA	
17	005505-024	PANEL, SIDE, DECARB, RH, AR	1	EA	
Not Shown	NOTE	(BEFORE 06/03/13)		EA	
17	042678-024	COVER, OS, LH AR	1	EA	
Not Shown	NOTE	(BETWEEN 06/03/13 - 02/15/16)		EA	
17	005505-025	SIDE PANEL, LH ASSY, PAINTED RR	1	EA	
Not Shown	NOTE	(BEFORE 06/03/13)		EA	
17	042678-025	COVER, OS, LH RR	1	EA	



Item	Part No.	Name	Qty	Uom	NOTES
Not Shown	NOTE	(BETWEEN 06/03/13 - 02/15/16)		EA	
17	005505-026	SIDE PANEL, LH ASSY, PAINTED PM	1	EA	
Not Shown	NOTE	(BEFORE 06/03/13)		EA	
17	042678-026	COVER, OS, LH PM	1	EA	
Not Shown	NOTE	(BETWEEN 06/03/13 - 02/15/16)		EA	
17	005505-027	SIDE PANEL, LH ASSY, PAINTED MS	1	EA	
Not Shown	NOTE	(BEFORE 06/03/13)		EA	
17	042678-027	COVER, OS, LH MS	1	EA	
Not Shown	NOTE	(BETWEEN 06/03/13 - 02/15/16)		EA	
18	004482-000	INSULATION, PNL, SIDE, LH	1	EA	
NI	PE070207	SUPPLY CORD (EUROPEAN)	1	EA	NO LONGER AVAILABLE, Not available online / Call for pricing and availability

OVEN ELECTRONICS



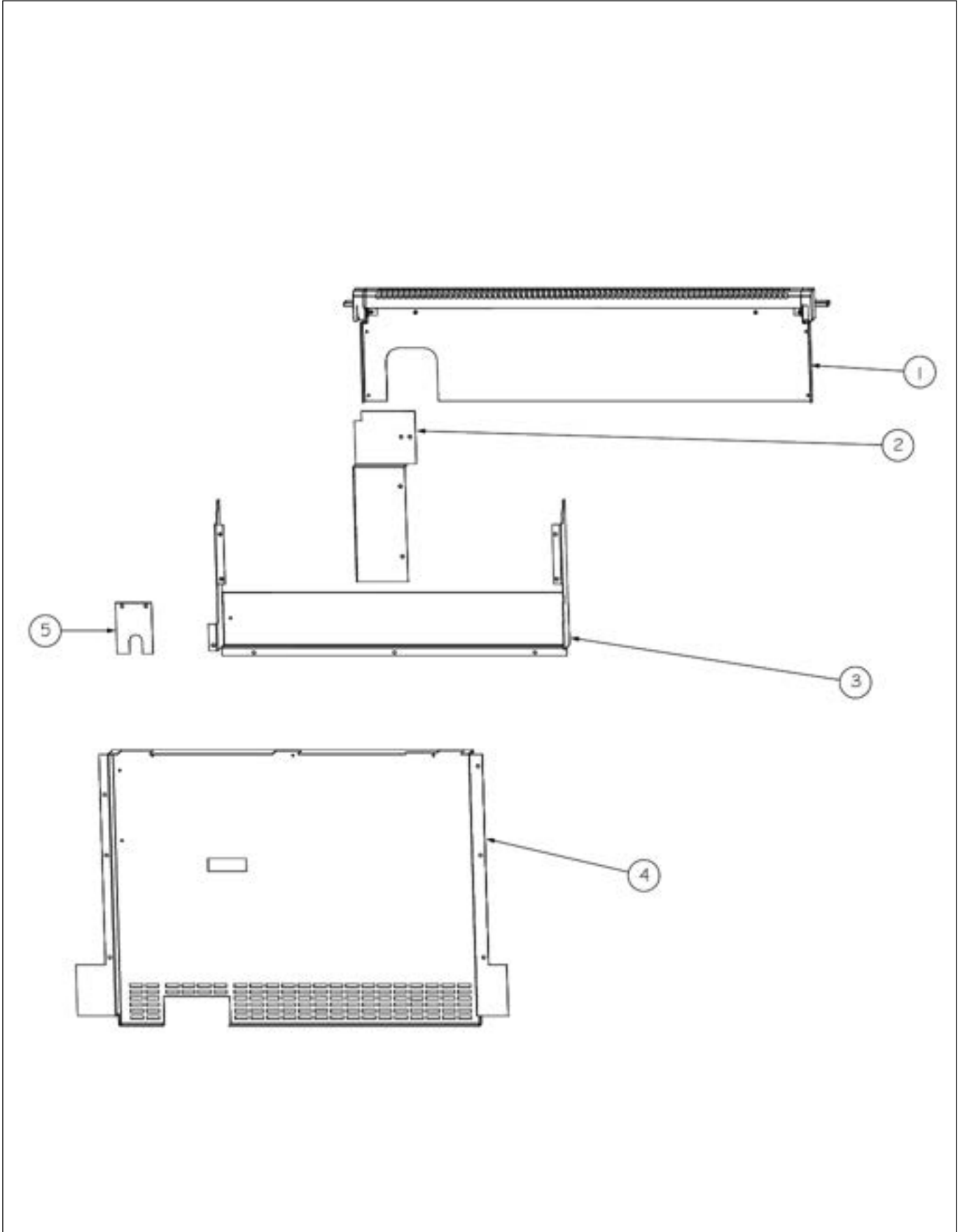


Item	Part No.	Name	Qty	Uom	NOTES
1	016471-000	36" FAN COVER	1	EA	Not available online / Call for pricing and availability
2	012568-000	BRACKET, FAN	1	EA	
3	012569-000	BRACKET, LOWER FAN	1	EA	
4	012567-000	DUCT, FAN, 36"	1	EA	
5	003860-000	10-18 x .500 FASTNR,SCR,HXWH,STL,ZPLT	8	EA	
6	PJ030039	BI-METAL THERMOSTAT 275 DEGREES	1	EA	
7	007842-000	TOP CAP, 36"	1	EA	
8	027348-000	DSI RETROFIT SERVICE KIT P1- NLA SEE BULLETIN TC- 0063D-SP	2	EA	
Comments for Part Num. 027348-000					
gboltz@VikingRange.com on Jan 20, 2017					
See service bulletin TC-0063D-SP					
Not Shown	NOTE	(Before January 2011)		EA	
8	018610-000	DSI230-2-LVS-C OVEN	2	EA	Not available online / Call for pricing and availability
Not Shown	NOTE	(After January 2011)		EA	
9	009288-000	36" FAN BRACKET	2	EA	
10	008012-000	BOARD CLIP	1	EA	
11	012571-000	PLATE, CONTROL MTG	1	EA	
12	PD020060	10 X 1/2" (5/16)HEX WSHR HD.(T)A	2	EA	
13	A20012649	DOOR SWITCH BRACKET	1	EA	
14	PE050208	DOOR SWITCH	1	EA	
15	PD040005	SNAP BUSHING - 7/8"	3	EA	
16	007842-000	TOP CAP, 36"	1	EA	
17	PB070079	SILICONE EXTRUSION (DGSU)	2	EA	
18	PJ030022	BI-METAL THERMOSTAT, 115 DEGREES (FAN SWITCH)	1	EA	



Item	Part No.	Name	Qty	Uom	NOTES
19	012438-000	SWITCH, LIM, BRKT	1	EA	
20	PE050250	Blower	1	EA	
<p>Comments for Part Num. PE050250</p> <p>highendappsvc@gmail.com on Jan 28, 2019</p> <p>If you need to replace cooling fan for the model vgsc5486gss serial date code 031412, do not order this fan, this fan is larger and configured wrong. The correct fan is 007794-000. it is smaller.</p>					
21	018006-000	MOUNTING PLATE 4 DSI EVGCC	1	EA	
21	NA YET	MOUNTING PLATE 4 DSI EVGCC (NEW)	1	EA	
Not Shown	NOTE	(AFTER 12/03/2010)		EA	
22	NA YET	CONVERSION KIT TO 018609- 000 DSI MODULE	3	EA	
Not Shown	NOTE	(BEFORE 12/03/2010)		EA	
22	042721-507	DSI230 SHORT PURGE ASSY	3	EA	
Not Shown	NOTE	(AFTER 12/03/2010)		EA	

REAR SHEET METAL





Item	Part No.	Name	Qty	Uom	NOTES
1	041505-000	ISLAND TRIM, ASM, 36" CUSTOM	1	EA	
2	006962-000	COVER, INL, BACK	1	EA	
3	009089-000	BACK, TOP 36"	1	EA	
4	009091-000	BACK PANEL, 36"	1	EA	
5	006687-000	REGULATOR COVER PLATE	1	EA	



Item	Part No.	Name	Qty	Uom	NOTES
1	010168-000	CUSTOM RANGE GRILL GRATE	1	EA	
2	007323-000	BURNER GRATE	4	EA	
Not Shown	NOTE	(BEFORE 11/21/14)		EA	
2	049420-000	GRATE, BURNER, ASM	4	EA	
Not Shown	NOTE	(ON OR AFTER 11/21/14)		EA	
NI	074892-000	RUBBER FOOT	16	EA	
Not Shown	NOTE	(BEFORE 11/21/14)		EA	
NI	049416-000	BUMBER, GRATE	16	EA	
Not Shown	NOTE	(ON OR AFTER 11/21/14)		EA	
3	066958-000	D BURNER CAP *MATTE BLACK*	4	EA	
4	018200-000	ADJUSTED SEALED BURNER HEAD	4	EA	
5	PD020076	6-32 X 3/8" PHILL PAN MS	16	EA	
6	003322-041	SEALED BURNER BASE, PAINTED FINISH- GRAY	4	EA	
7	072628-402	GRILL SMOKE GENERATOR	2	EA	
8	013593-000	PAN, DRIP, ASM, RIGHT	2	EA	
9	E9108438BK	MAIN TOP (VGRT4G/Q) *BK*	1	EA	
10	003860-000	10-18 x .500 FASTNR,SCR,HXWH,STL,ZPLT	35	EA	
11	002923-000	BURNER MODULE SUPPORT	2	EA	
12	066197-041	18500 BTU NAT JETHOLDER	1	EA	
12	066197-042	15000 BTU NAT JETHOLDER	3	EA	
Not Shown	NOTE	(For correct orifice, see chart)		EA	
13	PB020192	10" FLEX TUBING W/CONNECTORS	3	EA	
14	008278-000	BURNER BOX BACK SUPPORT	1	EA	
15	016793-000	SHIELD, HEAT, RH, Q MODELS	1	EA	
16	002920-000	TOP TRIM RING, RH	1	EA	
17	011077-000	SHIELD, HEAT, GRIDDLE, RH	1	EA	
18	A2001361	BACK SPACER (VGSC/VGSS)	3	EA	

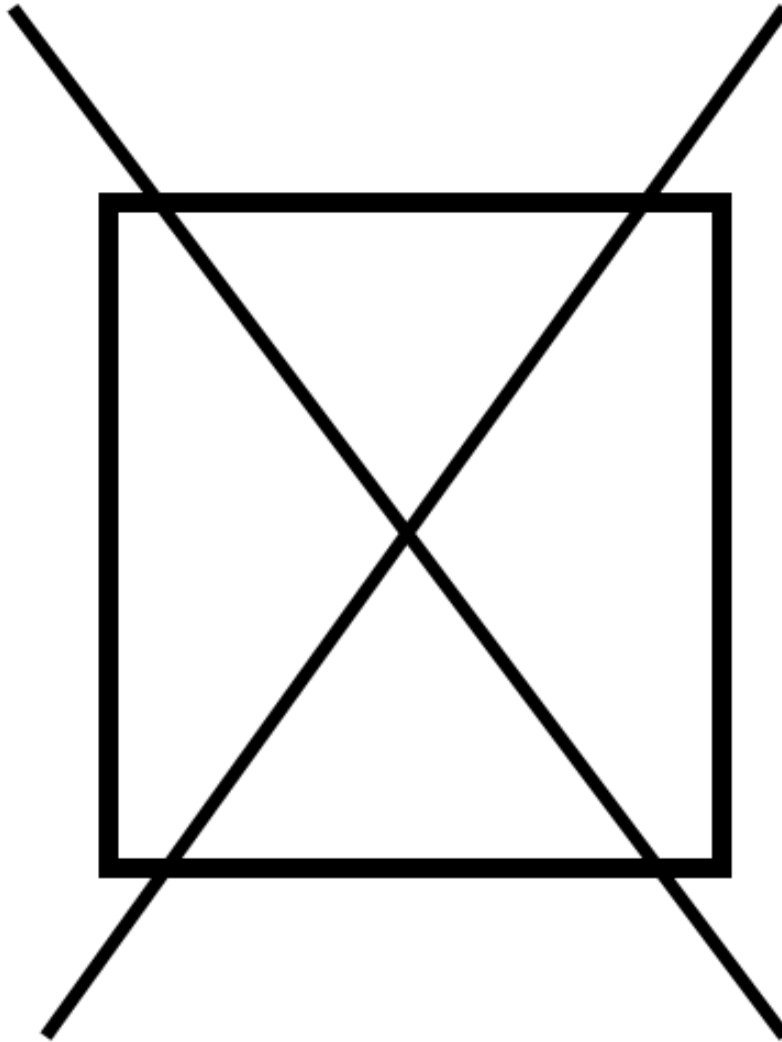


Item	Part No.	Name	Qty	Uom	NOTES
19	PD020079	#10 X 1 1/4 PH. PAN HD. T(A) NYLOK	3	EA	
20	009112-000	VALVE, SOL, DOUBLE	1	EA	
21	009053-000	BAKE TUBING, 36"	1	EA	
Not Shown	NOTE	(For correct orifice, see chart)		EA	
22	011035-000	OVEN TUBING ASM	1	EA	
23	PD020010	10 X 3/8 GREEN GROUNDING SCREW	1	EA	
24	009055-000	BROIL TUBING, 36"	1	EA	
Not Shown	NOTE	(For correct orifice, see chart)		EA	
25	PB070058	Cooktop Gasket	1	EA	
26	008279-000	BURNER BOX FRONT SUPPORT	1	EA	
27	016472-000	36" DIVIDER, BURNER BOX	1	EA	
28	PD040005	SNAP BUSHING - 7/8"	1	EA	
29	008283-000	BACK VENT, 36"	1	EA	
30	011078-000	PANEL, RNG, GRIDDLE, LF	1	EA	
31	003649-000	TOP TRIM RING, LH	1	EA	
32	016792-000	SHIELD, HEAT, LH, Q MODELS	1	EA	
33	004016-000	PLATE, SVCE, RGLT	1	EA	
34	006687-000	REGULATOR COVER PLATE	1	EA	
35	PB020193	16" FLEX TUBING W/CONNECTORS	1	EA	
36	J2101749	GREASE PAN	1	EA	
37	008286-000	BRACKET, DRIP, PAN, CUSTOM, Q-MODELS	2	EA	
38	PD020046	' #8 X 1/2 SCREWS	4	EA	
39	007776-000	MOUNT, GRILL, BURNER, FRONT	1	EA	
40	PB040190	90 DEGREE ORIFICE FITTING #50 NAT	1	EA	
Not Shown	NOTE	(For correct orifice, see chart)		EA	
41	007878-000	BURNER, GRIL, ASM	1	EA	
42	013595-000	PAN, DRIP, ASM, LEFT	1	EA	



Item	Part No.	Name	Qty	Uom	NOTES
43	008636-000	BRACKET, BURNER, GRILL, REAR	1	EA	
44	018102-000	VALVE. SOL. SINGLE SGV-111- 2020-S	1	EA	
45	018028-000	ADAPTOR 5/8 x 9/16	1	EA	
46	004156-000	CE TRANSFORMER (230-120V)	1	EA	
46	018201-000	TRANSFO 160VA (AMPL- 3N1756)	1	EA	
47	PJ030038	EMC FILTER	1	EA	
48	PB020192	10" FLEX TUBING W/CONNECTORS	1	EA	
49	011076-000	SHIELD, HEAT, VALVE W/TUBE	1	EA	
50	016796-000	SHIELD, HEAT, FR, Q MODELS	1	EA	
51	016794-000	SHIELD, HEAT, REAR, Q MODELS	1	EA	
NI	PA020028	SPARK IGNITER	1	EA	

NON
ILLUSTRATED PART





Item	Part No.	Name	Qty	Uom	NOTES
NI	006766-000	IRIS IGNITOR WIRE, BACK BURNER	3	EA	
NI	000647-000	IRIS IGNITOR WIRE, FRONT BURNER	2	EA	
NI	025990-000	HARNESS, WIRE, VGCC536-6B	1	EA	
NI	024605-000	WIRE, BRL, ELECTRODE, ASM	1	EA	
NI	PE070036	NYLON CABLE TIES -7"	2	EA	
NI	024606-000	WIRE, BAKE, ELECTRODE, ASM	1	EA	
NI	015745-000	HARNESS, GRIDDLE/CC OVEN THERMOSTAT	1	EA	
NI	G4000936	GROUND WIRE	1	EA	
NI	018019-000	CE WIRE HARNESS -2	2	EA	
NI	018018-000	CE WIRE HARNESS -1	1	EA	
NI	PE970483	CORD POWER CE	1	EA	
NI	018632-000	WIRE, IGNITOR, 38	1	EA	



Appendix A:Pages Index

CAVITY INTERIOR 1
CONTROL AREA 2
DOOR ASSEMBLY 3
LOWER UNIT AND SIDE PANEL 4
OVEN ELECTRONICS 5
REAR SHEET METAL 6
SURFACE COOKING AREA 7
UNIT WIRING 8



Appendix B:Parts Index

000090-000	3	004645-024	4
000594-000	3	004645-025	4
000647-000	8	004645-026	4
002884-000	2	004645-027	4
002905-000	4	004907-000	3
002920-000	7	005259-000	1
002923-000	7	005263-000	1
003011-000	3	005264-000	1
003011-100	3	005269-000	2
003012-000	3	005280-000	4
003012-100	3	005505-002	4
003322-041	7	005505-003	4
003588-000	4	005505-004	4
003649-000	7	005505-005	4
003719-000	2	005505-006	4
003801-000	4	005505-008	4
003860-000	1, 4, 5, 7	005505-009	4
004016-000	7	005505-010	4
004156-000	7	005505-012	4
004479-000	4	005505-013	4
004482-000	4	005505-015	4
004645-002	4	005505-016	4
004645-003	4	005505-017	4
004645-004	4	005505-018	4
004645-005	4	005505-019	4
004645-006	4	005505-020	4
004645-008	4	005505-021	4
004645-009	4	005505-022	4
004645-010	4	005505-023	4
004645-012	4	005505-024	4
004645-013	4	005505-025	4
004645-015	4	005505-026	4
004645-016	4	005505-027	4
004645-017	4	005529-000	4
004645-018	4	005536-000	1
004645-019	4	006050-000	1
004645-020	4	006080-000	3
004645-021	4	006192-000	1
004645-022	4	006355-000	2
004645-023	4	006574-000	2
		006687-000	6, 7



006766-000	8	011077-000	7
006945-000	4	011078-000	7
006962-000	6	011522-002	4
007008-000	1	011522-003	4
007147-000	2	011522-004	4
007259-000	1	011522-005	4
007278-000	1	011522-006	4
007323-000	7	011522-008	4
007484-000	4	011522-009	4
007583-000	3	011522-010	4
007776-000	7	011522-012	4
007816-000	4	011522-013	4
007817-000	4	011522-015	4
007841-000	1	011522-016	4
007842-000	5, 5	011522-017	4
007844-000	1	011522-018	4
007851-000	4	011522-019	4
007854-000	3	011522-020	4
007878-000	7	011522-021	4
007883-000	3	011522-022	4
008012-000	5	011522-023	4
008154-000	3	011522-024	4
008164-000	3	011522-025	4
008164-100	3	011522-026	4
008185-000	3	011522-051	4
008191-000	1	011522-052	4
008278-000	7	011522-053	4
008279-000	7	011522-054	4
008283-000	7	011524-002	3
008286-000	7	011524-003	3
008345-000	4	011524-004	3
008636-000	7	011524-005	3
009053-000	7	011524-006	3
009055-000	7	011524-008	3
009089-000	6	011524-009	3
009091-000	6	011524-010	3
009112-000	7	011524-012	3
009288-000	5	011524-013	3
010168-000	7	011524-015	3
011035-000	7	011524-016	3
011076-000	7	011524-017	3



011524-018	3	016793-000	7
011524-021	3	016794-000	7
011524-022	3	016796-000	7
011524-023	3	018006-000	5
011524-024	3	018018-000	2, 8
011524-025	3	018019-000	2, 2, 8
011524-102	3	018022-000	1
011524-103	3	018028-000	7
011524-104	3	018031-000	2
011524-105	3	018102-000	7
011524-106	3	018200-000	7
011524-108	3	018201-000	7
011524-109	3	018605-000	2
011524-110	3	018610-000	5
011524-112	3	018627-000	2
011524-113	3	018631-000	2
011524-115	3	018632-000	8
011524-116	3	024605-000	8
011524-117	3	024606-000	8
011524-118	3	025990-000	8
011524-121	3	027009-000	1
011524-122	3	027348-000	5
011524-123	3	030823-000	3
011524-124	3	031679-000	1
011524-125	3	035958-000	4
011637-000	2	040865-000	1, 1
012265-000	2	041505-000	6
012438-000	5	042233-2108	2
012567-000	5	042287-000	4
012568-000	5	042323-002	4
012569-000	5	042323-003	4
012571-000	5	042323-004	4
013053-000	2	042323-005	4
013290-000	3	042323-006	4
013583-000	2	042323-008	4
013593-000	7	042323-009	4
013595-000	7	042323-010	4
015745-000	8	042323-012	4, 4
016471-000	5	042323-015	4
016472-000	7	042323-016	4
016792-000	7	042323-017	4



042323-018	4	042679-005	4
042323-019	4	042679-006	4
042323-020	4	042679-008	4
042323-021	4	042679-009	4
042323-022	4	042679-010	4
042323-023	4	042679-012	4
042323-024	4	042679-013	4
042323-025	4	042679-015	4
042323-026	4	042679-016	4
042323-051	4	042679-017	4, 4
042323-052	4	042679-019	4
042323-053	4	042679-020	4
042323-054	4	042679-021	4
042648-000	4	042679-022	4
042666-000	4	042679-023	4
042678-002	4	042679-024	4
042678-003	4	042679-025	4
042678-004	4	042679-026	4
042678-005	4	042679-027	4
042678-006	4	042721-507	5
042678-008	4	044178-000	4
042678-009	4	049416-000	7
042678-010	4	049420-000	7
042678-012	4	049718-402	1
042678-013	4	050172-000	2
042678-015	4	056034-000	2
042678-016	4	056872-000	4
042678-017	4	056873-000	4
042678-018	4	057686-000	1
042678-019	4	066197-041	7
042678-020	4	066197-042	7
042678-021	4	066210-000	1
042678-022	4	066958-000	7
042678-023	4	068458-000	1
042678-024	4	068653-601	1
042678-025	4	072628-402	7
042678-026	4	074321-000	3
042678-027	4	074329-002	3
042679-002	4	074329-005	3
042679-003	4	074329-006	3
042679-004	4	074329-008	3



074329-013	3	PD020032	2
074329-024	3	PD020033	3
074892-000	7	PD020046	7
A1002596	1	PD020060	1, 5
A20012649	5	PD020063	3
A2001361	1, 7	PD020067	1
A2002189	3	PD020076	7
A2002595	1	PD020079	7
A2004428	1	PD020084	1
A2004429	4	PD020232	1
A2005525	1	PD030018	1
A2008467	1	PD03006	3
B2002261	1	PD040004	2
B2005589	1	PD040005	4, 5, 7
E2004433	1	PD040106	2
E2004435	1	PE010030	3
E2005512	1	PE010068	3
E21012644	1	PE050001	4
E2109638	1	PE050023	2
E30014476	1	PE050024	2
E91012614	1	PE050057	1
E9107933	1	PE050208	5
E9107934	1	PE050250	5
E9108438BK	7	PE060030	3
G3001876	1	PE070036	8
G4000936	8	PE070207	4
J2101749	7	PE970483	8
PA020028	7	PJ030022	5
PB020192	7, 7	PJ030038	7
PB020193	7	PJ030039	5
PB040170	1		
PB040171	1		
PB040190	7		
PB060030	1		
PB070058	7		
PB070079	5		
PB070208	1		
PD010003	3		
PD010012	2		
PD020010	7		
PD020014	3		