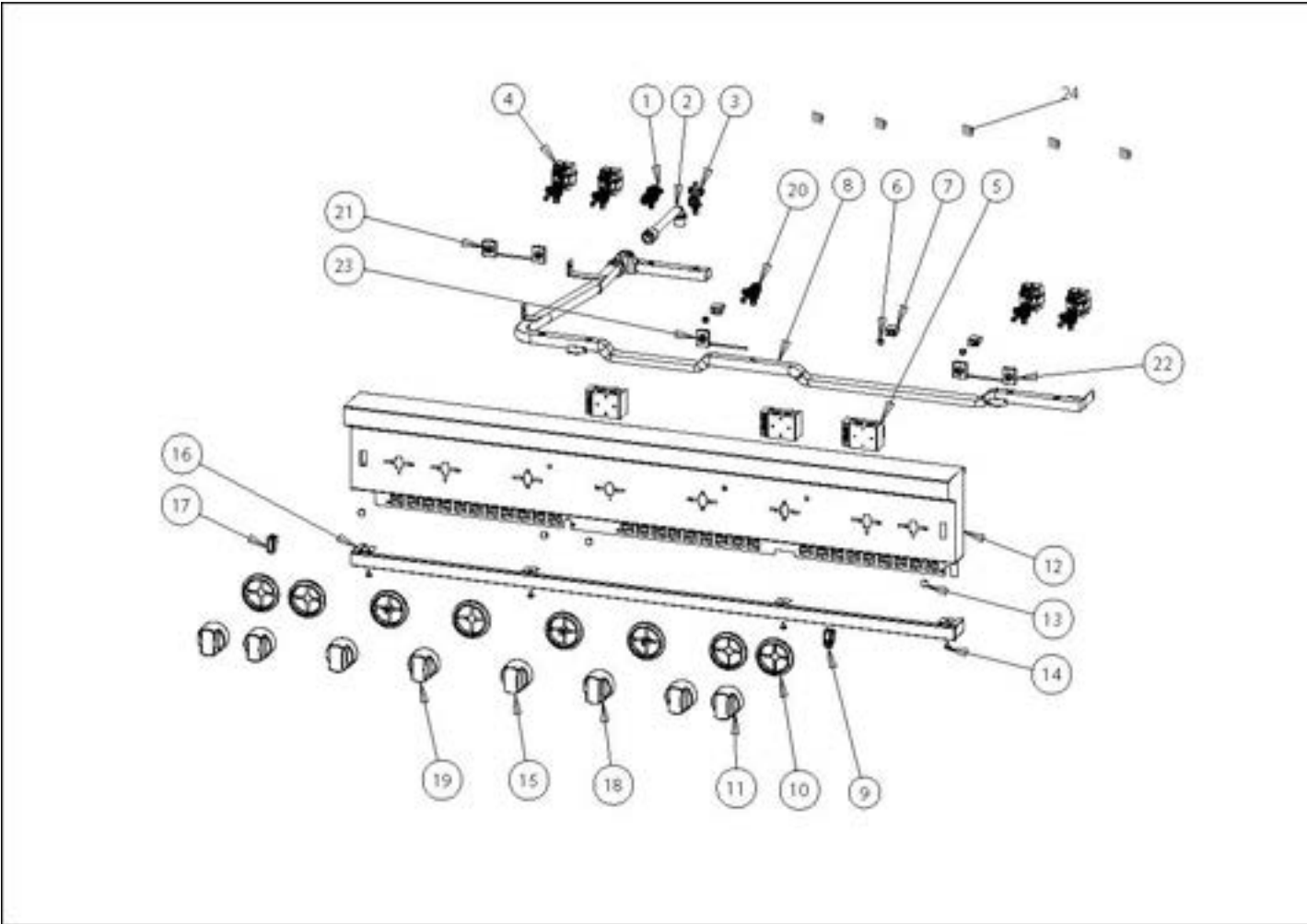


EVGCC548-4GQ

CONTROL AREA	1
LH DOOR ASSY	2
LH OVEN CAVITY	3
LOWER UNIT AND SIDE PANEL	4
OVEN ELECTRONICS	5
REAR SHEET METAL	6
RH DOOR ASSY	7
RH OVEN CAVITY	8
SURFACE COOKING AREA	9
UNIT WIRING	10
Appendix A:Pages Index	A
Appendix B:Parts Index	B

CONTROL AREA



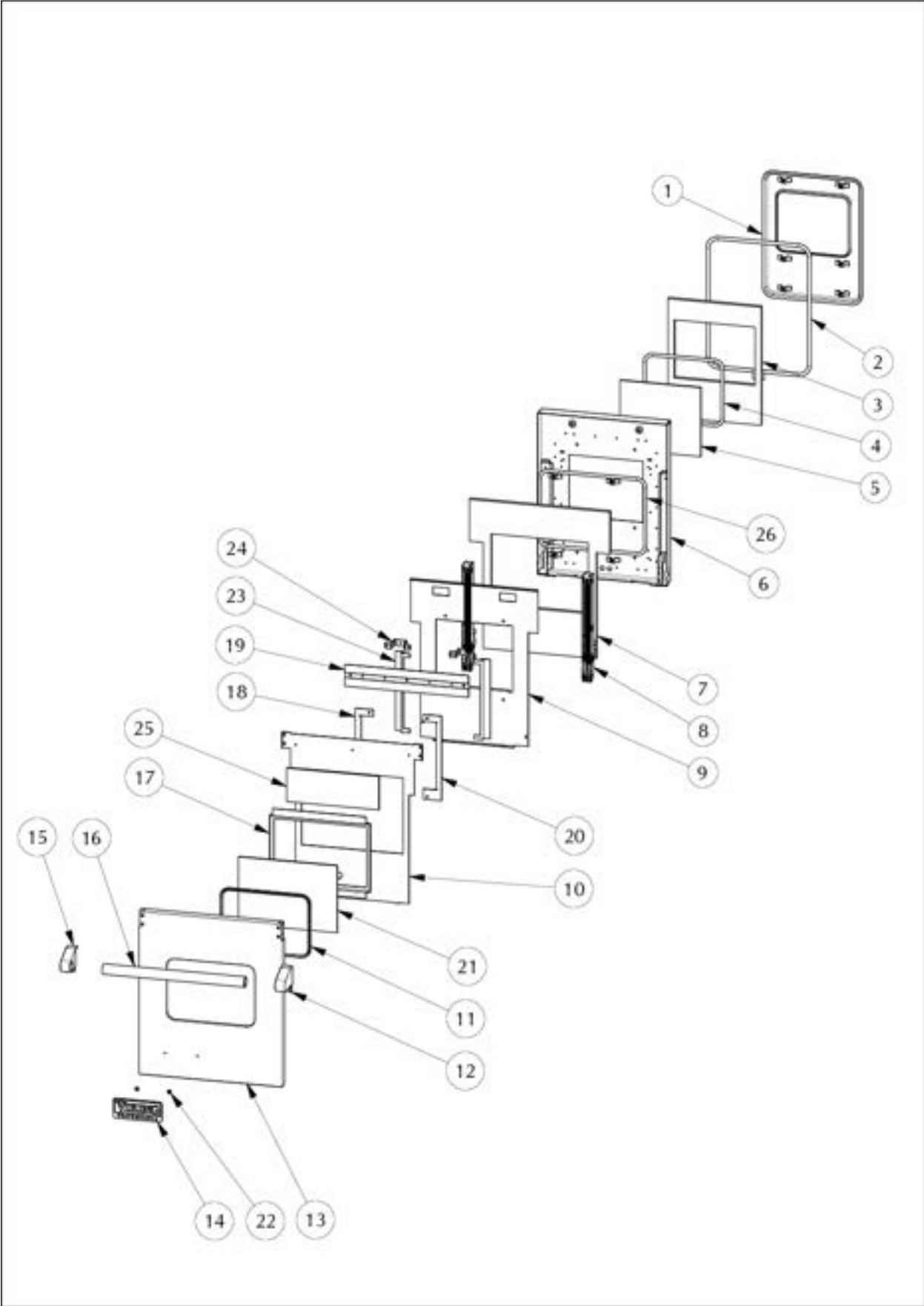


Item	Part No.	Name	Qty	Uom	NOTES
1	013320-000	VALVE, SHUTOFF, 90 DEGREE	2	EA	
2	018033-000	GAS TUBE 135MM	1	EA	Not available online / Call for pricing and availability
NI	018627-000	COUPLING, 1/2" NPT/14 TPI	1	EA	
NI	018630-000	NIPPLE 4"	1	EA	Not available online / Call for pricing and availability
NI	PD040106	1/2" NPT-BSP ADAPTER	1	EA	
3	007147-000	SHUT OFF VALVE	1	EA	
4	018605-000	VALVE & SOLENOID ASM	6	EA	
5	013213-000	TSTAT, SMPS, ELEC, 2-POS, .91" SHAFT, CB	3	EA	
NI	013408-000	SUPPLY, 12V, 5W, RECOM, 1 CON	1	EA	
Not Shown	NOTE	(For griddle thermostat, order 026469-000 and 013408-000)		EA	
6	PE050023	OVEN IND. LIGHT (LENS & BEZEL)	3	EA	NO LONGER AVAILABLE
7	PE050024	OVEN IND. LIGHT (LIGHT HOUSING)	3	EA	
<p>Comments for Part Num. PE050024</p> <p>haarnink@vikingrange.com on Jan 14, 2019 please not that the indicator light is now part 043135-000 but needs the Jumper harness 051443-000. and second option there are units in the field with a 230V indicator light part number 036566-000.</p> <p>please check this for all "E" module ranges/Tops ksturm@vikingrange.com on Apr 22, 2019 please not that the indicator light is now part 043135-000 but needs the Jumper harness 051443-000. and second option there are units in the field with a 230V indicator light part number 036566-000.</p> <p>please check this for all "E" module ranges/Tops</p>					
8	012795-000	MANIFOLD,ASM,48" 4GQ	1	EA	Not available online / Call for pricing and availability
9	006355-000	SPLASHPROOF ROCKER SWITCH	1	EA	
10	PB010304	KNOB BEZEL	8	EA	



Item	Part No.	Name	Qty	Uom	NOTES
11	005269-000	RANGE TOP BURNER KNOB-BRUSHED, SSS	4	EA	
12	042195-2111	PNL, CTRL, ASM, VGCC548-4GQ W/GRAPHICS	1	EA	
Not Shown	NOTE	(MUST ORDER ITEM 26 WHEN REPLACING CONTROL PANEL)		EA	
13	PD040004	GROMMET BUMPER	4	EA	
14	PD020032	SRW-8(A)X3/8"PH.WFR HD 7/16DIA*NICL	4	EA	
15	009574-000	KNOB, GRL, ASM, PVD, NO.3, SSS	1	EA	Not available online / Call for pricing and availability
16	006424-000	HANDLE, DRIP, ASM, SST, VDSC548	1	EA	
17	003719-000	OVEN LIGHT SWITCH, BLACK	1	EA	
18	013053-000	THERMOSTAT KNOB EVGCC *SS*	1	EA	
19	013057-000	GRIDDLE KNOB EVDSC/ EVGSC/ CC *SS*	1	EA	
20	013583-000	VALVE, GRL, ASM, BRS, ISPHORDING	1	EA	
21	018018-000	CE WIRE HARNESS -1	1	EA	
22	018019-000	CE WIRE HARNESS -2	1	EA	
23	018019-000	CE WIRE HARNESS -2	1	EA	
24	M0104106	CLIP-CORD VM0104106	5	EA	
NI	006945-000	COVER, TERM, BLOCK	1	EA	
NI	014328-000	COVER, RGLR, 48" GAS	1	EA	
NI	PD010012	VALVE BOLT 1/4-20 UNC-2B 5/16" M.S.	11	EA	

LH DOOR ASSY





Item	Part No.	Name	Qty	Uom	NOTES
1	000943-000	PLUG, DOOR, WELD 48 LH	1	EA	
2	000080-000	48" LH DOOR GASKET	1	EA	
3	PB070145	SUPERWOOL 5" X 24" X 3'	1	EA	
4	000594-000	BLACK FIBERGLASS ROPE 3/8"	1	EA	
5	PE060032	GLASS (HEAT BARRIER) LH DF48DOOR	2	EA	
6	007221-000	LINER, DOOR, WELD ASM (Before 12/20/2012)	1	EA	
7	PB070145	SUPERWOOL 5" X 24" X 3'	1	EA	
8	008276-000	HINGE, DOOR	2	EA	
9	007202-000	DOOR, INNER HEAT SINK, VGCC/SC 48" LH	1	EA	
10	007222-000	PANEL, INSL, DOORSKIN, VGSC 18"	1	EA	
11	PE060046	J-MOLD LH SS (DF48 DOOR)	1	EA	
12	003012-000	DOOR HANDLE ENDCAP ASSY, RH (CHROME)	1	EA	
13	007203-000	SKIN, LH DOOR, VGSC 48"	1	EA	NO LONGER AVAILABLE
13	020038-002	LH DOOR SKIN KIT SRV, VGSC548 BK	1	EA	
13	020038-003	LH DOOR SKIN KIT SRV, VGSC548 BT	1	EA	
13	020038-004	LH DOOR SKIN KIT SRV, VGSC548 SG	1	EA	
13	020038-005	LH DOOR SKIN KIT SRV, VGSC548 GG	1	EA	
13	020038-006	LH DOOR SKIN KIT SRV, VGSC548 WH	1	EA	
13	020038-007	LH SVC DOOR SKIN KIT AL	1	EA	Not available online / Call for pricing and availability
13	020038-008	LH DOOR SKIN KIT SRV, VGSC548 BU	1	EA	
13	020038-009	LH DOOR SKIN KIT SRV, VGSC548 LE	1	EA	
13	020038-010	LH DOOR SKIN KIT SRV, VGSC548 MJ	1	EA	
13	020038-011	LH SVC DOOR SKIN KIT FG	1	EA	Not available online / Call for pricing and availability



Item	Part No.	Name	Qty	Uom	NOTES
13	020038-012	LH DOOR SKIN KIT SRV, VGSC548 VB	1	EA	
13	020038-013	LH DOOR SKIN KIT SRV, VGSC548 CB	1	EA	
13	020038-014	LH SVC DOOR SKIN KIT EP	1	EA	Not available online / Call for pricing and availability
13	020038-015	LH DOOR SKIN KIT SRV, VGSC548 PL	1	EA	
13	020038-016	LH DOOR SKIN KIT SRV, VGSC548 CH	1	EA	NO LONGER AVAILABLE
13	020038-017	LH DOOR SKIN KIT SRV, VGSC548 TP	1	EA	
13	020038-018	LH DOOR SKIN KIT SRV, VGSC548 CW NLA	1	EA	
13	020038-019	LH DOOR SKIN KIT SRV, VGSC548 OG	1	EA	
13	020038-020	LH DOOR SKIN KIT SRV, VGSC548 GM	1	EA	
13	020038-021	LH DOOR SKIN KIT SRV, VGSC548 SA	1	EA	
13	020038-022	LH DOOR SKIN KIT SRV, VGSC548 SE	1	EA	
13	020038-023	LH DOOR SKIN KIT SRV, VGSC548 IB	1	EA	
13	020038-024	LH DOOR SKIN KIT SRV, VGSC548 AR	1	EA	
13	020038-025	LH DOOR SKIN KIT SRV, VGSC548 RR	1	EA	Not available online / Call for pricing and availability
13	020038-026	LH DOOR SKIN KIT SRV, VGSC548 PM	1	EA	
13	020038-027	LH DOOR SKIN KIT SRV, VGSC548 MS	1	EA	
13	020038-102	LH SVC DOOR SKIN KIT BKBR	1	EA	Not available online / Call for pricing and availability
13	020038-103	LH SVC DOOR SKIN KIT BTBR	1	EA	Not available online / Call for pricing and availability



Item	Part No.	Name	Qty	Uom	NOTES
13	020038-104	LH SVC DOOR SKIN KIT SGBR	1	EA	Not available online / Call for pricing and availability
13	020038-105	LH SVC DOOR SKIN KIT GGBR	1	EA	Not available online / Call for pricing and availability
13	020038-106	LH SVC DOOR SKIN KIT WHBR	1	EA	Not available online / Call for pricing and availability
13	020038-107	LH SVC DOOR SKIN KIT ALBR	1	EA	Not available online / Call for pricing and availability
13	020038-108	LH SVC DOOR SKIN KIT BUBR	1	EA	Not available online / Call for pricing and availability
13	020038-109	LH SVC DOOR SKIN KIT LEBR	1	EA	Not available online / Call for pricing and availability
13	020038-110	LH SVC DOOR SKIN KIT MJBR	1	EA	Not available online / Call for pricing and availability
13	020038-111	LH SVC DOOR SKIN KIT FGBR	1	EA	Not available online / Call for pricing and availability
13	020038-112	LH SVC DOOR SKIN KIT VBGR	1	EA	Not available online / Call for pricing and availability
13	020038-113	LH SVC DOOR SKIN KIT CBGR	1	EA	Not available online / Call for pricing and availability
13	020038-114	LH SVC DOOR SKIN KIT EPBR	1	EA	Not available online / Call for pricing and availability
13	020038-115	LH SVC DOOR SKIN KIT PLBR	1	EA	Not available online / Call for pricing and availability
13	020038-116	LH SVC DOOR SKIN KIT CHBR	1	EA	Not available online / Call for pricing and availability



Item	Part No.	Name	Qty	Uom	NOTES
13	020038-117	LH SVC DOOR SKIN KIT TPBR	1	EA	Not available online / Call for pricing and availability
13	020038-118	LH SVC DOOR SKIN KIT CWBR	1	EA	Not available online / Call for pricing and availability
13	020038-119	LH SVC DOOR SKIN KIT OGBR	1	EA	Not available online / Call for pricing and availability
13	020038-120	LH SVC DOOR SKIN KIT GMBR	1	EA	Not available online / Call for pricing and availability
13	020038-121	LH SVC DOOR SKIN KIT SABR	1	EA	Not available online / Call for pricing and availability
13	020038-122	LH SVC DOOR SKIN KIT SEBR	1	EA	Not available online / Call for pricing and availability
13	020038-123	LH SVC DOOR SKIN KIT IBBR	1	EA	Not available online / Call for pricing and availability
13	020038-124	LH SVC DOOR SKIN KIT ARBR	1	EA	Not available online / Call for pricing and availability
13	020038-125	LH SVC DOOR SKIN KIT RRBR	1	EA	Not available online / Call for pricing and availability
13	020038-126	LH SVC DOOR SKIN KIT PMBR	1	EA	Not available online / Call for pricing and availability
13	020038-127	LH SVC DOOR SKIN KIT MSBR	1	EA	Not available online / Call for pricing and availability
14	PE010030	LOGO 6" (VGRC) *BK*	1	EA	
15	003011-000	DOOR HANDLE ENDCAP ASSY, LH (CHROME)	1	EA	
16	006221-000	18" DOOR HANDLE, SST	1	EA	
17	008336-000	FRAME, GL	1	EA	
18	009830-000	RETAINER, INSL, LH	1	EA	



Item	Part No.	Name	Qty	Uom	NOTES
19	006225-000	BRACKET, DOOR, ASM, MT, VDSC 18"	1	EA	
20	009818-000	RETAINER, INSL, RH	1	EA	
21	PE060049	GLASS LH *TE* DF48DOOR	1	EA	
22	PD030006	CAPPED WASHER PAL NUT	2	EA	
23	020437-000	WINDOW HOLDER	1	EA	
24	A21014003	DOOR LINER MTG. BRKT.	2	EA	
25	006220-000	INSULATION, DOOR, SKIN, TOP, VDSC18"	1	EA	
26	000594-000	BLACK FIBERGLASS ROPE 3/8"	1	EA	
NI	007243-000	DOOR ASM, VGCC/SC LH SIDE (18")	1	EA	NO LONGER AVAILABLE
NI	007243-100	DOOR ASM, VGCC/SC548 LH, SSBR - NLA	1	EA	
NI	007241-002	DOOR ASM, VGCC/SC548 LH, BK	1	EA	
NI	007241-003	DOOR ASM, VGCC/SC548 LH, BT	1	EA	
NI	007241-004	DOOR ASM, VGCC/SC548 LH, SG	1	EA	
NI	007241-005	DOOR ASM, VGCC/SC548 LH, GG	1	EA	
NI	007241-006	DOOR ASM, VGCC/SC548 LH, WH	1	EA	
NI	007241-007	DOOR ASM, VGCC/SC548 LH, AL	1	EA	Not available online / Call for pricing and availability
NI	007241-008	DOOR ASM, VGCC/SC548 LH, BU	1	EA	
NI	007241-009	DOOR ASM, VGCC/SC548 LH, LE	1	EA	
NI	007241-010	DOOR ASM, VGCC/SC548 LH, MJ	1	EA	
NI	007241-011	DOOR ASM, VGCC/SC548 LH, FG	1	EA	Not available online / Call for pricing and availability
NI	007241-012	DOOR ASM, VGCC/SC548 LH, VB	1	EA	
NI	007241-013	DOOR ASM, VGCC/SC548 LH, CB	1	EA	

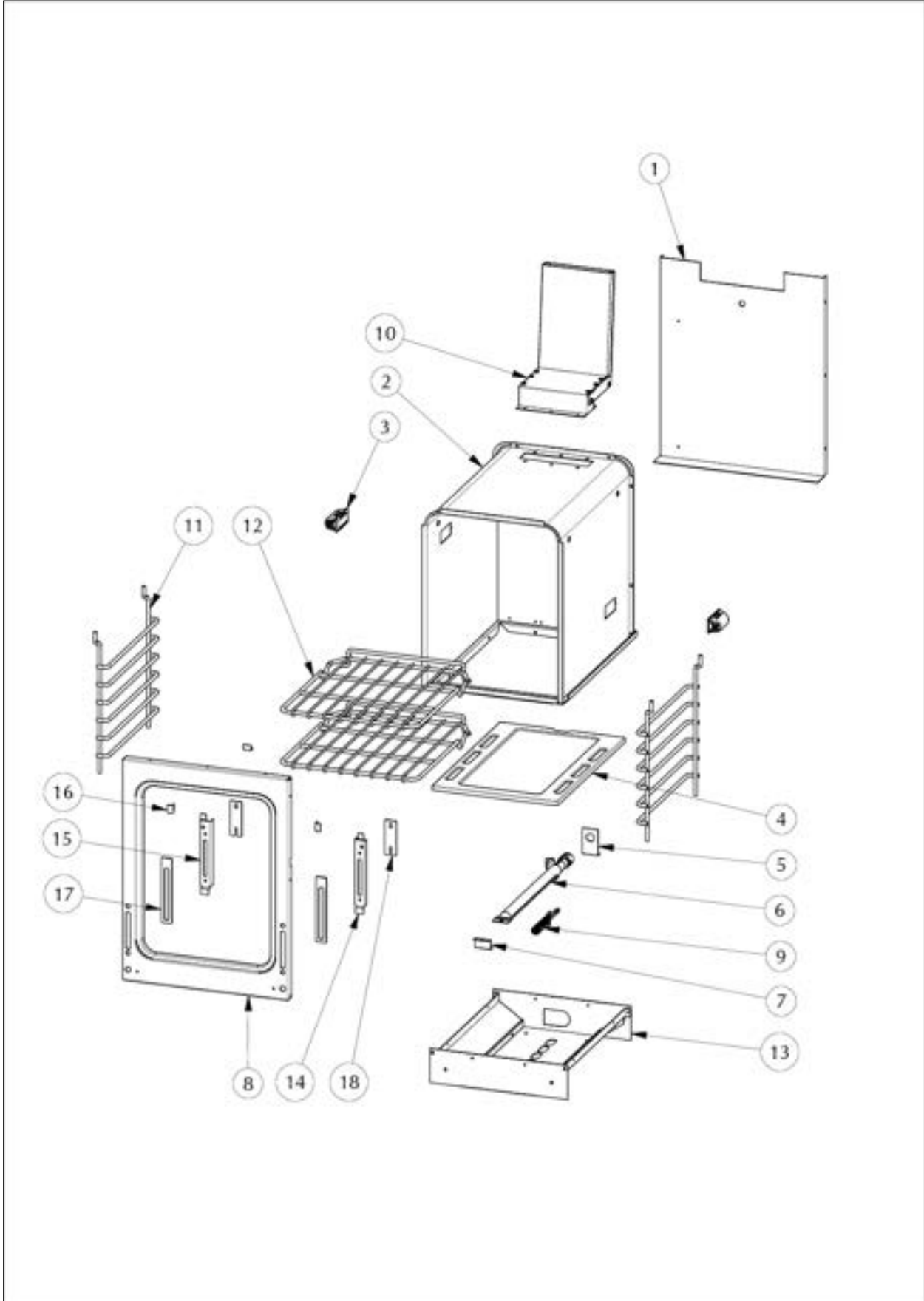


Item	Part No.	Name	Qty	Uom	NOTES
NI	007241-014	DOOR ASM, VGCC/SC548 LH, EP	1	EA	Not available online / Call for pricing and availability
NI	007241-015	DOOR ASM, VGCC/SC548 LH, PL	1	EA	
NI	007241-016	DOOR ASM, VGCC/SC548 LH, CH	1	EA	
NI	007241-017	DOOR ASM, VGCC/SC548 LH, TP	1	EA	
NI	007241-018	DOOR ASM, VGCC/SC548 LH, CW NLA	1	EA	
NI	007241-019	DOOR ASM, VGCC/SC548 LH, OG	1	EA	
NI	007241-020	DOOR ASM, VGCC/SC548 LH, GM	1	EA	
NI	007241-021	DOOR ASM, VGCC/SC548 LH, SA	1	EA	
NI	007241-022	DOOR ASM, VGCC/SC548 LH, SE	1	EA	
NI	007241-023	DOOR ASM, VGCC/SC548 LH, IB	1	EA	
NI	007241-024	DOOR ASM, VGCC/SC548 LH, AR	1	EA	
NI	007241-025	DOOR ASM, VGCC/SC548 LH, RR	1	EA	
NI	007241-026	DOOR ASM, VGCC/SC548 LH, PM	1	EA	
NI	007241-027	DOOR ASM, VGCC/SC548 LH, MS	1	EA	
NI	007241-002	DOOR ASM, VGCC/SC548 LH, BK	1	EA	
NI	007241-003	DOOR ASM, VGCC/SC548 LH, BT	1	EA	
NI	007241-004	DOOR ASM, VGCC/SC548 LH, SG	1	EA	
NI	007241-005	DOOR ASM, VGCC/SC548 LH, GG	1	EA	
NI	007241-006	DOOR ASM, VGCC/SC548 LH, WH	1	EA	
NI	007241-007	DOOR ASM, VGCC/SC548 LH, AL	1	EA	Not available online / Call for pricing and availability



Item	Part No.	Name	Qty	Uom	NOTES
NI	007241-008	DOOR ASM, VGCC/SC548 LH, BU	1	EA	
NI	007241-009	DOOR ASM, VGCC/SC548 LH, LE	1	EA	
NI	007241-010	DOOR ASM, VGCC/SC548 LH, MJ	1	EA	
NI	007241-011	DOOR ASM, VGCC/SC548 LH, FG	1	EA	Not available online / Call for pricing and availability
NI	007241-012	DOOR ASM, VGCC/SC548 LH, VB	1	EA	
NI	007241-013	DOOR ASM, VGCC/SC548 LH, CB	1	EA	
NI	007241-014	DOOR ASM, VGCC/SC548 LH, EP	1	EA	Not available online / Call for pricing and availability
NI	007241-015	DOOR ASM, VGCC/SC548 LH, PL	1	EA	
NI	007241-016	DOOR ASM, VGCC/SC548 LH, CH	1	EA	
NI	007241-017	DOOR ASM, VGCC/SC548 LH, TP	1	EA	
NI	007241-018	DOOR ASM, VGCC/SC548 LH, CW NLA	1	EA	
NI	007241-019	DOOR ASM, VGCC/SC548 LH, OG	1	EA	
NI	007241-020	DOOR ASM, VGCC/SC548 LH, GM	1	EA	
NI	007241-021	DOOR ASM, VGCC/SC548 LH, SA	1	EA	
NI	007241-022	DOOR ASM, VGCC/SC548 LH, SE	1	EA	
NI	007241-023	DOOR ASM, VGCC/SC548 LH, IB	1	EA	
NI	007241-024	DOOR ASM, VGCC/SC548 LH, AR	1	EA	
NI	007241-025	DOOR ASM, VGCC/SC548 LH, RR	1	EA	
NI	007241-026	DOOR ASM, VGCC/SC548 LH, PM	1	EA	
NI	007241-027	DOOR ASM, VGCC/SC548 LH, MS	1	EA	

LH OVEN CAVITY



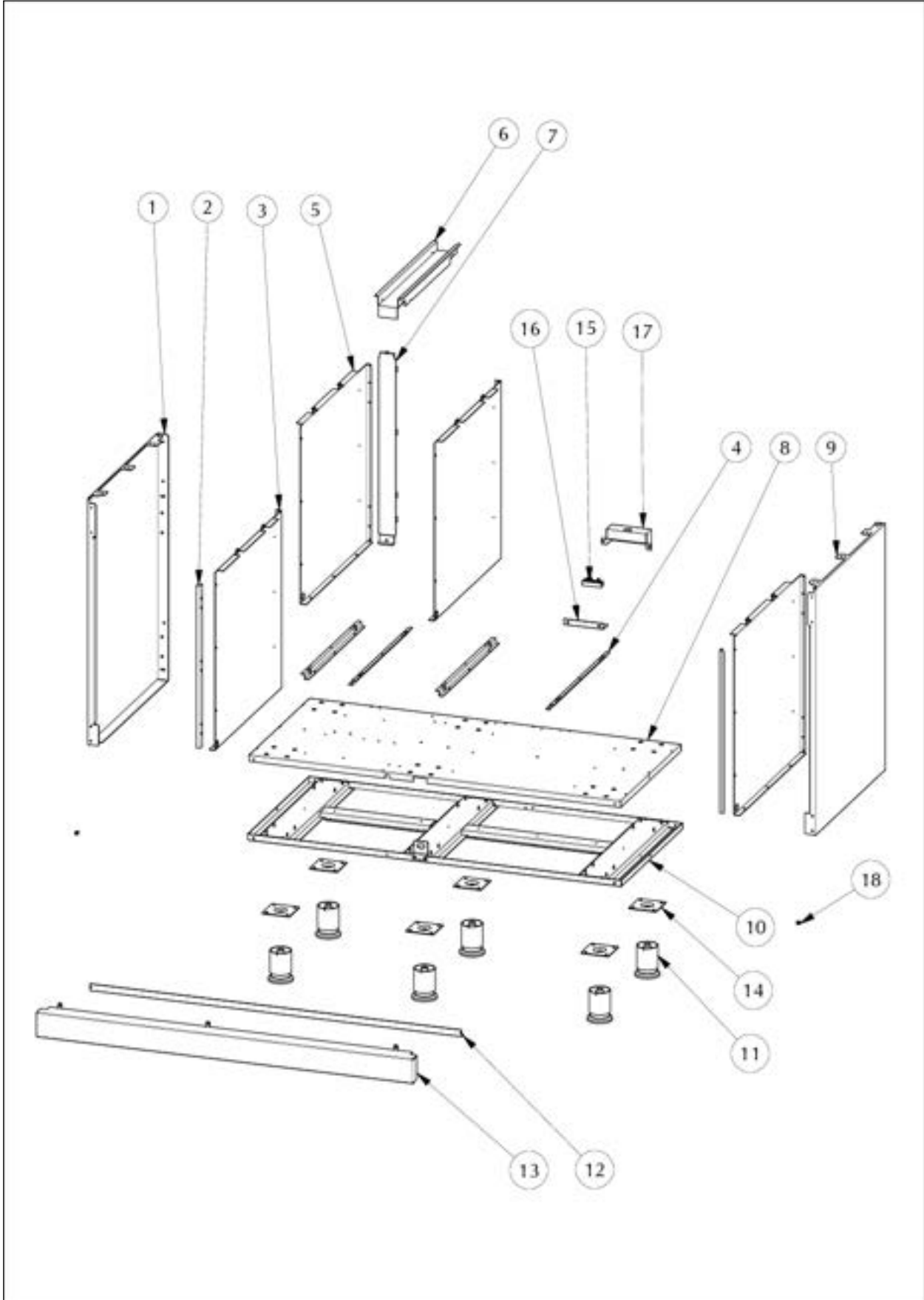


Item	Part No.	Name	Qty	Uom	NOTES
1	007705-000	COVER, INSIDE BACK, VGSC 18"	1	EA	
2	008611-000	OVEN CAVITY, 48 LH PORC ASM	1	EA	
3	068653-601	LIGHT, 120V/25W, G9, HALOGEN, SIDE	2	EA	
4	068457-000	ASM, BOTTOM, CAVITY OVEN GAS 18" GRAY	1	EA	
Not Shown	NOTE	(INCLUDES HEAT SHIELD)		EA	
5	005529-000	BAKE ORIFICE MOUNTING BRACKET	1	EA	
6	009225-000	BURNER ASM, NAT.	1	EA	
7	B2004415	BURNER BRACKET (VGSC306)	1	EA	
8	023093-000	FRONT FRAME, ASSY	1	EA	
9	PB040170	BAKE IGNITION ELECTRODE	1	EA	
10	006192-000	VENT, ASM, OVEN ASSEMBLY	1	EA	
11	PB060030	RACK SUPT REPL PB060010	2	EA	
12	PB060046	OVEN RK VDSC48-LH REPL PB060023	2	EA	
Not Shown	NOTE	(BEFORE 12/20/12)		EA	
12	065783-000	RACK, PRO, W/HDL, 18", VGR	2	EA	
Not Shown	NOTE	(ON OR AFTER 12/20/12)		EA	
13	007205-000	BURNER PAN ASM	1	EA	Not available online / Call for pricing and availability
14	E2109638	BRACKET, HINGE RECPT RH	2	EA	NOT FIELD REPLACEABLE, Not available online / Call for pricing and availability
15	E21012644	BRACKET, HINGE RECPT LH	1	EA	Not available online / Call for pricing and availability
16	006050-000	BRACKET, FR, FRONT	3	EA	
17	007259-000	SHIM - NLA	2	EA	
18	007278-000	ARM HINGE CLIP	2	EA	



Item	Part No.	Name	Qty	Uom	NOTES
Not Shown	NOTE	(BEFORE 01/02/13)		EA	
18	049718-402	CLIP, RETAINER, HINGE, GLOSS BLACK ENAMEL	2	EA	
Not Shown	NOTE	(AFTER 01/02/13)		EA	
NI	023943-000	KIT,FRNT FRAME, BRNR BRKT, DOOR BRKT ASM	1	EA	
NI	018022-000	CAPSULE LAMP G9 25W 230V	2	EA	

LOWER UNIT AND SIDE PANEL





Item	Part No.	Name	Qty	Uom	NOTES
1	003588-000	SIDE PANEL, LH, SS	1	EA	
Not Shown	NOTE	(BEFORE 06/13/12)		EA	
1	019123-000	PANEL, SIDE, LEFT, SS	1	EA	
Not Shown	NOTE	(ON OR AFTER 06/13/12)		EA	
1	005505-002	PANEL, SIDE, DECARB, RH, BK	1	EA	
Not Shown	NOTE	(BEFORE 06/13/12)		EA	
1	021310-002	PANEL, SIDE, LEFT- CRS BK	1	EA	
Not Shown	NOTE	(ON OR AFTER 06/13/12)		EA	
1	005505-005	PANEL, SIDE, DECARB, RH, GG	1	EA	
Not Shown	NOTE	(BEFORE 06/13/12)		EA	
1	021310-005	PANEL, SIDE, LEFT- CRS GG	1	EA	
Not Shown	NOTE	(ON OR AFTER 06/13/12)		EA	
1	005505-006	PANEL, SIDE, DECARB, RH, WH	1	EA	NO LONGER AVAILABLE
Not Shown	NOTE	(BEFORE 06/13/12)		EA	
1	021310-006	PANEL, SIDE, LEFT- CRS WH	1	EA	
Not Shown	NOTE	(ON OR AFTER 06/13/12)		EA	
1	005505-008	PANEL, SIDE, DECARB, RH, BU	1	EA	
Not Shown	NOTE	(BEFORE 06/13/12)		EA	
1	021310-008	PANEL, SIDE, LEFT- CRS BU	1	EA	
Not Shown	NOTE	(ON OR AFTER 06/13/12)		EA	
1	005505-013	PANEL, SIDE, DECARB, RH, CB	1	EA	
Not Shown	NOTE	(BEFORE 06/13/12)		EA	
1	021310-013	PANEL, SIDE, LEFT- CRS CB	1	EA	
Not Shown	NOTE	(ON OR AFTER 06/13/12)		EA	
1	005505-024	PANEL, SIDE, DECARB, RH, AR	1	EA	
Not Shown	NOTE	(BEFORE 06/13/12)		EA	



Item	Part No.	Name	Qty	Uom	NOTES
1	021310-024	PANEL, SIDE, LEFT- CRS AR	1	EA	
Not Shown	NOTE	(ON OR AFTER 06/13/12)		EA	
2	005536-000	TRIM	2	EA	
3	004482-000	INSULATION, PNL, SIDE, LH	2	EA	
4	A2004429	OVEN BOTTOM INSUL. BRACE (VGSC306)	4	EA	
5	004479-000	INSULATION, PNL, SIDE, RH	2	EA	
6	008638-000	OVEN DIVIDER	1	EA	
7	009820-000	TRIM, CTR, GAS 48" ASM	1	EA	
8	007193-000	BASE TOP PLATE	1	EA	
9	002905-000	SIDE PANEL, RH, SST	1	EA	
Not Shown	NOTE	(BEFORE 06/13/12)		EA	
9	019124-000	PANEL, SIDE, RIGHT	1	EA	
Not Shown	NOTE	(ON OR AFTER 06/13/12)		EA	
9	004645-002	SIDE PANEL, RH ASSY, PAINTED BK	1	EA	
Not Shown	NOTE	(BEFORE 06/13/12)		EA	
9	021309-002	PANEL, SIDE, RIGHT- CRS BK	1	EA	
Not Shown	NOTE	(ON OR AFTER 06/13/12)		EA	
9	004645-005	SIDE PANEL, RH ASSY, PAINTED GG	1	EA	
Not Shown	NOTE	(BEFORE 06/13/12)		EA	
9	021309-005	PANEL, SIDE, RIGHT- CRS GG	1	EA	
Not Shown	NOTE	(ON OR AFTER 06/13/12)		EA	
9	004645-006	SIDE PANEL, RH ASSY, PAINTED WH	1	EA	
Not Shown	NOTE	(BEFORE 06/13/12)		EA	
9	021309-006	PANEL, SIDE, RIGHT- CRS WH	1	EA	
Not Shown	NOTE	(ON OR AFTER 06/13/12)		EA	
9	004645-008	SIDE PANEL, RH ASSY, PAINTED BU	1	EA	

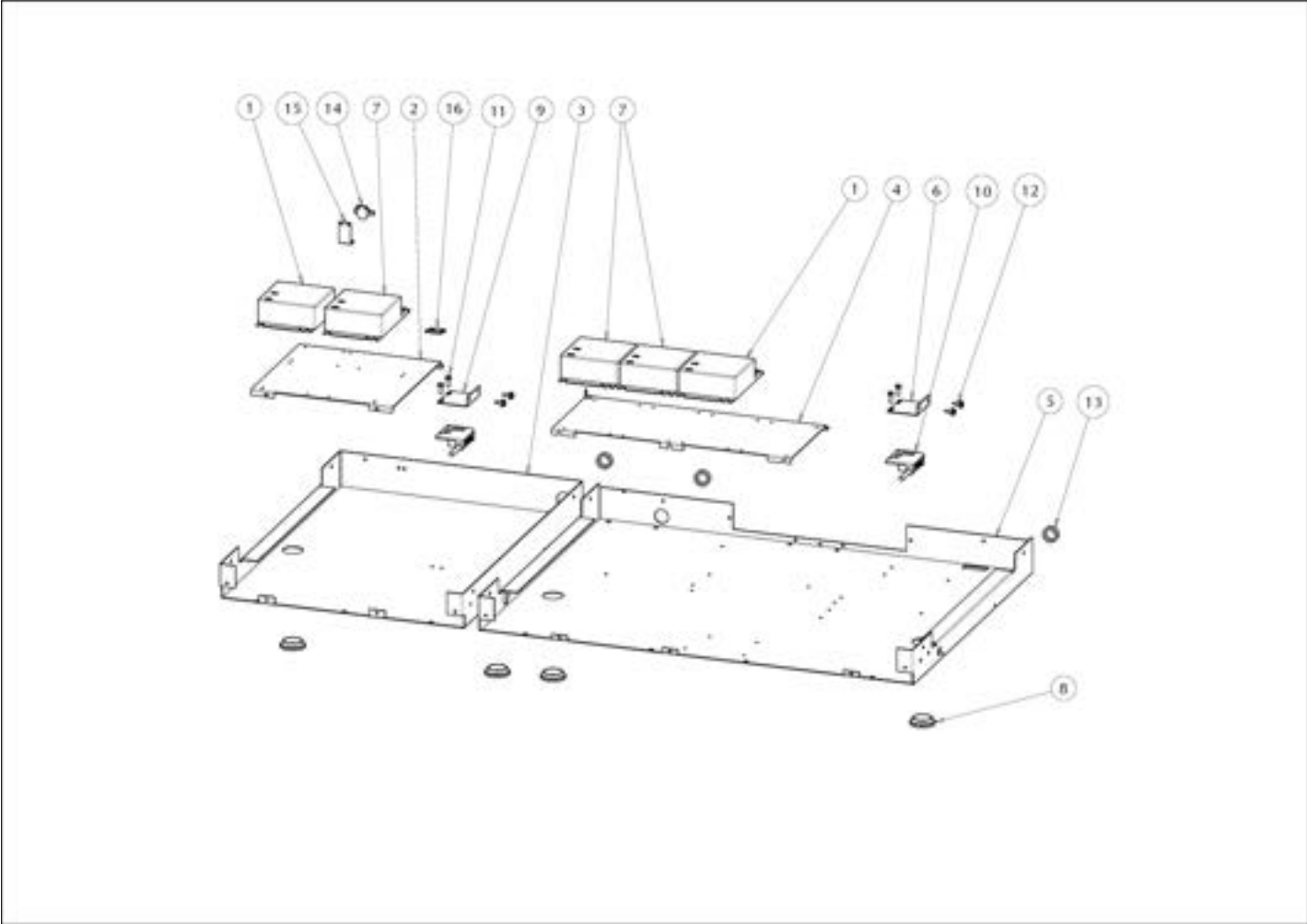


Item	Part No.	Name	Qty	Uom	NOTES
Not Shown	NOTE	(BEFORE 06/13/12)		EA	
9	021309-008	PANEL, SIDE, RIGHT- CRS BU	1	EA	
Not Shown	NOTE	(ON OR AFTER 06/13/12)		EA	
9	004645-013	SIDE PANEL, RH ASSY, PAINTED CB	1	EA	
Not Shown	NOTE	(BEFORE 06/13/12)		EA	
9	021309-013	PANEL, SIDE, RIGHT- CRS CB	1	EA	
Not Shown	NOTE	(ON OR AFTER 06/13/12)		EA	
9	004645-024	SIDE PANEL, RH ASSY, PAINTED AR	1	EA	
Not Shown	NOTE	(BEFORE 06/13/12)		EA	
9	021309-024	PANEL, SIDE, RIGHT- CRS AR	1	EA	
Not Shown	NOTE	(ON OR AFTER 06/13/12)		EA	
10	024942-000	BASE, BOT, 48" GAS	1	EA	
11	044178-000	RANGE, LEG, ADJUSTABLE	6	EA	
12	009280-000	SPACER, BOT, 48" GAS RANGES	1	EA	
13	009568-000	KICKPLATE, RNG, SST, VDSC 48"	1	EA	
Not Shown	NOTE	(BEFORE 06/14/12)		EA	
13	035828-000	KICKPLATE, 60, GAS SST	1	EA	
Not Shown	NOTE	(FROM 06/14/12 THRU 06/14/13)		EA	
13	038605-000	KICKPLATE, RNG	1	EA	
Not Shown	NOTE	(ON OR AFTER 06/14/13)		EA	
13	009630-002	KICKPLATE, RNG, BK	1	EA	
Not Shown	NOTE	(BEFORE 06/14/13)		EA	
13	038606-002	KICKPLATE, RNG, DCBZ BK	1	EA	
Not Shown	NOTE	(ON OR AFTER 06/14/13)		EA	
13	009630-005	KICKPLATE, RNG - GG	1	EA	



Item	Part No.	Name	Qty	Uom	NOTES
Not Shown	NOTE	(BEFORE 06/14/13)		EA	
13	038606-005	KICKPLATE, RNG, DCBZ GG	1	EA	
Not Shown	NOTE	(ON OR AFTER 06/14/13)		EA	
13	009630-006	KICKPLATE, RANGE - WH	1	EA	
Not Shown	NOTE	(BEFORE 06/14/13)		EA	
13	038606-006	KICKPLATE, RNG, DCBZ WH	1	EA	
Not Shown	NOTE	(ON OR AFTER 06/14/13)		EA	
13	009630-008	KICKPLATE, VGSC548, BU	1	EA	
Not Shown	NOTE	(BEFORE 06/14/13)		EA	
13	038606-008	KICKPLATE, RNG, DCBZ BU	1	EA	
Not Shown	NOTE	(ON OR AFTER 06/14/13)		EA	
13	009630-013	KICKPLATE, RNG CB	1	EA	
Not Shown	NOTE	(BEFORE 06/14/13)		EA	
13	038606-013	KICKPLATE, RNG, DCBZ CB	1	EA	
Not Shown	NOTE	(ON OR AFTER 06/14/13)		EA	
13	009630-024	KICKPLATE, RANGE - AR	1	EA	
Not Shown	NOTE	(BEFORE 06/14/13)		EA	
13	038606-024	KICKPLATE, RNG, DCBZ AR	1	EA	
Not Shown	NOTE	(ON OR AFTER 06/14/13)		EA	
14	PC030007	LEG PLATE - 3/4" THREADED HOLE	6	EA	
15	PE050001	TERMINAL BOARD	1	EA	
16	007484-000	TERMINAL, BLOCK, BRACKET	1	EA	
17	006945-000	COVER, TERM, BLOCK	1	EA	
18	003801-000	SHOULDER SCREW, #10	1	EA	
NI	PE070207	SUPPLY CORD (EUROPEAN)	1	EA	NO LONGER AVAILABLE, Not available online / Call for pricing and availability

OVEN ELECTRONICS



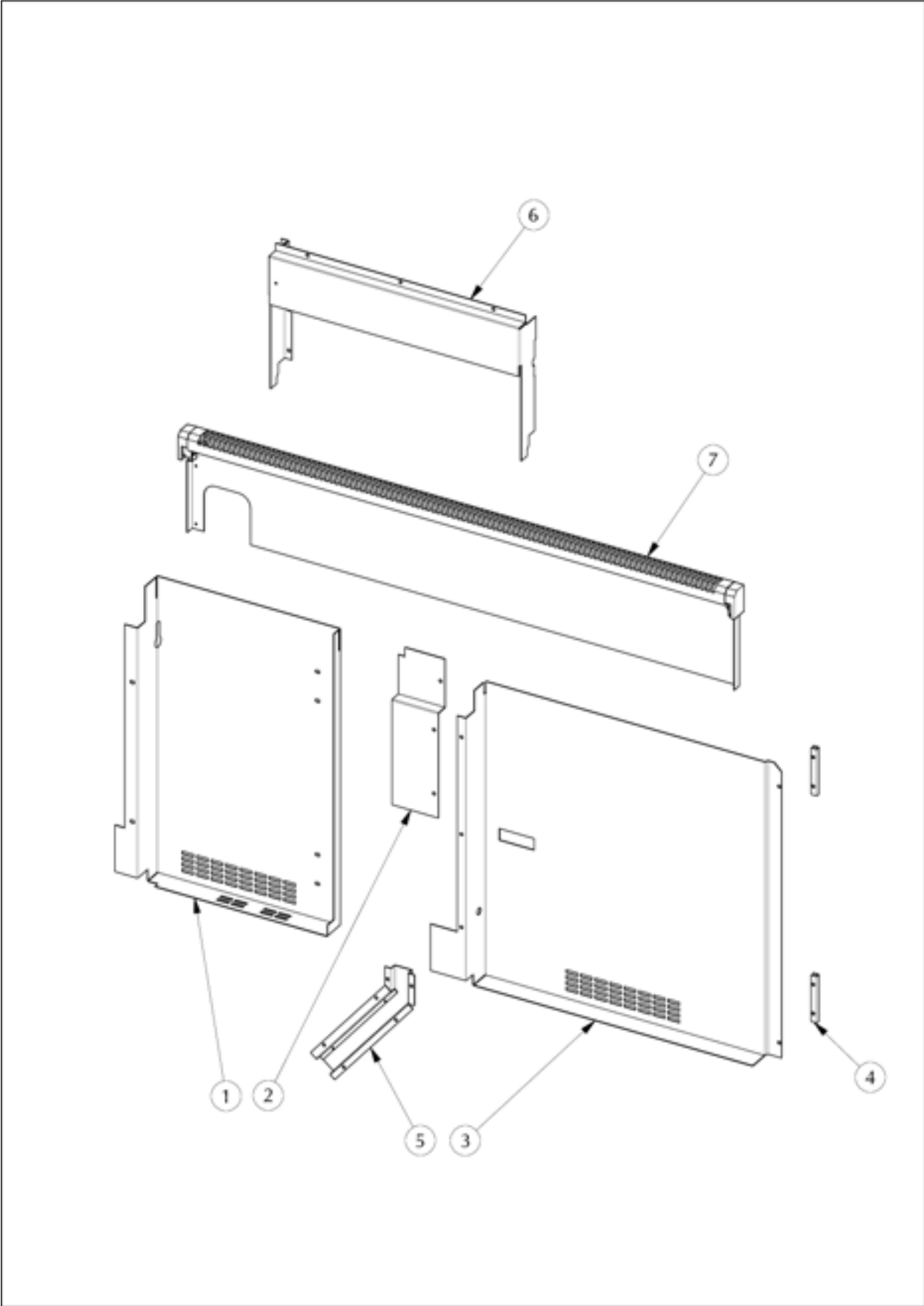


Item	Part No.	Name	Qty	Uom	NOTES
1	027348-000	DSI RETROFIT SERVICE KIT P1- NLA SEE BULLETIN TC- 0063D-SP	2	EA	
Comments for Part Num. 027348-000					
gboltz@VikingRange.com on Jan 20, 2017 See service bulletin TC-0063D-SP					
Not Shown	NOTE	(Before January 2011)		EA	
1	018610-000	DSI230-2-LVS-C OVEN	2	EA	Not available online / Call for pricing and availability
Not Shown	NOTE	(After January 2011)		EA	
2	008011-000	36" ELECTRONIC PLATE	1	EA	
3	007374-000	TOP, LH CAB, VGSC 48"	1	EA	
4	005315-000	TRAY, ELEX, 30", GSC	1	EA	
5	004628-000	TOP, CAB	1	EA	
6	A20012649	DOOR SWITCH BRACKET	1	EA	
7	NA YET	CONVERSION KIT TO 018609- 000 DSI MODULE	3	EA	
Not Shown	NOTE	(BEFORE 12/03/2010)		EA	
7	042721-507	DSI230 SHORT PURGE ASSY	3	EA	
Not Shown	NOTE	(AFTER 12/03/2010)		EA	
8	PB070079	SILICONE EXTRUSION (DGSU)	4	EA	Not available online / Call for pricing and availability
9	A20012649	DOOR SWITCH BRACKET	2	EA	Not available online / Call for pricing and availability
10	PE050208	DOOR SWITCH	2	EA	Not available online / Call for pricing and availability
11	PD020060	10 X 1/2 (5/16)HEX WSHER HD.(T)A	4	EA	Not available online / Call for pricing and availability



Item	Part No.	Name	Qty	Uom	NOTES
12	003860-000	10-18 X .500 FASTNR,SCR,HXWH,STL,ZPLT	4	EA	Not available online / Call for pricing and availability
13	PD040005	SNAP BUSHING, 7/8	3	EA	Not available online / Call for pricing and availability
14	PJ030039	BI-METAL THERMOSTAT 275 DEGREES	1	EA	
15	A20014089	DISC BRACKET	1	EA	
16	008012-000	BOARD CLIP	1	EA	

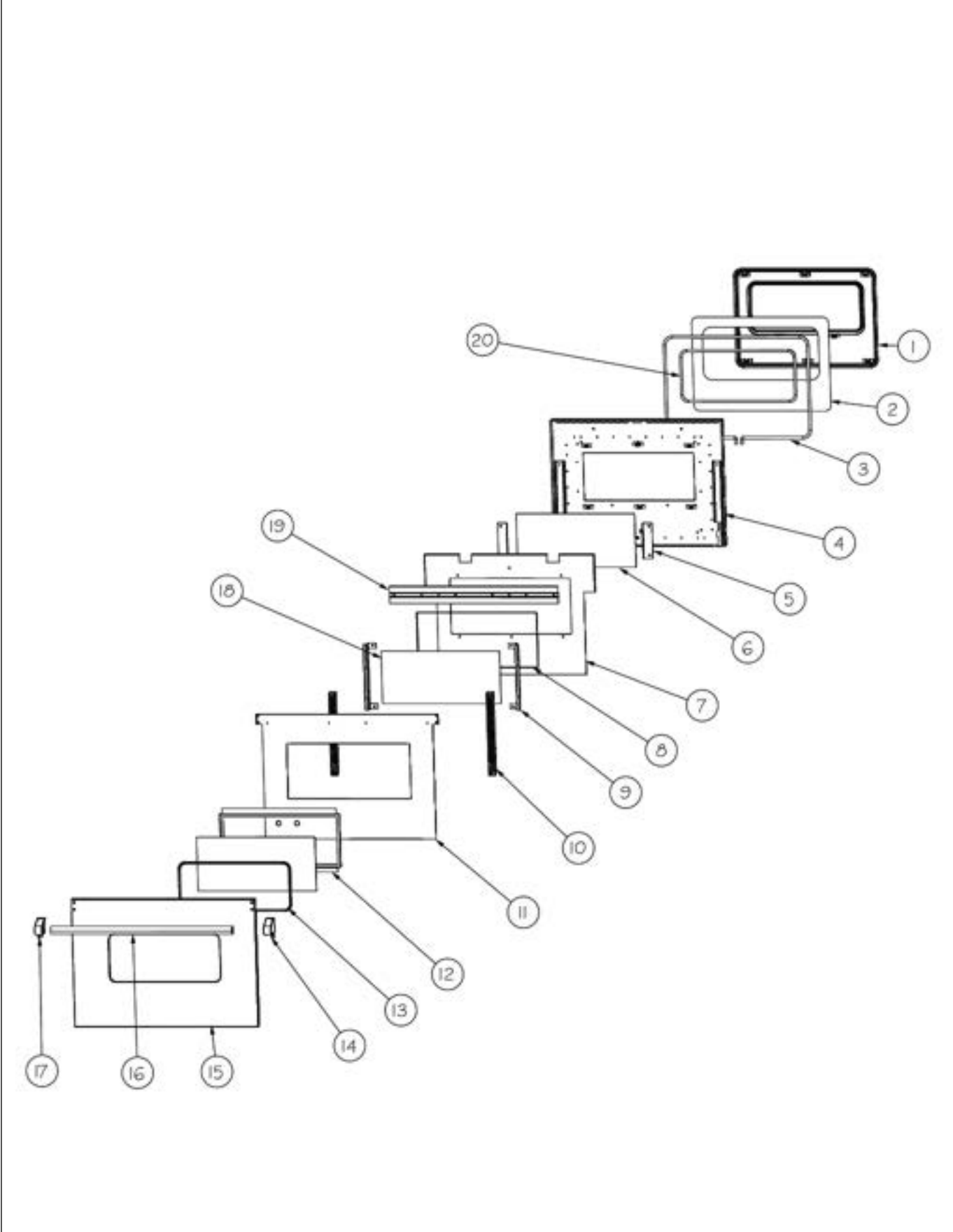
REAR SHEET METAL





Item	Part No.	Name	Qty	Uom	NOTES
1	007701-000	COVER, 18" BACK VGSC	1	EA	
2	006962-000	COVER, INL, BACK	1	EA	
3	004625-000	PANEL, BACK, OUTER, 30"	1	EA	
4	006744-000	STANDOFF, CAB, VGSC	2	EA	Not available online / Call for pricing and availability
5	006949-000	DUCT, AIR, ASM	1	EA	
6	006961-000	BACK COLLAR	1	EA	
7	041509-000	TRIM, IS, ASSY, 48"	1	EA	

RH DOOR ASSY



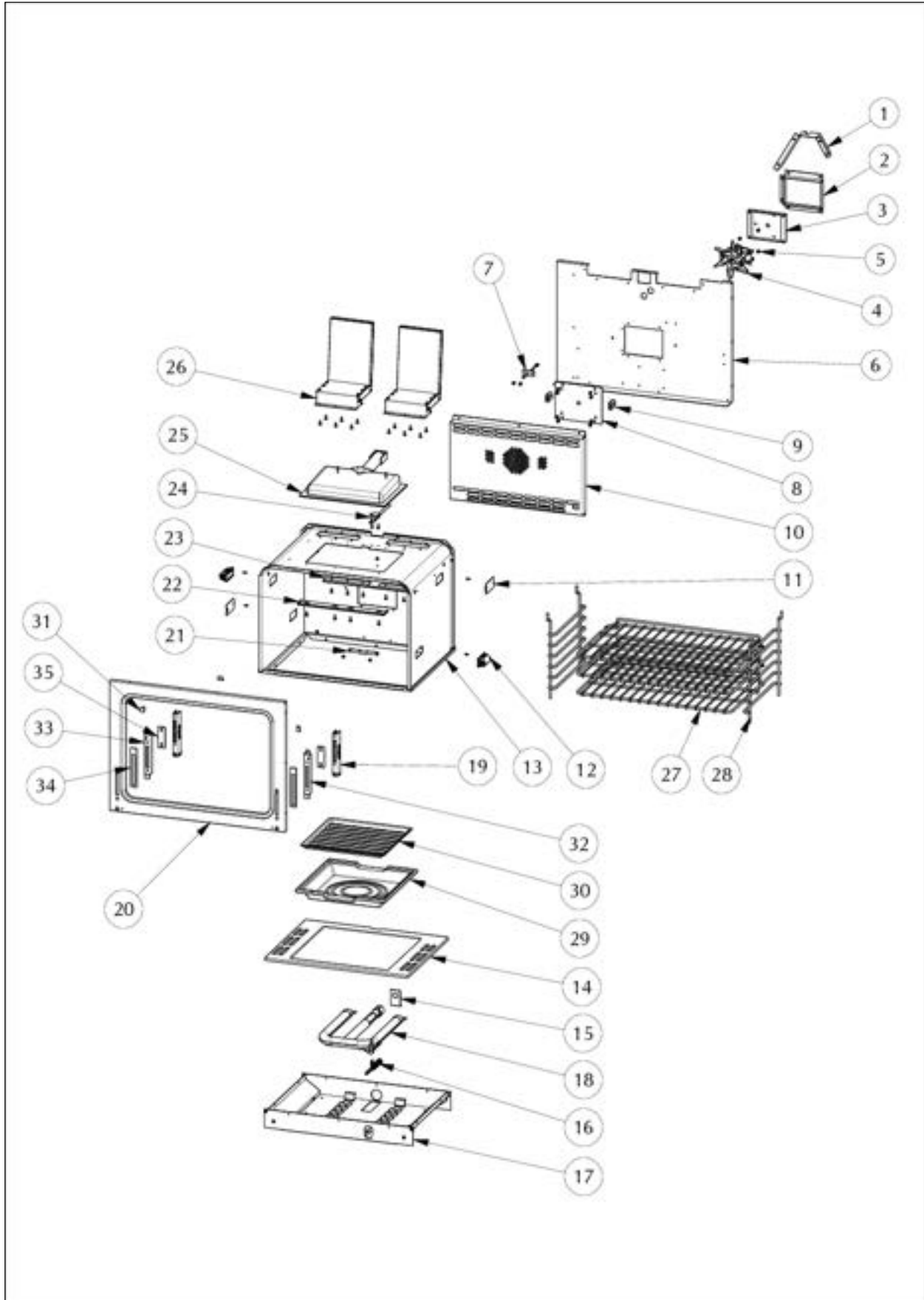


Item	Part No.	Name	Qty	Uom	NOTES
1	001142-000	PLUG, DOOR, ASM, PORCELAIN	1	EA	NO LONGER AVAILABLE
Comments for Part Num. 001142-000					
bradleysapplianceservice@shaw.ca on Nov 2, 2015					
001142-000 PLUG, DOOR, ASM, PORCELAIN (GREY WITH WHITE SPECS) OLD STYLE					
001142-402 PLUG, DOOR, ASM, PORCELAIN BK (BLACK LINER) NEW STYLE					
2	002560-000	DOOR PLUG INSULATION	1	EA	
3	000042-000	30" DOOR GASKET	1	EA	
4	004691-000	DOOR LINER ASSY	1	EA	NO LONGER AVAILABLE
Comments for Part Num. 004691-000					
profixappliances@gmail.com on Dec 29, 2017					
004691-000 IS SPECKLED FINISH, FOR ALL BLACK FINISH ORDER 004691-402.					
5	A2002189	DOOR GLASS STANDOFF (VDSC)	2	EA	
6	PE060039	GLASS-HEAT TREATED (HB2) VDSC	2	EA	
7	004688-000	DOOR PANEL INSULATION LINER	1	EA	
8	007583-000	BRACKET, GLASS	1	EA	
9	004687-000	WDO BRACKET	1	EA	
10	002740-000	DOOR HINGE	2	EA	See TC-0121- SP Service Bulletin
11	004684-000	PANEL, DOOR, INSULATION, GSC	1	EA	
12	NOT FIELD REPLACEABLE	FRAME, GLASS, ALUMINUM	1	EA	
Not Shown	NOTE	(MUST ORDER ITEM 15)		EA	
13	NOT FIELD REPLACEABLE	J-MOLD (LARGE WINDOW)	1	EA	
Not Shown	NOTE	(MUST ORDER ITEM 15)		EA	
14	003012-000	DOOR HANDLE ENDCAP ASSY, RH (CHROME)	1	EA	
14	003012-100	DOOR HANDLE ENDCAP ASSY, RH (BRASS) - NLA	1	EA	



Item	Part No.	Name	Qty	Uom	NOTES
Comments for Part Num. 003012-100					
parts@lvdistributes.com on Apr 23, 2018 number 16 brass end cap should be number 15					
15	023649-000	48" DOOR SKIN SRV KIT, RH SS	1	EA	
15	020032-002	48" DOOR SKIN SRV KIT RH, BK	1	EA	
15	020032-005	48" DOOR SKIN SRV KIT, RH GG	1	EA	
15	020032-006	48" DOOR SKIN SRV KIT, RH WH	1	EA	
15	020032-008	48" DOOR SKIN SRV KIT, RH BU	1	EA	
15	020032-013	48" DOOR SKIN SRV KIT, RH CB	1	EA	
15	020032-024	48" DOOR SKIN SRV KIT, RH AR	1	EA	
16	002728-000	DOOR HANDLE - SS, 1.25" 29.5	1	EA	
17	003011-000	DOOR HANDLE ENDCAP ASSY, LH (CHROME)	1	EA	
17	003011-100	DOOR HANDLE ENDCAP ASSY, LH (BRASS)	1	EA	
18	NOT FIELD REPLACEABLE	RACK SUPT REPL PB060010	1	EA	
Not Shown	NOTE	(MUST ORDER ITEM 15)		EA	
19	006553-000	DOOR BRACKET, WELD ASSY	1	EA	
20	000594-000	BLACK FIBERGLASS ROPE 3/8"	1	EA	
NI	006468-000	DOOR ASSEMBLY - SS (INCLUDES ITEMS 1 - 12)	1	EA	NO LONGER AVAILABLE
Comments for Part Num. 006468-000					
bradleysapplianceservice@shaw.ca on Nov 2, 2015 006468-402 DOOR ASSY, SS VGCC530 BK (BLACK LINER) NEW STYLE 006468-000 DOOR ASSY, SS VGCC530 (GREY WITH WHITE SPEC LINER) OLD STYLE					

RH OVEN CAVITY





Item	Part No.	Name	Qty	Uom	NOTES
1	006946-000	SHIELD, BRL, EXHAUST	1	EA	Not available online / Call for pricing and availability
2	A2008467	INSULATION SHIELD	1	EA	
3	A2002595	CONVECTION FAN BOX (VDSC)	1	EA	
4	PE050057	CONVECTION FAN (VGSC306)	1	EA	
4	027009-000	CONVECTION FAN MOTOR	1	EA	
Not Shown	NOTE	(230V Convection Fan Motor 027009-000 after (date NA yet)		EA	
5	PD020048	NO.10 X 1/2 TEK 410 SS SCREW	41	EA	
6	004626-000	PANEL, BACK, INSULATION, 30"	1	EA	Not available online / Call for pricing and availability
7	PE050206	RTD THERMOSTAT PROBE	1	EA	
8	A1002596	CONVECTION FAN COVER (VDSC)	1	EA	
9	A2001361	BACK SPACER (VGSC/VGSS)	2	EA	
10	01225-000	CONVECTION FAN COVER ASSY (VGSC306)	1	EA	Not available online / Call for pricing and availability
11	E91012614	LIGHT HOLE COVER	2	EA	
12	068653-601	LIGHT, 120V/25W, G9, HALOGEN, SIDE	2	EA	
13	005047-000	OVEN CAVITY WELD	1	EA	Not available online / Call for pricing and availability
14	068456-000	ASM, BOTTOM, CAVITY, OVEN, GAS, 30", GRAY	1	EA	
Not Shown	NOTE	(INCLUDES HEAT SHIELD)	1	EA	
15	005529-000	BAKE ORIFICE MOUNTING BRACKET	1	EA	
16	PB040170	BAKE IGNITION ELECTRODE	1	EA	
17	005102-000	BURNER PAN ASSEMBLY	1	EA	
18	005329-000	BURNER, OVEN, ASM	1	EA	
19	031679-000	RECEPTACLE, HINGE	2	EA	
20	005373-000	30" FRONT FRAME WELD ASSY	1	EA	

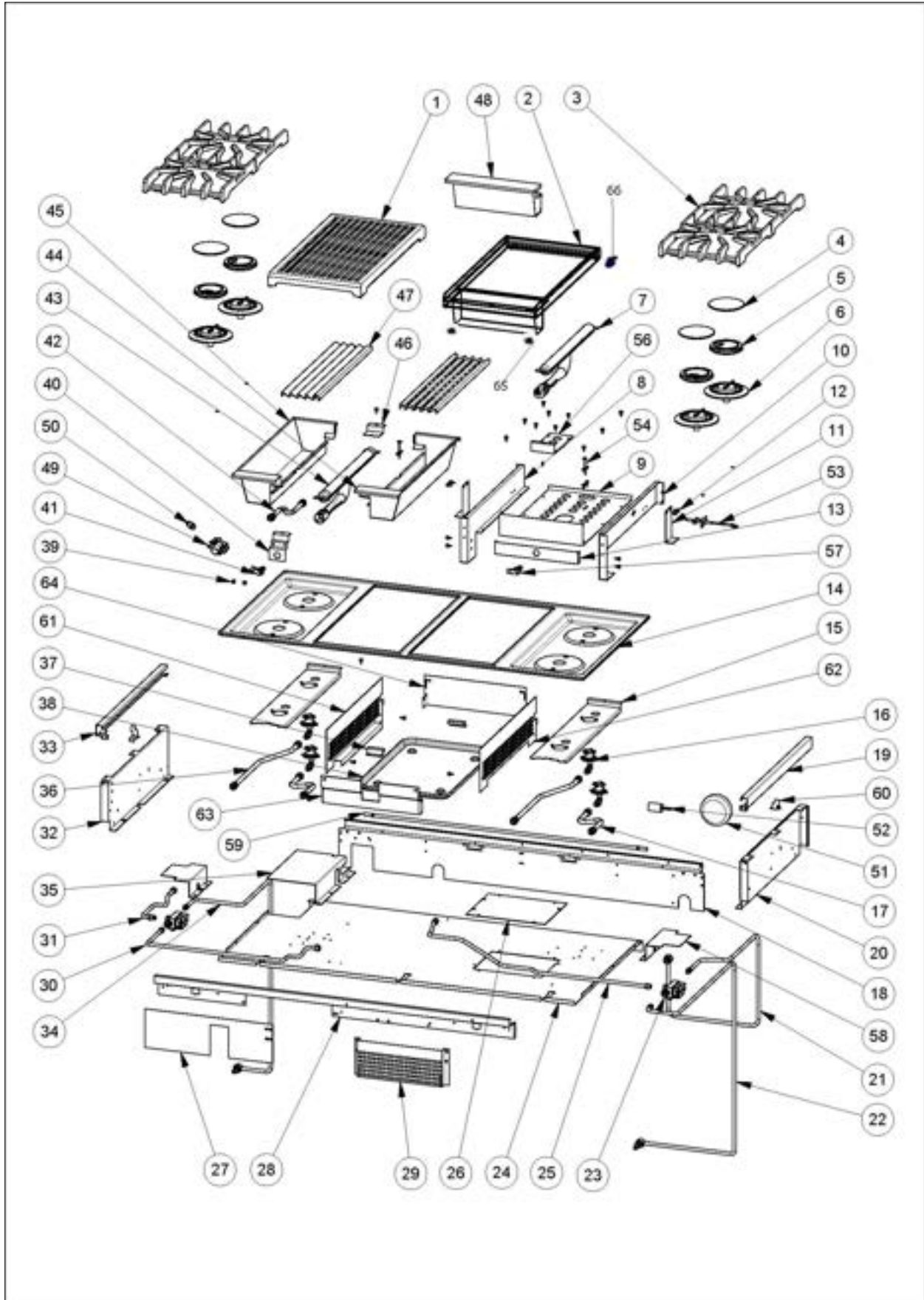


Item	Part No.	Name	Qty	Uom	NOTES
21	A2004428	REAR BOTTOM BRCKT (VGSC306)	1	EA	
22	B2001448	IR BROIL SUPT (FRONT)	1	EA	
23	B2005589	REAR BROILER BRACKET	1	EA	Not available online / Call for pricing and availability
24	PB040171	BROIL IGNITION ELECTRODE	1	EA	
25	G3001876	IR BURNER ASSY (VGSC/RC) N/S	1	EA	
26	006192-000	VENT, ASM, OVEN ASSEMBLY	2	EA	
27	PB060044	OVEN RK VDSC30/48RH REPL PB060019	3	EA	
Not Shown	NOTE	(BEFORE 12/20/12)		EA	
27	065467-000	RACK, PRO, W/HDL, 30"	1	EA	
Not Shown	NOTE	(ON OR AFTER 12/20/12)		EA	
NI	065730-000	RACK, GLIDE, 30", W/HDL, ASSY	2	EA	
Not Shown	NOTE	(ON OR AFTER 12/20/12)		EA	
28	PB060030	RACK SUPT REPL PB060010	2	EA	
29	E9107933	BROILER PAN	1	EA	
30	E9107934	BROILER PAN INSERT - NLA	1	EA	
NI	018022-000	CAPSULE LAMP G9 25W 230V	2	EA	
31	006050-000	BRACKET, FR, FRONT	3	EA	
32	E2109638	BRACKET, HINGE RECPT RH	1	EA	NOT FIELD REPLACEABLE, Not available online / Call for pricing and availability
33	E21012644	BRACKET, HINGE RECPT LH	1	EA	Not available online / Call for pricing and availability
34	007259-000	SHIM - NLA	2	EA	
35	007278-000	ARM HINGE CLIP	2	EA	
Not Shown	NOTE	(BEFORE 01/02/13)		EA	
35	049718-402	CLIP, RETAINER, HINGE, GLOSS BLACK ENAMEL	2	EA	



Item	Part No.	Name	Qty	Uom	NOTES
Not Shown	NOTE	(AFTER 01/02/13)		EA	

SURFACE COOKING AREA





Item	Part No.	Name	Qty	Uom	NOTES
1	010168-000	CUSTOM RANGE GRILL GRATE	1	EA	
2	057333-000	GRIDDLE, WELD, ASM	1	EA	
3	007323-000	BURNER GRATE	4	EA	
Not Shown	NOTE	(BEFORE 11/21/14)		EA	
3	049420-000	GRATE, BURNER, ASM	4	EA	
Not Shown	NOTE	(ON OR AFTER 11/21/14)		EA	
NI	074892-000	RUBBER FOOT	16	EA	
Not Shown	NOTE	(BEFORE 11/21/14)		EA	
NI	049416-000	BUMBER, GRATE	16	EA	
Not Shown	NOTE	(ON OR AFTER 11/21/14)		EA	
4	066958-000	D BURNER CAP *MATTE BLACK*	4	EA	
5	018200-000	ADJUSTED SEALED BURNER HEAD	4	EA	
6	003322-041	SEALED BURNER BASE, PAINTED FINISH- GRAY	4	EA	
7	018649-000	BURNER ASM, GRIDDLE G20	1	EA	
8	016293-000	GRIDDLE SUPPORT, LEFT	1	EA	
9	016292-000	BURNER BOX BOTTOM, GRILL	1	EA	
10	009097-000	RIGHT GRIDDLE SUPPORT, 36"	1	EA	Not available online / Call for pricing and availability
11	010649-000	FOOT, GRIDDLE BOX , VG536-4G	2	EA	
12	003860-000	10-18 x .500 FASTNR,SCR,HXWH,STL,ZPLT	22	EA	
13	006783-000	GRIDDLE BRKT, ORIFICE, CUSTOM RANGES	1	EA	
14	E9109803BK	48" SEALED COOKTOP 4BGQ *BK*	1	EA	
15	002923-000	BURNER MODULE SUPPORT	2	EA	
16	066197-041	18500 BTU NAT JETHOLDER	1	EA	
16	066197-042	15000 BTU NAT JETHOLDER	3	EA	
Not Shown	NOTE	(For correct orifice, see chart)		EA	



Item	Part No.	Name	Qty	Uom	NOTES
17	PB020192	10" FLEX TUBING W/CONNECTORS	2	EA	
18	008609-000	SUPPORT, BACK	1	EA	
19	002920-000	TOP TRIM RING, RH	1	EA	
20	011077-000	SHIELD, HEAT, GRIDDLE, RH	1	EA	
21	012899-000	TUBING, VALVE TO BROIL ASM	1	EA	
Not Shown	NOTE	(For correct orifice, see chart)		EA	
22	011545-000	TUBING, MAIN, 48" OVEN ASSY	1	EA	
Not Shown	NOTE	(For correct orifice, see chart)		EA	
23	009112-000	VALVE, SOL, DOUBLE	2	EA	
24	008450-000	PANEL, CTR	1	EA	
25	011570-000	TUBING, VALVE TO VALVE ASSY	1	EA	
26	009268-000	PLATE, SHORT FAN COVER	1	EA	
27	018104-001	CE HEAT SHIELD	1	EA	Not available online / Call for pricing and availability
28	008461-000	SUPPORT, FRONT	1	EA	
29	018000-000	GRIDDLE PROTECTION SHIELD	1	EA	
30	011563-000	TUBING, BNR, 48" VALVE ASSY	1	EA	Not available online / Call for pricing and availability
31	011602-000	TUBING, VALVE TO MANIFOLD ASSY	1	EA	
32	016295-000	SIDE, GRILL BOX, RH	1	EA	
33	003649-000	TOP TRIM RING, LH	1	EA	
34	009821-000	TUBING, 18" OVEN ASSY	1	EA	
Not Shown	NOTE	(For correct orifice, see chart)		EA	
35	012965-000	COVER, SOL, LRG	1	EA	
36	PB020193	16" FLEX TUBING W/CONNECTORS	2	EA	
37	008286-000	BRACKET, DRIP, PAN, CUSTOM, Q-MODELS	2	EA	
38	J2101749	GREASE PAN	1	EA	

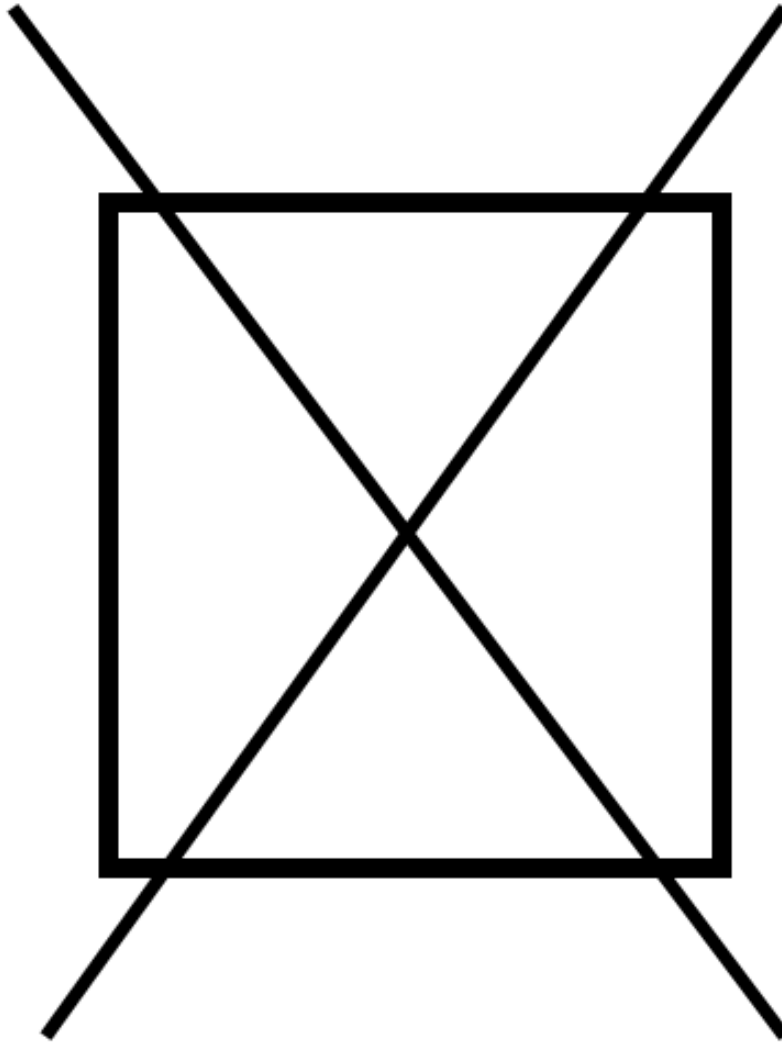


Item	Part No.	Name	Qty	Uom	NOTES
39	PD020046	' #8 X 1/2 SCREWS	4	EA	
40	007776-000	MOUNT, GRILL, BURNER, FRONT	1	EA	
41	PB040238	90 DEGREE ORIFICE FITTING, NAT #47	1	EA	
42	PB020126	3/8" S.S. FLEX TUBING 15" (DGCU)	1	EA	
43	018650-000	BURNER ASM, GRILL G20	1	EA	
44	013593-000	PAN, DRIP, ASM, RIGHT	1	EA	
45	013595-000	PAN, DRIP, ASM, LEFT	1	EA	
46	008636-000	BRACKET, BURNER, GRILL, REAR	1	EA	
47	072628-402	GRILL SMOKE GENERATOR	2	EA	
48	023133-000	TROUGH, GRIDDLE, ASM	1	EA	
49	018102-000	VALVE. SOL. SINGLE SGV-111- 2020-S	1	EA	
50	018028-000	ADAPTOR 5/8 x 9/16	1	EA	
51	018201-000	TRANSFO 160VA (AMPL- 3N1756)	1	EA	
52	PJ030038	EMC FILTER	1	EA	
53	007008-000	RTD PROBE	1	EA	
54	PA020028	SPARK IGNITER	2	EA	
55	013408-000	SUPPLY, 12V, 5W, RECOM, 1 CON	1	EA	
56	006785-000	GRIDDLE, BOX, VENTURI, COVER	1	EA	
57	PB040190	90 DEGREE ORIFICE FITTING #50 NAT	1	EA	
Not Shown	NOTE	(For correct orifice, see chart)		EA	
58	007815-000	SHIELD, HEAT, SOLENOID	2	EA	
59	PB020112	3/8 SS FLEX TUBING - 36" T6- 36	1	EA	
60	004021-000	SUPPORT, TRIM, SIDE	2	EA	
61	016792-000	SHIELD, HEAT, LH, Q MODELS	1	EA	
62	016793-000	SHIELD, HEAT, RH, Q MODELS	1	EA	
63	016796-000	SHIELD, HEAT, FR, Q MODELS	1	EA	
64	016794-000	SHIELD, HEAT, REAR, Q MODELS	1	EA	



Item	Part No.	Name	Qty	Uom	NOTES
65	PD040035	GROMMET-SPIDER GRATE (VGSU)	2	EA	
66	024940-000	COVER, CRNR	2	EA	

NON
ILLUSTRATED PART





Item	Part No.	Name	Qty	Uom	NOTES
NI	00911-000	WIRE, ASSY, BAKE IGNITOR	4	EA	Not available online / Call for pricing and availability
NI	009473-000	HARNESS, CONTROL 48" LH	1	EA	
NI	007298-000	BAKE IGNITOR WIRE, ASM	3	EA	
Not Shown	NOTE	(BEFORE 12/29/10)		EA	
NI	024606-000	WIRE, BAKE, ELECTRODE, ASM	3	EA	
Not Shown	NOTE	(ON OR AFTER 12/29/10)		EA	
NI	024605-000	WIRE, BRL, ELECTRODE, ASM	1	EA	
NI	026098-000	HARNESS, WIRE 48" RH	1	EA	
NI	009475-000	GRIDDLE RTD HARNESS	1	EA	
NI	009476-000	HARNESS, POWER, 48"	1	EA	
Not Shown	NOTE	(BEFORE 12/29/10)		EA	
NI	009474-000	HARNESS, MAIN, 48 LH	1	EA	
Not Shown	NOTE	(BEFORE 12/29/10)		EA	
NI	025993-000	HARNESS, MAIN 48" L.H.	1	EA	
Not Shown	NOTE	(ON OR AFTER 12/29/10)		EA	
NI	036196-000	CONTROL PANEL HARNESS, VGCC548-4GQ/6G	1	EA	
NI	G400936	GROUND WIRE	2	EA	Not available online / Call for pricing and availability
NI	PE070209	STRAIN RELIEF	1	EA	Not available online / Call for pricing and availability
NI	PE070207	SUPPLY CORD (EUROPEAN)	1	EA	NO LONGER AVAILABLE, Not available online / Call for pricing and availability
NI	018018-000	CE WIRE HARNESS -1	1	EA	
NI	018019-000	CE WIRE HARNESS -2	2	EA	
NI	018632-000	WIRE, IGNITOR, 38	1	EA	
NI	009479-000	HARNESS, MAIN	1	EA	



Item	Part No.	Name	Qty	Uom	NOTES
Not Shown	NOTE	(BEFORE 12/29/10)		EA	
NI	025994-000	HARNESS, 48" VGCC	1	EA	
Not Shown	NOTE	(ON OR AFTER 12/29/10)		EA	
NI	PE070892	IRIS HARNESS - 60"	1	EA	
Not Shown	NOTE	(BEFORE 12/29/10)		EA	
NI	001911-000	WIRE, ASSY, BAKE IGNITOR	1	EA	
Not Shown	NOTE	(BEFORE 12/29/10)		EA	
NI	024607-000	WIRE, GRDL, ELECTRODE, ASM	1	EA	
Not Shown	NOTE	(ON OR AFTER 12/29/10)		EA	



Appendix A:Pages Index

CONTROL AREA 1
LH DOOR ASSY 2
LH OVEN CAVITY 3
LOWER UNIT AND SIDE PANEL 4
OVEN ELECTRONICS 5
REAR SHEET METAL 6
RH DOOR ASSY 7
RH OVEN CAVITY 8
SURFACE COOKING AREA 9
UNIT WIRING 10



Appendix B:Parts Index

000042-000	7	005102-000	8
000080-000	2	005269-000	1
000594-000	2, 2, 7	005315-000	5
000943-000	2	005329-000	8
001142-000	7	005373-000	8
001911-000	10	005505-002	4
002560-000	7	005505-005	4
002728-000	7	005505-006	4
002740-000	7	005505-008	4
002905-000	4	005505-013	4
002920-000	9	005505-024	4
002923-000	9	005529-000	3, 8
003011-000	2, 7	005536-000	4
003011-100	7	006050-000	3, 8
003012-000	2, 7	006192-000	3, 8
003012-100	7	006220-000	2
003322-041	9	006221-000	2
003588-000	4	006225-000	2
003649-000	9	006355-000	1
003719-000	1	006424-000	1
003801-000	4	006468-000	7
003860-000	9	006553-000	7
003860-000ÃÃ	5	006744-000	6
004021-000	9	006783-000	9
004479-000	4	006785-000	9
004482-000	4	006945-000	1, 4
004625-000	6	006946-000	8
004626-000	8	006949-000	6
004628-000	5	006961-000	6
004645-002	4	006962-000	6
004645-005	4	007008-000	9
004645-006	4	007147-000	1
004645-008	4	007193-000	4
004645-013	4	007202-000	2
004645-024	4	007203-000	2
004684-000	7	007205-000	3
004687-000	7	007221-000	2
004688-000	7	007222-000	2
004691-000	7	007241-002	2, 2
005047-000	8	007241-003	2, 2
		007241-004	2, 2



007241-005	2, 2	008450-000	9
007241-006	2, 2	008461-000	9
007241-007	2, 2	008609-000	9
007241-008	2, 2	008611-000	3
007241-009	2, 2	008636-000	9
007241-010	2, 2	008638-000	4
007241-011	2, 2	009097-000	9
007241-012	2, 2	00911-000	10
007241-013	2, 2	009112-000	9
007241-014	2, 2	009225-000	3
007241-015	2, 2	009268-000	9
007241-016	2, 2	009280-000	4
007241-017	2, 2	009473-000	10
007241-018	2, 2	009474-000	10
007241-019	2, 2	009475-000	10
007241-020	2, 2	009476-000	10
007241-021	2, 2	009479-000	10
007241-022	2, 2	009568-000	4
007241-023	2, 2	009574-000	1
007241-024	2, 2	009630-002	4
007241-025	2, 2	009630-005	4
007241-026	2, 2	009630-006	4
007241-027	2, 2	009630-008	4
007243-000	2	009630-013	4
007243-100	2	009630-024	4
007259-000	3, 8	009818-000	2
007278-000	3, 8	009820-000	4
007298-000	10	009821-000	9
007323-000	9	009830-000	2
007374-000	5	010168-000	9
007484-000	4	010649-000	9
007583-000	7	011077-000	9
007701-000	6	011545-000	9
007705-000	3	011563-000	9
007776-000	9	011570-000	9
007815-000	9	011602-000	9
008011-000	5	01225-000	8
008012-000	5	012795-000	1
008276-000	2	012899-000	9
008286-000	9	012965-000	9
008336-000	2	013053-000	1



013057-000	1	020038-003	2
013213-000	1	020038-004	2
013320-000	1	020038-005	2
013408-000	1, 9	020038-006	2
013583-000	1	020038-007	2
013593-000	9	020038-008	2
013595-000	9	020038-009	2
014328-000	1	020038-010	2
016292-000	9	020038-011	2
016293-000	9	020038-012	2
016295-000	9	020038-013	2
016792-000	9	020038-014	2
016793-000	9	020038-015	2
016794-000	9	020038-016	2
016796-000	9	020038-017	2
018000-000	9	020038-018	2
018018-000	1, 10	020038-019	2
018019-000	1, 1, 10	020038-020	2
018022-000	3, 8	020038-021	2
018028-000	9	020038-022	2
018033-000	1	020038-023	2
018102-000	9	020038-024	2
018104-001	9	020038-025	2
018200-000	9	020038-026	2
018201-000	9	020038-027	2
018605-000	1	020038-102	2
018610-000	5	020038-103	2
018627-000	1	020038-104	2
018630-000	1	020038-105	2
018632-000	10	020038-106	2
018649-000	9	020038-107	2
018650-000	9	020038-108	2
019123-000	4	020038-109	2
019124-000	4	020038-110	2
020032-002	7	020038-111	2
020032-005	7	020038-112	2
020032-006	7	020038-113	2
020032-008	7	020038-114	2
020032-013	7	020038-115	2
020032-024	7	020038-116	2
020038-002	2	020038-117	2



020038-118	2	038606-002	4
020038-119	2	038606-005	4
020038-120	2	038606-006	4
020038-121	2	038606-008	4
020038-122	2	038606-013	4
020038-123	2	038606-024	4
020038-124	2	041509-000	6
020038-125	2	042195-2111	1
020038-126	2	042721-507	5
020038-127	2	044178-000	4
020437-000	2	049416-000	9
021309-002	4	049420-000	9
021309-005	4	049718-402	3, 8
021309-006	4	057333-000	9
021309-008	4	065467-000	8
021309-013	4	065730-000	8
021309-024	4	065783-000	3
021310-002	4	066197-041	9
021310-005	4	066197-042	9
021310-006	4	066958-000	9
021310-008	4	068456-000	8
021310-013	4	068457-000	3
021310-024	4	068653-601	3, 8
023093-000	3	072628-402	9
023133-000	9	074892-000	9
023649-000	7	A1002596	8
023943-000	3	A20012649	5
024605-000	10	A20012649ÃÃ ÃÃ	5
024606-000	10	A2001361	8
024607-000	10	A20014089	5
024940-000	9	A2002189	7
024942-000	4	A2002595	8
025993-000	10	A2004428	8
025994-000	10	A2004429	4
026098-000	10	A2008467	8
027009-000	8	A21014003	2
027348-000	5	B2001448	8
031679-000	8	B2004415	3
035828-000	4	B2005589	8
036196-000	10	E21012644	3, 8
038605-000	4	E2109638	3, 8



E91012614	8	PE060032	2
E9107933	8	PE060039	7
E9107934	8	PE060046	2
E9109803BK	9	PE060049	2
G3001876	8	PE070207	4, 10
G400936	10	PE070209	10
J2101749	9	PE070892	10
M0104106	1	PJ030038	9
PA020028	9	PJ030039	5
PB010304	1		
PB020112	9		
PB020126	9		
PB020192	9		
PB020193	9		
PB040170	3, 8		
PB040171	8		
PB040190	9		
PB040238	9		
PB060030	3, 8		
PB060044	8		
PB060046	3		
PB070079	5		
PB070145	2, 2		
PC030007	4		
PD010012	1		
PD020032	1		
PD020046	9		
PD020048	8		
PD020060	5		
PD030006	2		
PD040004	1		
PD040005	5		
PD040035	9		
PD040106	1		
PE010030	2		
PE050001	4		
PE050023	1		
PE050024	1		
PE050057	8		
PE050206	8		
PE050208	5		