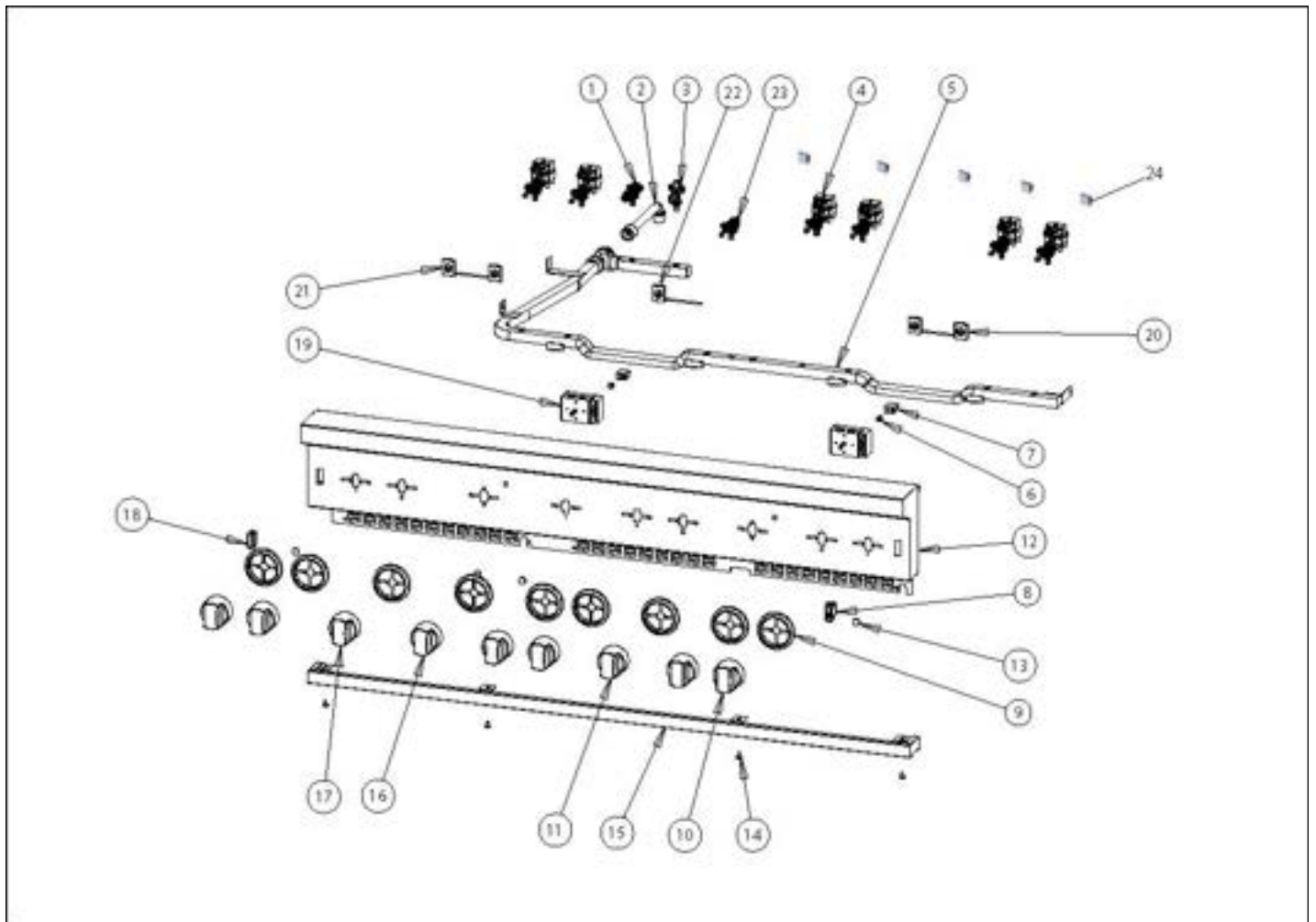


EVGCC548-6Q

| | |
|---------------------------------|----|
| CONTROL AREA | 1 |
| LH DOOR ASSY | 2 |
| LH OVEN CAVITY | 3 |
| LOWER UNIT AND SIDE PANEL | 4 |
| OVEN ELECTRONICS | 5 |
| REAR SHEET METAL | 6 |
| RH DOOR ASSY | 7 |
| RH OVEN CAVITY | 8 |
| SURFACE COOKING AREA | 9 |
| UNIT WIRING | 10 |
| Appendix A:Pages Index | A |
| Appendix B:Parts Index | B |

CONTROL AREA



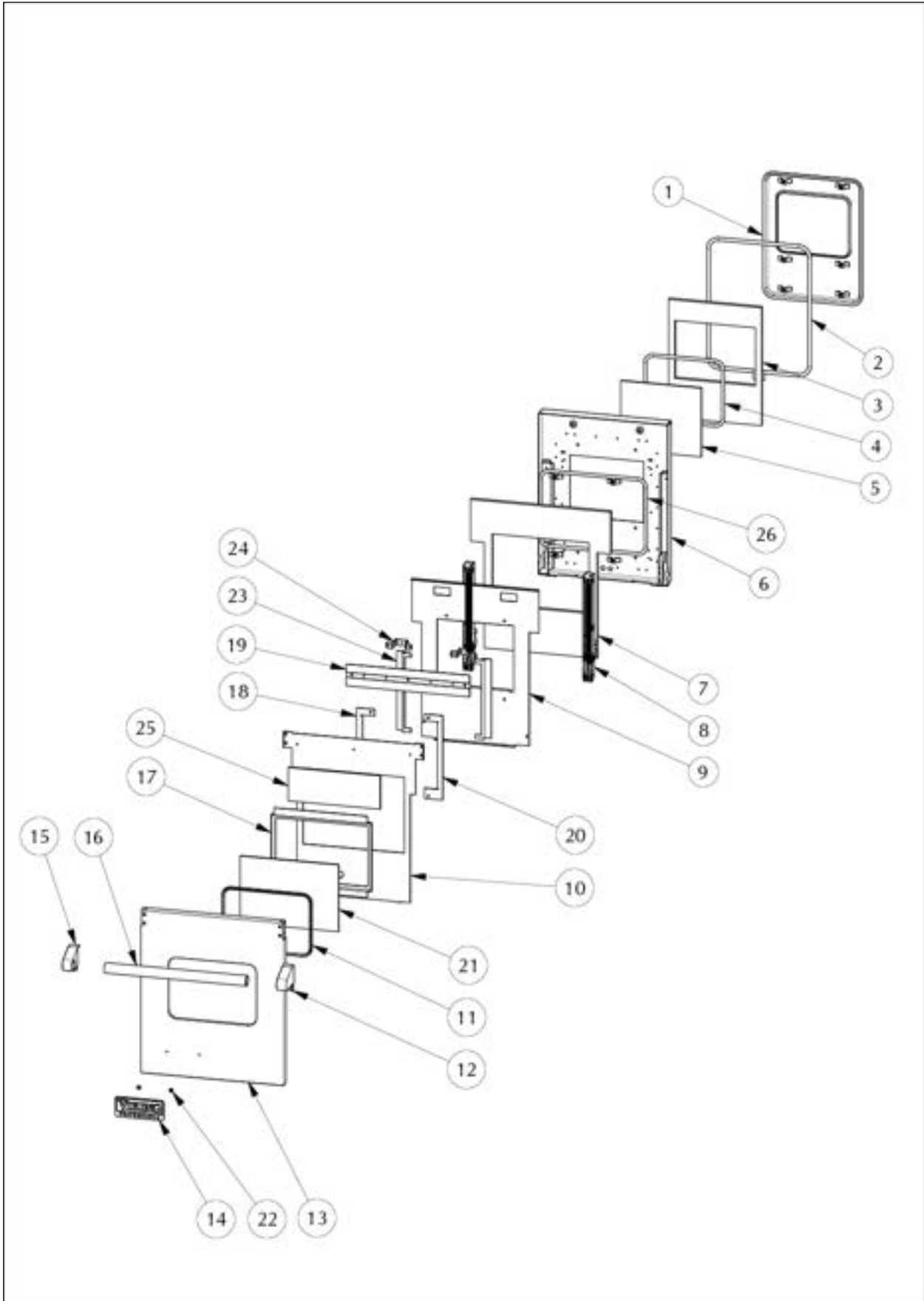


| Item | Part No. | Name | Qty | Uom | NOTES |
|--|------------|------------------------------------|-----|-----|--|
| 1 | 013320-000 | VALVE, SHUTOFF, 90 DEGREE | 2 | EA | |
| 2 | 018033-000 | GAS TUBE 135MM | 1 | EA | Not available online / Call for pricing and availability |
| NI | 018627-000 | COUPLING, 1/2" NPT/14 TPI | 1 | EA | |
| NI | 018630-000 | NIPPLE 4" | 1 | EA | Not available online / Call for pricing and availability |
| NI | PD040106 | 1/2" NPT-BSP ADAPTER | 1 | EA | |
| 3 | 007147-000 | SHUT OFF VALVE | 1 | EA | |
| 4 | 018605-000 | VALVE & SOLENOID ASM | 6 | EA | |
| 5 | 012794-000 | MANIFOLD,ASM,48" 8B/6Q | 1 | EA | |
| 6 | PE050023 | OVEN IND. LIGHT (LENS & BEZEL) | 3 | EA | NO LONGER AVAILABLE |
| 7 | PE050024 | OVEN IND. LIGHT (LIGHT HOUSING) | 3 | EA | |
| <p>Comments for Part Num. PE050024</p> <p>haarnink@vikingrange.com on Jan 14, 2019 please not that the indicator light is now part 043135-000 but needs the Jumper harness 051443-000. and second option there are units in the field with a 230V indicator light part number 036566-000.</p> <p>please check this for all "E" module ranges/Tops ksturm@vikingrange.com on Apr 22, 2019 please not that the indicator light is now part 043135-000 but needs the Jumper harness 051443-000. and second option there are units in the field with a 230V indicator light part number 036566-000.</p> <p>please check this for all "E" module ranges/Tops</p> | | | | | |
| 8 | 006355-000 | SPLASHPROOF ROCKER SWITCH | 1 | EA | |
| 9 | PB010304 | KNOB BEZEL | 9 | EA | |
| 10 | 005269-000 | RANGE TOP BURNER KNOB-BRUSHED, SSS | 6 | EA | |
| 11 | 013053-000 | THERMOSTAT KNOB EVGCC *SS* | 1 | EA | |
| 12 | 009086-000 | PANEL, CTRL, VGCC548-6Q ASM | 1 | EA | Not available online / Call for pricing and availability |



| Item | Part No. | Name | Qty | Uom | NOTES |
|-----------|------------|---|-----|-----|-------|
| Not Shown | NOTE | (MUST ORDER ITEM 24 WHEN REPLACING CONTROL PANEL) | | EA | |
| 13 | PD040004 | GROMMET BUMPER | 4 | EA | |
| 14 | PD020032 | SRW-8(A)X3/8"PH.WFR HD 7/16DIA*NICL | 4 | EA | |
| 15 | 006424-000 | HANDLE, DRIP, ASM, SST, VDSC548 | 1 | EA | |
| 16 | 006574-000 | KNOB, GRL, ASM, PVD, #3, SSS | 1 | EA | |
| 17 | 013057-000 | GRIDDLE KNOB EVDSC/ EVGSC/ CC *SS* | 1 | EA | |
| 18 | 003719-000 | OVEN LIGHT SWITCH, BLACK | 1 | EA | |
| 19 | 013213-000 | TSTAT, SMPS, ELEC, 2-POS, .91" SHAFT, CB | 2 | EA | |
| 20 | 018019-000 | CE WIRE HARNESS -2 | 2 | EA | |
| 21 | 018018-000 | CE WIRE HARNESS -1 | 1 | EA | |
| 22 | 018019-000 | CE WIRE HARNESS -2 | 1 | EA | |
| 23 | 013583-000 | VALVE, GRL, ASM, BRS, ISPHORDING | 1 | EA | |
| NI | PD010012 | VALVE BOLT 1/4-20 UNC-2B 5/16" M.S. | 9 | EA | |
| 24 | M0104106 | CLIP-CORD VM0104106 | 5 | EA | |

LH DOOR ASSY





| Item | Part No. | Name | Qty | Uom | NOTES |
|------|------------|---|-----|-----|--|
| 1 | 000943-000 | PLUG, DOOR, WELD 48 LH | 1 | EA | |
| 2 | 000080-000 | 48" LH DOOR GASKET | 1 | EA | |
| 3 | PB070145 | SUPERWOOL 5" X 24" X 3' | 1 | EA | |
| 4 | 000594-000 | BLACK FIBERGLASS ROPE 3/8" | 1 | EA | |
| 5 | PE060032 | GLASS (HEAT BARRIER) LH DF48DOOR | 2 | EA | |
| 6 | 007221-000 | LINER, DOOR, WELD ASM (Before 12/20/2012) | 1 | EA | |
| 7 | PB070145 | SUPERWOOL 5" X 24" X 3' | 1 | EA | |
| 8 | 008276-000 | HINGE, DOOR | 2 | EA | |
| 9 | 007202-000 | DOOR, INNER HEAT SINK, VGCC/SC 48" LH | 1 | EA | |
| 10 | 007222-000 | PANEL, INSL, DOORSKIN, VGSC 18" | 1 | EA | |
| 11 | PE060046 | J-MOLD LH SS (DF48 DOOR) | 1 | EA | |
| 12 | 003012-000 | DOOR HANDLE ENDCAP ASSY, RH (CHROME) | 1 | EA | |
| 13 | 007203-000 | SKIN, LH DOOR, VGSC 48" | 1 | EA | NO LONGER AVAILABLE |
| 13 | 020038-002 | LH DOOR SKIN KIT SRV, VGSC548 BK | 1 | EA | |
| 13 | 020038-003 | LH DOOR SKIN KIT SRV, VGSC548 BT | 1 | EA | |
| 13 | 020038-004 | LH DOOR SKIN KIT SRV, VGSC548 SG | 1 | EA | |
| 13 | 020038-005 | LH DOOR SKIN KIT SRV, VGSC548 GG | 1 | EA | |
| 13 | 020038-006 | LH DOOR SKIN KIT SRV, VGSC548 WH | 1 | EA | |
| 13 | 020038-007 | LH SVC DOOR SKIN KIT AL | 1 | EA | Not available online / Call for pricing and availability |
| 13 | 020038-008 | LH DOOR SKIN KIT SRV, VGSC548 BU | 1 | EA | |
| 13 | 020038-009 | LH DOOR SKIN KIT SRV, VGSC548 LE | 1 | EA | |
| 13 | 020038-010 | LH DOOR SKIN KIT SRV, VGSC548 MJ | 1 | EA | |
| 13 | 020038-011 | LH SVC DOOR SKIN KIT FG | 1 | EA | Not available online / Call for pricing and availability |



| Item | Part No. | Name | Qty | Uom | NOTES |
|------|------------|---|-----|-----|---|
| 13 | 020038-012 | LH DOOR SKIN KIT SRV, VGSC548 VB | 1 | EA | |
| 13 | 020038-013 | LH DOOR SKIN KIT SRV, VGSC548 CB | 1 | EA | |
| 13 | 020038-014 | LH SVC DOOR SKIN KIT EP | 1 | EA | Not available online / Call for pricing and availability |
| 13 | 020038-015 | LH DOOR SKIN KIT SRV, VGSC548 PL | 1 | EA | |
| 13 | 020038-016 | LH DOOR SKIN KIT SRV, VGSC548 CH | 1 | EA | NO LONGER AVAILABLE |
| 13 | 020038-017 | LH DOOR SKIN KIT SRV, VGSC548 TP | 1 | EA | |
| 13 | 020038-018 | LH DOOR SKIN KIT SRV, VGSC548 CW NLA | 1 | EA | |
| 13 | 020038-019 | LH DOOR SKIN KIT SRV, VGSC548 OG | 1 | EA | |
| 13 | 020038-020 | LH DOOR SKIN KIT SRV, VGSC548 GM | 1 | EA | |
| 13 | 020038-021 | LH DOOR SKIN KIT SRV, VGSC548 SA | 1 | EA | |
| 13 | 020038-022 | LH DOOR SKIN KIT SRV, VGSC548 SE | 1 | EA | |
| 13 | 020038-023 | LH DOOR SKIN KIT SRV, VGSC548 IB | 1 | EA | |
| 13 | 020038-024 | LH DOOR SKIN KIT SRV, VGSC548 AR | 1 | EA | |
| 13 | 020038-025 | LH DOOR SKIN KIT SRV, VGSC548 RR | 1 | EA | Not available online / Call for pricing and availability |
| 13 | 020038-026 | LH DOOR SKIN KIT SRV, VGSC548 PM | 1 | EA | |
| 13 | 020038-027 | LH DOOR SKIN KIT SRV, VGSC548 MS | 1 | EA | |
| 13 | 020038-102 | LH SVC DOOR SKIN KIT BKBR | 1 | EA | Not available online / Call for pricing and availability |
| 13 | 020038-103 | LH SVC DOOR SKIN KIT BTBR | 1 | EA | Not available online / Call for pricing and availability |



| Item | Part No. | Name | Qty | Uom | NOTES |
|------|------------|---------------------------|-----|-----|--|
| 13 | 020038-104 | LH SVC DOOR SKIN KIT SGBR | 1 | EA | Not available online / Call for pricing and availability |
| 13 | 020038-105 | LH SVC DOOR SKIN KIT GGBR | 1 | EA | Not available online / Call for pricing and availability |
| 13 | 020038-106 | LH SVC DOOR SKIN KIT WHBR | 1 | EA | Not available online / Call for pricing and availability |
| 13 | 020038-107 | LH SVC DOOR SKIN KIT ALBR | 1 | EA | Not available online / Call for pricing and availability |
| 13 | 020038-108 | LH SVC DOOR SKIN KIT BUBR | 1 | EA | Not available online / Call for pricing and availability |
| 13 | 020038-109 | LH SVC DOOR SKIN KIT LEBR | 1 | EA | Not available online / Call for pricing and availability |
| 13 | 020038-110 | LH SVC DOOR SKIN KIT MJBR | 1 | EA | Not available online / Call for pricing and availability |
| 13 | 020038-111 | LH SVC DOOR SKIN KIT FGBR | 1 | EA | Not available online / Call for pricing and availability |
| 13 | 020038-112 | LH SVC DOOR SKIN KIT VBGR | 1 | EA | Not available online / Call for pricing and availability |
| 13 | 020038-113 | LH SVC DOOR SKIN KIT CBGR | 1 | EA | Not available online / Call for pricing and availability |
| 13 | 020038-114 | LH SVC DOOR SKIN KIT EPBR | 1 | EA | Not available online / Call for pricing and availability |
| 13 | 020038-115 | LH SVC DOOR SKIN KIT PLBR | 1 | EA | Not available online / Call for pricing and availability |
| 13 | 020038-116 | LH SVC DOOR SKIN KIT CHBR | 1 | EA | Not available online / Call for pricing and availability |



| Item | Part No. | Name | Qty | Uom | NOTES |
|------|------------|--------------------------------------|-----|-----|--|
| 13 | 020038-117 | LH SVC DOOR SKIN KIT TPBR | 1 | EA | Not available online / Call for pricing and availability |
| 13 | 020038-118 | LH SVC DOOR SKIN KIT CWBR | 1 | EA | Not available online / Call for pricing and availability |
| 13 | 020038-119 | LH SVC DOOR SKIN KIT OGBR | 1 | EA | Not available online / Call for pricing and availability |
| 13 | 020038-120 | LH SVC DOOR SKIN KIT GMBR | 1 | EA | Not available online / Call for pricing and availability |
| 13 | 020038-121 | LH SVC DOOR SKIN KIT SABR | 1 | EA | Not available online / Call for pricing and availability |
| 13 | 020038-122 | LH SVC DOOR SKIN KIT SEBR | 1 | EA | Not available online / Call for pricing and availability |
| 13 | 020038-123 | LH SVC DOOR SKIN KIT IBBR | 1 | EA | Not available online / Call for pricing and availability |
| 13 | 020038-124 | LH SVC DOOR SKIN KIT ARBR | 1 | EA | Not available online / Call for pricing and availability |
| 13 | 020038-125 | LH SVC DOOR SKIN KIT RRBR | 1 | EA | Not available online / Call for pricing and availability |
| 13 | 020038-126 | LH SVC DOOR SKIN KIT PMBR | 1 | EA | Not available online / Call for pricing and availability |
| 13 | 020038-127 | LH SVC DOOR SKIN KIT MSBR | 1 | EA | Not available online / Call for pricing and availability |
| 14 | PE010030 | LOGO 6" (VGRC) *BK* | 1 | EA | |
| 15 | 003011-000 | DOOR HANDLE ENDCAP ASSY, LH (CHROME) | 1 | EA | |
| 16 | 006221-000 | 18" DOOR HANDLE, SST | 1 | EA | |
| 17 | 008336-000 | FRAME, GL | 1 | EA | |
| 18 | 009830-000 | RETAINER, INSL, LH | 1 | EA | |



| Item | Part No. | Name | Qty | Uom | NOTES |
|------|------------|--------------------------------------|-----|-----|--|
| 19 | 006225-000 | BRACKET, DOOR, ASM, MT, VDSC 18" | 1 | EA | |
| 20 | 009818-000 | RETAINER, INSL, RH | 1 | EA | |
| 21 | PE060049 | GLASS LH *TE* DF48DOOR | 1 | EA | |
| 22 | PD030006 | CAPPED WASHER PAL NUT | 2 | EA | |
| 23 | 020437-000 | WINDOW HOLDER | 1 | EA | |
| 24 | A21014003 | DOOR LINER MTG. BRKT. | 2 | EA | |
| 25 | 006220-000 | INSULATION, DOOR, SKIN, TOP, VDSC18" | 1 | EA | |
| 26 | 000594-000 | BLACK FIBERGLASS ROPE 3/8" | 1 | EA | |
| NI | 007243-000 | DOOR ASM, VGCC/SC LH SIDE (18") | 1 | EA | NO LONGER AVAILABLE |
| NI | 007243-100 | DOOR ASM, VGCC/SC548 LH, SSBR - NLA | 1 | EA | |
| NI | 007241-002 | DOOR ASM, VGCC/SC548 LH, BK | 1 | EA | |
| NI | 007241-003 | DOOR ASM, VGCC/SC548 LH, BT | 1 | EA | |
| NI | 007241-004 | DOOR ASM, VGCC/SC548 LH, SG | 1 | EA | |
| NI | 007241-005 | DOOR ASM, VGCC/SC548 LH, GG | 1 | EA | |
| NI | 007241-006 | DOOR ASM, VGCC/SC548 LH, WH | 1 | EA | |
| NI | 007241-007 | DOOR ASM, VGCC/SC548 LH, AL | 1 | EA | Not available online / Call for pricing and availability |
| NI | 007241-008 | DOOR ASM, VGCC/SC548 LH, BU | 1 | EA | |
| NI | 007241-009 | DOOR ASM, VGCC/SC548 LH, LE | 1 | EA | |
| NI | 007241-010 | DOOR ASM, VGCC/SC548 LH, MJ | 1 | EA | |
| NI | 007241-011 | DOOR ASM, VGCC/SC548 LH, FG | 1 | EA | Not available online / Call for pricing and availability |
| NI | 007241-012 | DOOR ASM, VGCC/SC548 LH, VB | 1 | EA | |
| NI | 007241-013 | DOOR ASM, VGCC/SC548 LH, CB | 1 | EA | |

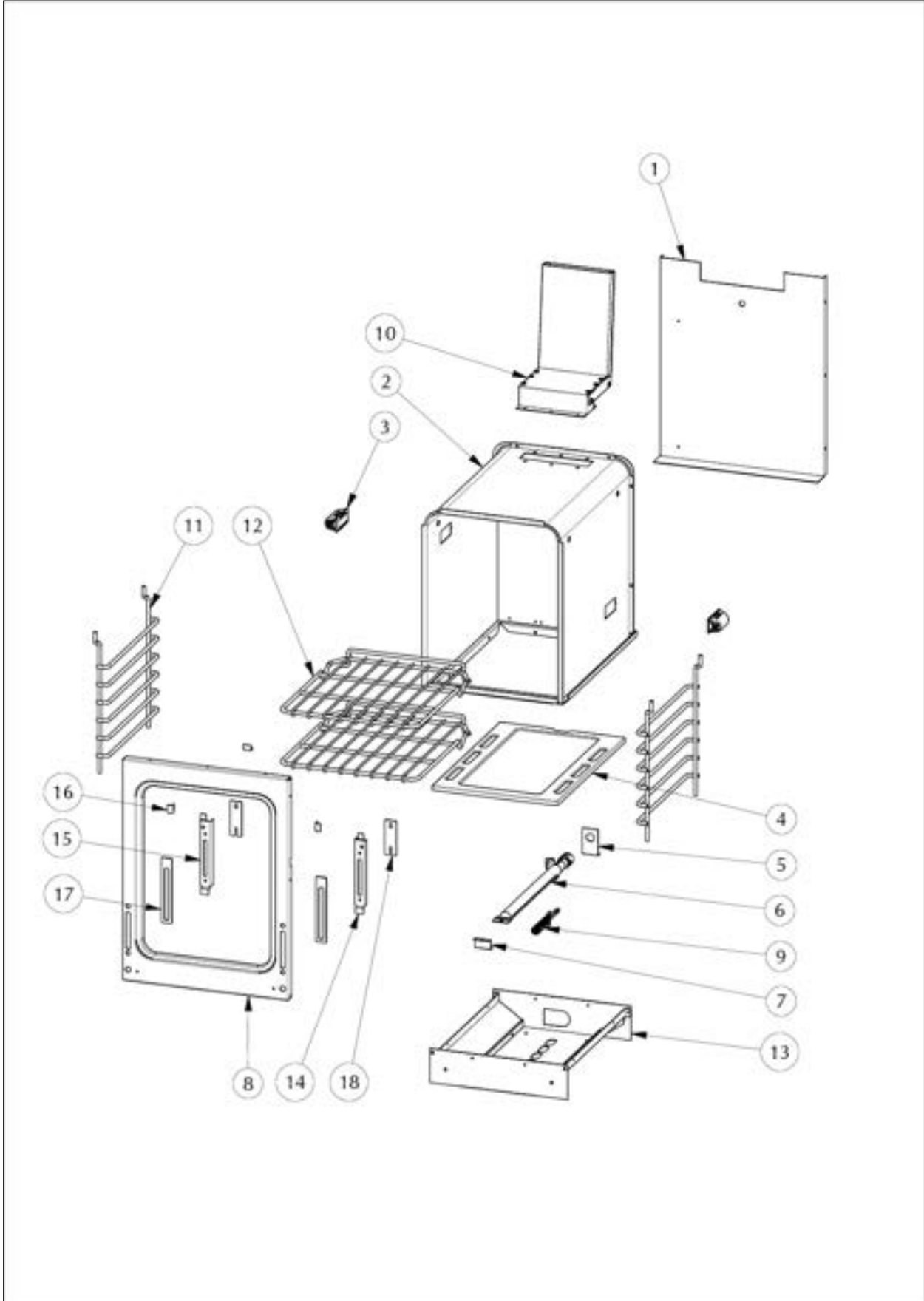


| Item | Part No. | Name | Qty | Uom | NOTES |
|------|------------|---------------------------------|-----|-----|--|
| NI | 007241-014 | DOOR ASM, VGCC/SC548 LH, EP | 1 | EA | Not available online / Call for pricing and availability |
| NI | 007241-015 | DOOR ASM, VGCC/SC548 LH, PL | 1 | EA | |
| NI | 007241-016 | DOOR ASM, VGCC/SC548 LH, CH | 1 | EA | |
| NI | 007241-017 | DOOR ASM, VGCC/SC548 LH, TP | 1 | EA | |
| NI | 007241-018 | DOOR ASM, VGCC/SC548 LH, CW NLA | 1 | EA | |
| NI | 007241-019 | DOOR ASM, VGCC/SC548 LH, OG | 1 | EA | |
| NI | 007241-020 | DOOR ASM, VGCC/SC548 LH, GM | 1 | EA | |
| NI | 007241-021 | DOOR ASM, VGCC/SC548 LH, SA | 1 | EA | |
| NI | 007241-022 | DOOR ASM, VGCC/SC548 LH, SE | 1 | EA | |
| NI | 007241-023 | DOOR ASM, VGCC/SC548 LH, IB | 1 | EA | |
| NI | 007241-024 | DOOR ASM, VGCC/SC548 LH, AR | 1 | EA | |
| NI | 007241-025 | DOOR ASM, VGCC/SC548 LH, RR | 1 | EA | |
| NI | 007241-026 | DOOR ASM, VGCC/SC548 LH, PM | 1 | EA | |
| NI | 007241-027 | DOOR ASM, VGCC/SC548 LH, MS | 1 | EA | |
| NI | 007241-002 | DOOR ASM, VGCC/SC548 LH, BK | 1 | EA | |
| NI | 007241-003 | DOOR ASM, VGCC/SC548 LH, BT | 1 | EA | |
| NI | 007241-004 | DOOR ASM, VGCC/SC548 LH, SG | 1 | EA | |
| NI | 007241-005 | DOOR ASM, VGCC/SC548 LH, GG | 1 | EA | |
| NI | 007241-006 | DOOR ASM, VGCC/SC548 LH, WH | 1 | EA | |
| NI | 007241-007 | DOOR ASM, VGCC/SC548 LH, AL | 1 | EA | Not available online / Call for pricing and availability |



| Item | Part No. | Name | Qty | Uom | NOTES |
|------|------------|---------------------------------|-----|-----|--|
| NI | 007241-008 | DOOR ASM, VGCC/SC548 LH, BU | 1 | EA | |
| NI | 007241-009 | DOOR ASM, VGCC/SC548 LH, LE | 1 | EA | |
| NI | 007241-010 | DOOR ASM, VGCC/SC548 LH, MJ | 1 | EA | |
| NI | 007241-011 | DOOR ASM, VGCC/SC548 LH, FG | 1 | EA | Not available online / Call for pricing and availability |
| NI | 007241-012 | DOOR ASM, VGCC/SC548 LH, VB | 1 | EA | |
| NI | 007241-013 | DOOR ASM, VGCC/SC548 LH, CB | 1 | EA | |
| NI | 007241-014 | DOOR ASM, VGCC/SC548 LH, EP | 1 | EA | Not available online / Call for pricing and availability |
| NI | 007241-015 | DOOR ASM, VGCC/SC548 LH, PL | 1 | EA | |
| NI | 007241-016 | DOOR ASM, VGCC/SC548 LH, CH | 1 | EA | |
| NI | 007241-017 | DOOR ASM, VGCC/SC548 LH, TP | 1 | EA | |
| NI | 007241-018 | DOOR ASM, VGCC/SC548 LH, CW NLA | 1 | EA | |
| NI | 007241-019 | DOOR ASM, VGCC/SC548 LH, OG | 1 | EA | |
| NI | 007241-020 | DOOR ASM, VGCC/SC548 LH, GM | 1 | EA | |
| NI | 007241-021 | DOOR ASM, VGCC/SC548 LH, SA | 1 | EA | |
| NI | 007241-022 | DOOR ASM, VGCC/SC548 LH, SE | 1 | EA | |
| NI | 007241-023 | DOOR ASM, VGCC/SC548 LH, IB | 1 | EA | |
| NI | 007241-024 | DOOR ASM, VGCC/SC548 LH, AR | 1 | EA | |
| NI | 007241-025 | DOOR ASM, VGCC/SC548 LH, RR | 1 | EA | |
| NI | 007241-026 | DOOR ASM, VGCC/SC548 LH, PM | 1 | EA | |
| NI | 007241-027 | DOOR ASM, VGCC/SC548 LH, MS | 1 | EA | |

LH OVEN CAVITY



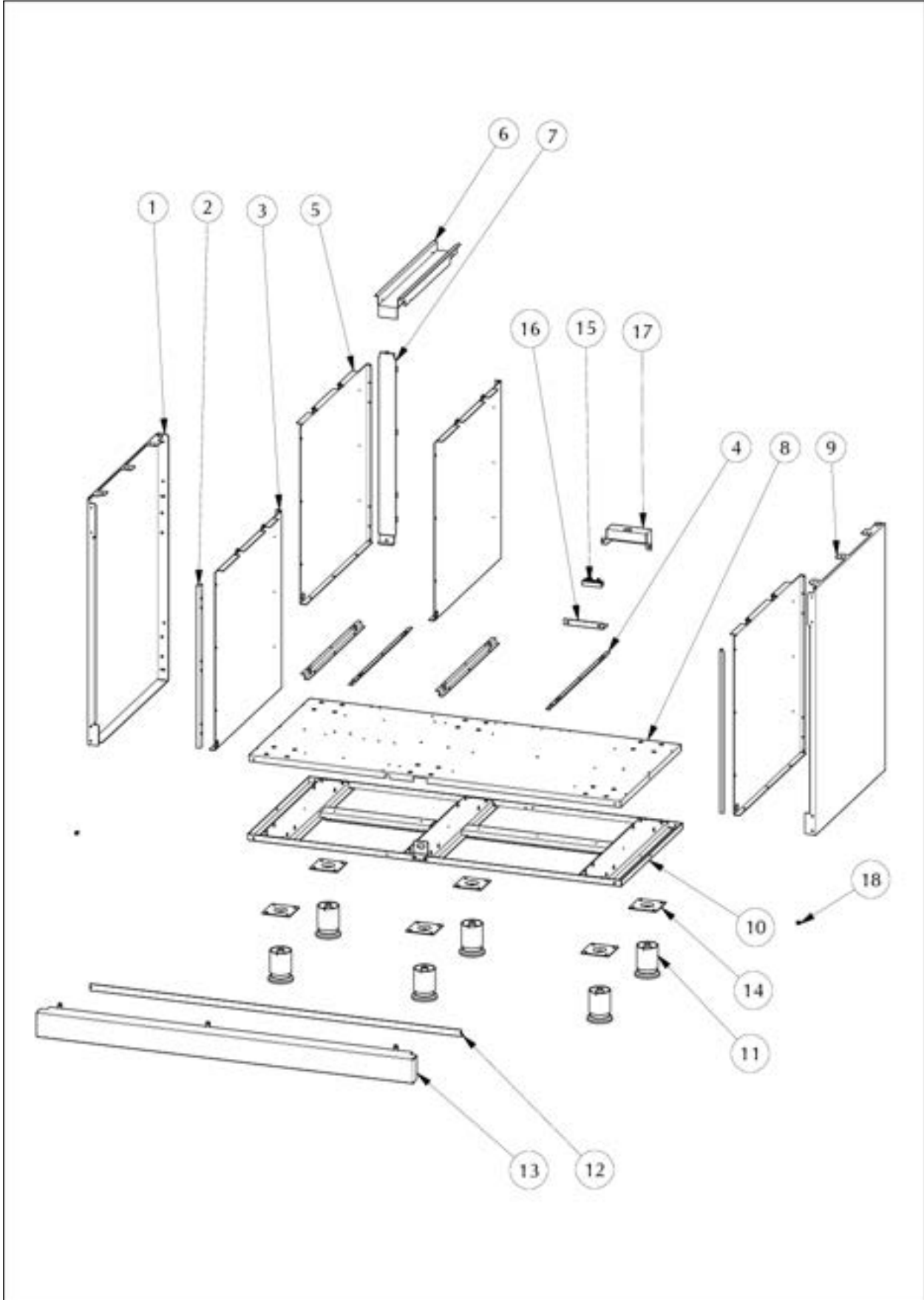


| Item | Part No. | Name | Qty | Uom | NOTES |
|-----------|------------|---------------------------------------|-----|-----|---|
| 1 | 007705-000 | COVER, INSIDE BACK, VGSC 18" | 1 | EA | |
| 2 | 008611-000 | OVEN CAVITY, 48 LH PORC ASM | 1 | EA | |
| 3 | 068653-601 | LIGHT, 120V/25W, G9, HALOGEN, SIDE | 2 | EA | |
| 4 | 068457-000 | ASM, BOTTOM, CAVITY OVEN GAS 18" GRAY | 1 | EA | |
| Not Shown | NOTE | (INCLUDES HEAT SHIELD) | | EA | |
| 5 | 005529-000 | BAKE ORIFICE MOUNTING BRACKET | 1 | EA | |
| 6 | 009225-000 | BURNER ASM, NAT. | 1 | EA | |
| 7 | B2004415 | BURNER BRACKET (VGSC306) | 1 | EA | |
| 8 | 023093-000 | FRONT FRAME, ASSY | 1 | EA | |
| 9 | PB040170 | BAKE IGNITION ELECTRODE | 1 | EA | |
| 10 | 006192-000 | VENT, ASM, OVEN ASSEMBLY | 1 | EA | |
| 11 | PB060030 | RACK SUPT REPL PB060010 | 2 | EA | |
| 12 | PB060046 | OVEN RK VDSC48-LH REPL PB060023 | 2 | EA | |
| Not Shown | NOTE | (BEFORE 12/20/12) | | EA | |
| 12 | 065783-000 | RACK, PRO, W/HDL, 18", VGR | 2 | EA | |
| Not Shown | NOTE | (ON OR AFTER 12/20/12) | | EA | |
| 13 | 007205-000 | BURNER PAN ASM | 1 | EA | Not available online / Call for pricing and availability |
| 14 | E2109638 | BRACKET, HINGE RECPT RH | 2 | EA | NOT FIELD REPLACEABLE, Not available online / Call for pricing and availability |
| 15 | E21012644 | BRACKET, HINGE RECPT LH | 1 | EA | Not available online / Call for pricing and availability |
| 16 | 006050-000 | BRACKET, FR, FRONT | 3 | EA | |
| 17 | 007259-000 | SHIM - NLA | 2 | EA | |
| 18 | 007278-000 | ARM HINGE CLIP | 2 | EA | |



| Item | Part No. | Name | Qty | Uom | NOTES |
|-----------|------------|--|-----|-----|-------|
| Not Shown | NOTE | (BEFORE 01/02/13) | | EA | |
| 18 | 049718-402 | CLIP, RETAINER, HINGE, GLOSS BLACK ENAMEL | 2 | EA | |
| Not Shown | NOTE | (AFTER 01/02/13) | | EA | |
| NI | 023943-000 | KIT,FRNT FRAME, BRNR BRKT, DOOR BRKT ASM | 1 | EA | |
| NI | 018022-000 | CAPSULE LAMP G9 25W 230V | 2 | EA | |

LOWER UNIT AND SIDE PANEL





| Item | Part No. | Name | Qty | Uom | NOTES |
|-----------|------------|-----------------------------|-----|-----|---------------------|
| 1 | 003588-000 | SIDE PANEL, LH, SS | 1 | EA | |
| Not Shown | NOTE | (BEFORE 06/13/12) | | EA | |
| 1 | 019123-000 | PANEL, SIDE, LEFT, SS | 1 | EA | |
| Not Shown | NOTE | (ON OR AFTER 06/13/12) | | EA | |
| 1 | 005505-002 | PANEL, SIDE, DECARB, RH, BK | 1 | EA | |
| Not Shown | NOTE | (BEFORE 06/13/12) | | EA | |
| 1 | 021310-002 | PANEL, SIDE, LEFT- CRS BK | 1 | EA | |
| Not Shown | NOTE | (ON OR AFTER 06/13/12) | | EA | |
| 1 | 005505-005 | PANEL, SIDE, DECARB, RH, GG | 1 | EA | |
| Not Shown | NOTE | (BEFORE 06/13/12) | | EA | |
| 1 | 021310-005 | PANEL, SIDE, LEFT- CRS GG | 1 | EA | |
| Not Shown | NOTE | (ON OR AFTER 06/13/12) | | EA | |
| 1 | 005505-006 | PANEL, SIDE, DECARB, RH, WH | 1 | EA | NO LONGER AVAILABLE |
| Not Shown | NOTE | (BEFORE 06/13/12) | | EA | |
| 1 | 021310-006 | PANEL, SIDE, LEFT- CRS WH | 1 | EA | |
| Not Shown | NOTE | (ON OR AFTER 06/13/12) | | EA | |
| 1 | 005505-008 | PANEL, SIDE, DECARB, RH, BU | 1 | EA | |
| Not Shown | NOTE | (BEFORE 06/13/12) | | EA | |
| 1 | 021310-008 | PANEL, SIDE, LEFT- CRS BU | 1 | EA | |
| Not Shown | NOTE | (ON OR AFTER 06/13/12) | | EA | |
| 1 | 005505-013 | PANEL, SIDE, DECARB, RH, CB | 1 | EA | |
| Not Shown | NOTE | (BEFORE 06/13/12) | | EA | |
| 1 | 021310-013 | PANEL, SIDE, LEFT- CRS CB | 1 | EA | |
| Not Shown | NOTE | (ON OR AFTER 06/13/12) | | EA | |
| 1 | 005505-024 | PANEL, SIDE, DECARB, RH, AR | 1 | EA | |
| Not Shown | NOTE | (BEFORE 06/13/12) | | EA | |



| Item | Part No. | Name | Qty | Uom | NOTES |
|-----------|------------|------------------------------------|-----|-----|-------|
| 1 | 021310-024 | PANEL, SIDE, LEFT- CRS AR | 1 | EA | |
| Not Shown | NOTE | (ON OR AFTER 06/13/12) | | EA | |
| 2 | 005536-000 | TRIM | 2 | EA | |
| 3 | 004482-000 | INSULATION, PNL, SIDE, LH | 2 | EA | |
| 4 | A2004429 | OVEN BOTTOM INSUL. BRACE (VGSC306) | 4 | EA | |
| 5 | 004479-000 | INSULATION, PNL, SIDE, RH | 2 | EA | |
| 6 | 008638-000 | OVEN DIVIDER | 1 | EA | |
| 7 | 009820-000 | TRIM, CTR, GAS 48" ASM | 1 | EA | |
| 8 | 007193-000 | BASE TOP PLATE | 1 | EA | |
| 9 | 002905-000 | SIDE PANEL, RH, SST | 1 | EA | |
| Not Shown | NOTE | (BEFORE 06/13/12) | | EA | |
| 9 | 019124-000 | PANEL, SIDE, RIGHT | 1 | EA | |
| Not Shown | NOTE | (ON OR AFTER 06/13/12) | | EA | |
| 9 | 004645-002 | SIDE PANEL, RH ASSY, PAINTED BK | 1 | EA | |
| Not Shown | NOTE | (BEFORE 06/13/12) | | EA | |
| 9 | 021309-002 | PANEL, SIDE, RIGHT- CRS BK | 1 | EA | |
| Not Shown | NOTE | (ON OR AFTER 06/13/12) | | EA | |
| 9 | 004645-005 | SIDE PANEL, RH ASSY, PAINTED GG | 1 | EA | |
| Not Shown | NOTE | (BEFORE 06/13/12) | | EA | |
| 9 | 021309-005 | PANEL, SIDE, RIGHT- CRS GG | 1 | EA | |
| Not Shown | NOTE | (ON OR AFTER 06/13/12) | | EA | |
| 9 | 004645-006 | SIDE PANEL, RH ASSY, PAINTED WH | 1 | EA | |
| Not Shown | NOTE | (BEFORE 06/13/12) | | EA | |
| 9 | 021309-006 | PANEL, SIDE, RIGHT- CRS WH | 1 | EA | |
| Not Shown | NOTE | (ON OR AFTER 06/13/12) | | EA | |
| 9 | 004645-008 | SIDE PANEL, RH ASSY, PAINTED BU | 1 | EA | |

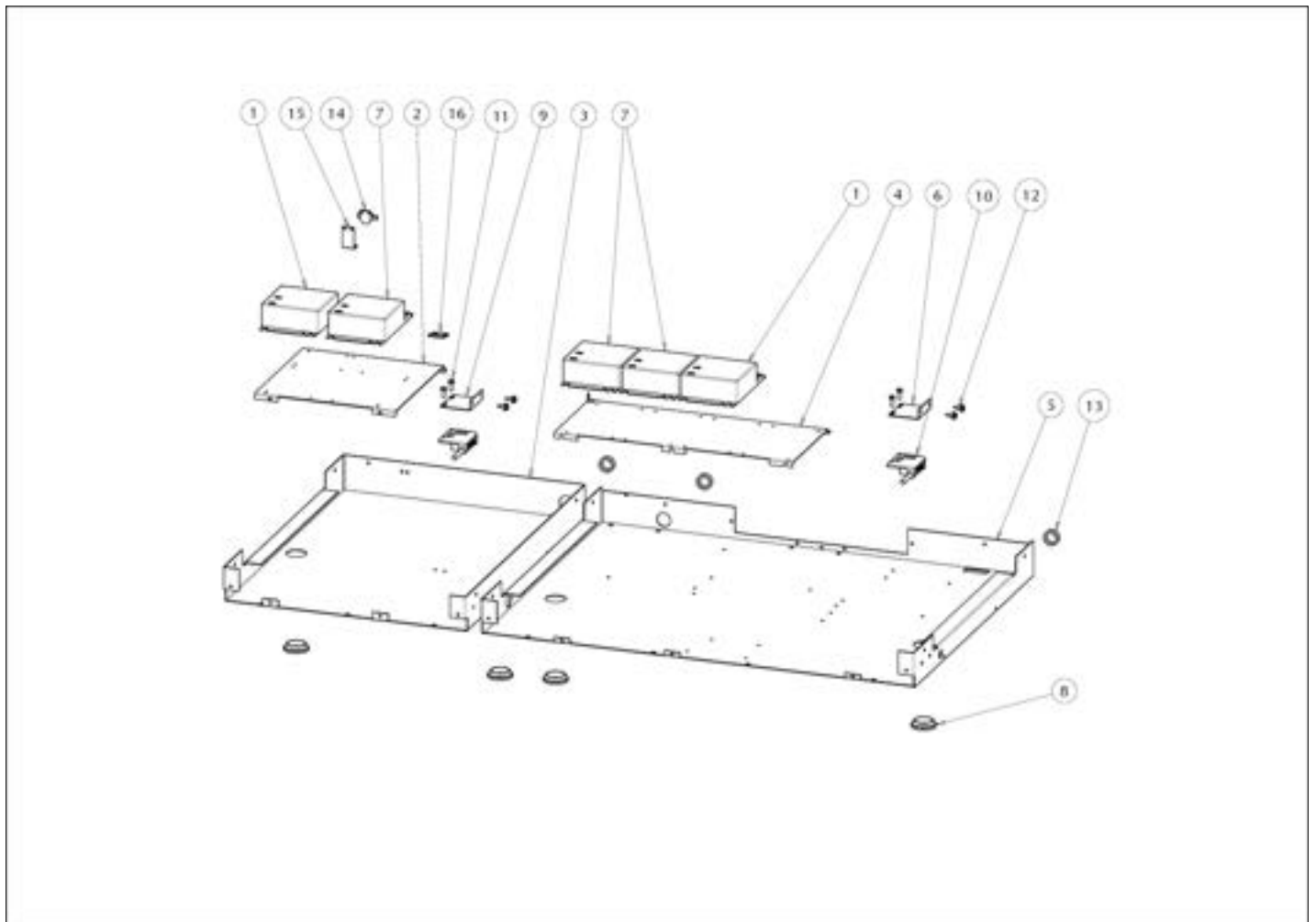


| Item | Part No. | Name | Qty | Uom | NOTES |
|-----------|------------|------------------------------------|-----|-----|-------|
| Not Shown | NOTE | (BEFORE 06/13/12) | | EA | |
| 9 | 021309-008 | PANEL, SIDE, RIGHT- CRS BU | 1 | EA | |
| Not Shown | NOTE | (ON OR AFTER 06/13/12) | | EA | |
| 9 | 004645-013 | SIDE PANEL, RH ASSY, PAINTED CB | 1 | EA | |
| Not Shown | NOTE | (BEFORE 06/13/12) | | EA | |
| 9 | 021309-013 | PANEL, SIDE, RIGHT- CRS CB | 1 | EA | |
| Not Shown | NOTE | (ON OR AFTER 06/13/12) | | EA | |
| 9 | 004645-024 | SIDE PANEL, RH ASSY, PAINTED AR | 1 | EA | |
| Not Shown | NOTE | (BEFORE 06/13/12) | | EA | |
| 9 | 021309-024 | PANEL, SIDE, RIGHT- CRS AR | 1 | EA | |
| Not Shown | NOTE | (ON OR AFTER 06/13/12) | | EA | |
| 10 | 024942-000 | BASE, BOT, 48" GAS | 1 | EA | |
| 11 | 044178-000 | RANGE, LEG, ADJUSTABLE | 6 | EA | |
| 12 | 009280-000 | SPACER, BOT, 48" GAS RANGES | 1 | EA | |
| 13 | 009568-000 | KICKPLATE, RNG, SST, VDSC 48" | 1 | EA | |
| Not Shown | NOTE | (BEFORE 06/14/12) | | EA | |
| 13 | 035828-000 | KICKPLATE, 60, GAS SST | 1 | EA | |
| Not Shown | NOTE | (FROM 06/14/12 THRU 06/14/13) | | EA | |
| 13 | 038605-000 | KICKPLATE, RNG | 1 | EA | |
| Not Shown | NOTE | (ON OR AFTER 06/14/13) | | EA | |
| 13 | 009630-002 | KICKPLATE, RNG, BK | 1 | EA | |
| Not Shown | NOTE | (BEFORE 06/14/13) | | EA | |
| 13 | 038606-002 | KICKPLATE, RNG, DCBZ BK | 1 | EA | |
| Not Shown | NOTE | (ON OR AFTER 06/14/13) | | EA | |
| 13 | 009630-005 | KICKPLATE, RNG - GG | 1 | EA | |



| Item | Part No. | Name | Qty | Uom | NOTES |
|-----------|------------|--------------------------------|-----|-----|---|
| Not Shown | NOTE | (BEFORE 06/14/13) | | EA | |
| 13 | 038606-005 | KICKPLATE, RNG, DCBZ GG | 1 | EA | |
| Not Shown | NOTE | (ON OR AFTER 06/14/13) | | EA | |
| 13 | 009630-006 | KICKPLATE, RANGE - WH | 1 | EA | |
| Not Shown | NOTE | (BEFORE 06/14/13) | | EA | |
| 13 | 038606-006 | KICKPLATE, RNG, DCBZ WH | 1 | EA | |
| Not Shown | NOTE | (ON OR AFTER 06/14/13) | | EA | |
| 13 | 009630-008 | KICKPLATE, VGSC548, BU | 1 | EA | |
| Not Shown | NOTE | (BEFORE 06/14/13) | | EA | |
| 13 | 038606-008 | KICKPLATE, RNG, DCBZ BU | 1 | EA | |
| Not Shown | NOTE | (ON OR AFTER 06/14/13) | | EA | |
| 13 | 009630-013 | KICKPLATE, RNG CB | 1 | EA | |
| Not Shown | NOTE | (BEFORE 06/14/13) | | EA | |
| 13 | 038606-013 | KICKPLATE, RNG, DCBZ CB | 1 | EA | |
| Not Shown | NOTE | (ON OR AFTER 06/14/13) | | EA | |
| 13 | 009630-024 | KICKPLATE, RANGE - AR | 1 | EA | |
| Not Shown | NOTE | (BEFORE 06/14/13) | | EA | |
| 13 | 038606-024 | KICKPLATE, RNG, DCBZ AR | 1 | EA | |
| Not Shown | NOTE | (ON OR AFTER 06/14/13) | | EA | |
| 14 | PC030007 | LEG PLATE - 3/4" THREADED HOLE | 6 | EA | |
| 15 | PE050001 | TERMINAL BOARD | 1 | EA | |
| 16 | 007484-000 | TERMINAL, BLOCK, BRACKET | 1 | EA | |
| 17 | 006945-000 | COVER, TERM, BLOCK | 1 | EA | |
| 18 | 003801-000 | SHOULDER SCREW, #10 | 1 | EA | |
| NI | PE070207 | SUPPLY CORD (EUROPEAN) | 1 | EA | NO LONGER AVAILABLE, Not available online / Call for pricing and availability |

OVEN ELECTRONICS



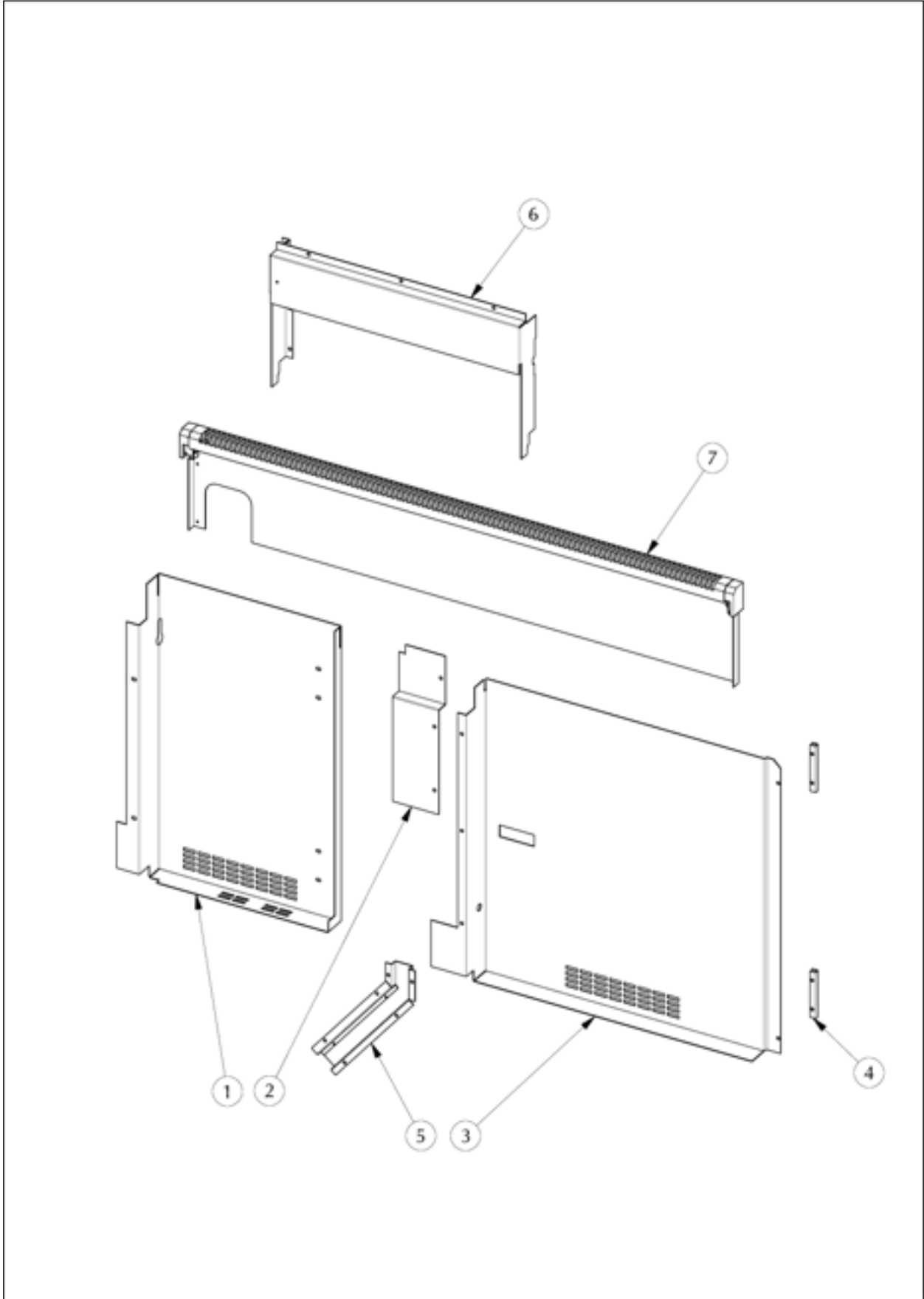


| Item | Part No. | Name | Qty | Uom | NOTES |
|--|------------|--|-----|-----|---|
| 1 | 027348-000 | DSI RETROFIT SERVICE KIT P1- NLA SEE BULLETIN TC- 0063D-SP | 2 | EA | |
| Comments for Part Num. 027348-000 | | | | | |
| gboltz@VikingRange.com on Jan 20, 2017 | | | | | |
| See service bulletin TC-0063D-SP | | | | | |
| Not Shown | NOTE | (Before January 2011) | | EA | |
| 1 | 018610-000 | DSI230-2-LVS-C OVEN | 2 | EA | Not available online / Call for pricing and availability |
| Not Shown | NOTE | (After January 2011) | | EA | |
| 2 | 008011-000 | 36" ELECTRONIC PLATE | 1 | EA | |
| 3 | 007374-000 | TOP, LH CAB, VGSC 48" | 1 | EA | |
| 4 | 005315-000 | TRAY, ELEX, 30", GSC | 1 | EA | |
| 5 | 004628-000 | TOP, CAB | 1 | EA | |
| 6 | A20012649 | DOOR SWITCH BRACKET | 1 | EA | |
| 7 | NA YET | CONVERSION KIT TO 018609- 000 DSI MODULE | 3 | EA | |
| Not Shown | NOTE | (BEFORE 12/03/2010) | | EA | |
| 7 | 042721-507 | DSI230 SHORT PURGE ASSY | 3 | EA | |
| Not Shown | NOTE | (AFTER 12/03/2010) | | EA | |
| 8 | PB070079 | SILICONE EXTRUSION (DGSU) | 4 | EA | Not available online / Call for pricing and availability |
| 9 | A20012649 | DOOR SWITCH BRACKET | 2 | EA | Not available online / Call for pricing and availability |
| 10 | PE050208 | DOOR SWITCH | 2 | EA | Not available online / Call for pricing and availability |
| 11 | PD020060 | 10 X 1/2 (5/16)HEX WSHER HD.(T)A | 4 | EA | Not available online / Call for pricing and availability |



| Item | Part No. | Name | Qty | Uom | NOTES |
|------|------------|--|-----|-----|---|
| 12 | 003860-000 | 10-18 X .500 FASTNR,SCR,HXWH,STL,ZPLT | 4 | EA | Not available online / Call for pricing and availability |
| 13 | PD040005 | SNAP BUSHING, 7/8 | 3 | EA | Not available online / Call for pricing and availability |
| 14 | PJ030039 | BI-METAL THERMOSTAT 275 DEGREES | 1 | EA | |
| 15 | A20014089 | DISC BRACKET | 1 | EA | |
| 16 | 008012-000 | BOARD CLIP | 1 | EA | |

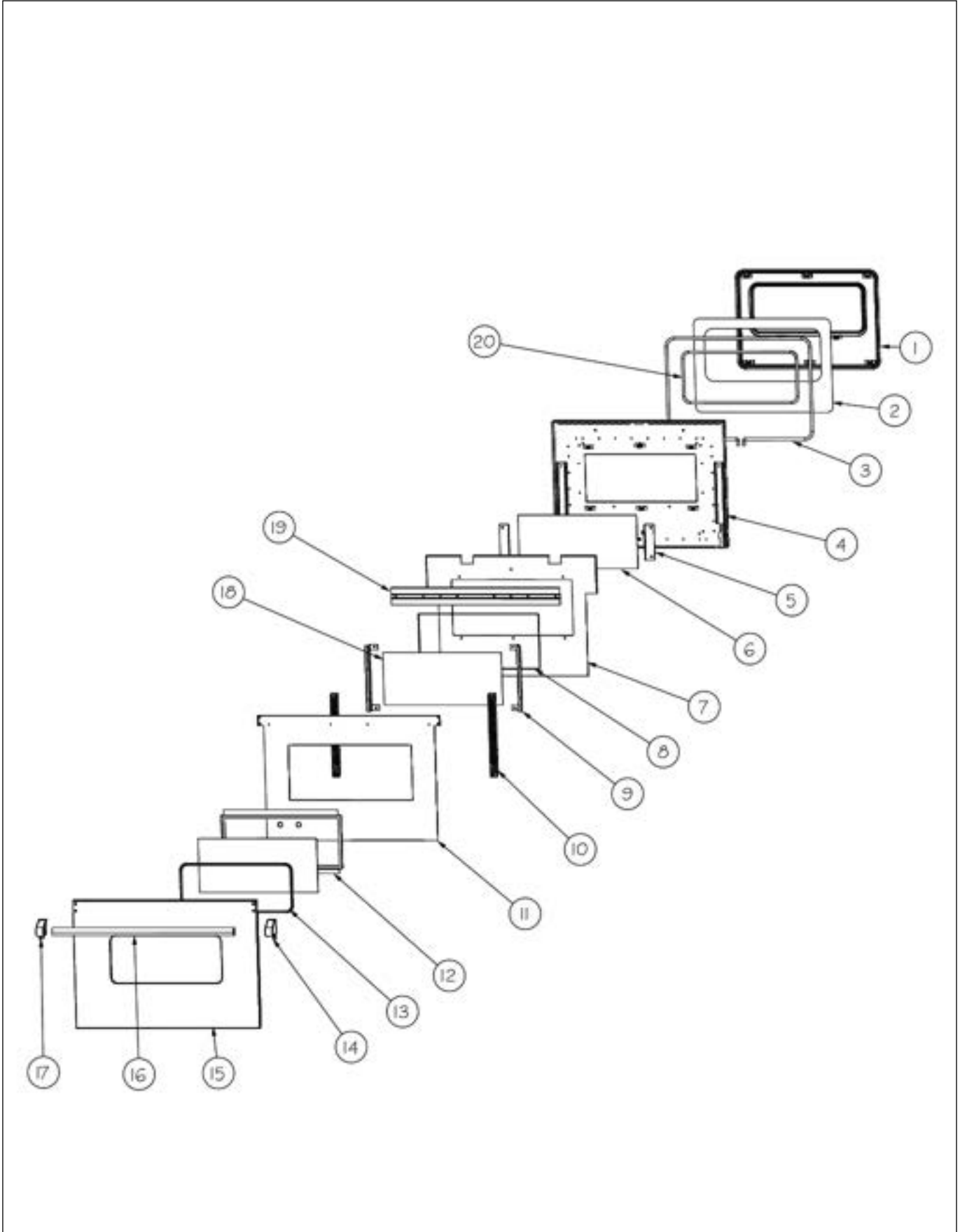
REAR SHEET METAL





| Item | Part No. | Name | Qty | Uom | NOTES |
|------|------------|-------------------------|-----|-----|---|
| 1 | 007701-000 | COVER, 18" BACK VGSC | 1 | EA | |
| 2 | 006962-000 | COVER, INL, BACK | 1 | EA | |
| 3 | 004625-000 | PANEL, BACK, OUTER, 30" | 1 | EA | |
| 4 | 006744-000 | STANDOFF, CAB, VGSC | 2 | EA | Not available online / Call for pricing and availability |
| 5 | 006949-000 | DUCT, AIR, ASM | 1 | EA | |
| 6 | 006961-000 | BACK COLLAR | 1 | EA | |
| 7 | 041509-000 | TRIM, IS, ASSY, 48" | 1 | EA | |

RH DOOR ASSY



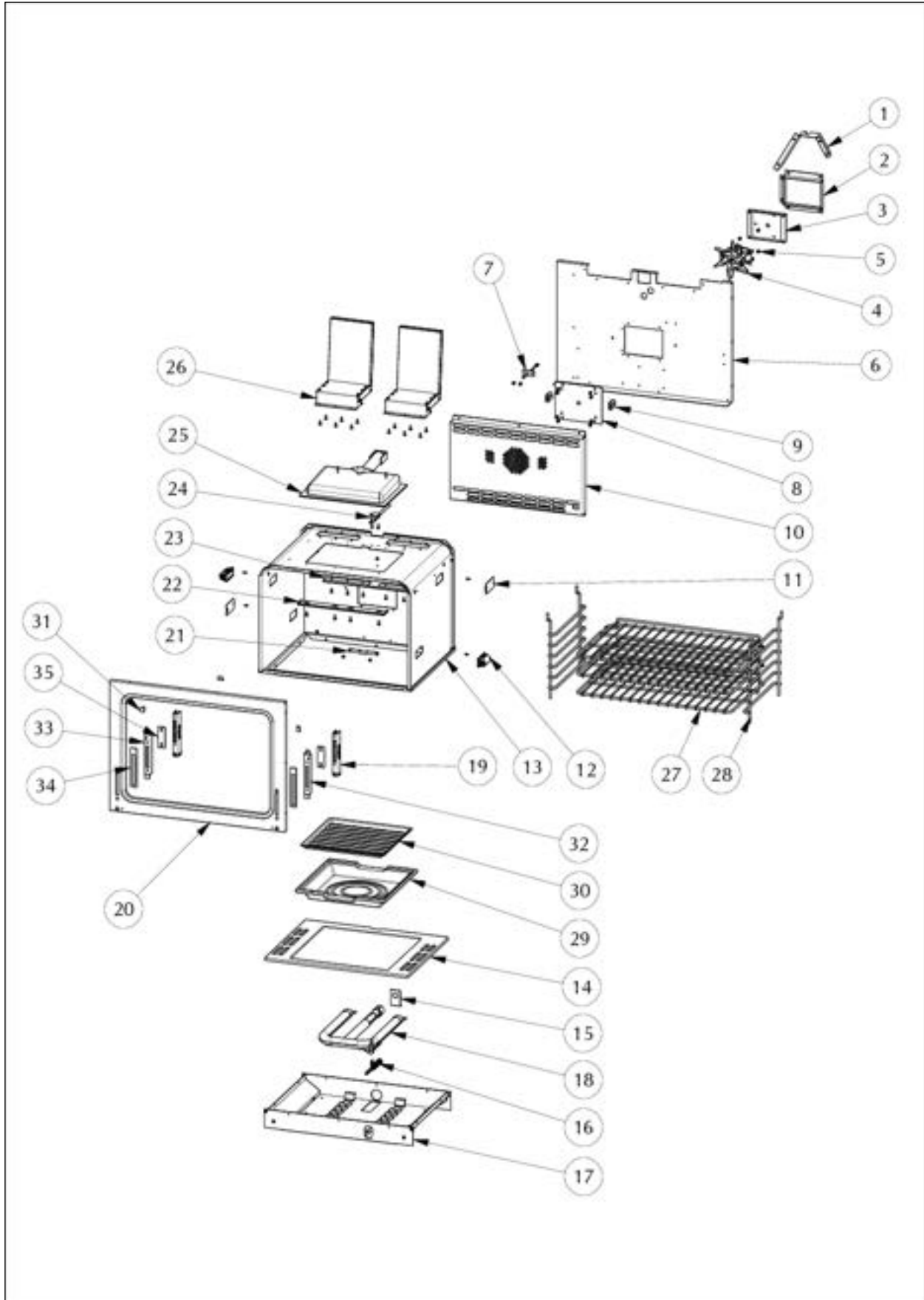


| Item | Part No. | Name | Qty | Uom | NOTES |
|--|--------------------------|--|-----|-----|--|
| 1 | 001142-000 | PLUG, DOOR, ASM, PORCELAIN | 1 | EA | NO LONGER AVAILABLE |
| <p>Comments for Part Num. 001142-000</p> <p>bradleysapplianceservice@shaw.ca on Nov 2, 2015 001142-000 PLUG, DOOR, ASM, PORCELAIN (GREY WITH WHITE SPECS) OLD STYLE 001142-402 PLUG, DOOR, ASM, PORCELAIN BK (BLACK LINER) NEW STYLE</p> | | | | | |
| 2 | 002560-000 | DOOR PLUG INSULATION | 1 | EA | |
| 3 | 000042-000 | 30" DOOR GASKET | 1 | EA | |
| 4 | 004691-000 | DOOR LINER ASSY | 1 | EA | NO LONGER AVAILABLE |
| <p>Comments for Part Num. 004691-000</p> <p>profixappliances@gmail.com on Dec 29, 2017 004691-000 IS SPECKLED FINISH, FOR ALL BLACK FINISH ORDER 004691-402.</p> | | | | | |
| 5 | A2002189 | DOOR GLASS STANDOFF (VDSC) | 2 | EA | |
| 6 | PE060039 | GLASS-HEAT TREATED (HB2) VDSC | 2 | EA | |
| 7 | 004688-000 | DOOR PANEL INSULATION LINER | 1 | EA | |
| 8 | 007583-000 | BRACKET, GLASS | 1 | EA | |
| 9 | 004687-000 | WDO BRACKET | 1 | EA | |
| 10 | 002740-000 | DOOR HINGE | 2 | EA | See TC-0121- SP Service Bulletin |
| 11 | 004684-000 | PANEL, DOOR, INSULATION, GSC | 1 | EA | |
| 12 | NOT FIELD REPLACEABLE | FRAME, GLASS, ALUMINUM | 1 | EA | |
| Not Shown | NOTE | (MUST ORDER ITEM 15) | | EA | |
| 13 | NOT FIELD REPLACEABLE | J-MOLD (LARGE WINDOW) | 1 | EA | |
| Not Shown | NOTE | (MUST ORDER ITEM 15) | | EA | |
| 14 | 003012-000 | DOOR HANDLE ENDCAP ASSY, RH (CHROME) | 1 | EA | |
| 14 | 003012-100 | DOOR HANDLE ENDCAP ASSY, RH (BRASS) - NLA | 1 | EA | |



| Item | Part No. | Name | Qty | Uom | NOTES |
|---|-----------------------|--|-----|-----|---------------------|
| Comments for Part Num. 003012-100 | | | | | |
| parts@lvdistributes.com on Apr 23, 2018 number 16 brass end cap should be number 15 | | | | | |
| 15 | 023649-000 | 48" DOOR SKIN SRV KIT, RH SS | 1 | EA | |
| 15 | 020032-002 | 48" DOOR SKIN SRV KIT RH, BK | 1 | EA | |
| 15 | 020032-005 | 48" DOOR SKIN SRV KIT, RH GG | 1 | EA | |
| 15 | 020032-006 | 48" DOOR SKIN SRV KIT, RH WH | 1 | EA | |
| 15 | 020032-008 | 48" DOOR SKIN SRV KIT, RH BU | 1 | EA | |
| 15 | 020032-013 | 48" DOOR SKIN SRV KIT, RH CB | 1 | EA | |
| 15 | 020032-024 | 48" DOOR SKIN SRV KIT, RH AR | 1 | EA | |
| 16 | 002728-000 | DOOR HANDLE - SS, 1.25" 29.5 | 1 | EA | |
| 17 | 003011-000 | DOOR HANDLE ENDCAP ASSY, LH (CHROME) | 1 | EA | |
| 17 | 003011-100 | DOOR HANDLE ENDCAP ASSY, LH (BRASS) | 1 | EA | |
| 18 | NOT FIELD REPLACEABLE | RACK SUPT REPL PB060010 | 1 | EA | |
| Not Shown | NOTE | (MUST ORDER ITEM 15) | | EA | |
| 19 | 006553-000 | DOOR BRACKET, WELD ASSY | 1 | EA | |
| 20 | 000594-000 | BLACK FIBERGLASS ROPE 3/8" | 1 | EA | |
| NI | 006468-000 | DOOR ASSEMBLY - SS (INCLUDES ITEMS 1 - 12) | 1 | EA | NO LONGER AVAILABLE |
| Comments for Part Num. 006468-000 | | | | | |
| bradleysapplianceservice@shaw.ca on Nov 2, 2015 006468-402 DOOR ASSY, SS VGCC530 BK (BLACK LINER) NEW STYLE 006468-000 DOOR ASSY, SS VGCC530 (GREY WITH WHITE SPEC LINER) OLD STYLE | | | | | |

RH OVEN CAVITY





| Item | Part No. | Name | Qty | Uom | NOTES |
|-----------|------------|---|-----|-----|--|
| 1 | 006946-000 | SHIELD, BRL, EXHAUST | 1 | EA | Not available online / Call for pricing and availability |
| 2 | A2008467 | INSULATION SHIELD | 1 | EA | |
| 3 | A2002595 | CONVECTION FAN BOX (VDSC) | 1 | EA | |
| 4 | PE050057 | CONVECTION FAN (VGSC306) | 1 | EA | |
| 4 | 027009-000 | CONVECTION FAN MOTOR | 1 | EA | |
| Not Shown | NOTE | (230V Convection Fan Motor 027009-000 after (date NA yet) | | EA | |
| 5 | PD020048 | NO.10 X 1/2 TEK 410 SS SCREW | 41 | EA | |
| 6 | 004626-000 | PANEL, BACK, INSULATION, 30" | 1 | EA | Not available online / Call for pricing and availability |
| 7 | PE050206 | RTD THERMOSTAT PROBE | 1 | EA | |
| 8 | A1002596 | CONVECTION FAN COVER (VDSC) | 1 | EA | |
| 9 | A2001361 | BACK SPACER (VGSC/VGSS) | 2 | EA | |
| 10 | 01225-000 | CONVECTION FAN COVER ASSY (VGSC306) | 1 | EA | Not available online / Call for pricing and availability |
| 11 | E91012614 | LIGHT HOLE COVER | 2 | EA | |
| 12 | 068653-601 | LIGHT, 120V/25W, G9, HALOGEN, SIDE | 2 | EA | |
| 13 | 005047-000 | OVEN CAVITY WELD | 1 | EA | Not available online / Call for pricing and availability |
| 14 | 068456-000 | ASM, BOTTOM, CAVITY, OVEN, GAS, 30", GRAY | 1 | EA | |
| Not Shown | NOTE | (INCLUDES HEAT SHIELD) | 1 | EA | |
| 15 | 005529-000 | BAKE ORIFICE MOUNTING BRACKET | 1 | EA | |
| 16 | PB040170 | BAKE IGNITION ELECTRODE | 1 | EA | |
| 17 | 005102-000 | BURNER PAN ASSEMBLY | 1 | EA | |
| 18 | 005329-000 | BURNER, OVEN, ASM | 1 | EA | |
| 19 | 031679-000 | RECEPTACLE, HINGE | 2 | EA | |
| 20 | 005373-000 | 30" FRONT FRAME WELD ASSY | 1 | EA | |

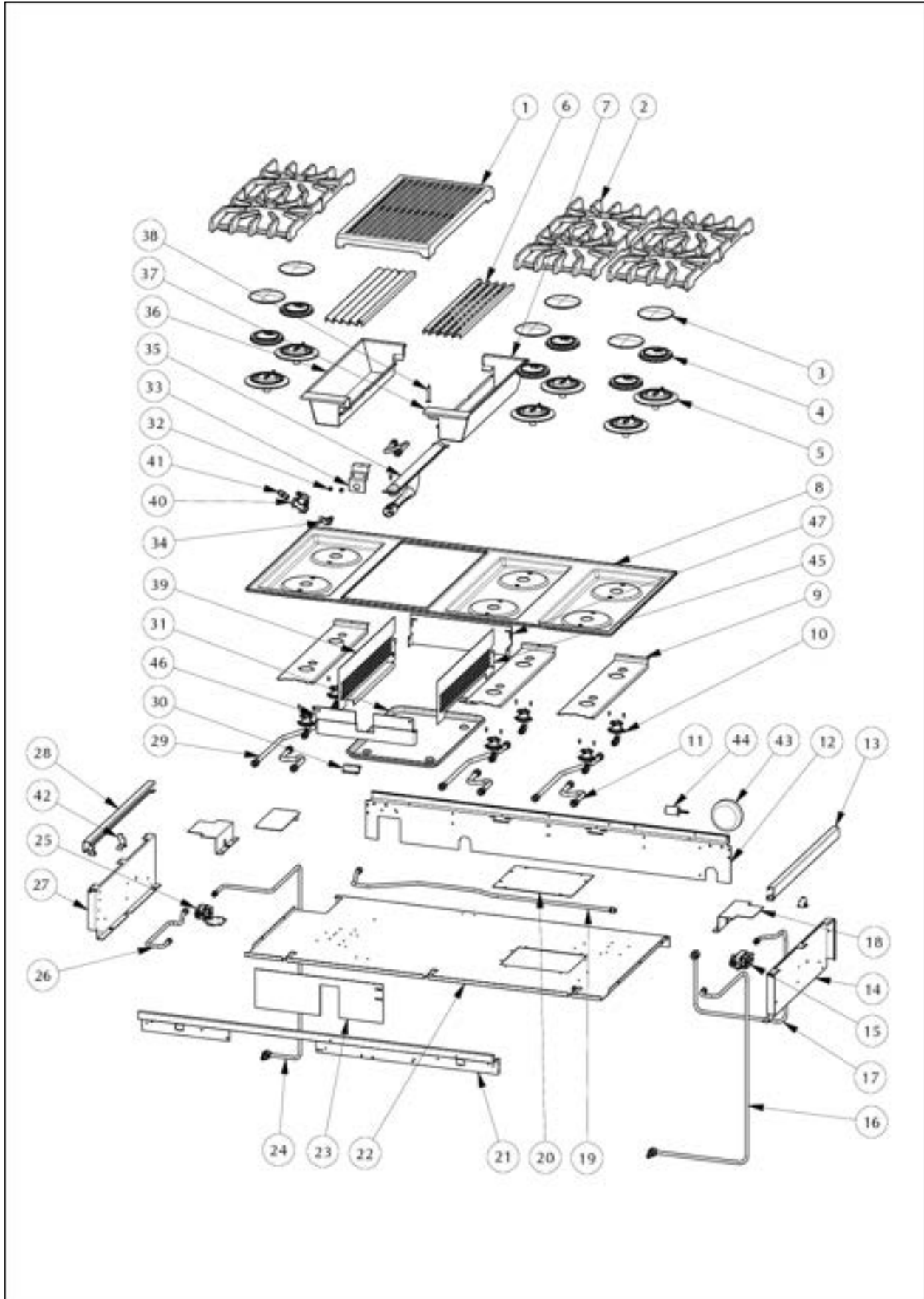


| Item | Part No. | Name | Qty | Uom | NOTES |
|-----------|------------|---|-----|-----|---|
| 21 | A2004428 | REAR BOTTOM BRCKT (VGSC306) | 1 | EA | |
| 22 | B2001448 | IR BROIL SUPT (FRONT) | 1 | EA | |
| 23 | B2005589 | REAR BROILER BRACKET | 1 | EA | Not available online / Call for pricing and availability |
| 24 | PB040171 | BROIL IGNITION ELECTRODE | 1 | EA | |
| 25 | G3001876 | IR BURNER ASSY (VGSC/RC) N/S | 1 | EA | |
| 26 | 006192-000 | VENT, ASM, OVEN ASSEMBLY | 2 | EA | |
| 27 | PB060044 | OVEN RK VDSC30/48RH REPL PB060019 | 3 | EA | |
| Not Shown | NOTE | (BEFORE 12/20/12) | | EA | |
| 27 | 065467-000 | RACK, PRO, W/HDL, 30" | 1 | EA | |
| Not Shown | NOTE | (ON OR AFTER 12/20/12) | | EA | |
| NI | 065730-000 | RACK, GLIDE, 30", W/HDL, ASSY | 2 | EA | |
| Not Shown | NOTE | (ON OR AFTER 12/20/12) | | EA | |
| 28 | PB060030 | RACK SUPT REPL PB060010 | 2 | EA | |
| 29 | E9107933 | BROILER PAN | 1 | EA | |
| 30 | E9107934 | BROILER PAN INSERT - NLA | 1 | EA | |
| NI | 018022-000 | CAPSULE LAMP G9 25W 230V | 2 | EA | |
| 31 | 006050-000 | BRACKET, FR, FRONT | 3 | EA | |
| 32 | E2109638 | BRACKET, HINGE RECPT RH | 1 | EA | NOT FIELD REPLACEABLE, Not available online / Call for pricing and availability |
| 33 | E21012644 | BRACKET, HINGE RECPT LH | 1 | EA | Not available online / Call for pricing and availability |
| 34 | 007259-000 | SHIM - NLA | 2 | EA | |
| 35 | 007278-000 | ARM HINGE CLIP | 2 | EA | |
| Not Shown | NOTE | (BEFORE 01/02/13) | | EA | |
| 35 | 049718-402 | CLIP, RETAINER, HINGE, GLOSS BLACK ENAMEL | 2 | EA | |



| Item | Part No. | Name | Qty | Uom | NOTES |
|-----------|----------|------------------|-----|-----|-------|
| Not Shown | NOTE | (AFTER 01/02/13) | | EA | |

SURFACE COOKING AREA





| Item | Part No. | Name | Qty | Uom | NOTES |
|-----------|------------|--|-----|-----|-------|
| 1 | 010168-000 | CUSTOM RANGE GRILL GRATE | 1 | EA | |
| 2 | 007323-000 | BURNER GRATE | 6 | EA | |
| Not Shown | NOTE | (BEFORE 11/21/14) | | EA | |
| 2 | 049420-000 | GRATE, BURNER, ASM | 6 | EA | |
| Not Shown | NOTE | (ON OR AFTER 11/21/14) | | EA | |
| NI | 074892-000 | RUBBER FOOT | 24 | EA | |
| Not Shown | NOTE | (BEFORE 11/21/14) | | EA | |
| NI | 049416-000 | BUMBER, GRATE | 24 | EA | |
| Not Shown | NOTE | (ON OR AFTER 11/21/14) | | EA | |
| 3 | 066958-000 | D BURNER CAP *MATTE BLACK* | 6 | EA | |
| 4 | 018200-000 | ADJUSTED SEALED BURNER HEAD | 6 | EA | |
| 5 | 003322-041 | SEALED BURNER BASE, PAINTED FINISH- GRAY | 6 | EA | |
| 6 | 072628-402 | GRILL SMOKE GENERATOR | 2 | EA | |
| 7 | 013593-000 | PAN, DRIP, ASM, RIGHT | 1 | EA | |
| 8 | E9109801BK | 48" SEALED COOKTOP 6BG & 6BQ *BK* | 1 | EA | |
| 9 | 002923-000 | BURNER MODULE SUPPORT | 3 | EA | |
| 10 | 066197-041 | 18500 BTU NAT JETHOLDER | 1 | EA | |
| 10 | 066197-042 | 15000 BTU NAT JETHOLDER | 5 | EA | |
| Not Shown | NOTE | (For correct orifice, see chart) | | EA | |
| 11 | PB020192 | 10" FLEX TUBING W/CONNECTORS | 3 | EA | |
| 12 | 008609-000 | SUPPORT, BACK | 1 | EA | |
| 13 | 002920-000 | TOP TRIM RING, RH | 1 | EA | |
| 14 | 011077-000 | SHIELD, HEAT, GRIDDLE, RH | 1 | EA | |
| 15 | 009112-000 | VALVE, SOL, DOUBLE | 1 | EA | |
| 16 | 011545-000 | TUBING, MAIN, 48" OVEN ASSY | 1 | EA | |
| Not Shown | NOTE | (For correct orifice, see chart) | | EA | |
| 17 | 012899-000 | TUBING, VALVE TO BROIL ASM | 1 | EA | |

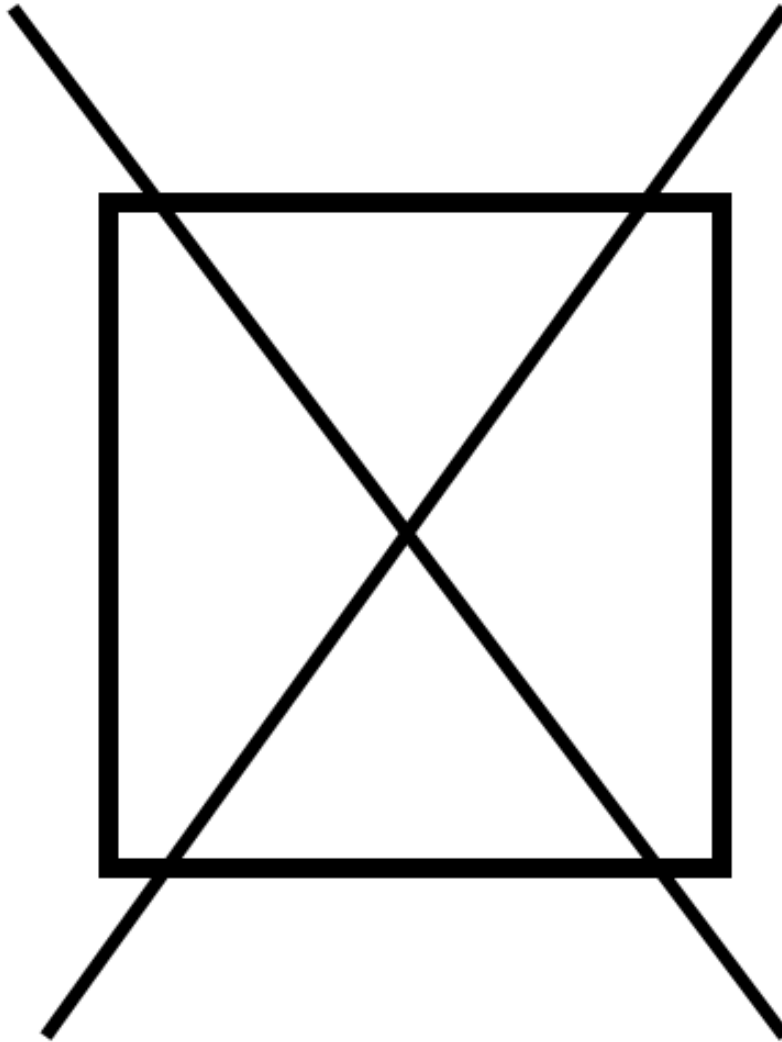


| Item | Part No. | Name | Qty | Uom | NOTES |
|-----------|------------|--------------------------------------|-----|-----|--|
| Not Shown | NOTE | (For correct orifice, see chart) | | EA | |
| 18 | 012965-000 | COVER, SOL, LRG | 2 | EA | |
| 19 | 011570-000 | TUBING, VALVE TO VALVE ASSY | 1 | EA | |
| 20 | 009268-000 | PLATE, SHORT FAN COVER | 1 | EA | |
| 21 | 008461-000 | SUPPORT, FRONT | 1 | EA | |
| 22 | 008450-000 | PANEL, CTR | 1 | EA | |
| 23 | 018104-001 | CE HEAT SHIELD | 1 | EA | Not available online / Call for pricing and availability |
| 24 | 009821-000 | TUBING, 18" OVEN ASSY | 1 | EA | |
| Not Shown | NOTE | (For correct orifice, see chart) | | EA | |
| 25 | 009111-000 | VALVE, SOL, SINGLE | 1 | EA | |
| 26 | 011602-000 | TUBING, VALVE TO MANIFOLD ASSY | 1 | EA | |
| 27 | 016295-000 | SIDE, GRILL BOX, RH | 1 | EA | |
| 28 | 003649-000 | TOP TRIM RING, LH | 1 | EA | |
| 29 | PB020193 | 16" FLEX TUBING W/CONNECTORS | 3 | EA | |
| 30 | 008286-000 | BRACKET, DRIP, PAN, CUSTOM, Q-MODELS | 2 | EA | |
| 31 | J2101749 | GREASE PAN | 1 | EA | |
| 32 | PD020046 | ' #8 X 1/2 SCREWS | 2 | EA | |
| 33 | 007776-000 | MOUNT, GRILL, BURNER, FRONT | 1 | EA | |
| 34 | PB040238 | 90 DEGREE ORIFICE FITTING, NAT #47 | 1 | EA | |
| Not Shown | NOTE | (For correct orifice, see chart) | | EA | |
| 35 | 018650-000 | BURNER ASM, GRILL G20 | 1 | EA | |
| 36 | 013595-000 | PAN, DRIP, ASM, LEFT | 1 | EA | |
| 37 | 008636-000 | BRACKET, BURNER, GRILL, REAR | 1 | EA | |
| 38 | PA020028 | SPARK IGNITER | 1 | EA | |
| 39 | 016792-000 | SHIELD, HEAT, LH, Q MODELS | 1 | EA | |
| 40 | 018102-000 | VALVE. SOL. SINGLE SGV-111-2020-S | 1 | EA | |



| Item | Part No. | Name | Qty | Uom | NOTES |
|------|------------|------------------------------|-----|-----|-------|
| 41 | 018028-000 | ADAPTOR 5/8 x 9/16 | 1 | EA | |
| 42 | 004021-000 | SUPPORT,TRIM,SIDE | 2 | EA | |
| 43 | 004156-000 | CE TRANSFORMER (230-120V) | 1 | EA | |
| 43 | 018201-000 | TRANSFO 160VA (AMPL-3N1756) | 1 | EA | |
| 44 | PJ030038 | EMC FILTER | 1 | EA | |
| 45 | 016793-000 | SHIELD, HEAT, RH, Q MODELS | 1 | EA | |
| 46 | 016796-000 | SHIELD, HEAT, FR, Q MODELS | 1 | EA | |
| 47 | 016794-000 | SHIELD, HEAT, REAR, Q MODELS | 1 | EA | |

NON
ILLUSTRATED PART





| Item | Part No. | Name | Qty | Uom | NOTES |
|-----------|------------|--------------------------------------|-----|-----|---|
| NI | 009473-000 | HARNESS, CONTROL 48" LH | 1 | EA | |
| NI | 026098-000 | HARNESS, WIRE 48" RH | 1 | EA | |
| NI | 009474-000 | HARNESS, MAIN, 48 LH | 1 | EA | |
| Not Shown | NOTE | (BEFORE 12/29/10) | | EA | |
| NI | 025993-000 | HARNESS, MAIN 48" L.H. | 1 | EA | |
| Not Shown | NOTE | (ON OR AFTER 12/29/10) | | EA | |
| NI | G400936 | GROUND WIRE | 2 | EA | Not available online / Call for pricing and availability |
| NI | PE070209 | STRAIN RELIEF | 1 | EA | Not available online / Call for pricing and availability |
| NI | PE070207 | SUPPLY CORD (EUROPEAN) | 1 | EA | NO LONGER AVAILABLE, Not available online / Call for pricing and availability |
| NI | 018019-000 | CE WIRE HARNESS -2 | 3 | EA | |
| NI | 018632-000 | WIRE, IGNITOR, 38 | 1 | EA | |
| NI | 007298-000 | BAKE IGNITOR WIRE, ASM | 1 | EA | |
| Not Shown | NOTE | (BEFORE 12/29/10) | | EA | |
| NI | 024606-000 | WIRE, BAKE, ELECTRODE, ASM | 1 | EA | |
| Not Shown | NOTE | (ON OR AFTER 12/29/10) | | EA | |
| NI | 024605-000 | WIRE, BRL, ELECTRODE, ASM | 1 | EA | |
| NI | 001911-000 | WIRE, ASSY, BAKE IGNITOR | 1 | EA | |
| Not Shown | NOTE | (BEFORE 12/29/10) | | EA | |
| NI | 024607-000 | WIRE, GRDL, ELECTRODE, ASM | 1 | EA | |
| Not Shown | NOTE | (ON OR AFTER 12/29/10) | | EA | |
| NI | 009478-000 | CONTROL PANEL HARNESS, VGSC548-6Q/8B | 1 | EA | Not available online / Call for pricing and availability |
| NI | 009479-000 | HARNESS, MAIN | 1 | EA | |



| Item | Part No. | Name | Qty | Uom | NOTES |
|-----------|------------|------------------------|-----|-----|-------|
| Not Shown | NOTE | (BEFORE 12/29/10) | | EA | |
| NI | 025994-000 | HARNESS, 48" VGCC | 1 | EA | |
| Not Shown | NOTE | (ON OR AFTER 12/29/10) | | EA | |
| NI | 009476-000 | HARNESS, POWER, 48" | 1 | EA | |
| Not Shown | NOTE | (BEFORE 12/29/10) | | EA | |



Appendix A:Pages Index

CONTROL AREA 1
LH DOOR ASSY 2
LH OVEN CAVITY 3
LOWER UNIT AND SIDE PANEL 4
OVEN ELECTRONICS 5
REAR SHEET METAL 6
RH DOOR ASSY 7
RH OVEN CAVITY 8
SURFACE COOKING AREA 9
UNIT WIRING 10



Appendix B:Parts Index

| | | | |
|------------|---------|------------|------|
| 000042-000 | 7 | 005102-000 | 8 |
| 000080-000 | 2 | 005269-000 | 1 |
| 000594-000 | 2, 2, 7 | 005315-000 | 5 |
| 000943-000 | 2 | 005329-000 | 8 |
| 001142-000 | 7 | 005373-000 | 8 |
| 001911-000 | 10 | 005505-002 | 4 |
| 002560-000 | 7 | 005505-005 | 4 |
| 002728-000 | 7 | 005505-006 | 4 |
| 002740-000 | 7 | 005505-008 | 4 |
| 002905-000 | 4 | 005505-013 | 4 |
| 002920-000 | 9 | 005505-024 | 4 |
| 002923-000 | 9 | 005529-000 | 3, 8 |
| 003011-000 | 2, 7 | 005536-000 | 4 |
| 003011-100 | 7 | 006050-000 | 3, 8 |
| 003012-000 | 2, 7 | 006192-000 | 3, 8 |
| 003012-100 | 7 | 006220-000 | 2 |
| 003322-041 | 9 | 006221-000 | 2 |
| 003588-000 | 4 | 006225-000 | 2 |
| 003649-000 | 9 | 006355-000 | 1 |
| 003719-000 | 1 | 006424-000 | 1 |
| 003801-000 | 4 | 006468-000 | 7 |
| 003860-000 | 5 | 006553-000 | 7 |
| 004021-000 | 9 | 006574-000 | 1 |
| 004156-000 | 9 | 006744-000 | 6 |
| 004479-000 | 4 | 006945-000 | 4 |
| 004482-000 | 4 | 006946-000 | 8 |
| 004625-000 | 6 | 006949-000 | 6 |
| 004626-000 | 8 | 006961-000 | 6 |
| 004628-000 | 5 | 006962-000 | 6 |
| 004645-002 | 4 | 007147-000 | 1 |
| 004645-005 | 4 | 007193-000 | 4 |
| 004645-006 | 4 | 007202-000 | 2 |
| 004645-008 | 4 | 007203-000 | 2 |
| 004645-013 | 4 | 007205-000 | 3 |
| 004645-024 | 4 | 007221-000 | 2 |
| 004684-000 | 7 | 007222-000 | 2 |
| 004687-000 | 7 | 007241-002 | 2, 2 |
| 004688-000 | 7 | 007241-003 | 2, 2 |
| 004691-000 | 7 | 007241-004 | 2, 2 |
| 005047-000 | 8 | 007241-005 | 2, 2 |
| | | 007241-006 | 2, 2 |



| | | | |
|------------|------|------------|----|
| 007241-007 | 2, 2 | 008611-000 | 3 |
| 007241-008 | 2, 2 | 008636-000 | 9 |
| 007241-009 | 2, 2 | 008638-000 | 4 |
| 007241-010 | 2, 2 | 009086-000 | 1 |
| 007241-011 | 2, 2 | 009111-000 | 9 |
| 007241-012 | 2, 2 | 009112-000 | 9 |
| 007241-013 | 2, 2 | 009225-000 | 3 |
| 007241-014 | 2, 2 | 009268-000 | 9 |
| 007241-015 | 2, 2 | 009280-000 | 4 |
| 007241-016 | 2, 2 | 009473-000 | 10 |
| 007241-017 | 2, 2 | 009474-000 | 10 |
| 007241-018 | 2, 2 | 009476-000 | 10 |
| 007241-019 | 2, 2 | 009478-000 | 10 |
| 007241-020 | 2, 2 | 009479-000 | 10 |
| 007241-021 | 2, 2 | 009568-000 | 4 |
| 007241-022 | 2, 2 | 009630-002 | 4 |
| 007241-023 | 2, 2 | 009630-005 | 4 |
| 007241-024 | 2, 2 | 009630-006 | 4 |
| 007241-025 | 2, 2 | 009630-008 | 4 |
| 007241-026 | 2, 2 | 009630-013 | 4 |
| 007241-027 | 2, 2 | 009630-024 | 4 |
| 007243-000 | 2 | 009818-000 | 2 |
| 007243-100 | 2 | 009820-000 | 4 |
| 007259-000 | 3, 8 | 009821-000 | 9 |
| 007278-000 | 3, 8 | 009830-000 | 2 |
| 007298-000 | 10 | 010168-000 | 9 |
| 007323-000 | 9 | 011077-000 | 9 |
| 007374-000 | 5 | 011545-000 | 9 |
| 007484-000 | 4 | 011570-000 | 9 |
| 007583-000 | 7 | 011602-000 | 9 |
| 007701-000 | 6 | 01225-000 | 8 |
| 007705-000 | 3 | 012794-000 | 1 |
| 007776-000 | 9 | 012899-000 | 9 |
| 008011-000 | 5 | 012965-000 | 9 |
| 008012-000 | 5 | 013053-000 | 1 |
| 008276-000 | 2 | 013057-000 | 1 |
| 008286-000 | 9 | 013213-000 | 1 |
| 008336-000 | 2 | 013320-000 | 1 |
| 008450-000 | 9 | 013583-000 | 1 |
| 008461-000 | 9 | 013593-000 | 9 |
| 008609-000 | 9 | 013595-000 | 9 |



| | | | |
|------------|----------|------------|---|
| 016295-000 | 9 | 020038-015 | 2 |
| 016792-000 | 9 | 020038-016 | 2 |
| 016793-000 | 9 | 020038-017 | 2 |
| 016794-000 | 9 | 020038-018 | 2 |
| 016796-000 | 9 | 020038-019 | 2 |
| 018018-000 | 1 | 020038-020 | 2 |
| 018019-000 | 1, 1, 10 | 020038-021 | 2 |
| 018022-000 | 3, 8 | 020038-022 | 2 |
| 018028-000 | 9 | 020038-023 | 2 |
| 018033-000 | 1 | 020038-024 | 2 |
| 018102-000 | 9 | 020038-025 | 2 |
| 018104-001 | 9 | 020038-026 | 2 |
| 018200-000 | 9 | 020038-027 | 2 |
| 018201-000 | 9 | 020038-102 | 2 |
| 018605-000 | 1 | 020038-103 | 2 |
| 018610-000 | 5 | 020038-104 | 2 |
| 018627-000 | 1 | 020038-105 | 2 |
| 018630-000 | 1 | 020038-106 | 2 |
| 018632-000 | 10 | 020038-107 | 2 |
| 018650-000 | 9 | 020038-108 | 2 |
| 019123-000 | 4 | 020038-109 | 2 |
| 019124-000 | 4 | 020038-110 | 2 |
| 020032-002 | 7 | 020038-111 | 2 |
| 020032-005 | 7 | 020038-112 | 2 |
| 020032-006 | 7 | 020038-113 | 2 |
| 020032-008 | 7 | 020038-114 | 2 |
| 020032-013 | 7 | 020038-115 | 2 |
| 020032-024 | 7 | 020038-116 | 2 |
| 020038-002 | 2 | 020038-117 | 2 |
| 020038-003 | 2 | 020038-118 | 2 |
| 020038-004 | 2 | 020038-119 | 2 |
| 020038-005 | 2 | 020038-120 | 2 |
| 020038-006 | 2 | 020038-121 | 2 |
| 020038-007 | 2 | 020038-122 | 2 |
| 020038-008 | 2 | 020038-123 | 2 |
| 020038-009 | 2 | 020038-124 | 2 |
| 020038-010 | 2 | 020038-125 | 2 |
| 020038-011 | 2 | 020038-126 | 2 |
| 020038-012 | 2 | 020038-127 | 2 |
| 020038-013 | 2 | 020437-000 | 2 |
| 020038-014 | 2 | 021309-002 | 4 |



| | | | |
|------------|------|----------------|------|
| 021309-005 | 4 | 066197-041 | 9 |
| 021309-006 | 4 | 066197-042 | 9 |
| 021309-008 | 4 | 066958-000 | 9 |
| 021309-013 | 4 | 068456-000 | 8 |
| 021309-024 | 4 | 068457-000 | 3 |
| 021310-002 | 4 | 068653-601 | 3, 8 |
| 021310-005 | 4 | 072628-402 | 9 |
| 021310-006 | 4 | 074892-000 | 9 |
| 021310-008 | 4 | A1002596 | 8 |
| 021310-013 | 4 | A20012649 | 5 |
| 021310-024 | 4 | A20012649ÃÃ ÃÃ | 5 |
| 023093-000 | 3 | A2001361 | 8 |
| 023649-000 | 7 | A20014089 | 5 |
| 023943-000 | 3 | A2002189 | 7 |
| 024605-000 | 10 | A2002595 | 8 |
| 024606-000 | 10 | A2004428 | 8 |
| 024607-000 | 10 | A2004429 | 4 |
| 024942-000 | 4 | A2008467 | 8 |
| 025993-000 | 10 | A21014003 | 2 |
| 025994-000 | 10 | B2001448 | 8 |
| 026098-000 | 10 | B2004415 | 3 |
| 027009-000 | 8 | B2005589 | 8 |
| 027348-000 | 5 | E21012644 | 3, 8 |
| 031679-000 | 8 | E2109638 | 3, 8 |
| 035828-000 | 4 | E91012614 | 8 |
| 038605-000 | 4 | E9107933 | 8 |
| 038606-002 | 4 | E9107934 | 8 |
| 038606-005 | 4 | E9109801BK | 9 |
| 038606-006 | 4 | G3001876 | 8 |
| 038606-008 | 4 | G400936 | 10 |
| 038606-013 | 4 | J2101749 | 9 |
| 038606-024 | 4 | M0104106 | 1 |
| 041509-000 | 6 | PA020028 | 9 |
| 042721-507 | 5 | PB010304 | 1 |
| 044178-000 | 4 | PB020192 | 9 |
| 049416-000 | 9 | PB020193 | 9 |
| 049420-000 | 9 | PB040170 | 3, 8 |
| 049718-402 | 3, 8 | PB040171 | 8 |
| 065467-000 | 8 | PB040238 | 9 |
| 065730-000 | 8 | PB060030 | 3, 8 |
| 065783-000 | 3 | PB060044 | 8 |



PB060046 3
PB070079ÃÃ ÃÃ 5
PB070145 2, 2
PC030007 4
PD010012 1
PD020032 1
PD020046 9
PD020048 8
PD020060ÃÃ ÃÃ 5
PD030006 2
PD040004 1
PD040005ÃÃ ÃÃ 5
PD040106 1
PE010030 2
PE050001 4
PE050023 1
PE050024 1
PE050057 8
PE050206 8
PE050208ÃÃ ÃÃ 5
PE060032 2
PE060039 7
PE060046 2
PE060049 2
PE070207 4, 10
PE070209 10
PJ030038 9
PJ030039 5