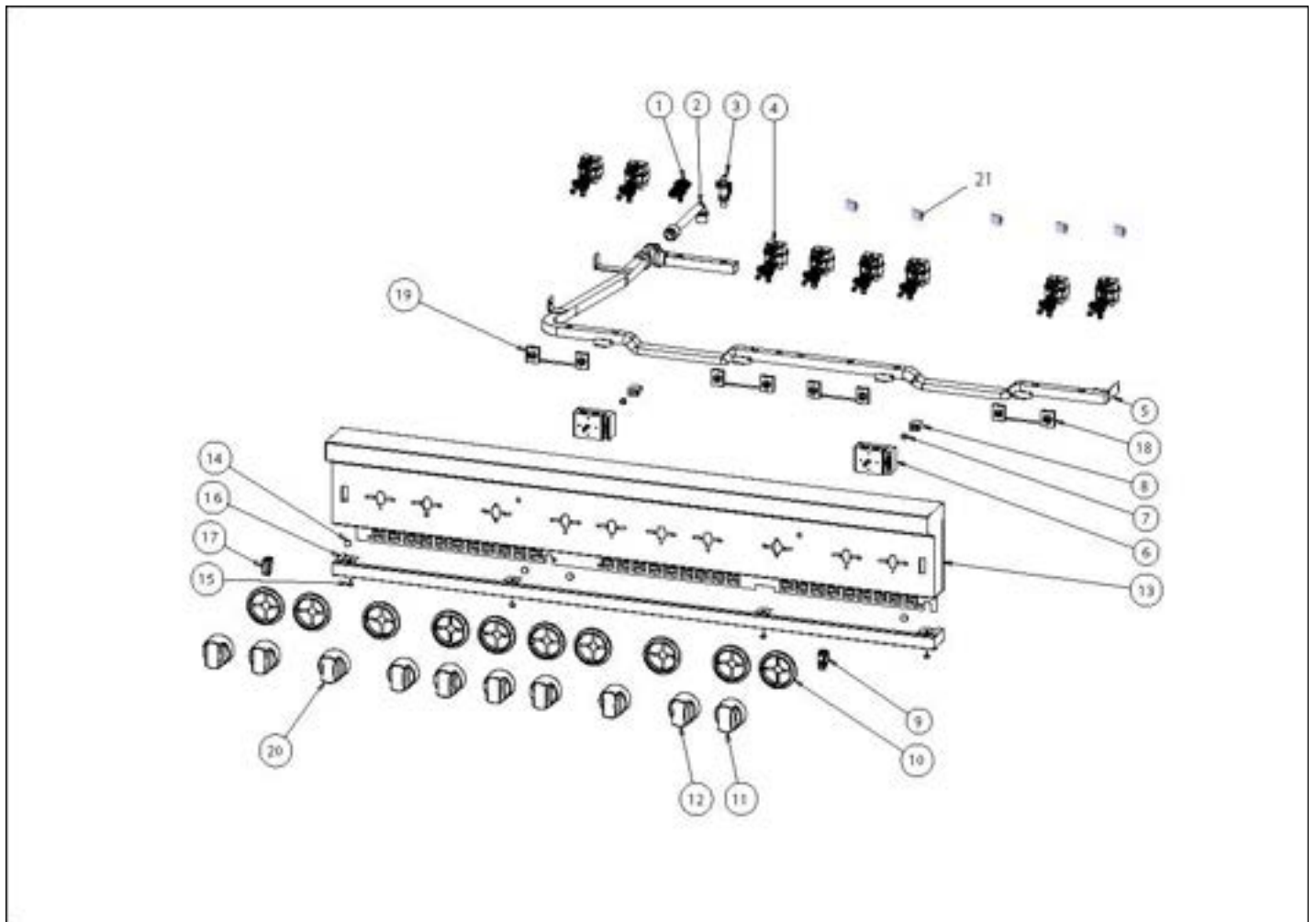


**EVGCC548-8B**

CONTROL AREA .....	1
LH DOOR ASSY .....	2
LH OVEN CAVITY .....	3
LOWER UNIT AND SIDE PANEL .....	4
OVEN ELECTRONICS .....	5
REAR SHEET METAL .....	6
RH DOOR ASSY .....	7
RH OVEN CAVITY .....	8
SURFACE COOKING AREA .....	9
UNIT WIRING .....	10
Appendix A:Pages Index .....	A
Appendix B:Parts Index .....	B

CONTROL AREA



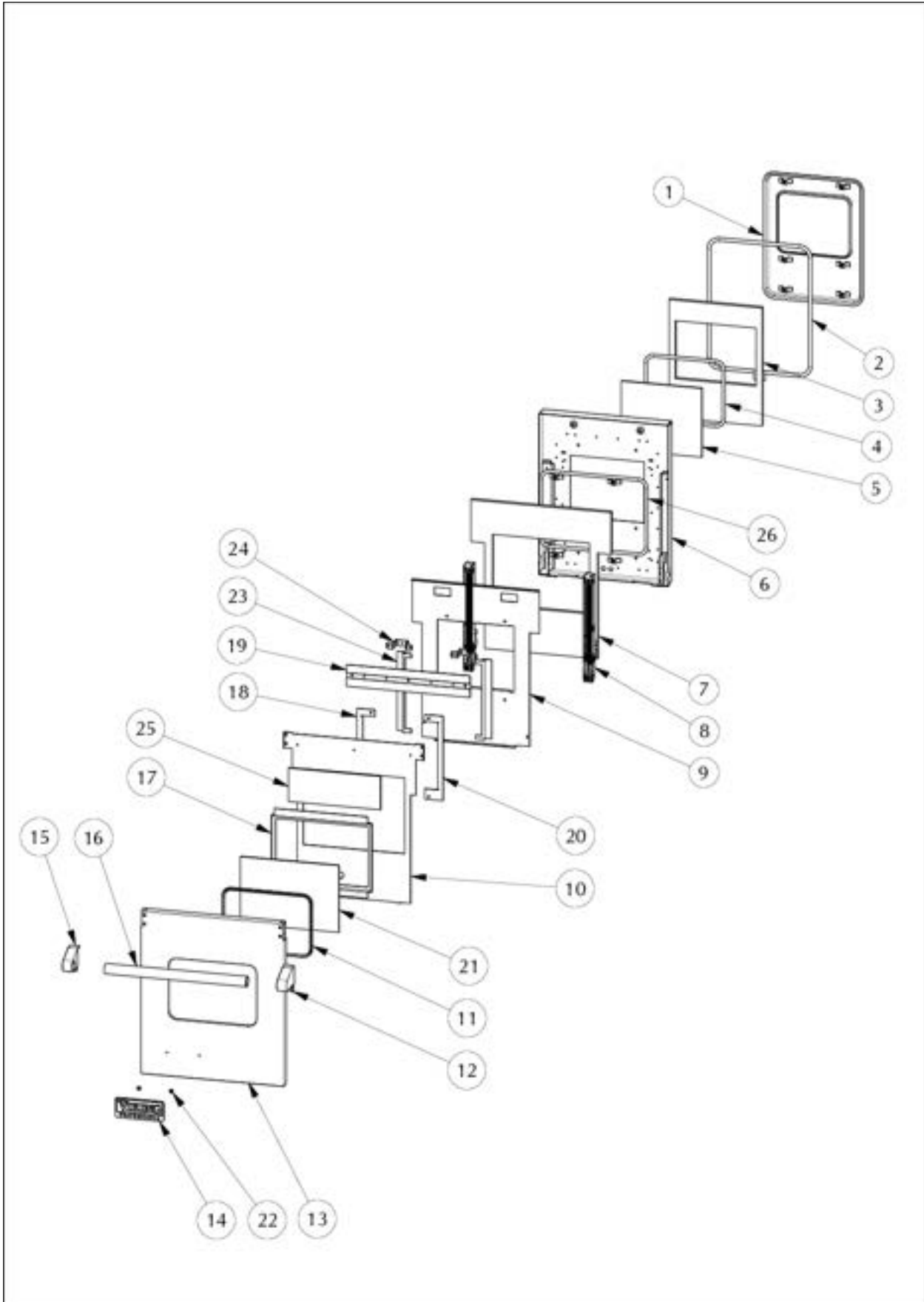


Item	Part No.	Name	Qty	Uom	NOTES
1	013320-000	VALVE, SHUTOFF, 90 DEGREE	2	EA	
2	018033-000	GAS TUBE 135MM	1	EA	Not available online / Call for pricing and availability
NI	018627-000	COUPLING, 1/2" NPT/14 TPI	1	EA	
NI	018630-000	NIPPLE 4"	1	EA	Not available online / Call for pricing and availability
NI	PD040106	1/2" NPT-BSP ADAPTER	1	EA	
3	007147-000	SHUT OFF VALVE	1	EA	
4	018605-000	VALVE & SOLENOID ASM	6	EA	
5	012794-000	MANIFOLD,ASM,48" 8B/6Q	1	EA	
6	013213-000	TSTAT, SMPS, ELEC, 2-POS, .91" SHAFT, CB	2	EA	
7	PE050023	OVEN IND. LIGHT (LENS & BEZEL)	2	EA	NO LONGER AVAILABLE
8	PE050024	OVEN IND. LIGHT (LIGHT HOUSING)	2	EA	
<p>Comments for Part Num. PE050024</p> <p>haarnink@vikingrange.com on Jan 14, 2019  please not that the indicator light is now part 043135-000 but needs the Jumper harness 051443-000. and second option there are units in the field with a 230V indicator light part number 036566-000.</p> <p>please check this for all "E" module ranges/Tops  ksturm@vikingrange.com on Apr 22, 2019  please not that the indicator light is now part 043135-000 but needs the Jumper harness 051443-000. and second option there are units in the field with a 230V indicator light part number 036566-000.</p> <p>please check this for all "E" module ranges/Tops</p>					
9	006355-000	SPLASHPROOF ROCKER SWITCH	1	EA	
10	PB010304	KNOB BEZEL	9	EA	
11	005269-000	RANGE TOP BURNER KNOB-BRUSHED, SSS	6	EA	
12	013053-000	THERMOSTAT KNOB EVGCC *SS*	1	EA	
13	042201-2109	PNL, CTRL, ASM, VGCC548-8B W/GRAPHICS	1	EA	



Item	Part No.	Name	Qty	Uom	NOTES
Not Shown	NOTE	(MUST ORDER ITEM 21 WHEN REPLACING CONTROL PANEL)		EA	
14	PD040004	GROMMET BUMPER	4	EA	
15	PD020032	SRW-8(A)X3/8"PH.WFR HD 7/16DIA*NICL	4	EA	
16	006424-000	HANDLE, DRIP, ASM, SST, VDSC548	1	EA	
17	003719-000	OVEN LIGHT SWITCH, BLACK	1	EA	
18	018018-000	CE WIRE HARNESS -1	2	EA	
19	018019-000	CE WIRE HARNESS -2	2	EA	
20	013057-000	GRIDDLE KNOB EVDSC/ EVGSC/ CC *SS*	1	EA	
NI	PD010012	VALVE BOLT 1/4-20 UNC-2B 5/16" M.S.	9	EA	
21	M0104106	CLIP-CORD VM0104106	5	EA	

LH DOOR ASSY





Item	Part No.	Name	Qty	Uom	NOTES
1	000943-000	PLUG, DOOR, WELD 48 LH	1	EA	
2	000080-000	48" LH DOOR GASKET	1	EA	
3	PB070145	SUPERWOOL 5" X 24" X 3'	1	EA	
4	000594-000	BLACK FIBERGLASS ROPE 3/8"	1	EA	
5	PE060032	GLASS (HEAT BARRIER) LH DF48DOOR	2	EA	
6	007221-000	LINER, DOOR, WELD ASM (Before 12/20/2012)	1	EA	
7	PB070145	SUPERWOOL 5" X 24" X 3'	1	EA	
8	008276-000	HINGE, DOOR	2	EA	
9	007202-000	DOOR, INNER HEAT SINK, VGCC/SC 48" LH	1	EA	
10	007222-000	PANEL, INSL, DOORSKIN, VGSC 18"	1	EA	
11	PE060046	J-MOLD LH SS (DF48 DOOR)	1	EA	
12	003012-000	DOOR HANDLE ENDCAP ASSY, RH (CHROME)	1	EA	
13	007203-000	SKIN, LH DOOR, VGSC 48"	1	EA	NO LONGER AVAILABLE
13	020038-002	LH DOOR SKIN KIT SRV, VGSC548 BK	1	EA	
13	020038-003	LH DOOR SKIN KIT SRV, VGSC548 BT	1	EA	
13	020038-004	LH DOOR SKIN KIT SRV, VGSC548 SG	1	EA	
13	020038-005	LH DOOR SKIN KIT SRV, VGSC548 GG	1	EA	
13	020038-006	LH DOOR SKIN KIT SRV, VGSC548 WH	1	EA	
13	020038-007	LH SVC DOOR SKIN KIT AL	1	EA	Not available online / Call for pricing and availability
13	020038-008	LH DOOR SKIN KIT SRV, VGSC548 BU	1	EA	
13	020038-009	LH DOOR SKIN KIT SRV, VGSC548 LE	1	EA	
13	020038-010	LH DOOR SKIN KIT SRV, VGSC548 MJ	1	EA	
13	020038-011	LH SVC DOOR SKIN KIT FG	1	EA	Not available online / Call for pricing and availability



Item	Part No.	Name	Qty	Uom	NOTES
13	020038-012	LH DOOR SKIN KIT SRV, VGSC548 VB	1	EA	
13	020038-013	LH DOOR SKIN KIT SRV, VGSC548 CB	1	EA	
13	020038-014	LH SVC DOOR SKIN KIT EP	1	EA	Not available online / Call for pricing and availability
13	020038-015	LH DOOR SKIN KIT SRV, VGSC548 PL	1	EA	
13	020038-016	LH DOOR SKIN KIT SRV, VGSC548 CH	1	EA	NO LONGER AVAILABLE
13	020038-017	LH DOOR SKIN KIT SRV, VGSC548 TP	1	EA	
13	020038-018	LH DOOR SKIN KIT SRV, VGSC548 CW NLA	1	EA	
13	020038-019	LH DOOR SKIN KIT SRV, VGSC548 OG	1	EA	
13	020038-020	LH DOOR SKIN KIT SRV, VGSC548 GM	1	EA	
13	020038-021	LH DOOR SKIN KIT SRV, VGSC548 SA	1	EA	
13	020038-022	LH DOOR SKIN KIT SRV, VGSC548 SE	1	EA	
13	020038-023	LH DOOR SKIN KIT SRV, VGSC548 IB	1	EA	
13	020038-024	LH DOOR SKIN KIT SRV, VGSC548 AR	1	EA	
13	020038-025	LH DOOR SKIN KIT SRV, VGSC548 RR	1	EA	Not available online / Call for pricing and availability
13	020038-026	LH DOOR SKIN KIT SRV, VGSC548 PM	1	EA	
13	020038-027	LH DOOR SKIN KIT SRV, VGSC548 MS	1	EA	
13	020038-102	LH SVC DOOR SKIN KIT BKBR	1	EA	Not available online / Call for pricing and availability
13	020038-103	LH SVC DOOR SKIN KIT BTBR	1	EA	Not available online / Call for pricing and availability





Item	Part No.	Name	Qty	Uom	NOTES
13	020038-104	LH SVC DOOR SKIN KIT SGBR	1	EA	Not available online / Call for pricing and availability
13	020038-105	LH SVC DOOR SKIN KIT GGBR	1	EA	Not available online / Call for pricing and availability
13	020038-106	LH SVC DOOR SKIN KIT WHBR	1	EA	Not available online / Call for pricing and availability
13	020038-107	LH SVC DOOR SKIN KIT ALBR	1	EA	Not available online / Call for pricing and availability
13	020038-108	LH SVC DOOR SKIN KIT BUBR	1	EA	Not available online / Call for pricing and availability
13	020038-109	LH SVC DOOR SKIN KIT LEBR	1	EA	Not available online / Call for pricing and availability
13	020038-110	LH SVC DOOR SKIN KIT MJBR	1	EA	Not available online / Call for pricing and availability
13	020038-111	LH SVC DOOR SKIN KIT FGBR	1	EA	Not available online / Call for pricing and availability
13	020038-112	LH SVC DOOR SKIN KIT VBGR	1	EA	Not available online / Call for pricing and availability
13	020038-113	LH SVC DOOR SKIN KIT CBGR	1	EA	Not available online / Call for pricing and availability
13	020038-114	LH SVC DOOR SKIN KIT EPBR	1	EA	Not available online / Call for pricing and availability
13	020038-115	LH SVC DOOR SKIN KIT PLBR	1	EA	Not available online / Call for pricing and availability
13	020038-116	LH SVC DOOR SKIN KIT CHBR	1	EA	Not available online / Call for pricing and availability



Item	Part No.	Name	Qty	Uom	NOTES
13	020038-117	LH SVC DOOR SKIN KIT TPBR	1	EA	Not available online / Call for pricing and availability
13	020038-118	LH SVC DOOR SKIN KIT CWBR	1	EA	Not available online / Call for pricing and availability
13	020038-119	LH SVC DOOR SKIN KIT OGBR	1	EA	Not available online / Call for pricing and availability
13	020038-120	LH SVC DOOR SKIN KIT GMBR	1	EA	Not available online / Call for pricing and availability
13	020038-121	LH SVC DOOR SKIN KIT SABR	1	EA	Not available online / Call for pricing and availability
13	020038-122	LH SVC DOOR SKIN KIT SEBR	1	EA	Not available online / Call for pricing and availability
13	020038-123	LH SVC DOOR SKIN KIT IBBR	1	EA	Not available online / Call for pricing and availability
13	020038-124	LH SVC DOOR SKIN KIT ARBR	1	EA	Not available online / Call for pricing and availability
13	020038-125	LH SVC DOOR SKIN KIT RRBR	1	EA	Not available online / Call for pricing and availability
13	020038-126	LH SVC DOOR SKIN KIT PMBR	1	EA	Not available online / Call for pricing and availability
13	020038-127	LH SVC DOOR SKIN KIT MSBR	1	EA	Not available online / Call for pricing and availability
14	PE010030	LOGO 6" (VGRC) *BK*	1	EA	
15	003011-000	DOOR HANDLE ENDCAP ASSY, LH (CHROME)	1	EA	
16	006221-000	18" DOOR HANDLE, SST	1	EA	
17	008336-000	FRAME, GL	1	EA	
18	009830-000	RETAINER, INSL, LH	1	EA	



Item	Part No.	Name	Qty	Uom	NOTES
19	006225-000	BRACKET, DOOR, ASM, MT, VDSC 18"	1	EA	
20	009818-000	RETAINER, INSL, RH	1	EA	
21	PE060049	GLASS LH *TE* DF48DOOR	1	EA	
22	PD030006	CAPPED WASHER PAL NUT	2	EA	
23	020437-000	WINDOW HOLDER	1	EA	
24	A21014003	DOOR LINER MTG. BRKT.	2	EA	
25	006220-000	INSULATION, DOOR, SKIN, TOP, VDSC18"	1	EA	
26	000594-000	BLACK FIBERGLASS ROPE 3/8"	1	EA	
NI	007243-000	DOOR ASM, VGCC/SC LH SIDE (18")	1	EA	NO LONGER AVAILABLE
NI	007243-100	DOOR ASM, VGCC/SC548 LH, SSBR - NLA	1	EA	
NI	007241-002	DOOR ASM, VGCC/SC548 LH, BK	1	EA	
NI	007241-003	DOOR ASM, VGCC/SC548 LH, BT	1	EA	
NI	007241-004	DOOR ASM, VGCC/SC548 LH, SG	1	EA	
NI	007241-005	DOOR ASM, VGCC/SC548 LH, GG	1	EA	
NI	007241-006	DOOR ASM, VGCC/SC548 LH, WH	1	EA	
NI	007241-007	DOOR ASM, VGCC/SC548 LH, AL	1	EA	Not available online / Call for pricing and availability
NI	007241-008	DOOR ASM, VGCC/SC548 LH, BU	1	EA	
NI	007241-009	DOOR ASM, VGCC/SC548 LH, LE	1	EA	
NI	007241-010	DOOR ASM, VGCC/SC548 LH, MJ	1	EA	
NI	007241-011	DOOR ASM, VGCC/SC548 LH, FG	1	EA	Not available online / Call for pricing and availability
NI	007241-012	DOOR ASM, VGCC/SC548 LH, VB	1	EA	
NI	007241-013	DOOR ASM, VGCC/SC548 LH, CB	1	EA	

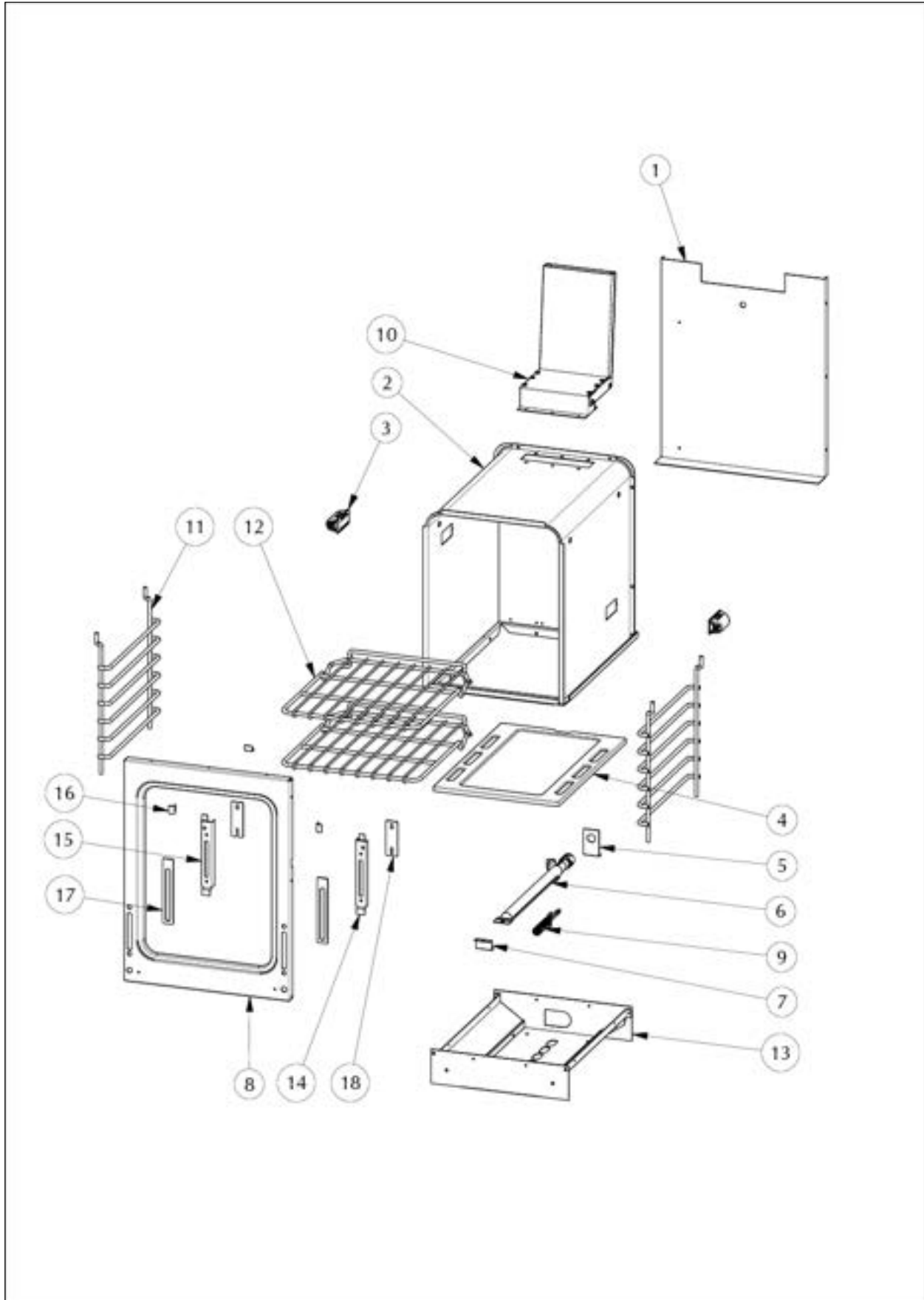


Item	Part No.	Name	Qty	Uom	NOTES
NI	007241-014	DOOR ASM, VGCC/SC548 LH, EP	1	EA	Not available online / Call for pricing and availability
NI	007241-015	DOOR ASM, VGCC/SC548 LH, PL	1	EA	
NI	007241-016	DOOR ASM, VGCC/SC548 LH, CH	1	EA	
NI	007241-017	DOOR ASM, VGCC/SC548 LH, TP	1	EA	
NI	007241-018	DOOR ASM, VGCC/SC548 LH, CW NLA	1	EA	
NI	007241-019	DOOR ASM, VGCC/SC548 LH, OG	1	EA	
NI	007241-020	DOOR ASM, VGCC/SC548 LH, GM	1	EA	
NI	007241-021	DOOR ASM, VGCC/SC548 LH, SA	1	EA	
NI	007241-022	DOOR ASM, VGCC/SC548 LH, SE	1	EA	
NI	007241-023	DOOR ASM, VGCC/SC548 LH, IB	1	EA	
NI	007241-024	DOOR ASM, VGCC/SC548 LH, AR	1	EA	
NI	007241-025	DOOR ASM, VGCC/SC548 LH, RR	1	EA	
NI	007241-026	DOOR ASM, VGCC/SC548 LH, PM	1	EA	
NI	007241-027	DOOR ASM, VGCC/SC548 LH, MS	1	EA	
NI	007241-002	DOOR ASM, VGCC/SC548 LH, BK	1	EA	
NI	007241-003	DOOR ASM, VGCC/SC548 LH, BT	1	EA	
NI	007241-004	DOOR ASM, VGCC/SC548 LH, SG	1	EA	
NI	007241-005	DOOR ASM, VGCC/SC548 LH, GG	1	EA	
NI	007241-006	DOOR ASM, VGCC/SC548 LH, WH	1	EA	
NI	007241-007	DOOR ASM, VGCC/SC548 LH, AL	1	EA	Not available online / Call for pricing and availability



Item	Part No.	Name	Qty	Uom	NOTES
NI	007241-008	DOOR ASM, VGCC/SC548 LH, BU	1	EA	
NI	007241-009	DOOR ASM, VGCC/SC548 LH, LE	1	EA	
NI	007241-010	DOOR ASM, VGCC/SC548 LH, MJ	1	EA	
NI	007241-011	DOOR ASM, VGCC/SC548 LH, FG	1	EA	Not available online / Call for pricing and availability
NI	007241-012	DOOR ASM, VGCC/SC548 LH, VB	1	EA	
NI	007241-013	DOOR ASM, VGCC/SC548 LH, CB	1	EA	
NI	007241-014	DOOR ASM, VGCC/SC548 LH, EP	1	EA	Not available online / Call for pricing and availability
NI	007241-015	DOOR ASM, VGCC/SC548 LH, PL	1	EA	
NI	007241-016	DOOR ASM, VGCC/SC548 LH, CH	1	EA	
NI	007241-017	DOOR ASM, VGCC/SC548 LH, TP	1	EA	
NI	007241-018	DOOR ASM, VGCC/SC548 LH, CW NLA	1	EA	
NI	007241-019	DOOR ASM, VGCC/SC548 LH, OG	1	EA	
NI	007241-020	DOOR ASM, VGCC/SC548 LH, GM	1	EA	
NI	007241-021	DOOR ASM, VGCC/SC548 LH, SA	1	EA	
NI	007241-022	DOOR ASM, VGCC/SC548 LH, SE	1	EA	
NI	007241-023	DOOR ASM, VGCC/SC548 LH, IB	1	EA	
NI	007241-024	DOOR ASM, VGCC/SC548 LH, AR	1	EA	
NI	007241-025	DOOR ASM, VGCC/SC548 LH, RR	1	EA	
NI	007241-026	DOOR ASM, VGCC/SC548 LH, PM	1	EA	
NI	007241-027	DOOR ASM, VGCC/SC548 LH, MS	1	EA	

## LH OVEN CAVITY





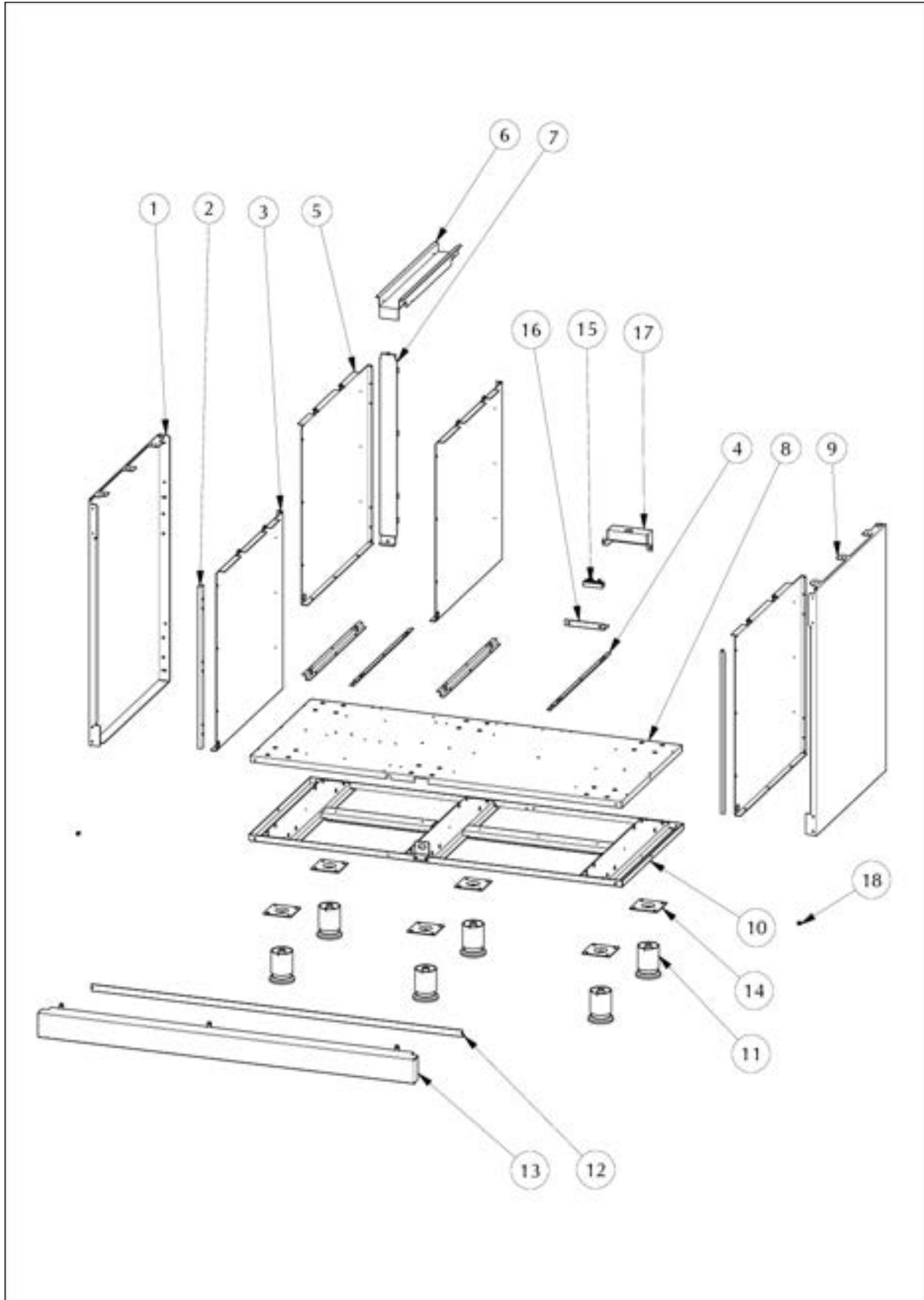
Item	Part No.	Name	Qty	Uom	NOTES
1	007705-000	COVER, INSIDE BACK, VGSC 18"	1	EA	
2	008611-000	OVEN CAVITY, 48 LH PORC ASM	1	EA	
3	068653-601	LIGHT, 120V/25W, G9, HALOGEN, SIDE	2	EA	
4	068457-000	ASM, BOTTOM, CAVITY OVEN GAS 18" GRAY	1	EA	
Not Shown	NOTE	(INCLUDES HEAT SHIELD)		EA	
5	005529-000	BAKE ORIFICE MOUNTING BRACKET	1	EA	
6	009225-000	BURNER ASM, NAT.	1	EA	
7	B2004415	BURNER BRACKET (VGSC306)	1	EA	
8	023093-000	FRONT FRAME, ASSY	1	EA	
9	PB040170	BAKE IGNITION ELECTRODE	1	EA	
10	006192-000	VENT, ASM, OVEN ASSEMBLY	1	EA	
11	PB060030	RACK SUPT REPL PB060010	2	EA	
12	PB060046	OVEN RK VDSC48-LH REPL PB060023	2	EA	
Not Shown	NOTE	(BEFORE 12/20/12)		EA	
12	065783-000	RACK, PRO, W/HDL, 18", VGR	2	EA	
Not Shown	NOTE	(ON OR AFTER 12/20/12)		EA	
13	007205-000	BURNER PAN ASM	1	EA	Not available online / Call for pricing and availability
14	E2109638	BRACKET, HINGE RECPT RH	2	EA	NOT FIELD REPLACEABLE, Not available online / Call for pricing and availability
15	E21012644	BRACKET, HINGE RECPT LH	1	EA	Not available online / Call for pricing and availability
16	006050-000	BRACKET, FR, FRONT	3	EA	
17	007259-000	SHIM - NLA	2	EA	
18	007278-000	ARM HINGE CLIP	2	EA	



Item	Part No.	Name	Qty	Uom	NOTES
Not Shown	NOTE	(BEFORE 01/02/13)		EA	
18	049718-402	CLIP, RETAINER, HINGE, GLOSS BLACK ENAMEL	2	EA	
Not Shown	NOTE	(AFTER 01/02/813)		EA	
NI	023943-000	KIT,FRNT FRAME, BRNR BRKT, DOOR BRKT ASM	1	EA	
NI	018022-000	CAPSULE LAMP G9 25W 230V	2	EA	



# LOWER UNIT AND SIDE PANEL





Item	Part No.	Name	Qty	Uom	NOTES
1	003588-000	SIDE PANEL, LH, SS	1	EA	
Not Shown	NOTE	(BEFORE 06/13/12)		EA	
1	019123-000	PANEL, SIDE, LEFT, SS	1	EA	
Not Shown	NOTE	(BETWEEN 06/13/12 THRU 04/05/16)		EA	
1	058838-000	PANEL, SIDE, LH, VGR548	1	EA	Not available online / Call for pricing and availability
Not Shown	NOTE	(ON OR AFTER 04/05/16)		EA	
1	005505-002	PANEL, SIDE, DECARB, RH, BK	1	EA	
Not Shown	NOTE	(BEFORE 06/13/12)		EA	
1	021310-002	PANEL, SIDE, LEFT- CRS BK	1	EA	
Not Shown	NOTE	(ON OR AFTER 06/13/12)		EA	
1	005505-005	PANEL, SIDE, DECARB, RH, GG	1	EA	
Not Shown	NOTE	(BEFORE 06/13/12)		EA	
1	021310-005	PANEL, SIDE, LEFT- CRS GG	1	EA	
Not Shown	NOTE	(ON OR AFTER 06/13/12)		EA	
1	005505-006	PANEL, SIDE, DECARB, RH, WH	1	EA	NO LONGER AVAILABLE
Not Shown	NOTE	(BEFORE 06/13/12)		EA	
1	021310-006	PANEL, SIDE, LEFT- CRS WH	1	EA	
Not Shown	NOTE	(ON OR AFTER 06/13/12)		EA	
1	005505-008	PANEL, SIDE, DECARB, RH, BU	1	EA	
Not Shown	NOTE	(BEFORE 06/13/12)		EA	
1	021310-008	PANEL, SIDE, LEFT- CRS BU	1	EA	
Not Shown	NOTE	(ON OR AFTER 06/13/12)		EA	
1	005505-013	PANEL, SIDE, DECARB, RH, CB	1	EA	
Not Shown	NOTE	(BEFORE 06/13/12)		EA	
1	021310-013	PANEL, SIDE, LEFT- CRS CB	1	EA	



Item	Part No.	Name	Qty	Uom	NOTES
Not Shown	NOTE	(ON OR AFTER 06/13/12)		EA	
1	005505-024	PANEL, SIDE, DECARB, RH, AR	1	EA	
Not Shown	NOTE	(BEFORE 06/13/12)		EA	
1	021310-024	PANEL, SIDE, LEFT- CRS AR	1	EA	
Not Shown	NOTE	(ON OR AFTER 06/13/12)		EA	
2	005536-000	TRIM	2	EA	
3	004482-000	INSULATION, PNL, SIDE, LH	2	EA	
4	A2004429	OVEN BOTTOM INSUL. BRACE (VGSC306)	4	EA	
5	004479-000	INSULATION, PNL, SIDE, RH	2	EA	
6	008638-000	OVEN DIVIDER	1	EA	
7	009820-000	TRIM, CTR, GAS 48" ASM	1	EA	
8	007193-000	BASE TOP PLATE	1	EA	
9	002905-000	SIDE PANEL, RH, SST	1	EA	
Not Shown	NOTE	(BEFORE 06/13/12)		EA	
9	019124-000	PANEL, SIDE, RIGHT	1	EA	
Not Shown	NOTE	(BETWEEN 06/13/12 THRU 04/05/16)		EA	
9	056873-000	PANEL, SIDE, RH	1	EA	
Not Shown	NOTE	(ON OR AFTER 04/05/16)		EA	
9	004645-002	SIDE PANEL, RH ASSY, PAINTED BK	1	EA	
Not Shown	NOTE	(BEFORE 06/13/12)		EA	
9	021309-002	PANEL, SIDE, RIGHT- CRS BK	1	EA	
Not Shown	NOTE	(ON OR AFTER 06/13/12)		EA	
9	004645-005	SIDE PANEL, RH ASSY, PAINTED GG	1	EA	
Not Shown	NOTE	(BEFORE 06/13/12)		EA	
9	021309-005	PANEL, SIDE, RIGHT- CRS GG	1	EA	
Not Shown	NOTE	(ON OR AFTER 06/13/12)		EA	



Item	Part No.	Name	Qty	Uom	NOTES
9	004645-006	SIDE PANEL, RH ASSY, PAINTED WH	1	EA	
Not Shown	NOTE	(BEFORE 06/13/12)		EA	
9	021309-006	PANEL, SIDE, RIGHT- CRS WH	1	EA	
Not Shown	NOTE	(ON OR AFTER 06/13/12)		EA	
9	004645-008	SIDE PANEL, RH ASSY, PAINTED BU	1	EA	
Not Shown	NOTE	(BEFORE 06/13/12)		EA	
9	021309-008	PANEL, SIDE, RIGHT- CRS BU	1	EA	
Not Shown	NOTE	(ON OR AFTER 06/13/12)		EA	
9	004645-013	SIDE PANEL, RH ASSY, PAINTED CB	1	EA	
Not Shown	NOTE	(BEFORE 06/13/12)		EA	
9	021309-013	PANEL, SIDE, RIGHT- CRS CB	1	EA	
Not Shown	NOTE	(ON OR AFTER 06/13/12)		EA	
9	004645-024	SIDE PANEL, RH ASSY, PAINTED AR	1	EA	
Not Shown	NOTE	(BEFORE 06/13/12)		EA	
9	021309-024	PANEL, SIDE, RIGHT- CRS AR	1	EA	
Not Shown	NOTE	(ON OR AFTER 06/13/12)		EA	
10	024942-000	BASE, BOT, 48" GAS	1	EA	
11	044178-000	RANGE, LEG, ADJUSTABLE	6	EA	
12	009280-000	SPACER, BOT, 48" GAS RANGES	1	EA	
13	009568-000	KICKPLATE, RNG, SST, VDSC 48"	1	EA	
Not Shown	NOTE	(BEFORE 06/14/13)		EA	
13	038605-000	KICKPLATE, RNG	1	EA	
Not Shown	NOTE	(ON OR AFTER 06/14/13)		EA	
13	009630-002	KICKPLATE, RNG, BK	1	EA	

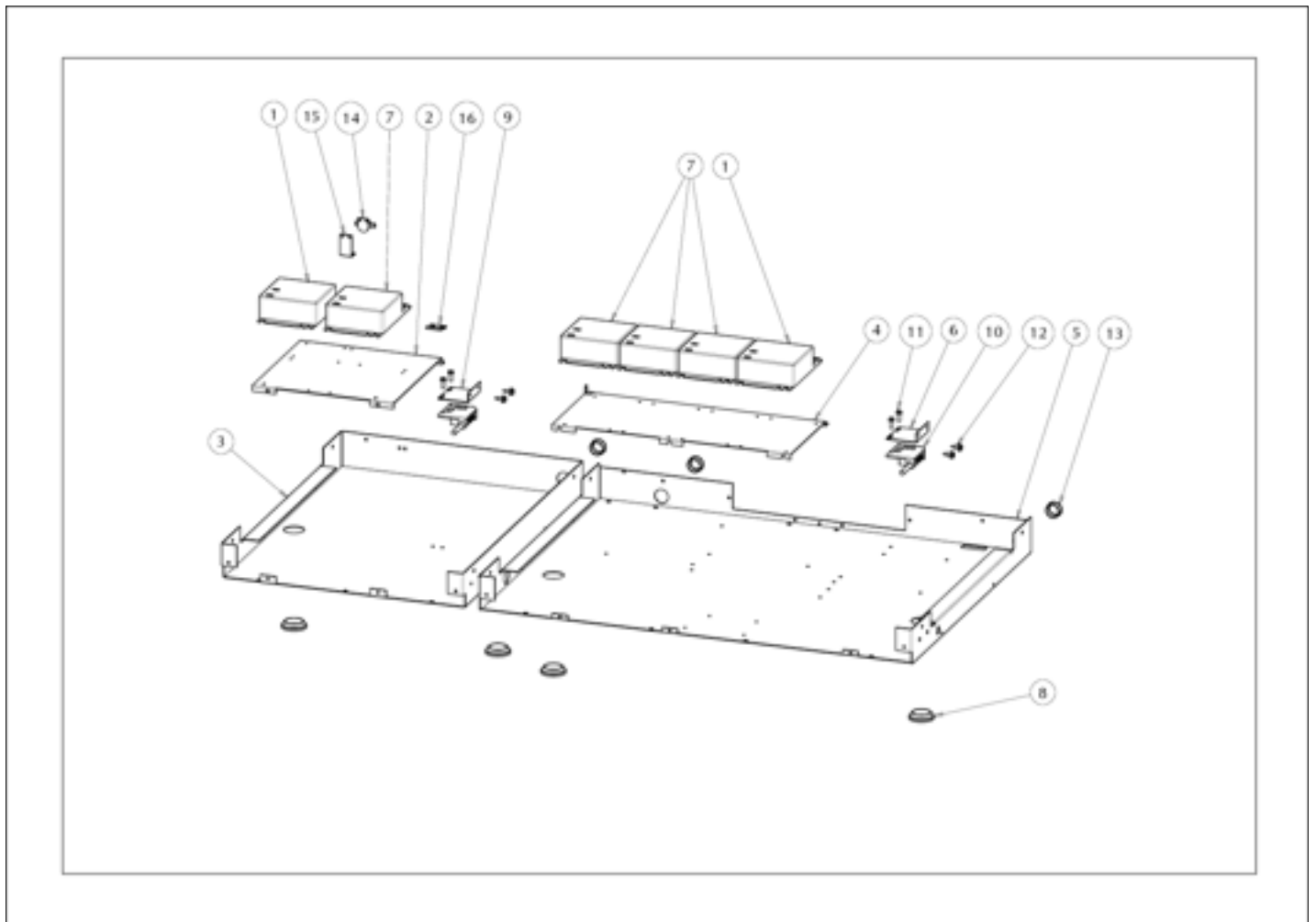


Item	Part No.	Name	Qty	Uom	NOTES
Not Shown	NOTE	(BEFORE 06/14/13)		EA	
13	038606-002	KICKPLATE, RNG, DCBZ BK	1	EA	
Not Shown	NOTE	(ON OR AFTER 06/14/13)		EA	
13	009630-005	KICKPLATE, RNG - GG	1	EA	
Not Shown	NOTE	(BEFORE 06/14/13)		EA	
13	038606-005	KICKPLATE, RNG, DCBZ GG	1	EA	
Not Shown	NOTE	(ON OR AFTER 06/14/13)		EA	
13	009630-006	KICKPLATE, RANGE - WH	1	EA	
Not Shown	NOTE	(BEFORE 06/14/13)		EA	
13	038606-006	KICKPLATE, RNG, DCBZ WH	1	EA	
Not Shown	NOTE	(ON OR AFTER 06/14/13)		EA	
13	009630-008	KICKPLATE, VGSC548, BU	1	EA	
Not Shown	NOTE	(BEFORE 06/14/13)		EA	
13	038606-008	KICKPLATE, RNG, DCBZ BU	1	EA	
Not Shown	NOTE	(ON OR AFTER 06/14/13)		EA	
13	009630-013	KICKPLATE, RNG CB	1	EA	
Not Shown	NOTE	(BEFORE 06/14/13)		EA	
13	038606-013	KICKPLATE, RNG, DCBZ CB	1	EA	
Not Shown	NOTE	(ON OR AFTER 06/14/13)		EA	
13	009630-024	KICKPLATE, RANGE - AR	1	EA	
Not Shown	NOTE	(BEFORE 06/14/13)		EA	
13	038606-024	KICKPLATE, RNG, DCBZ AR	1	EA	
Not Shown	NOTE	(ON OR AFTER 06/14/13)		EA	
14	PC030007	LEG PLATE - 3/4" THREADED HOLE	6	EA	
15	PE050001	TERMINAL BOARD	1	EA	
16	007484-000	TERMINAL, BLOCK, BRACKET	1	EA	



Item	Part No.	Name	Qty	Uom	NOTES
17	006945-000	COVER, TERM, BLOCK	1	EA	
18	003801-000	SHOULDER SCREW, #10	1	EA	
NI	PE070207	SUPPLY CORD (EUROPEAN)	1	EA	NO LONGER AVAILABLE, Not available online / Call for pricing and availability

OVEN ELECTRONICS





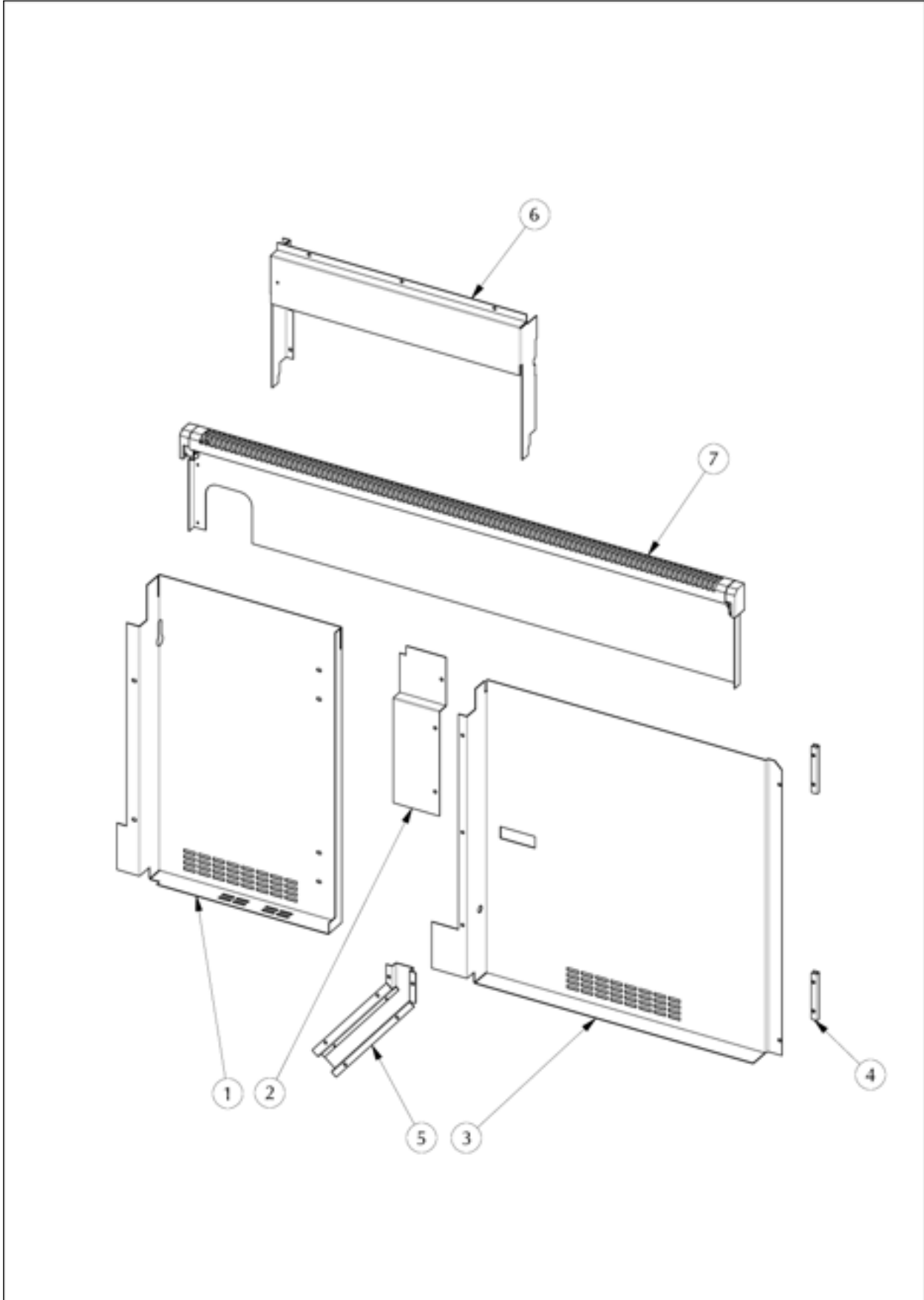
Item	Part No.	Name	Qty	Uom	NOTES
1	027348-000	DSI RETROFIT SERVICE KIT P1- NLA SEE BULLETIN TC- 0063D-SP	2	EA	
Comments for Part Num. 027348-000					
gboltz@VikingRange.com on Jan 20, 2017					
See service bulletin TC-0063D-SP					
Not Shown	NOTE	(Before January 2011)		EA	
1	018610-000	DSI230-2-LVS-C OVEN	2	EA	Not available online / Call for pricing and availability
Not Shown	NOTE	(After January 2011)		EA	
2	008011-000	36" ELECTRONIC PLATE	1	EA	
3	007374-000	TOP, LH CAB, VGSC 48"	1	EA	
4	005315-000	TRAY, ELEX, 30", GSC	1	EA	
5	004628-000	TOP, CAB	1	EA	
6	A20012649	DOOR SWITCH BRACKET	1	EA	
7	NA YET	CONVERSION KIT TO 018609- 000 DSI MODULE	4	EA	
Not Shown	NOTE	(BEFORE 12/03/2010)		EA	
7	042721-507	DSI230 SHORT PURGE ASSY	4	EA	
Not Shown	NOTE	(AFTER 12/03/2010)		EA	
8	PB070079	SILICONE EXTRUSION (DGSU)	4	EA	Not available online / Call for pricing and availability
9	A20012649	DOOR SWITCH BRACKET	2	EA	Not available online / Call for pricing and availability
10	PE050208	DOOR SWITCH	2	EA	Not available online / Call for pricing and availability
11	PD020060	10 X 1/2 (5/16)HEX WSHER HD.(T)A	4	EA	Not available online / Call for pricing and availability





Item	Part No.	Name	Qty	Uom	NOTES
12	003860-000	10-18 X .500 FASTNR,SCR,HXWH,STL,ZPLT	4	EA	Not available online / Call for pricing and availability
13	PD040005	SNAP BUSHING, 7/8	3	EA	Not available online / Call for pricing and availability
14	PJ030039	BI-METAL THERMOSTAT 275 DEGREES	1	EA	
15	A20014089	DISC BRACKET	1	EA	
16	008012-000	BOARD CLIP	1	EA	

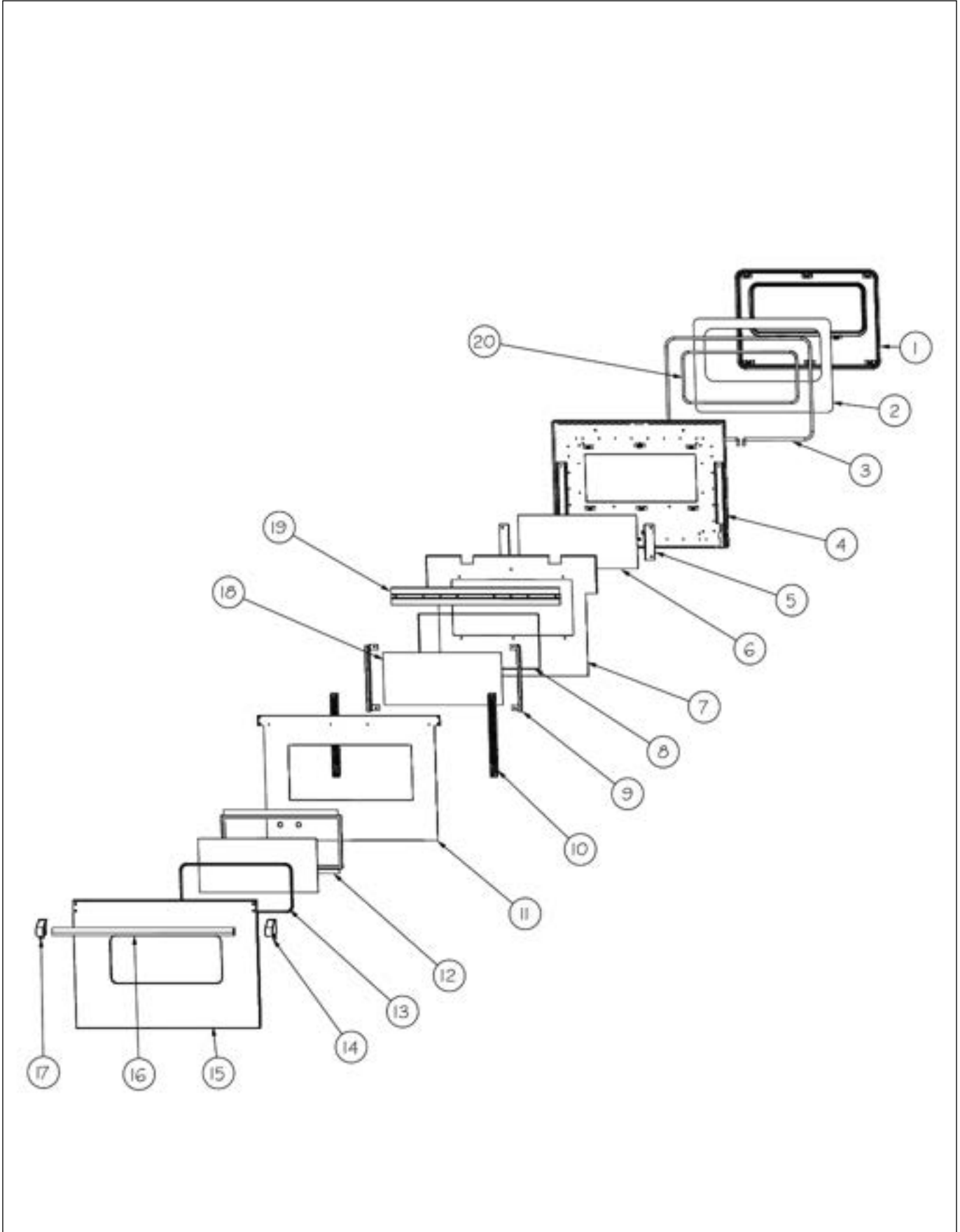
REAR SHEET METAL





Item	Part No.	Name	Qty	Uom	NOTES
1	007701-000	COVER, 18" BACK VGSC	1	EA	
2	006962-000	COVER, INL, BACK	1	EA	
3	004625-000	PANEL, BACK, OUTER, 30"	1	EA	
4	006744-000	STANDOFF, CAB, VGSC	2	EA	Not available online / Call for pricing and availability
5	006949-000	DUCT, AIR, ASM	1	EA	
6	006961-000	BACK COLLAR	1	EA	
7	041509-000	TRIM, IS, ASSY, 48"	1	EA	

RH DOOR ASSY



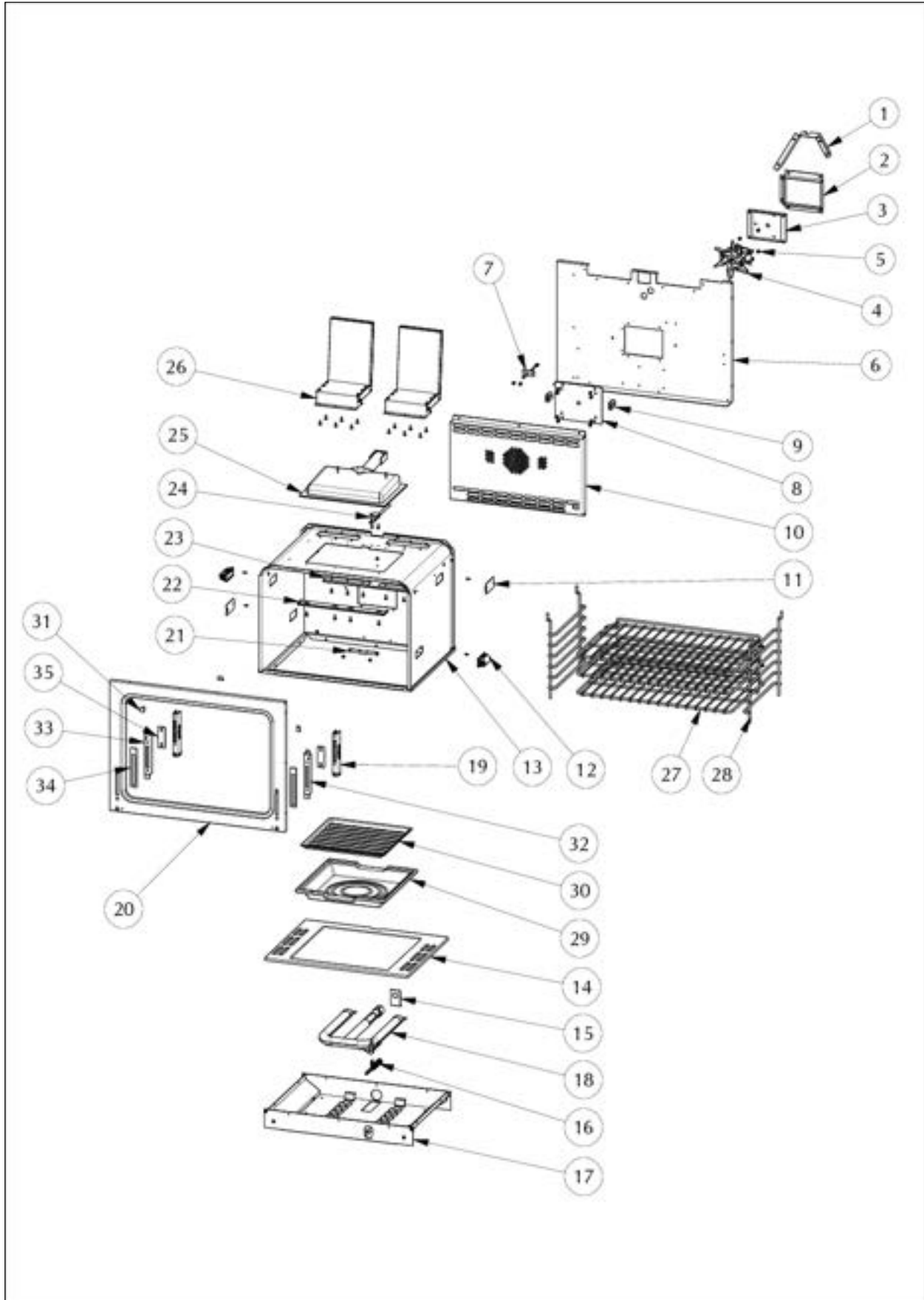


Item	Part No.	Name	Qty	Uom	NOTES
1	001142-000	PLUG, DOOR, ASM, PORCELAIN	1	EA	NO LONGER AVAILABLE
Comments for Part Num. 001142-000					
bradleysapplianceservice@shaw.ca on Nov 2, 2015					
001142-000 PLUG, DOOR, ASM, PORCELAIN (GREY WITH WHITE SPECS) OLD STYLE					
001142-402 PLUG, DOOR, ASM, PORCELAIN BK (BLACK LINER) NEW STYLE					
2	002560-000	DOOR PLUG INSULATION	1	EA	
3	000042-000	30" DOOR GASKET	1	EA	
4	004691-000	DOOR LINER ASSY	1	EA	NO LONGER AVAILABLE
Comments for Part Num. 004691-000					
profixappliances@gmail.com on Dec 29, 2017					
004691-000 IS SPECKLED FINISH, FOR ALL BLACK FINISH ORDER 004691-402.					
5	A2002189	DOOR GLASS STANDOFF (VDSC)	2	EA	
6	PE060039	GLASS-HEAT TREATED (HB2) VDSC	2	EA	
7	004688-000	DOOR PANEL INSULATION LINER	1	EA	
8	007583-000	BRACKET, GLASS	1	EA	
9	004687-000	WDO BRACKET	1	EA	
10	002740-000	DOOR HINGE	2	EA	See TC-0121- SP Service Bulletin
11	004684-000	PANEL, DOOR, INSULATION, GSC	1	EA	
12	NOT FIELD REPLACEABLE	FRAME, GLASS, ALUMINUM	1	EA	
Not Shown	NOTE	(MUST ORDER ITEM 15)		EA	
13	NOT FIELD REPLACEABLE	J-MOLD (LARGE WINDOW)	1	EA	
Not Shown	NOTE	(MUST ORDER ITEM 15)		EA	
14	003012-000	DOOR HANDLE ENDCAP ASSY, RH (CHROME)	1	EA	
14	003012-100	DOOR HANDLE ENDCAP ASSY, RH (BRASS) - NLA	1	EA	



Item	Part No.	Name	Qty	Uom	NOTES
Comments for Part Num. 003012-100					
parts@lvdistributes.com on Apr 23, 2018 number 16 brass end cap should be number 15					
15	023649-000	48" DOOR SKIN SRV KIT, RH SS	1	EA	
15	020032-002	48" DOOR SKIN SRV KIT RH, BK	1	EA	
15	020032-005	48" DOOR SKIN SRV KIT, RH GG	1	EA	
15	020032-006	48" DOOR SKIN SRV KIT, RH WH	1	EA	
15	020032-008	48" DOOR SKIN SRV KIT, RH BU	1	EA	
15	020032-013	48" DOOR SKIN SRV KIT, RH CB	1	EA	
15	020032-024	48" DOOR SKIN SRV KIT, RH AR	1	EA	
16	002728-000	DOOR HANDLE - SS, 1.25" 29.5	1	EA	
17	003011-000	DOOR HANDLE ENDCAP ASSY, LH (CHROME)	1	EA	
17	003011-100	DOOR HANDLE ENDCAP ASSY, LH (BRASS)	1	EA	
18	NOT FIELD REPLACEABLE	RACK SUPT REPL PB060010	1	EA	
Not Shown	NOTE	(MUST ORDER ITEM 15)		EA	
19	006553-000	DOOR BRACKET, WELD ASSY	1	EA	
20	000594-000	BLACK FIBERGLASS ROPE 3/8"	1	EA	
NI	006468-000	DOOR ASSEMBLY - SS (INCLUDES ITEMS 1 - 12)	1	EA	NO LONGER AVAILABLE
Comments for Part Num. 006468-000					
bradleysapplianceservice@shaw.ca on Nov 2, 2015 006468-402 DOOR ASSY, SS VGCC530 BK (BLACK LINER) NEW STYLE 006468-000 DOOR ASSY, SS VGCC530 (GREY WITH WHITE SPEC LINER) OLD STYLE					

## RH OVEN CAVITY





Item	Part No.	Name	Qty	Uom	NOTES
1	006946-000	SHIELD, BRL, EXHAUST	1	EA	Not available online / Call for pricing and availability
2	A2008467	INSULATION SHIELD	1	EA	
3	A2002595	CONVECTION FAN BOX (VDSC)	1	EA	
4	PE050057	CONVECTION FAN (VGSC306)	1	EA	
4	027009-000	CONVECTION FAN MOTOR	1	EA	
Not Shown	NOTE	(230V Convection Fan Motor 027009-000 after (date NA yet)		EA	
5	PD020048	NO.10 X 1/2 TEK 410 SS SCREW	41	EA	
6	004626-000	PANEL, BACK, INSULATION, 30"	1	EA	Not available online / Call for pricing and availability
7	PE050206	RTD THERMOSTAT PROBE	1	EA	
8	A1002596	CONVECTION FAN COVER (VDSC)	1	EA	
9	A2001361	BACK SPACER (VGSC/VGSS)	2	EA	
10	01225-000	CONVECTION FAN COVER ASSY (VGSC306)	1	EA	Not available online / Call for pricing and availability
11	E91012614	LIGHT HOLE COVER	2	EA	
12	068653-601	LIGHT, 120V/25W, G9, HALOGEN, SIDE	2	EA	
13	005047-000	OVEN CAVITY WELD	1	EA	Not available online / Call for pricing and availability
14	068456-000	ASM, BOTTOM, CAVITY, OVEN, GAS, 30", GRAY	1	EA	
Not Shown	NOTE	(INCLUDES HEAT SHIELD)	1	EA	
15	005529-000	BAKE ORIFICE MOUNTING BRACKET	1	EA	
16	PB040170	BAKE IGNITION ELECTRODE	1	EA	
17	005102-000	BURNER PAN ASSEMBLY	1	EA	
18	005329-000	BURNER, OVEN, ASM	1	EA	
19	031679-000	RECEPTACLE, HINGE	2	EA	
20	005373-000	30" FRONT FRAME WELD ASSY	1	EA	



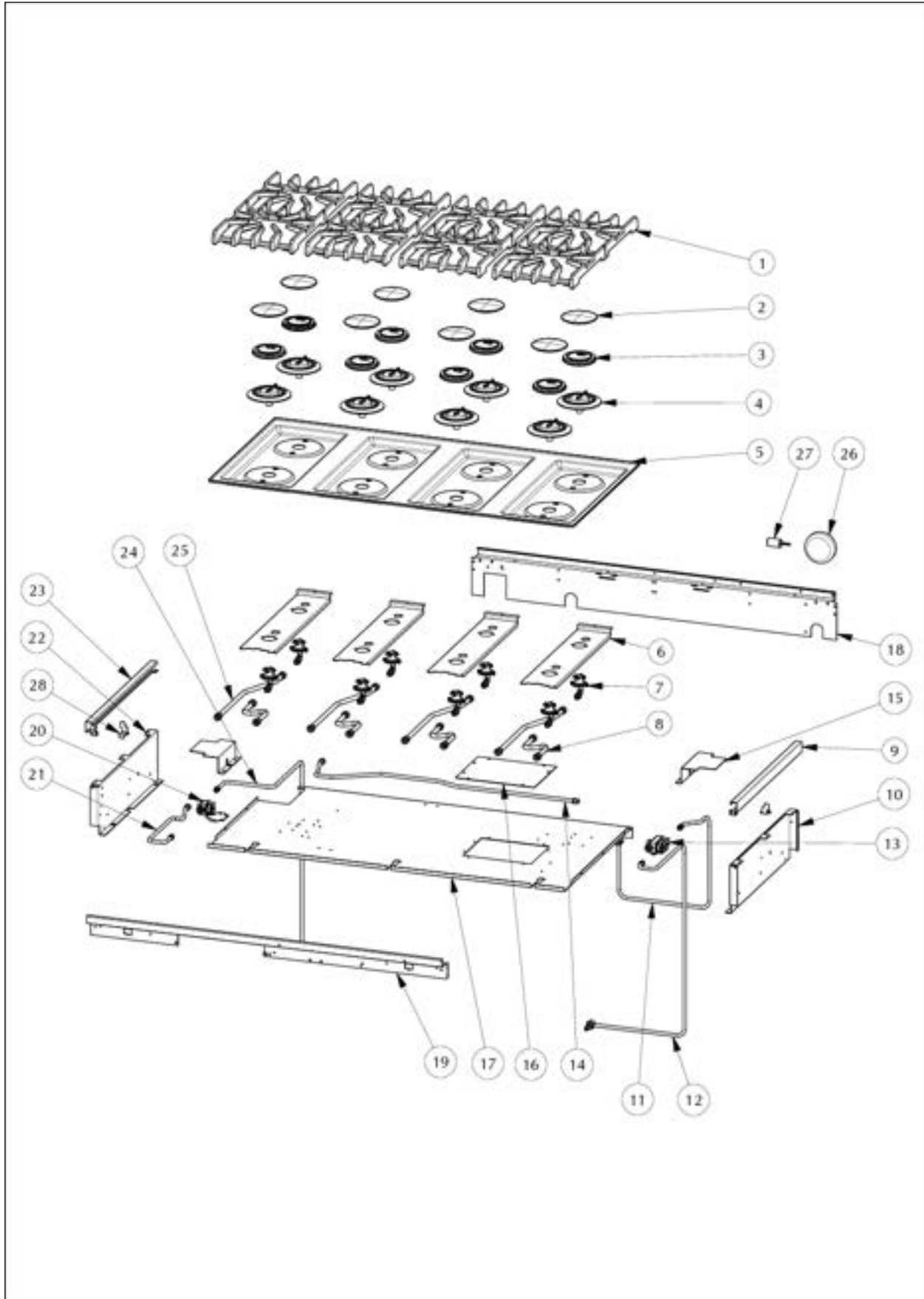


Item	Part No.	Name	Qty	Uom	NOTES
21	A2004428	REAR BOTTOM BRCKT (VGSC306)	1	EA	
22	B2001448	IR BROIL SUPT (FRONT)	1	EA	
23	B2005589	REAR BROILER BRACKET	1	EA	Not available online / Call for pricing and availability
24	PB040171	BROIL IGNITION ELECTRODE	1	EA	
25	G3001876	IR BURNER ASSY (VGSC/RC) N/S	1	EA	
26	006192-000	VENT, ASM, OVEN ASSEMBLY	2	EA	
27	PB060044	OVEN RK VDSC30/48RH REPL PB060019	3	EA	
Not Shown	NOTE	(BEFORE 12/20/12)		EA	
27	065467-000	RACK, PRO, W/HDL, 30"	1	EA	
Not Shown	NOTE	(ON OR AFTER 12/20/12)		EA	
NI	065730-000	RACK, GLIDE, 30", W/HDL, ASSY	2	EA	
Not Shown	NOTE	(ON OR AFTER 12/20/12)		EA	
28	PB060030	RACK SUPT REPL PB060010	2	EA	
29	E9107933	BROILER PAN	1	EA	
30	E9107934	BROILER PAN INSERT - NLA	1	EA	
NI	018022-000	CAPSULE LAMP G9 25W 230V	2	EA	
31	006050-000	BRACKET, FR, FRONT	3	EA	
32	E2109638	BRACKET, HINGE RECPT RH	1	EA	NOT FIELD REPLACEABLE, Not available online / Call for pricing and availability
33	E21012644	BRACKET, HINGE RECPT LH	1	EA	Not available online / Call for pricing and availability
34	007259-000	SHIM - NLA	2	EA	
35	007278-000	ARM HINGE CLIP	2	EA	
Not Shown	NOTE	(BEFORE 01/02/13)		EA	
35	049718-402	CLIP, RETAINER, HINGE, GLOSS BLACK ENAMEL	2	EA	



Item	Part No.	Name	Qty	Uom	NOTES
Not Shown	NOTE	(AFTER 01/02/813)		EA	

## SURFACE COOKING AREA



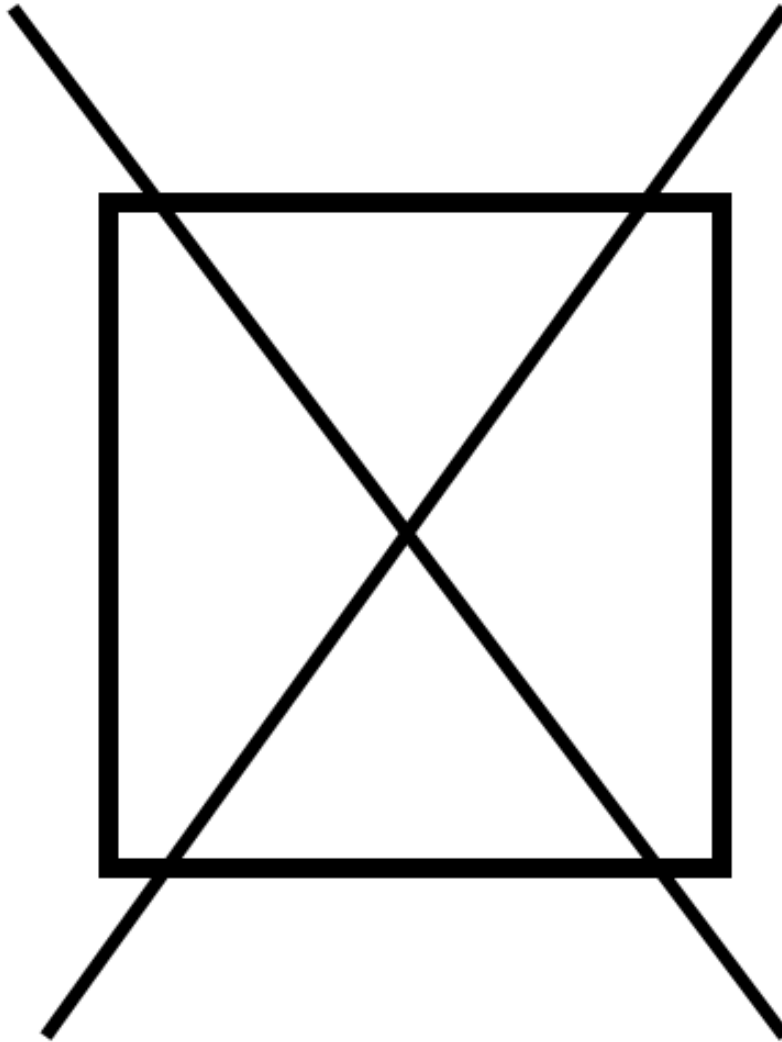


Item	Part No.	Name	Qty	Uom	NOTES
1	007323-000	BURNER GRATE	8	EA	
Not Shown	NOTE	(BEFORE 11/21/14)		EA	
1	049420-000	GRATE, BURNER, ASM	8	EA	
Not Shown	NOTE	(ON OR AFTER 11/21/14)		EA	
NI	074892-000	RUBBER FOOT	32	EA	
Not Shown	NOTE	(BEFORE 11/21/14)		EA	
NI	049416-000	BUMBER, GRATE	32	EA	
Not Shown	NOTE	(ON OR AFTER 11/21/14)		EA	
2	066958-000	D BURNER CAP *MATTE BLACK*	8	EA	
3	018200-000	ADJUSTED SEALED BURNER HEAD	8	EA	
4	003322-041	SEALED BURNER BASE, PAINTED FINISH- GRAY	8	EA	
5	E2109800BK	TOP SURFACE, 48, 8B - BK	1	EA	Not available online / Call for pricing and availability
6	002923-000	BURNER MODULE SUPPORT	4	EA	
7	066197-041	18500 BTU NAT JETHOLDER	1	EA	
7	066197-042	15000 BTU NAT JETHOLDER	7	EA	
Not Shown	NOTE	(For correct orifice, see chart)		EA	
8	PB020192	10" FLEX TUBING W/CONNECTORS	4	EA	
9	002920-000	TOP TRIM RING, RH	1	EA	
10	011077-000	SHIELD, HEAT, GRIDDLE, RH	1	EA	
11	012899-000	TUBING, VALVE TO BROIL ASM	1	EA	
Not Shown	NOTE	(For correct orifice, see chart)		EA	
12	011545-000	TUBING, MAIN, 48" OVEN ASSY	1	EA	
Not Shown	NOTE	(For correct orifice, see chart)		EA	
13	009112-000	VALVE, SOL, DOUBLE	1	EA	
14	011570-000	TUBING, VALVE TO VALVE ASSY	1	EA	



Item	Part No.	Name	Qty	Uom	NOTES
15	012965-000	COVER, SOL, LRG	2	EA	
16	009268-000	PLATE, SHORT FAN COVER	1	EA	
17	008450-000	PANEL, CTR	1	EA	
18	008609-000	SUPPORT, BACK	1	EA	
19	008461-000	SUPPORT, FRONT	1	EA	
20	009111-000	VALVE, SOL, SINGLE	1	EA	
21	011602-000	TUBING, VALVE TO MANIFOLD ASSY	1	EA	
22	016295-000	SIDE, GRILL BOX, RH	1	EA	
23	003649-000	TOP TRIM RING, LH	1	EA	
24	009821-000	TUBING, 18" OVEN ASSY	1	EA	
Not Shown	NOTE	(For correct orifice, see chart)		EA	
25	PB020193	16" FLEX TUBING W/CONNECTORS	4	EA	
26	018201-000	TRANSFO 160VA (AMPL-3N1756)	1	EA	
27	PJ030038	EMC FILTER	1	EA	
28	004021-000	SUPPORT,TRIM,SIDE	2	EA	

NON  
ILLUSTRATED PART



Item	Part No.	Name	Qty	Uom	NOTES
NI	009473-000	HARNESS, CONTROL 48" LH	1	EA	
NI	026098-000	HARNESS, WIRE 48" RH	1	EA	
NI	009474-000	HARNESS, MAIN, 48 LHÃ	1	EA	
Not Shown	NOTE	(BEFORE 12/29/10)		EA	
NI	025993-000	HARNESS, MAIN 48" L.H.	1	EA	
Not Shown	NOTE	(ON OR AFTER 12/29/10)		EA	
NI	G400936	GROUND WIRE	2	EA	Not available online / Call for pricing and availability
NI	PE070209	STRAIN RELIEF	1	EA	Not available online / Call for pricing and availability
NI	PE070207	SUPPLY CORD (EUROPEAN)	1	EA	NO LONGER AVAILABLE, Not available online / Call for pricing and availability
NI	018019-000	CE WIRE HARNESS -2	2	EA	
NI	018018-000	CE WIRE HARNESS -1	2	EA	
NI	018632-000	WIRE, IGNITOR, 38	1	EA	
NI	007298-000	BAKE IGNITOR WIRE, ASM	1	EA	
Not Shown	NOTE	(BEFORE 12/29/10)		EA	
NI	024606-000	WIRE, BAKE, ELECTRODE, ASM	1	EA	
Not Shown	NOTE	(ON OR AFTER 12/29/10)		EA	
NI	024605-000	WIRE, BRL, ELECTRODE, ASM	1	EA	
NI	009478-000	CONTROL PANEL HARNESS, VGSC548-6Q/8B	1	EA	Not available online / Call for pricing and availability
NI	009479-000	HARNESS, MAIN	1	EA	
Not Shown	NOTE	(BEFORE 12/29/10)		EA	
NI	025994-000	HARNESS, 48" VGCC	1	EA	
Not Shown	NOTE	(ON OR AFTER 12/29/10)		EA	
NI	PE070889	IRIS HARNESS (24"/30")	1	EA	



Item	Part No.	Name	Qty	Uom	NOTES
Not Shown	NOTE	(BEFORE 12/29/10)		EA	
NI	009476-000	HARNESS, POWER, 48"	1	EA	
Not Shown	NOTE	(BEFORE 12/29/10)		EA	
NI	PE070890	IRIS HARNESS - 36"	1	EA	
Not Shown	NOTE	(BEFORE 12/29/10)		EA	
NI	001134-000	IRIS HARNESS INSULATED CAP	1	EA	
Not Shown	NOTE	(BEFORE 12/29/10)		EA	
NI	001911-000	WIRE, ASSY, BAKE IGNITOR	1	EA	
Not Shown	NOTE	(BEFORE 12/29/10)		EA	
NI	024607-000	WIRE, GRDL, ELECTRODE, ASM	1	EA	
Not Shown	NOTE	(ON OR AFTER 12/29/10)		EA	





Appendix A:Pages Index

CONTROL AREA ..... 1  
LH DOOR ASSY ..... 2  
LH OVEN CAVITY ..... 3  
LOWER UNIT AND SIDE PANEL ..... 4  
OVEN ELECTRONICS ..... 5  
REAR SHEET METAL ..... 6  
RH DOOR ASSY ..... 7  
RH OVEN CAVITY ..... 8  
SURFACE COOKING AREA ..... 9  
UNIT WIRING ..... 10



Appendix B:Parts Index

000042-000	7	005102-000	8
000080-000	2	005269-000	1
000594-000	2, 2, 7	005315-000	5
000943-000	2	005329-000	8
001134-000	10	005373-000	8
001142-000	7	005505-002	4
001911-000	10	005505-005	4
002560-000	7	005505-006	4
002728-000	7	005505-008	4
002740-000	7	005505-013	4
002905-000	4	005505-024	4
002920-000	9	005529-000	3, 8
002923-000	9	005536-000	4
003011-000	2, 7	006050-000	3, 8
003011-100	7	006192-000	3, 8
003012-000	2, 7	006220-000	2
003012-100	7	006221-000	2
003322-041	9	006225-000	2
003588-000	4	006355-000	1
003649-000	9	006424-000	1
003719-000	1	006468-000	7
003801-000	4	006553-000	7
003860-000	5	006744-000	6
004021-000	9	006945-000	4
004479-000	4	006946-000	8
004482-000	4	006949-000	6
004625-000	6	006961-000	6
004626-000	8	006962-000	6
004628-000	5	007147-000	1
004645-002	4	007193-000	4
004645-005	4	007202-000	2
004645-006	4	007203-000	2
004645-008	4	007205-000	3
004645-013	4	007221-000	2
004645-024	4	007222-000	2
004684-000	7	007241-002	2, 2
004687-000	7	007241-003	2, 2
004688-000	7	007241-004	2, 2
004691-000	7	007241-005	2, 2
005047-000	8	007241-006	2, 2
		007241-007	2, 2



007241-008	2, 2	009112-000	9
007241-009	2, 2	009225-000	3
007241-010	2, 2	009268-000	9
007241-011	2, 2	009280-000	4
007241-012	2, 2	009473-000	10
007241-013	2, 2	009474-000	10
007241-014	2, 2	009476-000	10
007241-015	2, 2	009478-000	10
007241-016	2, 2	009479-000	10
007241-017	2, 2	009568-000	4
007241-018	2, 2	009630-002	4
007241-019	2, 2	009630-005	4
007241-020	2, 2	009630-006	4
007241-021	2, 2	009630-008	4
007241-022	2, 2	009630-013	4
007241-023	2, 2	009630-024	4
007241-024	2, 2	009818-000	2
007241-025	2, 2	009820-000	4
007241-026	2, 2	009821-000	9
007241-027	2, 2	009830-000	2
007243-000	2	011077-000	9
007243-100	2	011545-000	9
007259-000	3, 8	011570-000	9
007278-000	3, 8	011602-000	9
007298-000	10	01225-000	8
007323-000	9	012794-000	1
007374-000	5	012899-000	9
007484-000	4	012965-000	9
007583-000	7	013053-000	1
007701-000	6	013057-000	1
007705-000	3	013213-000	1
008011-000	5	013320-000	1
008012-000	5	016295-000	9
008276-000	2	018018-000	1, 10
008336-000	2	018019-000	1, 10
008450-000	9	018022-000	3, 8
008461-000	9	018033-000	1
008609-000	9	018200-000	9
008611-000	3	018201-000	9
008638-000	4	018605-000	1
009111-000	9	018610-000	5



018627-000	1	020038-106	2
018630-000	1	020038-107	2
018632-000	10	020038-108	2
019123-000	4	020038-109	2
019124-000	4	020038-110	2
020032-002	7	020038-111	2
020032-005	7	020038-112	2
020032-006	7	020038-113	2
020032-008	7	020038-114	2
020032-013	7	020038-115	2
020032-024	7	020038-116	2
020038-002	2	020038-117	2
020038-003	2	020038-118	2
020038-004	2	020038-119	2
020038-005	2	020038-120	2
020038-006	2	020038-121	2
020038-007	2	020038-122	2
020038-008	2	020038-123	2
020038-009	2	020038-124	2
020038-010	2	020038-125	2
020038-011	2	020038-126	2
020038-012	2	020038-127	2
020038-013	2	020437-000	2
020038-014	2	021309-002	4
020038-015	2	021309-005	4
020038-016	2	021309-006	4
020038-017	2	021309-008	4
020038-018	2	021309-013	4
020038-019	2	021309-024	4
020038-020	2	021310-002	4
020038-021	2	021310-005	4
020038-022	2	021310-006	4
020038-023	2	021310-008	4
020038-024	2	021310-013	4
020038-025	2	021310-024	4
020038-026	2	023093-000	3
020038-027	2	023649-000	7
020038-102	2	023943-000	3
020038-103	2	024605-000	10
020038-104	2	024606-000	10
020038-105	2	024607-000	10



024942-000	4	A2004429	4
025993-000	10	A2008467	8
025994-000	10	A21014003	2
026098-000	10	B2001448	8
027009-000	8	B2004415	3
027348-000	5	B2005589	8
031679-000	8	E21012644	3, 8
038605-000	4	E2109638	3, 8
038606-002	4	E2109800BK	9
038606-005	4	E91012614	8
038606-006	4	E9107933	8
038606-008	4	E9107934	8
038606-013	4	G3001876	8
038606-024	4	G400936	10
041509-000	6	M0104106	1
042201-2109	1	PB010304	1
042721-507	5	PB020192	9
044178-000	4	PB020193	9
049416-000	9	PB040170	3, 8
049420-000	9	PB040171	8
049718-402	3, 8	PB060030	3, 8
056873-000	4	PB060044	8
058838-000	4	PB060046	3
065467-000	8	PB070079ÃÃ ÃÃ	5
065730-000	8	PB070145	2, 2
065783-000	3	PC030007	4
066197-041	9	PD010012	1
066197-042	9	PD020032	1
066958-000	9	PD020048	8
068456-000	8	PD020060ÃÃ ÃÃ	5
068457-000	3	PD030006	2
068653-601	3, 8	PD040004	1
074892-000	9	PD040005ÃÃ ÃÃ	5
A1002596	8	PD040106	1
A20012649	5	PE010030	2
A20012649ÃÃ ÃÃ	5	PE050001	4
A2001361	8	PE050023	1
A20014089	5	PE050024	1
A2002189	7	PE050057	8
A2002595	8	PE050206	8
A2004428	8	PE050208ÃÃ ÃÃ	5



PE060032	2
PE060039	7
PE060046	2
PE060049	2
PE070207	4, 10
PE070209	10
PE070889	10
PE070890	10
PJ030038	9
PJ030039	5