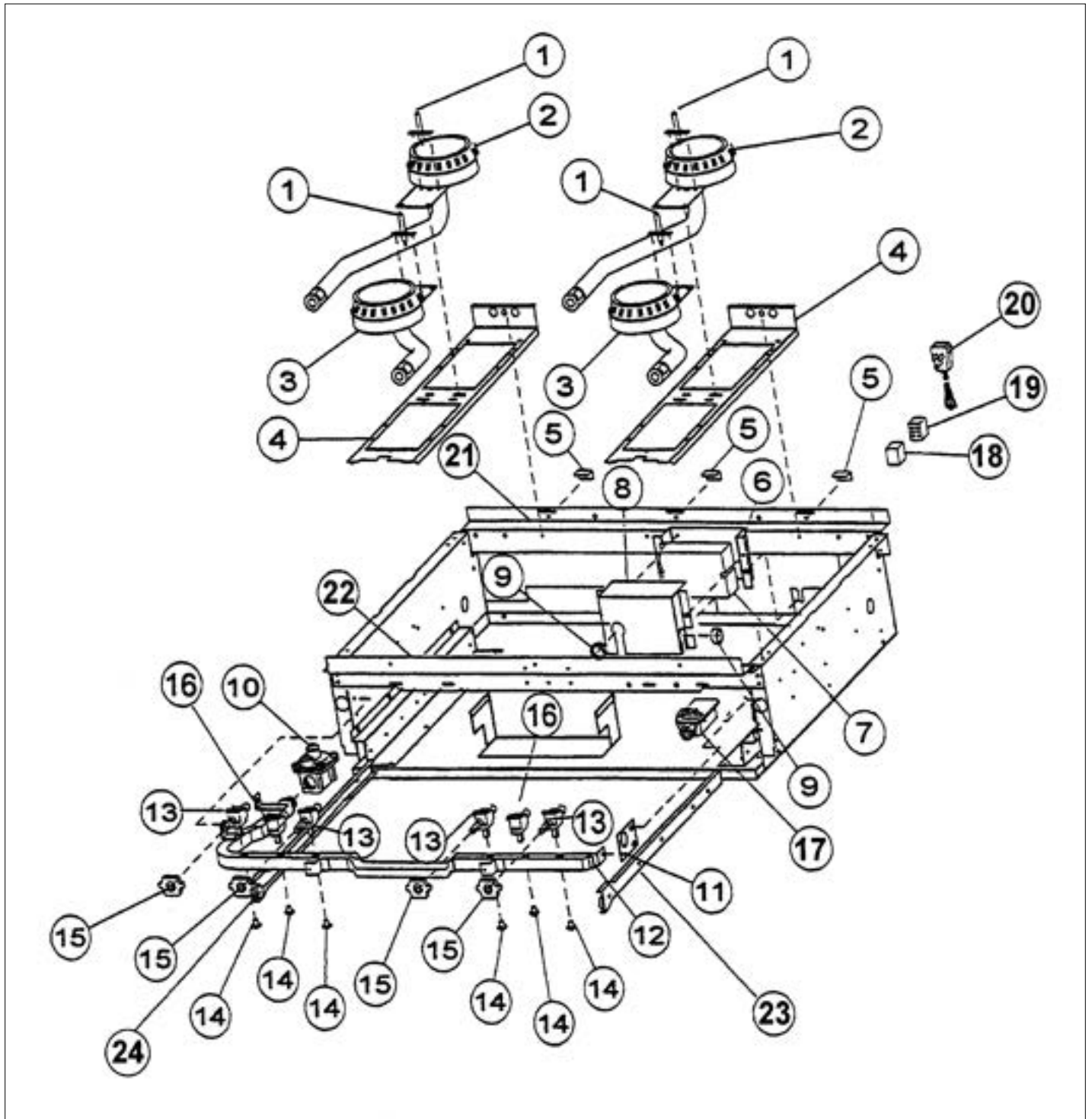


EVGIC485

BURNER BOX SUBASSY	1
CONTROL - RACK	2
EXTERIOR ASSY	3
FUNCTIONAL PARTS	4
GRIDDLE	5
GRILL	6
LH CONTROL - RACK	7
LH OVEN DOOR	8
PANEL - OVEN	9
RH GAS - ELECTRICAL	10
RH OVEN DOOR	11
Appendix A:Pages Index	A
Appendix B:Parts Index	B

BURNER BOX SUBASSY



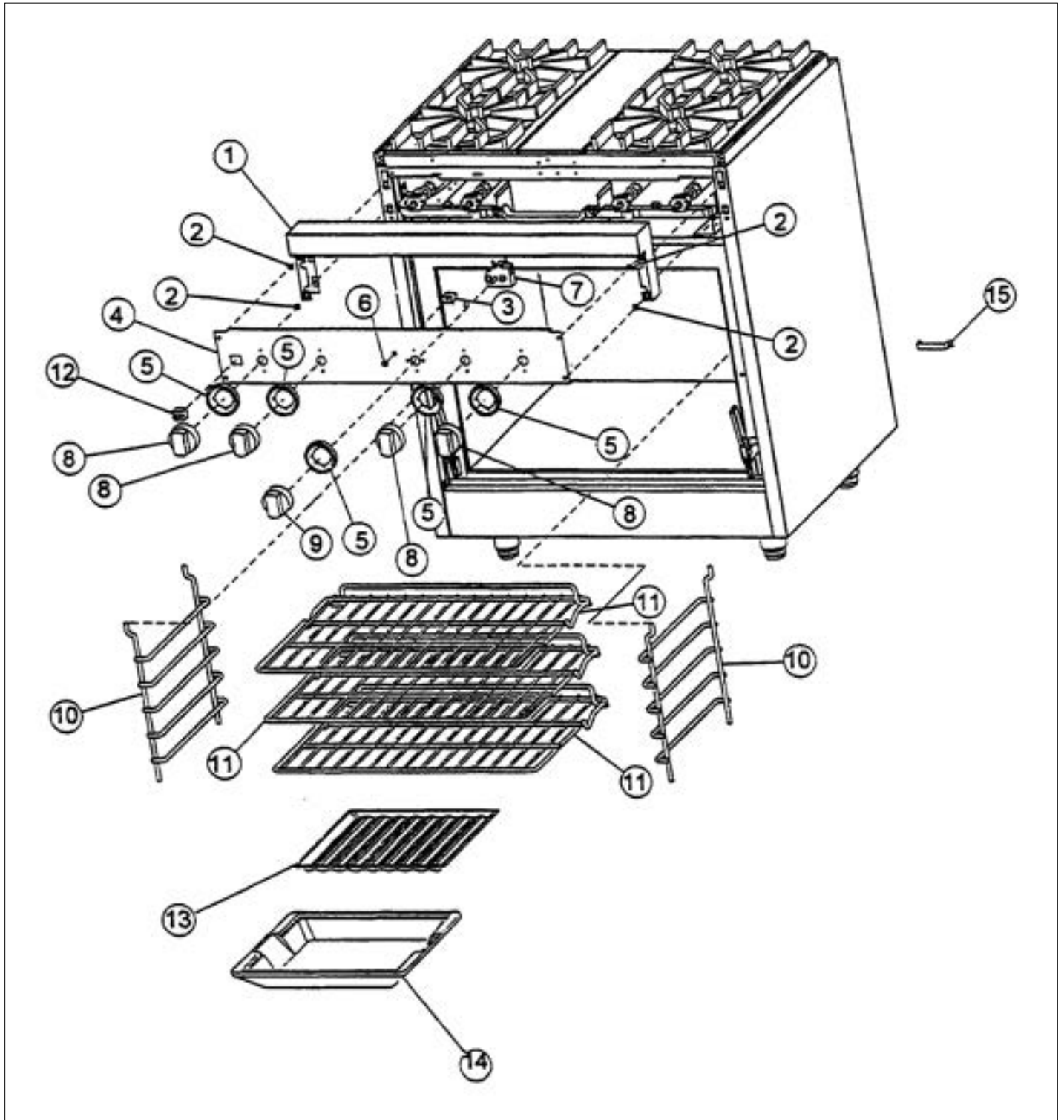


Item	Part No.	Name	Qty	Uom	NOTES
1	PA020028	SPARK IGNITER	1	EA	
2	PA080036	TOP BURNER REAR REPL PA080008	1	EA	
3	PA080037	TOP BURNER FRONT REPL PA080007	1	EA	
4	A2001112	BURNER SUPT (VGRT)	1	EA	
5	A2001147	GRATE SUPT ANGLE (VGRT)	1	EA	
6	A2002073	SPARK MODULE BRKT (VGSS480)	1	EA	
7	PA020024	RE-IGN. SPARK MODULE 0+2 /CE MODEL	1	EA	
8	A2001620	SPARK MODULE COVER (VGRC)	1	EA	
9	PD040005	SNAP BUSHING - 7/8"	1	EA	
11	A1001138	MANIFOLD BRKT	1	EA	NO LONGER AVAILABLE, Not available online / Call for pricing and availability
12	PA050038	MANIFOLD	1	EA	
13	PA010068	TOP BURNER VALVE	1	EA	
Comments for Part Num. PA010068					
haarnink@vikingrange.com on Jun 29, 2015					
this part is sub to 003537-000					
14	PD010012	VALVE BOLT 1/4-20 UNC-2B 5/16" M.S.	1	EA	
15	PA020015	Spark Ignition Switch	1	EA	
16	003862-000	SHUTOFF VALVE (PB030002 VALVE AND BOLT KIT)	1	EA	
17	SE CHART	ORIFICE HOOD-TOP BURNER VALVE	1	EA	
18	PB010083	SINGLE THERMAL VALVE LH (OVEN)	1	EA	
19	PE070070	Disconnect Block - Male	1	EA	
20	PE070071	Disconnect Block - Female	1	EA	
21	PE070128	Supply Cord	1	EA	
22	A2002377	REAR BURNER SUPT (VGSS48)	1	EA	NO LONGER AVAILABLE



Item	Part No.	Name	Qty	Uom	NOTES
23	A2003555	FRONT SUPT (48") CE MODELS	1	EA	NO LONGER AVAILABLE, Not available online / Call for pricing and availability
Not Shown	A2003556	FRONT SUPT - EVGRC4856Q	1	EA	NO LONGER AVAILABLE, Not available online / Call for pricing and availability
Not Shown	A2003557	FRONT SUPT - EVGRC4854G	1	EA	NO LONGER AVAILABLE, Not available online / Call for pricing and availability
Not Shown	A2003558	FRONT SUPT (48"GQ)(CE MODELS)	1	EA	NO LONGER AVAILABLE, Not available online / Call for pricing and availability
24	PK000008	Drip Tray Guide - RH	1	EA	NO LONGER AVAILABLE
25	PK000007	DRIP TRAY GUIDE - LH (VGRT)	1	EA	NO LONGER AVAILABLE
NI	G4001330	SPARK IGNITOR WIRE ASSY (10")	1	EA	
NI	G4001688	SPARK MODULE-TOP BRNR SPARKER (52)	1	EA	
NI	A2001627	BROIL VALVE BRKT (VGRC)	1	EA	NO LONGER AVAILABLE, Not available online / Call for pricing and availability
NI	A2001628	BROIL VALVE COVER (VGRC)	1	EA	NO LONGER AVAILABLE, Not available online / Call for pricing and availability

CONTROL - RACK





Item	Part No.	Name	Qty	Uom	NOTES
1	G3001584	LANDING LGD 48"	1	EA	
2	PD030005	SELF RETAINING NUT	1	EA	
3	PE050024	OVEN IND. LIGHT (LIGHT HOUSING)	1	EA	

Comments for Part Num. PE050024

haarnink@vikingrange.com on Jan 14, 2019

please note that the indicator light is now part 043135-000 but needs the Jumper harness 051443-000. and second option there are units in the field with a 230V indicator light part number 036566-000.

please check this for all "E" module ranges/Tops

ksturm@vikingrange.com on Apr 22, 2019

please note that the indicator light is now part 043135-000 but needs the Jumper harness 051443-000. and second option there are units in the field with a 230V indicator light part number 036566-000.

please check this for all "E" module ranges/Tops

4	B9203042	CTRL PAN (EVGIS480-6G) *SLK SCR*	1	EA	NO LONGER AVAILABLE, Not available online / Call for pricing and availability
Not Shown	B9203043	CTRL PAN (EVGIS480-6Q) *SLK SCR*	1	EA	NO LONGER AVAILABLE, Not available online / Call for pricing and availability
Not Shown	B9203044	CTRL PAN (EVGIS480-4GQ) *SLK SCR*	1	EA	
5	050172-000	BEZEL, KNOB	1	EA	
Not Shown	PB010172	BEZEL NEW BR REPL PB010107	1	EA	
6	PE050023	OVEN IND. LIGHT (LENS & BEZEL)	1	EA	NO LONGER AVAILABLE
Not Shown	NOTE	(Current)		EA	
7	PB010036	THERMOSTAT BAKE/BROIL	1	EA	
8	PB010189	TOP BURNER KNOB - EUROPEAN *BK*	1	EA	

Comments for Part Num. PB010189

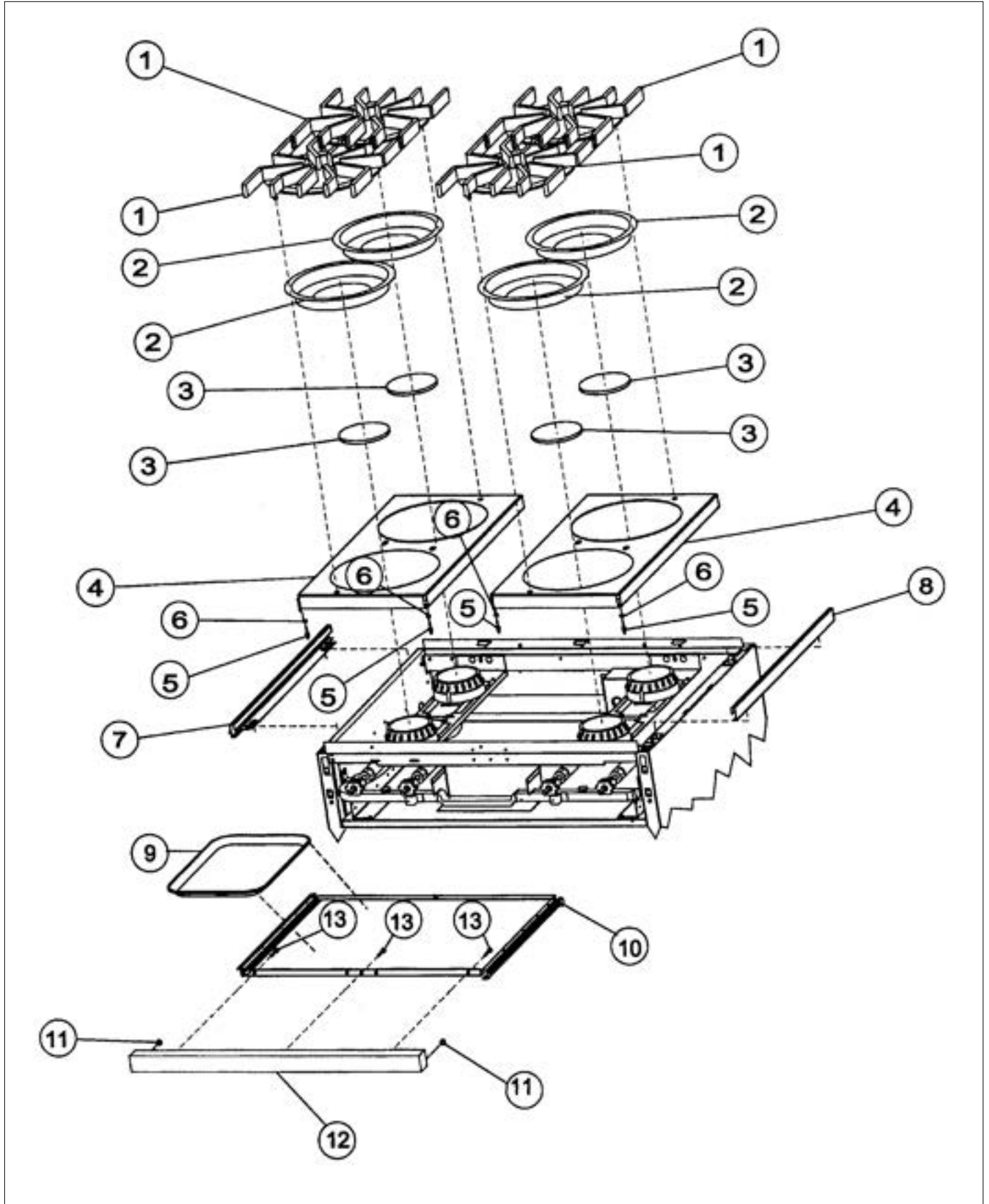
abarakaldo@middleby.com on Feb 22, 2016

knob that goes with PA010043 grill valve is PA010134



Item	Part No.	Name	Qty	Uom	NOTES
Not Shown	PB010190	TOP BURNER KNOB - EUROPEAN *WH*	1	EA	
9	PB010137	B/B T/STAT KNOB-*BK* (E.C.)	1	EA	NO LONGER AVAILABLE
<p>Comments for Part Num. PB010137</p> <p>abarakaldo@middleby.com on Feb 22, 2016</p> <p>Celsious knob that fits PB010035 is PB010138 (BAKE/griddle) left 18" OVEN</p>					
Not Shown	PB010141	B/B T/STAT KNOB-*WH* (E.C.)	1	EA	NO LONGER AVAILABLE
10	PB060030	RACK SUPT REPL PB060010	1	EA	
11	PB060038	RACK REPL PB060011	1	EA	
12	077728-000	TOGGLE SWITCH KIT, See Bulletin 2021-01P	1	EA	
<p>Comments for Part Num. 077728-000</p> <p>gboltz@VikingRange.com on May 26, 2021</p> <p>This switch is visibly different than original, all similar switches should be replaced to match if desired.</p>					
Not Shown	PE050017	OVEN LIGHT SWITCH - *WH* (WES-GAR)	1	EA	NO LONGER AVAILABLE
13	E9107934	BROILER PAN INSERT - NLA	1	EA	
14	E9107933	BROILER PAN	1	EA	
15	A2001259	ANTI-TIP DEVICE	1	EA	

EXTERIOR ASSY





Item	Part No.	Name	Qty	Uom	NOTES
1	PA060037	GRATE BK REPL PA060024 (GEN.#2)	1	EA	
Comments for Part Num. PA060037					
bradleysapplianceservice@shaw.ca on Jun 16, 2020					
SUBS TO: 067027-000 GRATE BK 10 X 11					
Not Shown	PA060038	GRAY GRATES	1	EA	
2	PA030002AL	BURNER BOWL - AL (FOR USE WITH UPGRADE KIT) NLA	1	EA	
Not Shown	PA030002BK	BURNER BOWL (VGRT) **BK**	1	EA	
Not Shown	PA030002BT	BURNER BOWL - BT NLA	1	EA	
Not Shown	PA030002BU	BURNER BOWL (VGRT) **BU** NLA	1	EA	
Not Shown	PA030002CB	BURNER BOWL - CB NLA	1	EA	
Not Shown	PA030002EP	BURNER BOWL - EP NLA	1	EA	
Not Shown	PA030002FG	BURNER BOWL - FG (FOR USE WITH UPGRADE KIT) NLA	1	EA	
Not Shown	PA030002GG	BURNER BOWL - GG NLA	1	EA	
Not Shown	PA030002LE	BURNER BOWL - LE NLA	1	EA	
Not Shown	PA030002LN	BURNER BOWL (VGRT) **LN** NLA	1	EA	Not available online / Call for pricing and availability
Not Shown	PA030002MJ	BURNER BOWL (VGRT) **MJ** NLA	1	EA	
Not Shown	PA030002PL	BURNER BOWL (VGRT) **PL** NLA	1	EA	Not available online / Call for pricing and availability
Not Shown	PA030002SG	BURNER BOWL - SG NLA	1	EA	
Not Shown	PA030002VB	BURNER BOWL (VGRT) **VB** NLA	1	EA	
Not Shown	PA030002WH	BURNER BOWL (VGRT) **WH**	1	EA	
3	066982-000	CAP, BURNER, OPEN, BLK	1	EA	



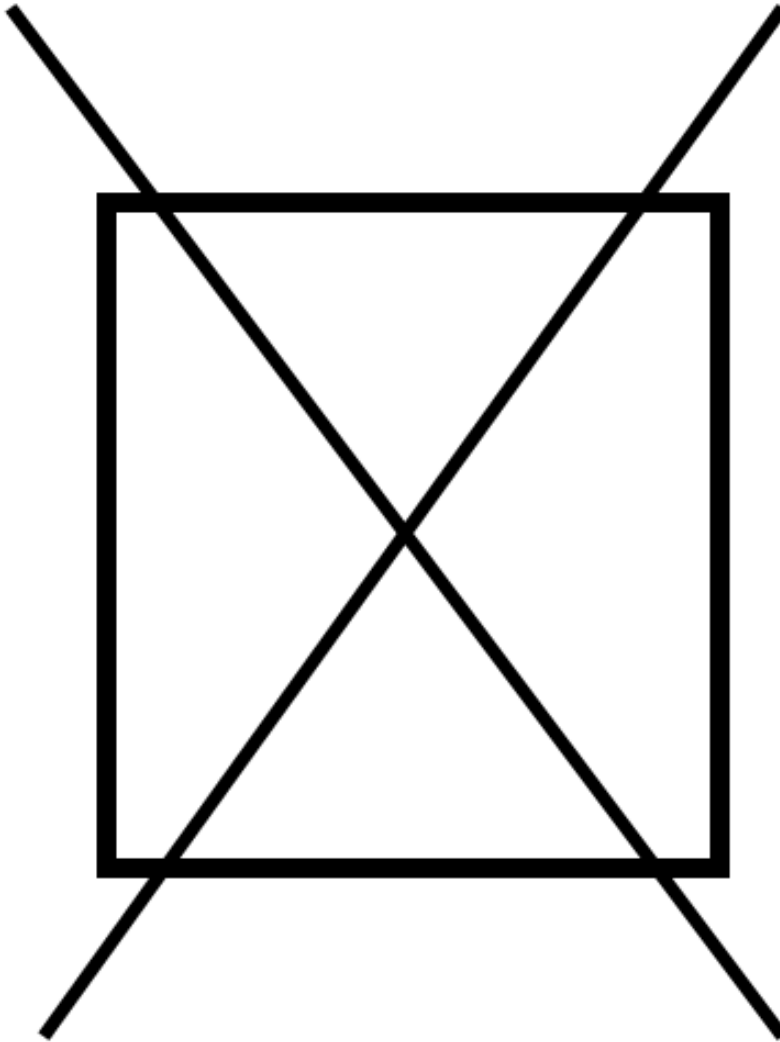
Item	Part No.	Name	Qty	Uom	NOTES
Not Shown	PA080016	BURNER CAP-VGRT (GRAY-MATT)	1	EA	
4	E9101115AL	GRATE SUPT -AL- (VGRT)	1	EA	
Not Shown	E9101115BK	GRATE SUPT *BK* (VGRT)	1	EA	
Not Shown	E9101115BT	GRATE SUPPORT - BT	1	EA	Not available online / Call for pricing and availability
Not Shown	E9101115BU	GRATE SUPT -BU- (VGRT)	1	EA	Not available online / Call for pricing and availability
Not Shown	E9101115CB	GRATE SUPPORT - CB	1	EA	Not available online / Call for pricing and availability
Not Shown	E9101115EP	GRATE SUPPORT - EP	1	EA	Not available online / Call for pricing and availability
Not Shown	E9101115FG	GRATE SUPT -FG- (VGRT)	1	EA	Not available online / Call for pricing and availability
Not Shown	E9101115GG	GRATE SUPPORT - GG	1	EA	
Not Shown	E9101115LE	GRATE SUPPORT - LE	1	EA	Not available online / Call for pricing and availability
Not Shown	E9101115LN	GRATE SUPT *LN* (VGRT)	1	EA	NO LONGER AVAILABLE, Not available online / Call for pricing and availability
Not Shown	E9101115MJ	GRATE SUPPORT - MJ	1	EA	Not available online / Call for pricing and availability
Not Shown	E9101115PL	GRATE SUPT *PL* (VGRT)	1	EA	NO LONGER AVAILABLE, Not available online / Call for pricing and availability
Not Shown	E9101115SG	GRATE SUPPORT - SG	1	EA	Not available online / Call for pricing and availability



Item	Part No.	Name	Qty	Uom	NOTES
Not Shown	E9101115VB	GRATE SUPT -VB- (VGRT)	1	EA	Not available online / Call for pricing and availability
Not Shown	E9101115WH	GRATE SUPT *WH* (VGRT)	1	EA	
5	PD030017	BALL STUD	1	EA	
6	PD030012	6-32 HEX NUT	1	EA	
7	B2002346	SIDE TRIM - LH (VGSS)	1	EA	
Not Shown	C9302346BR	SIDE TRIM - LH (VGSS) *BR*	1	EA	Not available online / Call for pricing and availability
8	B2002345	SIDE TRIM - RH (VGSS)	1	EA	
Not Shown	C9302345BR	SIDE TRIM - RH (VGSS) *BR*	1	EA	
9	J2101749	GREASE PAN	1	EA	
10	G3103161	DRIP TRAY REPL G3101176	1	EA	NO LONGER AVAILABLE, Not available online / Call for pricing and availability
11	PD040004	GROMMET BUMPER	1	EA	
12	B3001149	SUB TO PK010019	1	EA	NO LONGER AVAILABLE, Not available online / Call for pricing and availability
Not Shown	C9301149BR	SUB TO C9301149PVD - DT HND 48"	1	EA	NO LONGER AVAILABLE, Not available online / Call for pricing and availability
13	PD010003	10-24 X 1/2 PH.TR.HD.SERD.M.S.	1	EA	
NI	PD030010	#10-24 KEPS NUT ZINC PLATED	1	EA	

FUNCTIONAL PARTS

NON
ILLUSTRATED PART



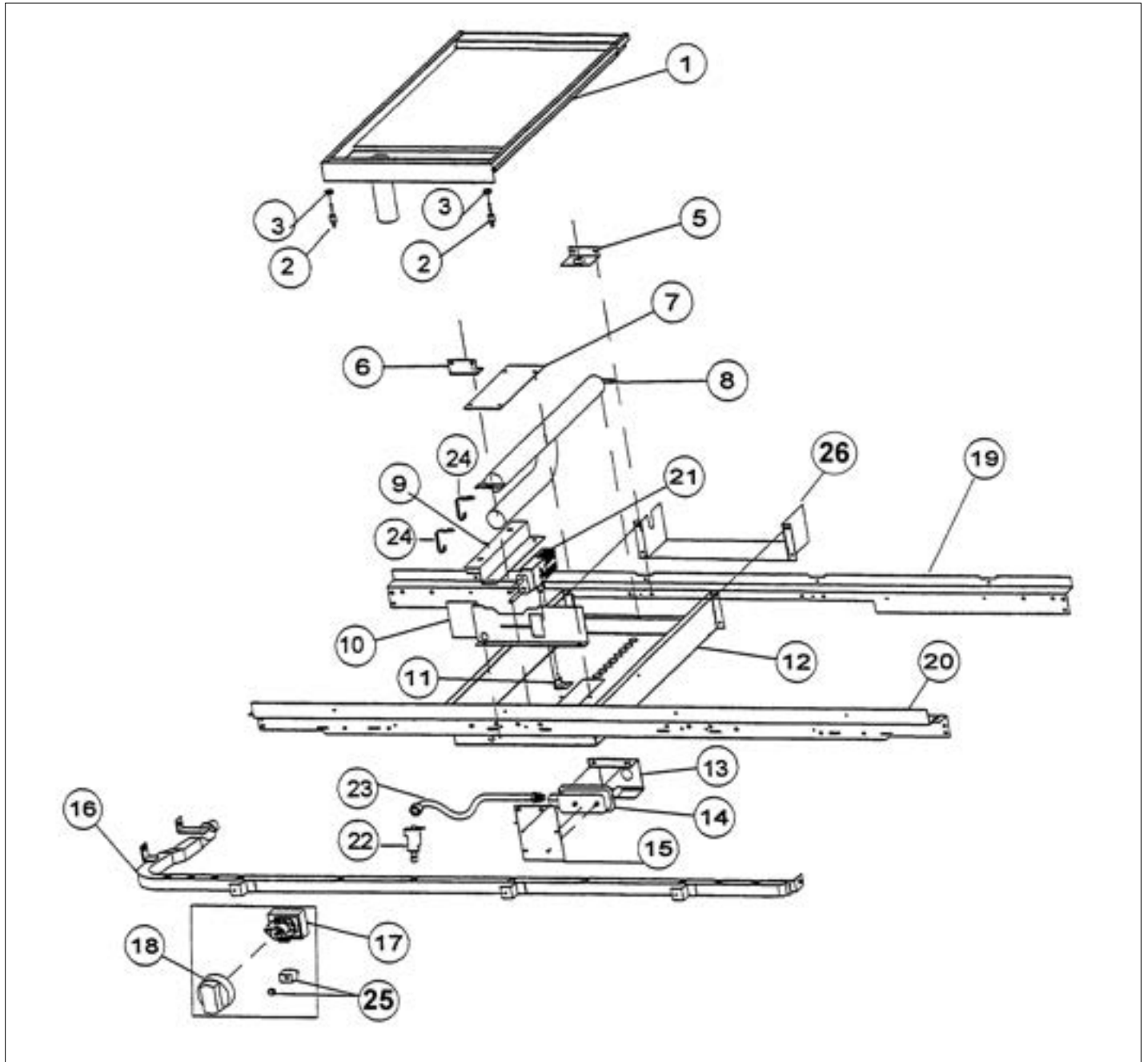


Item	Part No.	Name	Qty	Uom	NOTES
1	PB050077	GRILL BURNER	1	EA	
2	PA010043	GRILL VALVE (VGIS)	1	EA	
3	G3001876	IR BURNER ASSY (VGSC/RC) N/S	1	EA	
4	065650-000	IGNITOR, FLAT, HOT SURFACE	1	EA	
5	PB050012	OVEN BURNER REPL PB050009	1	EA	
Not Shown	NOTE	(RH)		EA	
6	PB050014	OVEN BURNER LH-	1	EA	
Not Shown	NOTE	(LH)		EA	
7	PA070003	PRESSURE REGULATOR (NAT.)	1	EA	
8	003862-000	SHUTOFF VALVE (PB030002 VALVE AND BOLT KIT)	1	EA	
9	PB010004	SINGLE SAFETY VALVE (NAT. GRIDDLE)	1	EA	
10	PB010083	SINGLE THERMAL VALVE LH (OVEN)	1	EA	
11	PA020028	SPARK IGNITER	1	EA	
12	PA020024	RE-IGN. SPARK MODULE 0+2 /CE MODEL	1	EA	
13	PA020015	Spark Ignition Switch	1	EA	
14	PE070128	Supply Cord	1	EA	
15	PB010035	THERMOSTAT BAKE / GRIDDLE	1	EA	
16	PB010036	THERMOSTAT BAKE/BROIL	1	EA	
17	PA010068	TOP BURNER VALVE	1	EA	
<p>Comments for Part Num. PA010068</p> <p>haarnink@vikingrange.com on Jun 29, 2015 this part is sub to 003537-000</p>					
18	PA080037	TOP BURNER FRONT REPL PA080007	1	EA	
19	PA080036	TOP BURNER REAR REPL PA080008	1	EA	



Item	Part No.	Name	Qty	Uom	NOTES
20	PE070227	TORODIAL TRANSFORMER - 1500VA	1	EA	NO LONGER AVAILABLE, Not available online / Call for pricing and availability

GRIDDLE



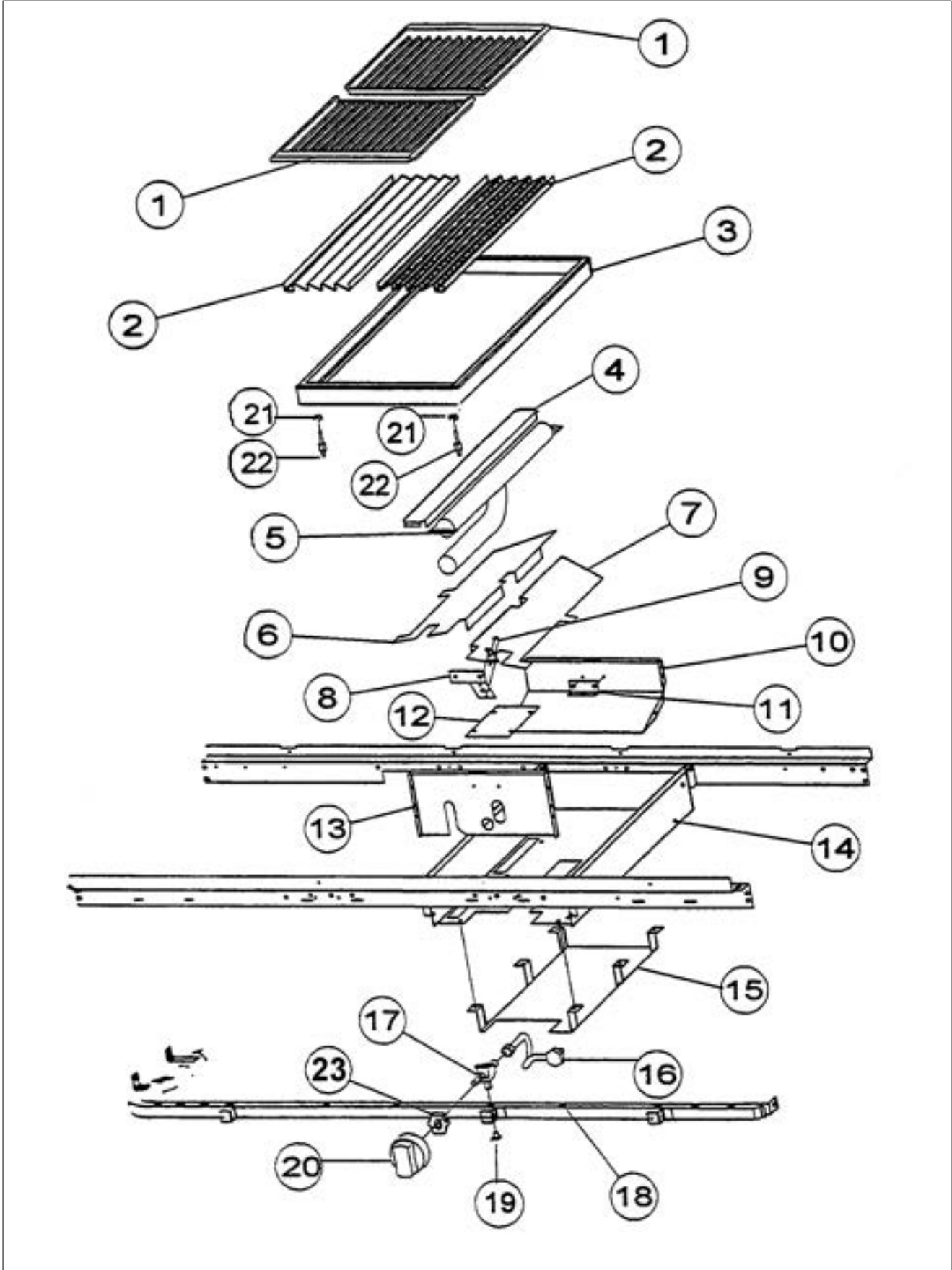


Item	Part No.	Name	Qty	Uom	NOTES
1	G3001278	GRIDDLE ASSY-12"	1	EA	
2	PD010017	BALL STUD (VGRT)	1	EA	
3	PD030012	6-32 HEX NUT	1	EA	
4	B2001884	GRIDDLE FLAME SHIELD	1	EA	
5	A2001880	REAR MTG. BRKT. GRIDDLE FLAME SHLD	1	EA	
6	A2001881	FRONT MTG. BRKT. GRIDDLE FLAME SHLD	1	EA	
7	A1001636	GRIDDLE VENTURI COVER	1	EA	NO LONGER AVAILABLE
8	PB050077	GRILL BURNER	1	EA	
9	A2001949	T/STAT BULB COVER REPL A2001883	1	EA	
10	A2002001	GRIDDLE HEAT BAFFLE - SLOT SUPT	1	EA	
11	A2001300	Griddle Igniter Bracket	1	EA	
12	A2001148	GRIDDLE BOX (VGRT)	1	EA	
13	A2001630	GRIDDLE VALVE COVER (VGRC)	1	EA	
14	PB010004	SINGLE SAFETY VALVE (NAT. GRIDDLE)	1	EA	
15	A1001198	THERMAL VALVE BRKT	1	EA	NO LONGER AVAILABLE, Not available online / Call for pricing and availability
16	PA050037	SUB TO PA050092 - UNIVERSAL MANIFOLD - 36" (VGRT/RC)	1	EA	NO LONGER AVAILABLE
Not Shown	PA050038	MANIFOLD	1	EA	
17	PB010035	THERMOSTAT BAKE / GRIDDLE	1	EA	
18	PB010138	B/G T/STAT KNOB-*BK* (E.C.)	1	EA	
Not Shown	PB010142	B/G T/STAT KNOB-*WH* (E.C.)	1	EA	NO LONGER AVAILABLE
19	A2001908	REAR BURNER SUPT -48" (VGRT/RC)	1	EA	Not available online / Call for pricing and availability
20	A2001104	FRONT SUPT (48")	1	EA	NO LONGER AVAILABLE
21	065650-000	IGNITOR, FLAT, HOT SURFACE	1	EA	



Item	Part No.	Name	Qty	Uom	NOTES
22	003862-000	SHUTOFF VALVE (PB030002 VALVE AND BOLT KIT)	1	EA	
23	PB020116	TUBING - 10" FLEXIBLE 12 & 24"	1	EA	
24	PD030031	THERMAL BULB CLIP - .250	1	EA	
25	SEE CHART	ORIFICE HOOD	1	EA	
26	PE050023	OVEN IND. LIGHT (LENS & BEZEL)	1	EA	NO LONGER AVAILABLE
Not Shown	PE050024	OVEN IND. LIGHT (LIGHT HOUSING)	1	EA	
<p>Comments for Part Num. PE050024</p> <p>haarnink@vikingrange.com on Jan 14, 2019 please not that the indicator light is now part 043135-000 but needs the Jumper harness 051443-000. and second option there are units in the field with a 230V indicator light part number 036566-000.</p> <p>please check this for all "E" module ranges/Tops ksturm@vikingrange.com on Apr 22, 2019 please not that the indicator light is now part 043135-000 but needs the Jumper harness 051443-000. and second option there are units in the field with a 230V indicator light part number 036566-000.</p> <p>please check this for all "E" module ranges/Tops</p>					
27	A2002147	GRIDDLE FLUE COVER (VGRT/VGSS/VGIS)	1	EA	
NI	PD040022	1/2 X 1/4-BUMPER (PORT. GRIDDLE)(BK	1	EA	
Not Shown	NOTE	(PORTABLE GRIDDLE)		EA	
NI	PD020039	' #6-32 X 1/2 PH.PN.HD. TYPE (23)	1	EA	
Not Shown	NOTE	(PORTABLE GRIDDLE)		EA	

GRILL



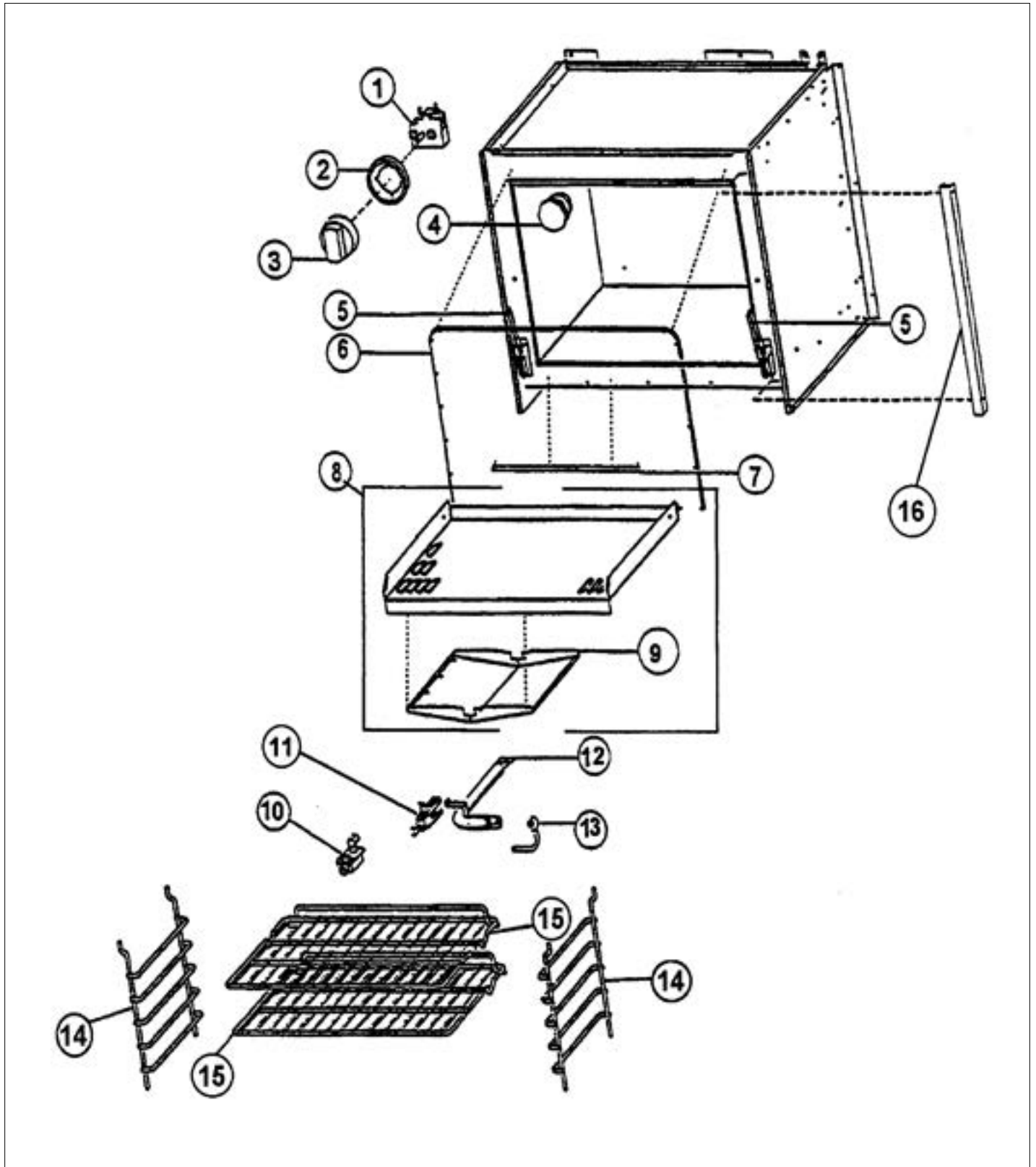


Item	Part No.	Name	Qty	Uom	NOTES
1	074908-000	GRATE, GRILL, MATT BLACK	1	EA	
PA060029	074908-000	GRATE, GRILL, MATT BLACK	1	EA	
2	072628-402	GRILL SMOKE GENERATOR	1	EA	
3	G9101182AL	GRILL GRATE SUPT (VGRT) *AL*	1	EA	NO LONGER AVAILABLE
Not Shown	G9101182BK	GRILL GRATE SUPT (VGRT) *BK*	1	EA	
Not Shown	G9101182BT	GRILL GRATE SUPT (VGRT) *BT*	1	EA	NO LONGER AVAILABLE
Not Shown	G9101182BU	GRILL GRATE SUPT (VGRT) *BU*	1	EA	NO LONGER AVAILABLE
Not Shown	G9101182CB	GRILL GRATE SUPT (VGRT) *CB*	1	EA	NO LONGER AVAILABLE
Not Shown	G9101182EP	GRILL GRATE SUPT (VGRT) *EP*	1	EA	NO LONGER AVAILABLE
Not Shown	G9101182FG	GRILL GRATE SUPT (VGRT) *FG*	1	EA	NO LONGER AVAILABLE
Not Shown	G9101182GG	GRILL GRATE SUPPORT - GG	1	EA	Not available online / Call for pricing and availability
Not Shown	G9101182LE	GRILL GRATE SUPT (VGRT) *LE*	1	EA	NO LONGER AVAILABLE, Not available online / Call for pricing and availability
Not Shown	G9101182LN	GRILL GRATE SUPT (VGRT) *LN*	1	EA	NO LONGER AVAILABLE, Not available online / Call for pricing and availability
Not Shown	G9101182MJ	GRILL GRATE SUPT (VGRT) *MJ*	1	EA	NO LONGER AVAILABLE, Not available online / Call for pricing and availability
Not Shown	G9101182PL	GRILL GRATE SUPT (VGRT) *PL*	1	EA	NO LONGER AVAILABLE, Not available online / Call for pricing and availability
Not Shown	G9101182SG	GRILL GRATE SUPT (VGRT) *SG*	1	EA	NO LONGER AVAILABLE, Not available online / Call for pricing and availability
Not Shown	G9101182VB	GRILL GRATE SUPT (VGRT) *VB*	1	EA	NO LONGER AVAILABLE



Item	Part No.	Name	Qty	Uom	NOTES
Not Shown	G9101182WH	GRILL GRATE SUPT (VGRT) *WH*	1	EA	
4	B2001140	GRILL FLAME SHIELD (VGRT)	1	EA	
5	PB050077	GRILL BURNER	1	EA	
6	B2001856	GRILL HEAT DEFLECTOR-LH (VGRC60)	1	EA	
7	B2001857	GRILL HEAT DEFLECTOR-RH (VGRC60)	1	EA	
8	A2001633	GRILL FRONT SPARKER BRKT (VGRC)	1	EA	
9	PA020028	SPARK IGNITER	1	EA	
10	A2001855	GRILL BACK - (VGRC605)	1	EA	
11	A2001132	REAR GRILL BURNER BRKT (VGRT)	1	EA	
12	A1001862	GRILL VENTURI COVER (VGRC605)	1	EA	
13	A2001631	GRILL BOX FRONT (VGRC)	1	EA	NO LONGER AVAILABLE
14	A2001852	GRILL BOX - (VGRC605)	1	EA	
15	A2001863	GRILL BTM SHIELD (VGRC605)	1	EA	
16	PB020025	TUBING-GRILL (REVISED) REP PB020021	1	EA	
17	PA010043	GRILL VALVE (VGIS)	1	EA	
18	PA050038	MANIFOLD	1	EA	
19	PD010012	VALVE BOLT 1/4-20 UNC-2B 5/16" M.S.	1	EA	
20	PB010189	TOP BURNER KNOB - EUROPEAN *BK*	1	EA	
Comments for Part Num. PB010189					
abarakaldo@middleby.com on Feb 22, 2016					
knob that goes with PA010043 grill valve is PA010134					
Not Shown	PB010190	TOP BURNER KNOB - EUROPEAN *WH*	1	EA	
21	PD030012	6-32 HEX NUT	1	EA	
22	PD010017	BALL STUD (VGRT)	1	EA	
23	SEE CHART	ORIFICE HOOD	1	EA	
24	PA020011	SPARK IGN SWITCH REPL PA020012	1	EA	

LH CONTROL - RACK





Item	Part No.	Name	Qty	Uom	NOTES
1	PB010035	THERMOSTAT BAKE / GRIDDLE	1	EA	
2	050172-000	BEZEL, KNOB	1	EA	
Not Shown	PB010172	BEZEL NEW BR REPL PB010107	1	EA	
3	PB010137	B/B T/STAT KNOB-*BK* (E.C.)	1	EA	NO LONGER AVAILABLE
<p>Comments for Part Num. PB010137</p> <p>abarakaldo@middleby.com on Feb 22, 2016</p> <p>Celsious knob that fits PB010035 is PB010138 (BAKE/griddle) left 18" OVEN</p>					
Not Shown	PB010141	B/B T/STAT KNOB-*WH* (E.C.)	1	EA	NO LONGER AVAILABLE
4	031449-000	LAMP, ASM	1	EA	
5	PC020003	HINGE ASSY (BLUE) (MUST ORDER 2 PD020033 SCREW WHEN REPLACING HINGE)	1	EA	
6	PB070035	OVEN DR GASKET LH (VGSS48)	1	EA	
Not Shown	NOTE	(LH Oven)		EA	
7	PB070001	OVEN DR SEAL - SIDE - NLA	1	EA	
Not Shown	NOTE	(LH Oven)		EA	
8	G3204255	OVEN BOTTOM ASSY - LH OVEN, 48"	1	EA	NO LONGER AVAILABLE
9	A2001220	OVEN BTM HEAT SHIELD LH 48"	1	EA	
10	PB010083	SINGLE THERMAL VALVE LH (OVEN)	1	EA	
11	065650-000	IGNITOR, FLAT, HOT SURFACE	1	EA	
12	PB050014	OVEN BURNER LH-	1	EA	
13	PB020099	BAKE BURNER TUBE-LH (48"R.H.)1.60MM	1	EA	NO LONGER AVAILABLE
Not Shown	PB020100	BAKE BURNER TUBE-RH (48"R.H.)1.60MM	1	EA	
14	SEE CHART	ORIFICE HOOD-BAKE BURNER	1	EA	
15	PB060030	RACK SUPT REPL PB060010	1	EA	

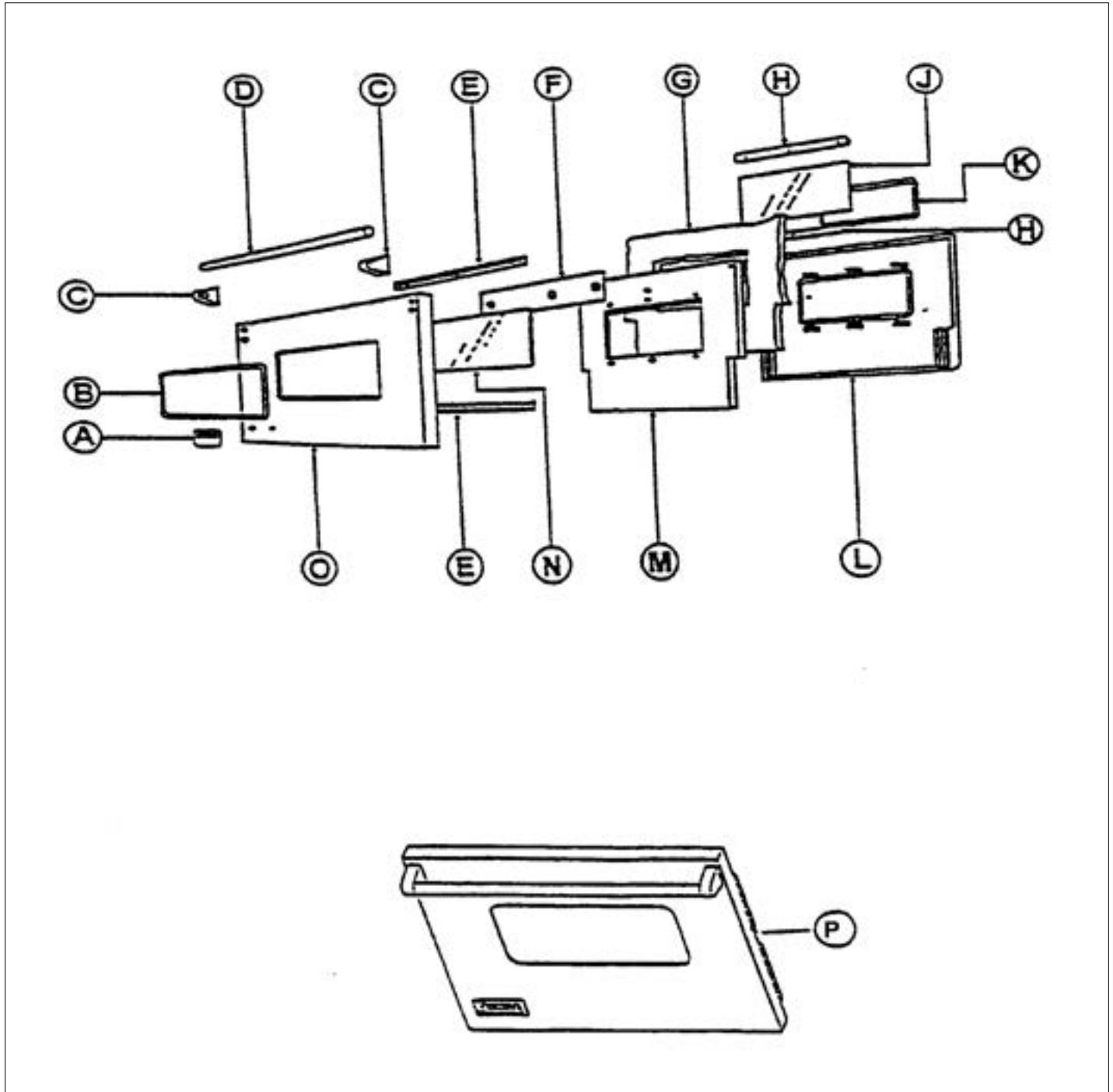


Item	Part No.	Name	Qty	Uom	NOTES
16	PB060016	SUB TO PB060040 - OVEN RACK LH	1	EA	NO LONGER AVAILABLE, Not available online / Call for pricing and availability
Not Shown	NOTE	(REQUIRES 2 RACKS)		EA	
17	B2001974	CENTER TRIM (VGSS480)	1	EA	
Not Shown	C9001974AL	CENTER TRIM *AL* (VGSS480)	1	EA	NO LONGER AVAILABLE, Not available online / Call for pricing and availability
Not Shown	C9001974BK	CENTER TRIM *BK* (VGSS480)	1	EA	
Not Shown	C9001974BT	CENTER TRIM *BT* (VGSS480)	1	EA	NO LONGER AVAILABLE, Not available online / Call for pricing and availability
Not Shown	C9001974BU	CENTER TRIM *BU* (VGIC48)	1	EA	NO LONGER AVAILABLE, Not available online / Call for pricing and availability
Not Shown	C9001974CB	CENTER TRIM *CB* (VGSS480)	1	EA	NO LONGER AVAILABLE, Not available online / Call for pricing and availability
Not Shown	C9001974EP	CENTER TRIM *EP* (VGSS480)	1	EA	NO LONGER AVAILABLE, Not available online / Call for pricing and availability
Not Shown	C9001974FG	CENTER TRIM *FG* (VGIC48)	1	EA	NO LONGER AVAILABLE, Not available online / Call for pricing and availability
Not Shown	C9001974GG	CENTER TRIM *GG* (VGIC48)	1	EA	NO LONGER AVAILABLE, Not available online / Call for pricing and availability
Not Shown	C9001974LE	CENTER TRIM *LE* (VGSS480)	1	EA	NO LONGER AVAILABLE, Not available online / Call for pricing and availability



Item	Part No.	Name	Qty	Uom	NOTES
Not Shown	C9001974LN	CENTER TRIM *LN* (VGIC48)	1	EA	NO LONGER AVAILABLE, Not available online / Call for pricing and availability
Not Shown	C9001974MJ	CENTER TRIM *MJ* (VGSS480)	1	EA	NO LONGER AVAILABLE, Not available online / Call for pricing and availability
Not Shown	C9001974PL	CENTER TIRM *PL* (VGIC48)	1	EA	NO LONGER AVAILABLE, Not available online / Call for pricing and availability
Not Shown	C9001974SG	CENTER TRIM *SG* (VGSS480)	1	EA	NO LONGER AVAILABLE, Not available online / Call for pricing and availability
Not Shown	C9001974VB	CENTER TRIM *VB* (VGIC48)	1	EA	NO LONGER AVAILABLE, Not available online / Call for pricing and availability
Not Shown	C9001974WH	CENTER TRIM *WH* (VGSS480)	1	EA	NO LONGER AVAILABLE
NI	PB020050	SHUTOFF-SINGLE/DUAL VALVE (SS48/36)	1	EA	NO LONGER AVAILABLE
Not Shown	NOTE	(LH Oven)		EA	

LH OVEN DOOR





Item	Part No.	Name	Qty	Uom	NOTES
A	PE010030	LOGO 6" (VGRC) *BK*	1	EA	
Not Shown	PE010034	LOGO 6" (VGRC) *BU*	1	EA	NO LONGER AVAILABLE
Not Shown	PE010036	LOGO 6" (VGRC) *FG*	1	EA	NO LONGER AVAILABLE
Not Shown	PE010032	LOGO 6" (VGRC) *PL*	1	EA	Not available online / Call for pricing and availability
Not Shown	PE010035	LOGO 6" (VGRC) *VB*	1	EA	NO LONGER AVAILABLE
Not Shown	PE010031	LOGO 6" (VGRC) *BK/WH*	1	EA	NO LONGER AVAILABLE
Not Shown	PE010068	6" LOGO (VIKING/PROF) BK/BR	1	EA	
Not Shown	PE010076	LOGO 6" (VGRC) *BR/WH*	1	EA	NO LONGER AVAILABLE
NI	PD030006	CAPPED WASHER PAL NUT	1	EA	
B	PE060011	J-MOLD - 1" RADIUS LH VGRC48	1	EA	
Not Shown	PE060021	J-MOLD (VGRC48 LH DOOR) *BR*	1	EA	NO LONGER AVAILABLE
C	000268-000	HANDLE ENDCAP	1	EA	
Not Shown	PE030011	SUB TO PE030001- PVD DOOR HDLE BRKT *BR	1	EA	NO LONGER AVAILABLE
NI	PD010019	BLT-1/4-20X3/8"HEX WASHER SERATED	1	EA	
D	PE030008	DOOR HANDLE - LH 48VGRC	1	EA	NO LONGER AVAILABLE
Not Shown	PE030014PVD	DOOR HANDLE - LH - (48") PVD	1	EA	
E	A2001622	OUTER GLASS RETAINER LH (VGRC48)	1	EA	NO LONGER AVAILABLE, Not available online / Call for pricing and availability
F	A1001513	DOOR HEAT BAFFLE LH (VGRC48)	1	EA	
G	PB070034	INSULATION-TRS-10 1" X 20" X 77' ROLL	1	EA	NO LONGER AVAILABLE
H	A2001621	INNER GLASS RETAINER LH (VGRC48)	1	EA	NO LONGER AVAILABLE, Not available online / Call for pricing and availability



Item	Part No.	Name	Qty	Uom	NOTES
J	PE060012	GLASS-HIGH TEMPERATURE LH VGRC48	1	EA	
K	PB070014	DOOR GLASS SEAL STRIP - WINDOW DRS.	1	EA	
L	G9103409	INSIDE DOOR LINER (VGIS48LH)	1	EA	NO LONGER AVAILABLE
M	A2001961	DR. INSUL. RETAINER LH W/W (VGSS48)	1	EA	NO LONGER AVAILABLE, Not available online / Call for pricing and availability
N	PE060013	GLASS-TEMPERED, SCREENED LH VGRC48	1	EA	
O	H3001967	O/S DR PANEL LH W/W (VGSS48)	1	EA	
Not Shown	H9001968AL	O/S DR PANEL LH *AL* (VGSS48) W/W	1	EA	NO LONGER AVAILABLE, Not available online / Call for pricing and availability
Not Shown	H9001968BK	O/S DR PANEL LH *BK* (VGSS48) W/W	1	EA	Not available online / Call for pricing and availability
Not Shown	H9001968BT	O/S DR PANEL LH *BT* (VGSS48) W/W	1	EA	NO LONGER AVAILABLE, Not available online / Call for pricing and availability
Not Shown	H9001968BU	O/S DR PANEL LH *BU* (VGIC48)	1	EA	NO LONGER AVAILABLE, Not available online / Call for pricing and availability
Not Shown	H9001968CB	O/S DR PANEL LH *CB* (VGSS48) W/W	1	EA	NO LONGER AVAILABLE, Not available online / Call for pricing and availability
Not Shown	H9001968EP	O/S DR PANEL LH *EP* (VGSS48) W/W	1	EA	NO LONGER AVAILABLE, Not available online / Call for pricing and availability
Not Shown	H9001968FG	O/S DR PANEL LH *FG* (VGIC48)	1	EA	NO LONGER AVAILABLE, Not available online / Call for pricing and availability



Item	Part No.	Name	Qty	Uom	NOTES
Not Shown	H9001968GG	O/S DR PANEL LH *GG* (VGIC48)	1	EA	NO LONGER AVAILABLE, Not available online / Call for pricing and availability
Not Shown	H9001968LE	O/S DR PANEL LH *LE* (VGSS48) W/W	1	EA	NO LONGER AVAILABLE, Not available online / Call for pricing and availability
Not Shown	H9001968LN	O/S DR PANEL LH *LN* (VGIC48)	1	EA	NO LONGER AVAILABLE, Not available online / Call for pricing and availability
Not Shown	H9001968MJ	O/S DR PANEL LH *MJ* (VGSS48) W/W	1	EA	NO LONGER AVAILABLE, Not available online / Call for pricing and availability
Not Shown	H9001968PL	O/S DR PANEL LH *PL* (VGIC48)	1	EA	NO LONGER AVAILABLE, Not available online / Call for pricing and availability
Not Shown	H9001968SG	O/S DR PANEL LH *SG* (VGSS48) W/W	1	EA	NO LONGER AVAILABLE, Not available online / Call for pricing and availability
Not Shown	H9001968VB	O/S DR PANEL LH *VB* (VGIC48)	1	EA	NO LONGER AVAILABLE, Not available online / Call for pricing and availability
Not Shown	H9001968WH	O/S DR PANEL LH *WH* (VGSS48) W/W	1	EA	
P	G3202041AL	DOOR SUBASSY LH *AL* (VGSS48)	1	EA	NO LONGER AVAILABLE, Not available online / Call for pricing and availability
Not Shown	G3202041ALBR	DOOR SUBASSY LH *AL* (VGSS48)	1	EA	NO LONGER AVAILABLE, Not available online / Call for pricing and availability
Not Shown	G3202041BK	DOOR SUBASSY LH *BK* (VGSS48)	1	EA	NO LONGER AVAILABLE, Not available online / Call for pricing and availability



Item	Part No.	Name	Qty	Uom	NOTES
Not Shown	G3202041BKBR	DOOR SUBASSY LH *BK* (VGSS48)	1	EA	NO LONGER AVAILABLE, Not available online / Call for pricing and availability
Not Shown	G3202041BT	DOOR SUBASSY LH *BT* (VGSS48)	1	EA	NO LONGER AVAILABLE, Not available online / Call for pricing and availability
Not Shown	G3202041BTBR	DOOR SUBASSY LH *BT*BR (VGSS48)	1	EA	NO LONGER AVAILABLE, Not available online / Call for pricing and availability
Not Shown	G3202041BU	DOOR SUBASSY LH *BU* (VGSS48)	1	EA	NO LONGER AVAILABLE, Not available online / Call for pricing and availability
Not Shown	G3202041BUBR	DOOR SUBASSY LH *BU*BR* (VGIC48)	1	EA	NO LONGER AVAILABLE, Not available online / Call for pricing and availability
Not Shown	G3202041CB	DOOR SUBASSY LH *CB* (VGSS48)	1	EA	NO LONGER AVAILABLE, Not available online / Call for pricing and availability
Not Shown	G3202041CBBR	DOOR SUBASSY LH *CB*BR (VGSS48)	1	EA	NO LONGER AVAILABLE, Not available online / Call for pricing and availability
Not Shown	G3202041EP	DOOR SUBASSY LH *EP* (VGSS48)	1	EA	NO LONGER AVAILABLE, Not available online / Call for pricing and availability
Not Shown	G3202041EPBR	DOOR SUBASSY LH *EP*BR (VGSS48)	1	EA	NO LONGER AVAILABLE, Not available online / Call for pricing and availability
Not Shown	G3202041FG	DOOR SUBASSY LH *FG* (VGSS48)	1	EA	NO LONGER AVAILABLE, Not available online / Call for pricing and availability
Not Shown	G3202041FGBR	DOOR SUBASSY LH *FG*BR* (VGIC48)	1	EA	NO LONGER AVAILABLE, Not available online / Call for pricing and availability

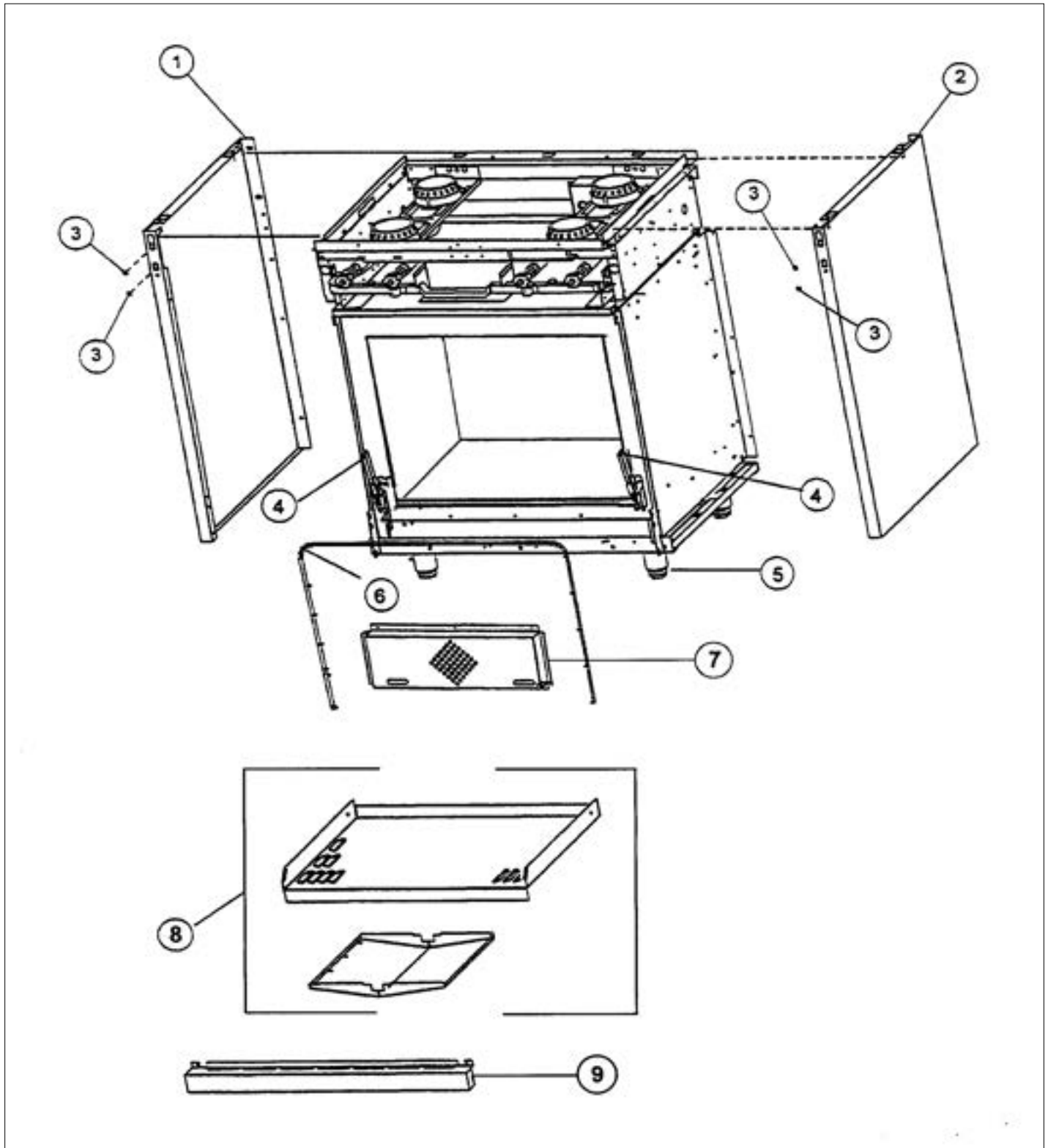


Item	Part No.	Name	Qty	Uom	NOTES
Not Shown	G3202041GG	DOOR SUBASSY LH *GG* (VGSS48)	1	EA	NO LONGER AVAILABLE, Not available online / Call for pricing and availability
Not Shown	G3202041GGBR	DOOR SUBASSY LH *GG*BR* (VGIC48)	1	EA	NO LONGER AVAILABLE, Not available online / Call for pricing and availability
Not Shown	G3202041LE	DOOR SUBASSY LH *LE* (VGSS48)	1	EA	NO LONGER AVAILABLE, Not available online / Call for pricing and availability
Not Shown	G3202041LEBR	DOOR SUBASSY LH *LE*BR (VGSS48)	1	EA	NO LONGER AVAILABLE, Not available online / Call for pricing and availability
Not Shown	G3202041LN	DOOR SUBASSY LH *LN* (VGIC48)	1	EA	NO LONGER AVAILABLE, Not available online / Call for pricing and availability
Not Shown	G3202041LNBR	DOOR SUBASSY LH *LN*BR* (VGIC48)	1	EA	NO LONGER AVAILABLE, Not available online / Call for pricing and availability
Not Shown	G3202041MJ	DOOR SUBASSY LH *MJ* (VGSS48)	1	EA	NO LONGER AVAILABLE, Not available online / Call for pricing and availability
Not Shown	G3202041MJBR	DOOR SUBASSY LH *MJ*BR (VGSS48)	1	EA	NO LONGER AVAILABLE, Not available online / Call for pricing and availability
Not Shown	G3202041PL	DOOR SUBASSY LH *PL* (VGSS48)	1	EA	NO LONGER AVAILABLE, Not available online / Call for pricing and availability
Not Shown	G3202041PLBR	DOOR SUBASSY LH *PL*BR* (VGIC48)	1	EA	NO LONGER AVAILABLE, Not available online / Call for pricing and availability
Not Shown	G3202041SG	DOOR SUBASSY LH *SG* (VGSS48)	1	EA	NO LONGER AVAILABLE, Not available online / Call for pricing and availability



Item	Part No.	Name	Qty	Uom	NOTES
Not Shown	G3202041SGBR	DOOR SUBASSY LH *SG*BR (VGSS48)	1	EA	NO LONGER AVAILABLE, Not available online / Call for pricing and availability
Not Shown	G3202041SS	DOOR SUBASSY LH *SS* (VGSS48)	1	EA	NO LONGER AVAILABLE
Not Shown	G3202041SSBR	DOOR SUBASSY LH *BR*(VGSS48)	1	EA	NO LONGER AVAILABLE, Not available online / Call for pricing and availability
Not Shown	G3202041VB	DOOR SUBASSY LH *VB* (VGSS48)	1	EA	NO LONGER AVAILABLE, Not available online / Call for pricing and availability
Not Shown	G3202041VBBR	DOOR SUBASSY LH *VB*BR* (VGIC48)	1	EA	NO LONGER AVAILABLE, Not available online / Call for pricing and availability
Not Shown	G3202041WH	DOOR SUBASSY LH *WH* (VGSS48)	1	EA	NO LONGER AVAILABLE, Not available online / Call for pricing and availability
Not Shown	G3202041WHBR	DOOR SUBASSY LH *WH*(VGSS48)	1	EA	NO LONGER AVAILABLE, Not available online / Call for pricing and availability
NI	PD020032	SRW-8(A)X3/8"PH.WFR HD 7/16DIA*NICL	1	EA	

PANEL - OVEN





Item	Part No.	Name	Qty	Uom	NOTES
1	B2002598	O/S BODY PANEL LH (SS)	1	EA	
Not Shown	C9002598AL	BODY PNL LH 30'REPL C9001922AL	1	EA	NO LONGER AVAILABLE, Not available online / Call for pricing and availability
Not Shown	C9002598BK	BODY PNL LH 30'REPL C9001922BK	1	EA	NO LONGER AVAILABLE
Not Shown	C9002598BT	O/S BODY PANEL-LH *BT* (VDSC)	1	EA	NO LONGER AVAILABLE
Not Shown	C9002598BU	BODY PNL LH 30'REPL C9001922BU	1	EA	NO LONGER AVAILABLE
Not Shown	C9002598CB	O/S BODY PANEL-LH *CB* (VDSC)	1	EA	NO LONGER AVAILABLE
Not Shown	C9002598EP	O/S BODY PANEL-LH *EP* (VDSC)	1	EA	NO LONGER AVAILABLE
Not Shown	C9002598FG	BODY PNL LH 30'REPL C9001922FG	1	EA	NO LONGER AVAILABLE
Not Shown	C9002598GG	BODY PNL LH 30'REPL C9001922GG	1	EA	NO LONGER AVAILABLE
Not Shown	C9002598LE	O/S BODY PANEL-LH *LE* (VDSC)	1	EA	NO LONGER AVAILABLE
Not Shown	C9002598LN	BODY PNL LH 30'REPL C9001922LN	1	EA	NO LONGER AVAILABLE
Not Shown	C9002598MJ	O/S BODY PANEL-LH *MJ* (VDSC)	1	EA	NO LONGER AVAILABLE
Not Shown	C9002598PL	BODY PNL LH 30'REPL C9001922PL	1	EA	NO LONGER AVAILABLE
Not Shown	C9002598SG	O/S BODY PANEL-LH *SG* (VDSC)	1	EA	NO LONGER AVAILABLE
Not Shown	C9002598VB	BODY PNL LH 30'REPL C9001922VB	1	EA	NO LONGER AVAILABLE
Not Shown	C9002598WH	BODY PNL LH 30'REPL C9001922WH	1	EA	NO LONGER AVAILABLE
2	B2002597	O/S BODY PANEL - RH (SS)	1	EA	
Not Shown	C9002597AL	O/S BODY PANEL-RH *AL* (VDSC)	1	EA	NO LONGER AVAILABLE, Not available online / Call for pricing and availability
Not Shown	C9002597BK	BODY PNL RH BK REPL C9001921BK	1	EA	
Not Shown	C9002597BT	O/S BODY PANEL-RH *BT* (VDSC)	1	EA	NO LONGER AVAILABLE



Item	Part No.	Name	Qty	Uom	NOTES
Not Shown	C9002597BU	BODY PNL RH BU REPL C9001921BU	1	EA	Not available online / Call for pricing and availability
Not Shown	C9002597CB	O/S BODY PANEL-RH *CB* (VDSC)	1	EA	NO LONGER AVAILABLE
Not Shown	C9002597EP	O/S BODY PANEL-RH *EP* (VDSC)	1	EA	NO LONGER AVAILABLE
Not Shown	C9002597FG	BODY PNL RH FG REPL C9001921FG	1	EA	NO LONGER AVAILABLE, Not available online / Call for pricing and availability
Not Shown	C9002597GG	BODY PNL RH GG REPL C9001921GG	1	EA	Not available online / Call for pricing and availability
Not Shown	C9002597LE	O/S BODY PANEL-RH *LE* (VDSC)	1	EA	
Not Shown	C9002597LN	BODY PNL RH LN REPL C9001921LN	1	EA	NO LONGER AVAILABLE, Not available online / Call for pricing and availability
Not Shown	C9002597MJ	O/S BODY PANEL-RH *MJ* (VDSC)	1	EA	NO LONGER AVAILABLE
Not Shown	C9002597PL	BODY PNL RH PL REPL C9001921PL	1	EA	NO LONGER AVAILABLE, Not available online / Call for pricing and availability
Not Shown	C9002597SG	O/S BODY PANEL-RH *SG* (VDSC)	1	EA	NO LONGER AVAILABLE, Not available online / Call for pricing and availability
Not Shown	C9002597VB	BODY PNL RH VB REPL C9001921VB	1	EA	
Not Shown	C9002597WH	BODY PNL RH WH REPL C9001921WH	1	EA	NO LONGER AVAILABLE
3	PD030005	SELF RETAINING NUT	1	EA	
4	PC020007	HINGE ASSY (NO COLOR)(MUST ORDER 2 PD020033 SCREW WHEN REPLACING HINGE)	1	EA	
5	PC030017	4" LEG ASSY	1	EA	
6	PB070030	OVEN DR GASKET-30" & 36"	1	EA	
Not Shown	PB070035	OVEN DR GASKET LH (VGSS48)	1	EA	

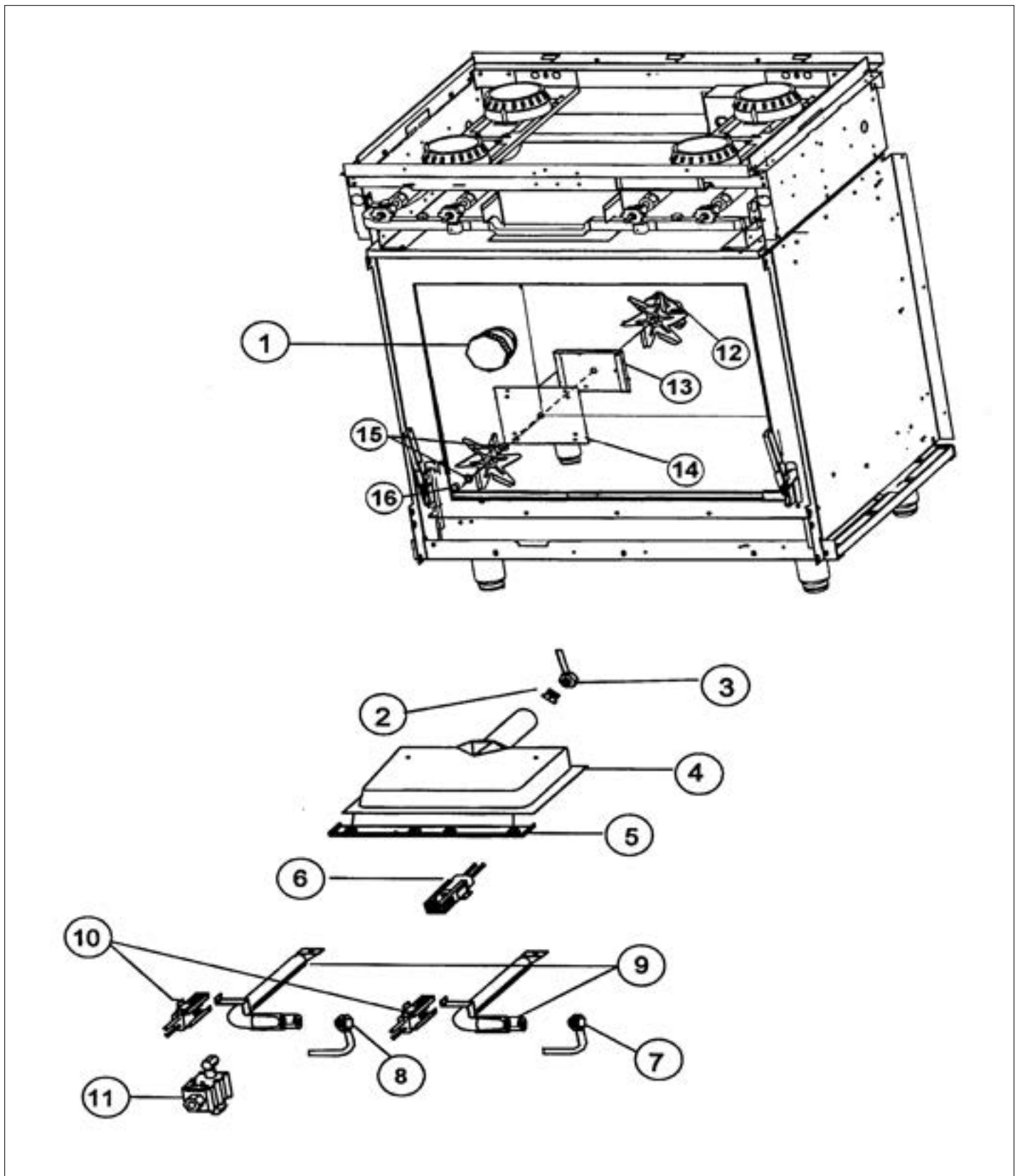


Item	Part No.	Name	Qty	Uom	NOTES
7	G9101371	CONVECTION FAN COVER ASSY(VGSC305)	1	EA	
8	G3204251	BTM PAN ASSY (REPL G9102273)	1	EA	
Not Shown	NOTE	(FOR RH OVEN)		EA	
Not Shown	G3204255	OVEN BOTTOM ASSY - LH OVEN, 48"	1	EA	NO LONGER AVAILABLE
Not Shown	NOTE	(FOR LH OVEN)		EA	
9	B2001241	LWR ACC. PNL - RPLCS B2001973	1	EA	
Not Shown	C9001241AL	LWR ACC PNL - RPLCS C9001973AL	1	EA	NO LONGER AVAILABLE, Not available online / Call for pricing and availability
Not Shown	C9001241BK	LWR ACC PNL - RPLCS C9001973BK	1	EA	NO LONGER AVAILABLE
Not Shown	C9001241BT	LWR ACC PNL - RPLCS C9001973BT	1	EA	NO LONGER AVAILABLE
Not Shown	C9001241BU	LWR ACC PNL - RPLCS C9001973BU	1	EA	NO LONGER AVAILABLE
Not Shown	C9001241CB	LWR ACC PNL - RPLCS C9001973CB	1	EA	NO LONGER AVAILABLE
Not Shown	C9001241EP	LWR ACC PNL - RPCLS C9001973EP	1	EA	NO LONGER AVAILABLE
Not Shown	C9001241FG	LWR ACC PNL - RPLCS C9001973FG	1	EA	NO LONGER AVAILABLE
Not Shown	C9001241GG	LWR ACC PNL - RPLCS C9001973GG	1	EA	NO LONGER AVAILABLE
Not Shown	C9001241LE	LWR ACC PNL - RPLCS C9001973LE	1	EA	NO LONGER AVAILABLE
Not Shown	C9001241LN	LWR ACC PNL - RPLCS C9001973LN	1	EA	NO LONGER AVAILABLE
Not Shown	C9001241MJ	LWR ACC PNL - RPLCS C9001973MJ	1	EA	NO LONGER AVAILABLE
Not Shown	C9001241PL	LWR ACC PNL - RPLCS C9001973PL	1	EA	NO LONGER AVAILABLE
Not Shown	C9001241SG	LWR ACC PNL - RPLCS C9001973SG	1	EA	NO LONGER AVAILABLE
Not Shown	C9001241VB	LWR ACC PNL - RPLCS C9001973VB	1	EA	NO LONGER AVAILABLE
Not Shown	C9001241WH	LWR ACC PNL - RPLCS C9001973WH	1	EA	NO LONGER AVAILABLE



Item	Part No.	Name	Qty	Uom	NOTES
NI	A2008456	HINGE POCKET COVER,VGIC RH	1	EA	
NI	A2008457	HINGE POCKET COVER,VGIC LH	1	EA	

RH GAS - ELECTRICAL



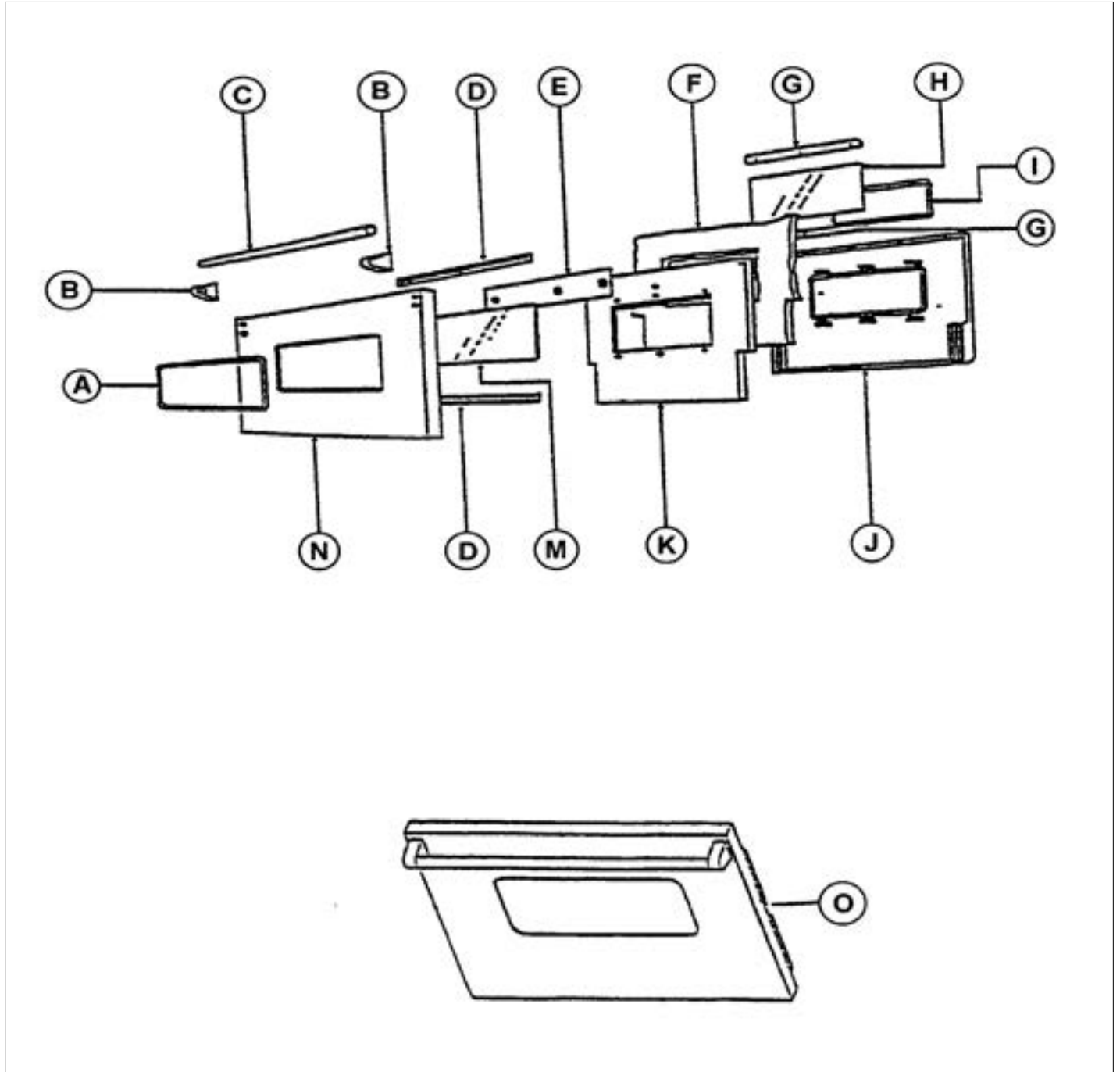


Item	Part No.	Name	Qty	Uom	NOTES
1	031449-000	LAMP, ASM	1	EA	
2	SEE CHART	Orifice Spud - I/R Broiler	1	EA	
3	PB020060	TUBING - BROIL-SAFETY VALVE(VGIS36)	1	EA	
Not Shown	PB020061	TUBING - BROIL-SAFETY VALVE(VGIS48)	1	EA	
NI	PD030018	PALNUT - 3/4-16	1	EA	
4	G3001876	IR BURNER ASSY (VGSC/RC) N/S	1	EA	
5	B2001448	IR BROIL SUPT (FRONT)	1	EA	
B200226 1	020409-000	BRACKET, SPRT, FR, I/R BROILER	1	EA	
6	065650-000	IGNITOR, FLAT, HOT SURFACE	1	EA	
7	PB020102	BAKE BURNER TUBE-RH (36")1.60MM	1	EA	
Not Shown	NOTE	(FOR RH OVEN)		EA	
Not Shown	PB020100	BAKE BURNER TUBE-RH (48"R.H.)1.60MM	1	EA	
Not Shown	NOTE	(FOR RH OVEN)		EA	
8	PB020101	BAKE BURNER TUBE-LH (36")1.60MM	1	EA	Not available online / Call for pricing and availability
Not Shown	NOTE	(FOR LH OVEN)		EA	
Not Shown	PB020099	BAKE BURNER TUBE-LH (48"R.H.)1.60MM	1	EA	NO LONGER AVAILABLE
Not Shown	NOTE	(FOR LH OVEN)		EA	
9	PB050012	OVEN BURNER REPL PB050009	1	EA	
10	065650-000	IGNITOR, FLAT, HOT SURFACE	1	EA	
11	PB010084	DUAL THERMAL BI-MTL GAS CTRL VALVE	1	EA	
12	SEE CHART	ORIFICE HOOD-BAKE BURNER	1	EA	
NI	E9101452	FLAME SPREADER 30" (VGSS)	1	EA	NOT FIELD REPLACEABLE
NI	PB020060	TUBING - BROIL-SAFETY VALVE(VGIS36)	1	EA	



Item	Part No.	Name	Qty	Uom	NOTES
Not Shown	NOTE	(36" - MANIFOLD TO VALVE)		EA	
NI	PB020061	TUBING - BROIL-SAFETY VALVE(VGIS48)	1	EA	
Not Shown	NOTE	(48" 4GQ/6G - MANIFOLD TO VALVE)		EA	
NI	PB020062	TUBING-FOR MANUF. USE (F2002300)	1	EA	NO LONGER AVAILABLE
Not Shown	NOTE	(48" 6Q - MANIFOLD TO VALVE)		EA	
13	PE070228	TORODIAL TRANSFORMER - 200VA	1	EA	NO LONGER AVAILABLE, Not available online / Call for pricing and availability

RH OVEN DOOR





Item	Part No.	Name	Qty	Uom	NOTES
A	PE010030	LOGO 6" (VGRC) *BK*	1	EA	
Not Shown	PE010034	LOGO 6" (VGRC) *BU*	1	EA	NO LONGER AVAILABLE
Not Shown	PE010036	LOGO 6" (VGRC) *FG*	1	EA	NO LONGER AVAILABLE
Not Shown	PE010032	LOGO 6" (VGRC) *PL*	1	EA	Not available online / Call for pricing and availability
Not Shown	PE010035	LOGO 6" (VGRC) *VB*	1	EA	NO LONGER AVAILABLE
Not Shown	PE010031	LOGO 6" (VGRC) *BK/WH*	1	EA	NO LONGER AVAILABLE
Not Shown	PE010068	6" LOGO (VIKING/PROF) BK/BR	1	EA	
Not Shown	PE010076	LOGO 6" (VGRC) *BR/WH*	1	EA	NO LONGER AVAILABLE
NI	PD030006	CAPPED WASHER PAL NUT	1	EA	
B	PE060007	J-MOLD (1" RADIUS)	1	EA	
Not Shown	PE060020	J-MOLD (VGSO OVN DOOR) *BR*	1	EA	NO LONGER AVAILABLE
C	000268-000	HANDLE ENDCAP	1	EA	
NI	PD010019	BLT-1/4-20X3/8"HEX WASHER SERATED	1	EA	
Not Shown	PE030011	SUB TO PE030001- PVD DOOR HDLE BRKT *BR	1	EA	NO LONGER AVAILABLE
D	PE030005	DOOR HANDLE - VGSC30/RC60/RC48RH	1	EA	
Not Shown	PE030012PVD	DOOR HANDLE - RH - (30"/48") PVD	1	EA	
E	A2001447	OUTER DOOR GLASS RETAINER	1	EA	
F	A1001381	DOOR HEAT BAFFLE (VGSC/VGSS)	1	EA	
G	PB070034	INSULATION-TRS-10 1" X 20" X 77' ROLL	1	EA	NO LONGER AVAILABLE
H	A2001480	INNER DOOR GLASS RETAINER	1	EA	
J	PE060008	GLASS REPL PE060009	1	EA	
K	PB070014	DOOR GLASS SEAL STRIP - WINDOW DRS.	1	EA	
L	H9101928	OVEN DR LINER ASSY (30)W/WD (MC)	1	EA	



Item	Part No.	Name	Qty	Uom	NOTES
M	A2001718	DOOR INSUL RETAINER (VGSC/SS) W/W	1	EA	NO LONGER AVAILABLE
N	PE060018	OVEN GLASS- TEMPERED,SCREENED*BK*	1	EA	
O	H3002036	O/S DOOR PANEL RH *SS* (VGSS48)	1	EA	
Not Shown	H9002037AL	O/S DR PANEL RH *AL* (VGSS480)	1	EA	NO LONGER AVAILABLE, Not available online / Call for pricing and availability
P	H9002037BK	O/S DR PANEL RH *BK* (VGSS480)	1	EA	Not available online / Call for pricing and availability
Not Shown	H9002037BT	O/S DR PANEL RH *BT* (VGSS480)	1	EA	NO LONGER AVAILABLE, Not available online / Call for pricing and availability
Not Shown	H9002037BU	O/S DR PANEL RH *BU* (VGIC48)	1	EA	NO LONGER AVAILABLE, Not available online / Call for pricing and availability
Not Shown	H9002037CB	O/S DR PANEL RH *CB* (VGSS480)	1	EA	NO LONGER AVAILABLE, Not available online / Call for pricing and availability
Not Shown	H9002037EP	O/S DR PANEL RH *EP* (VGSS480)	1	EA	NO LONGER AVAILABLE, Not available online / Call for pricing and availability
Not Shown	H9002037FG	O/S DR PANEL RH *FG* (VGIC48)	1	EA	NO LONGER AVAILABLE, Not available online / Call for pricing and availability
Not Shown	H9002037GG	O/S DR PANEL RH *GG* (VGIC48)	1	EA	NO LONGER AVAILABLE, Not available online / Call for pricing and availability
Not Shown	H9002037LE	O/S DR PANEL RH *LE* (VGSS480)	1	EA	NO LONGER AVAILABLE, Not available online / Call for pricing and availability



Item	Part No.	Name	Qty	Uom	NOTES
Not Shown	H9002037LN	O/S DR PANEL RH *LN* (VGIC48)	1	EA	NO LONGER AVAILABLE, Not available online / Call for pricing and availability
Not Shown	H9002037MJ	O/S DR PANEL RH *MJ* (VGSS480)	1	EA	NO LONGER AVAILABLE, Not available online / Call for pricing and availability
Not Shown	H9002037PL	O/S DR PANEL RH *PL* (VGIC48)	1	EA	NO LONGER AVAILABLE, Not available online / Call for pricing and availability
Not Shown	H9002037SG	O/S DR PANEL RH *SG* (VGSS480)	1	EA	NO LONGER AVAILABLE, Not available online / Call for pricing and availability
Not Shown	H9002037VB	O/S DR PANEL RH *VB* (VGIC48)	1	EA	NO LONGER AVAILABLE, Not available online / Call for pricing and availability
Not Shown	H9002037WH	O/S DR PANEL RH *WH* (VGSS480)	1	EA	NO LONGER AVAILABLE, Not available online / Call for pricing and availability
Not Shown	G3202045AL	DOOR SUBASSY RH *AL* (VGSS48)	1	EA	NO LONGER AVAILABLE, Not available online / Call for pricing and availability
Not Shown	G3202045ALBR	DOOR SUBASSY RH *AL*(VGSS48)	1	EA	NO LONGER AVAILABLE, Not available online / Call for pricing and availability
Not Shown	G3202045BK	DOOR SUBASSY RH *BK* (VGSS48)	1	EA	NO LONGER AVAILABLE, Not available online / Call for pricing and availability
Not Shown	G3202045BKBR	DOOR SUBASSY RH *BK* (VGSS48)	1	EA	NO LONGER AVAILABLE, Not available online / Call for pricing and availability
Not Shown	G3202045BT	DOOR SUBASSY RH *BT* (VGSS48)	1	EA	NO LONGER AVAILABLE, Not available online / Call for pricing and availability



Item	Part No.	Name	Qty	Uom	NOTES
Not Shown	G3202045BTBR	COMPLETE DOOR ASSY. - BTBR	1	EA	Not available online / Call for pricing and availability
Not Shown	G3202045BU	COMPLETE DOOR ASSEMBLY W/ WINDOW - BU	1	EA	Not available online / Call for pricing and availability
Not Shown	G3202045BUBR	DOOR SUBASSY RH *BU*BR* (VGIC48)	1	EA	NO LONGER AVAILABLE, Not available online / Call for pricing and availability
Not Shown	G3202045CB	DOOR SUBASSY RH *CB* (VGSS48)	1	EA	NO LONGER AVAILABLE, Not available online / Call for pricing and availability
Not Shown	G3202045CBBR	COMPLETE DOOR ASSY. - CBBR	1	EA	Not available online / Call for pricing and availability
Not Shown	G3202045EP	DOOR SUBASSY RH *EP* (VGSS48)	1	EA	NO LONGER AVAILABLE, Not available online / Call for pricing and availability
Not Shown	G3202045EPBR	COMPLETE DOOR ASSY. - EPBR	1	EA	Not available online / Call for pricing and availability
Not Shown	G3202045FG	COMPLETE DOOR ASSEMBLY W/ WINDOW - FG	1	EA	Not available online / Call for pricing and availability
Not Shown	G3202045FGBR	DOOR SUBASSY RH *FG*BR* (VGIC48)	1	EA	NO LONGER AVAILABLE, Not available online / Call for pricing and availability
Not Shown	G3202045GG	DOOR SUBASSY RH *GG* (VGIC48)	1	EA	NO LONGER AVAILABLE, Not available online / Call for pricing and availability
Not Shown	G3202045GGBR	DOOR SUBASSY RH *GG*BR* (VGIC48)	1	EA	NO LONGER AVAILABLE, Not available online / Call for pricing and availability



Item	Part No.	Name	Qty	Uom	NOTES
Not Shown	G3202045LE	DOOR SUBASSY RH *LE* (VGSS48)	1	EA	NO LONGER AVAILABLE, Not available online / Call for pricing and availability
Not Shown	G3202045LEBR	COMPLETE DOOR ASSY. - LEBR	1	EA	Not available online / Call for pricing and availability
Not Shown	G3202045LN	DOOR SUBASSY RH *LN* (VGIC48)	1	EA	NO LONGER AVAILABLE, Not available online / Call for pricing and availability
Not Shown	G3202045LNBR	DOOR SUBASSY RH *LN*BR* (VGIC48)	1	EA	NO LONGER AVAILABLE, Not available online / Call for pricing and availability
Not Shown	G3202045MJ	DOOR SUBASSY RH *MJ* (VGSS48)	1	EA	NO LONGER AVAILABLE, Not available online / Call for pricing and availability
Not Shown	G3202045MJBR	COMPLETE DOOR ASSY. - MJBR	1	EA	Not available online / Call for pricing and availability
Not Shown	G3202045PL	COMPLETE DOOR ASSEMBLY W/ WINDOW - PL	1	EA	Not available online / Call for pricing and availability
Not Shown	G3202045PLBR	DOOR SUBASSY RH *PL*BR* (VGIC48)	1	EA	NO LONGER AVAILABLE, Not available online / Call for pricing and availability
Not Shown	G3202045SG	DOOR SUBASSY RH *SG* (VGSS48)	1	EA	NO LONGER AVAILABLE, Not available online / Call for pricing and availability
Not Shown	G3202045SGBR	DOOR SUBASSY RH *SG*BR (VGSS48)	1	EA	NO LONGER AVAILABLE, Not available online / Call for pricing and availability
Not Shown	G3202045SS	DOOR SUBASSY RH *SS* (VGSS48)	1	EA	Not available online / Call for pricing and availability



Item	Part No.	Name	Qty	Uom	NOTES
Not Shown	G3202045SSBR	DOOR SUBASSY RH *BR*(VGSS48)	1	EA	NO LONGER AVAILABLE, Not available online / Call for pricing and availability
Not Shown	G3202045VB	DOOR SUBASSY RH *VB*(VGSS48)	1	EA	NO LONGER AVAILABLE, Not available online / Call for pricing and availability
Not Shown	G3202045VBBR	DOOR SUBASSY RH *VB*BR*(VGIC48)	1	EA	NO LONGER AVAILABLE, Not available online / Call for pricing and availability
Not Shown	G3202045WH	DOOR SUBASSY RH *WH*(VGSS48)	1	EA	NO LONGER AVAILABLE, Not available online / Call for pricing and availability
Not Shown	G3202045WHBR	DOOR SUBASSY RH *WH*(VGSS48)	1	EA	NO LONGER AVAILABLE, Not available online / Call for pricing and availability
NI	PD020032	SRW-8(A)X3/8"PH.WFR HD 7/16DIA*NICL	1	EA	



Appendix A:Pages Index

BURNER BOX SUBASSY 1
CONTROL - RACK 2
EXTERIOR ASSY 3
FUNCTIONAL PARTS4
GRIDDLE 5
GRILL 6
LH CONTROL - RACK 7
LH OVEN DOOR 8
PANEL - OVEN 9
RH GAS - ELECTRICAL 10
RH OVEN DOOR 11



Appendix B:Parts Index

000268-000	8, 11	A2001908	5
003862-000	1, 4, 5	A2001949	5
020409-000	10	A2001961	8
031449-000	7, 10	A2002001	5
050172-000	2, 7	A2002073	1
065650-000	4, 5, 7, 10, 10	A2002147	5
066982-000	3	A2002377	1
072628-402	6	A2003555	1
074908-000	6, 6	A2003556	1
077728-000	2	A2003557	1
A1001138	1	A2003558	1
A1001198	5	A2008456	9
A1001381	11	A2008457	9
A1001513	8	B2001140	6
A1001636	5	B2001241	9
A1001862	6	B2001448	10
A2001104	5	B2001856	6
A2001112	1	B2001857	6
A2001132	6	B2001884	5
A2001147	1	B2001974	7
A2001148	5	B2002345	3
A2001220	7	B2002346	3
A2001259	2	B2002597	9
A2001300	5	B2002598	9
A2001447	11	B3001149	3
A2001480	11	B9203042	2
A2001620	1	B9203043	2
A2001621	8	B9203044	2
A2001622	8	C9001241AL	9
A2001627	1	C9001241BK	9
A2001628	1	C9001241BT	9
A2001630	5	C9001241BU	9
A2001631	6	C9001241CB	9
A2001633	6	C9001241EP	9
A2001718	11	C9001241FG	9
A2001852	6	C9001241GG	9
A2001855	6	C9001241LE	9
A2001863	6	C9001241LN	9
A2001880	5	C9001241MJ	9
A2001881	5	C9001241PL	9
		C9001241SG	9



C9001241VB	9	C9002598LN	9
C9001241WH	9	C9002598MJ	9
C9001974AL	7	C9002598PL	9
C9001974BK	7	C9002598SG	9
C9001974BT	7	C9002598VB	9
C9001974BU	7	C9002598WH	9
C9001974CB	7	C9301149BR	3
C9001974EP	7	C9302345BR	3
C9001974FG	7	C9302346BR	3
C9001974GG	7	E9101115AL	3
C9001974LE	7	E9101115BK	3
C9001974LN	7	E9101115BT	3
C9001974MJ	7	E9101115BU	3
C9001974PL	7	E9101115CB	3
C9001974SG	7	E9101115EP	3
C9001974VB	7	E9101115FG	3
C9001974WH	7	E9101115GG	3
C9002597AL	9	E9101115LE	3
C9002597BK	9	E9101115LN	3
C9002597BT	9	E9101115MJ	3
C9002597BU	9	E9101115PL	3
C9002597CB	9	E9101115SG	3
C9002597EP	9	E9101115VB	3
C9002597FG	9	E9101115WH	3
C9002597GG	9	E9101452	10
C9002597LE	9	E9107933	2
C9002597LN	9	E9107934	2
C9002597MJ	9	G3001278	5
C9002597PL	9	G3001584	2
C9002597SG	9	G3001876	4, 10
C9002597VB	9	G3103161	3
C9002597WH	9	G3202041AL	8
C9002598AL	9	G3202041ALBR	8
C9002598BK	9	G3202041BK	8
C9002598BT	9	G3202041BKBR	8
C9002598BU	9	G3202041BT	8
C9002598CB	9	G3202041BTBR	8
C9002598EP	9	G3202041BU	8
C9002598FG	9	G3202041BUBR	8
C9002598GG	9	G3202041CB	8
C9002598LE	9	G3202041CBBR	8



G3202041EP	8	G3202045LNBR	11
G3202041EPBR	8	G3202045MJ	11
G3202041FG	8	G3202045MJBR	11
G3202041FGBR	8	G3202045PL	11
G3202041GG	8	G3202045PLBR	11
G3202041GGBR	8	G3202045SG	11
G3202041LE	8	G3202045SGBR	11
G3202041LEBR	8	G3202045SS	11
G3202041LN	8	G3202045SSBR	11
G3202041LNBR	8	G3202045VB	11
G3202041MJ	8	G3202045VBBR	11
G3202041MJBR	8	G3202045WH	11
G3202041PL	8	G3202045WHBR	11
G3202041PLBR	8	G3204251	9
G3202041SG	8	G3204255	7, 9
G3202041SGBR	8	G4001330	1
G3202041SS	8	G4001688	1
G3202041SSBR	8	G9101182AL	6
G3202041VB	8	G9101182BK	6
G3202041VBBR	8	G9101182BT	6
G3202041WH	8	G9101182BU	6
G3202041WHBR	8	G9101182CB	6
G3202045AL	11	G9101182EP	6
G3202045ALBR	11	G9101182FG	6
G3202045BK	11	G9101182GG	6
G3202045BKBR	11	G9101182LE	6
G3202045BT	11	G9101182LN	6
G3202045BTBR	11	G9101182MJ	6
G3202045BU	11	G9101182PL	6
G3202045BUBR	11	G9101182SG	6
G3202045CB	11	G9101182VB	6
G3202045CBBR	11	G9101182WH	6
G3202045EP	11	G9101371	9
G3202045EPBR	11	G9103409	8
G3202045FG	11	H3001967	8
G3202045FGBR	11	H3002036	11
G3202045GG	11	H9001968AL	8
G3202045GGBR	11	H9001968BK	8
G3202045LE	11	H9001968BT	8
G3202045LEBR	11	H9001968BU	8
G3202045LN	11	H9001968CB	8



H9001968EP	8	PA030002LE	3
H9001968FG	8	PA030002LN	3
H9001968GG	8	PA030002MJ	3
H9001968LE	8	PA030002PL	3
H9001968LN	8	PA030002SG	3
H9001968MJ	8	PA030002VB	3
H9001968PL	8	PA030002WH	3
H9001968SG	8	PA050037	5
H9001968VB	8	PA050038	1, 5, 6
H9001968WH	8	PA060037	3
H9002037AL	11	PA060038	3
H9002037BK	11	PA070003	4
H9002037BT	11	PA080016	3
H9002037BU	11	PA080036	1, 4
H9002037CB	11	PA080037	1, 4
H9002037EP	11	PB010004	4, 5
H9002037FG	11	PB010035	4, 5, 7
H9002037GG	11	PB010036	2, 4
H9002037LE	11	PB010083	1, 4, 7
H9002037LN	11	PB010084	10
H9002037MJ	11	PB010137	2, 7
H9002037PL	11	PB010138	5
H9002037SG	11	PB010141	2, 7
H9002037VB	11	PB010142	5
H9002037WH	11	PB010172	2, 7
H9101928	11	PB010189	2, 6
J2101749	3	PB010190	2, 6
PA010043	4, 6	PB020025	6
PA010068	1, 4	PB020050	7
PA020011	6	PB020060	10, 10
PA020015	1, 4	PB020061	10, 10
PA020024	1, 4	PB020062	10
PA020028	1, 4, 6	PB020099	7, 10
PA030002AL	3	PB020100	7, 10
PA030002BK	3	PB020101	10
PA030002BT	3	PB020102	10
PA030002BU	3	PB020116	5
PA030002CB	3	PB050012	4, 10
PA030002EP	3	PB050014	4, 7
PA030002FG	3	PB050077	4, 5, 6
PA030002GG	3	PB060016	7



PB060030	2, 7	PE050024	2, 5
PB060038	2	PE060007	11
PB070001	7	PE060008	11
PB070014	8, 11	PE060011	8
PB070030	9	PE060012	8
PB070034	8, 11	PE060013	8
PB070035	7, 9	PE060018	11
PC020003	7	PE060020	11
PC020007	9	PE060021	8
PC030017	9	PE070070	1
PD010003	3	PE070071	1
PD010012	1, 6	PE070128	1, 4
PD010017	5, 6	PE070227	4
PD010019	8, 11	PE070228	10
PD020032	8, 11	PK000007	1
PD020039	5	PK000008	1
PD030005	2, 9		
PD030006	8, 11		
PD030010	3		
PD030012	3, 5, 6		
PD030017	3		
PD030018	10		
PD030031	5		
PD040004	3		
PD040005	1		
PD040022	5		
PE010030	8, 11		
PE010031	8, 11		
PE010032	8, 11		
PE010034	8, 11		
PE010035	8, 11		
PE010036	8, 11		
PE010068	8, 11		
PE010076	8, 11		
PE030005	11		
PE030008	8		
PE030011	8, 11		
PE030012PVD	11		
PE030014PVD	8		
PE050017	2		
PE050023	2, 5		