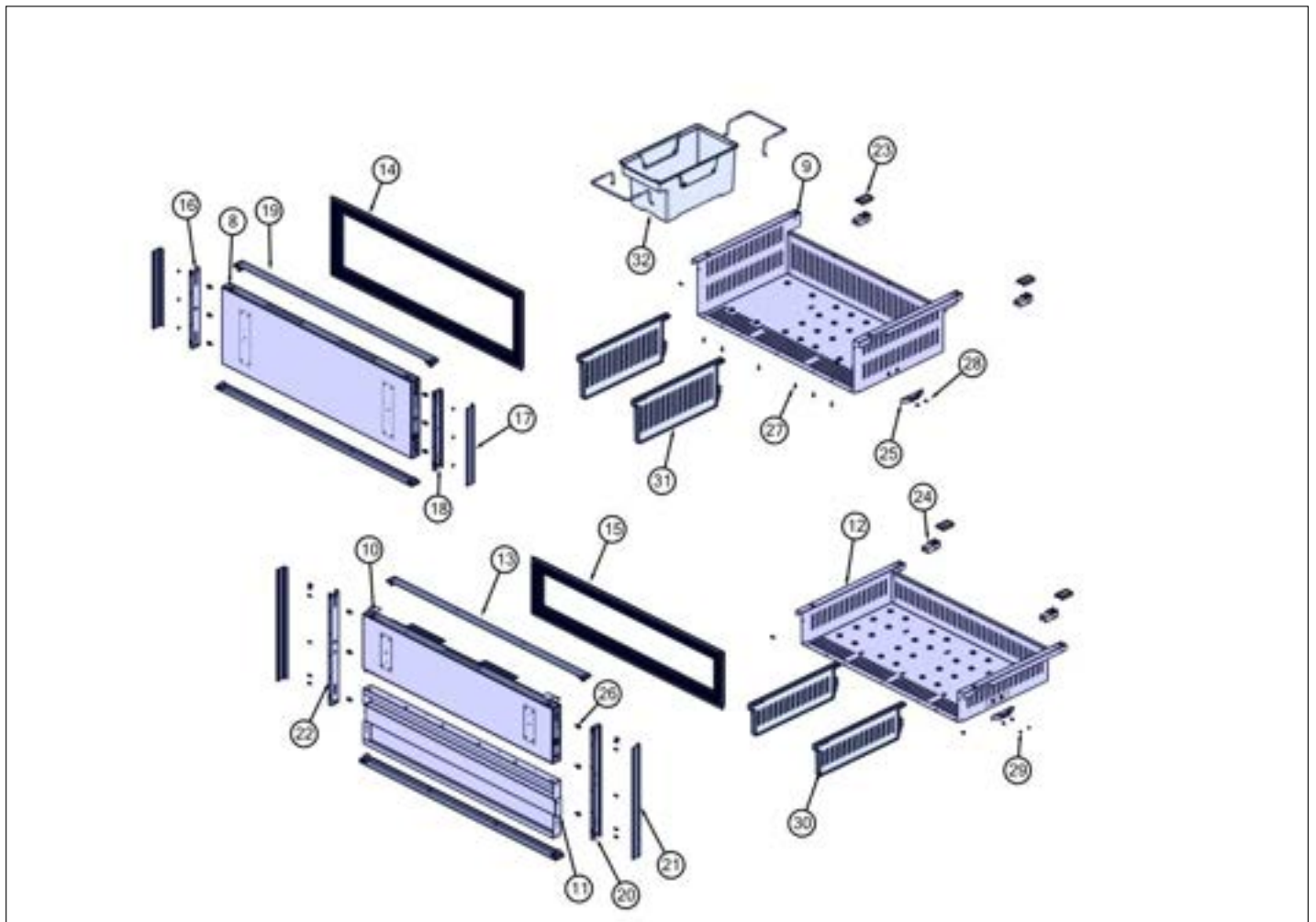


FBI7360WL01

FZ Drawers View	1
VBI7360 FF Compressor kit	2
VBI7360 FZ Compressor kit	3
VBI7360 Main control board kit	4
LH Cabinet View	5
Interior Shelving View	6
Control View	7
Water System View	8
BOTTOM VIEW	9
FF Door View	10
Interior View	11
WIRING VIEW	12
WIRING VIEW 2	13
Appendix A:Pages Index	A
Appendix B:Parts Index	B

FZ Drawers View



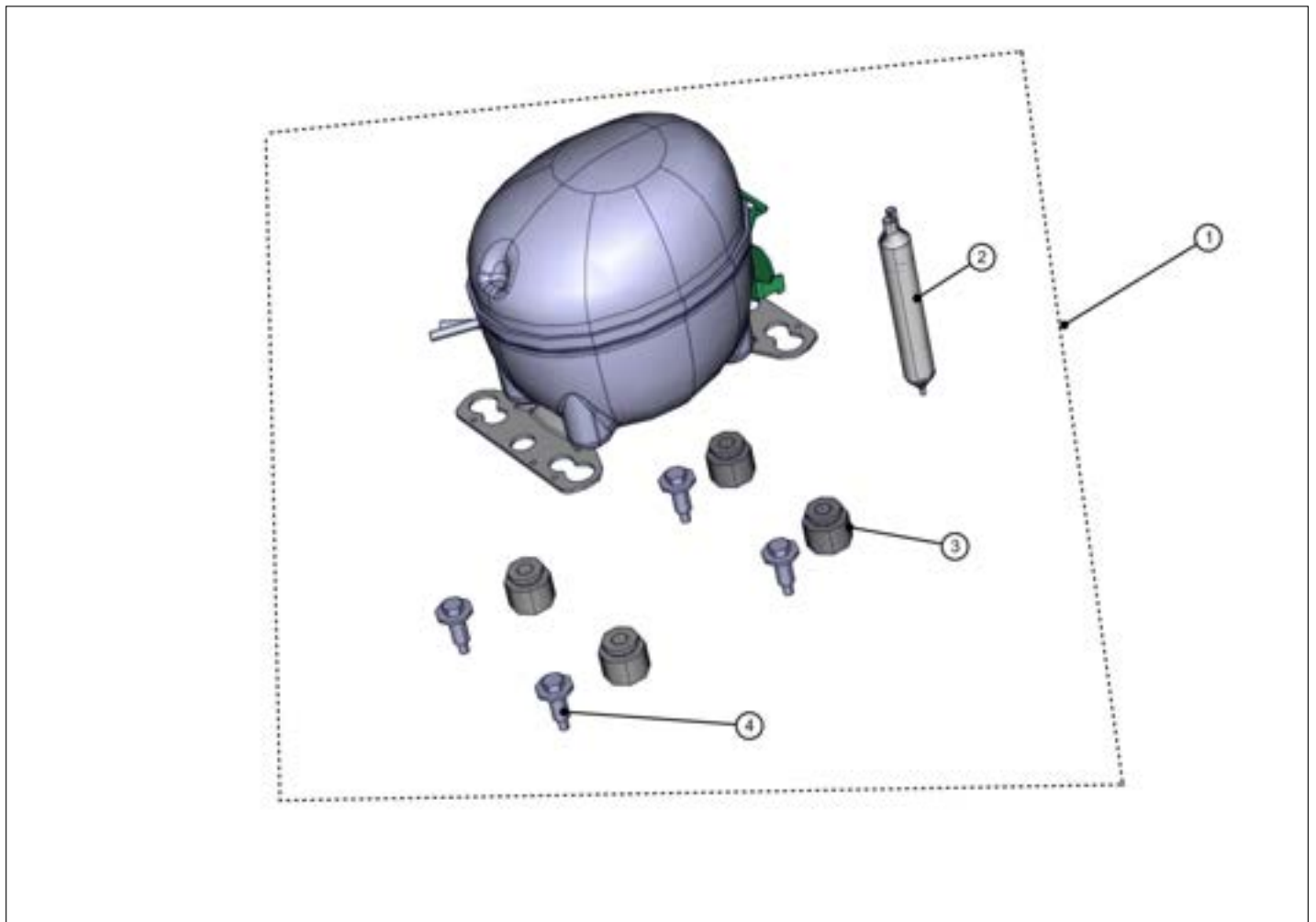


Item	Part No.	Name	Qty	Uom	NOTES
8	057601-000	TOP DRAWER, FOAMED, ASM, BM 7 SERIES	1	EA	
9	074578-006	DRAWER, FREEZER, TOP, BM 7 SERIES	1	EA	
10	057602-000	BOTTOM, DRAWER, FOAMED, ASM, BM 7 SERIES	1	EA	
11	054868-000	SUPPORT, BOT, TRIM, BOTTOM DRAWER, BM 7 SERIES	1	EA	
12	074557-006	DRAWER, FREEZER, BOT, BM 7 SERIES	1	EA	
13	054862-000	TOP, TRIM, BOT, DRAWER, BM 7 SERIES	1	EA	
14	065830-000	GASKET, TOP, FZ, DRAWER, BM 7 SERIES	1	EA	
15	065832-000	GASKET, BOTTOM, FZ, DRAWER, BM 7 SERIES	1	EA	
16	054822-000	CHANNEL, EXTR, TRIM, LEFT, TOP DRAWER, BM 7 SERIES	1	EA	
17	054833-000	COVER, CHNL, TRIM, SIDES, TOP DRAWER, BM 7 SERIES	2	EA	
18	054819-000	CHANNEL, EXTR, TRIM, RIGHT, TOP DRAWER, BM 7 SERIES	1	EA	
19	054856-000	TOP, TRIM, TOP DRAWER, BM 7 SERIES	1	EA	
20	054852-000	CHANNEL, EXTR, BRZ, TRIM, RIGHT, BOTTOM DRAWER, BM 7 SERIES	1	EA	
21	054865-000	COVER, CHNL, TRIM, SIDES, BOT DRAWER, BM 7 SERIES	2	EA	
22	054853-000	CHANNEL, EXTR, TRIM, LEFT, BOTTOM DRAWER, BM 7 SERIES	1	EA	
23	053263-000	FREEZER, DWR, REAR, BO, TOP, SLIDE, CLIP, BM 7 SERIES	2	EA	
24	053262-000	FREEZER, DWR, REAR, BOT, SLIDE, CLIP, BM 7 SERIES	2	EA	
25	053607-000	FREEZER, LIGHT, SWITCH, ACTIVATOR, BM 7 SERIES	2	EA	
26	054837-000	SCREW, ECCENTRIC, SPACER, BM 7 SERIES	6	EA	
27	PD020194	SCR, HEX SRTD WSHR HD, #8-18 X 1/2	21	EA	



Item	Part No.	Name	Qty	Uom	NOTES
28	053606-000	FREEZER, DWR, LIGHT, SWITCH, SCREW, BM 7 SERIES	2	EA	
29	053603-000	BRACKET, LT, FREEZER, DWR, BM 7 SERIES	2	EA	
30	053254-000	DIVIDER, DWR, BOT, FREEZER, BM 7 SERIES	2	EA	
31	053253-000	DIVIDER, DWR, TOP, CPLT, FREEZER, BM 7 SERIES	2	EA	
32	058532-000	ICE BIN, ASSY, BM 7 SERIES	1	EA	
NI	058854-000	WASHER, DOORS, CHANNELS, BM 7 SERIES	8	EA	
NI	062978-000	FASTENER, SCR, 8-15 X 1/2 TORX ROUND HEAD ZPS	12	EA	

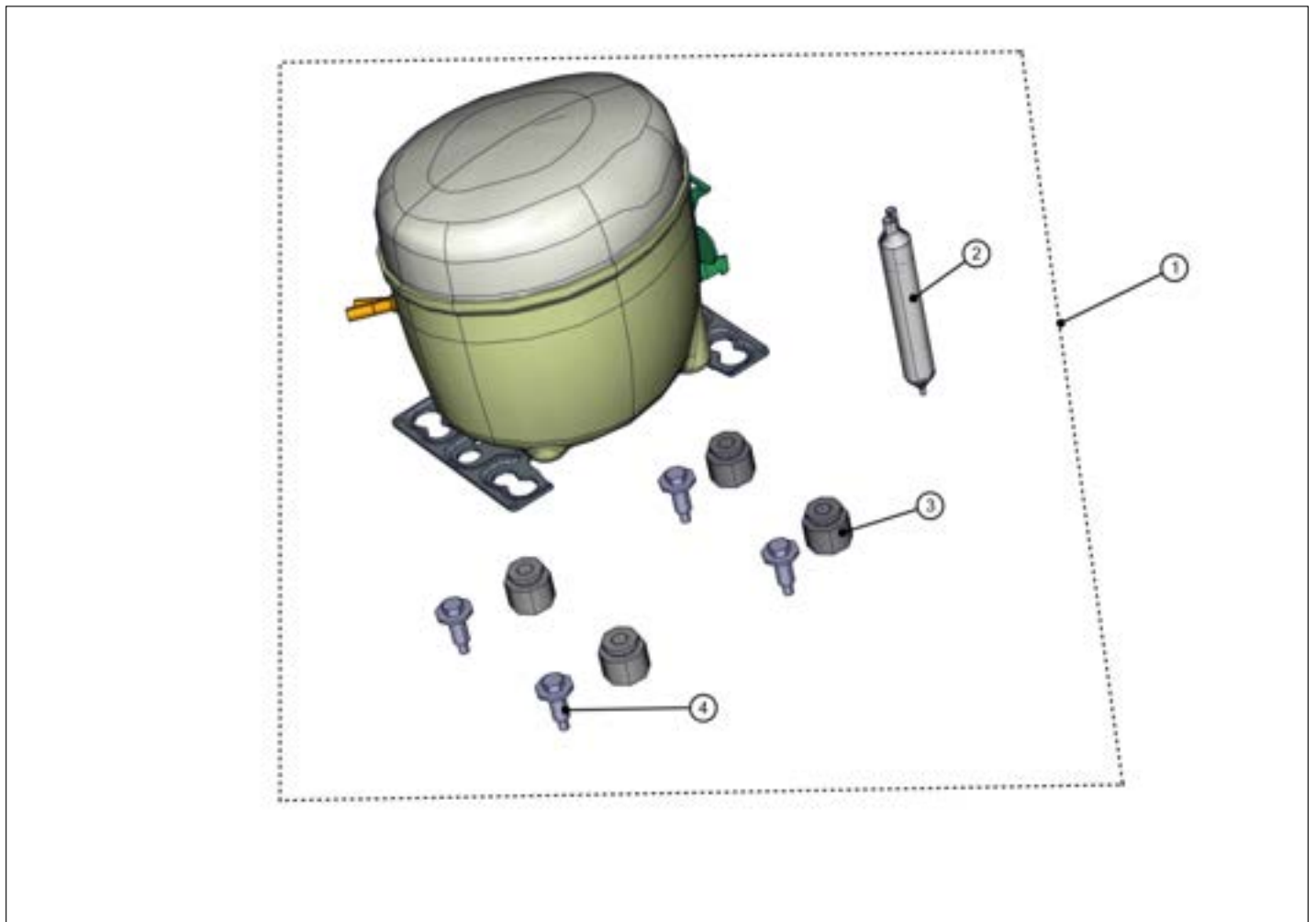
VBI7360 FF Compressor kit





Item	Part No.	Name	Qty	Uom	NOTES
1	060570-000	FF. CMPR KIT BM 7 SERIES	1	EA	
2	030926-000	DRIER - HIGH SIDE	1	EA	
3	053739-000	GROMMET, CMPR, BM 7 SERIES	4	EA	
4	M0221523	SCREW - SHLDR	4	EA	

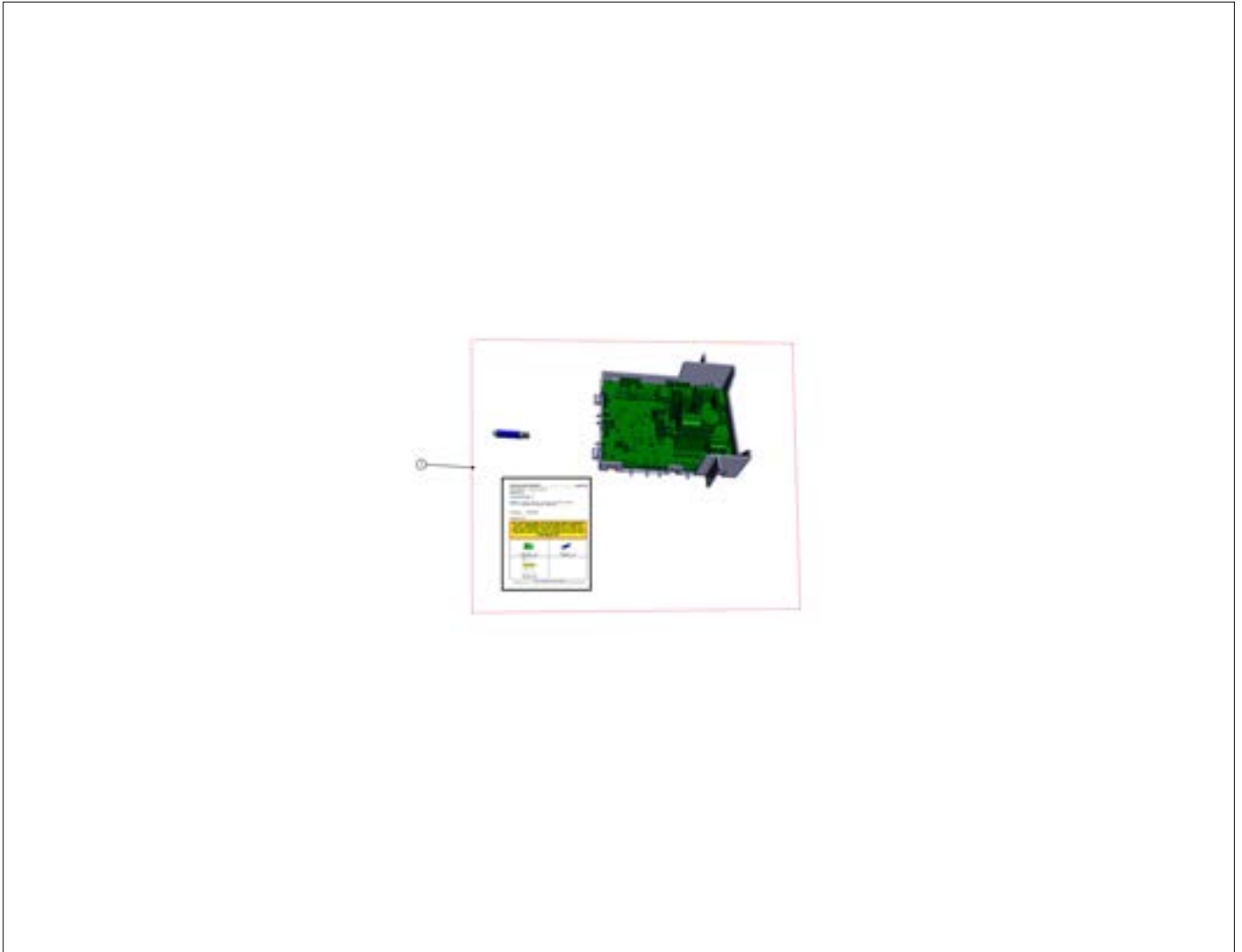
VBI7360 FZ Compressor kit





Item	Part No.	Name	Qty	Uom	NOTES
1	060571-000	FREEZER, CMPR KIT, BM 7 SERIES	1	EA	
2	030926-000	DRIER - HIGH SIDE	1	EA	
3	053739-000	GROMMET, CMPR, BM 7 SERIES	4	EA	
4	M0221523	SCREW - SHLDR	4	EA	

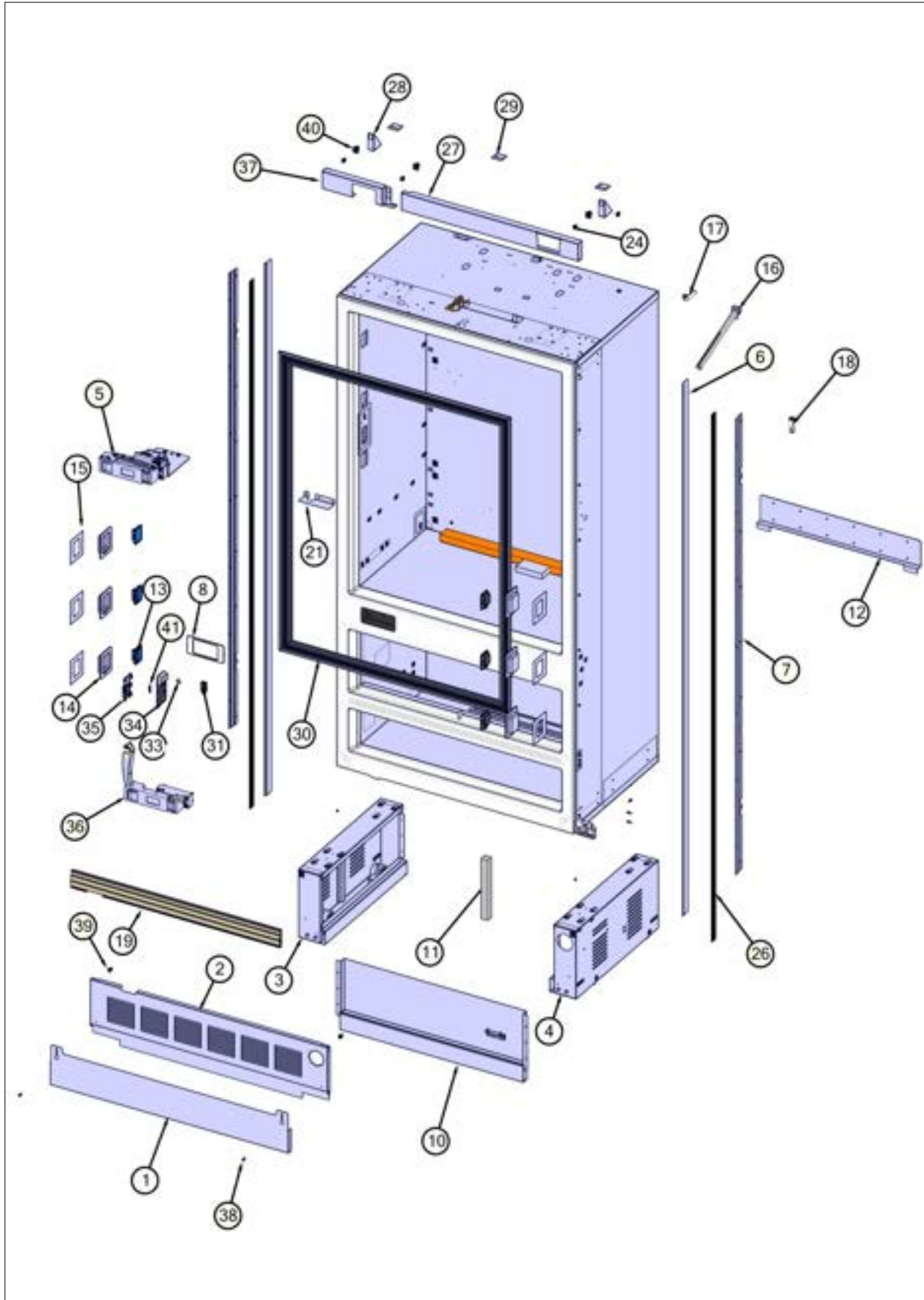
VBI7360 Main control board kit





Item	Part No.	Name	Qty	Uom	NOTES
1	064379-000	MAIN CONTROL BOARD KIT	1	EA	

LH Cabinet View



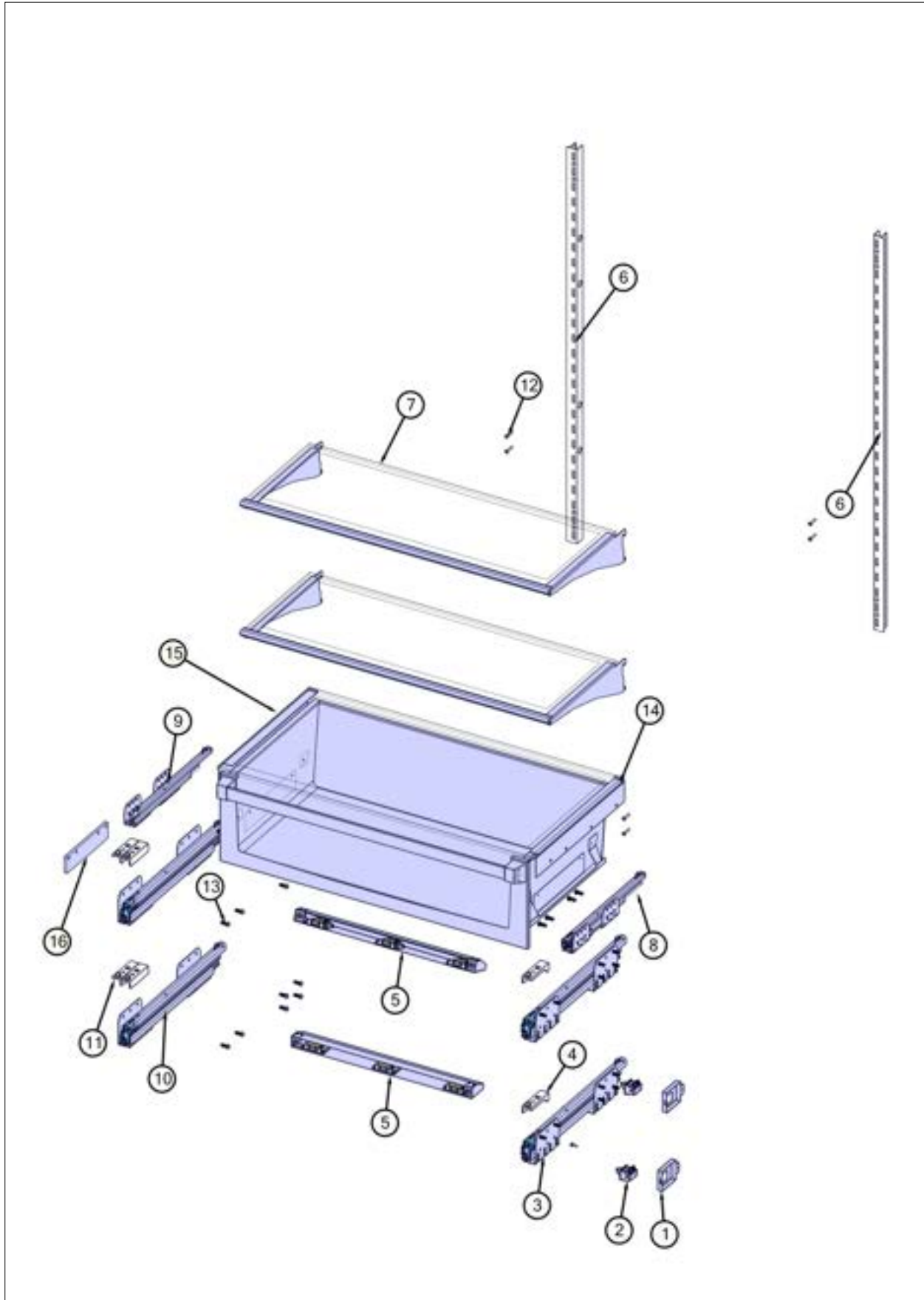


Item	Part No.	Name	Qty	Uom	NOTES
1	058316-000	KICKPLATE, BM 7 SERIES	1	EA	
2	069645-000	ACCESS PANEL, MC, BM, 7 SERIES	1	EA	
3	066705-000	HSG, L, MC, ASSY, 7 SERIES	1	EA	
4	066702-000	HSG, R, MC ASSY, 7 SERIES	1	EA	
5	062071-000	TOP HINGE, LH, ASM, BM 7 SERIES	1	EA	
NI	058225-000	FF, DOOR SWITCH, BM 7 SERIES	1	EA	
6	067217-000	TRIM, FINISH, SIDE, MAGNET	1	EA	
7	073023-000	BKT, TRIM, MAGNET, 7 SERIES	1	EA	
8	058257-000	COVER, LOWER HINGE, BM 7 SERIES	1	EA	
10	057538-000	MIDDLE HOUSING MC ASSY BM 7 SERIES	1	EA	
11	058374-000	FOAM, DIVIDER, MC, BM 7 SERIES	1	EA	
12	058534-000	BRACKET, ANTI-TIP, BM 7 SERIES	1	EA	
13	042764-000	LED LIGHT, 3-POINT	6	EA	
14	046358-000	LED CUP ASSY (3) (NON-SERVICEABLE PART)	6	EA	
15	061594-000	LED SHIM, SMALL SINGLE	6	EA	
16	061603-000	ICE MAKER FILL TUBE 7 SERIES	1	EA	
17	054790-000	DRAIN, TUBE, SUMP, FRESH FOOD, BM 7 SERIES	1	EA	
18	054910-000	STANDOFF, FRESH FOOD, FREEZER, BM 7 SERIES	1	EA	
19	052832-000	EXTRUSION, MAGNET, FZ, BTM	1	EA	
21	054622-000	BRACKET, EVAP, L, FRESH FOOD, BM 7 SERIES	1	EA	
24	PD950012	STRIKE PANEL ACCESS	4	EA	
26	068842-000	MAGNET, TRIM, 7 SERIES	1	EA	
27	062846-000	TOP TRIM, LOGO SIDE, LH 36 BM 7 SERIES	1	EA	
28	058677-000	BRACKET, SNAP FEAT, TOP TRIM, RH, BM 7 SERIES	2	EA	
29	059043-000	BRACKET, TOP, FRONT TRIM, BM 7 SERIES	3	EA	



Item	Part No.	Name	Qty	Uom	NOTES
30	065829-000	GASKET, FF DOOR, ASSY, BM 7 SERIES	1	EA	
31	055020-000	SWITCH, LEVERL SHORT	1	EA	
33	055023-000	DISPENSER, TIP, WATER	1	EA	
34	055024-000	DISPENSER, WATER	1	EA	
NI	066427-000	FASTENER, SCREW	6	EA	
35	055042-000	PLATE, SWITCH, MOUNTING	1	EA	
NI	064232-000	COVER, FOAM, WATER DISP, 7 SERIES, ASSY	1	EA	
NI	064234-000	COVER, FOAM, WATER CHILLER, 7 SERIES, ASSY	1	EA	
36	062072-000	BOTTOM, HINGE, LH, ASM, BM 7 SERIES	1	EA	
37	062845-000	TOP TRIM, HINGE, SIDE, LH 36 BM 7 SERIES	1	EA	
38	062978-000	FASTENER, SCR, 8-15 X 1/2 TORX ROUND HEAD ZPS	18	EA	
39	PD950012	STRIKE PANEL ACCESS	2	EA	
40	PD950013	LATCH PANEL ACCESS	1	EA	
41	063714-000	GROMMET, EDGING, SLOTTED, W/ADHESIVE, 1"	1	EA	

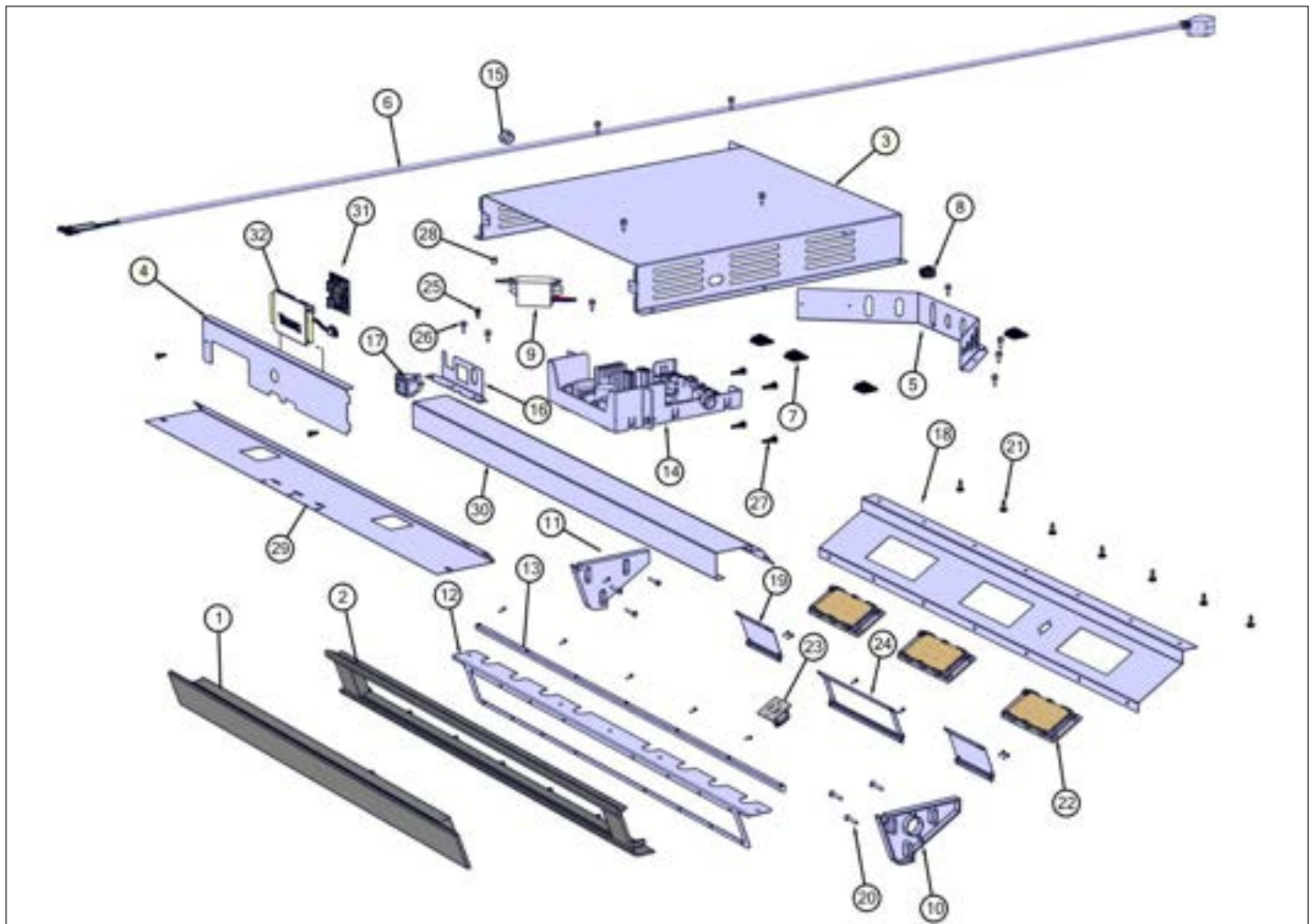
Interior Shelving View





Item	Part No.	Name	Qty	Uom	NOTES
1	053610-000	FREEZER, DWR, LIGHT, SWITCH, COVER, BM 7 SERIES	2	EA	
2	PE950121	SWITCH	2	EA	
3	053091-000	FREEZER, DWR, RIGHT, SLIDE, BM 7 SERIES	2	EA	
4	053025-000	FREEZER, DWR, FR, R, SLIDE CLIP, BM 7 SERIES	2	EA	
5	057691-000	FZR, LIGHT, ASM, TOP LED, BM 7 SERIES	2	EA	
6	071766-006	LADDER, SIDE	2	EA	
7	053440-000	SHELF, FF, ASM, BM 7 SERIES	3	EA	
8	072400-000	SLIDE DWR, FZ/RF, RH	1	EA	
9	072399-000	SLIDE DWR, FZ/RF, LH	1	EA	
10	053088-000	FREEZER, DWR, LEFT. SLIDE, BM 7 SERIES	2	EA	
11	053024-000	FREEZER, DWR, FR, L SLIDE CLIP, BM 7 SERIES	2	EA	
12	013397-000	1" PAINTED LADDER SCREW	8	EA	
13	058753-000	FASTENER, SCR, B, BTNH, SKHD, SST, 1/4-20, 5/8	24	EA	
14	069090-000	ASM, DRAWER, CRIPSER, SNAP-IN	1	EA	
15	063549-000	GLASS, CRISPER, ASM, 7 SERIES BM	1	EA	
16	063634-000	SPACER, SLIDE, CRIPSER, SIDE, HINGE	1	EA	
NI	069583-006	BRACKET, EXTENDED, SHLF, FF, HINGE, BM 7 SERIES	1	EA	
NI	069581-006	BRACKET, EXTENDED, SHLF, FF, HANDLE, BM 7 SERIES	1	EA	
NI	067494-000	SNAP, CONE, PANEL, MOUNT 7SERIES BM, 18AF	2	EA	
NI	067495-000	STANDOFF, SNAP, DRAWER 7 SERIES BM, 18AF	2	EA	

Control View

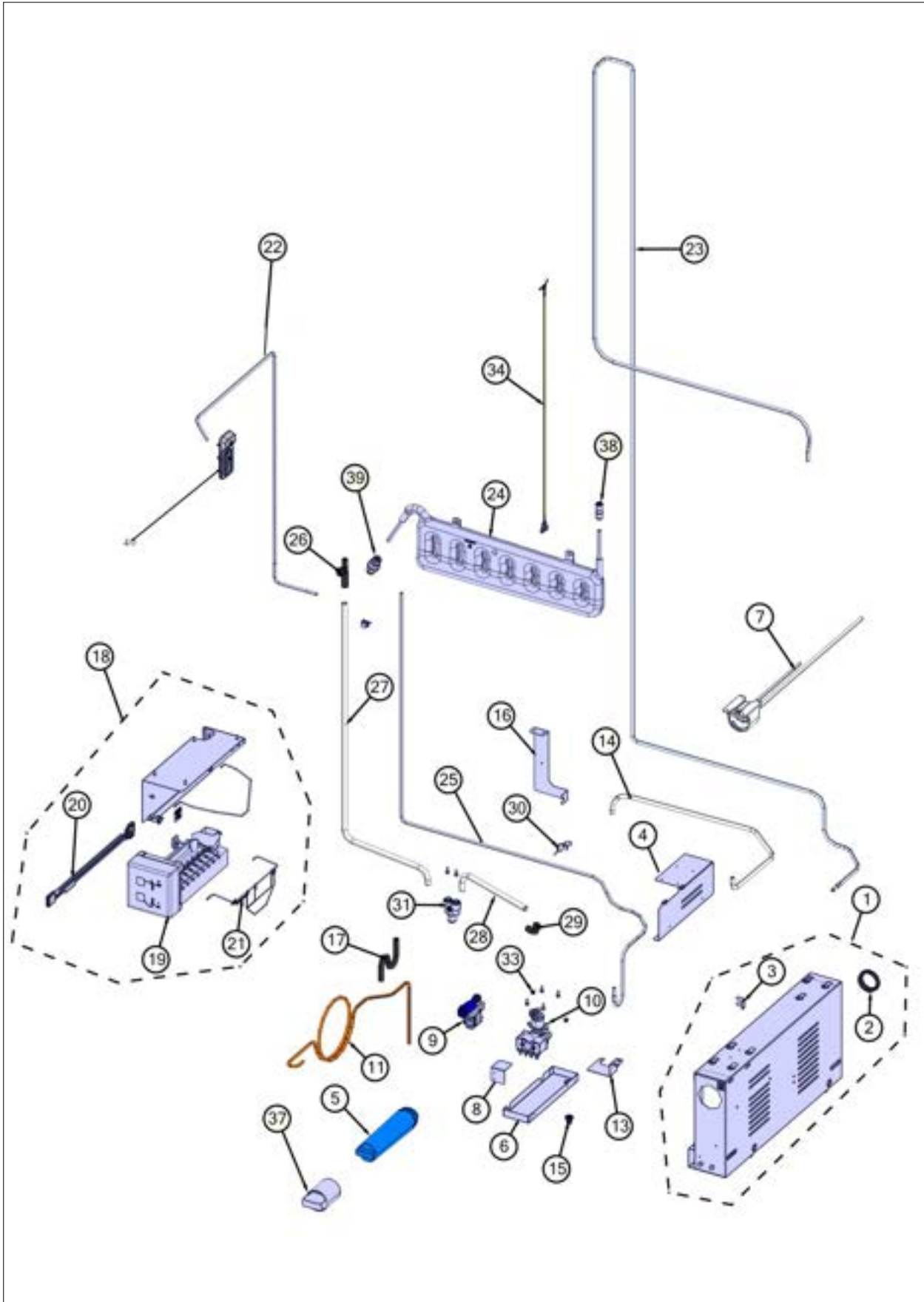


Item	Part No.	Name	Qty	Uom	NOTES
1	053940-518	UI MAIN CONTROL BOARD ASSY	1	EA	
2	054084-000	HOUSING, MOD1, UPPER, UI, 36, BM 7 SERIES	1	EA	
3	067654-000	COVER, TOP, BM, 7 SERIES INTL	1	EA	
4	063610-000	COVER, FR, CTRL BD, RH, COLUMN 7 SERIES	1	EA	
5	058545-000	BRACKET, PANEL, MOUNT, CONNECTORS, BM 7 SERIES	1	EA	
6	059105-000	CORD, PWR, BM, LEAD TERMINALS	1	EA	
7	m0104106	CLIP-CORD VM0104106	4	EA	
8	003104-000	BUSHING,STRN,RLF	1	EA	
9	059022-000	BALLAST, BLUEZONE, LAMP	1	EA	
10	053541-000	ENDCAP, HOUSING, TOP UI, RIGHT	1	EA	
11	053520-000	ENDCAP, HOUSING, TOP UI, LEFT	1	EA	
12	058529-000	BRACKET, SPRT, UI	1	EA	
13	053521-000	GASKET, HOUSING, UI	1	EA	
14	064379-000	MAIN CONTROL BOARD KIT	1	EA	
15	A4554806	BUSHING-SNAP VA4554806	2	EA	
16	063683-000	BRKT, ON/OFF SW, COLUMN 7 SERIES	1	EA	
17	PE950149	SWITCH POWER	1	EA	
18	054083-000	BACK PANEL, UI, UPPER, BM 7 SERIES	1	EA	
19	054085-000	BRKT, MOUNT, UPPER UI 7 SERIES 36	2	EA	
20	013397-000	1" PAINTED LADDER SCREW	6	EA	
21	M0210458	SCR 8-18 X 5/8 WAFER PH SMS	7	EA	
22	042766-000	LED LIGHT, 8-POINT	3	EA	
23	059487-000	USB, PCB, GND, REF 7 SERIES	1	EA	
24	054086-000	BRKT, CNTR, UPPER UI, 7 SERIES 36	1	EA	
25	PD020010	10 X 3/8 GREEN GROUNDING SCREW	1	EA	
26	PD020194	SCR, HEX SRTD WSHR HD, #8-18 X 1/2	16	EA	



Item	Part No.	Name	Qty	Uom	NOTES
27	007301-000	GROMMET,RUBBER	4	EA	
28	M0238859	SCREW-SHLDR	1	EA	
29	053564-000	BRACKET, LIGHT, REAR, CRISPER, BM 7 SERIES	1	EA	
30	053549-000	PANEL, CONTROL, LOWER, BM 7 SERIES	1	EA	
31	063269-501	MODULE, NIC, V01 (SEE 063269-FAM)	1	EA	
32	070306-603	LIGHT, LOGO, ASM, 7 SERIES- WHITE W/HARNESS	1	EA	

Water System View



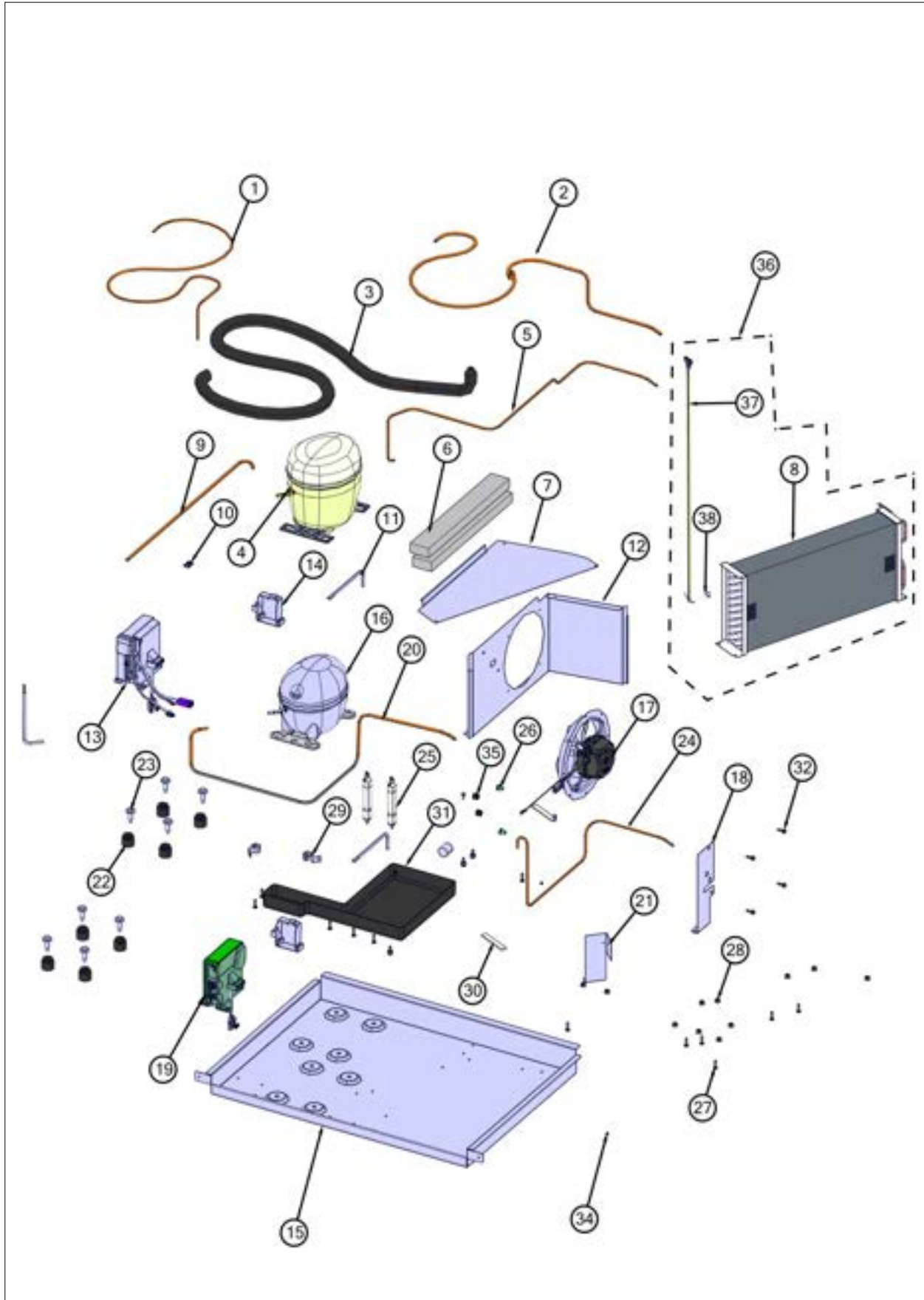


Item	Part No.	Name	Qty	Uom	NOTES
1	066702-000	HSG, R, MC ASSY, 7 SERIES	1	EA	
2	059927-000	SWEEP, WATER INLINE, BM 7 SERIES	1	EA	
3	059963-000	BRACKET, WATER FILTER, DRAIN, BM 7 SERIES	1	EA	
4	069644-000	FILTER, WATER, BRACKET, SUPPORT, 7 SERIES	1	EA	
5	057498-000	FILTER, CARTRIDGE, WATER, BM 7 SERIES	1	EA	
6	058487-000	WATER, FILTER, PAN, BM 7 SERIES	1	EA	
7	058451-000	MANIFOLD, WATER FILTER	1	EA	
8	062810-000	BRACKET, MTG, WATER VALVES, BM 7 SERIES	1	EA	
9	PA070016	VALVE WATER SINGLE DISP, FAMILY	1	EA	
10	061620-601	DUAL VALVE, WATER, 7 SERIES, ASM 120V	1	EA	
11	061400-000	WATER LINE, INLET, 7 SERIES	1	EA	
13	061626-000	BRACKET, DUAL VALVE, WATER FILTER, 7 SERIES	1	EA	
14	054851-000	DRAIN, TUBE, WATER FILTER, PAN, BM 7 SERIES	1	EA	
15	055046-000	VENT, DR, WATER FILTER, PAN, BM 7 SERIES	1	EA	
16	058879-000	BRACKET, WYE, CONNECTOR, BM 7 SERIES	1	EA	
17	054974-000	P-TRAP, DRAIN, TUBE, BM 7 SERIES	1	EA	
18	060217-000	ICE MAKER ASM, 7 SERIES (INT'L)	1	EA	
19	057731-000	ICEMAKER 7SERIES BM, 5 SERIES	1	EA	
20	023112-000	HARNESS,ICE MAKER	1	EA	
21	061597-000	ICE MAKER BAIL ARM, ASM	1	EA	
22	058375-000	WATERLINE, WATER RESERVOIR, DISPENSER, BM 7 SERIES ASSY	1	EA	
23	058385-000	WATERLINE, VLV, WATER RESERVOIR, BM 7 SERIES ASSY	1	EA	
24	054703-000	WATER, CHILLER, BM 7 SERIES	1	EA	



Item	Part No.	Name	Qty	Uom	NOTES
25	058384-000	WATERLINE, VLV, ICE MAKER, BM 7 SERIES ASSY	1	EA	
26	054848-000	VENT, DR, FRESH FOOD, BM 7 SERIES	1	EA	
27	054801-000	DRAIN, TUBE, FRESH FOOD, BM 7 SERIES	1	EA	
28	054931-000	DRAIN, TUBE, FREEZER, BM 7 SERIES	1	EA	
29	058086-000	ELBOW, DR, FREEZER, BM 7 SERIES	1	EA	
30	063650-000	CLAMP, DRAIN, FF, 7 SERIES BM	2	EA	
31	055101-000	WYE, CONNECTOR, P TRAP, DRAIN, BM 7 SERIES	1	EA	
33	057883-000	FLANGE, NUT, WATER FILTER, BM 7 SERIES	2	EA	
34	076579-000	THERMISTOR, MITSUBISHI, PROBE STYLE 7 SERIES	1	EA	
37	064978-000	TOOL, WATER FILTER, 7 SERIES	1	EA	
38	055344-000	FITTING, TUBE, PUSH, 5/16 (PM0108S), BM 7 SERIES	1	EA	
39	067388-601	CV, TUBE UN, INL 5/16, OUT 1/4, 7 SERIES	1	EA	
40	055017-000	DISPENSER, WATER, INTERNAL, ASSY	1	EA	

BOTTOM VIEW



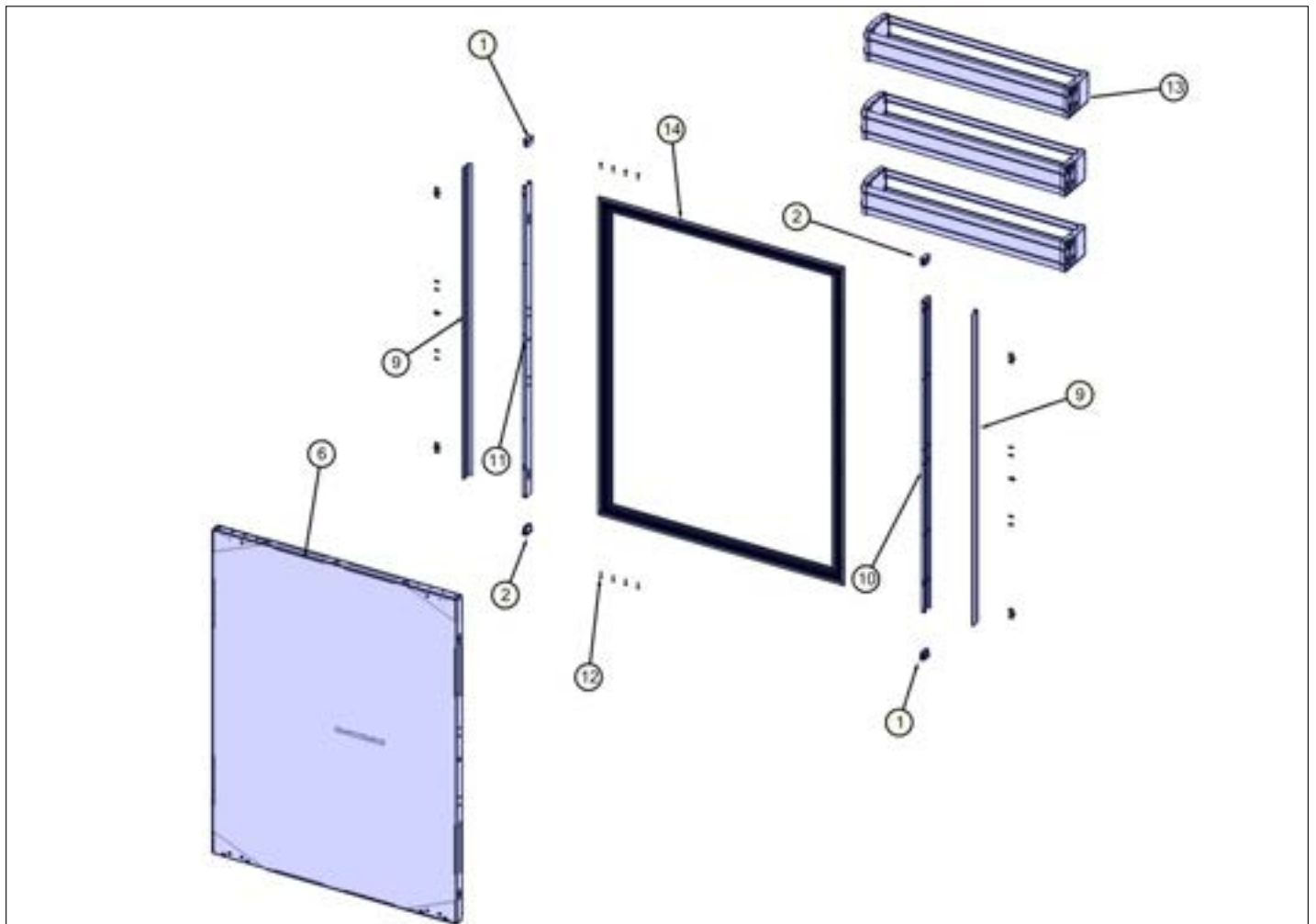


Item	Part No.	Name	Qty	Uom	NOTES
1	054022-000	TUBING, DRR, HEATER LOOP, BM 7 SERIES	1	EA	
2	053987-000	TUBING, CNDR, HEATER LOOP, BM 7 SERIES	1	EA	
3	057059-000	FZ, HEAT EXCHANGER, TUBING, ASSY	1	EA	
4	054295-000	CMPR, FZ, BM 7 SERIES	1	EA	
5	053929-000	COMPRESSOR, CNDR, TUBING, FRESH FOOD, BM 7 SERIES	1	EA	
6	060892-000	CONDENSER, FOAM BAFFLE, MC, BM 7 SERIES	2	EA	
7	053885-000	COVER, CNDR, BM 7 SERIES	1	EA	
8	N/A	DUAL CIRCUIT CONDENSER, BM 7 SERIES	1	EA	
Not Shown	NOTE	(MUST ORDER ITEM 36)		EA	
9	054030-000	FILLING, TUBE, FREEZER, COMPRESSOR, BM 7 SERIES	1	EA	
10	059922-000	SNAP-IN, PLASTIC, CLAMP	1	EA	
11	f2097740	TUBE PROCESS	3	EA	
12	053834-000	SUPPORT, FAN, CONDENSER, BM 7 SERIES	1	EA	
13	054917-000	INVERTER, CMPR, FREEZER, BM 7 SERIES	1	EA	
14	060129-000	COMPRESSOR, CVR, 7 SERIES	2	EA	
15	053062-000	TRAY, MC, BM 7 SERIES	1	EA	
16	054296-000	CMPR, FF, BM 7 SERIES	1	EA	
17	054048-000	CONDENSER, FAN, ASM, BM 7 SERIES	1	EA	
NI	069834-000	GUARD, FAN, CONDENSER, 7 SERIES BM	1	EA	
18	058217-000	CNDSR, TUBING, HOLDER, BM 7 SERIES	1	EA	
19	054600-000	INVERTER, CMPR, FRESH FOOD, BM 7 SERIES	1	EA	
20	053930-000	COMPRESSOR, CNDR, TUBING, FREEZER, BM 7 SERIES	1	EA	
21	053996-000	DRIER, BRKT, BM 7 SERIES	1	EA	
22	053739-000	GROMMET, CMPR, BM 7 SERIES	8	EA	



Item	Part No.	Name	Qty	Uom	NOTES
23	M0221523	SCREW - SHLDR	8	EA	
24	054026-000	DRIER, CNDR, TUBING, BM 7 SERIES	1	EA	
25	030926-000	DRIER - HIGH SIDE	2	EA	
26	12059801	GROMMET-COND LOOP	2	EA	
27	055051-000	STUD, #10-32, 5/8, MC, MOBILITY, TRAY, BM 7 SERIES	14	EA	
28	055054-000	STUD, NUT, #10-32, MC, BM 7 SERIES	14	EA	
29	10547001	CLIP-DRIER V10547001	2	EA	
30	061548-000	GASKET, FOAM, CONDENSER, BM 7 SERIES	2	EA	
31	053911-000	PAN, MC, DRAIN, BM 7 SERIES	1	EA	
32	023005-000	NO.10-32 X 1/2 HEX HEAD MACHINE SCREW	4	EA	
34	058452-000	FASTENER, KEYHOLE, SHEET JOINING, .273 X .147	2	EA	
35	058398-000	LOCKING GROMMET, WATERLINE, CABINET, BM 7 SERIES	2	EA	
36	066365-000	DUAL CIRCUIT CONDENSER, BM 7 SERIES	1	EA	
37	058535-000	EVAP, THERMISTOR, 7 SERIES	1	EA	
<p>Comments for Part Num. 058535-000</p> <p>gboltz@VikingRange.com on Jun 10, 2019</p> <p>Order 066362-000 foil tape with thermistor for isolating dis-similar metals.</p>					
38	066362-000	TAPE, FOIL, COPPER, SHIELDING, 3M, 1182 .500 x 0.7	1	EA	
NI	058232-000	BOTTOM, HINGE, THREADED, STUD, BM 7 SERIES	1	EA	

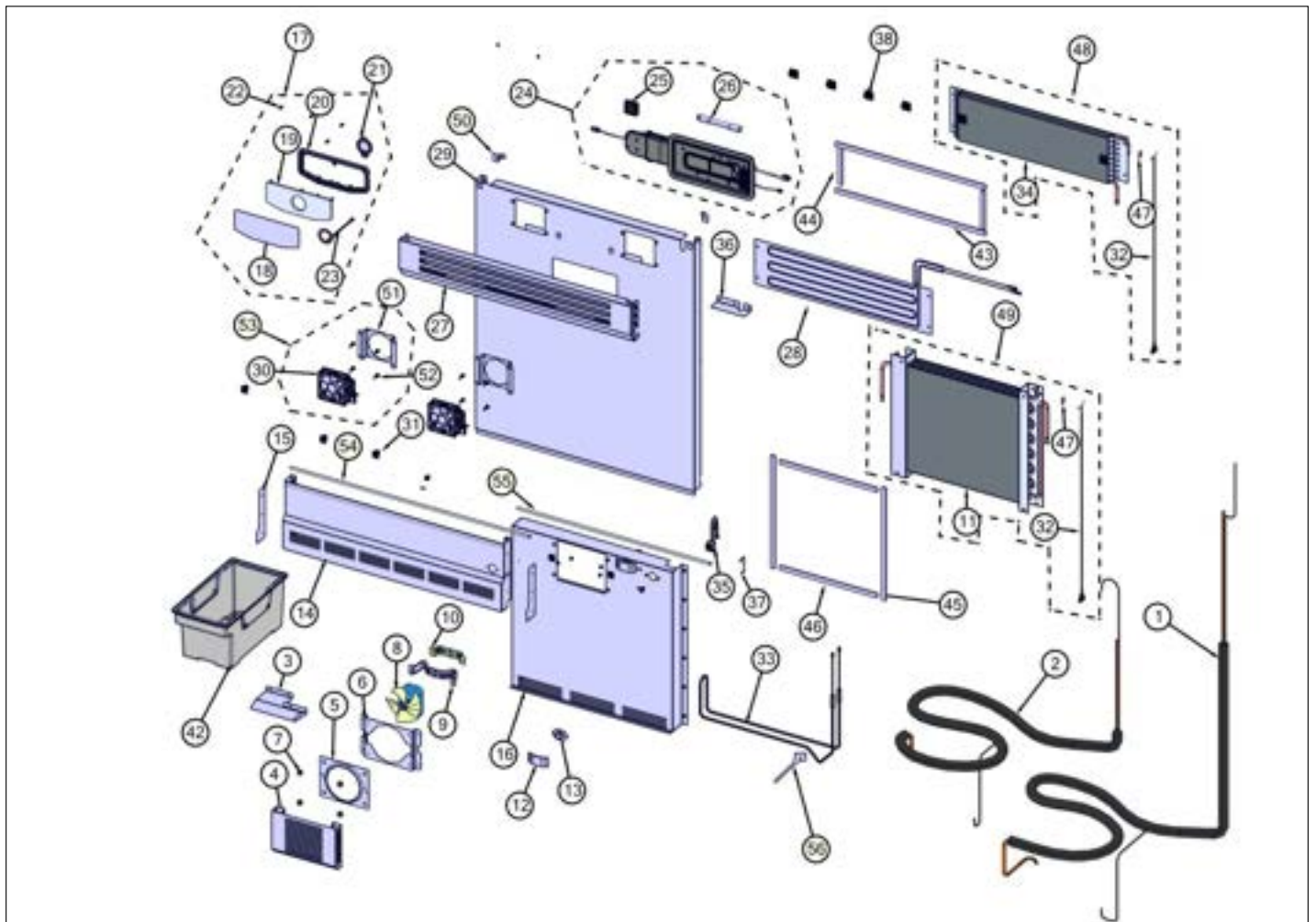
FF Door View





Item	Part No.	Name	Qty	Uom	NOTES
1	062095-000	CAP, END, DOOR TRIM	2	EA	
2	062115-000	CAP, END, DOOR TRIM, RH	2	EA	
6	062086-000	FF. DOOR, LH, FOAMED, ASM, BM 7 SERIES	1	EA	
9	054623-000	COVER, CHNL, TRIM, SIDES, FF, DOOR, BM 7 SERIES	2	EA	
10	054624-000	TRIM, EXTRUSION, R, FF, DOOR	1	EA	
11	055978-000	TRIM, EXTR, L, FF, DOOR, BM 7 SERIES	1	EA	
12	PD920174	10X7/8 PHILLIPS SMA TRI LOBE SA	8	EA	
13	056129-000	DOOR, BIN, ASSEMBLY, BM 7 SERIES	3	EA	
14	065829-000	GASKET, FF DOOR, ASSY, BM 7 SERIES	1	EA	
NI	058854-000	WASHER, DOORS, CHANNELS, BM 7 SERIES	16	EA	
NI	PD020194	SCR, HEX SRTD WSHR HD, #8- 18 X 1/2	16	EA	

Interior View



Item	Part No.	Name	Qty	Uom	NOTES
1	057058-000	FF, HEAT EXCHANGER, TUBING, ASSY	1	EA	
2	057059-000	FZ, HEAT EXCHANGER, TUBING, ASSY	1	EA	
3	060814-000	ICEMAKER, DEFLECTOR, 36 BM 7 SERIES	1	EA	
4	057349-000	DUCT, FRZ, FAN, BM 7 SERIES	1	EA	
5	053821-000	FREEZER, FAN, FR, PLATE, BM 7 SERIES	1	EA	
6	053820-000	FREEZER, FAN, BOX, BM 7 SERIES	1	EA	
7	12234001	GROMMET-VIBRATION	4	EA	
8	053827-000	FREEZER, EVAPORATOR, FAN, ASM, BM 7 SERIES	1	EA	
9	PM010605	BRACKET MTR/SHROUD	1	EA	
10	L2198650	BRACKET FAN EVAP VEN	1	EA	
11	072968-000	EVAP, FREEZER 736 BM, ECOAT	1	EA	
Not Shown	NOTE	(MUST ORDER ITEM 49)		EA	
12	050844-000	COVER, THERMISTOR, FF	1	EA	
13	C8983701	THERMISTOR	1	EA	
14	057907-000	CRISPER, FAN, EVAP, COVER, BM 7 SERIES	1	EA	
15	057908-000	CRISPER, FAN, BOTTOM, GRILL, COVER, BM 7 SERIES	2	EA	
16	052974-000	FREEZER, EVAP, COVER BM 7 SERIES	1	EA	
17	057606-000	BLUEZONE, FILTER, ASM, BM 7 SERIES	1	EA	
18	057608-000	BLUE ZONE COVER	1	EA	
19	058426-000	BLUE ZONE, LIGHT, DIFFUSER, BM 7 SERIES	1	EA	
20	057607-000	BEZEL, BLUEZONE, FRONT, BM 7 SERIES	1	EA	
21	060221-000	BLUEZONE, LED SUPPORT & TAPE, ASM, 7 SERIES	1	EA	
22	058475-000	BLUE ZONE, DISC, MAGNET, BM 7 SERIES	5	EA	
23	049983-000	PLASMACLUSTER, LED	1	EA	
24	058406-000	MODULE, BLUEZONE, ASM	1	EA	

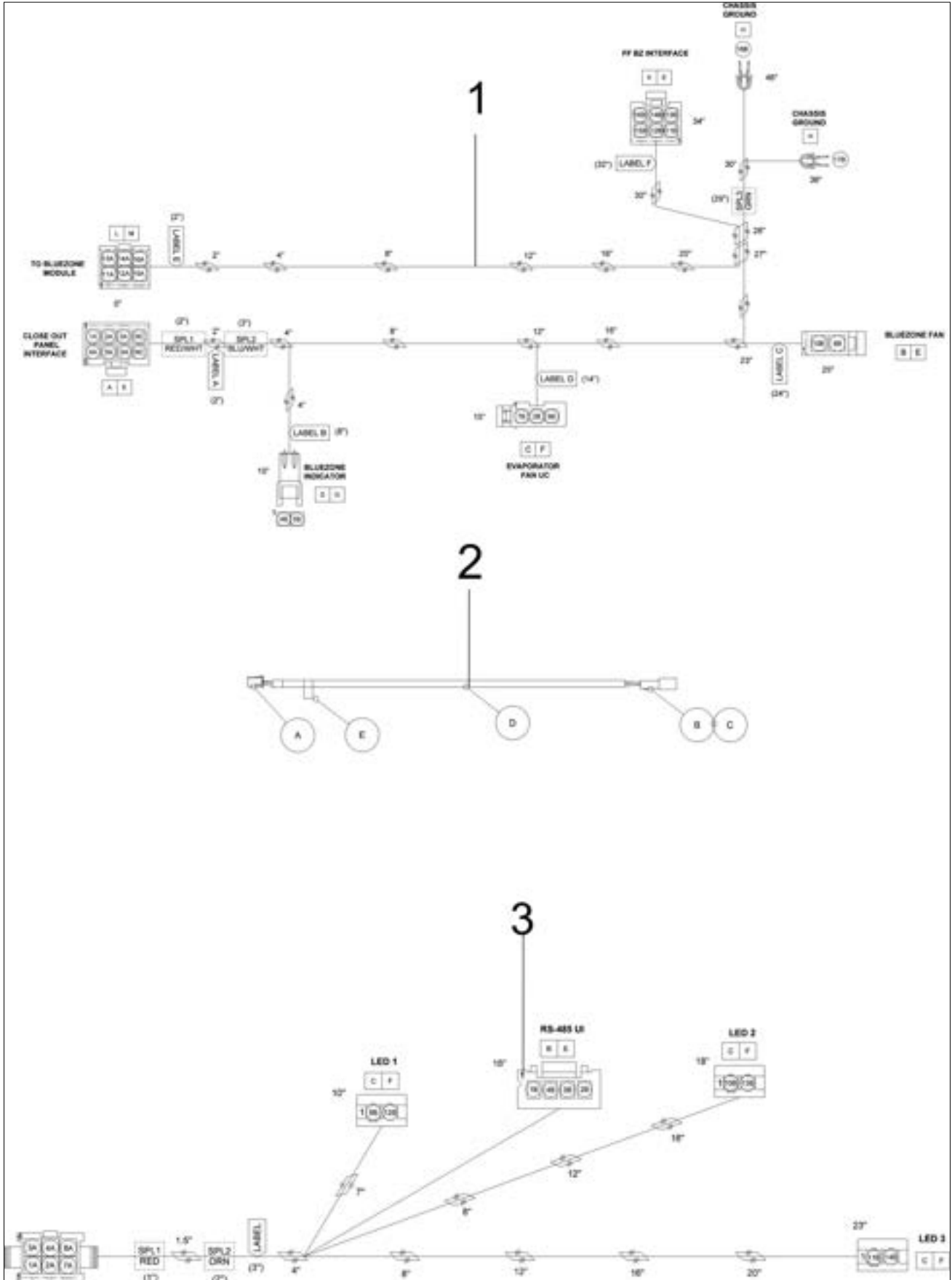


Item	Part No.	Name	Qty	Uom	NOTES
25	054625-000	FAN, CSPR, DRAWER, BM 7 SERIES	1	EA	
26	RBZB7	Bluezone Bulb Phase 1 Bottom mount	1	EA	
27	058082-000	FAN COVER, FF, ASM, BM 7 SERIES	1	EA	
28	055471-000	HEATER, EVAP, FF, BM 7 SERIES	1	EA	
29	048103-000	COVER, EVAP, FF, BM 7 SERIES	1	EA	
30	054688-000	FAN, 12V, 3.62" X 1.0", 4.5W	2	EA	
31	PD950013	LATCH PANEL ACCESS	4	EA	
32	058535-000	EVAP, THERMISTOR, 7 SERIES	2	EA	
<p>Comments for Part Num. 058535-000</p> <p>gboltz@VikingRange.com on Jun 10, 2019</p> <p>Order 066362-000 foil tape with thermistor for isolating dis-similar metals.</p>					
Not Shown	NOTE	(MUST ORDER ASSEMBLY)		EA	
33	054404-000	FREEZER, DFR, HEATER, BM 7 SERIES	1	EA	
34	072549-000	EVAP, FF, 736 BM ECOAT	1	EA	
Not Shown	NOTE	(MUST ORDER ITEM 48)		EA	
35	059650-000	THERMOSTAT, SNAP ACTION, 75 OPEN, 45 CLOSE	1	EA	
36	054620-000	BRACKET, EVAP, RIGHT, FRESH FOOD, BM 7 SERIES	1	EA	
37	060302-000	CLIP, DFR, HEATER, 7 SERIES	1	EA	
38	M0104106	CLIP-CORD VM0104106	4	EA	
42	058532-000	ICE BIN, ASSY, BM 7 SERIES	1	EA	
43	063544-000	GASKET, FOAM, 0.25" X 0.50" X 20"	2	EA	
44	063545-000	GASKET, FOAM, 0.25" X 0.50" X 5"	2	EA	
45	063546-000	GASKET, FOAM, 0.25" X 0.50" X 15"	2	EA	
46	063547-000	GASKET, FOAM, 0.25" X 0.50" X 13"	2	EA	



Item	Part No.	Name	Qty	Uom	NOTES
47	066362-000	TAPE, FOIL, COPPER, SHIELDING, 3M, 1182 .500 x 0.7	2	EA	
48	075914-000	7 SEIRES BM FF EVAPORATOR KIT	1	EA	
49	066364-000	EVAPORATOR, THERMISTOR, FZ, 36 BM, 7 SERIES, ASSY	1	EA	
50	064849-000	BRKT, RETAINING, COVER, EVAP, BM, 7 SERIES	2	EA	
51	057813-000	FRESH FOOD, FAN, BOX, BM 7 SERIES	2	EA	
52	007301-000	GROMMET,RUBBER	8	EA	
53	064427-000	FAN, FF, EVAP, ASSY, BM, 7 SERIES	2	EA	
54	063727-000	GASKET, EXTRUDE, WHITE, 31.838	1	EA	
55	064080-000	GASKET, EXTRUDE, WHITE, 25.700	1	EA	
56	068565-000	EXTENSION, DFR, HEATER, BM 7 SERIES	1	EA	
57	066129-000	STDF, FF, FZ, BM 7 SERIES	1	EA	

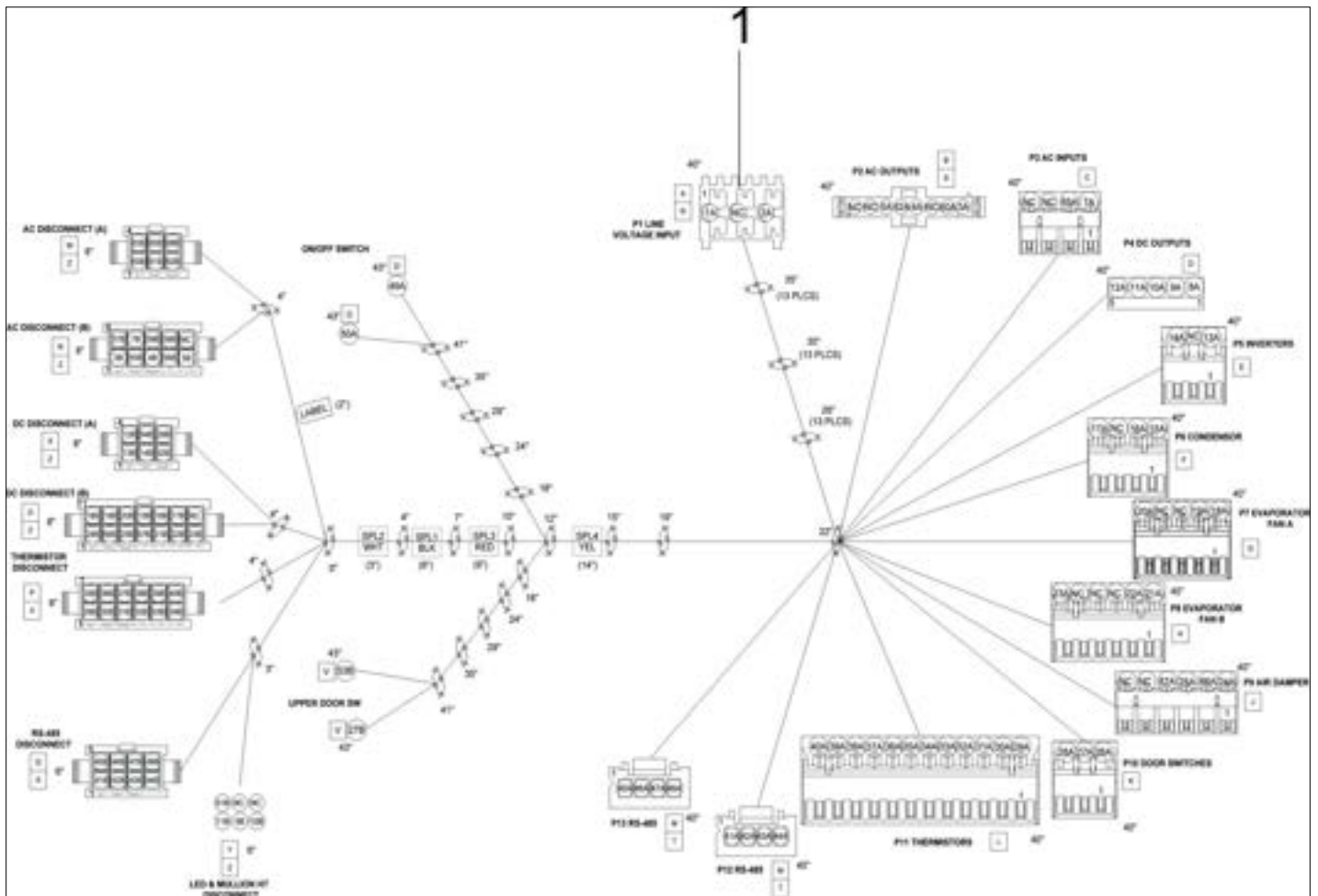
WIRING VIEW





Item	Part No.	Name	Qty	Uom	NOTES
1	062883-000	HARN, FF, PANEL CLOSEOUT	1	EA	
2	055314-000	HARNESS, USB JUMPER	1	EA	
3	050052-000	HARN, BM, UI CONTROL	1	EA	
NI	063639-000	HARN, BM, MC FIXED	1	EA	
NI	062782-000	HARN, BM, CONTROL TO MC	1	EA	
NI	062785-000	HARN, BM, FRESH FOOD, DC	1	EA	
NI	058907-000	HARN, BM, FREEZER LED	2	EA	
NI	062786-000	HARN, VALVES, 7 SERIES	1	EA	
NI	050048-000	HARNESS, BM, FRESH FOOD, AC	1	EA	
NI	050046-000	HARNESS, BM, FREEZER, AC	1	EA	
NI	050047-000	HARNESS, BM, FREEZER, DC	1	EA	

WIRING VIEW 2





Item	Part No.	Name	Qty	Uom	NOTES
1	062784-000	HARNESS, BM, CONTROL	1	EA	



Appendix A:Pages Index

BOTTOM VIEW 9
Control View 7
FF Door View 10
FZ Drawers View 1
Interior Shelving View 6
Interior View 11
LH Cabinet View 5
VBI7360 FF Compressor kit 2
VBI7360 FZ Compressor kit 3
VBI7360 Main control board kit 4
WIRING VIEW 12
WIRING VIEW 2 13
Water System View 8



Appendix B:Parts Index

003104-000	7	053827-000	11
007301-000	7, 11	053834-000	9
013397-000	6, 7	053885-000	9
023005-000	9	053911-000	9
023112-000	8	053929-000	9
030926-000	2, 3, 9	053930-000	9
042764-000	5	053940-518	7
042766-000	7	053987-000	9
046358-000	5	053996-000	9
048103-000	11	054022-000	9
049983-000	11	054026-000	9
050046-000	12	054030-000	9
050047-000	12	054048-000	9
050048-000	12	054083-000	7
050052-000	12	054084-000	7
050844-000	11	054085-000	7
052832-000	5	054086-000	7
052974-000	11	054295-000	9
053024-000	6	054296-000	9
053025-000	6	054404-000	11
053062-000	9	054600-000	9
053088-000	6	054620-000	11
053091-000	6	054622-000	5
053253-000	1	054623-000	10
053254-000	1	054624-000	10
053262-000	1	054625-000	11
053263-000	1	054688-000	11
053440-000	6	054703-000	8
053520-000	7	054790-000	5
053521-000	7	054801-000	8
053541-000	7	054819-000	1
053549-000	7	054822-000	1
053564-000	7	054833-000	1
053603-000	1	054837-000	1
053606-000	1	054848-000	8
053607-000	1	054851-000	8
053610-000	6	054852-000	1
053739-000	2, 3, 9	054853-000	1
053820-000	11	054856-000	1
053821-000	11	054862-000	1
		054865-000	1



054868-000	1	058316-000	5
054910-000	5	058374-000	5
054917-000	9	058375-000	8
054931-000	8	058384-000	8
054974-000	8	058385-000	8
055017-000	8	058398-000	9
055020-000	5	058406-000	11
055023-000	5	058426-000	11
055024-000	5	058451-000	8
055042-000	5	058452-000	9
055046-000	8	058475-000	11
055051-000	9	058487-000	8
055054-000	9	058529-000	7
055101-000	8	058532-000	1, 11
055314-000	12	058534-000	5
055344-000	8	058535-000	9, 11
055471-000	11	058545-000	7
055978-000	10	058677-000	5
056129-000	10	058753-000	6
057058-000	11	058854-000	1, 10
057059-000	9, 11	058879-000	8
057349-000	11	058907-000	12
057498-000	8	059022-000	7
057538-000	5	059043-000	5
057601-000	1	059105-000	7
057602-000	1	059487-000	7
057606-000	11	059650-000	11
057607-000	11	059922-000	9
057608-000	11	059927-000	8
057691-000	6	059963-000	8
057731-000	8	060129-000	9
057813-000	11	060217-000	8
057883-000	8	060221-000	11
057907-000	11	060302-000	11
057908-000	11	060570-000	2
058082-000	11	060571-000	3
058086-000	8	060814-000	11
058217-000	9	060892-000	9
058225-000	5	061400-000	8
058232-000	9	061548-000	9
058257-000	5	061594-000	5



061597-000	8	066129-000	11
061603-000	5	066362-000	9, 11
061620-601	8	066364-000	11
061626-000	8	066365-000	9
062071-000	5	066427-000	5
062072-000	5	066702-000	5, 8
062086-000	10	066705-000	5
062095-000	10	067217-000	5
062115-000	10	067388-601	8
062782-000	12	067494-000	6
062784-000	13	067495-000	6
062785-000	12	067654-000	7
062786-000	12	068565-000	11
062810-000	8	068842-000	5
062845-000	5	069090-000	6
062846-000	5	069581-006	6
062883-000	12	069583-006	6
062978-000	1, 5	069644-000	8
063269-501	7	069645-000	5
063544-000	11	069834-000	9
063545-000	11	070306-603	7
063546-000	11	071766-006	6
063547-000	11	072399-000	6
063549-000	6	072400-000	6
063610-000	7	072549-000	11
063634-000	6	072968-000	11
063639-000	12	073023-000	5
063650-000	8	074557-006	1
063683-000	7	074578-006	1
063714-000	5	075914-000	11
063727-000	11	076579-000	8
064080-000	11	10547001	9
064232-000	5	12059801	9
064234-000	5	12234001	11
064379-000	4, 7	A4554806	7
064427-000	11	C8983701	11
064849-000	11	L2198650	11
064978-000	8	M0104106	11
065829-000	5, 10	M0210458	7
065830-000	1	M0221523	2, 3, 9
065832-000	1	M0238859	7



PA070016 8
PD020010 7
PD020194 1, 7, 10
PD920174 10
PD950012 5, 5
PD950013 5, 11
PE950121 6
PE950149 7
PM010605 11
RBZB7 11
f2097740 9
m0104106 7