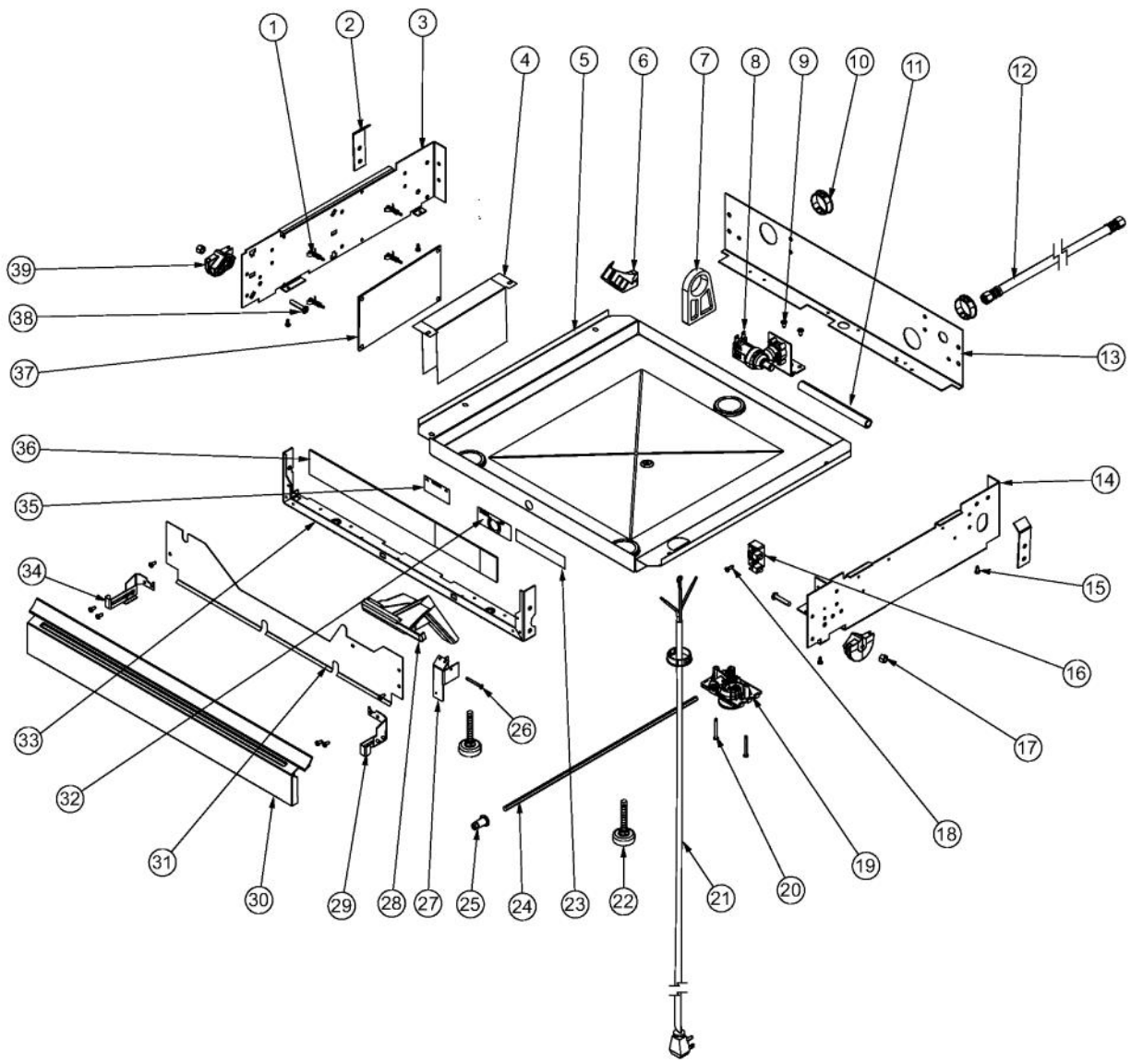
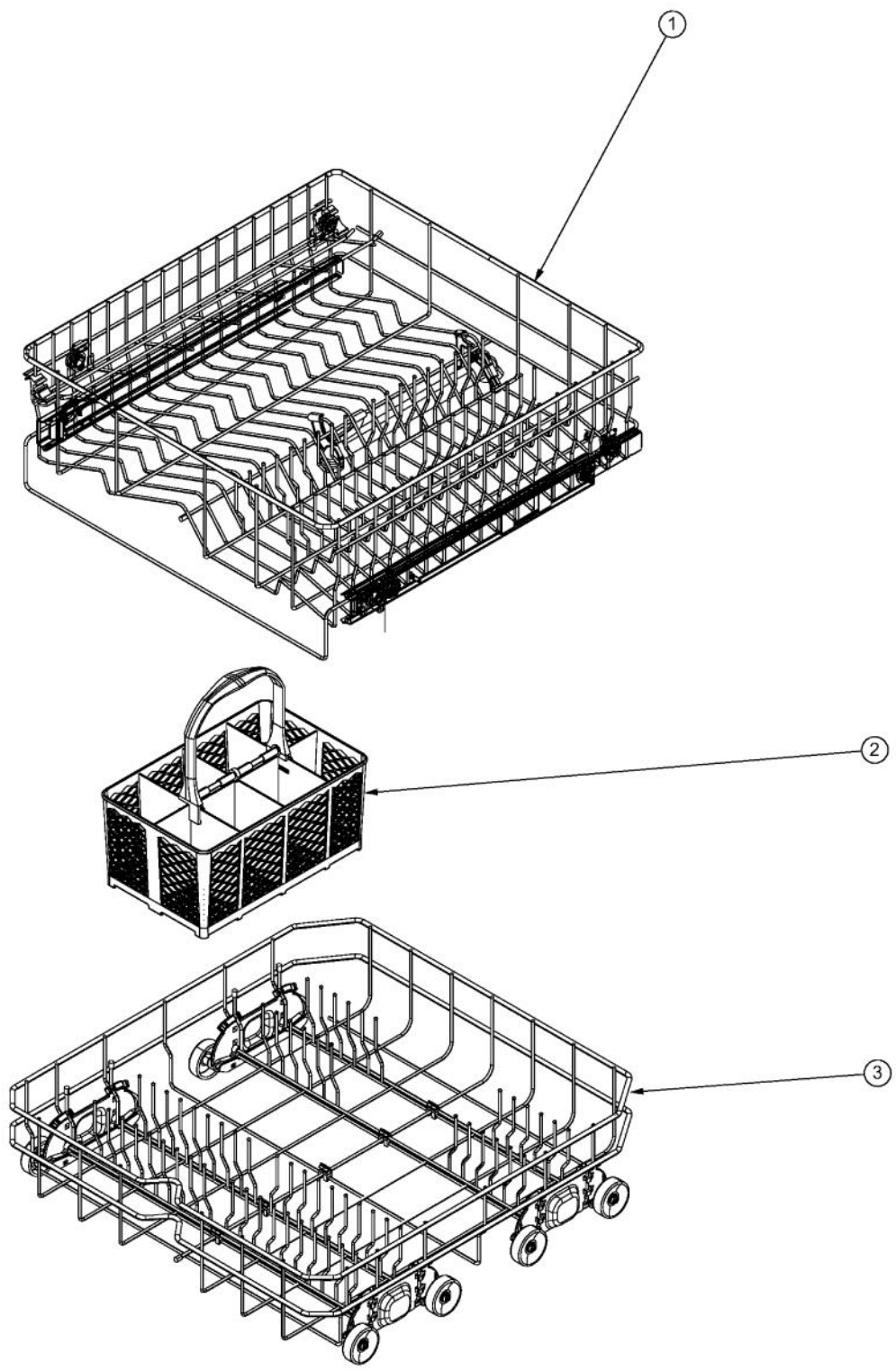


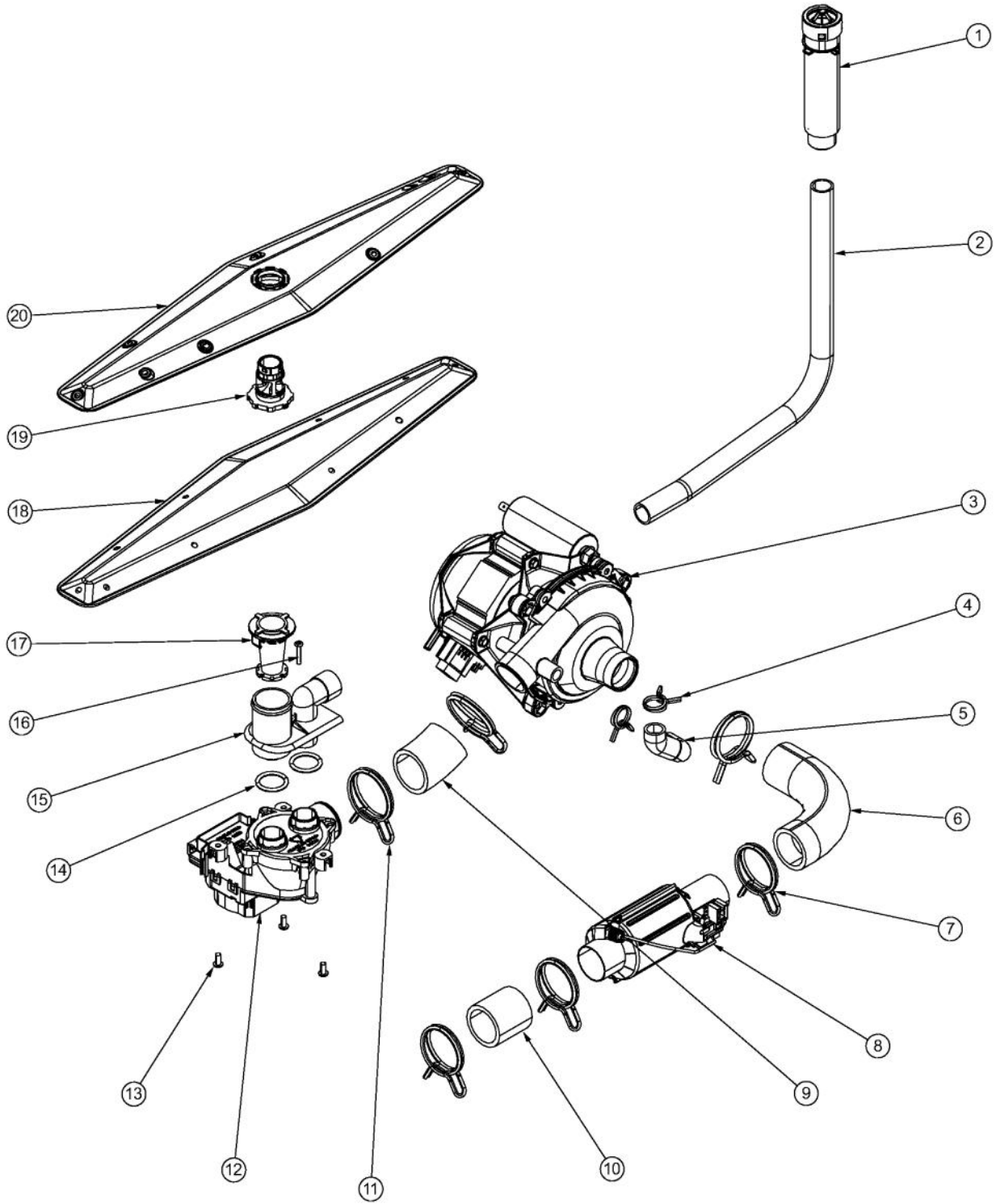
| Ref # | Part Number | Qty. | Description |
|-------|-----------------|------|---|
| 1 | 016599-000 | 1 | BRACKET, MTG, TOP , LEFT |
| 2 | PK830411 | 1 | FILLER, CORNER LEFT |
| 3 | 000362-000 | 1 | CLAMP, STRIKER |
| 4 | 000361-000 | 1 | DOOR, STRIKER |
| 5 | 002547-000 | 1 | BRACKET, FLEX MTG |
| 6 | NON-SERVICEABLE | 1 | TUB WELDMENT |
| 7 | PK830412 | 1 | FILLER, CORNER RIGHT |
| 8 | PD020249 | 2 | SCREW, NO.8-18 X 3/8, TYPE B, TORX, PAN HEAD, ZINC, BL... |
| 9 | 016606-000 | 1 | BRACKET, MTG, TOP, CTR, R |
| 10 | 002298-000 | 2 | DAMPENER ASSEMBLY, DOOR |
| 11 | PK830276 | 2 | LOCK, AIR & WATER INLET |
| 12 | 017150-000 | 1 | INLET, AIR & WATER W/GASKET ASSY |
| 13 | PM810487 | 2 | DOOR DAMPENER CABLE |
| 14 | 013449-000 | 2 | EDGING, MOUNTING TRIM, 325 |
| 15 | C93813632 | 1 | HINGE, DOOR RIGHT PLATED |
| 16 | NON-SERVICEABLE | 1 | TUB WELDMENT |
| 17 | NON-SERVICEABLE | 1 | TUB WELDMENT |
| 18 | PD020253 | 7 | SCREW; NO.10 16X.75, 304SS, PLASTITE, PAN, TORX |
| 19 | NON-SERVICEABLE | 1 | TUB WELDMENT |
| 20 | NON-SERVICEABLE | 1 | TUB WELDMENT |
| 21 | C93813631 | 1 | HINGE, DOOR LEFT PLATED |



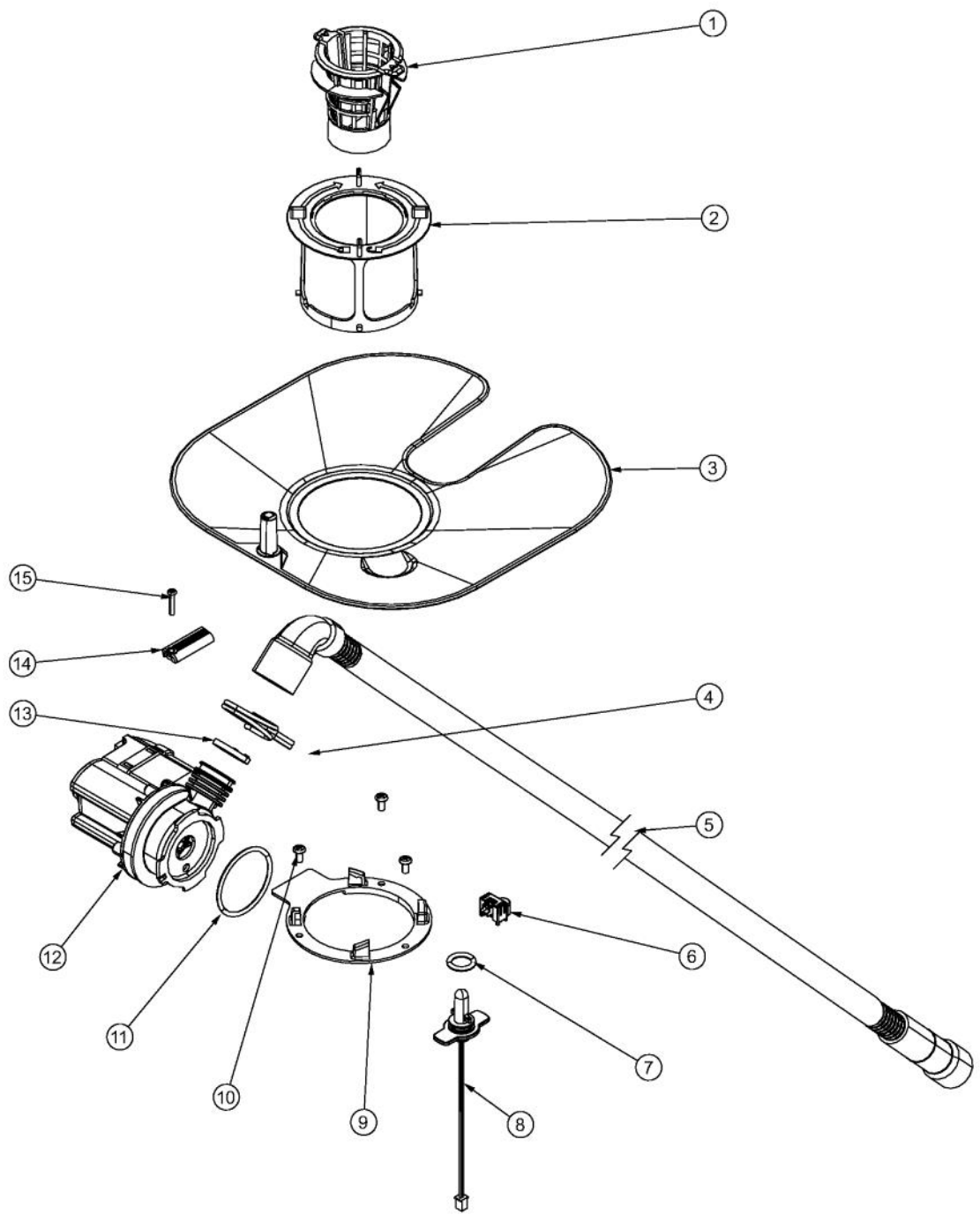
| Ref # | Part Number | Qty. | Description |
|-------|-------------|------|---|
| 1 | 016332-000 | 4 | CIRCUIT BOARD, NYLON, G60 SHIELD |
| 2 | K2088871 | 2 | CLAMP, TUB REAR |
| 3 | 019235-000 | 1 | BASE, SIDE, LEFT |
| 4 | PB070338 | 1 | SHIELD, DIELECTRIC |
| 5 | 019243-000 | 1 | PAN, BOTTOM |
| 6 | 000380-000 | 1 | SUPPORT, MOTOR |
| 7 | 000370-000 | 1 | MOUNT, MOTOR |
| 8 | 012180-000 | 1 | VALVE, WATER, SINGLE SOLENOID |
| 9 | PD020250 | 2 | SCREW; NO.10-32 X 3/8 TORX, PAN, ZINC, TYPE F |
| 10 | PD040163 | 3 | BUSHING, POWER CORD |
| 11 | 013610-000 | 1 | HOSE, INLET VALVE TO AIR & WATER INLET |
| 12 | 023731-000 | 1 | HOSE, 13.5 INLET VALVE TO AIR & WATER INLET |
| 13 | 019233-000 | 1 | BRACKET, BASE, REAR |
| 14 | 019237-000 | 1 | BASE, RIGHT SIDE ASSY |
| 15 | PD020249 | 8 | SCREW, NO.8-18 X 3/8, TYPE B, TORX, PAN HEAD, ZINC, BL... |
| 16 | PE070708 | 1 | TERMINAL BLOCK |
| 17 | PD030179 | 2 | 1/4-20 HEX NYLON INSERT LOCK NUT |
| 18 | PD020214 | 1 | SCREW, TYPE F, PAN, TORX, ZINC, 8-32 X 0.5 |
| 19 | G5088830 | 1 | LEG LEVELING SYSTEM ASSEMBLY |
| 20 | PD020215 | 2 | SCREW, TYPE F, PAN, TORX, ZINC, 8-32 X 1.5, BLUNT |
| 21 | 005033-000 | 1 | POWER CORD-90 DEGREE |
| 22 | 019232-000 | 2 | LEVELING LEG, DISHWASHER |
| 23 | 008797-000 | 1 | LABEL, CAUTION, LEVELING LEG FEET |
| 24 | PM810495 | 1 | HEX BAR |
| 25 | PK830366 | 1 | HEX HEAD ADJUSTER, REAR |
| 26 | PD020215 | 1 | SCREW, TYPE F, PAN, TORX, ZINC, 8-32 X 1.5, BLUNT |
| 27 | 024110-000 | 1 | BRACKET, OVERFLOW, MOUNTING |
| 28 | 008560-000 | 1 | CHANNEL, OVERFLOW |
| 29 | 010851-000 | 1 | BRACKET, ADJUSTABLE TOE KICK, RIGHT, ASSY |
| 30 | 017249-000 | 1 | KICKPLATE, BLACK, ASSY |
| 31 | K2188812 | 1 | BASE FRONT |
| 32 | PF031283 | 1 | LABEL, LEVELING ARROWS |
| 33 | 019591-000 | 1 | FRONT BASE BRACKET ASSY |
| 34 | 010850-000 | 1 | BRACKET, ADJUSTABLE TOE KICK, LEFT, ASSY |
| 35 | PF031188 | 1 | WARNING DECAL |
| 36 | 019282-001 | 1 | BITUMEN, PNL, FR, BR |
| 37 | 023931-000 | 1 | CONTROLLER, MACHINE, DISHWASHER |
| 37 | PD020265 | 2 | 1/4-20 X 1 1/4 TORX PAN HD MACHINE SCREW |
| 38 | PM810488 | 1 | DOOR DAMPENER PULLEY |



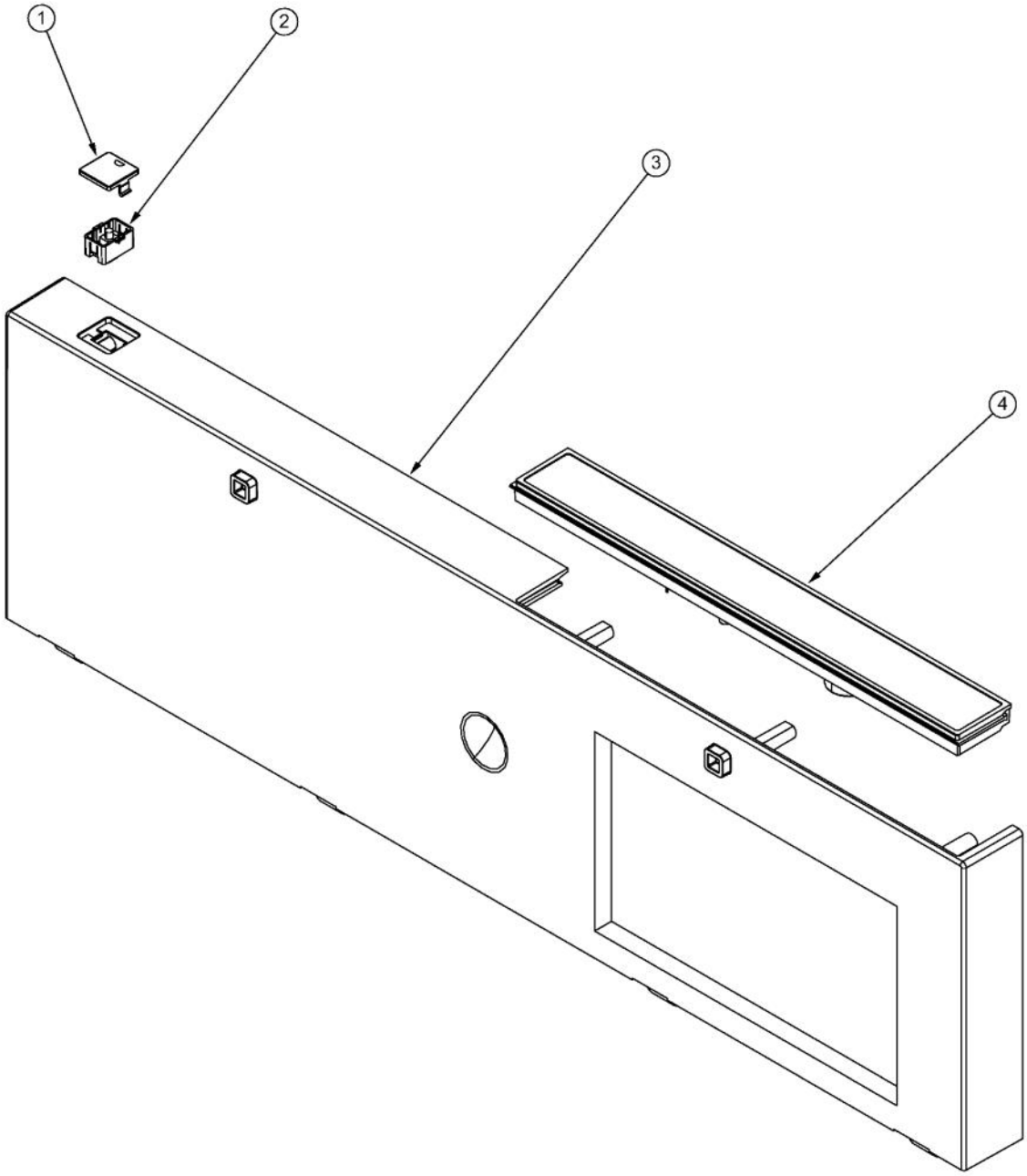
| Ref # | Part Number | Qty. | Description |
|-------|-------------|------|-------------------------------------|
| 1 | 016156-000 | 1 | ULTRA PREMIUM UPPER RACK ASSY 200 |
| 2 | 032230-000 | 1 | SILVERWARE BASKET ASSY - 200 SERIES |
| 3 | 013345-000 | 1 | LOWER RACK ASSEMBLY- 325/200/201 |



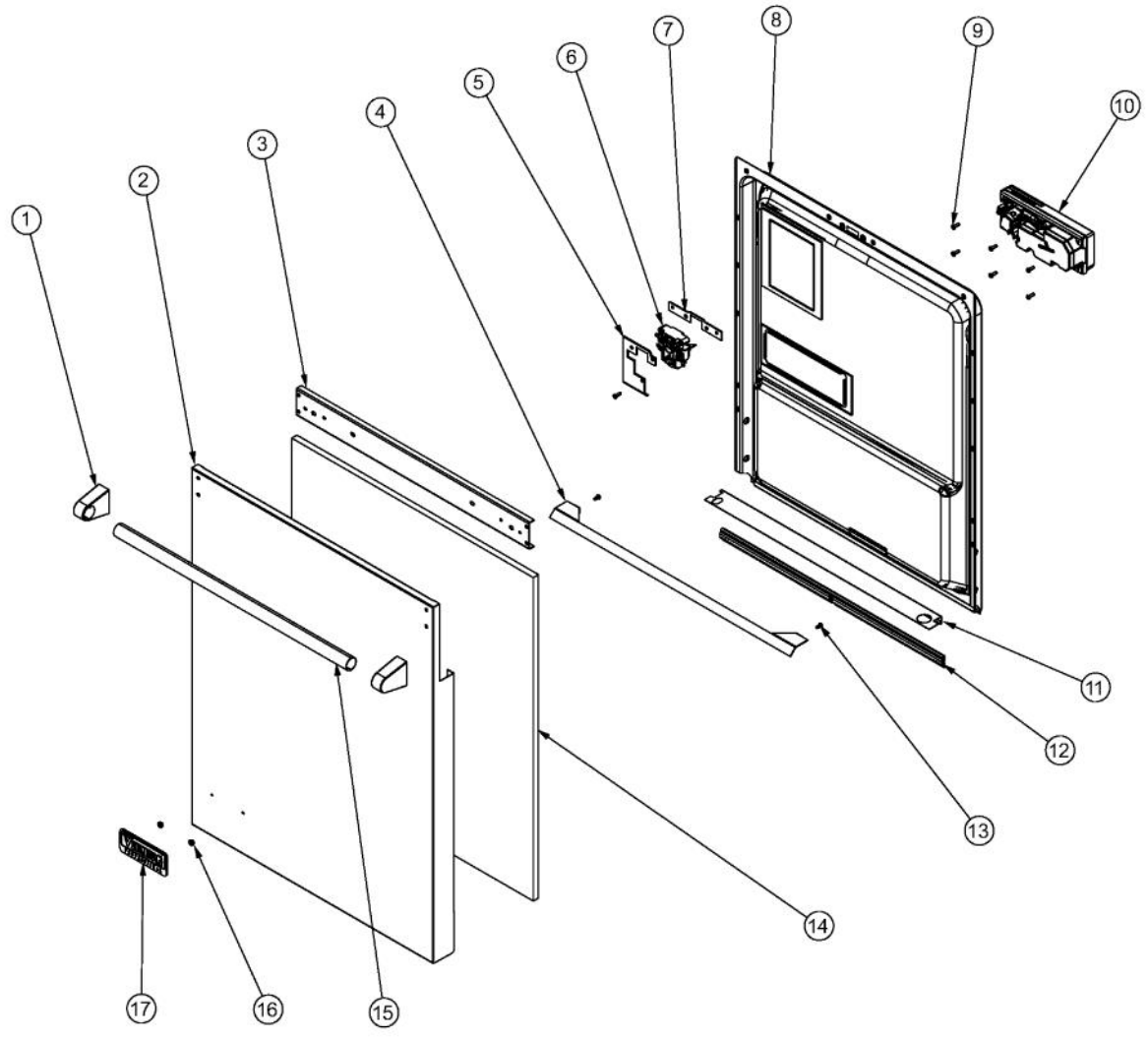
| Ref # | Part Number | Qty. | Description |
|-------|-------------|------|---|
| 1 | 004062-000 | 1 | REAR PORT ASSEMBLY |
| 2 | F2088867 | 1 | CONDUIT, LOWER |
| 3 | 016721-000 | 1 | EMERSON SINGLE SPEED MOTOR & PUMP ASSY |
| 4 | PD030165 | 2 | CLAMP, WIRE, HOSE |
| 5 | PB020264 | 1 | HOSE, PUMP TO PERIMETER SPRAYER |
| 6 | PB020262 | 1 | HOSE, HEATER TO PUMP |
| 7 | PD030163 | 4 | CLAMP, WIRE HOSE |
| 8 | 016403-000 | 1 | HEATER, FLOW THRU, 1200 WATT |
| 9 | PB020263 | 1 | HOSE, PUMP TO DIVERTER VALVE |
| 10 | PB020261 | 1 | HOSE, SUMP TO HEATER |
| 11 | 002283-000 | 2 | CLAMP,DOUBLE WIRE, HOSE |
| 12 | PA810147 | 1 | DIVERTER VALVE |
| NI | 040626-000 | 1 | DIVERTER VALVE KIT |
| 13 | PD020262 | 3 | SCREW, 8-14X3/8 TORX, PAN HEAD, PLASTITE, 304 SS |
| 14 | PB870194 | 2 | O-RING, DIVERTER VALVE |
| 15 | 019628-000 | 1 | VENTURI PLATE |
| 16 | PD020245 | 1 | SCREW, NO.6-19 X 3/4 TORX, PAN HEAD, PLASTITE, 304SS |
| 17 | PK830260 | 1 | LOWER SPRAY ARM VENTURI SPINDLE NO LONGER USED ON THIS MODEL |
| 18 | G2188882 | 1 | LOWER SPRAY ARM, ASSEMBLY |
| 19 | PK830375 | 1 | MIDDLE SPRAY ARM LOCK NUT, 1/4 TURN |
| 20 | G2188879 | 1 | MIDDLE SPRAY ARM, ASSEMBLY |



| Ref # | Part Number | Qty. | Description |
|-------|-------------|------|--|
| 1 | PB880032 | 1 | TRAP, GLASS |
| 2 | G5088865 | 1 | FINE FILTER ASSEMBLY |
| 3 | 019381-000 | 1 | FILTER, PRIMARY ASSY |
| 4 | PD030164 | 1 | CLAMP, DOUBLE WIRE, HOSE, .126 |
| 5 | PB820205 | 1 | HOSE, DRAIN |
| 6 | PE050229 | 1 | FLOOD SENSOR |
| 7 | PB870196 | | SUB TO 020784-000 - O-RING, LEVEL SENSOR |
| 8 | 003457-000 | 1 | SENSOR, TEMPERATURE ASSY |
| 9 | PD830110 | 1 | FILTER LOCKING PLATE |
| 10 | 009039-000 | 3 | SCREW, NO.10 X 3/8 PHIL PAN HD PLASTITE 18-8 PASSIVAT... |
| 11 | PB870195 | 1 | O-RING, DRAIN PUMP |
| 12 | 006521-000 | 1 | PUMP, DRAIN ASM |
| 13 | PJ040007 | 1 | FLAPPER, DRAIN PUMP |
| 14 | PK830239 | 1 | DRAIN FILTER |
| 15 | PD020245 | 1 | SCREW, NO.6-19 X 3/4 TORX, PAN HEAD, PLASTITE, 304SS |



| Ref # | Part Number | Qty. | Description |
|-------|-------------|------|--|
| 1 | 002702-000 | 1 | BUTTON, START |
| 2 | PE050225 | 1 | MAIN POWER SWITCH |
| 3 | 016727-000 | 1 | CONSOLE, ELECTRONIC CONTROL, 200 DRILLED |
| 4 | 016258-000 | 1 | INTERFACE, USER, 200 ASSY |
| NI | 028685-000 | 1 | 200 SERIES START SWITCH AND COVER KIT |



| Ref # | Part Number | Qty. | Description |
|-------|-------------|------|---|
| 1 | 000268-000 | 2 | HANDLE END CAP ASSY |
| 2 | 013211-000 | 1 | DOOR, PRO, 325 |
| 3 | K2188821 | 1 | BRACE, DOOR SKIN, HORIZONTAL |
| 4 | 019374-000 | 1 | SPREADER, DOOR |
| 5 | 000870-000 | 1 | LATCH, BRACKET |
| 6 | 013380-000 | 1 | DOOR LATCH |
| 7 | 019464-000 | 1 | SPACER, DOOR LATCH |
| 8 | 019460-000 | 1 | DOOR, INNER, W/THIN BITUMEN, NO VENT |
| 9 | 008987-000 | 7 | SCREW, NO.8 X 1/2 PAN TORX ZINC HIGH-LOW |
| 10 | PM810482 | 1 | DETERGENT/RINSE AID DISPENSER |
| 11 | 013743-000 | 1 | BRACKET, DOOR, INNER, 325 |
| 12 | 014072-000 | 1 | SEAL, DOOR, LOWER |
| 13 | PD020249 | 2 | SCREW, NO.8-18 X 3/8, TYPE B, TORX, PAN HEAD, ZINC, BL... |
| 14 | PB870209 | 1 | SOUND ABSORBER, DOOR |
| 15 | PE030191 | 1 | DOOR HANDLE 22.38 |
| 16 | PD030006 | 2 | CAPPED WASHER PAL NUT |
| 17 | PE010016 | 1 | NAMEPLATE, LOGO, PRO |

*No Image
Available*

| Ref # | Part Number | Qty. | Description |
|-------|-------------|------|----------------------------|
| NI | 013374-000 | 1 | HARNESS, HIGH VOLTAGE BASE |

*No Image
Available*

| Ref # | Part Number | Qty. | Description |
|-------|-------------|------|---------------------------|
| NI | 013377-000 | 1 | HARNESS, LOW VOLTAGE BASE |

*No Image
Available*

| Ref # | Part Number | Qty. | Description |
|-------|-------------|------|-------------------|
| NI | 001796-000 | 6 | RETAINER, HARNESS |
| NI | PK030170 | 6 | RETAINER, HARNESS |

*No Image
Available*

| Ref # | Part Number | Qty. | Description |
|-------|-------------|------|----------------------------|
| NI | 016632-000 | 1 | HARNESS, LOW VOLTAGE, DOOR |