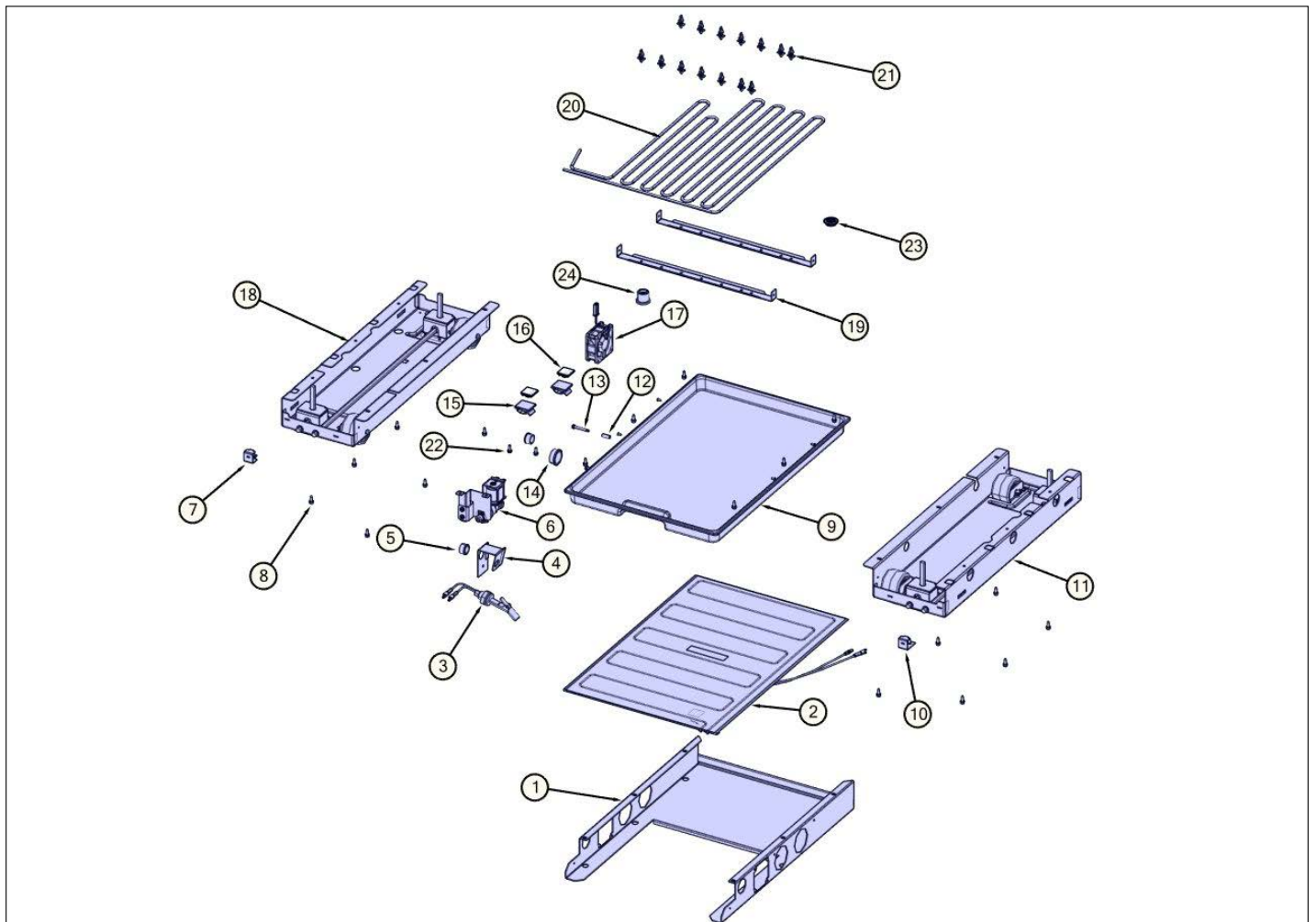


FDBB5362R

Bottom View	1
FZ Interior View	2
Lo Side Asm View	3
Top View	4
Control View	5
FF Interior View	6
FZ Drawer View	7
FF Door View	8
Wiring View 1	9
Wiring View 2	10
Appendix A:Pages Index	A
Appendix B:Parts Index	B

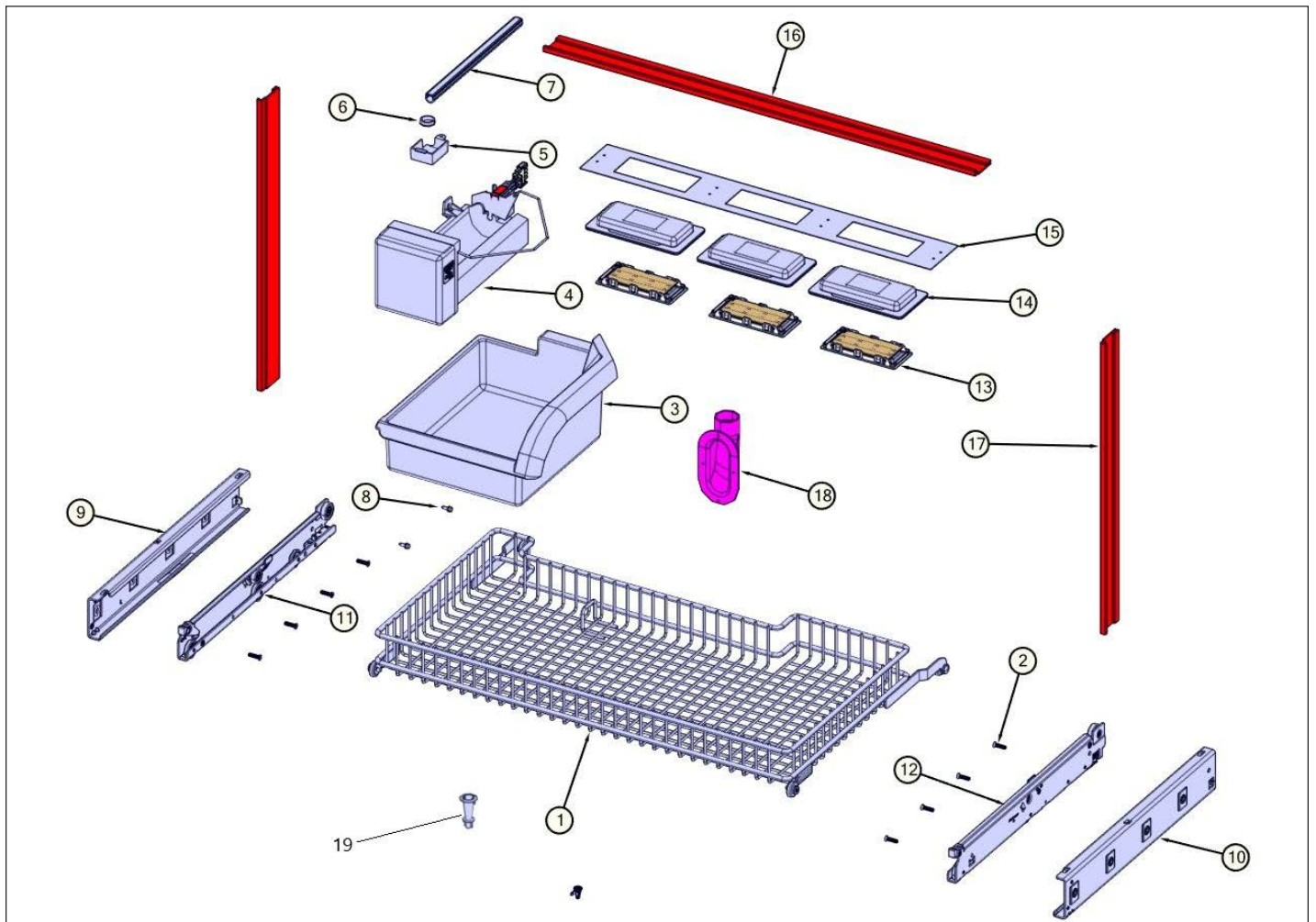
Bottom View





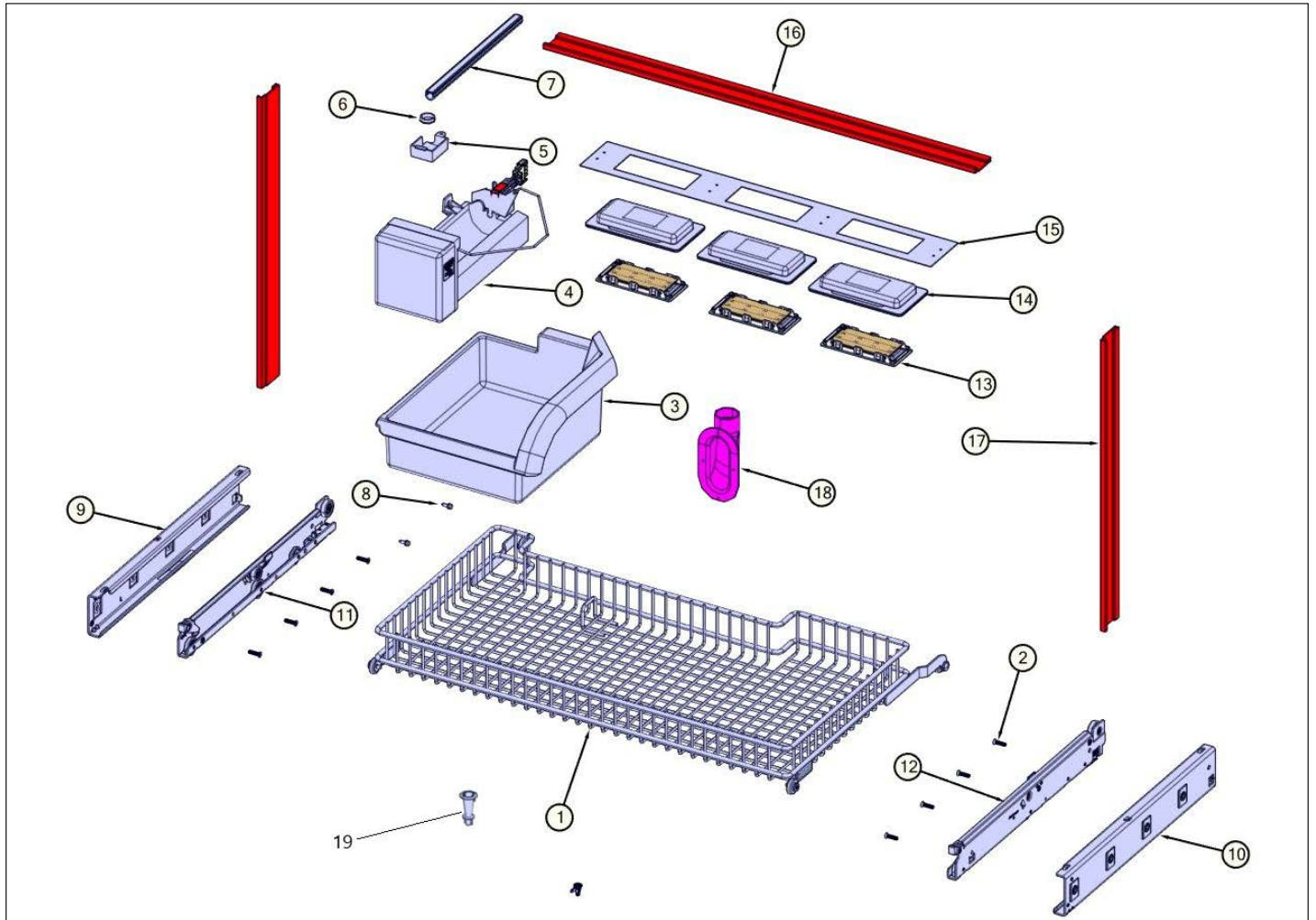
Item	Part No.	Name	Qty	Uom	NOTES
1	K20915952	SHIELD BOTTOM DRAIN	1	EA	
2	G50914125	PAN HEATER ASM	1	EA	
3	PE050248	FLOAT SWITCH HORIZONTAL	1	EA	
4	B20915627	BRACKET HORIZ FLOAT SWITCH	1	EA	
5	A4554806	BUSHING-SNAP VA4554806	2	EA	
6	G32913789	BRKT & VALVE H2O SNGL ASM	1	EA	
7	K2098096	BRKT GRILLE SUPPORT	1	EA	
8	PD020194	SCR, HEX SRTD WSHR HD, #8-18 X 1/2	23	EA	
9	PK930348	PAN DRAIN	1	EA	
10	K2098044	BRKT GRILLE SUPPORT	1	EA	
11	060890-000	LEVELER, MODULE, R	1	EA	
12	011332-000	SPACER,NYL	2	EA	
13	PD020274	SCR SLTD HEX WSHR HD 8X1.250 BT	2	EA	
14	A4554817	BUSHING-SNAP VA4554817	1	EA	
15	M0104102	CLIP-CORD RED	2	EA	
16	m0104106	CLIP-CORD VM0104106	2	EA	
17	013112-000	NOISE REDUCTION FAN KIT	1	EA	
18	060891-000	LEVELER, MODULE, L	1	EA	
19	K20911831	BRACKET CONDENSATE SUPPORT	2	EA	
20	f20915696	SERPENTINE CONDENSER DRAIN	1	EA	
21	PD030146	STAND OFF LOCK CLIP	14	EA	
22	M0220417	SCREW-TC	3	EA	
23	10712401	PLUG-VENT	1	EA	
24	026222-000	BUSHING,REDUCING 3/4" X 1/2"	2	EA	

FZ Interior View





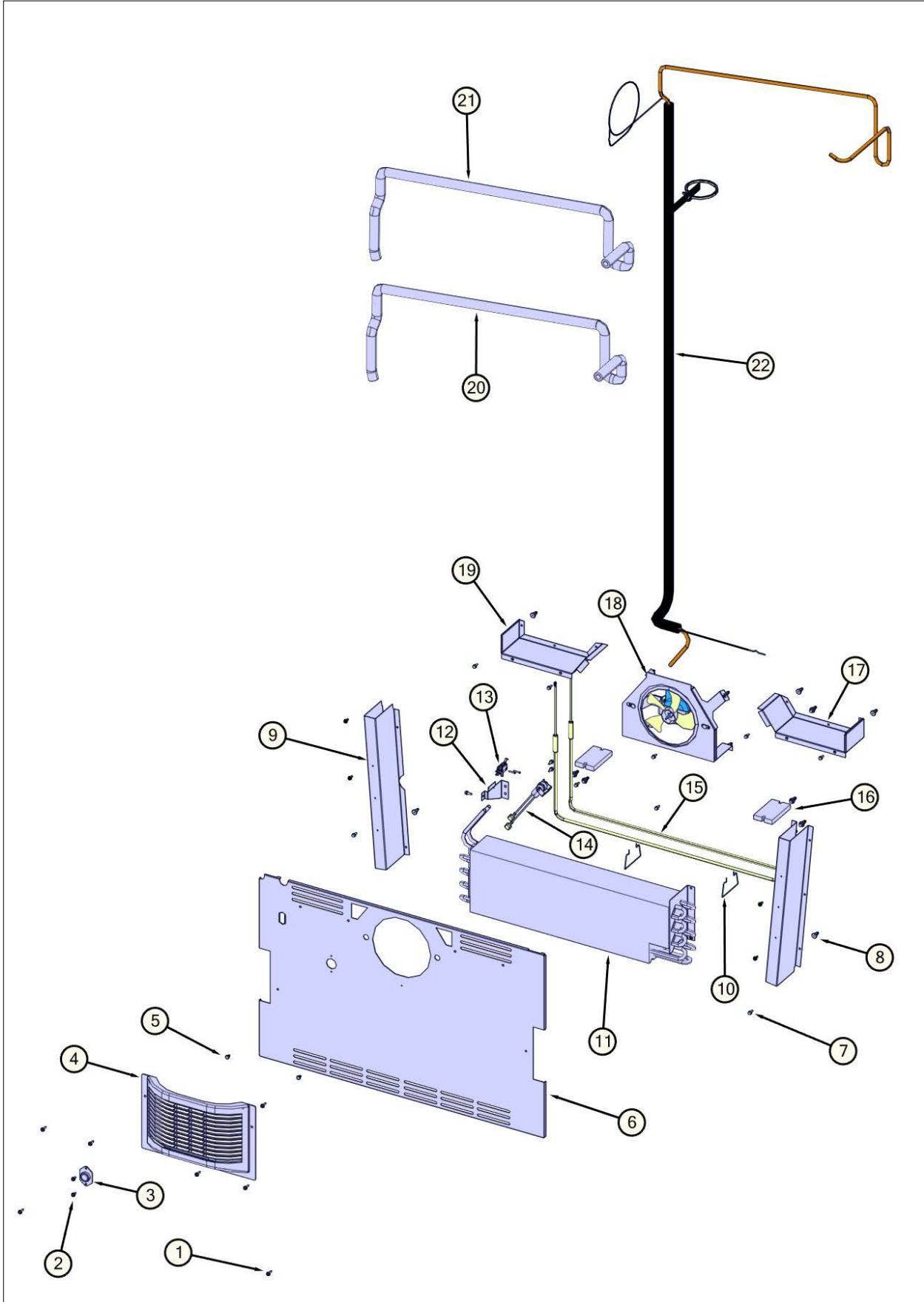
Item	Part No.	Name	Qty	Uom	NOTES
1	PM010630	BASKET, TOP	1	EA	
2	043902-000	10-32 X 3/4 TRILOBE (T20) FLAT HEAD	8	EA	
3	PK930056	PAN ICE (BM)	1	EA	
4	G50911850	IM Assy NLA See TR-0023C-SP	1	EA	TR-0023C-SP
<p>Comments for Part Num. G50911850</p> <p>bradleysapplianceservice@shaw.ca on Jan 7, 2016 ICE MAKER BAIL ARM ACCESSORY KIT NUMBER 002251-000 -BAIL ARM (BOTTOM MOUNT) -BAIL ARM (DISPENSER AND NON-DISPENSER SIDE BY SIDE, ALL FREEZER) -ICE MAKER SHUTOFF WIRE</p> <p>ICE MAKER KIT NUMBER 002252-000 -ICE MAKER -ICE MAKER COVER -ICE MAKER LABEL -FILL CUP CLIP</p> <p>ICE MAKER WIRE HARNESS KIT NUMBER 002253-000 -ICE MAKER HARNESS -WIRE CLAMP</p> <p>REF: TECHNICAL BULLITEN: TR-0023C-SP</p>					
5	12106101	COVER-WIRING V12106101	1	EA	
6	A4554818	BUSHING-SNAP VA4554818	1	EA	
7	10250003	COVER-WIRING V10250003	1	EA	
8	PD020194	SCR, HEX SRTD WSHR HD, #8-18 X 1/2	2	EA	
9	057852-000	OUTER MEMBER, SLIDE, BM 36, LH (83101)	1	EA	
10	057853-000	OUTER MEMBER, SLIDE, BM 36, RH (83102)	1	EA	
11	057857-000	MIDDLE MEMBER, SLIDE, BM 36, LH (83104)	1	EA	
12	057856-000	MIDDLE MEMBER, SLIDE, BM 36, RH (83103)	1	EA	
13	042766-000	LED LIGHT, 8-POINT	3	EA	
14	046357-000	LED CUP ASSY (8)	3	EA	





Item	Part No.	Name	Qty	Uom	NOTES
15	044692-000	LED SHIM, 24"	1	EA	
16	PK930049	SPACER LINER 36 BM FZ TOP	1	EA	
17	PK930050	SPACER LINER 36 BM FZ SIDE	2	EA	
18	PK930159	FLANGE LOWER HT EXCH SLEEVE	1	EA	
19	PK030540	DRAIN TUBE	1	EA	

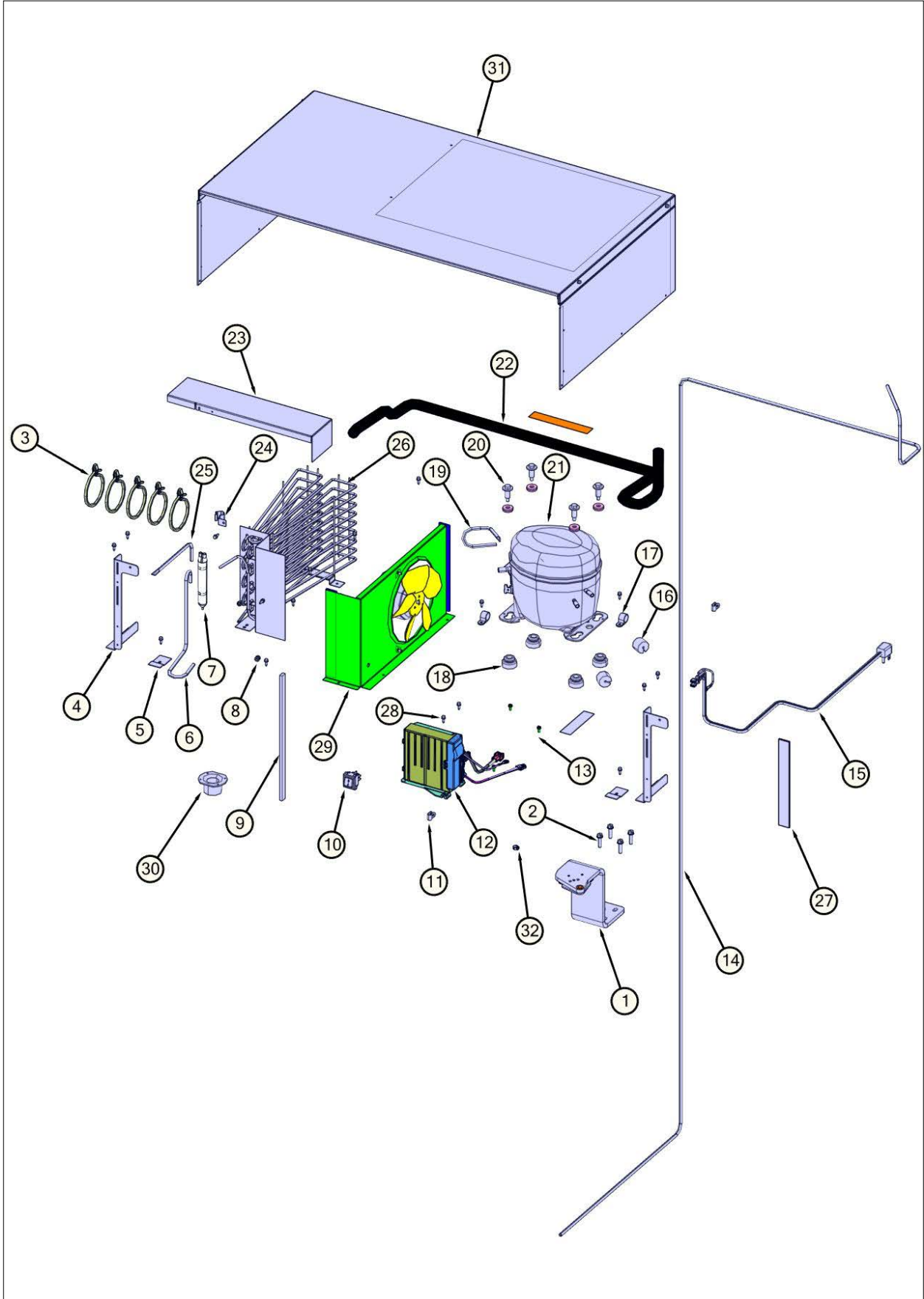
Lo Side Asm View





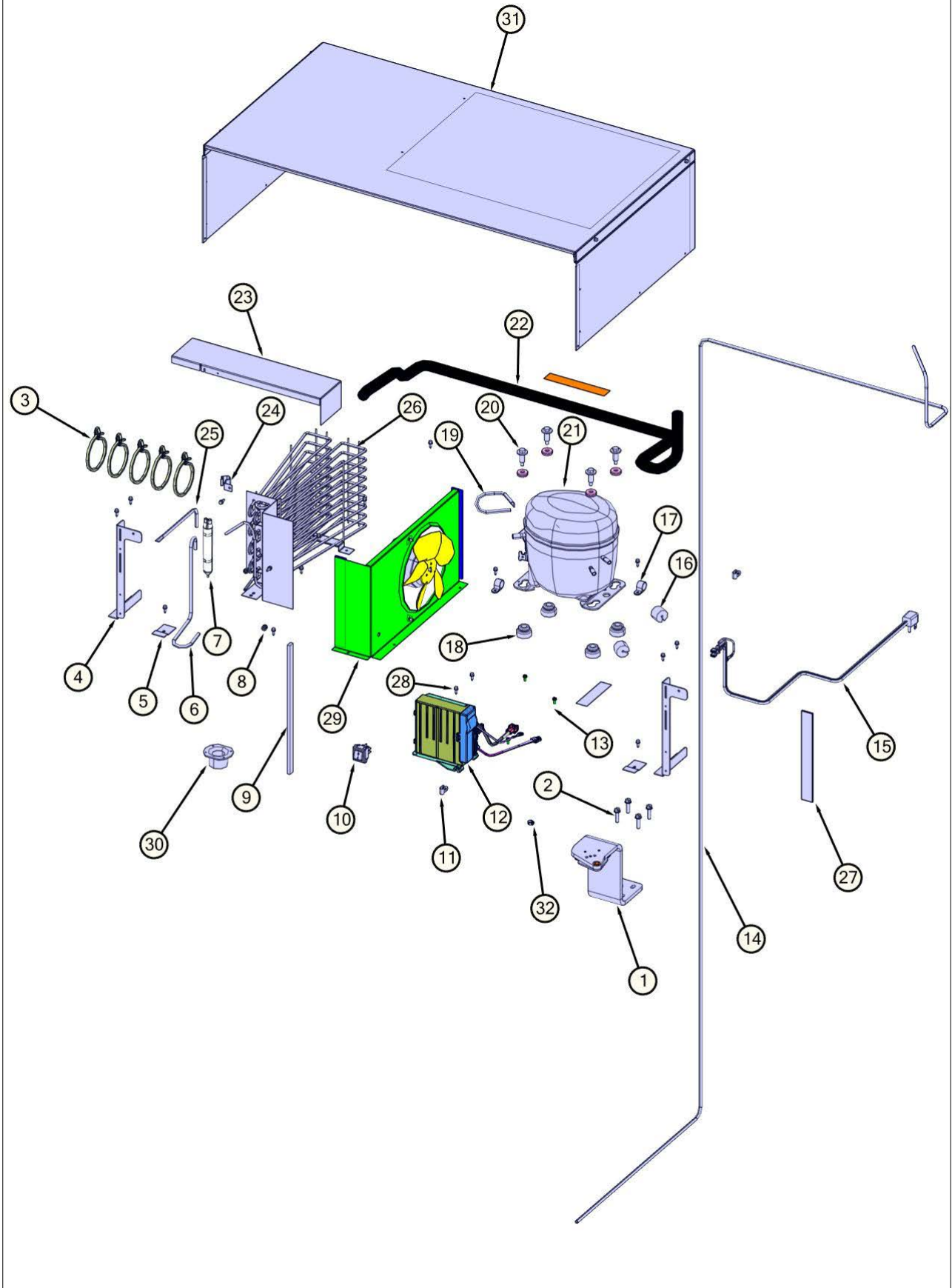
Item	Part No.	Name	Qty	Uom	NOTES
1	M0211018	SCREW-SM	7	EA	
2	M0253916	SCR 8-32 SHXW 3/8 TRI-LOBE	2	EA	
3	C8983701	THERMISTOR	1	EA	
4	12063301	COVER-FZ FAN V12063301	1	EA	
5	PD020038	SCREW-#10 X 3/8 HEX WH.HD.T(F)GREEN	2	EA	
6	000247-000	COVER, EVAP, BM	1	EA	
7	PD020194	SCR, HEX SRTD WSHR HD, #8- 18 X 1/2	16	EA	
8	M0581001	GROMMET-SCREW VM0581001	16	EA	
9	k2097172	CHANNEL AIR RETURN	2	EA	
10	10428101	CLIP-EVAP HTR V10428101	2	EA	
11	PM910178	BOTTOM MOUNT EVAP	1	EA	
12	K2098398	36" BM SWITCH MOUNTING BRKT	1	EA	
13	003471-000	SWITCH SNAP-ACTION BM 36	1	EA	
14	058966-000	THERMOSTAT, SNAP ACTION, 55 OPEN 20 CLOSE	1	EA	
15	PJ910030	BOTTOM MOUNT EVAP HEATER	1	EA	
16	12067301	BLOCK-L EVAP V12067301	2	EA	
17	k2097169	BRKT DIVIDER R	1	EA	
18	G50910016	FAN EVAP ASM BM 36	1	EA	
19	k2097168	BRKT DIVIDER L	1	EA	
20	PB970187	INSULATION TUBING 57.500 WC, 5 SERIES	1	EA	
21	PB970188	INSULATION TUBING 45.000 5 SERIES	1	EA	
22	031006-000	HEAT EXCHANGER ASM BM 36	1	EA	

Top View





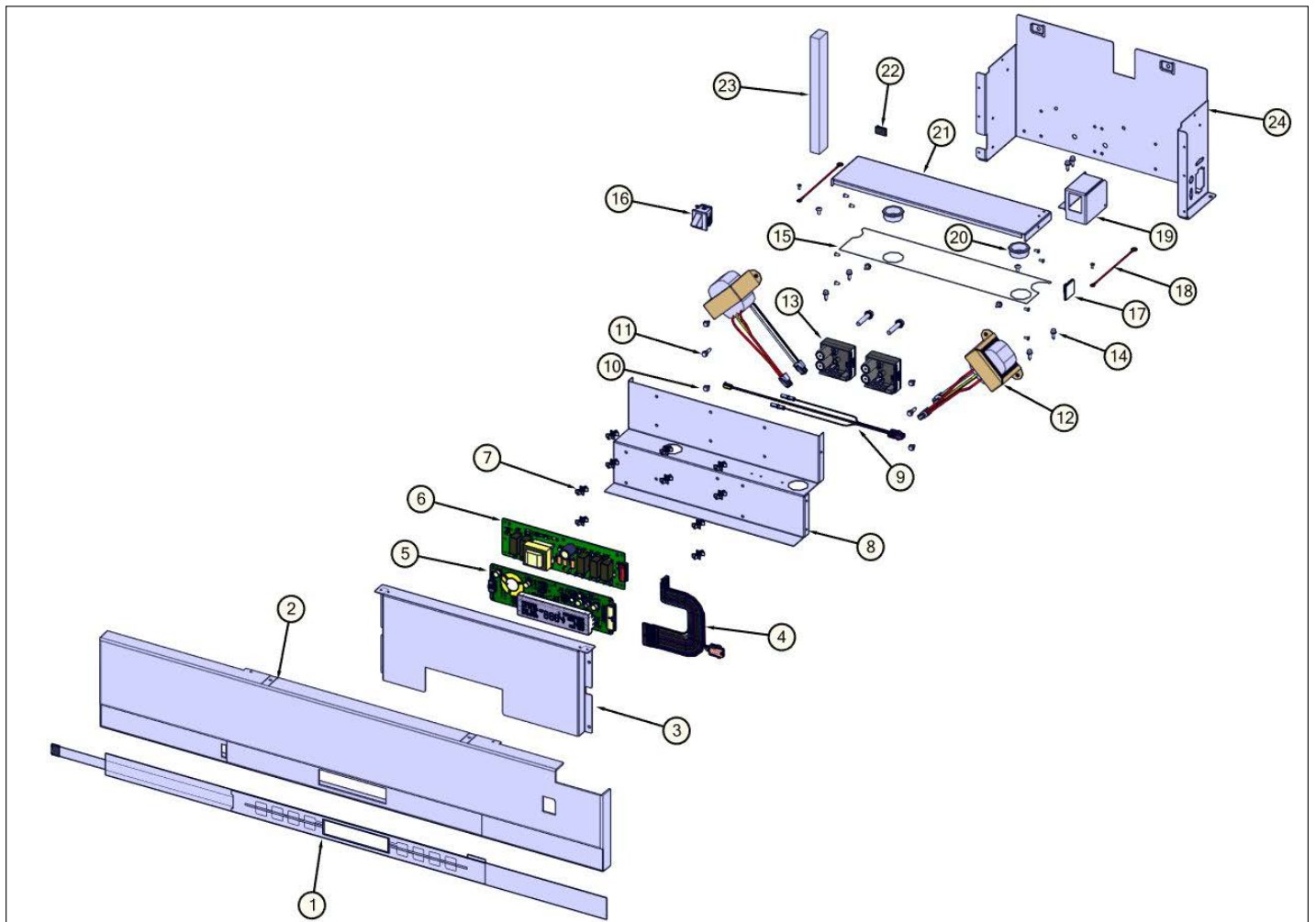
Item	Part No.	Name	Qty	Uom	NOTES
1	044723-000	TOP HING ASM R 36 BM	1	EA	
2	000570-000	FASTENER, BOLT, 1/4-20 IHXWS 1" S ZN SER	4	EA	
3	M0322202	TIE-WIRE	5	EA	
4	014190-000	BRACKET, GRILLE SUPPORT	2	EA	
5	K2096943	PANEL BRACKET	2	EA	
6	003325-000	TUBE DRIER COND	1	EA	
7	030926-000	DRIER - HIGH SIDE	1	EA	
8	007407-000	RING,LOK, .187 DIA	2	EA	
9	PB070288	1/4" X 1/2" CLOSED CELL SPONGE	0.08ft	EA	
10	PE950149	SWITCH POWER	1	EA	
11	PD930112	CLAMP-CORD	2	EA	
12	011666-000	INVERTER,CMPR,ASM	1	EA	
<p>Comments for Part Num. 011666-000</p> <p>gboltz@VikingRange.com on Aug 9, 2018 See 2018-01P Parts Bulletin</p>					
13	PD020010	10 X 3/8 GREEN GROUNDING SCREW	4	EA	
14	001022-000	TUBE DISCHARGE BM 36	1	EA	
15	059105-000	CORD, PWR, BM, LEAD TERMINALS	1	EA	
16	10699601	DAMPER-TUBING .8	2	EA	
17	023823-000	CLIP, TUBE	2	EA	
18	10835901	GROMMET RUBBER V10835901	4	EA	
19	f2096507	TUBE-PROCESS GRN	1	EA	
20	M0221523	SCREW - SHLDR	4	EA	
21	PM010619	COMPRESSOR VCC	1	EA	
<p>Comments for Part Num. PM010619</p> <p>profixappliances@gmail.com on Apr 21, 2020 SUB TO 062775-000 COMPRESSOR KIT</p>					
22	PB970188	INSULATION TUBING 45.000 5 SERIES	1	EA	





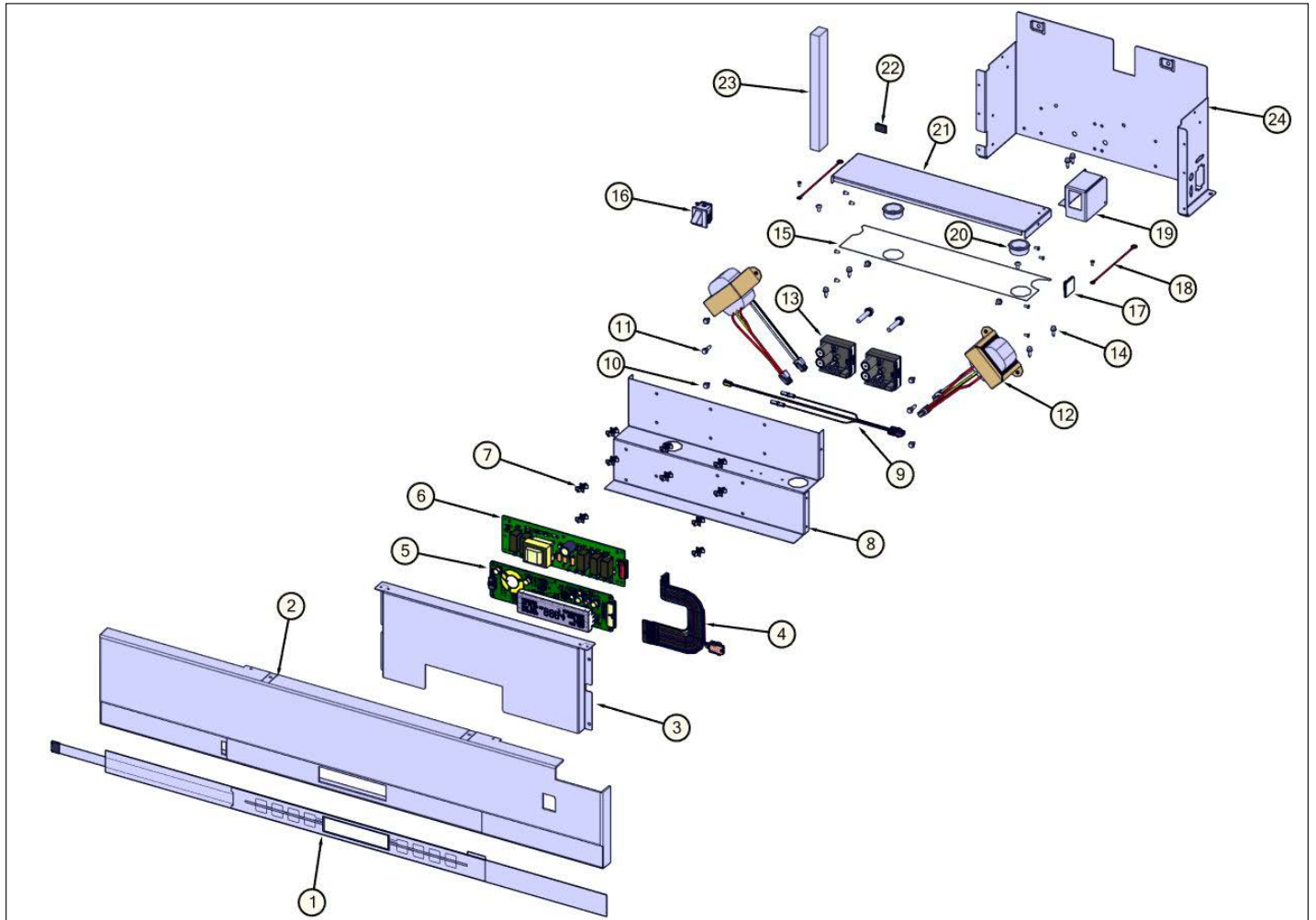
Item	Part No.	Name	Qty	Uom	NOTES
23	014369-000	DIVERter AIR HI SIDE 36	1	EA	
24	10547001	CLIP-DRIER V10547001	1	EA	
25	f2097740	TUBE PROCESS	1	EA	
26	068353-000	CONDENSER ASM W/COPPER ENDS	1	EA	
27	A3189370	GASKET-FOAM VA3189370	1	EA	
28	PD020194	SCR, HEX SRTD WSHR HD, #8-18 X 1/2	6	EA	
29	G5096494	COND. FAN ASSY	1	EA	
30	PK930158	FLANGE UPPER HT EXCH SLEEVE	1	EA	
31	007979-000	MC COVER ASM BI 36	1	EA	
32	12115101	CLAMP-TUBE V12115101	1	EA	

Control View





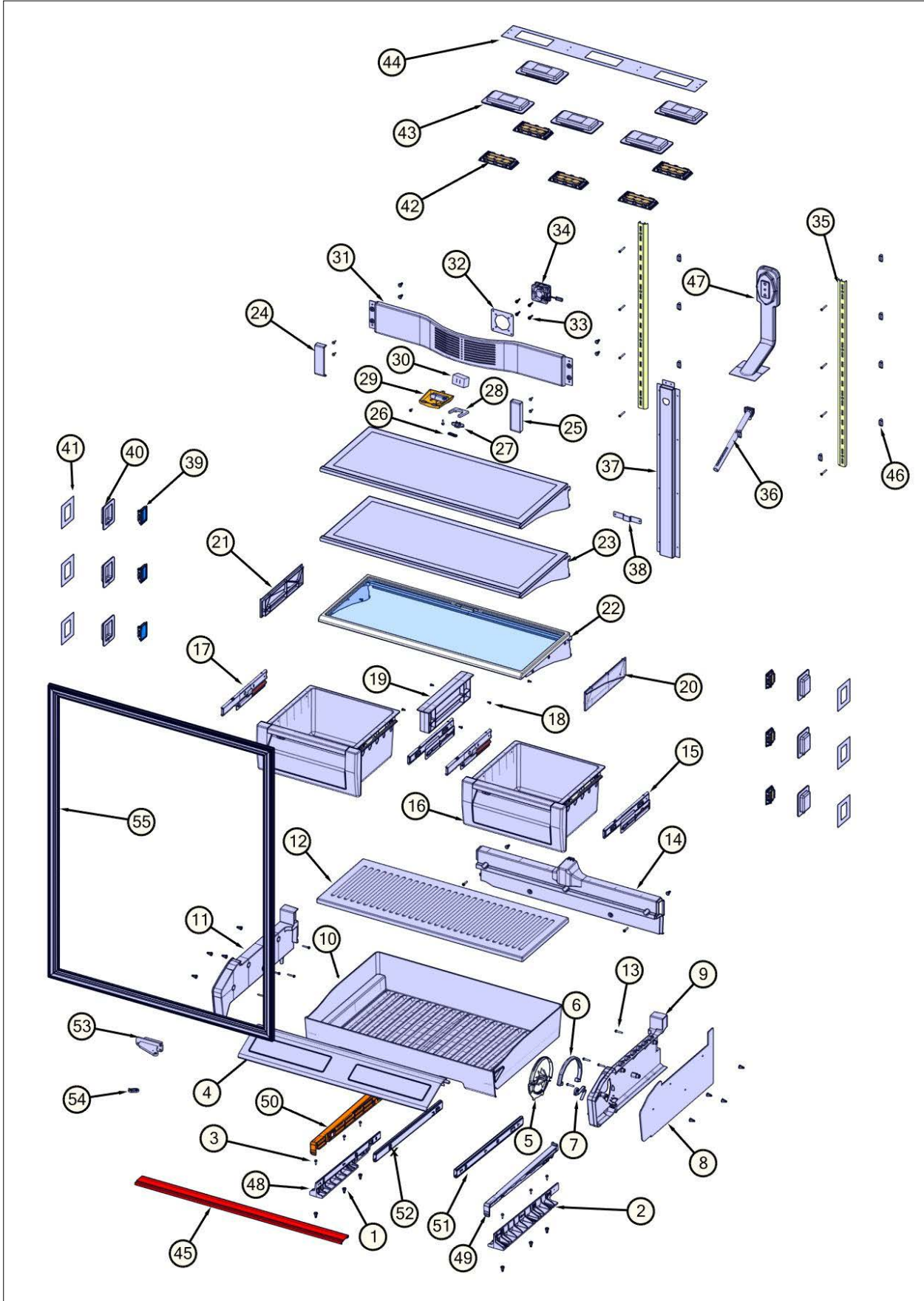
Item	Part No.	Name	Qty	Uom	NOTES
1	043376-000	OVERLAY, SW, ASM, BM 36	1	EA	
2	016507-000	PANEL CONTROL BM 36 R	1	EA	
3	016930-000	MOTR CONTROL BOX FRONT	1	EA	
4	PE970464	HARNESS LOW VOLT 5 SERIES	1	EA	
5	057309-000	BOARD, LOW VOLTAGE	1	EA	
<p>Comments for Part Num. 057309-000</p> <p>gboltz@VikingRange.com on Apr 29, 2019 SEE TTR-0010 for installation</p>					
6	005319-000	POWER CONTROL BOARD ASM 5 SERIES	1	EA	
<p>Comments for Part Num. 005319-000</p> <p>boltz on Apr 12, 2018 See TR-0056-SP Bulletin</p>					
7	m0585504	SUPPORT	10	EA	
8	044479-000	MOTOR BRACKET PCB	1	EA	
9	PE970609	HARNESS CONTROL BOARD 5 SERIES	1	EA	
10	PD020193	SCR 8-18 X 3/8	9	EA	
11	M0238859	SCREW-SHLDR	2	EA	
12	046386-000	TRANSFORMER, LED SOFT START 5 SERIES	2	EA	
13	046385-000	CIRCUIT, LED SOFT START 5 SERIES	2	EA	
14	PD020194	SCR, HEX SRTD WSHR HD, #8- 18 X 1/2	6	EA	
15	005396-000	FILM,PROTECTIVE	1	EA	
16	PE950121	SWITCH	1	EA	
17	m0104106	CLIP-CORD VM0104106	1	EA	
18	12064001	SUPP-CONT PANEL	2	EA	
19	025433-000	BRACKET,SW,POWER	1	EA	
20	A4554817	BUSHING-SNAP VA4554817	2	EA	
21	K20915000	CONTROL BOX TOP	1	EA	
22	M0288120	NUT-SPEED VM0288120	1	EA	
23	A3030361	GASKET RED	1	EA	





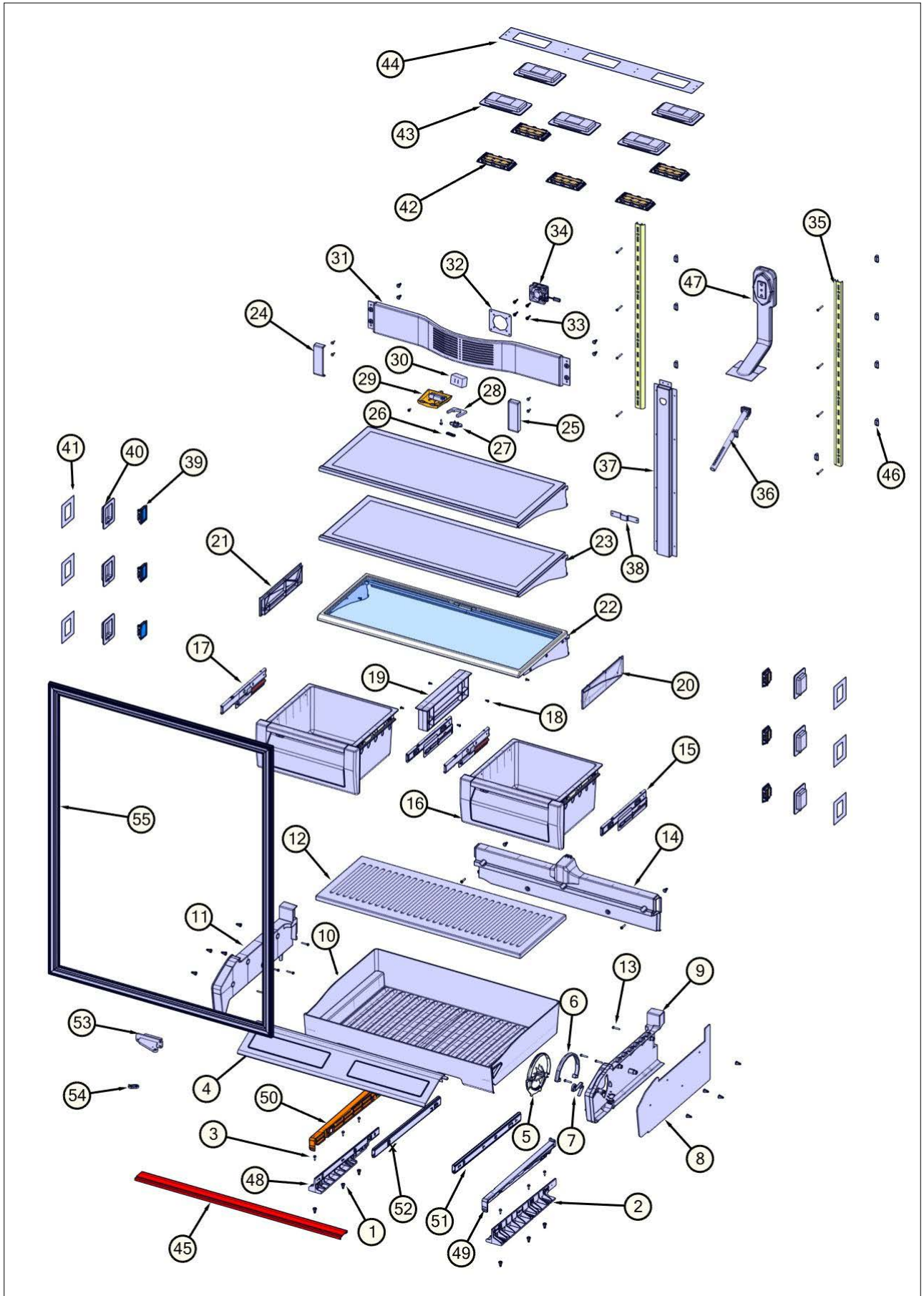
Item	Part No.	Name	Qty	Uom	NOTES
24	047016-000	MOTOR CONTROL BOX	1	EA	

FF Interior View



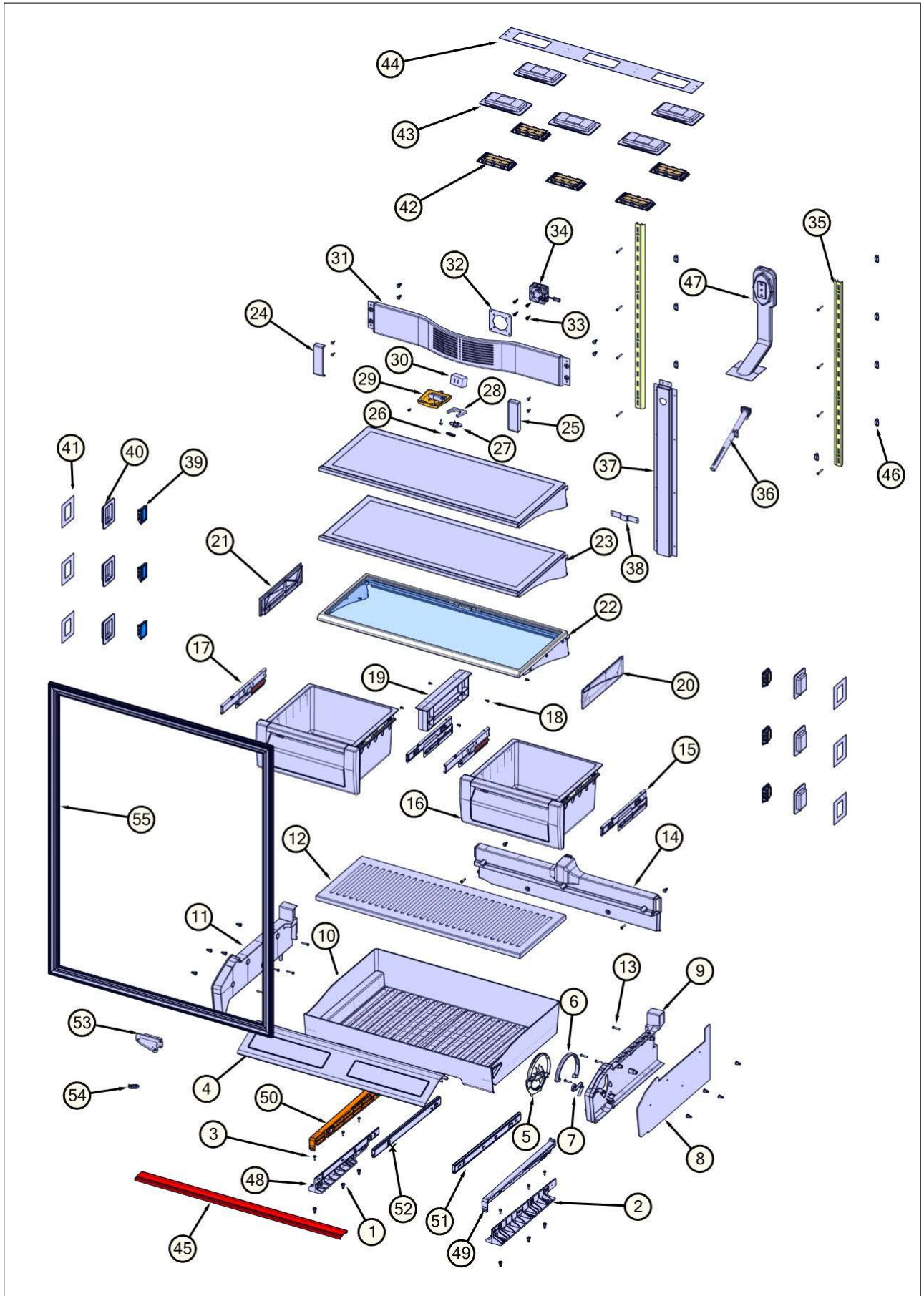


Item	Part No.	Name	Qty	Uom	NOTES
1	M0581001	GROMMET-SCREW VM0581001	20	EA	
2	PK930173	SUPPORT SLIDE MEAT SAVOR SXS 42/48 R	1	EA	
3	PD020195	SCR 8-18 X 5/8	18	EA	
4	044809-000	DOOR MEAT SAVOR ASM AR/BM 36	1	EA	
5	044384-000	DIAL CONTROL MEAT SAVOR	1	EA	
6	044385-000	COVER CONTROL MEATSAVER	1	EA	
7	PM910334	ROLLER TENSION	1	EA	
8	PK930283	DUCT MEATSAVOR SPACER	1	EA	
9	044232-000	DUCT MEAT SAVOR (R)	1	EA	
10	PK930278	DRAWER MEAT SAVOR AR BM 36	1	EA	
11	PK930284	DUCT MEATSAVOR LEFT	1	EA	
12	PK930286	SHELF MEATSAVOR AR/BM 36	1	EA	
13	M0211021	SCREW-SM	10	EA	
14	PK930388	DUCT, MEATSAVOR REAR BM 36	1	EA	
15	046235-000	SLIDE, DWR, SOFT CLOSE-RH	2	EA	
16	012396-000	DRAWER,PRODUCE,ASM 36 AR/BM	2	EA	
17	046255-000	SLIDE, DWR, SOFT CLOSE, LH	2	EA	
18	PD920161	SCR 8-16 PLASTITE PNP 3/8 S	8	EA	
19	PK030439	GLIDE CENTER SUPPORT	1	EA	
20	044214-000	SUPPORT SLIDER R	1	EA	
21	044219-000	SUPPORT SLIDER L	1	EA	
22	043203-000	SHELF ASM GLASS 36 AR 36 BM	1	EA	
23	042673-000	SHELF, GL, 36" NANO SHELF ASSY	2	EA	
24	12070202	CAP-L FAN COVER V12070202	1	EA	
25	12070201	CAP-R FAN COVER V12070201	1	EA	
26	12090301	CLIP-S V12090301	1	EA	
27	C8983701	THERMISTOR	1	EA	
28	12404901	GASKET-THERM V12404901	1	EA	





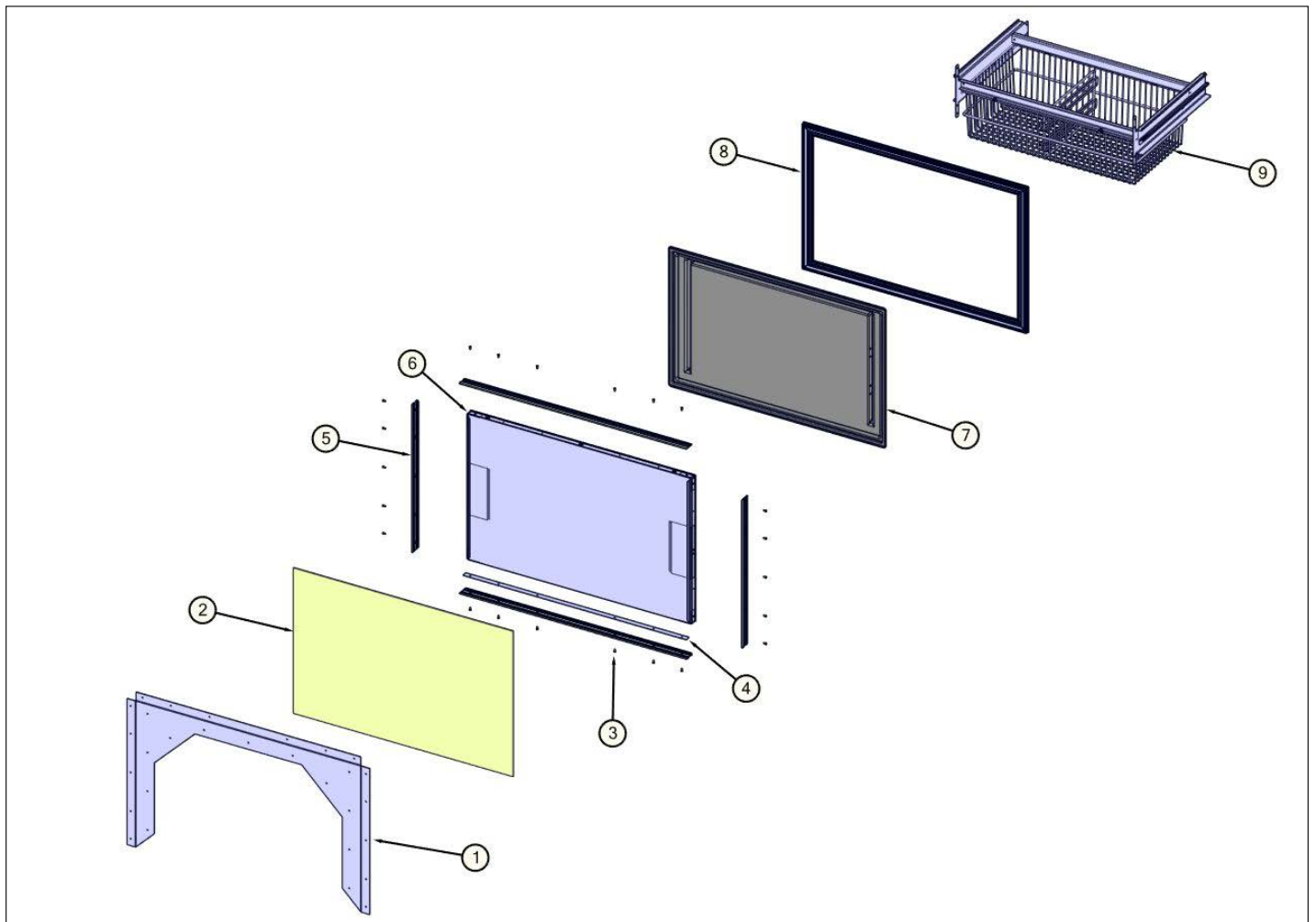
Item	Part No.	Name	Qty	Uom	NOTES
29	044810-000	HOUSING, PCI, ASM	1	EA	
30	PB970138	INSULATION THERMISTOR BM 36 FF	1	EA	
31	044177-000	COVER- REF FAN	1	EA	
32	007302-000	BRACKET,FAN	1	EA	
33	007301-000	GROMMET,RUBBER	4	EA	
34	013112-000	NOISE REDUCTION FAN KIT	1	EA	
35	PK020074	LADDER SIDE BTM 36	2	EA	
36	009216-000	FILL TUBE BM	1	EA	
37	026251-000	CHANNEL,WTR,36 BM	1	EA	
38	026540-000	BM, IM, FILL TUBE, BRKT	1	EA	
39	042764-000	LED LIGHT, 3-POINT	6	EA	
40	046358-000	LED CUP ASSY (3)	6	EA	
41	044694-000	LED SHIM, SMALL SINGLE	6	EA	
42	042766-000	LED LIGHT, 8-POINT	5	EA	
43	046357-000	LED CUP ASSY (8)	5	EA	
44	043192-000	LED SHIM, FF	2	EA	
45	PK930177	SPACER TOP/BTM AR 36	1	EA	
46	010553-000	METAL,SCREW, ANCHOR	17	EA	
NA	A3189337	GASKET-FOAM	2ft	EA	
47	PK930250	DUCT CRISPER AIR BM 36	1	EA	
NA	A3030303	GASKET	2	EA	
NA	A3030302	GASKET GRN SL	6	EA	
NA	A3189348	GASKET-FOAM	1	EA	
48	PK930174	SUPPORT SLIDE MEAT SAVOR SXS 42/48 L	1	EA	
49	PK930175	SUPPORT DRAWER MEAT SAVOR SXS 42/48 R	1	EA	
50	PK930176	SUPPORT DRAWER MEAT SAVOR 42/48 L	1	EA	
51	PM910287	SLIDE MEAT SAVOR R	1	EA	
52	PM910288	SLIDE MEAT SAVOR L	1	EA	





Item	Part No.	Name	Qty	Uom	NOTES
Comments for Part Num. PM910288					
profixappliances@gmail.com on May 3, 2017					
ITEM # 5 SHOULD BE PK930288-DOOR MEATSAVOR ASM AR/BM 36					
53	044504-000	HINGE ASM LOWER BM FO RH	1	EA	
54	043246-000	CAM, DOOR CLOSURE, BTM (SEE PC020228)	1	EA	
55	005449-000	GASKET,ASM,36,BM FF VID# 602711707-17	1	EA	

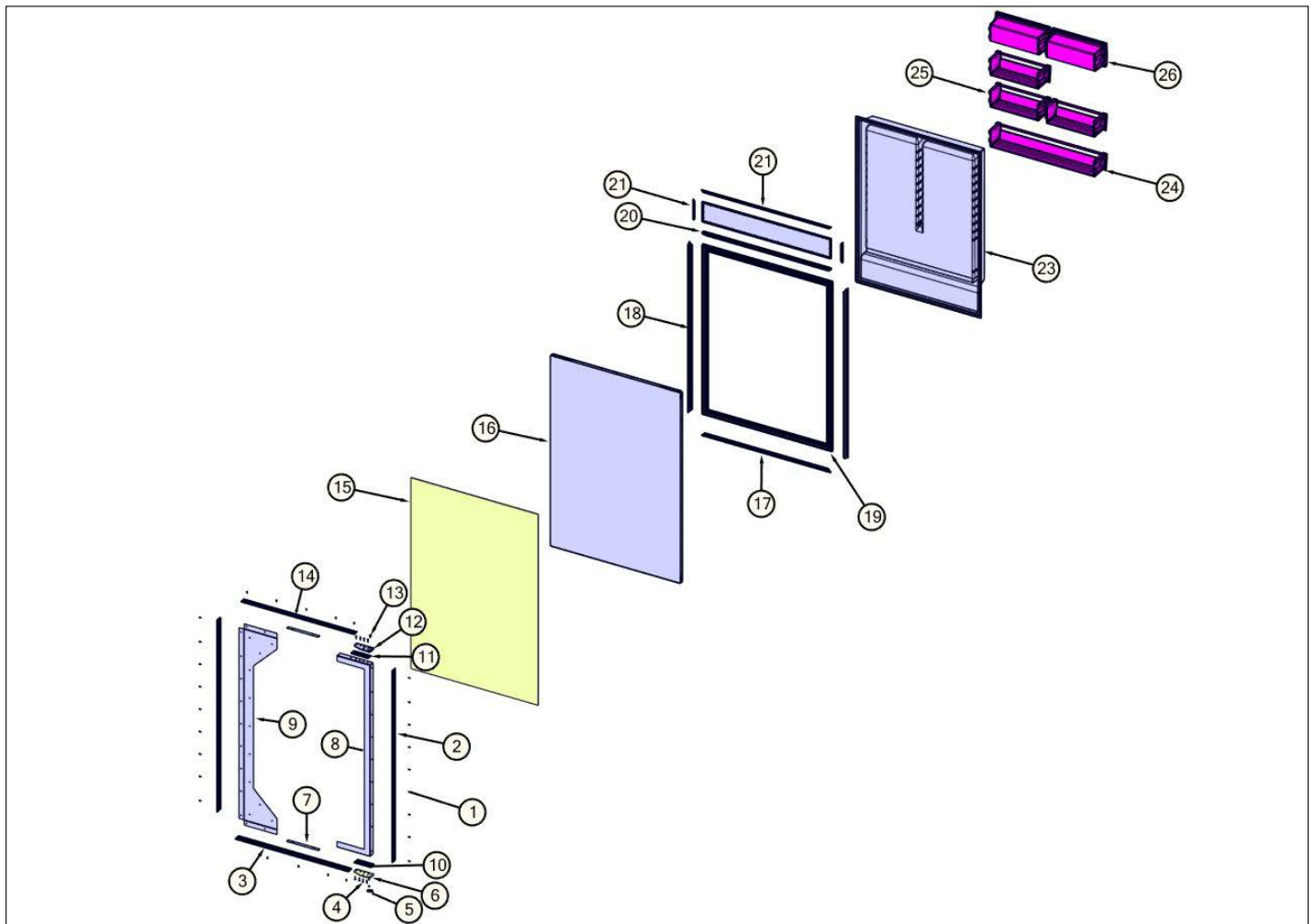
FZ Drawer View





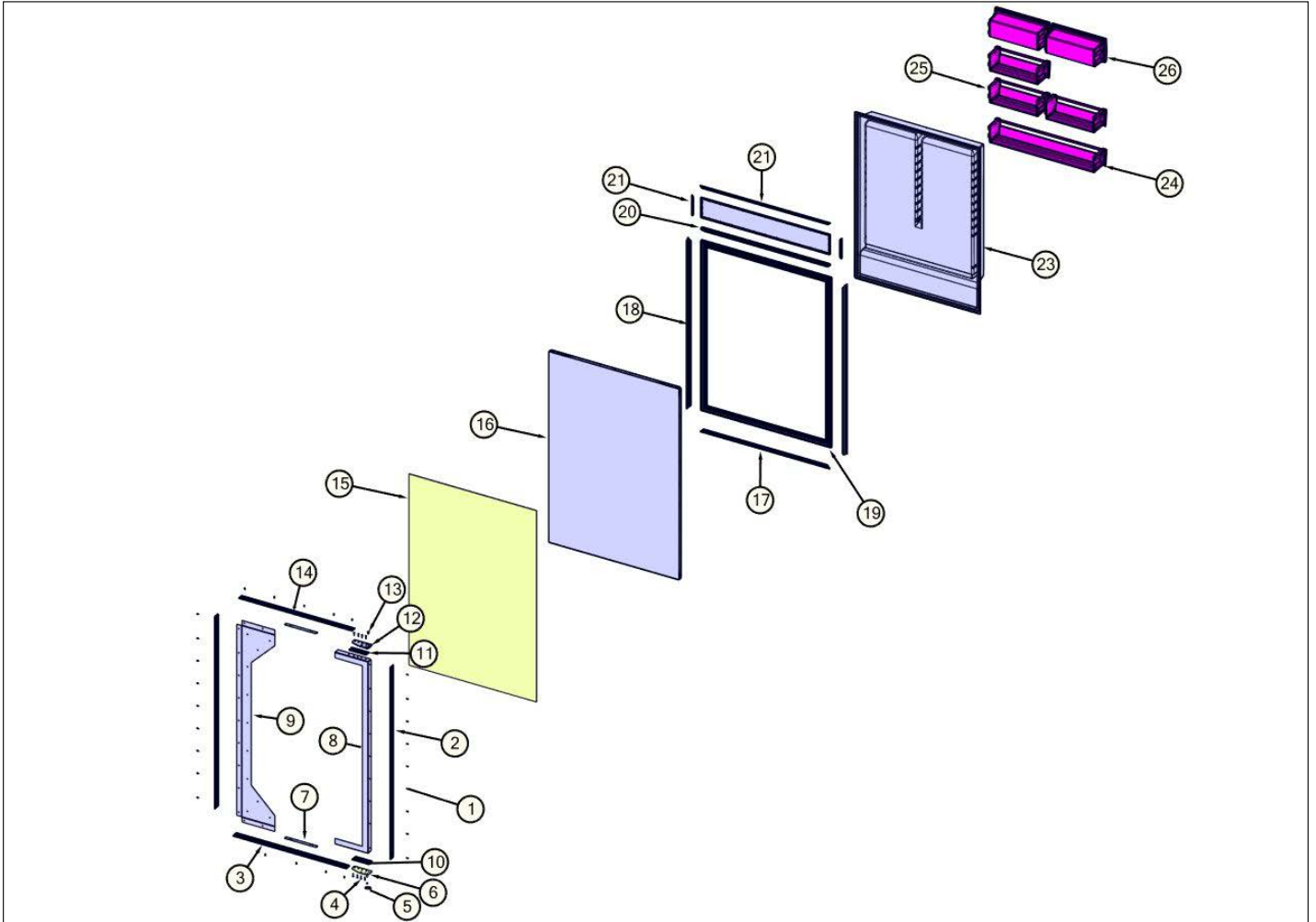
Item	Part No.	Name	Qty	Uom	NOTES
1	008331-000	BRACKET,FOL,BM,FZ	1	EA	
2	003625-000	SHEET,FOAM, BM FZ	1	EA	
3	M0215318	SCREW-SM	22	EA	
4	008400-000	SPACER,BM,FZ,FOL	1	EA	
5	002312-000	EXTRUSION,FOL,SIDE,BM,FZ	2	EA	
6	G3097171	PAN WELD ASM BM 36 FZ	1	EA	
7	PK930054	LINER DOOR 36 BM FZ	1	EA	
8	005450-000	GASKET,ASM,36,BM FZ VID# 602711717-17	1	EA	
9	001275-000	BASKET BOTTOM ASM 36 BM	1	EA	
NI	003001-000	COVER, SCR, RBR, GRAY, FOL, BM	1	EA	

FF Door View





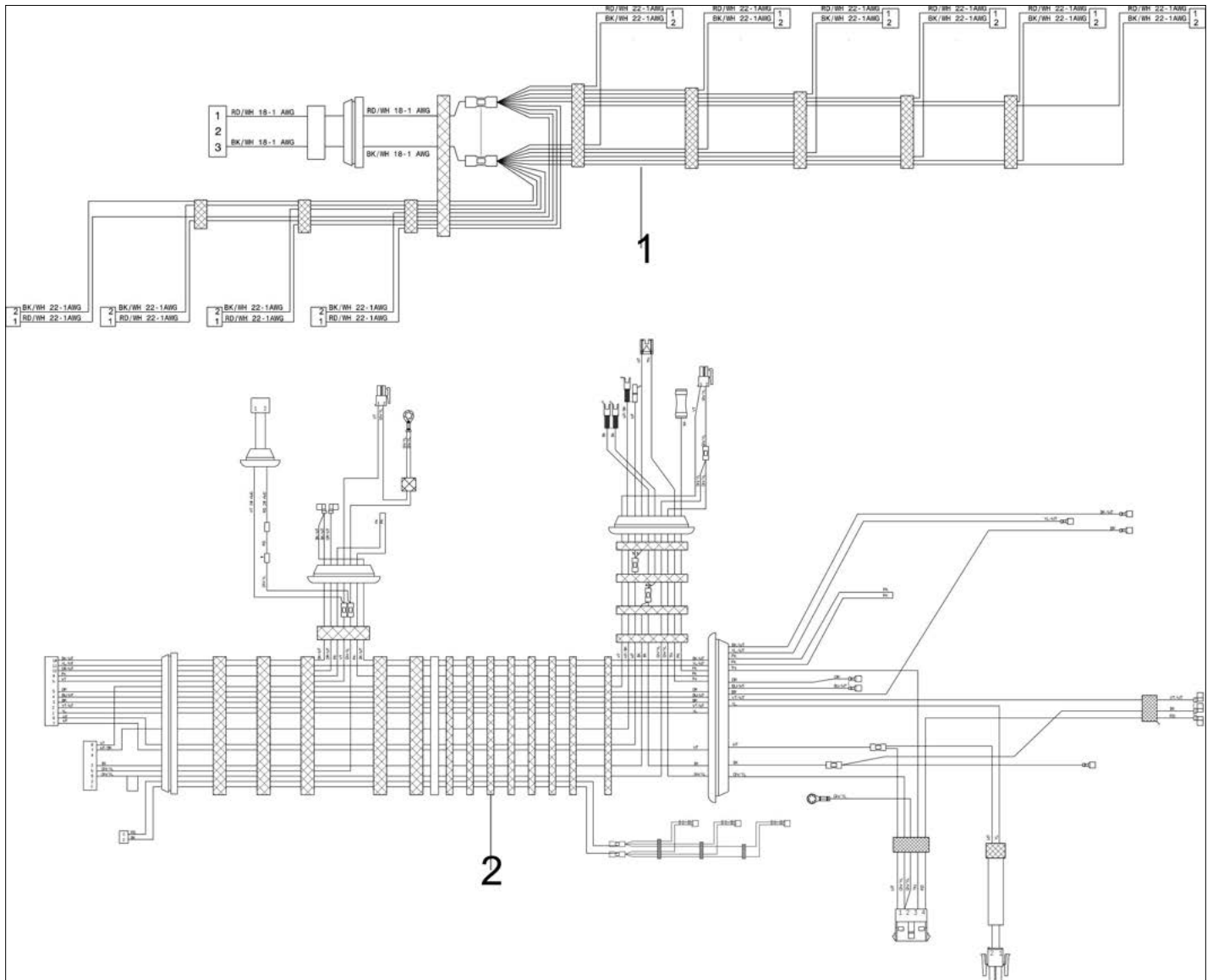
Item	Part No.	Name	Qty	Uom	NOTES
1	M0215318	SCREW-SM	28	EA	
2	002306-000	EXTRUSION,FOL,SIDE,BM,FF	2	EA	
3	002307-000	EXTRUSION,FOL,TOP,36" RIGHT	1	EA	
4	PD920174	10X7/8 PHILLIPS SMA TRI LOBE SA	8	EA	
5	044316-000	CAM, DOOR CLOSURE, TOP (SEE PC020296)	1	EA	
6	044502-000	PIVOT PLATE, LOWER, RH FOL	1	EA	
7	008399-000	SPACER,36,30,48FF,FOL	2	EA	
8	008225-000	BRACKET,FOL HINGE SIDE 36 BM	1	EA	
9	008220-000	BRACKET,FOL HANDLE SIDE 36 BM	1	EA	
10	034902-000	EXTRUSION, FOL, PIVOT PLATE SPACER, RIGHT	1	EA	
11	034903-000	EXTRUSION, FOL, PIVOT PLATE SPACER, LEFT	1	EA	
12	044503-000	PIVOT PLATE ASM RH UP FOL BM	1	EA	
13	PD020068	' #10 - 32 X 1/2"TRUSS. PHIL. M.*SS*	1	EA	
14	002318-000	EXTRUSION,FOL,TOP,36" LEFT	1	EA	
15	003623-000	SHEET,FOAM, BM FF	1	EA	
16	G30915956	PAN WELD ASM 36 BM	1	EA	
17	002810-000	RETAINER,GSKT,LWR,36 AF AR, BM VID# 202722810-17	1	EA	
18	004953-000	RETAINER,GSKT,SIDE,BTM, 36 FF VID# 202724953-17	1	EA	
19	005449-000	GASKET,ASM,36,BM FF VID# 602711707-17	1	EA	
20	004082-000	RETAINER,GSKT,MDL,TOP,36 AF AR, BM VID# 202734082-17	1	EA	
21	002862-000	EXTENSION,DOOR,TOP,RH,EX TRSN VID# 234832862-17	1	EA	
22	PK030553	EXTR DR GASKET 36 TOP VID# 234830553-17	1	EA	
23	PK930256	LINER DOOR BTM 36 FF	1	EA	
24	036884-000	DOORBIN ASM FF 36 FULL	1	EA	
25	036882-000	DOORBIN ASM FF 36 HALF	3	EA	





Item	Part No.	Name	Qty	Uom	NOTES
26	V12097404	Dairy Module Asm (BM)	2	EA	
NI	003001-000	COVER, SCR, RBR, GRAY, FOL, BM	1	EA	

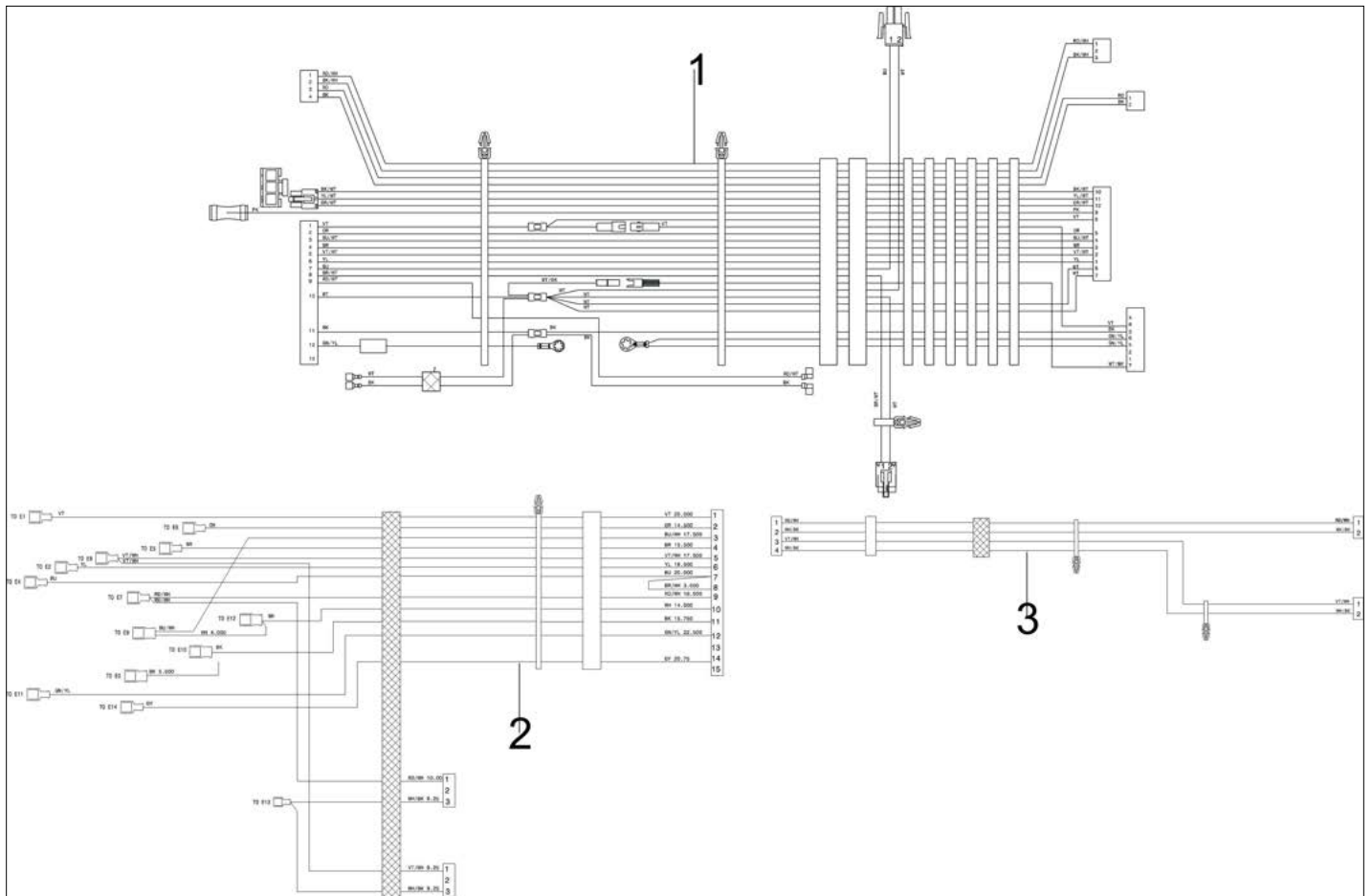
Wiring View 1





Item	Part No.	Name	Qty	Uom	NOTES
1	046484-000	HARNESS, FF, LED LIGHT BM	1	EA	
2	043229-000	HARNESS, FZ, CABINET BM	1	EA	

Wiring View 2





Item	Part No.	Name	Qty	Uom	NOTES
1	043792-000	HARNESS, MC BM	1	EA	
2	048643-000	HARNESS, HIGH VOLTAGE	1	EA	
3	048680-000	HARNESS, POWER SUPPLY, LED, BM/SXS	1	EA	



Appendix A:Pages Index

Bottom View	1
Control View	5
FF Door View	8
FF Interior View	6
FZ Drawer View	7
FZ Interior View	2
Lo Side Asm View	3
Top View	4
Wiring View 1	9
Wiring View 2	10



Appendix B:Parts Index

000247-000	3	023823-000	4
000570-000	4	025433-000	5
001022-000	4	026222-000	1
001275-000	7	026251-000	6
002306-000	8	026540-000	6
002307-000	8	030926-000	4
002312-000	7	031006-000	3
002318-000	8	034902-000	8
002810-000	8	034903-000	8
002862-000	8	036882-000	8
003001-000	7, 8	036884-000	8
003325-000	4	042673-000	6
003471-000	3	042764-000	6
003623-000	8	042766-000	2, 6
003625-000	7	043192-000	6
004082-000	8	043203-000	6
004953-000	8	043229-000	9
005319-000	5	043246-000	6
005396-000	5	043376-000	5
005449-000	6, 8	043792-000	10
005450-000	7	043902-000	2
007301-000	6	044177-000	6
007302-000	6	044214-000	6
007407-000	4	044219-000	6
007979-000	4	044232-000	6
008220-000	8	044316-000	8
008225-000	8	044384-000	6
008331-000	7	044385-000	6
008399-000	8	044479-000	5
008400-000	7	044502-000	8
009216-000	6	044503-000	8
010553-000	6	044504-000	6
011332-000	1	044692-000	2
011666-000	4	044694-000	6
012396-000	6	044723-000	4
013112-000	1, 6	044809-000	6
014190-000	4	044810-000	6
014369-000	4	046235-000	6
016507-000	5	046255-000	6
016930-000	5	046357-000	2, 6
		046358-000	6



046385-000	5	C8983701	3, 6
046386-000	5	G30915956	8
046484-000	9	G3097171	7
047016-000	5	G32913789	1
048643-000	10	G50910016	3
048680-000	10	G50911850	2
057309-000	5	G50914125	1
057852-000	2	G5096494	4
057853-000	2	K20911831	1
057856-000	2	K20915000	5
057857-000	2	K20915952	1
058966-000	3	K2096943	4
059105-000	4	K2098044	1
060890-000	1	K2098096	1
060891-000	1	K2098398	3
068353-000	4	M0104102	1
10250003	2	M0211018	3
10428101	3	M0211021	6
10547001	4	M0215318	7, 8
10699601	4	M0220417	1
10712401	1	M0221523	4
10835901	4	M0238859	5
12063301	3	M0253916	3
12064001	5	M0288120	5
12067301	3	M0322202	4
12070201	6	M0581001	3, 6
12070202	6	PB070288	4
12090301	6	PB970138	6
12106101	2	PB970187	3
12115101	4	PB970188	3, 4
12404901	6	PD020010	4
A3030302	6	PD020038	3
A3030303	6	PD020068	8
A3030361	5	PD020193	5
A3189337	6	PD020194	1, 2, 3, 4, 5
A3189348	6	PD020195	6
A3189370	4	PD020274	1
A4554806	1	PD030146	1
A4554817	1, 5	PD920161	6
A4554818	2	PD920174	8
B20915627	1	PD930112	4



PE050248	1	k2097172	3
PE950121	5	m0104106	1, 5
PE950149	4	m0585504	5
PE970464	5		
PE970609	5		
PJ910030	3		
PK020074	6		
PK030439	6		
PK030540	2		
PK030553	8		
PK930049	2		
PK930050	2		
PK930054	7		
PK930056	2		
PK930158	4		
PK930159	2		
PK930173	6		
PK930174	6		
PK930175	6		
PK930176	6		
PK930177	6		
PK930250	6		
PK930256	8		
PK930278	6		
PK930283	6		
PK930284	6		
PK930286	6		
PK930348	1		
PK930388	6		
PM010619	4		
PM010630	2		
PM910178	3		
PM910287	6		
PM910288	6		
PM910334	6		
V12097404	8		
f20915696	1		
f2096507	4		
f2097740	4		
k2097168	3		
k2097169	3		