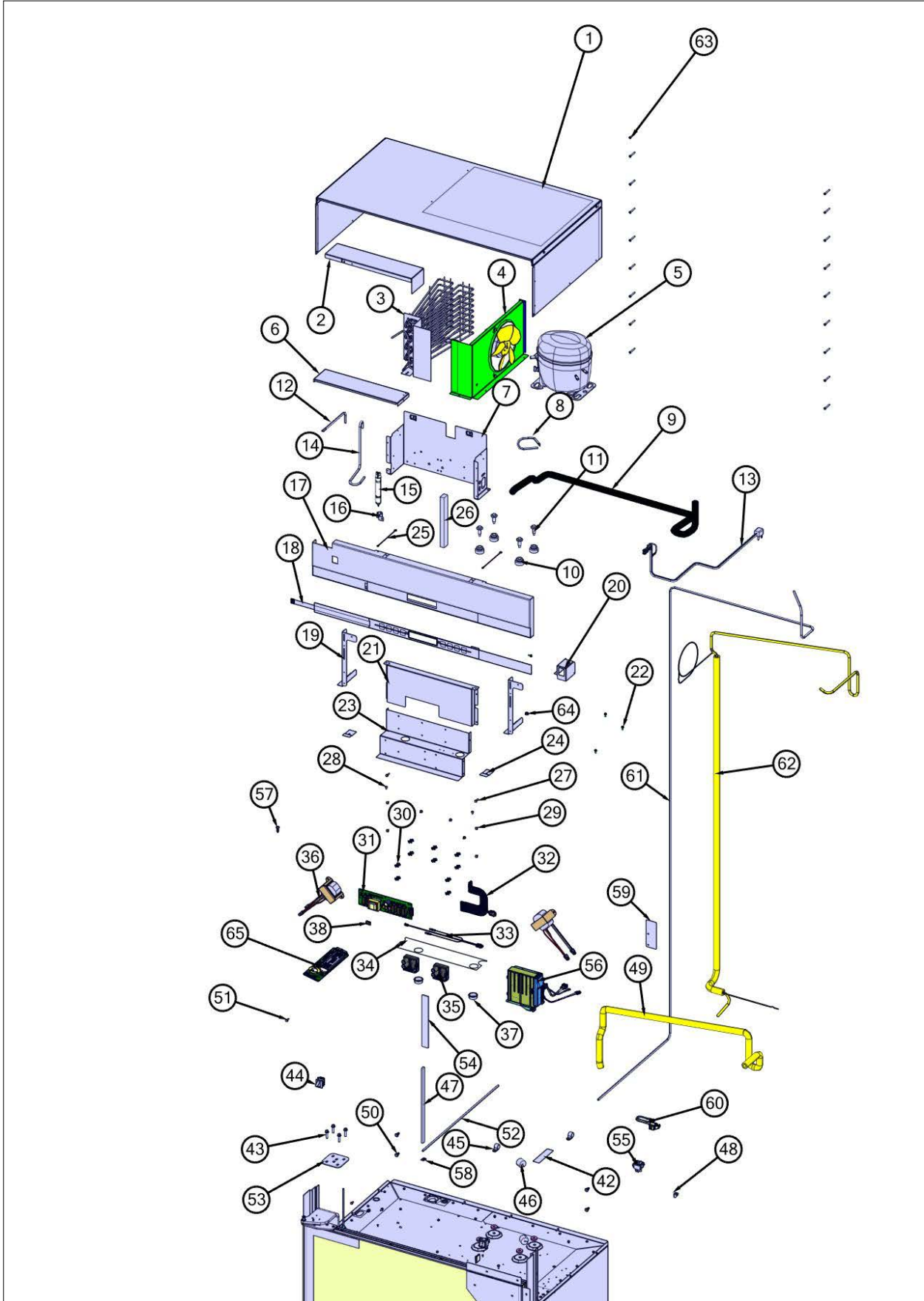


FDBB5363L

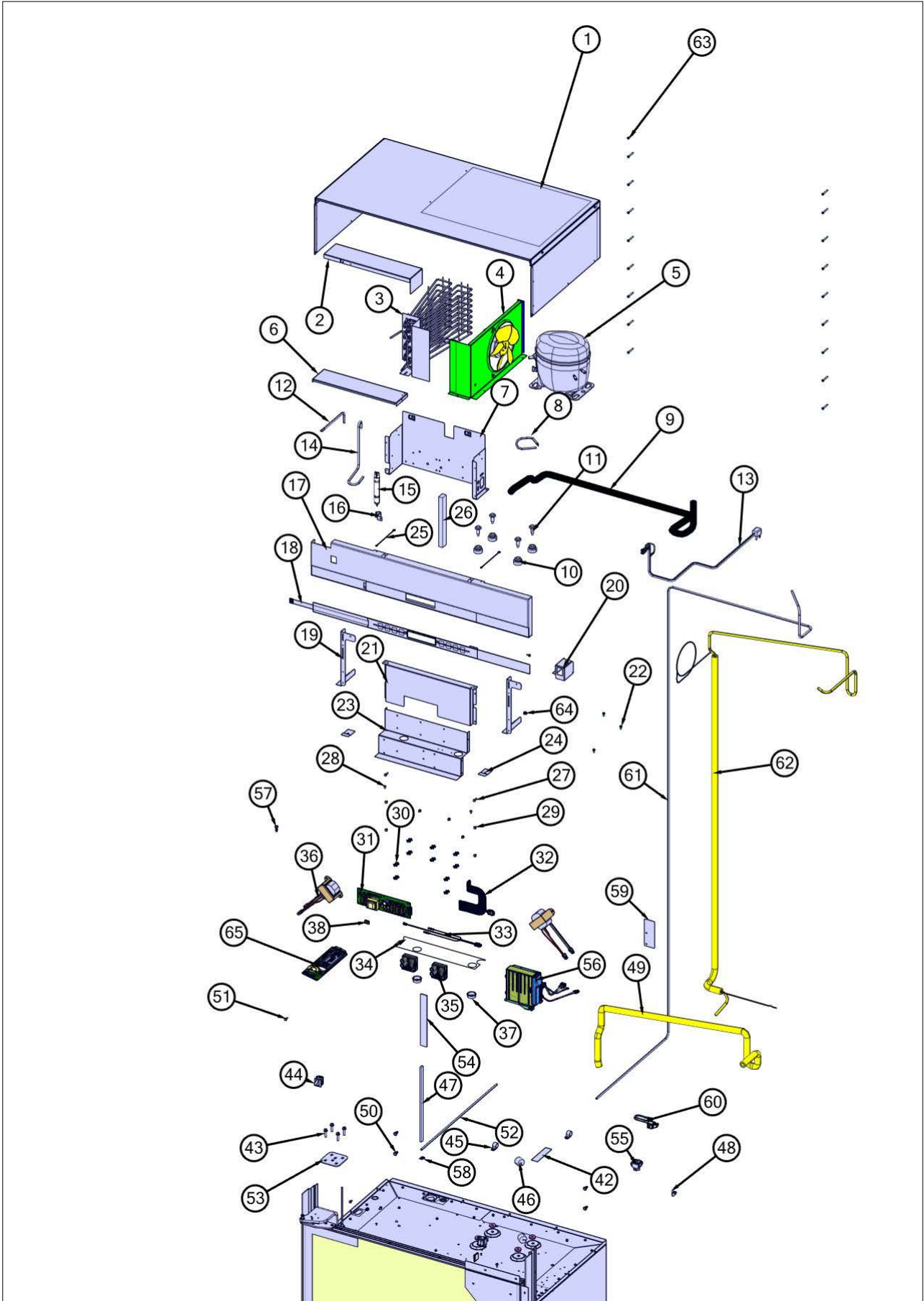
UNIT TOP VIEW	1
UNIT BOTTOM VIEW	2
FF INTERIOR VIEW	3
FZ INTERIOR VIEW	4
DOOR AND GRILLE VIEW	5
WIRING 1	6
WIRING 2	7
Appendix A:Pages Index	A
Appendix B:Parts Index	B

UNIT TOP VIEW



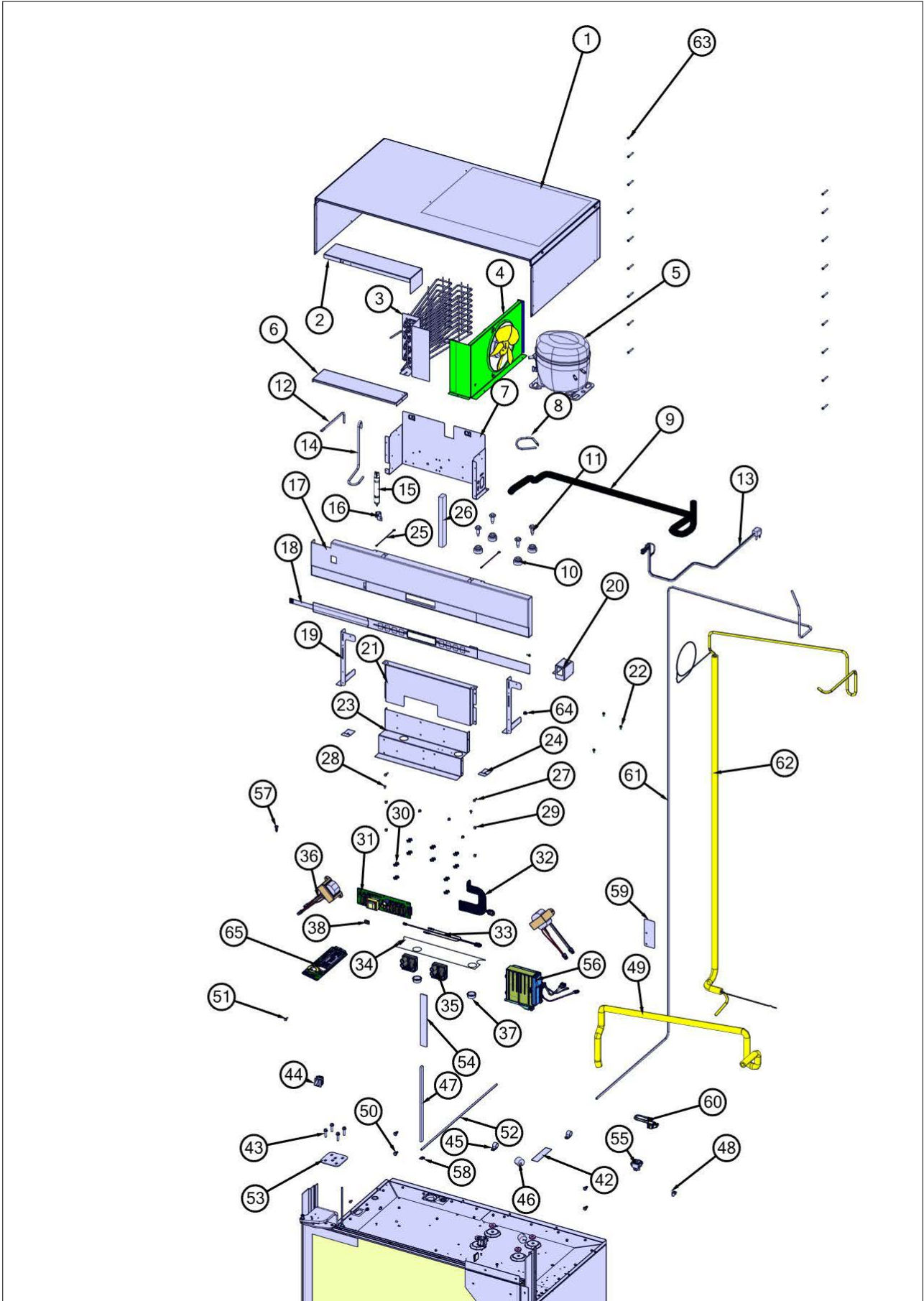


Item	Part No.	Name	Qty	Uom	NOTES
1	007979-000	MC COVER ASM BI 36	1	EA	
2	014369-000	DIVERTER AIR HI SIDE 36	1	EA	
3	068353-000	CONDENSER ASM W/COPPER ENDS	1	EA	
4	G5096494	COND. FAN ASSY	1	EA	
5	PM010619	COMPRESSOR VCC	1	EA	
<p>Comments for Part Num. PM010619</p> <p>profixappliances@gmail.com on Apr 21, 2020 SUB TO 062775-000 COMPRESSOR KIT</p>					
6	K20915000	CONTROL BOX TOP	1	EA	
7	047016-000	MOTOR CONTROL BOX	1	EA	
8	F2096507	TUBE-PROCESS GRN	1	EA	
9	PB970188	INSULATION TUBING 45.000 5 SERIES	1	EA	
10	10835901	GROMMET RUBBER V10835901	4	EA	
11	M0221523	SCREW - SHLDR	4	EA	
12	F2097740	TUBE PROCESS	1	EA	
13	059105-000	CORD, PWR, BM, LEAD TERMINALS	1	EA	
14	003325-000	TUBE DRIER COND	1	EA	
15	030926-000	DRIER - HIGH SIDE	1	EA	
16	10547001	CLIP-DRIER V10547001	1	EA	
17	016506-000	PANEL CONTROL BM 36 L	1	EA	
18	043376-000	OVERLAY, SW, ASM, BM 36	1	EA	
19	014190-000	BRACKET, GRILLE SUPPORT	2	EA	
20	025433-000	BRACKET,SW,POWER	1	EA	
21	016930-000	MOTR CONTROL BOX FRONT	1	EA	
22	PD020010	10 X 3/8 GREEN GROUNDING SCREW	4	EA	
23	044479-000	MOTOR BRACKET PCB	1	EA	
24	K2096943	PANEL BRACKET	2	EA	
25	12064001	SUPP-CONT PANEL	2	EA	
26	A3030361	GASKET RED	1	EA	





Item	Part No.	Name	Qty	Uom	NOTES
27	M0238859	SCREW-SHLDR	2	EA	
28	M0224128	SCREW-SM	2	EA	
29	M0104106	CLIP-CORD VM0104106	9	EA	
30	M0585504	SUPPORT	10	EA	
31	005319-000	POWER CONTROL BOARD ASM 5 SERIES	1	EA	
Comments for Part Num. 005319-000					
boltz on Apr 12, 2018					
See TR-0056-SP Bulletin					
32	PE970464	HARNESS LOW VOLT 5 SERIES	1	EA	
33	PE970609	HARNESS CONTROL BOARD 5 SERIES	1	EA	
34	005396-000	FILM,PROTECTIVE	1	EA	
35	046385-000	CIRCUIT, LED SOFT START 5 SERIES	2	EA	
36	046386-000	TRANSFORMER, LED SOFT START 5 SERIES	2	EA	
37	A4554817	BUSHING-SNAP VA4554817	2	EA	
38	M0288120	NUT-SPEED VM0288120	1	EA	
42	036356-000	LABEL, WARRANTY VOID WARNING	1	EA	Not available online / Call for pricing and availability
43	000570-000	FASTENER, BOLT, 1/4-20 IHXWS 1" S ZN SER	4	EA	
44	PE960121	SWITCH	1	EA	Not available online / Call for pricing and availability
45	023823-000	CLIP, TUBE	2	EA	
46	10699601	DAMPER-TUBING .8	2	EA	
47	PB070288	1/4" X 1/2" CLOSED CELL SPONGE	.08ft	EA	
48	PD930112	CLAMP-CORD	2	EA	
49	PB970187	INSULATION TUBING 57.500 WC, 5 SERIES	1	EA	
50	M0581001	GROMMET-SCREW VM0581001	16	EA	
51	PD020195	SCR 8-18 X 5/8	18	EA	





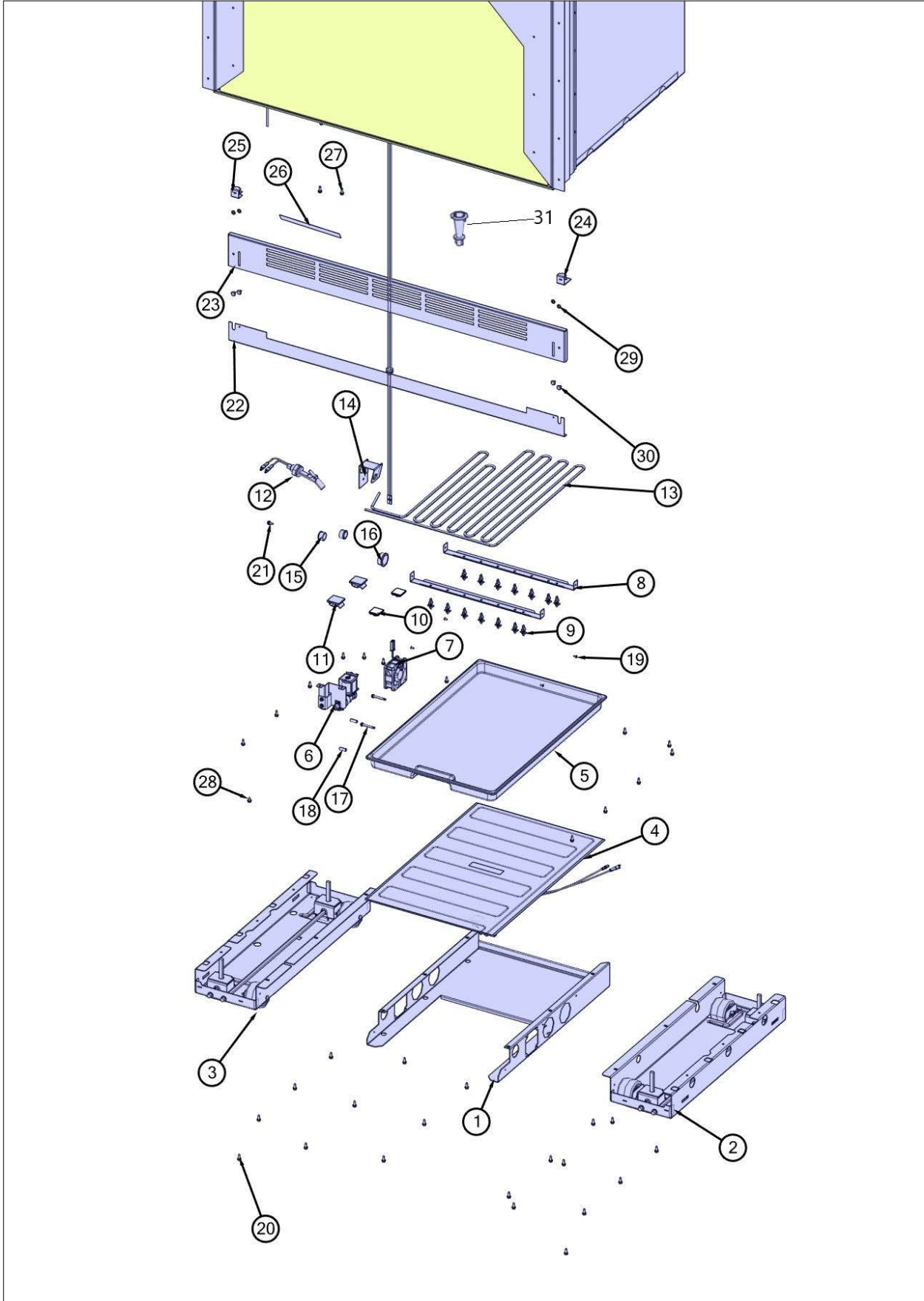
Item	Part No.	Name	Qty	Uom	NOTES
52	044034-000	TUBING, ROLL, PEX 1/4"	3.84ft	EA	
53	K10914192	SPACER COBRA BTM FOL	1	EA	
54	A3189370	GASKET-FOAM VA3189370	3	EA	
55	PE950149	SWITCH POWER	1	EA	
56	050926-000	INVERTER, CMPR, ASM	1	EA	
57	049666-000	SCREW, THREAD ROLLING PAN HEAD	2	EA	
58	M0102804	CLAMP-TUBE VM0102804	2	EA	
59	000975-000	SUPPORT, FAN SWITCH	1	EA	
60	058966-000	THERMOSTAT, SNAP ACTION, 55 OPEN 20 CLOSE	1	EA	
61	001022-000	TUBE DISCHARGE BM 36	1	EA	
62	031006-000	HEAT EXCHANGER ASM BM 36	1	EA	
63	M0238535	SCREW-SM	10	EA	
64	12115101	CLAMP-TUBE V12115101	1	EA	
65	057309-000	BOARD, LOW VOLTAGE	1	EA	

Comments for Part Num. 057309-000

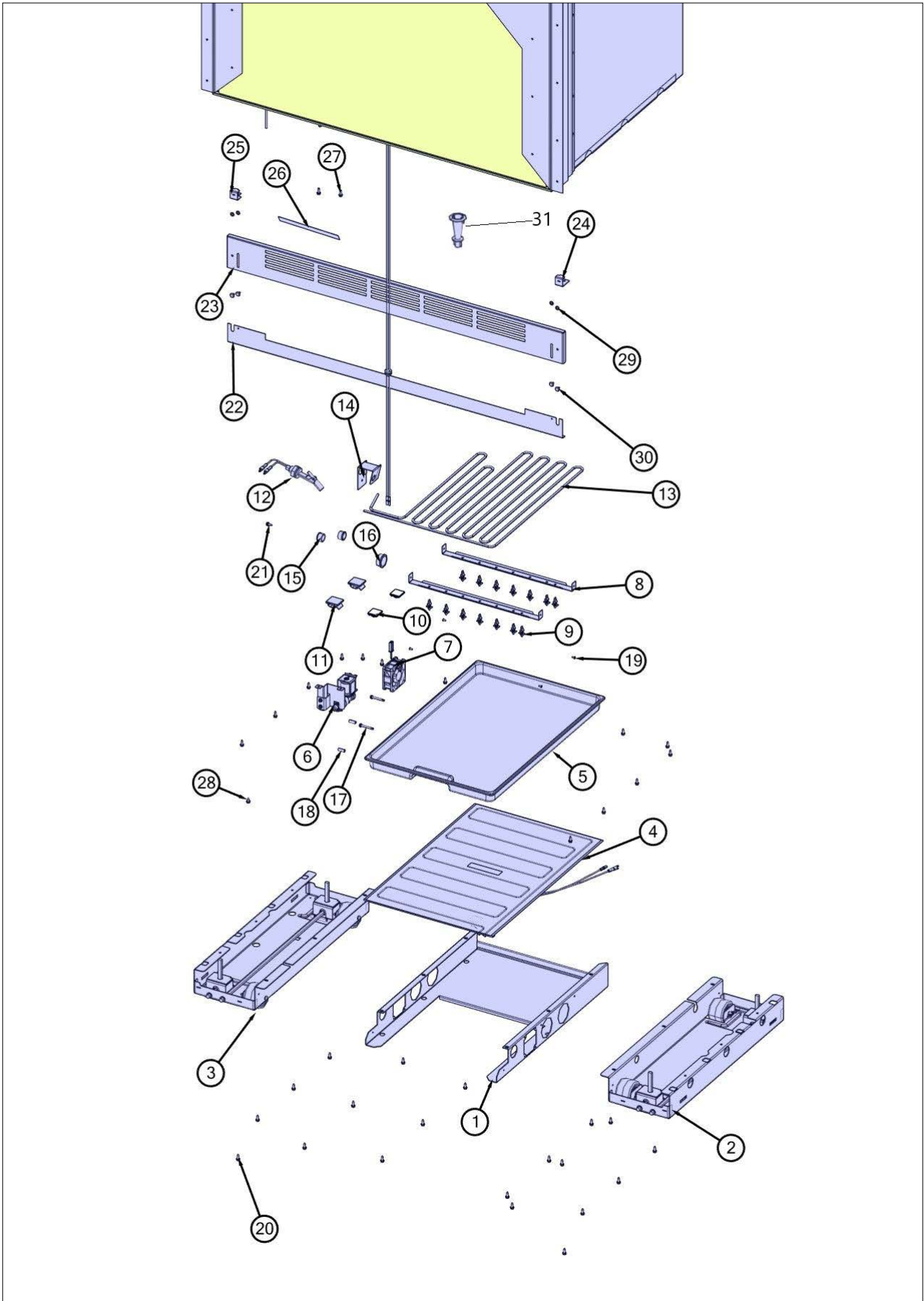
gboltz@VikingRange.com on Apr 29, 2019

SEE TTR-0010 for installation

UNIT BOTTOM VIEW



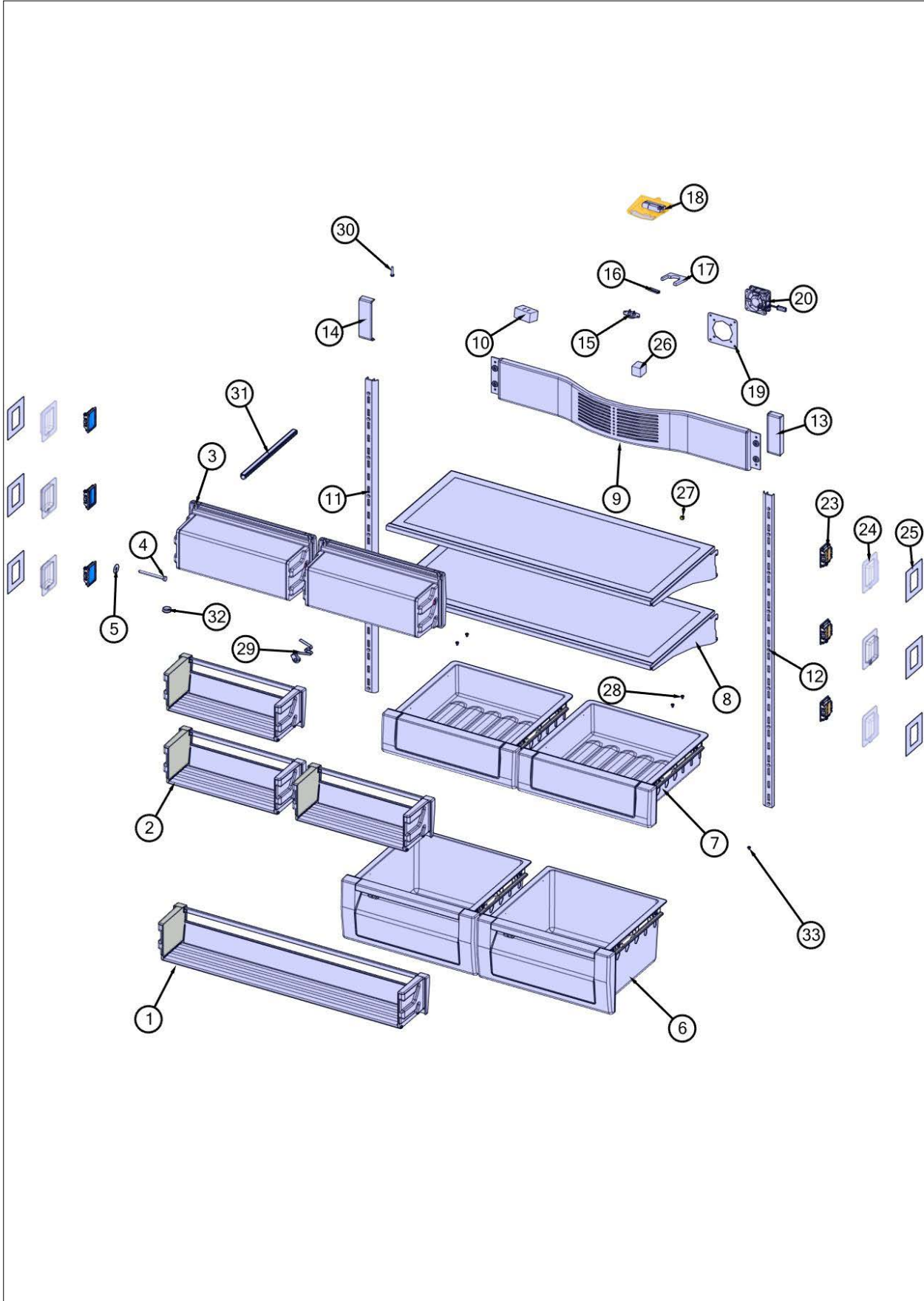
Item	Part No.	Name	Qty	Uom	NOTES
1	K20915952	SHIELD BOTTOM DRAIN	1	EA	
2	060890-000	LEVELER, MODULE, R	1	EA	
3	060891-000	LEVELER, MODULE, L	1	EA	
4	G50911853	PAN HEATER	1	EA	
5	PK930348	PAN DRAIN	1	EA	
6	G32913789	BRKT & VALVE H2O SNGL ASM	1	EA	
7	013112-000	NOISE REDUCTION FAN KIT	1	EA	
8	K20911831	BRACKET CONDENSATE SUPPORT	2	EA	
9	PD030146	STAND OFF LOCK CLIP	14	EA	
10	M0104106	CLIP-CORD VM0104106	2	EA	
11	M0104102	CLIP-CORD RED	2	EA	
12	PE050248	FLOAT SWITCH HORIZONTAL	1	EA	
13	F20915696	SERPENTINE - DRAIN PAN	1	EA	
14	B20915627	BRACKET HORIZ FLOAT SWITCH	1	EA	
15	A4554806	BUSHING-SNAP VA4554806	2	EA	
16	A4554817	BUSHING-SNAP VA4554817	1	EA	
17	PD020274	SCR SLTD HEX WSHR HD 8X1.250 BT	2	EA	
18	011332-000	SPACER,NYL	2	EA	
19	PC040010	POP RIVET	4	EA	
20	PD020194	SCR, HEX SRTD WSHR HD, #8-18 X 1/2	23	EA	
21	M0253916	SCR 8-32 SHXW 3/8 TRI-LOBE	2	EA	
22	044137-000	KICKPLATE, LWR	1	EA	
23	044139-000	TOE GRILLE- VENTED BM 36	1	EA	
24	K2098044	BRKT GRILLE SUPPORT	1	EA	
25	K2098096	BRKT GRILLE SUPPORT	1	EA	
26	036361-000	LABEL, CONDENSATE FAN-SERVICER	1	EA	Not available online / Call for pricing and availability
27	M0220417	SCREW-TC	3	EA	
28	M0232929	SCREW-SE	5	EA	
29	40370P01	NYLON FLAT WASHER V40370P01	4	EA	



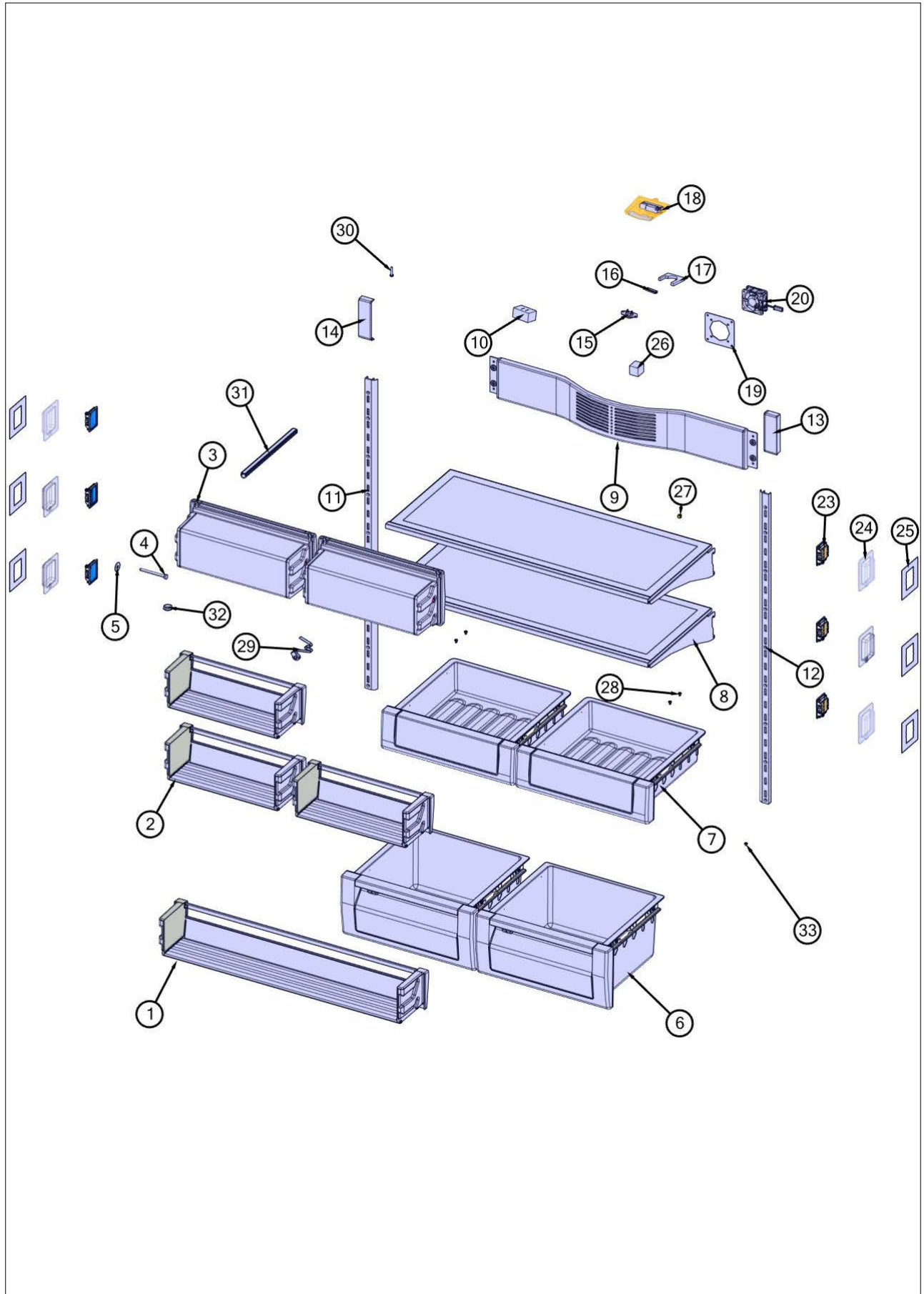


Item	Part No.	Name	Qty	Uom	NOTES
30	PD020032	SRW-8(A)X3/8"PH.WFR HD 7/16DIA*NICL	4	EA	
31	PK030540	DRAIN TUBE	1	EA	

FF INTERIOR VIEW



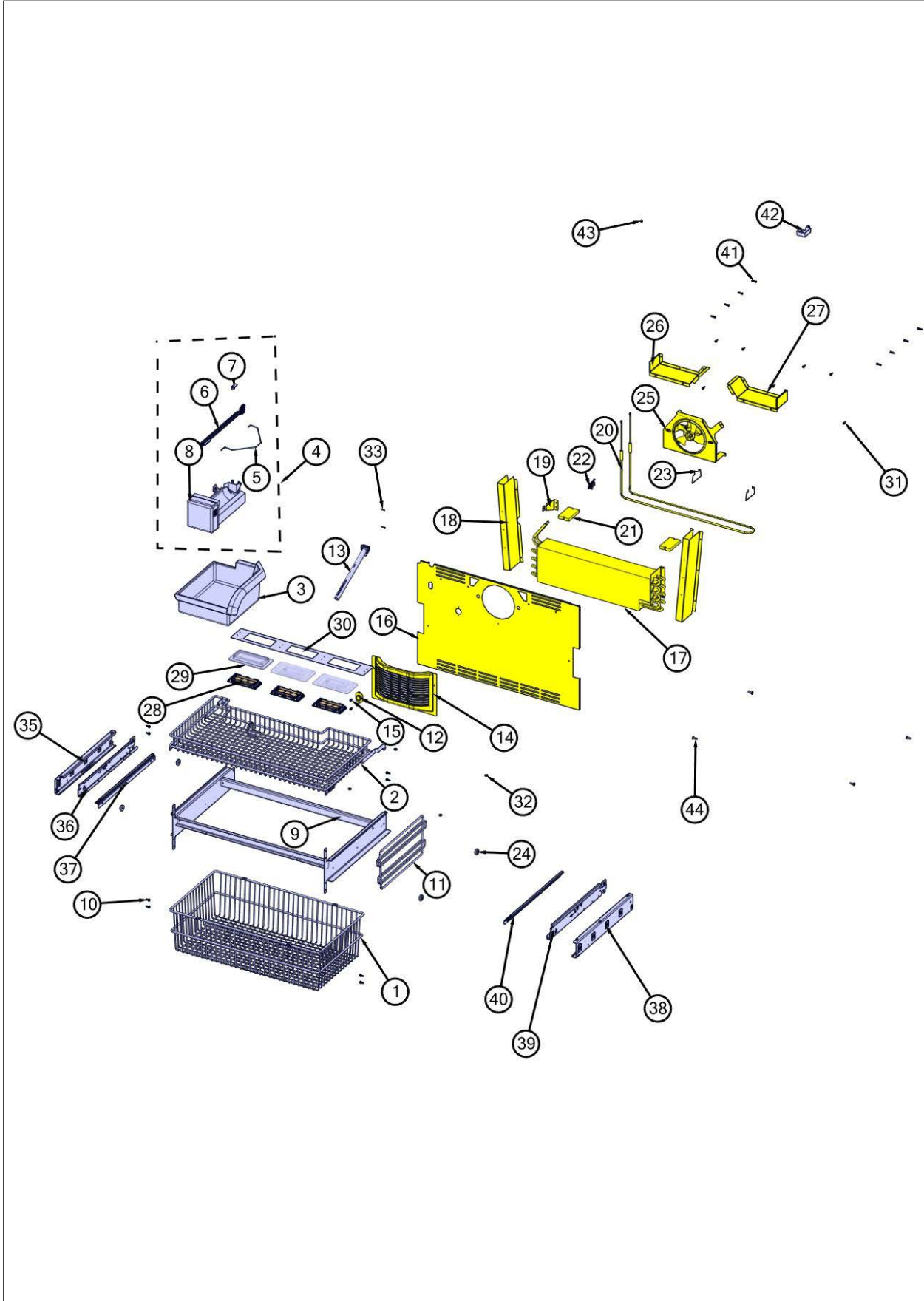
Item	Part No.	Name	Qty	Uom	NOTES
1	036884-000	DOORBIN ASM FF 36 FULL	1	EA	
2	036882-000	DOORBIN ASM FF 36 HALF	3	EA	
3	V12097404	Dairy Module Asm (BM)	2	EA	
4	M0223509	SCREW-LAG	4	EA	
5	M0270510	WASHER	5	EA	
6	012396-000	DRAWER,PRODUCE,ASM 36 AR/BM	2	EA	
7	G50912334	DRAWER DELI ASM AR 36	2	EA	
8	042673-000	SHELF, GL, 36" NANO SHELF ASSY	2	EA	
9	044177-000	COVER- REF FAN	1	EA	
10	PB970138	INSULATION THERMISTOR BM 36 FF	1	EA	
11	071767-006	LADDER, SIDE, BTM, 36, LH	1	EA	
12	071768-006	LADDER, SIDE, BTM, 36, RH	1	EA	
13	12070201	CAP-R FAN COVER V12070201	1	EA	
14	12070202	CAP-L FAN COVER V12070202	1	EA	
15	C8983701	THERMISTOR	1	EA	
16	12090301	CLIP-S V12090301	1	EA	
17	12404901	GASKET-THERM V12404901	1	EA	
18	044810-000	HOUSING, PCI, ASM	1	EA	
19	007302-000	BRACKET,FAN	1	EA	
20	013112-000	NOISE REDUCTION FAN KIT	1	EA	
21	042766-000	LED LIGHT, 8-POINT	2	EA	
22	046357-000	LED CUP ASSY (8)	2	EA	
23	042764-000	LED LIGHT, 3-POINT	6	EA	
24	046358-000	LED CUP ASSY (3)	6	EA	
25	044694-000	LED SHIM, SMALL SINGLE	6	EA	
26	008202-000	BLOCK,FOAM	3	EA	
27	PD020038	SCREW-#10 X 3/8 HEX WH.HD.T(F)GREEN	2	EA	
28	PD920162	SCR 8-16 PLASTITE PNP 1/4 S	6	EA	
29	PM910334	ROLLER TENSION	1	EA	
30	M0211021	SCREW-SM	10	EA	
31	10250003	COVER-WIRING V10250003	1	EA	





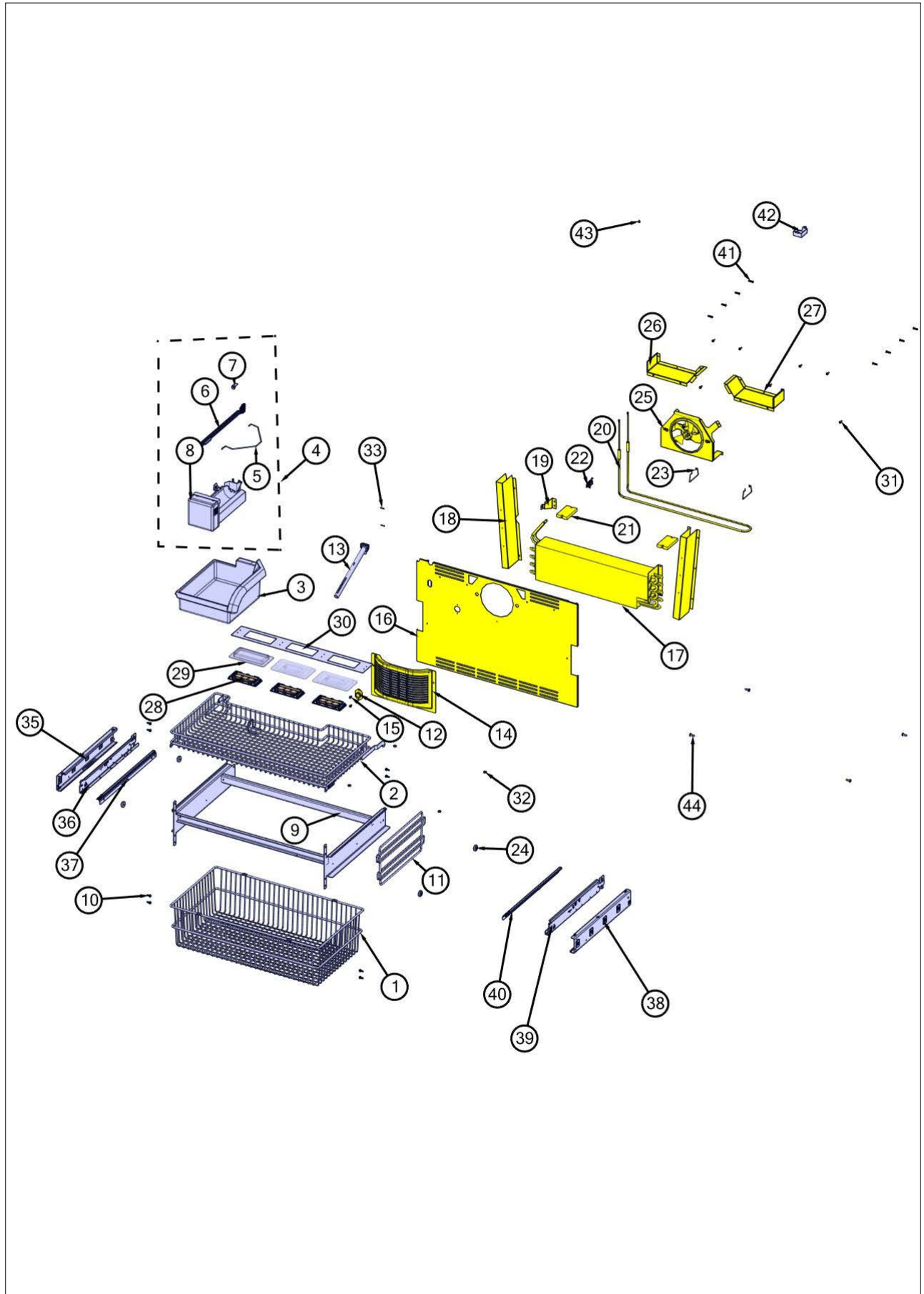
Item	Part No.	Name	Qty	Uom	NOTES
32	A4554818	BUSHING-SNAP VA4554818	1	EA	
33	M0223729	SCREW-SM #	2	EA	

FZ INTERIOR VIEW



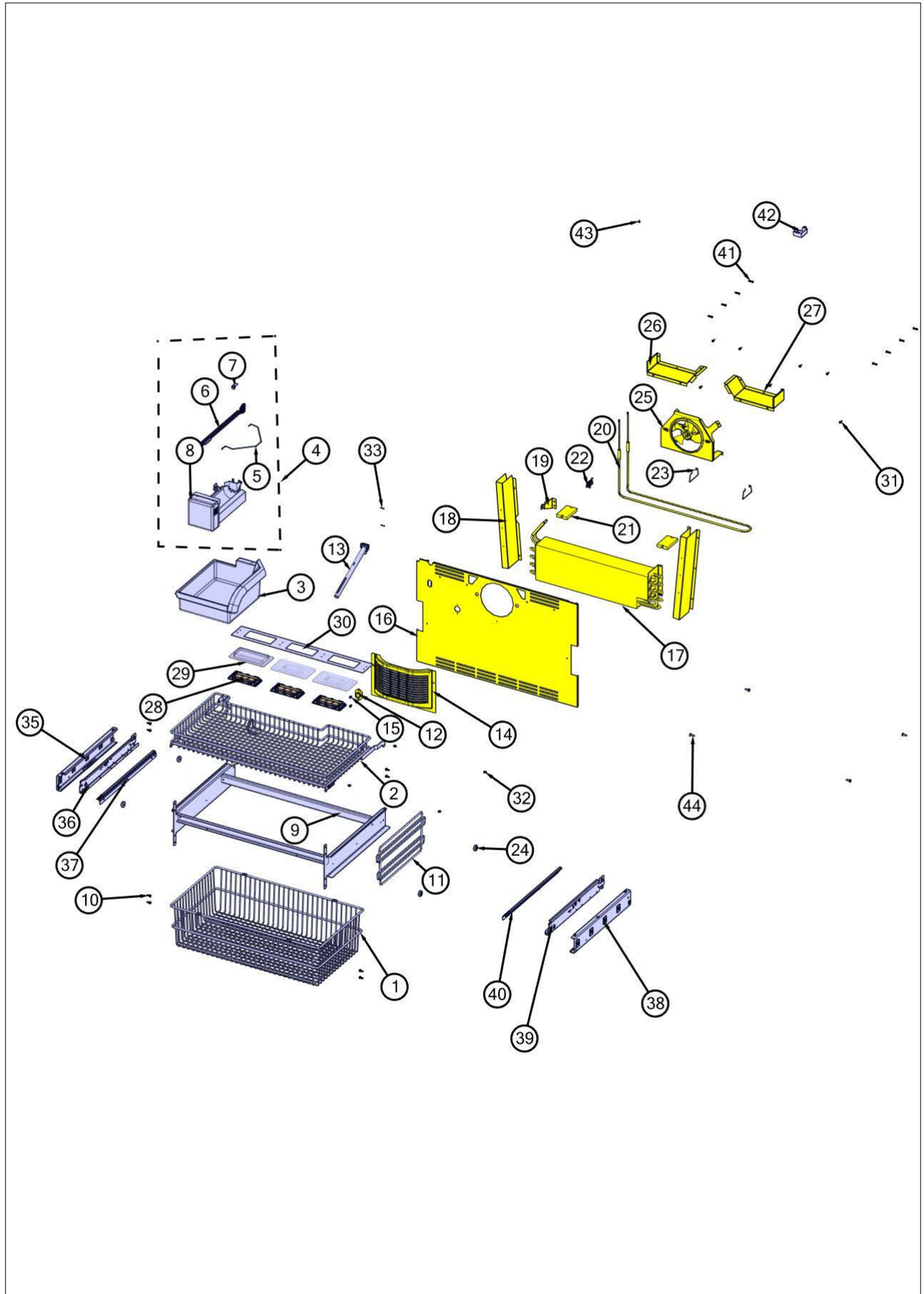


Item	Part No.	Name	Qty	Uom	NOTES
1	PM910172	BASKET BOTTOM 36 BM FZ	1	EA	
2	PM010630	BASKET, TOP	1	EA	
3	PK930056	PAN ICE (BM)	1	EA	
4	G50911850	IM Assy NLA See TR-0023C-SP	1	EA	TR-0023C-SP
<p>Comments for Part Num. G50911850</p> <p>bradleysapplianceservice@shaw.ca on Jan 7, 2016 ICE MAKER BAIL ARM ACCESSORY KIT NUMBER 002251-000 -BAIL ARM (BOTTOM MOUNT) -BAIL ARM (DISPENSER AND NON-DISPENSER SIDE BY SIDE, ALL FREEZER) -ICE MAKER SHUTOFF WIRE</p> <p>ICE MAKER KIT NUMBER 002252-000 -ICE MAKER -ICE MAKER COVER -ICE MAKER LABEL -FILL CUP CLIP</p> <p>ICE MAKER WIRE HARNESS KIT NUMBER 002253-000 -ICE MAKER HARNESS -WIRE CLAMP</p> <p>REF: TECHNICAL BULLITEN: TR-0023C-SP</p>					
5	PM910220	ARM-IM SHUTOFF	1	EA	
6	023112-000	HARNESS,ICE MAKER	1	EA	
7	PD030155	CLIP-IM FILL CUP	1	EA	
8	057731-000	ICEMAKER 7SERIES BM, 5 SERIES	1	EA	
9	PM010622	FRAME BASKET ASM 36 BM	1	EA	
10	023005-000	SCREW-SM	8	EA	
11	003995-000	DIVIDER, BOT BASKET	1	EA	
12	C8983701	THERMISTOR	1	EA	
13	009216-000	FILL TUBE BM	1	EA	
14	12063301	COVER-FZ FAN V12063301	1	EA	
15	M0253916	SCR 8-32 SHXW 3/8 TRI-LOBE	2	EA	
16	000247-000	COVER, EVAP, BM	1	EA	





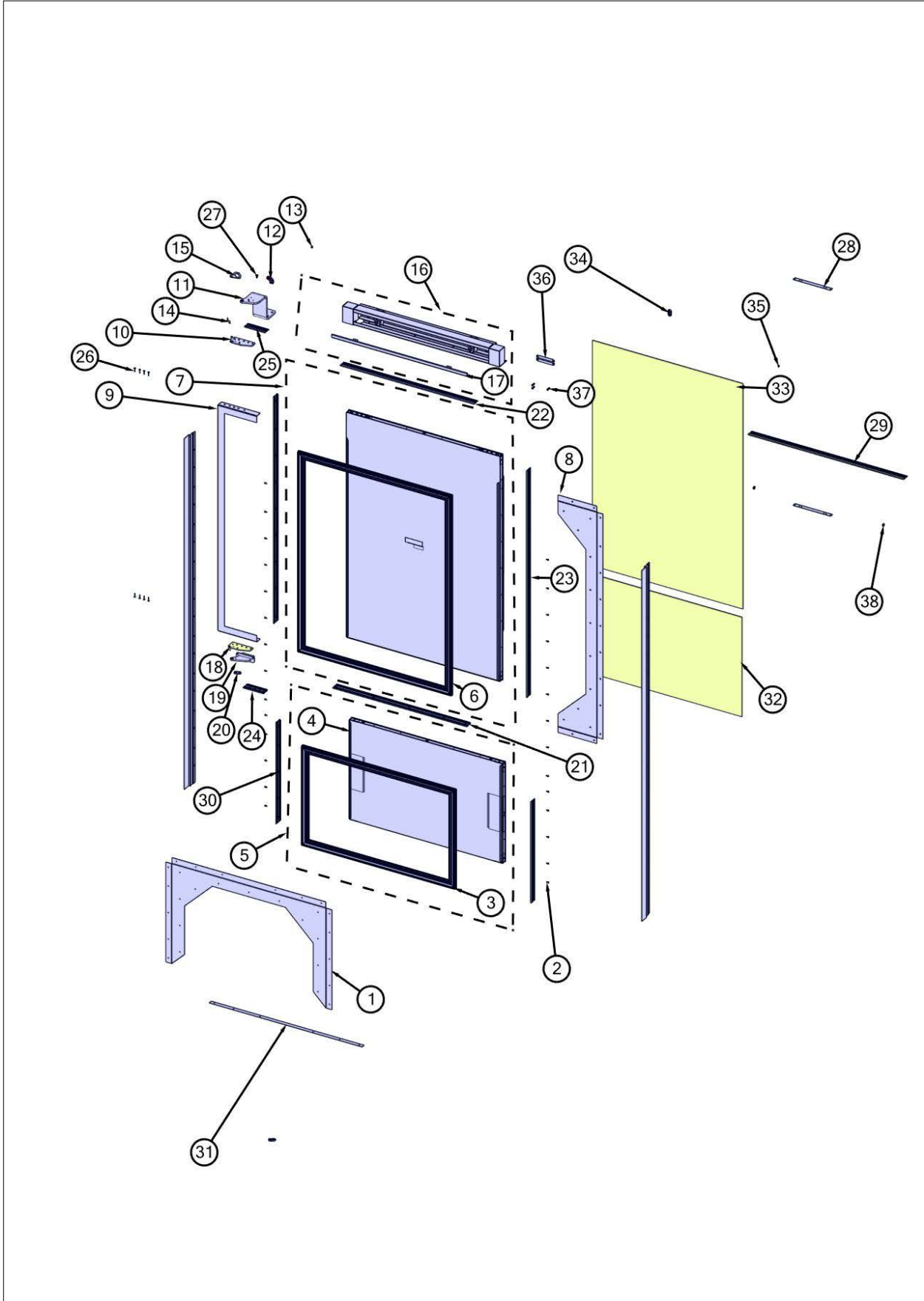
Item	Part No.	Name	Qty	Uom	NOTES
17	PM910178	BOTTOM MOUNT EVAP	1	EA	
18	K2097172	RETURN AIR CHANNEL	2	EA	
19	K2098398	36" BM SWITCH MOUNTING BRKT	1	EA	
20	PJ910030	BOTTOM MOUNT EVAP HEATER	1	EA	
21	12067301	BLOCK-L EVAP V12067301	2	EA	
22	003471-000	SWITCH SNAP-ACTION BM 36	2	EA	
23	10428101	CLIP-EVAP HTR V10428101	2	EA	
24	12088001	ROLLER-UP BSKT	4	EA	
25	G50910016	FAN EVAP ASM BM 36	1	EA	
26	K2097168	BRKT DIVIDER L	1	EA	
27	K2097169	BRKT DIVIDER R	1	EA	
28	042766-000	LED LIGHT, 8-POINT	3	EA	
29	046357-000	LED CUP ASSY (8)	3	EA	
30	044692-000	LED SHIM, 24"	1	EA	
31	M0211018	SCREW-SM	7	EA	
32	M0274067	WASHER-NYLON	4	EA	
33	M0213105	SCREW-SM	2	EA	
34	001091-000	NO.8-32X1/4 FLAT PHIL HD TAPTITE	6	EA	
35	057852-000	OUTER MEMBER, SLIDE, BM 36, LH (83101)	1	EA	
36	057857-000	MIDDLE MEMBER, SLIDE, BM 36, LH (83104)	1	EA	
37	057854-000	INNER MEMBER, SLIDE, BM 36, LH	1	EA	Not available online / Call for pricing and availability
38	057853-000	OUTER MEMBER, SLIDE, BM 36, RH (83102)	1	EA	
39	057856-000	MIDDLE MEMBER, SLIDE, BM 36, RH (83103)	1	EA	
40	057855-000	INNER MEMBER, SLIDE, BM 36, RH	1	EA	Not available online / Call for pricing and availability
41	043902-000	10-32 X 3/4 TRILOBE (T20) FLAT HEAD	8	EA	
42	12106101	COVER-WIRING V12106101	1	EA	



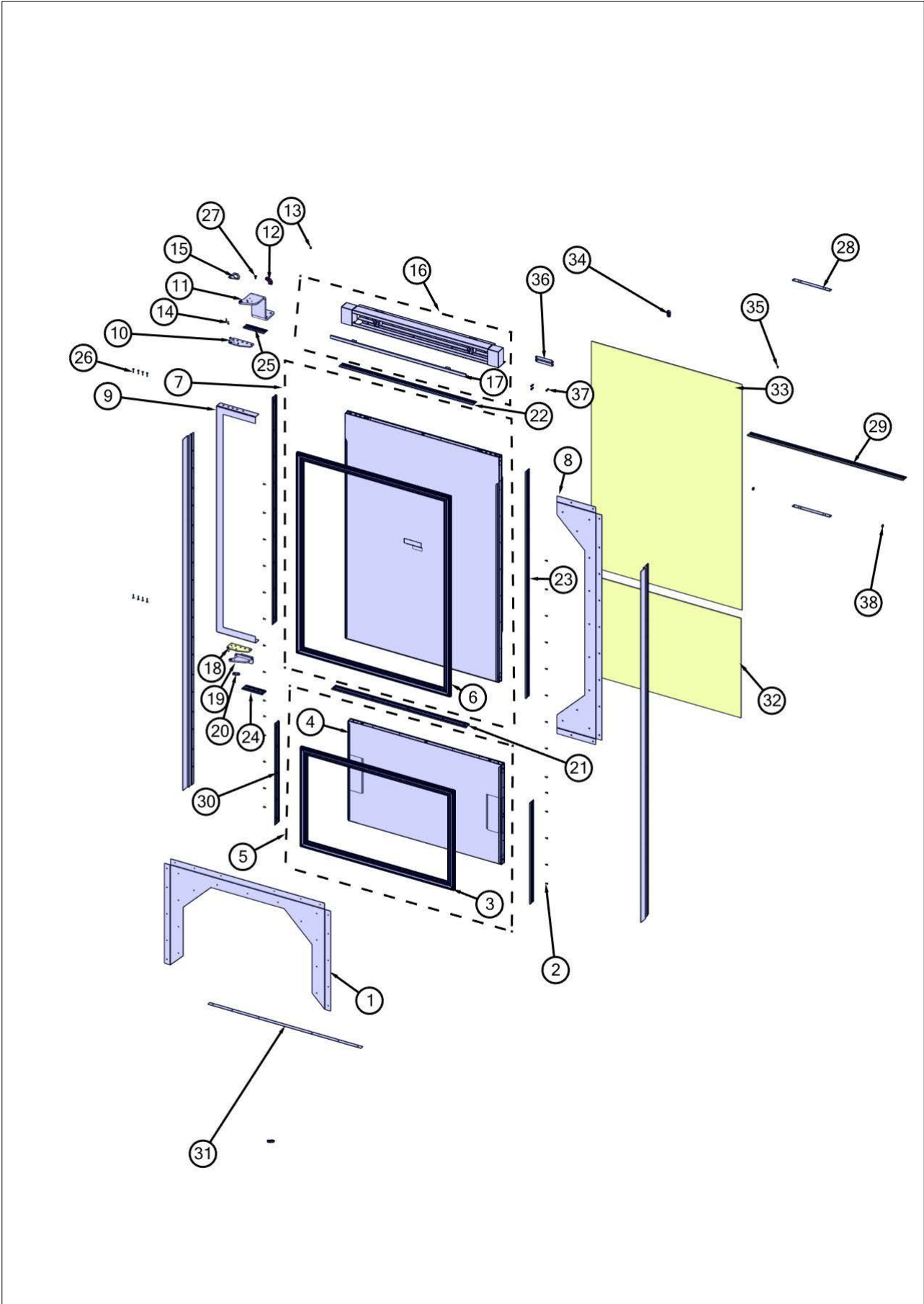


Item	Part No.	Name	Qty	Uom	NOTES
43	PD020187	SCR 8-32 MCH HXWS 1/4 S ZN	1	EA	
44	PD020189	SHSCR 12/28 AB SKT .641	4	EA	

DOOR AND GRILLE VIEW



Item	Part No.	Name	Qty	Uom	NOTES
1	008331-000	BRACKET,FOL,BM,FZ	1	EA	
2	M0215318	SCREW-SM	28	EA	
3	005450-000	GASKET,ASM,36,BM FZ VID# 602711717-17	1	EA	
4	007565-000	DOOR FOAM ASM 36 BM FZ	1	EA	
5	007567-000	DOOR FOAM AND GASKET ASM 36 BM FZ	1	EA	
6	005449-000	GASKET,ASM,36,BM FF VID# 602711707-17	1	EA	
7	007569-000	DOOR FOAM ASM 36 BM FF	1	EA	
8	008220-000	BRACKET,FOL HANDLE SIDE 36 BM	1	EA	
9	008225-000	BRACKET,FOL HINGE SIDE 36 BM	1	EA	
10	044500-000	PIVOT PLATE, UPPER, LH FOL	1	EA	
11	044348-000	HINGE, COBRA ASM, 36 BTM, LH UPR	1	EA	
12	044371-000	RETAINER DOOR STOP	1	EA	
13	044375-000	SCR HEX SKET SET .3125-18 CUP	1	EA	Not available online / Call for pricing and availability
14	044376-000	SCREW FHP 8-32 X .500 SS BO	2	EA	Not available online / Call for pricing and availability
15	PC020269	DOOR STOP 36 BM	1	EA	
16	044918-000	grille assy 36 lh	1	EA	
17	043716-000	GRILLE LOUVER MID AF AR 36	1	EA	
18	044499-000	PIVOT PLATE, LOWER, LH FOL	1	EA	
19	044501-000	HINGE, LOWER, LH FOL	1	EA	
20	044316-000	CAM, DOOR CLOSURE, TOP (SEE PC020296)	1	EA	
21	002307-000	EXTRUSION,FOL,TOP,36" RIGHT	1	EA	
22	002318-000	EXTRUSION,FOL,TOP,36" LEFT	1	EA	
23	002306-000	EXTRUSION,FOL,SIDE,BM,FF	2	EA	
24	034902-000	EXTRUSION, FOL, PIVOT PLATE SPACER, RIGHT	1	EA	
25	034903-000	EXTRUSION, FOL, PIVOT PLATE SPACER, LEFT	1	EA	



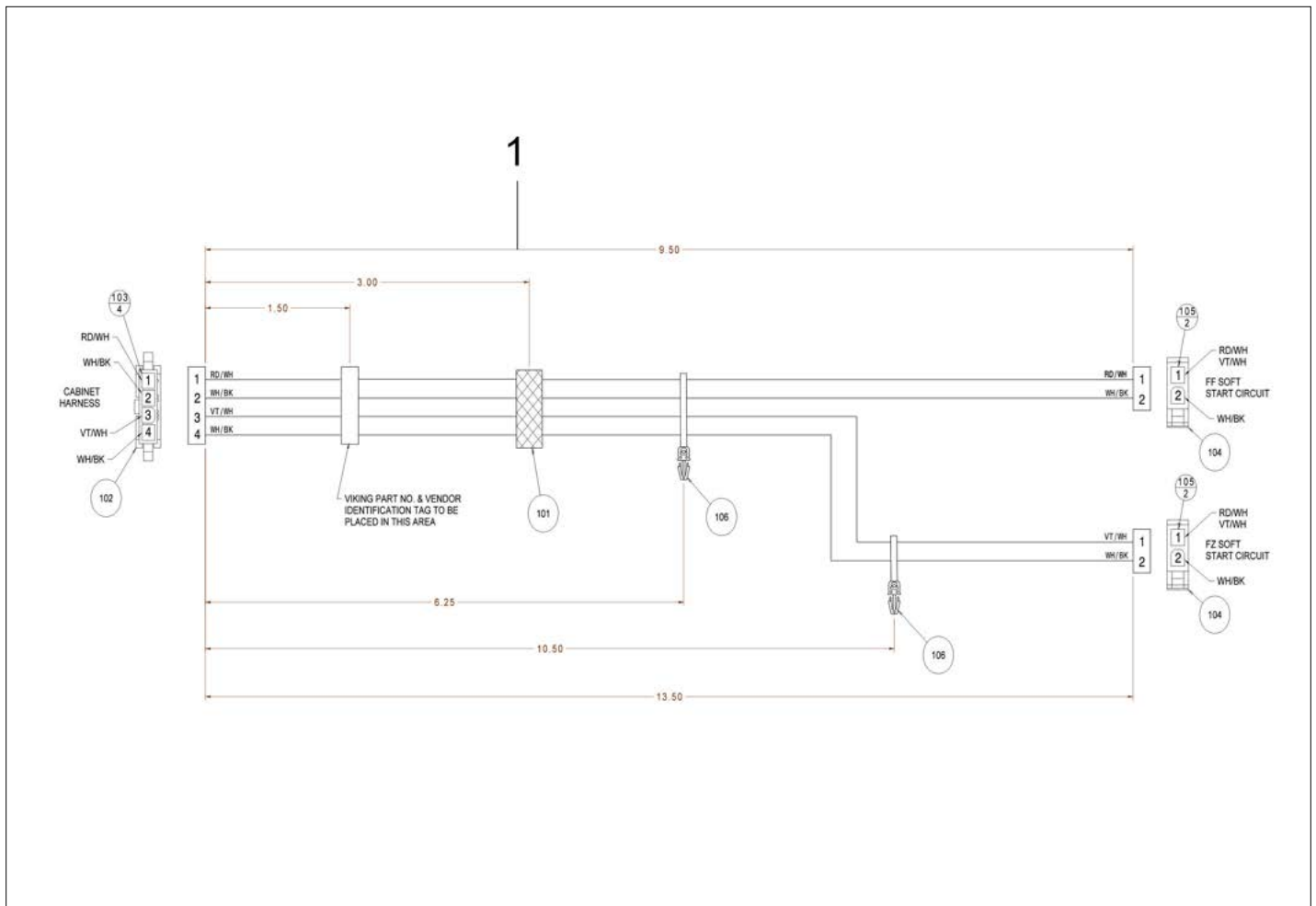


Item	Part No.	Name	Qty	Uom	NOTES
26	PD920174	10X7/8 PHILLIPS SMA TRI LOBE SA	8	EA	
27	PD020068	' #10 - 32 X 1/2"TRUSS. PHIL. M.*SS*	1	EA	
28	008399-000	SPACER,36,30,48FF,FOL	2	EA	
29	002313-000	EXTRUSION,FOL, TOP,BM,FZ	2	EA	
30	002312-000	EXTRUSION,FOL,SIDE,BM,FZ	2	EA	
31	008400-000	SPACER,BM,FZ,FOL	1	EA	
32	003625-000	SHEET,FOAM, BM FZ	1	EA	
33	003623-000	SHEET,FOAM, BM FF	1	EA	
34	043246-000	CAM, DOOR CLOSURE, BTM (SEE PC020228)	1	EA	
35	PD020187	SCR 8-32 MCH HXWS 1/4 S ZN	1	EA	
36	K10911852	SHIM-CENTER HINGE	7	EA	
37	043902-000	10-32 X 3/4 TRILOBE (T20) FLAT HEAD	3	EA	
38	PD020270	CAP, SCREW	2	EA	
NI	003001-000	COVER, SCR, RBR, GRAY, FOL, BM	1	EA	



Item	Part No.	Name	Qty	Uom	NOTES
1	048643-000	HARNESS, HIGH VOLTAGE	1	EA	
2	043792-000	HARNESS, MC BM	1	EA	

WIRING 2





Item	Part No.	Name	Qty	Uom	NOTES
1	048680-000	HARNESS, POWER SUPPLY, LED, BM/SXS	1	EA	



Appendix A:Pages Index

DOOR AND GRILLE VIEW 5
FF INTERIOR VIEW 3
FZ INTERIOR VIEW 4
UNIT BOTTOM VIEW 2
UNIT TOP VIEW 1
WIRING 1 6
WIRING 2 7



Appendix B:Parts Index

000247-000	4	023112-000	4
000570-000	1	023823-000	1
000975-000	1	025433-000	1
001022-000	1	030926-000	1
001091-000	4	031006-000	1
002306-000	5	034902-000	5
002307-000	5	034903-000	5
002312-000	5	036356-000	1
002313-000	5	036361-000	2
002318-000	5	036882-000	3
003001-000	5	036884-000	3
003325-000	1	042673-000	3
003471-000	4	042764-000	3
003623-000	5	042766-000	3, 4
003625-000	5	043246-000	5
003995-000	4	043376-000	1
005319-000	1	043716-000	5
005396-000	1	043792-000	6
005449-000	5	043902-000	4, 5
005450-000	5	044034-000	1
007302-000	3	044137-000	2
007565-000	5	044139-000	2
007567-000	5	044177-000	3
007569-000	5	044316-000	5
007979-000	1	044348-000	5
008202-000	3	044371-000	5
008220-000	5	044375-000	5
008225-000	5	044376-000	5
008331-000	5	044479-000	1
008399-000	5	044499-000	5
008400-000	5	044500-000	5
009216-000	4	044501-000	5
011332-000	2	044692-000	4
012396-000	3	044694-000	3
013112-000	2, 3	044810-000	3
014190-000	1	044918-000	5
014369-000	1	046357-000	3, 4
016506-000	1	046358-000	3
016930-000	1	046385-000	1
023005-000	4	046386-000	1
		047016-000	1



048643-000	6	C8983701	3, 4
048680-000	7	F20915696	2
049666-000	1	F2096507	1
050926-000	1	F2097740	1
057309-000	1	G32913789	2
057731-000	4	G50910016	4
057852-000	4	G50911850	4
057853-000	4	G50911853	2
057854-000	4	G50912334	3
057855-000	4	G5096494	1
057856-000	4	K10911852	5
057857-000	4	K10914192	1
058966-000	1	K20911831	2
059105-000	1	K20915000	1
060890-000	2	K20915952	2
060891-000	2	K2096943	1
068353-000	1	K2097168	4
071767-006	3	K2097169	4
071768-006	3	K2097172	4
10250003	3	K2098044	2
10428101	4	K2098096	2
10547001	1	K2098398	4
10699601	1	M0102804	1
10835901	1	M0104102	2
12063301	4	M0104106	1, 2
12064001	1	M0211018	4
12067301	4	M0211021	3
12070201	3	M0213105	4
12070202	3	M0215318	5
12088001	4	M0220417	2
12090301	3	M0221523	1
12106101	4	M0223509	3
12115101	1	M0223729	3
12404901	3	M0224128	1
40370P01	2	M0232929	2
A3030361	1	M0238535	1
A3189370	1	M0238859	1
A4554806	2	M0253916	2, 4
A4554817	1, 2	M0270510	3
A4554818	3	M0274067	4
B20915627	2	M0288120	1



M0581001 1
M0585504 1
PB070288 1
PB970138 3
PB970187 1
PB970188 1
PC020269 5
PC040010 2
PD020010 1
PD020032 2
PD020038 3
PD020068 5
PD020187 4, 5
PD020189 4
PD020194 2
PD020195 1
PD020270 5
PD020274 2
PD030146 2
PD030155 4
PD920162 3
PD920174 5
PD930112 1
PE050248 2
PE950149 1
PE960121 1
PE970464 1
PE970609 1
PJ910030 4
PK030540 2
PK930056 4
PK930348 2
PM010619 1
PM010622 4
PM010630 4
PM910172 4
PM910178 4
PM910220 4
PM910334 3
V12097404 3