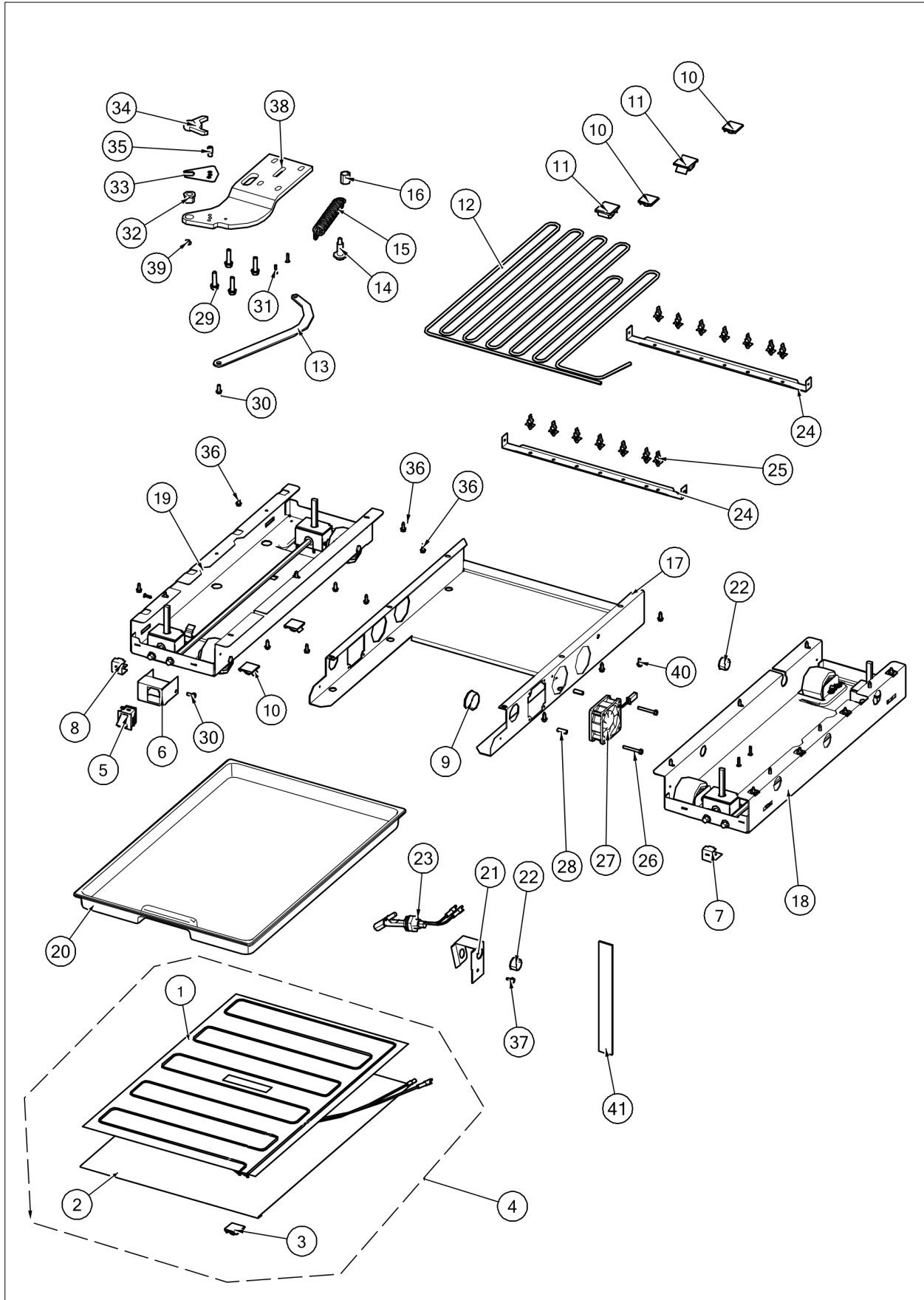


FDRB5363R01

UNIT BOTTOM	1
UNIT TOP	2
CONTROL	3
FRESH FOOD INTERIOR	4
DECOR	5
FDRB5363 Door parts	6
Appendix A:Pages Index	A
Appendix B:Parts Index	B

UNIT BOTTOM

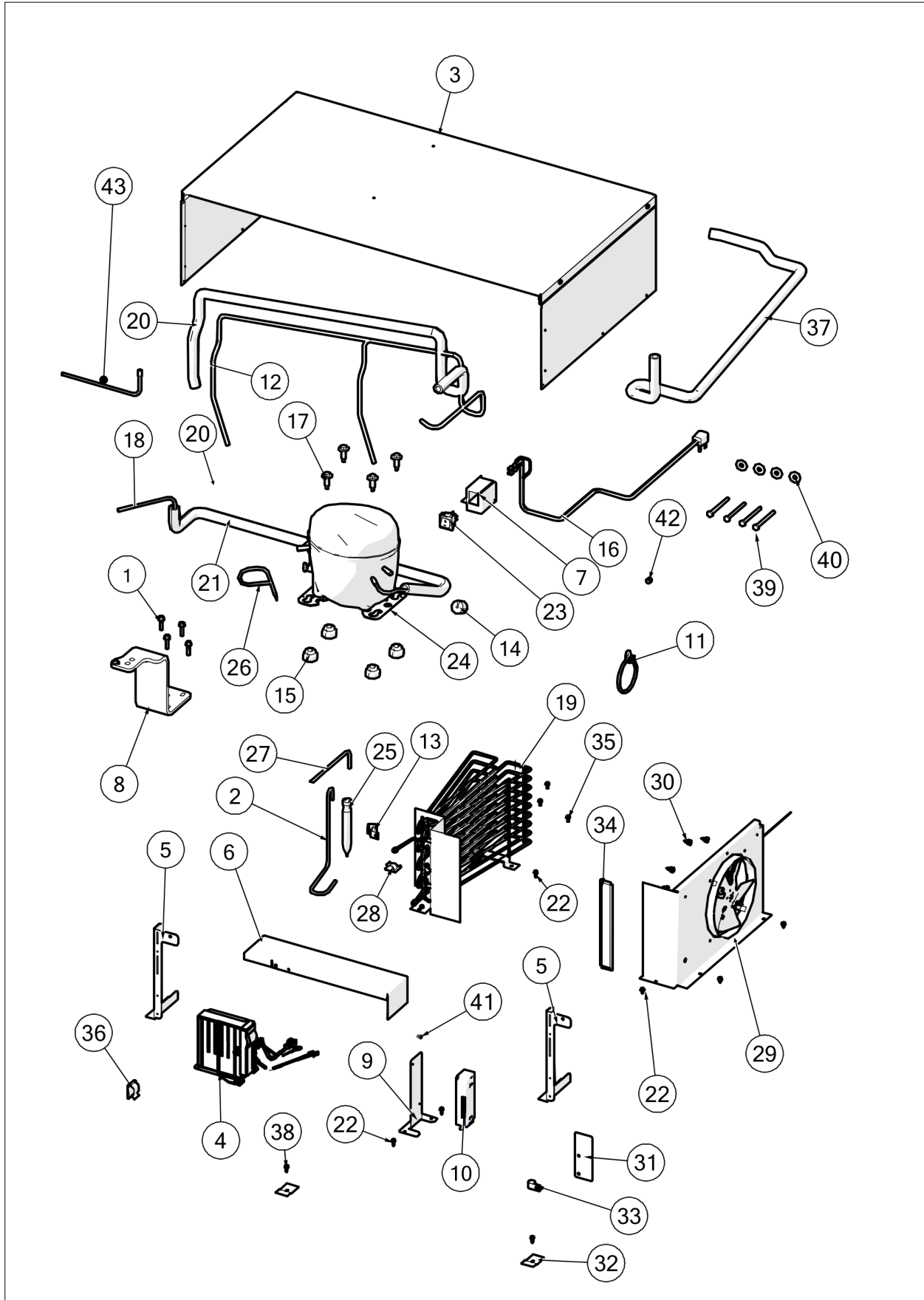


Item	Part No.	Name	Qty	Uom	NOTES
1	G50911853	PAN HEATER ASM		EA	
2	L20914124WH	TRAY PAN HEATER		EA	
3	M0104106	CLIP-CORD VM0104106		EA	
4	G50911853	PAN HEATER ASM		EA	
5	046063-000	SWITCH SPST NC BLACK		EA	
6	044939-000	BRACKET, LT SWITCH		EA	
7	K2098044	BRKT GRILLE SUPPORT		EA	
8	K2098096	BRACKET GRILLE SUPPORT		EA	
9	A4554817	BUSHING-SNAP VA4554817		EA	
10	M0104106	CLIP-CORD VM0104106		EA	
11	M0104102	CLIP-CORD		EA	
12	F20915696	SERPENTINE CONDENSER DRAIN		EA	
13	043258-000	BAR, BOTTOM HINGE, LH, WC		EA	
13	043261-000	BAR, BOTTOM HINGE, RH, WC		EA	
14	M0221523	SCREW - SHLDR		EA	
15	003867-000	SPRING EXTENSION		EA	
16	PD940107	ROUND SPRING SPACER		EA	
17	K20915952	SHIELD BOTTOM DRAIN		EA	
18	060890-000	LEVELER MODULE R		EA	
19	060891-000	LEVELER MODULE L		EA	
20	PK930348	PAN DRAIN		EA	
21	B20915627	BRACKET HORIZ FLOAT SWITCH		EA	
22	A4554806	BUSHING-SNAP VA4554806		EA	
23	PE050248	FLOAT SWITCH HORIZONTAL		EA	
24	K20911831	BRACKET CONDENSATE SUPPORT		EA	
25	PD030146	STAND OFF LOCK CLIP		EA	
26	PD020274	SCR SLTD HEX WSHR HD 8X1.250 BT		EA	
27	013112-000	AXIAL FAN		EA	
28	011332-000	SPACER,NYL		EA	
29	000570-000	FASTENER, BOLT, 1/4-20 IHXWS 1" S ZN SER		EA	



Item	Part No.	Name	Qty	Uom	NOTES
30	M0220417	SCREW-TC		EA	
31	PC940017	POP RIVET, 1/8" X 1/2"		EA	
32	044373-000	BUSHING, DOOR LEVEL		EA	
33	044511-000	PLATE, DOOR, SHIM		EA	
34	044372-000	BUSHING, DOOR STOP		EA	
35	044374-000	PIN, DOOR STOP		EA	
36	PD020194	SCR, HEX SRTD WSHR HD, #8-18 X 1/2		EA	
37	M0253916	SCR 8-32 SHXW 3/8 TRI-LOBE		EA	
38	044046-000	HINGE PLATE, LH, LWR		EA	
38	044026-000	HINGE PLATE, RH, LWR 30/36ARAF, 42, 48		EA	
39	PD940094	BUSHING		EA	
40	PD020010	10 X 3/8 GREEN GROUNDING SCREW		EA	
41	A3189370	GASKET-FOAM VA3189370		EA	

UNIT TOP



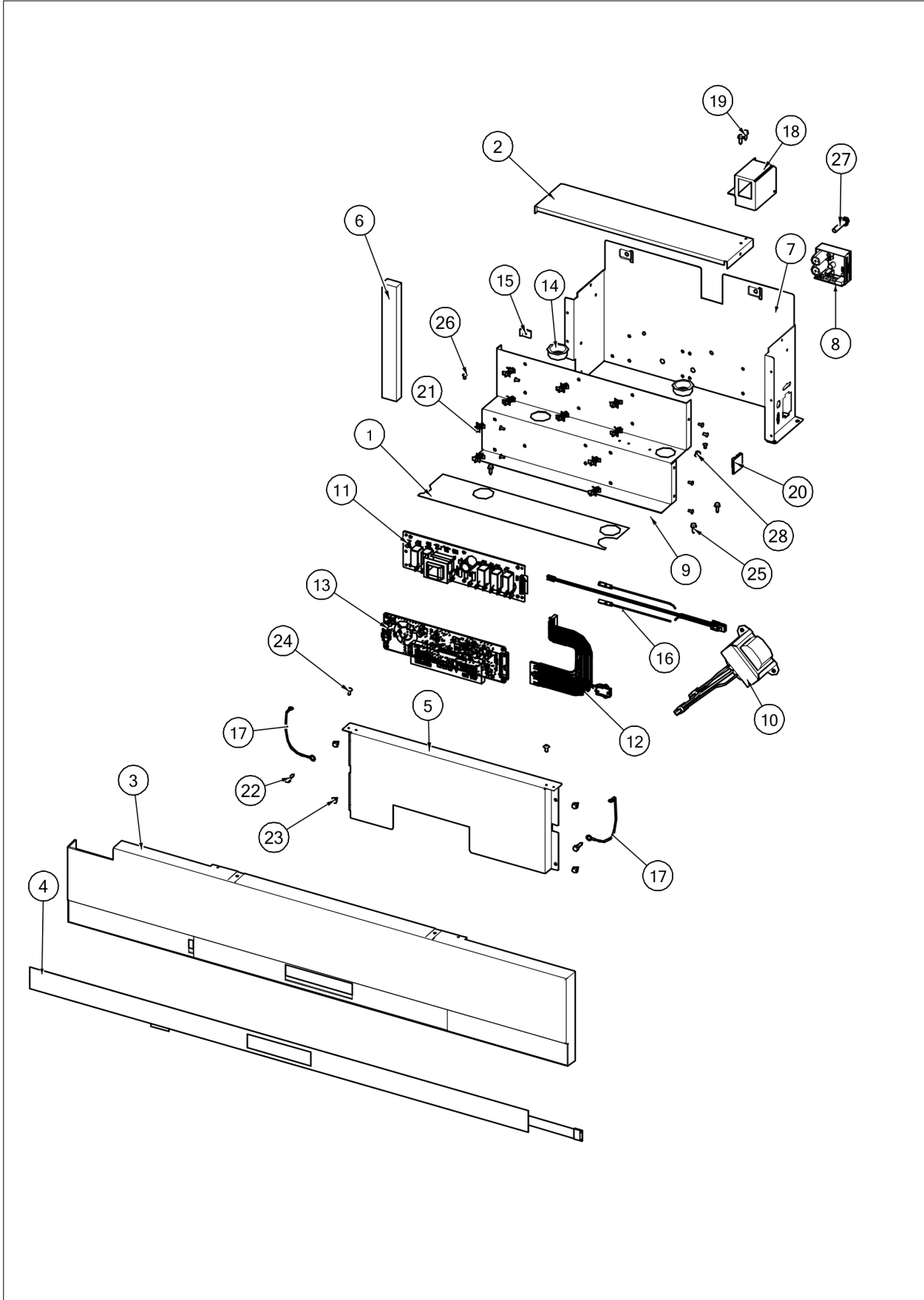


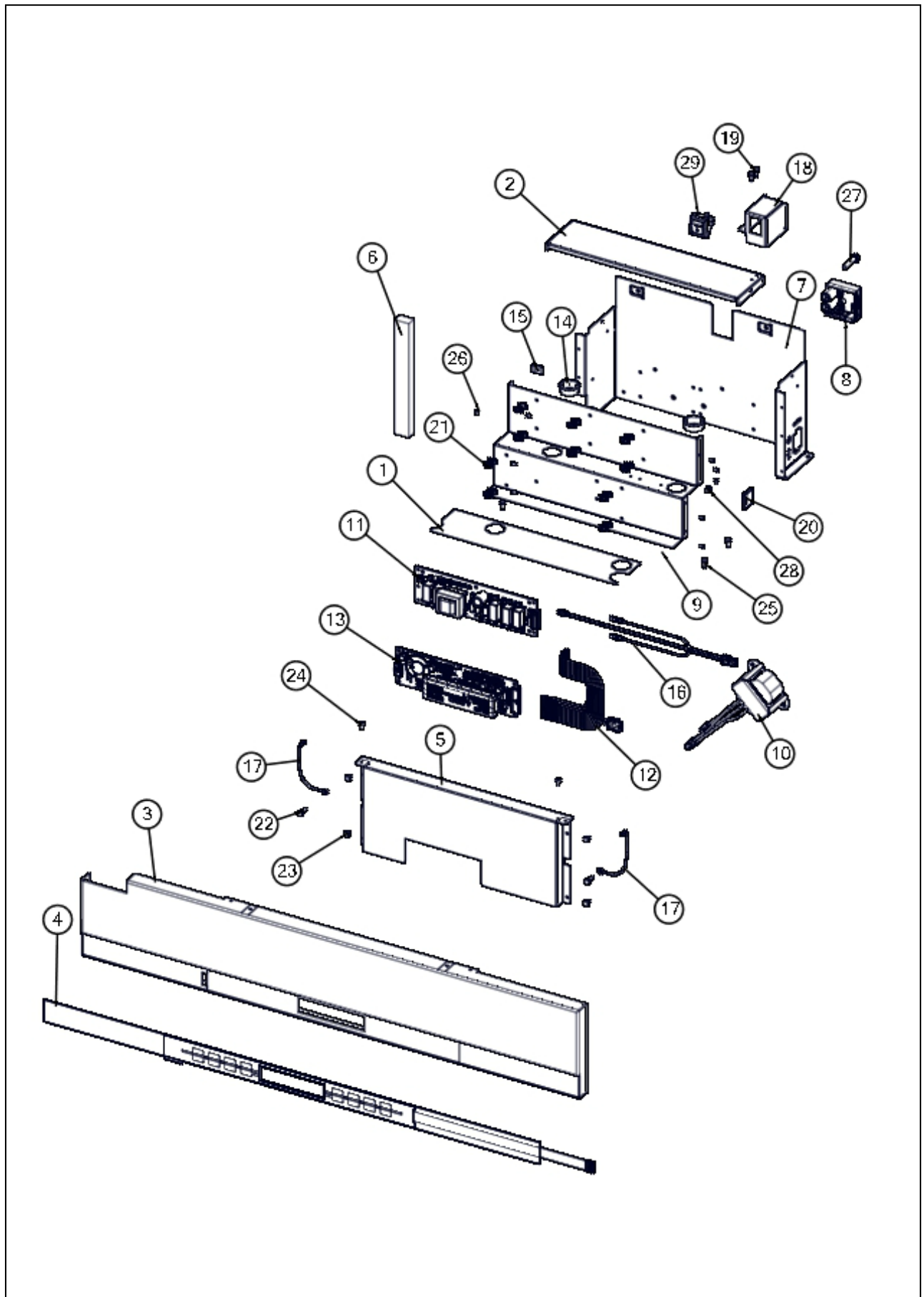
Item	Part No.	Name	Qty	Uom	NOTES
1	000570-000	FASTENER, BOLT, 1/4-20 IHXWS 1" S ZN SER		EA	
2	003325-000	TUBE DRIER COND		EA	
3	007979-000	MC COVER ASM BI 36		EA	
4	050926-000	INVERTER, CMPR, ASM		EA	
5	014190-000	BRACKET, GRILLE SUPPORT		EA	
6	014369-000	DIVERTER AIR HI SIDE 36		EA	
7	025433-000	BRACKET, SW, POWER		EA	
8	044358-000	UPPER HINGE ASM, LH 30/36AFAR, 42, 48		EA	
8	044359-000	UPPER HINGE ASM, RH 30/36AFAR, 42, 48		EA	
9	050009-000	BRKT, POWER SUPPLY		EA	
10	050036-000	ASM, REF, 24VDC, PWR SUP, TERM (HPN-1016A)		EA	
11	M0322202	TIE-WIRE		EA	
12	F20911126	TUBE SUCTION AR 30		EA	
13	10547001	CLIP-DRIER V10547001		EA	
14	10699601	DAMPER-TUBING .8		EA	
15	10835901	GROMMET RUBBER V10835901		EA	
16	059105-000	CORD-POWER V10916507		EA	
17	M0221523	SCREW - SHLDR		EA	
18	F20910729	TUBE DISCHARGE FORMED AF AR 36		EA	
19	068353-000	CONDENSER ASM		EA	
20	PB970188	INSULATION TUBING 45.000		EA	
21	PB970188	INSULATION TUBING 45.000		EA	
22	PD020194	SCR, HEX SRTD WSHR HD, #8- 18 X 1/2		EA	
23	PE950149	SWITCH POWER		EA	
24	PM010620	COMPRESSOR VCC AR		EA	



Item	Part No.	Name	Qty	Uom	NOTES
Comments for Part Num. PM010620					
gboltz@VikingRange.com on Aug 9, 2018					
See TR-0101B-SP Bulletin					
profixappliances@gmail.com on Nov 13, 2019					
SUBS TO 068640-000 - COMPRESSOR REPLACEMENT KIT					
ksturm@vikingrange.com on Dec 12, 2019					
SUBS TO 068640-000 - COMPRESSOR REPLACEMENT KIT					
25	PM010616	DRIER - HIGH SIDE		EA	
26	F2096507	TUBE-PROCESS GRN		EA	
27	F2097740	TUBE PROCESS		EA	
28	M0104106	CLIP-CORD VM0104106		EA	
29	050903-000	CONDENSER FAN ASM		EA	
30	PD020038	SCREW-#10 X 3/8 HEX WH.HD.T(F)GREEN		EA	
31	000975-000	SUPPORT, FAN SWITCH		EA	
32	K2096943	PANEL BRACKET		EA	
33	PD030118	INSULATED CLAMP		EA	
34	A3189370	GASKET-FOAM VA3189370		EA	
35	PD020010	10 X 3/8 GREEN GROUNDING SCREW		EA	
36	M0104102	CLIP-CORD		EA	
37	PB970187	INSULATION TUBING 57.500		EA	
38	PD020194	SCR, HEX SRTD WSHR HD, #8- 18 X 1/2		EA	
39	M0223509	SCREW-LAG		EA	
40	M0270510	WASHER		EA	
41	PD020223	SCREW PHP 6-32 X .250		EA	
42	007407-000	RING,LOK, .187 DIA		EA	
43	062792-000	TUBE, EXTENSION, EVAPORATOR, AR 30 36		EA	

CONTROL







Item	Part No.	Name	Qty	Uom	NOTES
1	005396-000	FILM,PROTECTIVE	1	EA	
2	K20915000	CONTROL BOX TOP	1	EA	
3	016446-000	PANEL CONTROL AF/AR 36 L	1	EA	
3	016448-000	PANEL CONTROL AF/AR 36 R	1	EA	
4	046872-000	OVERLAY, SW, ASM, AR 36	1	EA	
5	016930-000	MOTR CONTROL BOX FRONT	1	EA	
6	A3030361	GASKET RED	1	EA	
7	047016-000	MOTOR CONTROL BOX	1	EA	
8	046385-000	CIRCUIT, LED SOFT START	1	EA	
9	044479-000	MOTOR BRACKET PCB	1	EA	
10	046386-000	TRANSFORMER, LED SOFT START	1	EA	
11	005319-000	POWER CONTROL BOARD ASM 5 SERIES	1	EA	

Comments for Part Num. 005319-000

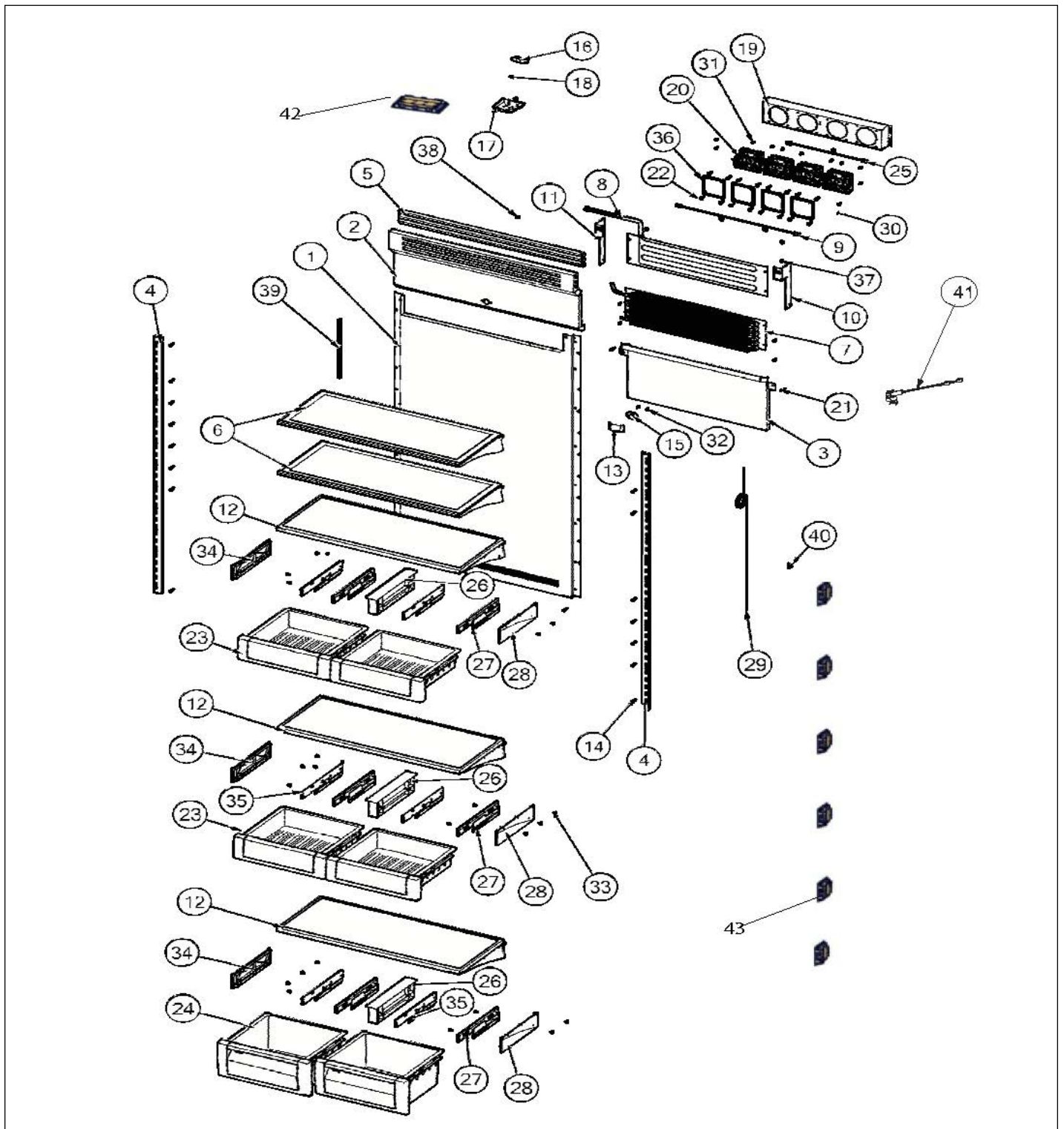
boltz on Apr 12, 2018
See TR-0056-SP Bulletin

12	PE970464	HARNESS LOW VOLT	1	EA	
13	079337-000	5 series low voltage board kit	1	each	
14	A4554817	BUSHING-SNAP VA4554817	2	EA	
15	M0288120	NUT-SPEED VM0288120	1	EA	
16	PE970609	HARNESS CONTROL BOARD	1	EA	
17	12064001	SUPP-CONT PANEL	2	EA	
18	025433-000	BRACKET,SW,POWER	1	EA	
19	PD020194	SCR, HEX SRTD WSHR HD, #8-18 X 1/2	2	EA	
20	M0104106	CLIP-CORD VM0104106	1	EA	
21	M0585504	SUPPORT	10	EA	
22	M0238859	SCREW-SHLDR	2	EA	
23	PD020193	SCR 8-18 X 3/8	4	EA	
24	M0224128	SCREW-SM	2	EA	
25	PD020194	SCR, HEX SRTD WSHR HD, #8-18 X 1/2	4	EA	



Item	Part No.	Name	Qty	Uom	NOTES
26	PC040010	POP RIVET (.063/GR -.125) GAMD42-A	2	EA	
27	048308-000	SCREW, 1/4-20 X 1.25 NBS	1	EA	
28	PD020187	SCR 8-32 MCH HXWS 1/4 S ZN	2	EA	
29	PE950149	SWITCH POWER	1	EA	

FRESH FOOD INTERIOR

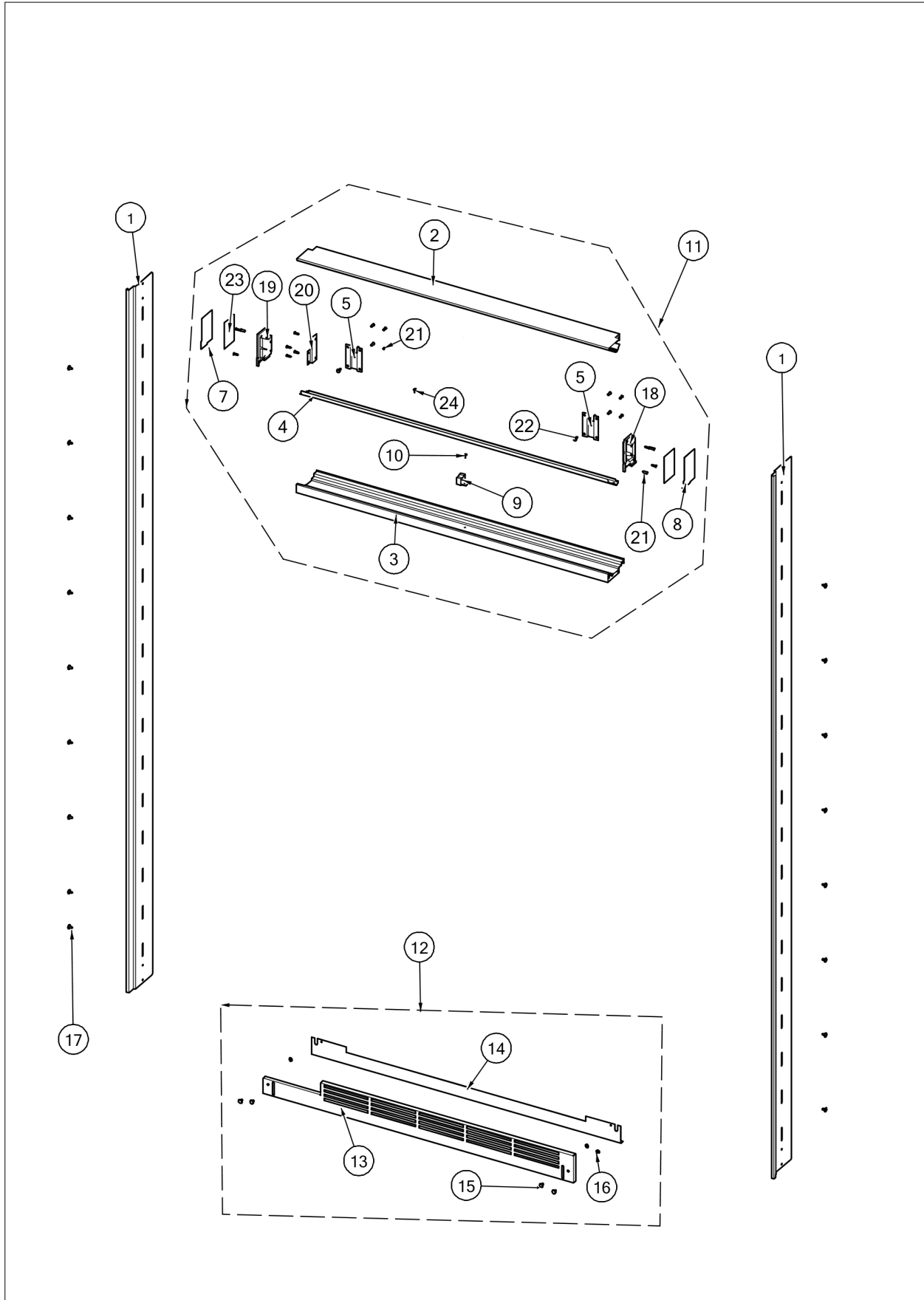


Item	Part No.	Name	Qty	Uom	NOTES
1	051575-000	COVER SUMP UPPER AR 36, W/TAB	1	EA	
2	054803-000	COVER, EVAP DEEP, SNAP FEATURE, AR 36	1	EA	
3	051867-000	SUPPORT, BACK, AR	1	EA	
4	071769-006	LADDER SIDE AR PIZZA	2	EA	
5	054171-000	LOUVER, AR, 36	3	EA	
6	042673-000	SHELF, GL, 36" NANO SHELF ASSY	2	EA	
7	PM910455	EVAPORATOR AR 36	1	EA	
8	056483-000	HEATER, EVAP, WITH FUSE, AR 36	1	EA	
9	020550-000	HARNESSE,FAN,SPLT,3	1	EA	
10	054807-000	BRACKET, EVAP, COVER, R, AR, SNAP	1	EA	
11	054842-000	BRACKET, EVAP, COVER, L, AR, SNAP	1	EA	
12	043203-000	SHELF ASM GLASS AR/BM 36	3	EA	
13	050844-000	COVER, THERMISTOR, FF	1	EA	
14	013397-000	1" PAINTED LADDER SCREW	22	EA	
15	C8983701	THERMISTOR	1	EA	
16	010093-000	PLASMA CLUSTER	1	EA	
17	043844-000	HOUSING, PCI, BM	1	EA	
18	014399-000	TAPE,FOAM,DBL SIDED	1	EA	
19	019440-000	FAN BRACKET, AR, 36	1	EA	
Not Shown	NOTE	(BEFORE 12/14/16)		EA	
19	054214-000	FAN BRACKET, AR, 36	1	EA	
Not Shown	NOTE	(ON OR AFTER 12/14/16)		EA	
20	051008-000	FAN,AXIAL,80X80X25MM 24 VDC	3	EA	
Not Shown	NOTE	(BEFORE 12/14/16)		EA	
20	055002-000	FAN, LARGE, AR 30/36	4	EA	
Not Shown	NOTE	(ON OR AFTER 12/14/16)		EA	
21	010866-000	SCR WH SLTD HEX WSHR HD #8-18 X 1	2	EA	



Item	Part No.	Name	Qty	Uom	NOTES
22	007301-000	GROMMET,RUBBER	16	EA	
23	G50912334	DRAWER DELI ASM AR 36	4	EA	
24	012396-000	DRAWER,PRODUCE,ASM 36 AR/BM	2	EA	
25	020549-000	HARNESS,FAN,SPLT,2	1	EA	
26	PK030439	GLIDE CENTER SUPPORT AR 36	3	EA	
27	046235-000	SLIDE, DWR, SOFT CLOSE - RH	6	EA	
28	044214-000	SUPPORT SLIDER R	3	EA	
29	055004-000	TUBE CAPILLARY ASM AR 30/36	1	EA	
30	PD020194	SCR, HEX SRTD WSHR HD, #8- 18 X 1/2	6	EA	
31	024279-000	FASTENER,SRTD,HXWH,BLK,# 8-18 X 1/2	4	EA	
32	M0253916	SCR 8-32 SHXW 3/8 TRI-LOBE	2	EA	
33	PD920161	SCR 8-16 PLASTITE PNP 3/8 S	24	EA	
34	044219-000	SUPPORT SLIDE L (See PK930291)	3	EA	
35	046255-000	SLIDE, DWR, SOFT CLOSE - LH	6	EA	
36	056228-000	LARGE GASKET FAN MOUNT AR 36 30	4	EA	
37	M0274067	WASHER-NYLON	8	EA	
38	12115101	CLAMP-TUBE V12115101	1	EA	
39	PB070288	1/4" X 1/2" CLOSED CELL SPONGE	4	EA	
40	M0104106	CLIP-CORD VM0104106	1	EA	
41	058966-000	DEFROST TERMINATOR	1	EA	
Comments for Part Num. 058966-000					
bradleysapplianceservice@shaw.ca on May 29, 2019					
ACTUAL RATING: L55-35 (THIS IS STAMPED ON DTS)					
NI	076855-000	THERMISTOR, MITSUBISHI, PROBE STYLE 5 SERIES	1	EA	
42	042766-000	LED LIGHT, 8-POINT	2	EA	
43	042764-000	LED LIGHT, 3-POINT	12	EA	

DECOR



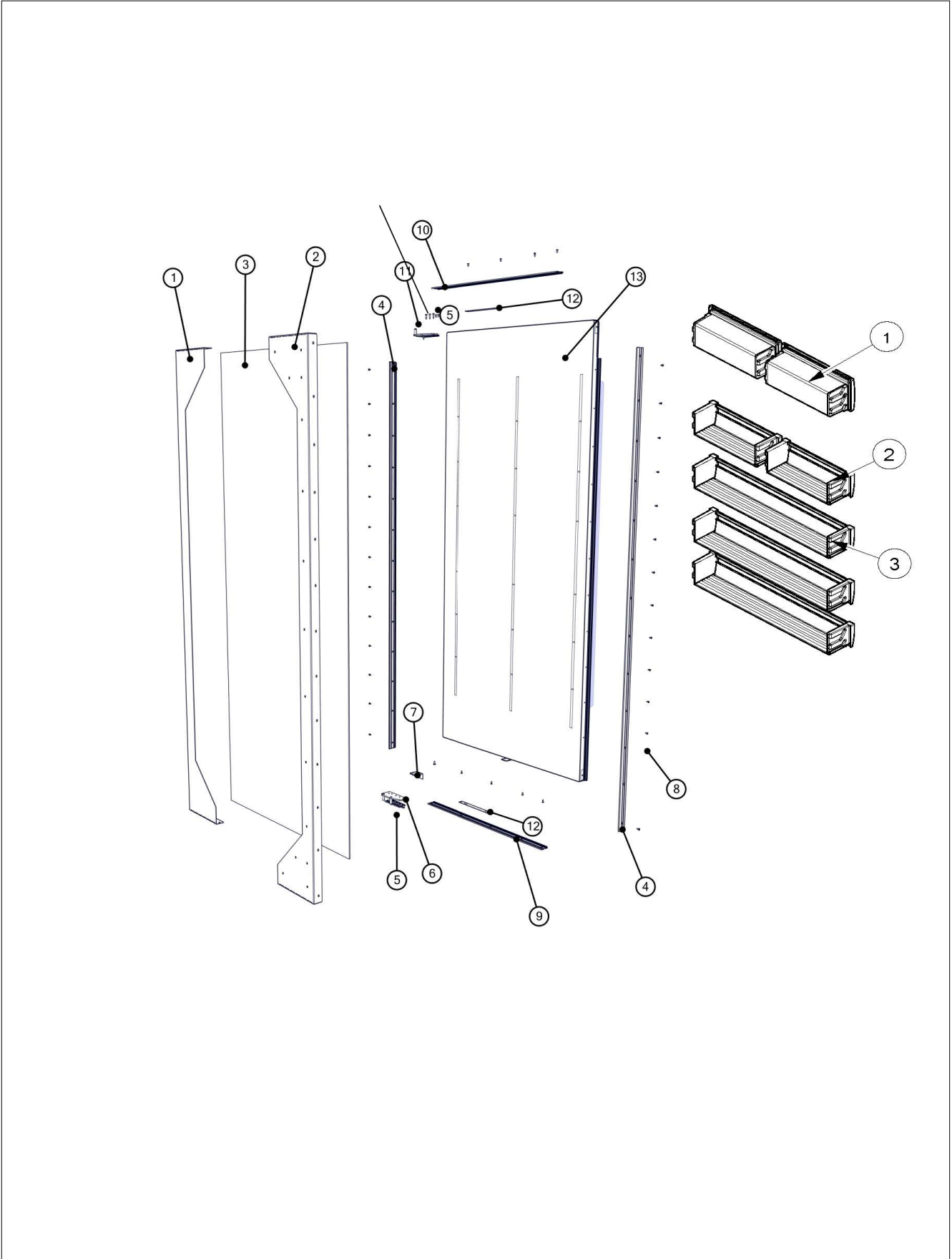


Item	Part No.	Name	Qty	Uom	NOTES
1	PK910123	SIDE TRIM - PRO		EA	
2	016205-000	GRILLE LOUVER UPPER AF AR 36 DES FOL		EA	
3	016206-000	GRILLE LOUVER LOWER AF AR 36 L DES FOL		EA	
3	047712-000	GRILLE LOUVER LOWER AF AR 36 R DES FOL		EA	
4	052278-000	LOUVER, CTR		EA	
5	042922-000	BRACKET, GRILLE		EA	
7	033709-000	ENDCAP, GRILLE, L, HINGE		EA	
7	033729-000	ENDCAP, GRILLE, R, HINGE		EA	
8	033710-000	ENDCAP, GRILLE, R, NO HINGE		EA	
8	033707-000	ENDCAP, GRILLE, L, NO HINGE		EA	
9	PM910084	SUPPORT GRILLE 12201201		EA	
10	M0230028	SCREW-TC		EA	
11	034753-000	GRILLE, ASM, 36 AF/AR, PRO, LH		EA	
11	034752-000	GRILLE, ASM, 36 AF/AR, DES, RH		EA	
12	047907-000	GRILLE, TOE, ASM, 36 AF, AR L		EA	
12	047904-000	GRILLE, TOE, ASM, 36 AF, AR, R		EA	
Comments for Part Num. 047904-000					
bradleysapplianceservice@shaw.ca on Jun 15, 2017					
047904-000 TOE GRILLE ASM 36 AF AR RH SS (STAINLESS STEEL)					
13	047022-000	VENT, TOE, GRILLE, 36, AF, AR L		EA	
13	047021-000	VENT, TOE, GRILLE, 36, AF, AR R		EA	
14	044137-000	KICKPLATE, LWR		EA	
15	PD020032	SRW-8(A)X3/8"PH.WFR HD 7/16DIA*NICL		EA	
16	40370P01	NYLON FLAT WASHER V40370P01		EA	
17	PD020032	SRW-8(A)X3/8"PH.WFR HD 7/16DIA*NICL		EA	
18	PM910348	ENP CAP GRILLE R		EA	



Item	Part No.	Name	Qty	Uom	NOTES
19	PM910349	END CAP GRILLE L		EA	
20	K2099471	BRACKET GRILLE SUPPORT L		EA	
20	K2099470	BRACKET GRILLE SUPPORT R		EA	
21	003004-000	8 - 18 X 1/2 ZN/CLR PHIL FLAT TRIM HD #5 TYPE AB TAPPING SCREW		EA	
22	PD020194	SCR, HEX SRTD WSHR HD, #8-18 X 1/2		EA	
23	034181-000	TAPE,DBL,SIDED ENDCAPS		EA	
24	M0224128	SCREW-SM		EA	

FDRB5363 Door parts





Item	Part No.	Name	Qty	Uom	NOTES
1	007377-000	BRACKET,SIDE,HINGE,FULL OVERLAY	1	EA	
2	000950-000	BRACKET,PNL,FULL OVERLAY	1	EA	
3	003627-000	SHEET,FOAM, 36 AF/AR	1	EA	
4	000953-000	EXTRUSION,FOL,SIDE	2	EA	
5	034902-000	EXTRUSION, FOL, PIVOT PLATE SPACER, RIGHT	1	EA	
6	044507-000	PIVOT PLATE, LOWER, LH FOL	1	EA	
6	044508-000	PIVOT PLATE, LOWER, RH FOL	1	EA	
7	044314-000	STRIKER, DOOR SWITCH	1	EA	
8	M0215318	SCREW-SM	36	EA	
9	002307-000	EXTRUSION,FOL, TOP,36" RIGHT	1	EA	
10	002318-000	EXTRUSION,FOL, TOP,36" LEFT	1	EA	
11	044506-000	PIVOT PLATE, UPPER, LH FOL	1	EA	
11	044505-000	PIVOT PLATE, UPPER, RH FOL	1	EA	
12	008399-000	SPACER,36,30,48FF,FOL	2	EA	
13	007388-000	DOOR FOAM ASM AR 36	1	EA	
NI	005447-000	GASKET,ASM,36,AFAR VID# 602711127-17	1	EA	
14	V12097404	DAIRY MODULE ASM RPLS V12062603S	1	EA	
15	036882-000	DOORBIN ASM FF 36 HALF	2	EA	
16	036884-000	DOORBIN ASM FF 36 FULL	3	EA	
17	PD920174	10X7/8 PHILLIPS SMA TRI LOBE SA	6	EA	
NI	003000-000	COVER, SCR, RBR, GRAY FOL AR/AF	1	EA	
NI	006908-000	Z BRACKET	1	EA	



Appendix A:Pages Index

CONTROL 3
DECOR 5
FDRB5363 Door parts 6
FRESH FOOD INTERIOR 4
UNIT BOTTOM 1
UNIT TOP 2



Appendix B:Parts Index

000570-000	1, 2	033707-000	5
000950-000	6	033709-000	5
000953-000	6	033710-000	5
000975-000	2	033729-000	5
002307-000	6	034181-000	5
002318-000	6	034752-000	5
003000-000	6	034753-000	5
003004-000	5	034902-000	6
003325-000	2	036882-000	6
003627-000	6	036884-000	6
003867-000	1	042673-000	4
005319-000	3	042764-000	4
005396-000	3	042766-000	4
005447-000	6	042922-000	5
006908-000	6	043203-000	4
007301-000	4	043258-000	1
007377-000	6	043261-000	1
007388-000	6	043844-000	4
007407-000	2	044026-000	1
007979-000	2	044046-000	1
008399-000	6	044137-000	5
010093-000	4	044214-000	4
010866-000	4	044219-000	4
011332-000	1	044314-000	6
012396-000	4	044358-000	2
013112-000	1	044359-000	2
013397-000	4	044372-000	1
014190-000	2	044373-000	1
014369-000	2	044374-000	1
014399-000	4	044479-000	3
016205-000	5	044505-000	6
016206-000	5	044506-000	6
016446-000	3	044507-000	6
016448-000	3	044508-000	6
016930-000	3	044511-000	1
019440-000	4	044939-000	1
020549-000	4	046063-000	1
020550-000	4	046235-000	4
024279-000	4	046255-000	4
025433-000	2, 3	046385-000	3
		046386-000	3



046872-000	3	A3030361	3
047016-000	3	A3189370	1, 2
047021-000	5	A4554806	1
047022-000	5	A4554817	1, 3
047712-000	5	B20915627	1
047904-000	5	C8983701	4
047907-000	5	F20910729	2
048308-000	3	F20911126	2
050009-000	2	F20915696	1
050036-000	2	F2096507	2
050844-000	4	F2097740	2
050903-000	2	G50911853	1, 1
050926-000	2	G50912334	4
051008-000	4	K20911831	1
051575-000	4	K20915000	3
051867-000	4	K20915952	1
052278-000	5	K2096943	2
054171-000	4	K2098044	1
054214-000	4	K2098096	1
054803-000	4	K2099470	5
054807-000	4	K2099471	5
054842-000	4	L20914124WH	1
055002-000	4	M0104102	1, 2
055004-000	4	M0104106	1, 1, 2, 3, 4
056228-000	4	M0215318	6
056483-000	4	M0220417	1
058966-000	4	M0221523	1, 2
059105-000	2	M0223509	2
060890-000	1	M0224128	3, 5
060891-000	1	M0230028	5
062792-000	2	M0238859	3
068353-000	2	M0253916	1, 4
071769-006	4	M0270510	2
076855-000	4	M0274067	4
079337-000	3	M0288120	3
10547001	2	M0322202	2
10699601	2	M0585504	3
10835901	2	PB070288	4
12064001	3	PB970187	2
12115101	4	PB970188	2, 2
40370P01	5	PC040010	3



PC940017 1
PD020010 1, 2
PD020032 5, 5
PD020038 2
PD020187 3
PD020193 3
PD020194 1, 2, 2, 3, 3, 4, 5
PD020223 2
PD020274 1
PD030118 2
PD030146 1
PD920161 4
PD920174 6
PD940094 1
PD940107 1
PE050248 1
PE950149 2, 3
PE970464 3
PE970609 3
PK030439 4
PK910123 5
PK930348 1
PM010616 2
PM010620 2
PM910084 5
PM910348 5
PM910349 5
PM910455 4
V12097404 6