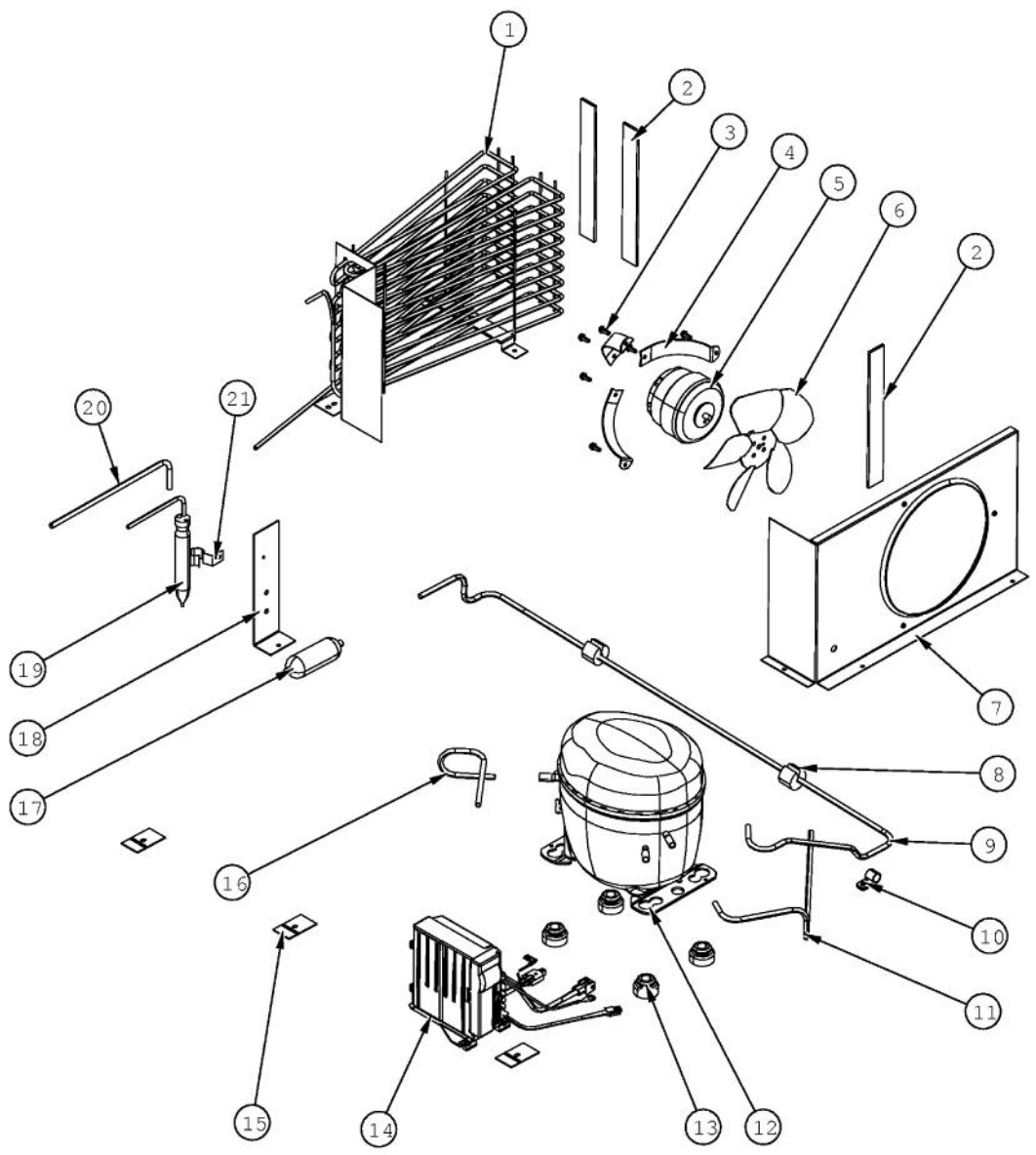
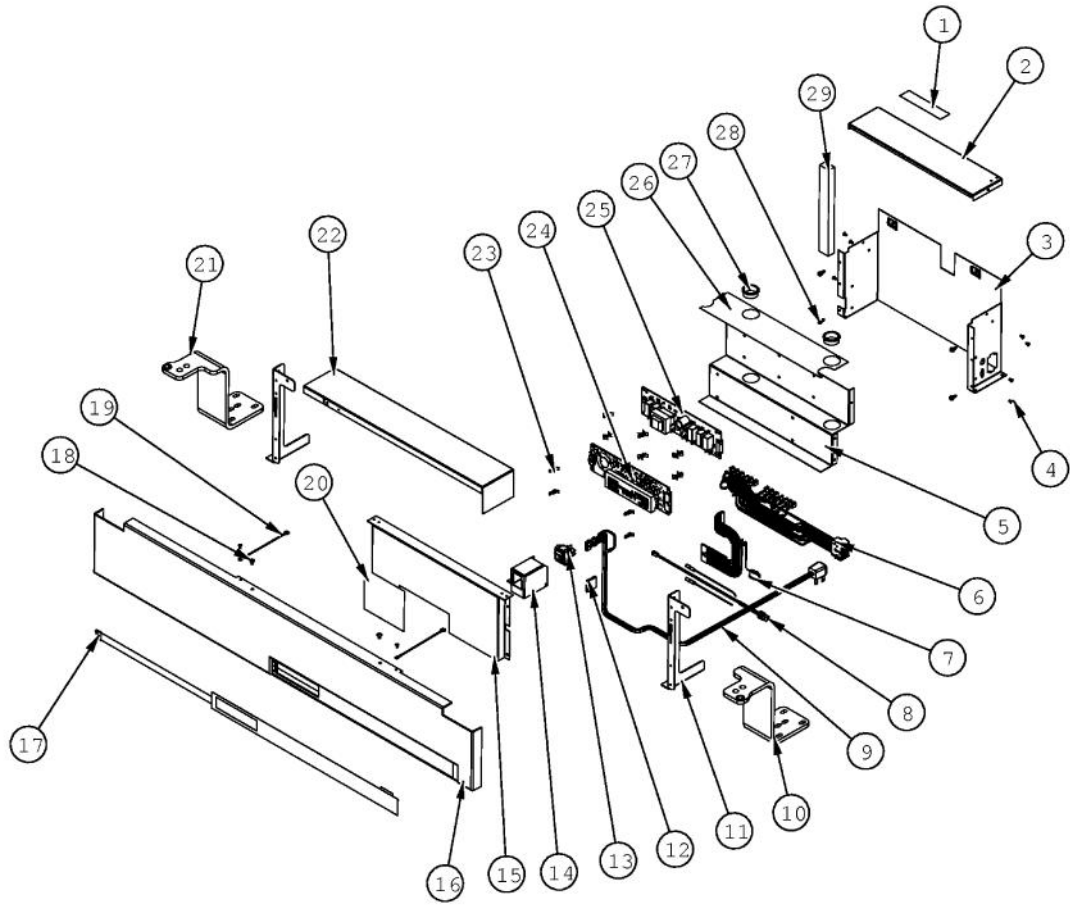


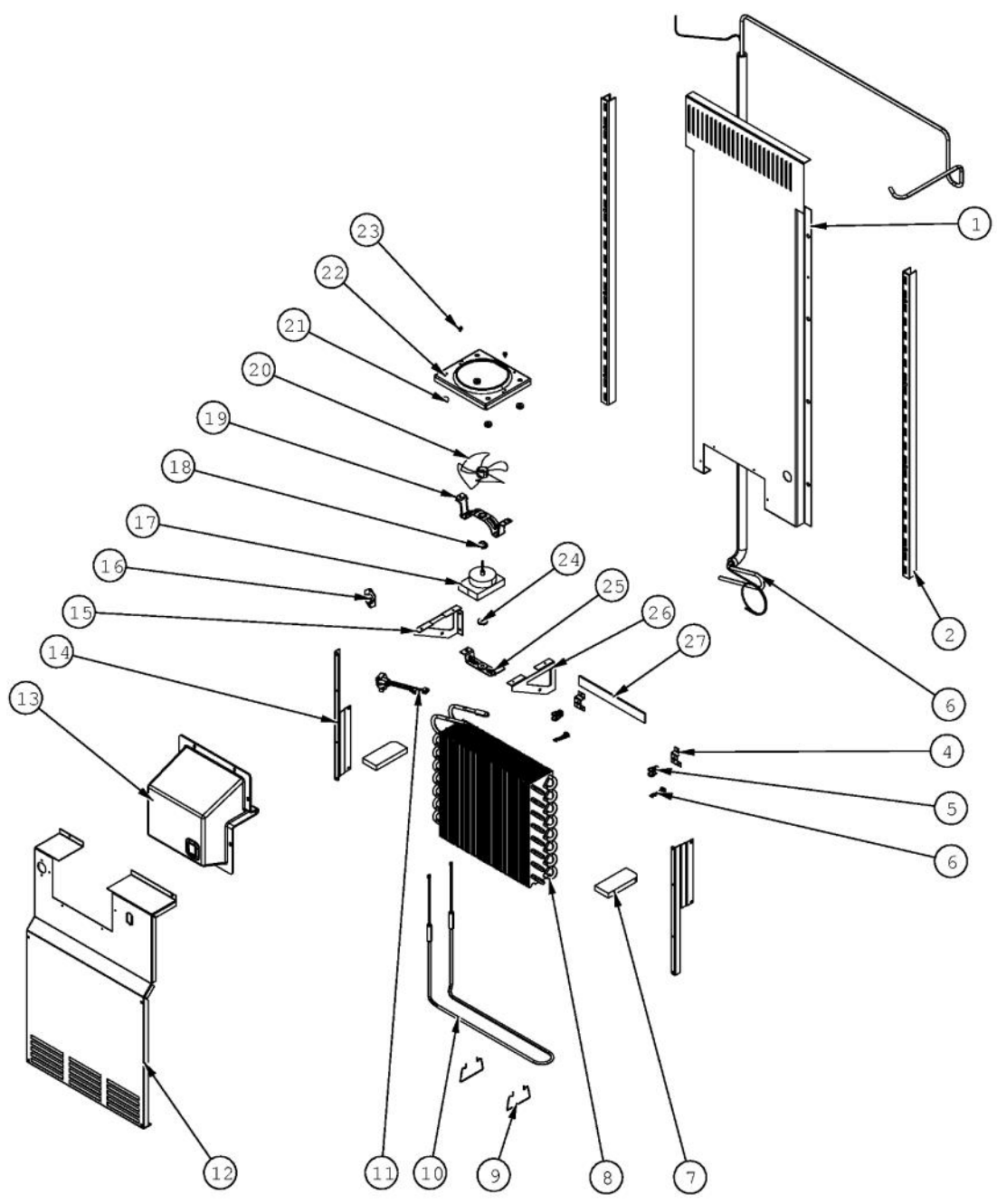
Ref #	Part Number	Qty.	Description
1	F20915693	1	SERPENTINE CONDENSER DRAIN ALL SXS'S
2	PD030146	14	STAND OFF LOCK CLIP
3	K20911831	2	BRACKET CONDENSATE SUPPORT
4	PK930348	1	PAN DRAIN
5	G3298648	1	HINGE ASM COMPLETE LR
6	PC920166	1	BAR-WC BOT HINGE RH
7	PM010602	2	CAM DOOR ADJUSTMENT
8	PB020304	1	PLASTIC TUBING-IM WATERLINE NON DISP (SXS & AF)
9	K2098044	1	BRKT GRILLE SUPPORT
10	PM910398	1	LEVELER ASSEMBLY - R
11	PA970012	1	SINGLE WATER VALVE
12	004551-000	1	AXIAL FAN
13	K20913788	1	BRKT VALVE H2O SINGLE
14	A4554806	2	BUSHING-SNAP VA4554806
15	B20915627	1	BRACKET HORIZ FLOAT SWITCH
16	PE050248	1	FLOAT SWITCH HORIZONTAL
17	A4554817	1	BUSHING-SNAP VA4554817
18	K20915952	1	SHIELD BOTTOM DRAIN
19	G50914125	1	TRAY PAN HEATER
20	PM910399	1	LEVELER MODULE L
21	014334-000	2	BRACKET,LT,SWITCH
22	K2098096	1	BRKT GRILLE SUPPORT
23	PE950146	1	SWITCH SPDT BLACK
24	PC920149	1	BAR-WC BOT HINGE LH
25	PC910015	1	SPRING EXTENSION
26	PD940107	2	ROUND SPRING SPACER
27	G3298649	1	HINGE ASM COMPLETE LL
28	015803-000	1	GRILLE,TOE,ASM,42 SXS



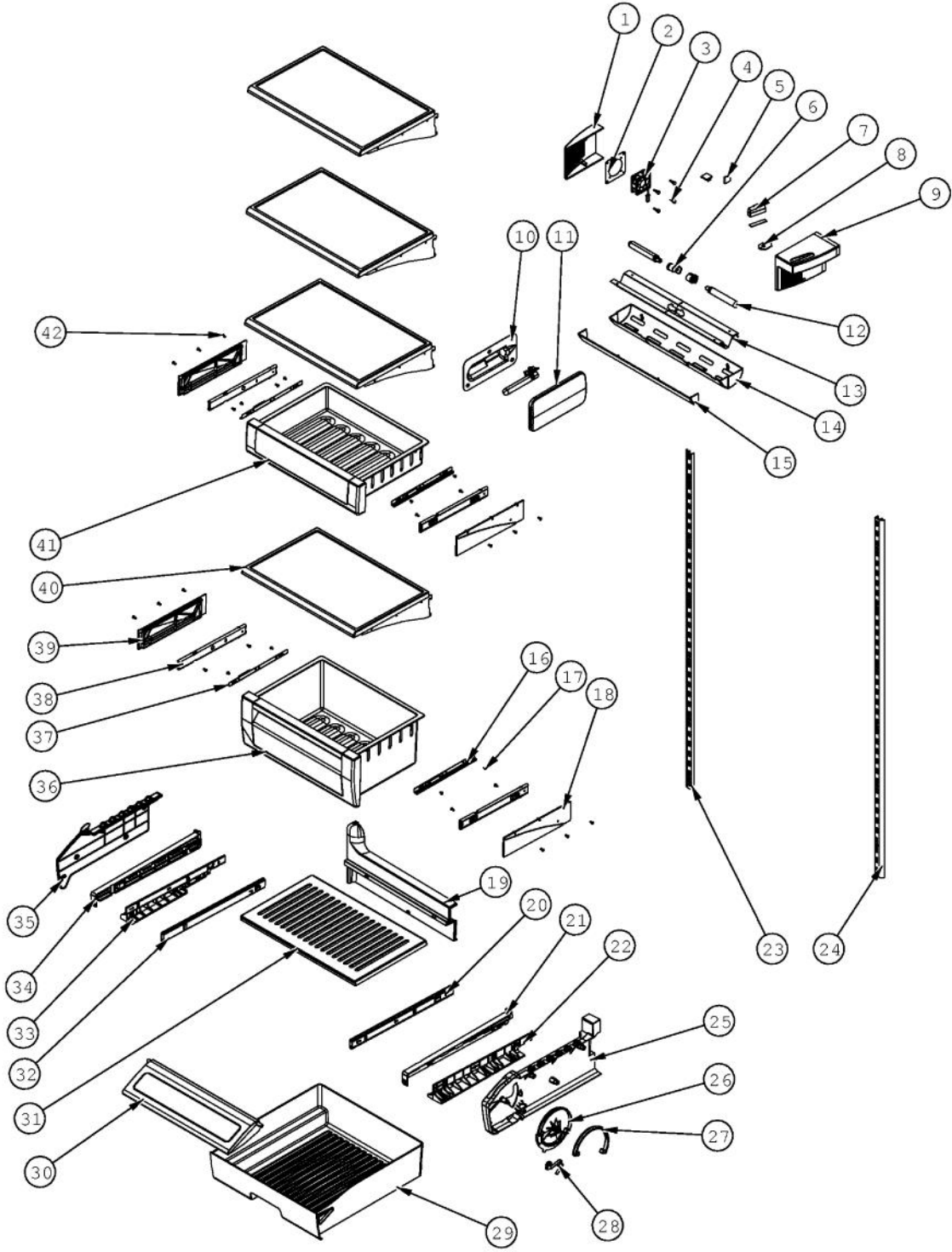
Ref #	Part Number	Qty.	Description
1	PB920171	1	CONDENSER ASM
2	A3189370	3	GASKET-FOAM VA3189370
3	M0220417	6	SCREW-TC
4	10582501	3	BRKT-COND MTR V10582501
5	10522103	1	MOTOR-PSC V10522103
6	B5742603	1	BLADE-FAN
7	PM010604	1	SHROUD COND FAN
8	10699601	2	DAMPER-TUBING .8
9	F2096504	1	TUBE-DRIER EXT
10	PD030118	1	SCREW - SHLDR
11	F2099444	1	TUBE DISCHARGE FORMED POST ACCUM
12	PM010619	1	COMPRESSOR VCC
13	10835901	4	GROMMET RUBBER V10835901
14	011666-000	1	INVERTER CMPRESSOR
15	K2096943	3	PANEL BRACKET
16	F2096507	1	TUBE-PROCESS GRN
17	PB920201	1	ACCUMULATOR
18	K2099454	1	BRACKET DRIER
19	PM910381	1	DRIER - HIGH SIDE
20	F2097740	1	TUBE PROCESS
21	10547001	1	CLIP-DRIER V10547001
NI	PD020194	18	SCREW-SM



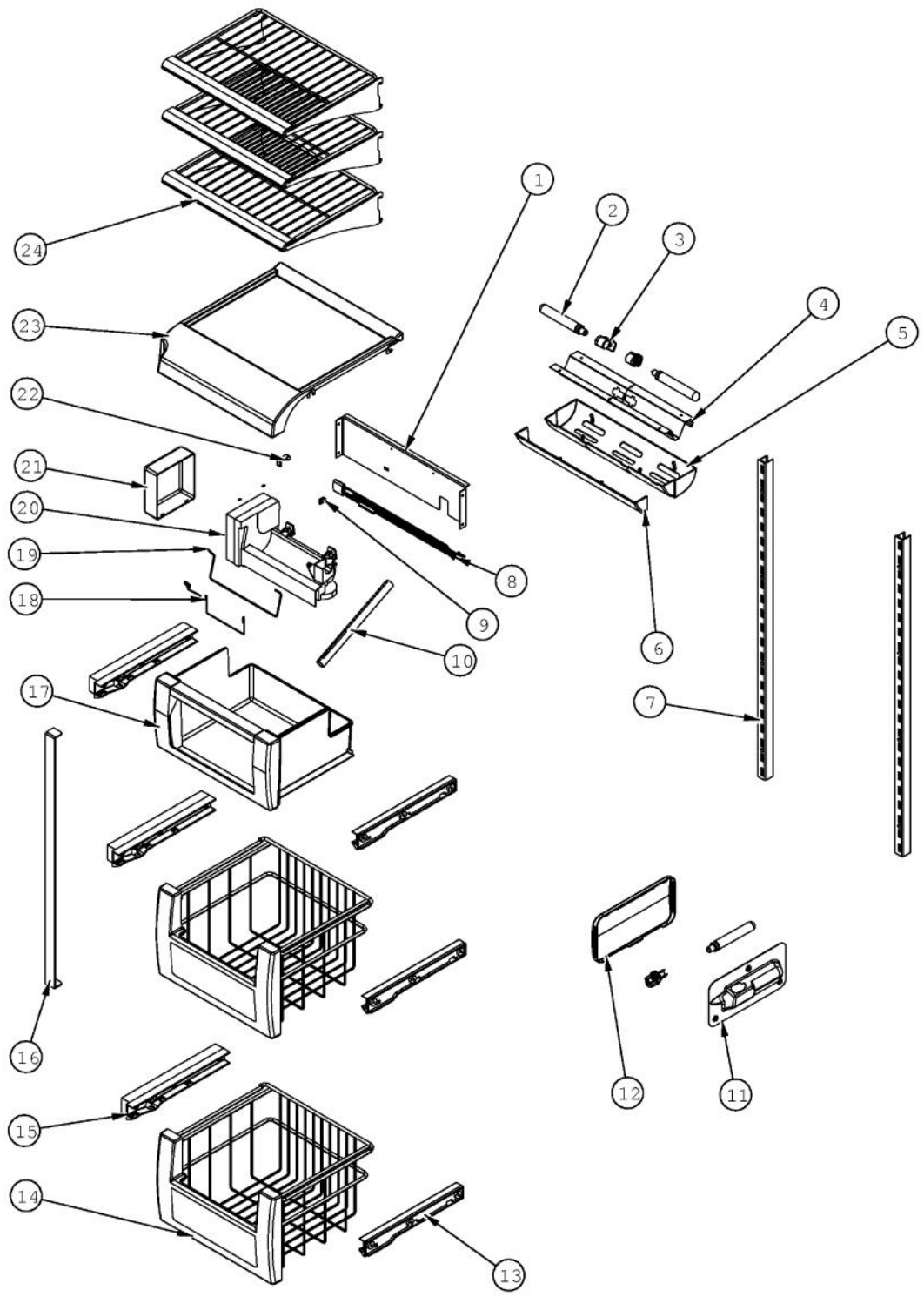
Ref #	Part Number	Qty.	Description
1	PF930487	1	TECH LITERATURE LABEL - 2
2	K20915000	1	CONTROL BOX TOP
3	016928-000	1	CONTROL BOX
4	PC040010	8	POP RIVET
5	019993-000	1	BRACKET - PC
6	015365-000	1	HARNESS HIGH VOLT
7	PE970464	1	HARNESS LOW VOLT
8	PE970609	1	HARNESS CONTROL BOARD
9	10916507	1	TUBE-PROCESS GRN
10	PC920203	1	HINGE ASM UR
11	014190-000	2	BRACKET GRILLE SUPPORT
12	M0104106	1	CLIP-CORD VM0104106
13	PE950149	1	SWITCH POWER
14	025433-000	1	BRACKET,SW,POWER
15	016930-000	1	CONTROL BOX FRONT
16	016527-000	1	PANEL CONTROL SXS 42
17	016270-000	1	OVERLAY,SW,ASM,SXS 42
18	M0224128	2	SCREW-SM
19	12064001	2	SUPP-CONT PANEL
20	PF930672	1	LABEL DC COMPRESSOR
21	PC920204	1	HINGE ASM UL
22	014519-000	1	DIVERTER AIR HI SIDE SXS
23	M0585504	10	SUPPORT
24	017695-000	1	BOARD LOW VOLTAGE
25	005319-000	1	POWER CONTROL BOARD ASM
26	005396-000	1	FILM,PROTECTIVE
27	A4554817	2	BUSHING-SNAP VA4554817
28	PD020194	4	SCREW-SM
29	A3030361	1	GASKET, RED



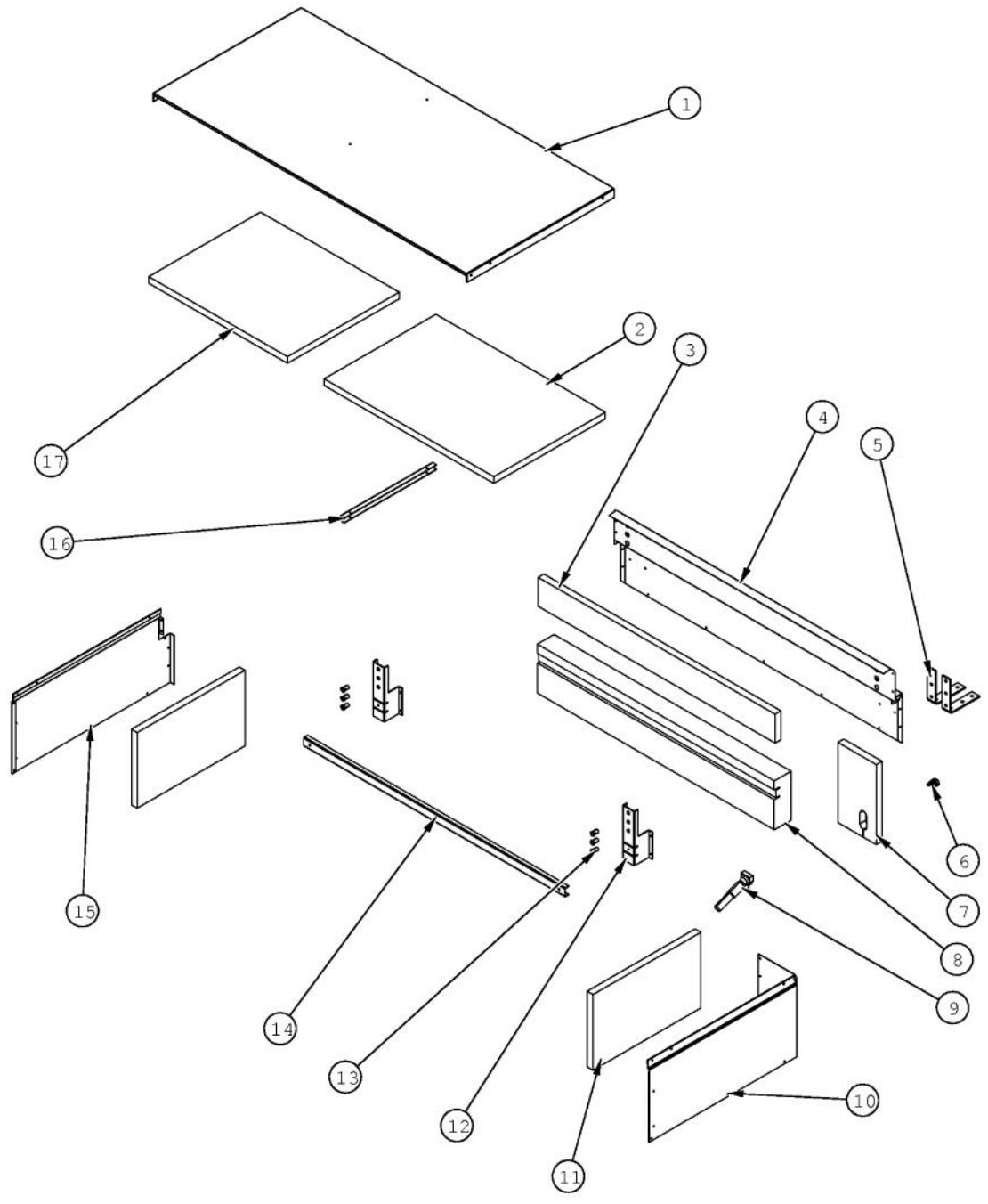
Ref #	Part Number	Qty.	Description
1	L2097181	1	COVER EVAP UPPER SXS 48
2	12231701	2	LADDER-FZ L/R SIDE
3	F2097793	1	TUBE FORMED HT EXCH
4	K2096456	2	BRKT-EVAP CLIP 12215101
5	10623003	2	CLIP-EVAP
6	10527401	2	CLIP-EVAP
7	10629001	2	BLOCK-R AIR COIL RED
8	PM910206	1	EVAPORATOR SXS 48
9	10428101	2	CLIP-EVAP HTR V10428101
10	PJ910031	1	HEATER EVAP SXS
11	PB910259	1	THERMOSTAT DEFROST TERMINATOR
12	L2097182	1	COVER EVAP LOWER SXS 48
13	PK930150	1	COVER CTR EVAP
14	K2096461	2	BRKT-EVAP COVER 12234801
15	K2096458	1	BRKT-L-EVAP-FAN 12223102
16	C8983701	1	THERMISTOR
17	PE950133	1	MOTOR FAN EVAP PANASONIC
18	A1017202	2	GROMMET-FAN VA1017202
19	PM010605	1	BRACKET MTR/SHROUD
20	10855402	1	FAN-EVAP/4.330
21	12234001	4	GROMMET-VIBRATION
22	PM910169	1	SHROUD EVAP FAN
23	PD020193	4	SCR 8-18 X 3/8
24	PM910276	1	GROMMET FAN MOTOR
25	L2198650	1	BRACKET FAN EVAP VEN
26	K2096457	1	BRKT-R-EVAP FAN 12223101
27	A3189370	1	GASKET-FOAM VA3189370



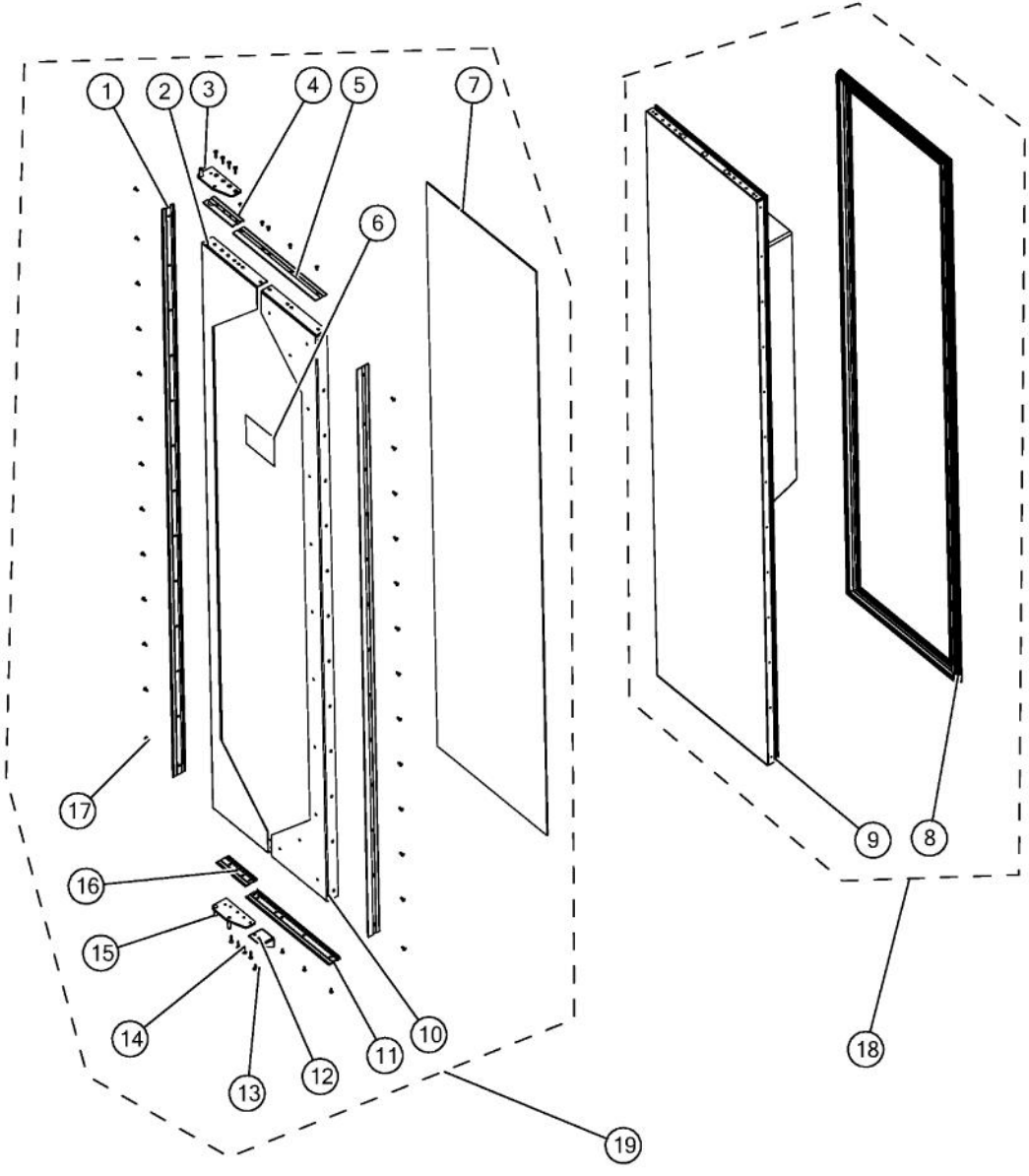
Ref #	Part Number	Qty.	Description
1	PK930086	1	COVER FAN SXS 48 FZ
2	007302-000	1	BRACKET,FAN
3	004551-000	1	AXIAL FAN
4	007301-000	4	GROMMET,RUBBER
5	M0104106	1	CLIP-CORD VM0104106
6	PE950125	3	LIGHT SOCKET
7	010093-000	1	PLASMA CLUSTER
8	C8983701	1	THERMISTOR
9	012312-000	1	FAN COVER SXS
10	10270203	2	HOUSING-LIGHT V10270203
11	PK930346	2	COVER LIGHT
12	004528-000	3	LAMP, 40 WATT BLUE LIGHT
13	L2099474	1	BRACKET LIGHT SXS 42 FF
14	020118-000	1	COVER LIGHT LENS SXS 42 FF
15	020119-000	1	COVER LIGHT SXS 42 FF
16	PM910343	2	RAIL DRAWER R
17	PD920162	8	SCR 8-16 PLASTITE PNP 1/4 S
18	PK930290	2	SUPPORT SLIDE R
19	PK930171	1	DUCT MEAT SAVOR SXS 42 REAR
20	PM910287	1	SLIDE MEAT SAVOR R
21	PK930175	1	SUPPORT DRAWER MEAT SAVOR SXS 42/48 R
22	PK930173	1	SUPPORT SLIDE MEAT SAVOR SXS 42/48 R
23	PK020080	1	LADDER FF L SXS 42/48
24	PK920024	1	LADDER FF R
25	PK930169	1	DUCT MEAT SAVOR SXS 42/48 R
26	PK930168	1	DIAL CONTROL MEAT SAVOR
27	PK930172	1	COVER CONTROL MEAT SAVOR
28	PM910334	1	ROLLER TENSION
29	PK930114	1	DRAWER MEAT SAVOR SXS 42
30	020111-000	1	DOOR MEATSAVOR ASM SXS 42
31	PK930120	1	SHELF MEAT SAVOR SXS 42
32	PM910288	1	SLIDE MEAT SAVOR L
33	PK930174	1	SUPPORT SLIDE MEAT SAVOR SXS 42/48 L
34	PK930176	1	SUPPORT DRAWER MEAT SAVOR 42/48 L
35	PK930170	1	DUCT MEAT SAVOR SXS 42 L
36	009927-000	1	PRODUCE 42
37	PM910342	2	RAIL DRAWER L
38	PM910388	4	SLIDE DRAWER (R & L)
39	PK930291	2	SUPPORT SLIDE L
40	PM910350	4	SHELF ASM GLASS SXS 42 FF
41	PK930121	1	DRAWER DELI ASM SXS 42
42	PD920161	20	SCR 8-16 PLASTITE PNP 3/8 S



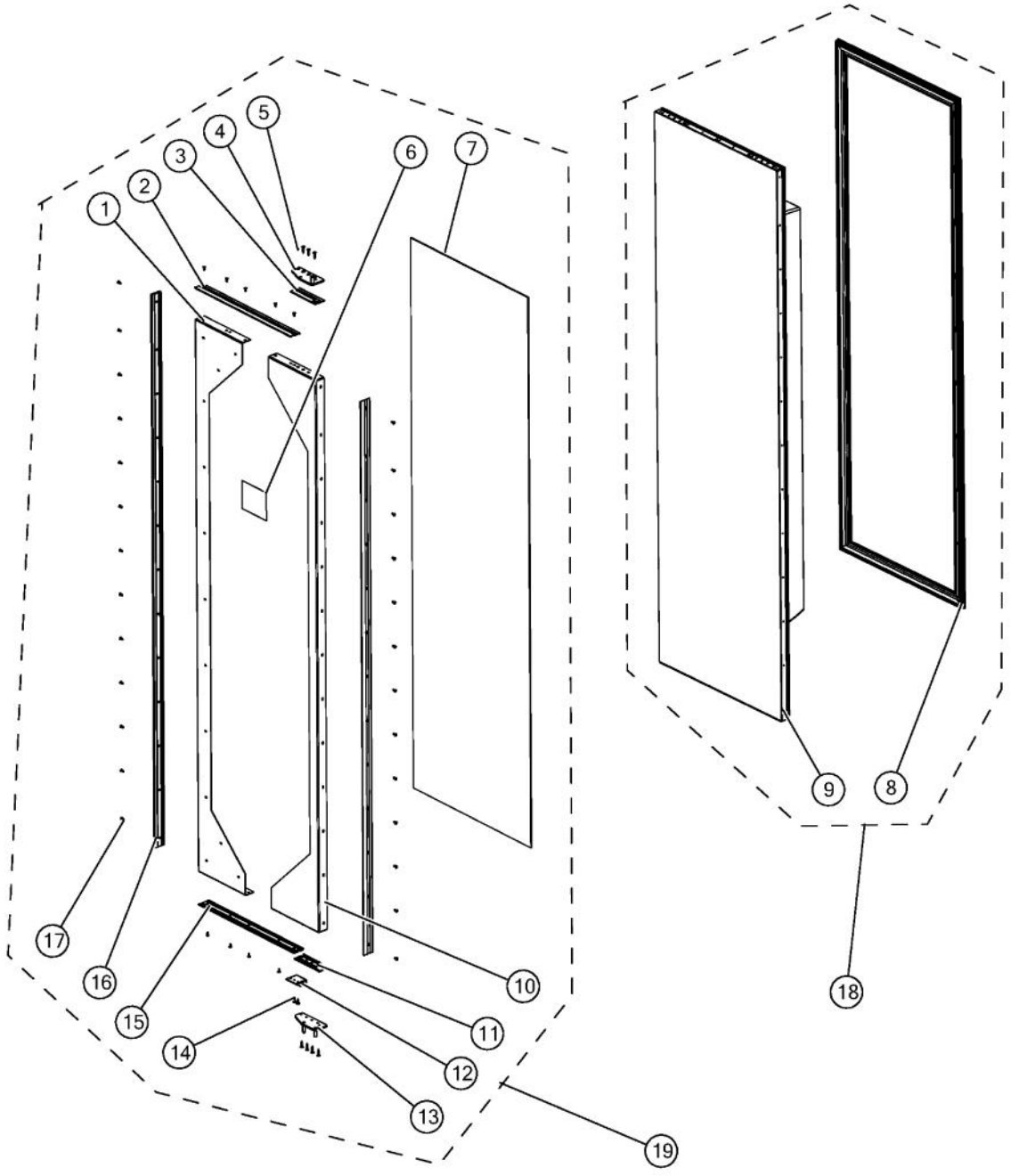
Ref #	Part Number	Qty.	Description
1	C9097183WH	1	SUPPORT IM ND SXS 48 WH
2	004528-000	6	LAMP, 40 WATT BLUE LIGHT
3	PE950125	3	LIGHT SOCKET
4	L2099475	1	BRACKET LIGHT SXS FZ
5	020115-000	1	COVER LIGHT LENS SXS 42 FZ
6	020116-000	1	COVER LIGHT SXS 42 FZ
7	12231701	2	LADDER-FZ L/R SIDE
8	D7813004	1	HARNESS-MOD IM VD7813004
9	PD030155	1	CLIP-IM FILL CUP
10	013928-000	1	FILL TUBE AF/SXS ND
11	10270203	1	HOUSING-LIGHT V10270203
12	PK930346	1	COVER LIGHT
13	PK930074	3	GLIDE SXS 48 FZ R
14	PM910190	2	BASKET ASM FZ
15	PK930075	3	GLIDE SXS 48 FZ L
16	PK930073	1	CLOSEOUT SIDE SXS 48 FZ L
17	PK930076	1	ICE PAN ASM SXS 48
18	007082-000	1	WIRE, IM SHUTOFF
19	002329-000	1	ARM, IM SHUTOFF
20	002252-000	1	ICE MAKER
21	PM010542	1	ICE MAKER COVER
22	10526701	1	CLAMP-WIRE V10526701
23	PK930079	1	SHELF COVER SXS 48 FZ
24	PM910189	3	SHELF WIRE FZ



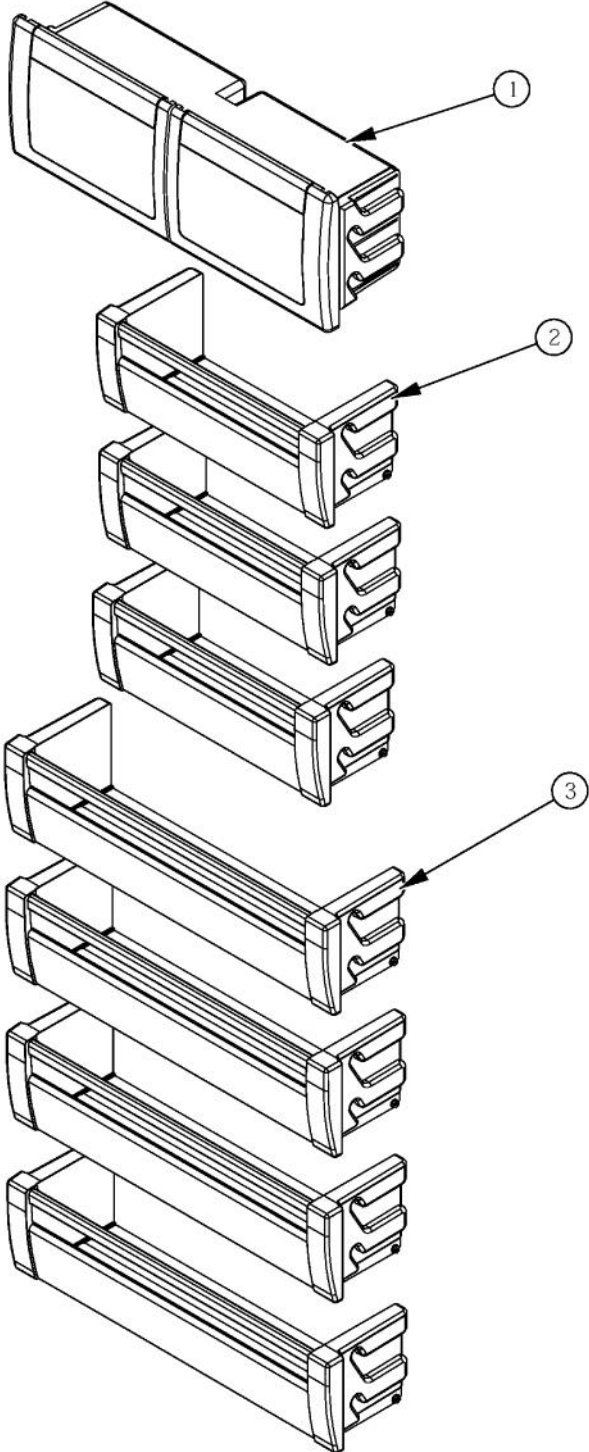
Ref #	Part Number	Qty.	Description
1	K2099458	1	MC TOP SXS 42
2	015031-000	1	INSULATION,FOAM,MC TOP RIGHT 42
3	PB070360	1	INSULATION MC COVER
4	K2099461	1	MC BACK 42
5	PK910089	2	BRACKET, ANTI - TIP
6	003104-000	1	BUSHING,STRN,RLF
7	007341-000	1	INSL, MC, BACK SIDE
8	PB070361	1	INSULATION MC COVER
9	G5096419	1	FILL TUBE ASSY 10942511
10	004614-000	1	MC SIDE R
11	PB070355	2	INSULATION MC COVER
12	K20915675	2	BRACKET PSM
13	PD040157	6	BEARING SLEEVE
14	K20915903	1	CROSSMEMBER PSM 42
15	K2099460	1	MC SIDE L
16	K2099455	1	SUPPORT MC Z
17	015032-000	1	INSULATION,FOAM,MC TOP LEFT 42



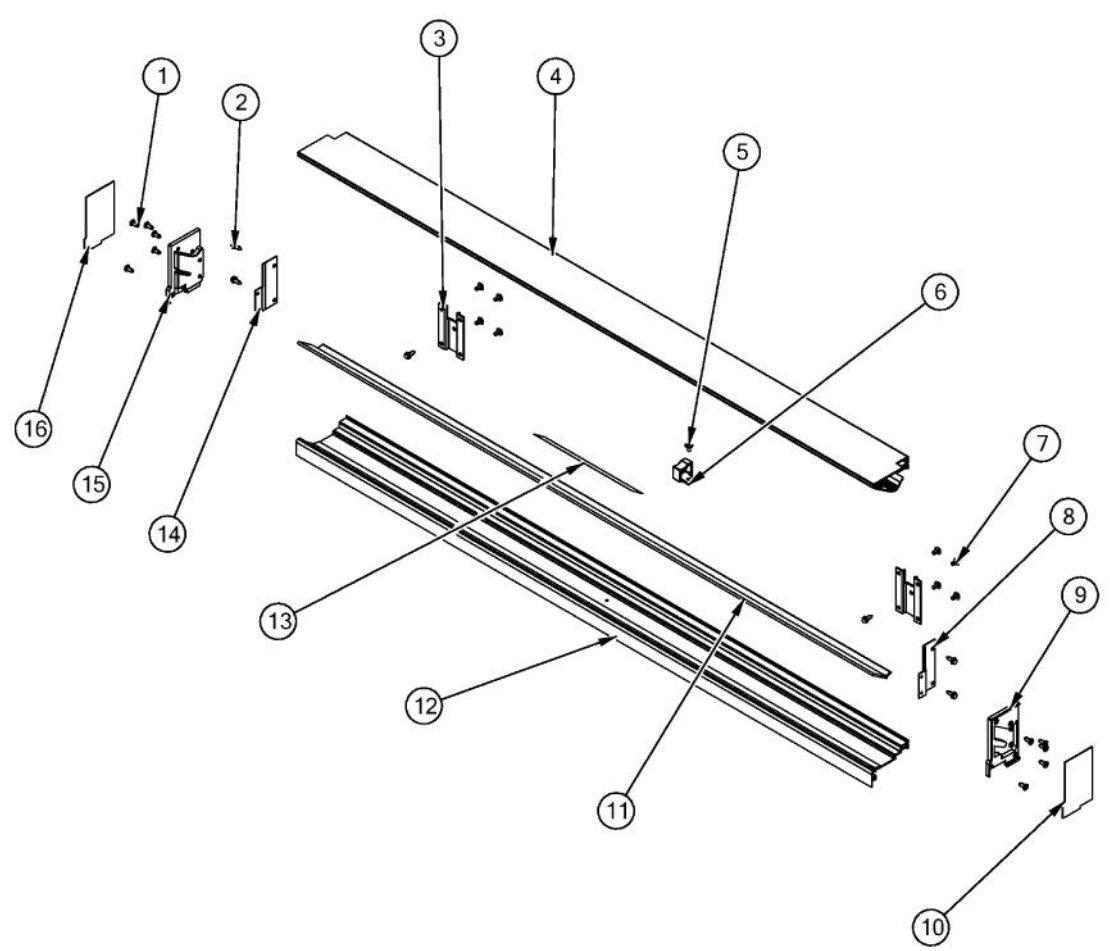
Ref #	Part Number	Qty.	Description
1	000950-000	1	BRACKET,PNL,FULL OVERLAY
2	007377-000	1	BRACKET, SIDE, HINGE, FULL OVERLAY
3	031379-000	1	PIVOT PLATE ASM LH UP FOL SXS, AFAR
4	000537-000	1	SPACER BOTTOM HINGE LR
5	000998-000	1	EXTRUSION,FOL, TOP,42 SXS
6	PF931036	1	LABEL FOL DOOR BOW
7	003620-000	1	SHEET,FOAM,42/48 FZ
8	005452-000	1	GASKET,ASM,42,SXS,FZ VIDNO. 602711817-17
9	007519-000	1	DOOR FOAM ASM SXS 42 FZ
10	000950-000	1	BRACKET,PNL,FULL OVERLAY
11	004499-000	1	EXTRUSION,FOL,BOT,42 FZ
12	PD050019	1	STRIKER DOOR SWITCH
13	M0210458	2	SCREW-SM
14	PD920174	8	10-32 TORX HEAD SCREW
15	016180-000	1	PIVOT PL AS LH LW FOL
16	000538-000	1	SPACER BOTTOM HINGE LL
17	M0215318	35	SCREW-SM
18	007483-000	1	DOOR ASM SXS 42 FZ
19	008761-000	1	DOOR ASM COMPLETE SXS 42 FOL FZ



Ref #	Part Number	Qty.	Description
1	000950-000	1	BRACKET,PNL,FULL OVERLAY
2	000968-000	1	EXTRUSION,FOL, TOP,42,FF
3	034902-000	1	EXTRUSION, FOL, PIVOT PLATE SPACER, RIGHT
4	033785-000	1	PIVOT PLATE ASM RH UP FOL SXS, AFAR
5	PD920174	8	10-32 TORX HEAD SCREW
6	PF931036	1	LABEL FOL DOOR BOW
7	003643-000	1	SHEET,FOAM,42 FF
8	005451-000	1	GASKET,ASM,42,SXS,FF VIDNO. 602711807-17
9	007514-000	1	DOOR FOAM ASM SXS 42 FF
10	007377-000	1	BRACKET, SIDE, HINGE, FULL OVERLAY
11	034903-000	1	EXTRUSION, FOL, PIVOT PLATE SPACER, LEFT
12	PD050019	1	STRIKER DOOR SWITCH
13	016179-000	1	PIVOT PL ASM RH LW FOL
14	M0210458	2	SCREW-SM
15	004322-000	1	EXTRUSION,FOL,BOTTOM,42 FF
16	000953-000	2	EXTRUSION, FOL, SIDE
17	M0215318	35	SCREW-SM
18	007478-000	1	DOOR ASM SXS 42/42D FF
19	008753-000	1	DOOR ASM COMPLETE SXS 42 FOL FF



Ref #	Part Number	Qty.	Description
1	PK930123	1	DAIRY MODULE ASM SXS 42
2	G5098676	3	DOORBIN ASM SXS 42 & 48 FZ
3	G5098675	4	DOORBIN ASM SXS 42 FF
NI	019244-000	1	ACCESSORY, ASM



Ref #	Part Number	Qty.	Description
1	M0215318	10	SCREW-SM
2	PD020194	6	SCREW-SM
3	PK050004	2	BRACKET GRILLE
4	PM910304	1	GRILLE UPPER SXS 42 DES
5	M0230028	1	SCREW-TC
6	PM910084	1	SUPPORT GRILLE 12201201
7	M0224128	8	SCREW-SM
8	K2099470	1	BRACKET GRILLE SUPPORT R
9	PM910348	1	ENP CAP GRILLE R
10	033729-000	1	ENDCAP, GRILLE, R, HINGE
11	PM910305	1	GRILLE CENTER SXS 42 DES
12	016193-000	1	GRILLE LOWER SXS 42 DES
13	PF930523	1	GRILL BLADE LABEL (REFRIGERATOR)
14	K2099471	1	BRACKET GRILLE SUPPORT L
15	PM910349	1	END CAP GRILLE L
16	033709-000	1	ENDCAP, GRILLE, L, HINGE