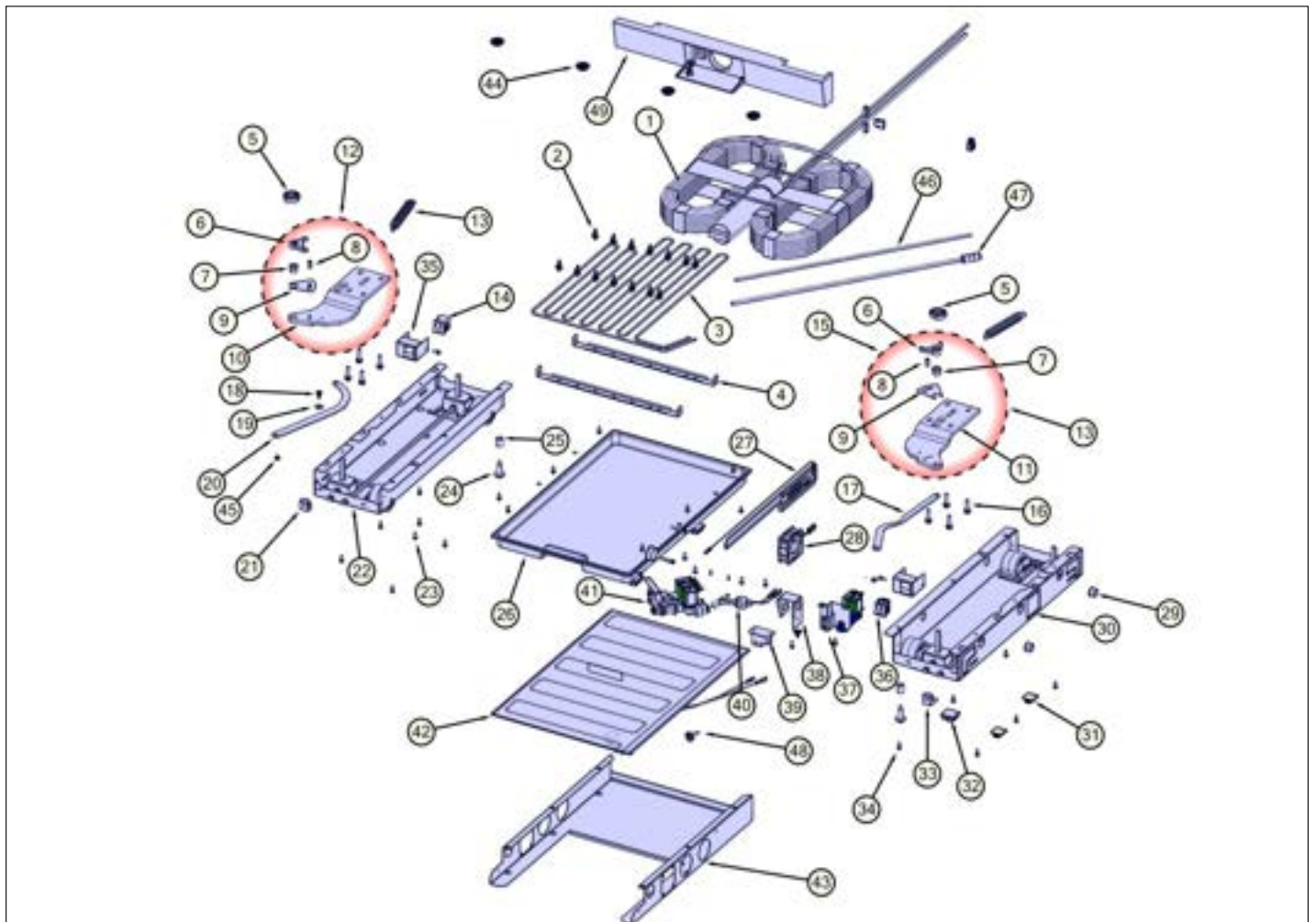


FDSB5422D

Bottom View	1
FF Interior Shelving View	2
Control View	3
Dispenser Asm View	4
Decor View	5
FZ Interior Shelving View	6
Lo Side Asm View	7
Top View	8
FZ Door View	9
FF Door View	10
Harness View	11
Appendix A:Pages Index	A
Appendix B:Parts Index	B

Bottom View



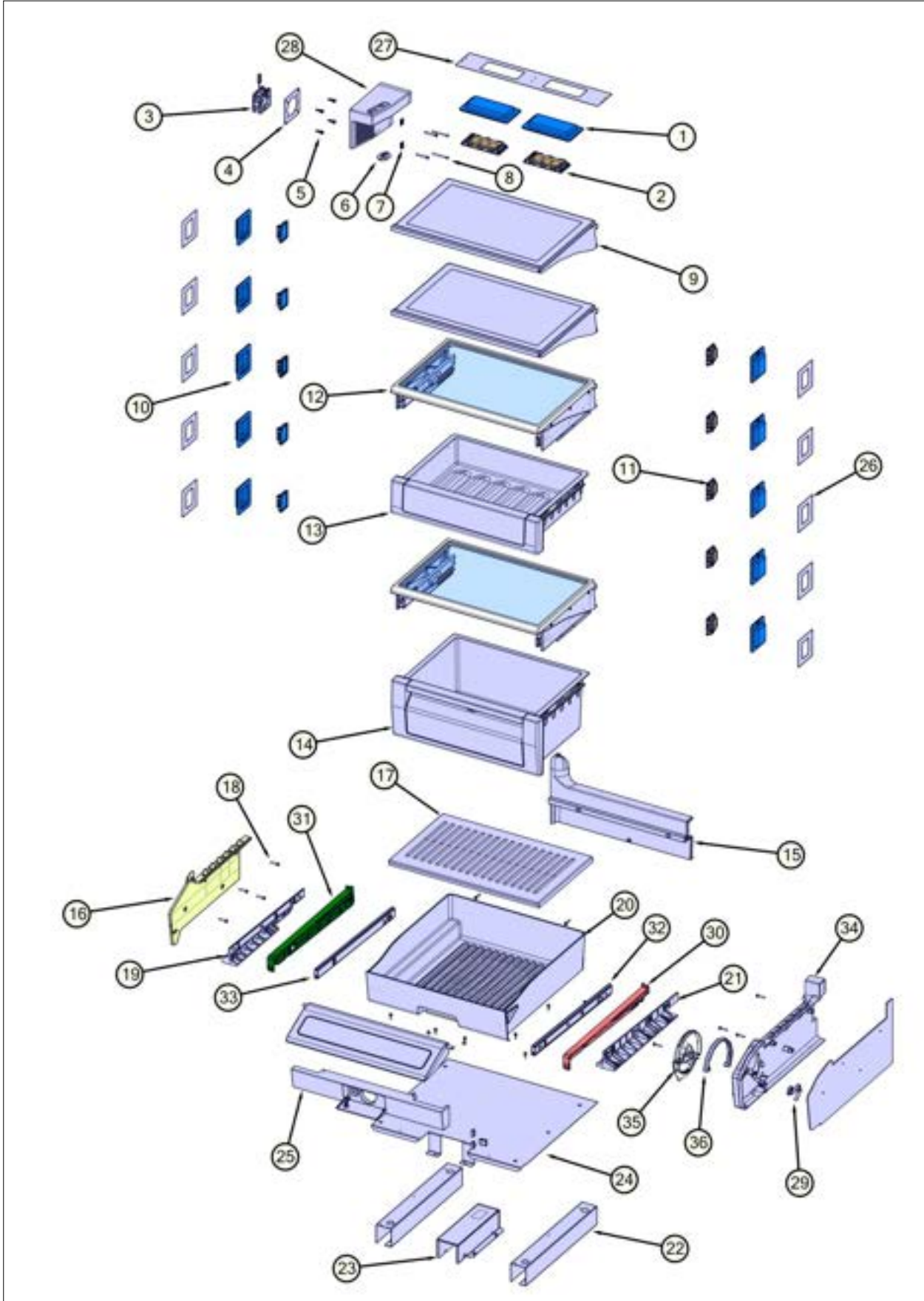


Item	Part No.	Name	Qty	Uom	NOTES
1	041669-000	FILTER/COIL TUBE ASM	1	EA	
2	PD030146	STAND OFF LOCK CLIP	14	EA	
3	F20915693	SERPENTINE CONDENSER DRAIN ALL SXS'S	1	EA	
4	K20911831	BRACKET CONDENSATE SUPPORT	2	EA	
5	044370-000	CAM DOOR ADJUSTMENT	2	EA	
6	044372-000	BUSHING, DOOR STOP	2	EA	
7	044373-000	BUSHING, DOOR LEVEL	2	EA	
8	044374-000	PIN, DOOR STOP	2	EA	
9	044511-000	PLATE, DOOR, SHIM	2	EA	
10	044046-000	HINGE PLATE, LH, LWR 30/36AFAR, 42, 48	1	EA	
11	044026-000	HINGE PLATE, RH, LWR 30/36ARAF, 42, 48	1	EA	
12	045057-000	HINGE ASM COMPLETE LL	1	EA	
13	pc910015	SPRING EXTENSION	2	EA	
14	046062-000	SWITCH, SPDT GRAY	1	EA	
15	045684-000	HINGE ASM COMPLETE LR	1	EA	
16	000570-000	FASTENER, BOLT, 1/4-20 IHXWS 1" S ZN SER	8	EA	
17	043261-000	BAR, BOTTOM HINGE, RH, WC	1	EA	
18	PD020068	SCREW	2	EA	
19	044377-000	WSHR FENDER, .219 X .68 X .030	2	EA	
20	043258-000	BAR, BOTTOM HINGE, LH, WC	1	EA	
21	K2098096	BRKT GRILLE SUPPORT	1	EA	
22	060891-000	LEVELER, MODULE, L	1	EA	
23	M0220417	SCREW-TC	8	EA	
24	M0221523	SCREW - SHLDR	2	EA	
25	PD940107	ROUND SPRING SPACER	2	EA	
26	PK930348	PAN DRAIN	1	EA	
27	008501-000	HEATER PKT CBL WI CHASE	1	EA	
28	013112-000	AXIAL FAN	1	EA	
29	A4554806	BUSHING-SNAP VA4554806	2	EA	
30	060890-000	LEVELER, MODULE, R	1	EA	



Item	Part No.	Name	Qty	Uom	NOTES
31	m0104106	CLIP-CORD VM0104106	2	EA	
32	M0104102	CLIP-CORD RED	3	EA	
33	K2098044	BRKT GRILLE SUPPORT	1	EA	
34	PD020194	SCR, HEX SRTD WSHR HD, #8-18 X 1/2	20	EA	
35	044939-000	BRACKET, LT SWITCH	2	EA	
36	046063-000	SWITCH, SPST NC GRAY	1	EA	
37	G32915704	BRKT AND VALVE SINGLE ASM DISP	1	EA	
38	B20915627	BRACKET HORIZ FLOAT SWITCH	1	EA	
39	014808-000	RELAY,WATER VALVE	1	EA	
40	PE050248	FLOAT SWITCH HORIZONTAL	1	EA	
41	G32914174	BRKT & VALVE J.G. INLET ASM	1	EA	
42	G50911853	TRAY PAN HEATER	1	EA	
43	K20915952	SHIELD BOTTOM DRAIN	1	EA	
44	10712401	PLUG-VENT	4	EA	
45	PD940094	BUSHING	2	EA	
46	044034-000	TUBING, ROLL, PEX 1/4"	7.75ft	EA	
47	PB020294	TUBE ASM-DOOR TO VALVE	1	EA	
48	PB020301	STEM ELBOW 1/4 V# PP220808W	1	EA	
49	G50910716	FALSE FRONT ASM, SXS 42 DISP	1	EA	

FF Interior Shelving View



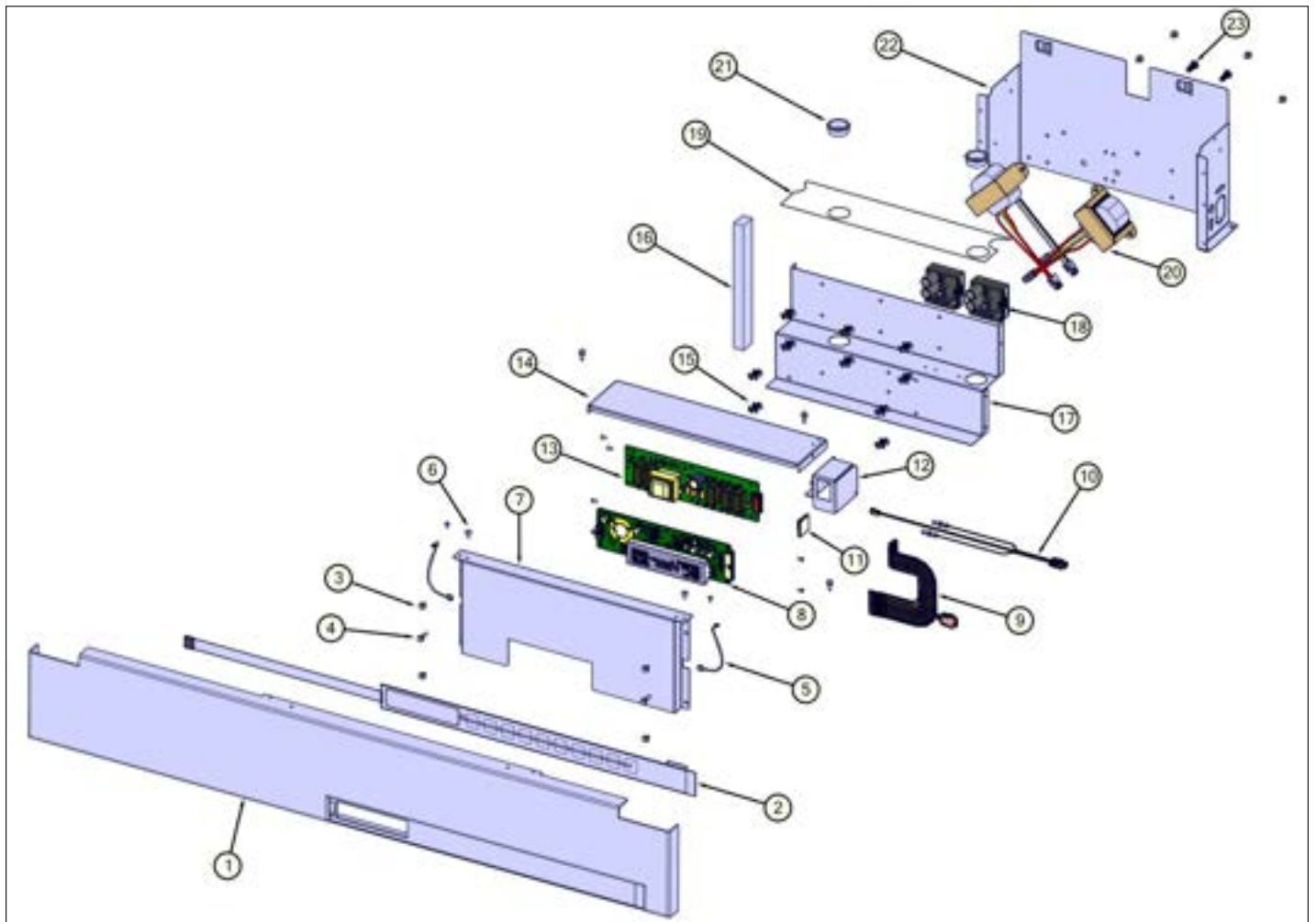


Item	Part No.	Name	Qty	Uom	NOTES
1	046357-000	LED CUP ASSY (8)	2	EA	
2	042766-000	LED LIGHT, 8-POINT	2	EA	
3	013112-000	AXIAL FAN	1	EA	
4	007302-000	BRACKET,FAN	1	EA	
5	007301-000	GROMMET,RUBBER	4	EA	
6	C8983701	THERMISTOR	1	EA	
7	M0288120	NUT-SPEED VM0288120	2	EA	
8	M0221913	SCREW-SM	4	EA	
9	042676-000	SHELF, GL, 42" NANO SHELF ASSY	2	EA	
10	046358-000	LED CUP ASSY (3) (NON-SERVICEABLE PART)	10	EA	
11	042764-000	LED LIGHT, 3-POINT	10	EA	
12	045688-000	SHELF & SLIDE ASM SXS 42	2	EA	
13	G32910068	DRAWER DELI & RAIL ASM SXS 42	1	EA	
14	012809-000	PRODUCE DRAWER & RAIL ASM SXS 42	1	EA	
15	PK930171	DUCT MEAT SAVOR SXS 42 REAR	1	EA	
16	PK930170	DUCT MEAT SAVOR SXS 42 L	1	EA	
17	PK930120	SHELF MEAT SAVOR SXS 42	1	EA	
18	M0211021	SCREW-SM	7	EA	
19	PK930174	SUPPORT SLIDE MEAT SAVOR SXS 42/48 L	1	EA	
20	PK930114	DRAWER MEAT SAVOR SXS 42	1	EA	
21	PK930173	SUPPORT SLIDE MEAT SAVOR SXS 42/48 R	1	EA	
22	K20913096	BRACKET FALSE FLOOR	2	EA	
23	G50913708	ASM COVER WATER FILTER	1	EA	
24	L2099251	FLOOR FALSE 42 SXS DISP	1	EA	
25	045689-000	DOOR MEATSAVOR ASM SXS 42	1	EA	
26	044694-000	LED SHIM, SMALL SINGLE (NON-SERVICEABLE PART)	10	EA	
27	045061-000	SHIM, LED 42 FF	1	EA	
28	045686-000	HOUSING, PCI, ASM, SXS	1	EA	



Item	Part No.	Name	Qty	Uom	NOTES
29	PM910334	ROLLER TENSION	1	EA	
30	PK930175	SUPPORT DRAWER MEAT SAVOR SXS 42/48 R	1	EA	
31	PK930176	SUPPORT DRAWER MEAT SAVOR 42/48 L	1	EA	
32	PM910287	SLIDE MEAT SAVOR R	1	EA	
33	PM910288	SLIDE MEAT SAVOR L	1	EA	
Comments for Part Num. PM910288					
profixappliances@gmail.com on May 3, 2017					
ITEM # 5 SHOULD BE PK930288-DOOR MEATSAVOR ASM AR/BM 36					
34	044232-000	DUCT MEAT SAVOR (R)	1	EA	
35	044384-000	DIAL CONTROL MEAT SAVOR	1	EA	
36	044385-000	COVER CONTROL MEATSAVER	1	EA	

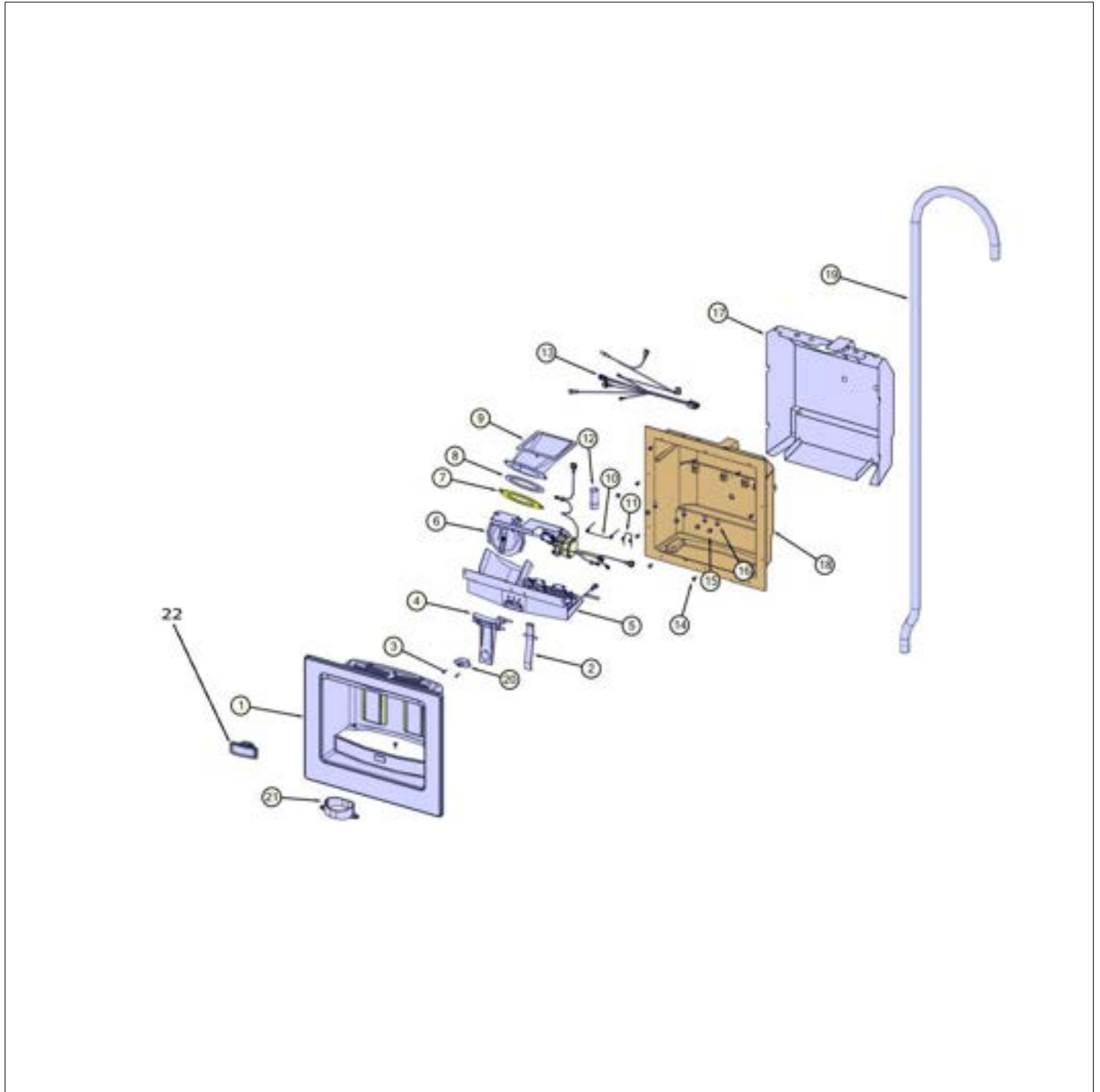
Control View





Item	Part No.	Name	Qty	Uom	NOTES
1	016527-000	PANEL CONTROL SXS 42	1	EA	
2	043634-000	OVERLAY, SW, ASM, SXS, 42 DISP	1	EA	
3	PD020193	SCR 8-18 X 3/8	9	EA	
4	M0238859	SCREW-SHLDR	4	EA	
5	12064001	SUPP-CONT PANEL	2	EA	
6	M0224128	SCR 8-18 B TRP 5/16 S	1	EA	
7	016930-000	MOTR CONTROL BOX FRONT	1	EA	
8	057309-000	BOARD, LOW VOLTAGE	1	EA	
<p>Comments for Part Num. 057309-000</p> <p>gboltz@VikingRange.com on Apr 29, 2019 SEE TTR-0010 for installation</p>					
9	PE970464	HARNESS LOW VOLT	1	EA	
10	PE970609	HARNESS CONTROL BOARD	1	EA	
11	m0104106	CLIP-CORD VM0104106	1	EA	
12	025433-000	BRACKET,SW,POWER	1	EA	
13	005319-000	POWER CONTROL BOARD ASM	1	EA	
<p>Comments for Part Num. 005319-000</p> <p>boltz on Apr 12, 2018 See TR-0056-SP Bulletin</p>					
14	K20915000	CONTROL BOX TOP	1	EA	
15	m0585504	SUPPORT	10	EA	
16	A3030361	GASKET RED	1	EA	
17	044479-000	MOTOR BRACKET PCB	1	EA	
18	046385-000	CIRCUIT, LED SOFT START	2	EA	
19	005396-000	FILM,PROTECTIVE	1	EA	
20	046386-000	TRANSFORMER, LED SOFT START	1	EA	
21	A4554817	BUSHING-SNAP VA4554817	2	EA	
22	047016-000	MOTOR CONTROL BOX	1	EA	
23	049666-000	SCREW, THREAD ROLLING PAN HEAD	2	EA	

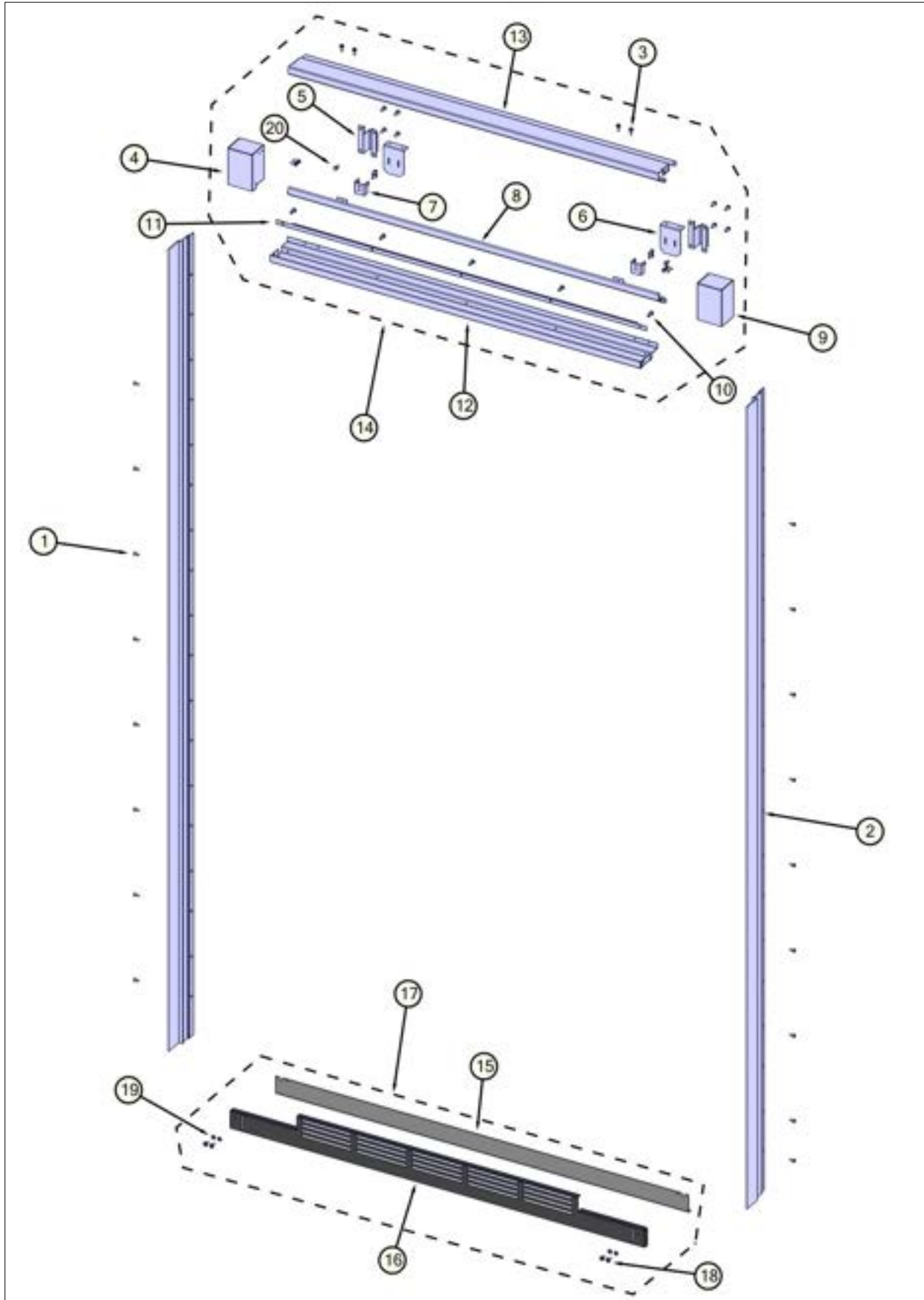
Dispenser Asm View





Item	Part No.	Name	Qty	Uom	NOTES
1	015163-000	BEZEL ASM (FOL)	1	EA	
2	pk930404	ARM WATER ACTUATOR	1	EA	
3	003334-000	SCR, #4-24 X 1/2	2	EA	
4	PK030470	ARM ICE ACTUATOR	1	EA	
5	PE070755	DISPENSER CAVITY ASSEMBLY (REPLACEMENT BULB IN ASSEMBLY 011209-000)	1	EA	
6	G50914155	ICE DISPENSER MODULE ASM	1	EA	
7	PK930401	DEFLECTOR-ICE	1	EA	
8	12193801	GASKET - ICE DR	1	EA	
9	V12348201	CHUTE ICE	1	EA	
10	PC010022	SPRING RETURN ICE ACTUATOR	1	EA	
11	B8385402	SPRING-RETURN	1	EA	
12	PK930274	TUBE CONNECTOR	1	EA	
13	042300-000	HARNESS JUMPER DISP CAVITY	1	EA	
14	M0215318	SCREW-SM	4	EA	
15	PD020193	SCR 8-18 X 3/8	11	EA	
16	B10910081	DISP RETAINER ICE ARM	4	EA	
17	PE970484	HEATER CAVITY	1	EA	
18	PK930403	CAVITY DISPENSER	1	EA	
19	PK930410	CHASE WATERLINE	1	EA	
20	PE950152	SWITCH SLIDE	1	EA	
21	036579-000	SHROUD, I/W DISPENSER	1	EA	
22	013685-000	CAP, SWITCH	1	EA	

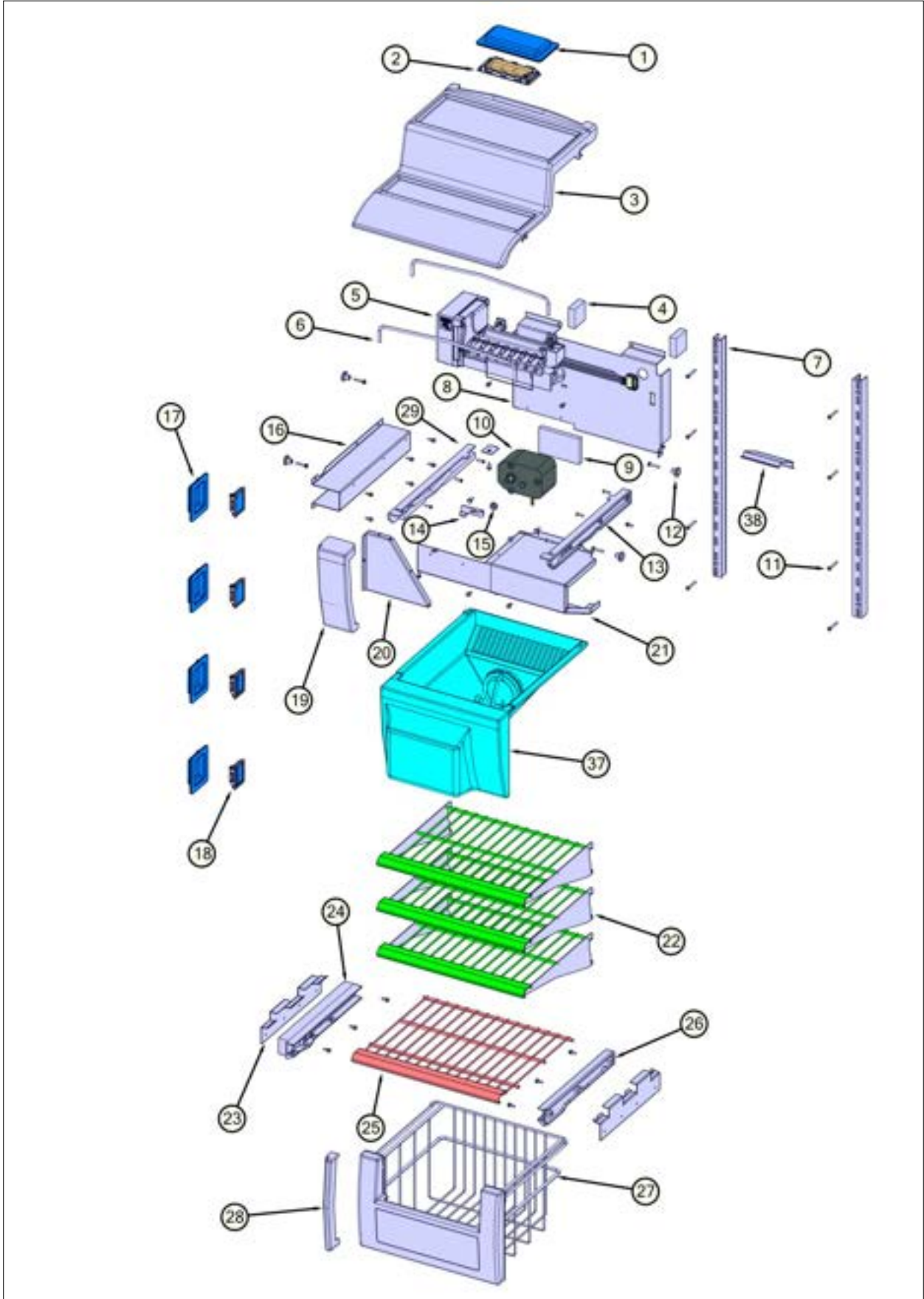
Decor View





Item	Part No.	Name	Qty	Uom	NOTES
1	M0215318	SCREW-SM	12	EA	
2	PK920066	TRIM, EXTRU, SIDE DES	2	EA	
3	M0220417	SCREW-TC	21	EA	
4	043722-000	ENDCAP, GRILLE, L, HINGE	1	EA	
5	042922-000	BRACKET GRILLE	2	EA	
6	K20916342	BRACKET GRILLE	2	EA	
7	b2096961	BRACKET-LOUVER	2	EA	
8	043715-000	GRILLE, MIDDLE LOUVER 42	1	EA	
9	043721-000	ENDCAP, GRILLE, R, HINGE	1	EA	
10	046514-000	SCR, 8-32 IHXP 7/16 S	5	EA	
11	045718-000	EXTENSION, GRILLE, SS, 42	1	EA	
12	043718-000	GRILLE, BOTTOM LOUVER 42	1	EA	
13	043712-000	GRILLE, TOP LOUVER 42	1	EA	
14	045721-000	GRILLE, ASM, 42 SXS, FOL	1	EA	
15	044991-000	SOLID, TOE, GRILLE, 42 SXS	1	EA	
16	044990-000	VENT, TOE, GRILLE, 42 SXS	1	EA	
17	044927-000	GRILLE, TOE, ASM, 42 SXS	1	EA	
18	M0210443	SCREW-E SM VM0210443	4	EA	
19	40370P01	WASHER, FLAT	1	EA	
20	PD020194	SCR, HEX SRTD WSHR HD, #8-18 X 1/2	2	EA	

FZ Interior Shelving View



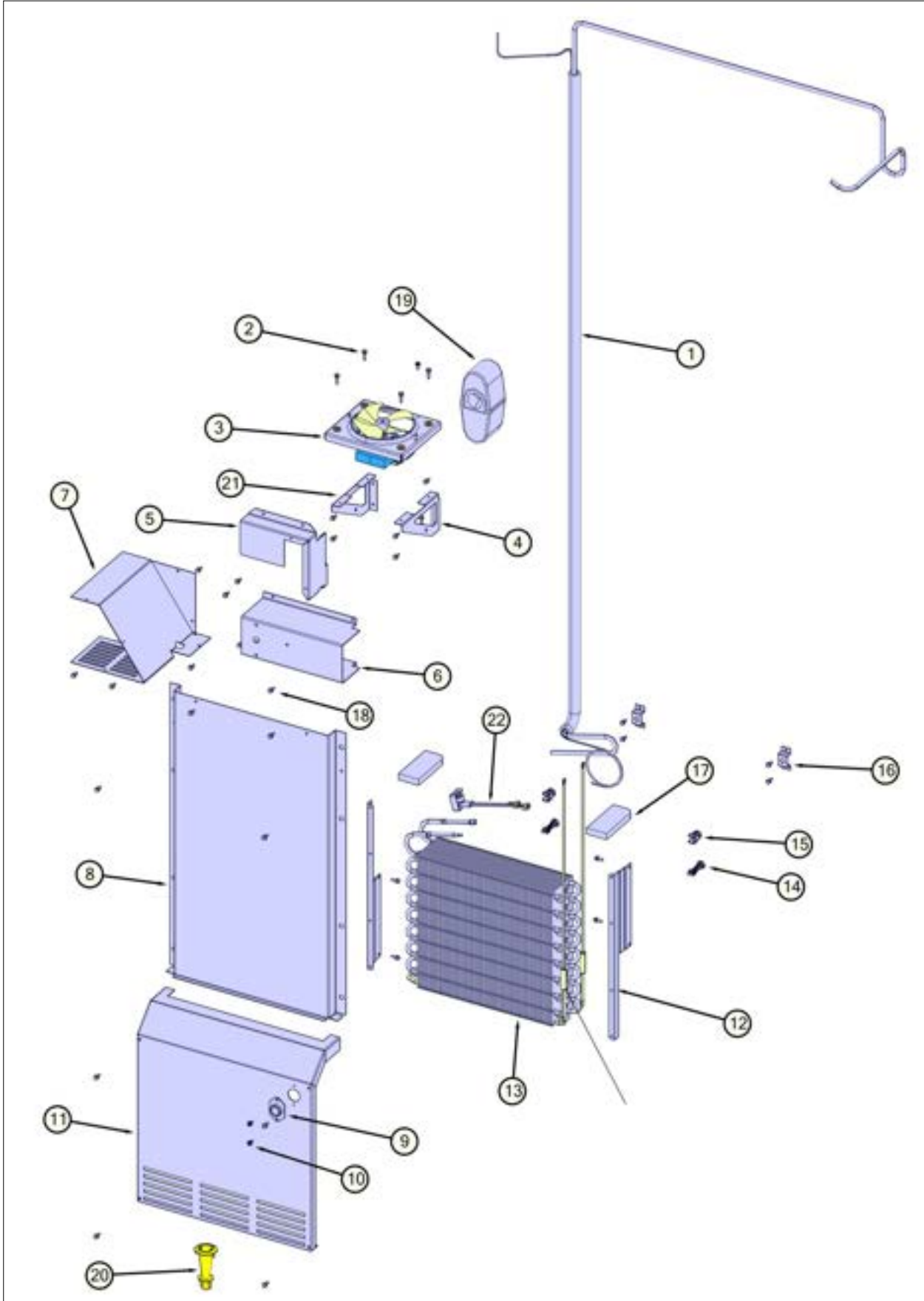


Item	Part No.	Name	Qty	Uom	NOTES
1	046357-000	LED CUP ASSY (8)	1	EA	
2	042766-000	LED LIGHT, 8-POINT	1	EA	
3	PK930264	SHELF COVER	1	EA	
4	PB970176	GASKET UPPER EVAP COVER	0.5	EA	
5	G50911851	IM ASM, SXS & AF	1	EA	
6	PM910435	RETAINER,W	2	EA	
7	PM910375	LADDER R/L FZ	2	EA	
8	L2097158WH	COVER UPPER EVAP	1	EA	
9	PM010540	FOAM-SPACER	1	EA	
10	PE950158	Motor Auger	1	EA	
11	M0238535	SCREW-SM	8	EA	
12	12258501	SUPPORT-SHELF	4	EA	
13	PK930265	GLIDE R FZ	1	EA	
14	B20911863	Driver- Ice Bucket RNG	1	EA	
15	M0223101	NUT LOCKING	1	EA	
16	C90910027WH	SUPPORT LS ICE BUCKET	1	EA	
17	046358-000	LED CUP ASSY (3) (NON-SERVICEABLE PART)	4	EA	
18	042764-000	LED LIGHT, 3-POINT	4	EA	
19	PK930096	CLOSEOUT - ICE DISPENSER	1	EA	
20	L20910075	COVER EVAP FAN	1	EA	
21	043897-000	COVER EVAP MOTOR	1	EA	
22	PM910411	SHELF WIRE 42/48	3	EA	
23	C90910067WH	BRACKET SHELF FZ	2	EA	
24	PK930075	GLIDE SXS 48 FZ L	1	EA	
25	PM910231	BASKET FZ	1	EA	
26	PK930074	GLIDE SXS 48 FZ R	1	EA	
27	PM910190	BASKET ASM FZ	1	EA	
28	PK930107	CLOSEOUT FZ SIDE DISP	1	EA	
29	PK930266	GLIDE L FZ	1	EA	
30	019144-000	ICE BUCKET ASSY	1	EA	



Item	Part No.	Name	Qty	Uom	NOTES
Comments for Part Num. 019144-000 gboltz@VikingRange.com on Mar 28, 2017 See parts bulletin 2017-03P ice bucket helix replacement					
31	044615-000	PROTECTOR, LIGHT	1	EA	

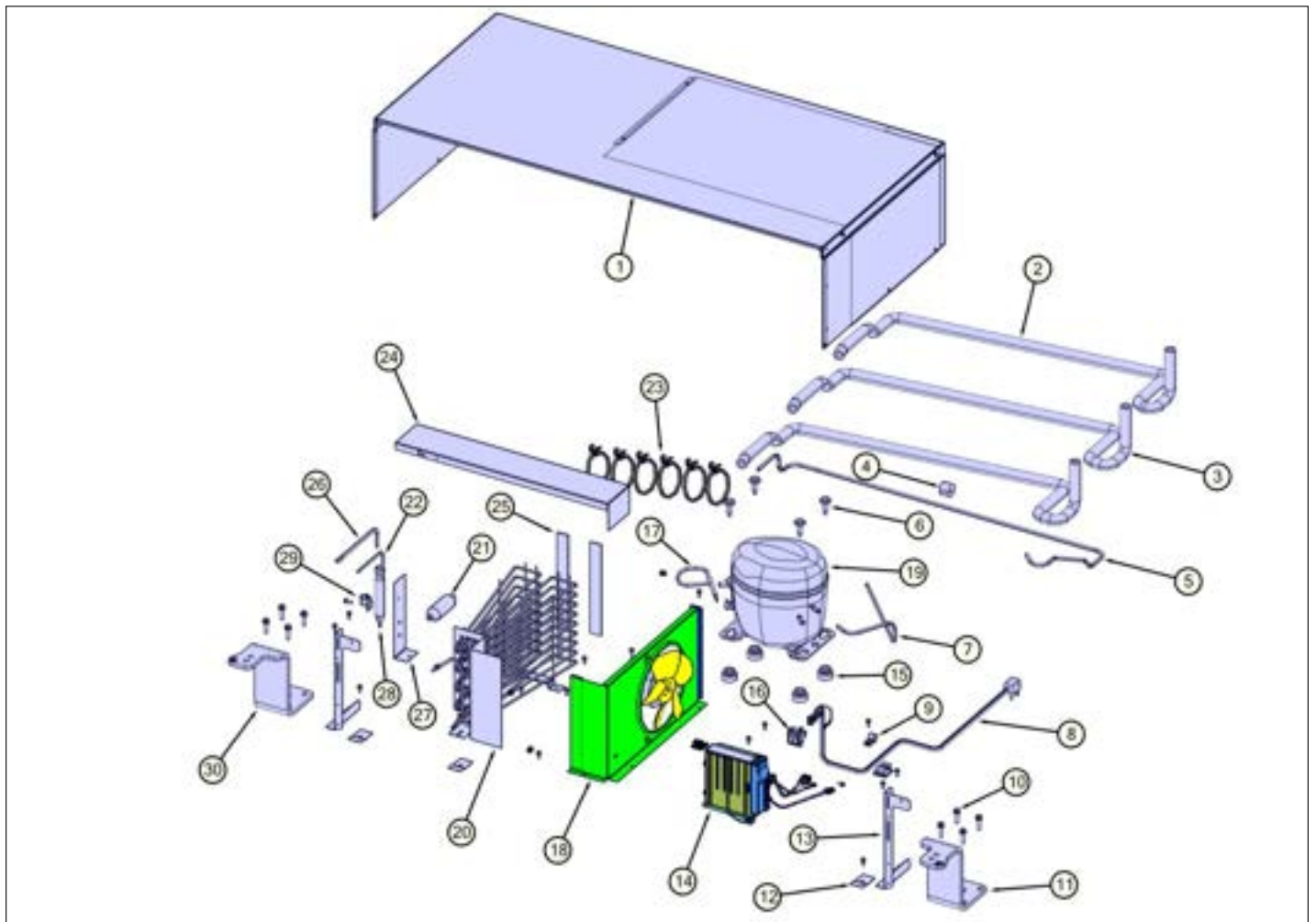
Lo Side Asm View





Item	Part No.	Name	Qty	Uom	NOTES
1	053301-000	HEAT EXCHANGER ASM SXS 48	1	EA	
2	M0238859	SCREW-SHLDR	2	EA	
3	G5098660	FAN EVAP ASM PANASONIC	1	EA	
4	K2096457	BRKT-R-EVAP FAN 12223101	1	EA	
5	L20914115	FAN BRACKET (FORMED)	1	EA	
6	C90914113WH	BRACKET - AUGER MOTOR (WH)	1	EA	
7	L20914114	FAN COVER (FORMED)	1	EA	
8	L20910057	COVER CENTER EVAP	1	EA	
9	C8983701	THERMISTOR	1	EA	
10	M0253916	SCR 8-32 SHXW 3/8 TRI-LOBE	2	EA	
11	L20910054	COVER LOWER EVAP	1	EA	
12	K2096461	BRKT-EVAP COVER 12234801	2	EA	
13	G50910020	EVAP ASM SXS	1	EA	
14	10527401	CLIP-EVAP	2	EA	
15	10623003	CLIP-EVAP	2	EA	
16	K2096456	BRKT-EVAP CLIP 12215101	2	EA	
17	10629001	BLOCK-R AIR COIL RED	2	EA	
18	PD020194	SCR, HEX SRTD WSHR HD, #8- 18 X 1/2	9	EA	
19	PM910194	BLOCK FILL TUBE	1	EA	
20	PK030540	DRAIN TUBE SXS's & 36BM	1	EA	
21	K2096458	BRKT-L-EVAP-FAN 12223102	1	EA	
22	058966-000	THERMOSTAT, SNAP ACTION, 55 OPEN 20 CLOSE	1	EA	
23	PJ910031	HEATER EVAP SXS	1	EA	

Top View



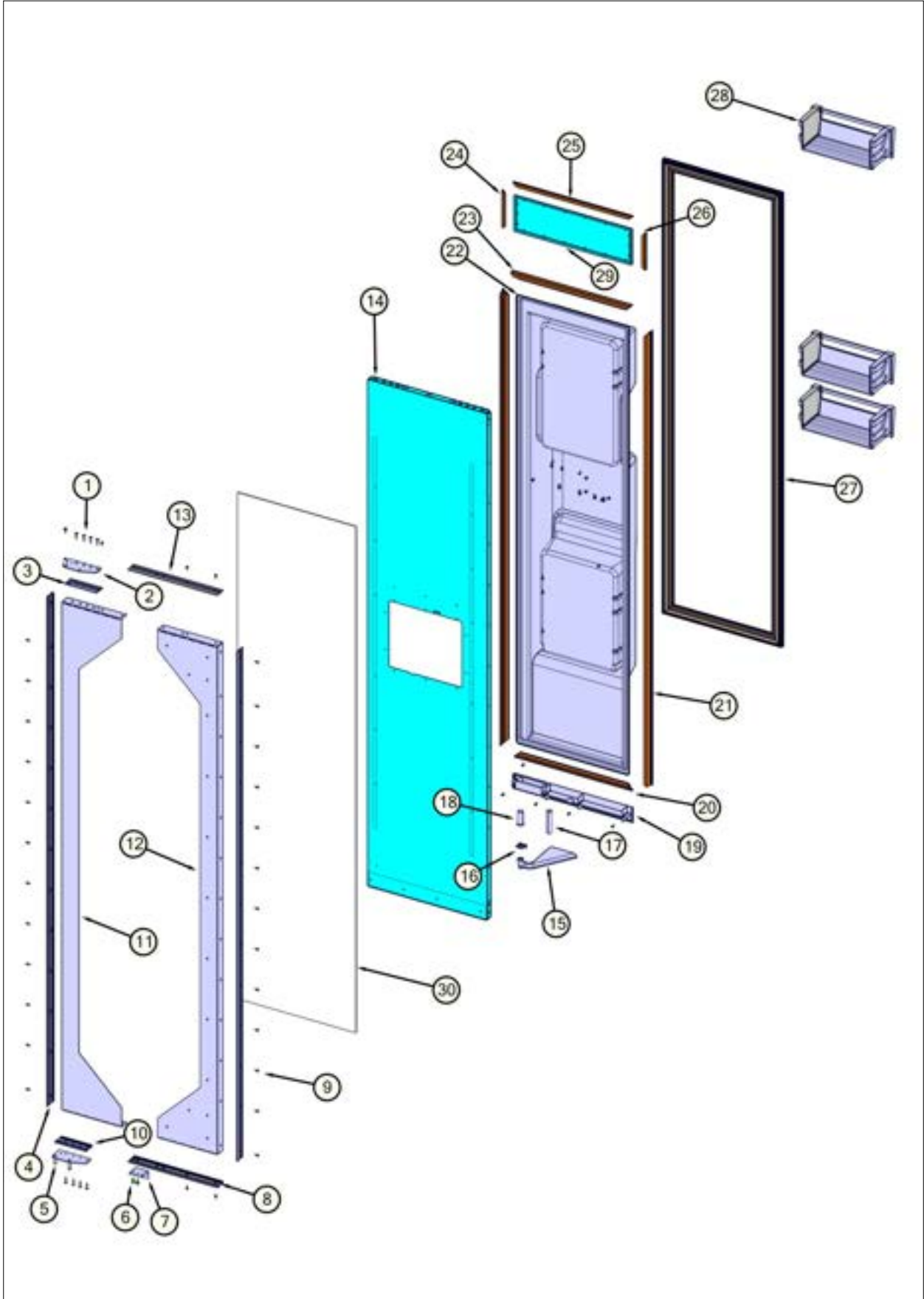


Item	Part No.	Name	Qty	Uom	NOTES
1	007980-000	MC COVER ASM 42	1	EA	
2	PB970187	INSULATION TUBING 57.500 WC, 5 SERIES	1	EA	
3	PB970188	INSULATION TUBING 45.000	1	EA	
4	10699601	DAMPER-TUBING .8	2	EA	
5	F2099443	TUBE DISCHARGE FORMED PRE ACCUM	1	EA	
6	M0221523	SCREW - SHLDR	4	EA	
7	F2099444	TUBE DISCHARGE FORMED POST ACCUM	1	EA	
8	059105-000	CORD, PWR, BM, LEAD TERMINALS	1	EA	
9	pd030118	INSULATED CLAMP	1	EA	
10	000570-000	FASTENER, BOLT, 1/4-20 IHXWS 1" S ZN SER	8	EA	
11	044359-000	UPPER HINGE ASM, RH	1	EA	
12	K2096943	PANEL BRACKET	3	EA	
13	014190-000	BRACKET, GRILLE SUPPORT	2	EA	
14	011666-000	INVERTER,CMPR,ASM	1	EA	
<p>Comments for Part Num. 011666-000</p> <p>gboltz@VikingRange.com on Aug 9, 2018 See 2018-01P Parts Bulletin</p>					
15	10835901	GROMMET RUBBER V10835901	4	EA	
16	PE950149	SWITCH POWER	1	EA	
17	f2096507	TUBE-PROCESS GRN	1	EA	
18	g5096494	COND. FAN ASSY	1	EA	
19	PM010619	COMPRESSOR VCC	1	EA	
<p>Comments for Part Num. PM010619</p> <p>profixappliances@gmail.com on Apr 21, 2020 SUB TO 062775-000 COMPRESSOR KIT</p>					
20	068353-000	CONDENSER ASM W/COPPER ENDS	1	EA	
21	PB920201	ACCUMULATOR	1	EA	
22	F2096504	TUBE-DRIER EXT	1	EA	



Item	Part No.	Name	Qty	Uom	NOTES
23	M0322202	TIE-WIRE	6	EA	
24	014519-000	DIVERter AIR HI SIDE SXS	1	EA	
25	a3189370	GASKET-FOAM VA3189370	2	EA	
26	f2097740	TUBE PROCESS	1	EA	
27	K2099454	BRACKET DRIER	1	EA	
28	PM010616	DRIER - HIGH SIDE	1	EA	
29	10547001	CLIP-DRIER V10547001	1	EA	
30	044358-000	UPPER HINGE ASM, LH	1	EA	

FZ Door View



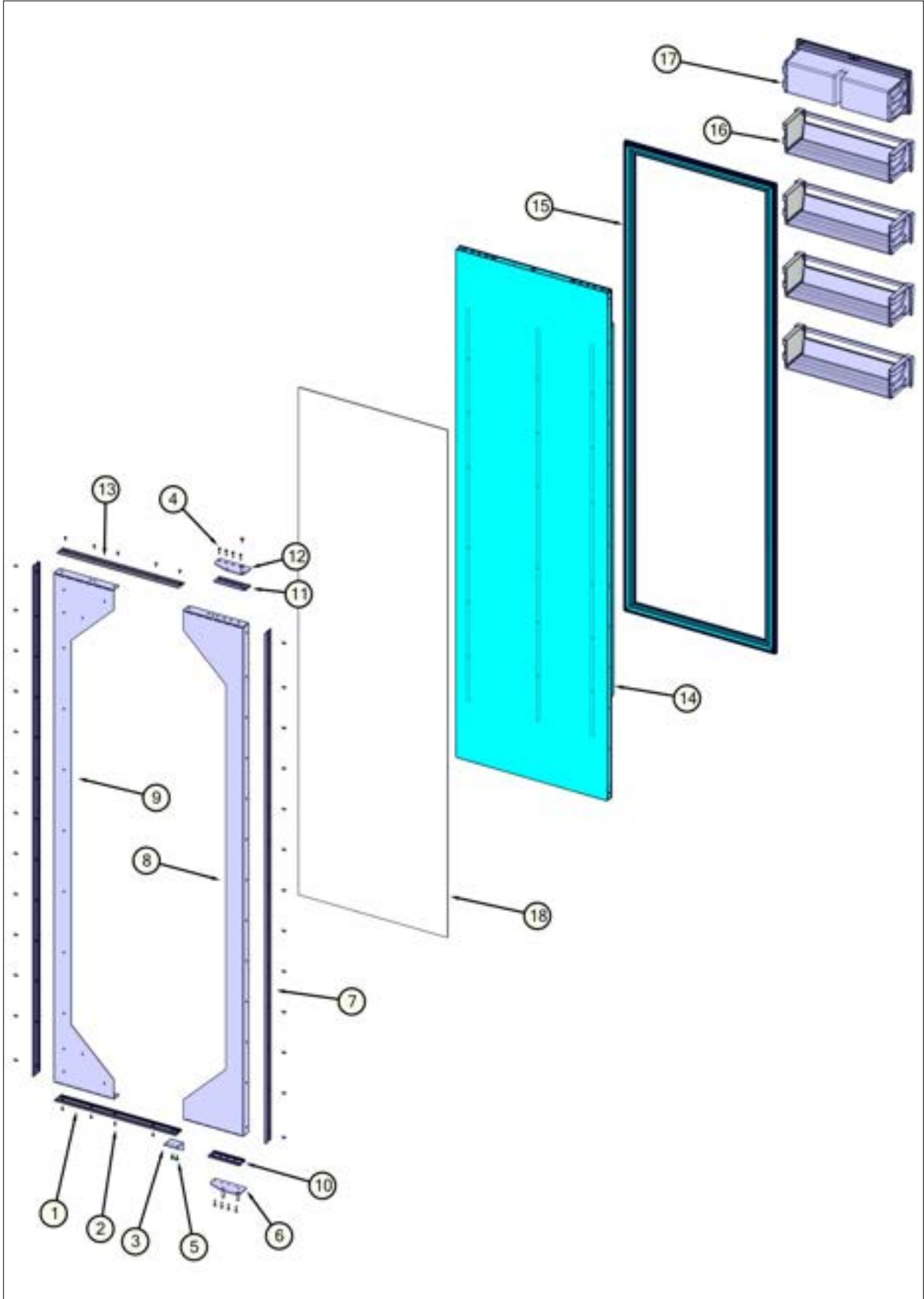


Item	Part No.	Name	Qty	Uom	NOTES
1	PD920174	10X7/8 PHILLIPS SMA TRI LOBE SA	8	EA	
2	044506-000	PIVOT PLATE, UPPER, LH FOL	1	EA	
3	034903-000	EXTRUSION, FOL, PIVOT PLATE SPACER, LEFT	1	EA	
4	000953-000	EXTRUSION,FOL,SIDE	2	EA	
5	044507-000	PIVOT PLATE, LOWER, LH FOL	1	EA	
6	M0210458	SCR 8-18 X 5/8 WAFER PH SMS	2	EA	
7	044314-000	STRIKER, DOOR SWITCH	1	EA	
8	000998-000	EXTRUSION,FOL, TOP,42 SXS	1	EA	
9	M0215318	SCREW-SM	35	EA	
10	034902-000	EXTRUSION, FOL, PIVOT PLATE SPACER, RIGHT	1	EA	
11	007377-000	BRACKET, SIDE, HINGE, FULL OVERLAY	1	EA	
12	000950-000	BRACKET, PNL, FULL OVERLAY	1	EA	
13	004499-000	EXTRUSION, FOL, BOT, 42 FZ	1	EA	
14	G30910711	PAN WELD ASM SXS 42 DISP FZ	1	EA	
15	PK930297	ELBOW CHASE SXS DISP	1	EA	
16	PK930298	RETAINER ELBOW SXS DISP	1	EA	
17	PK030436	FILL TUBE	1	EA	
18	PK930293	ADAPTER CABLE/WATERLINE BOTTOM SXS DISP	1	EA	
19	PK930296	EXTENSION DOOR LINER BOT FZ 42 SXS DISP	1	EA	
20	021048-000	RETAINER, GSKT, LWR, SXS, 42, FZ, DISP	1	EA	
21	004956-000	RETAINER, GSKT, SIDE, SXS, FZ DISP VID# 202724956-17	2	EA	
22	PK930194	LINER DOOR SXS FZ DISP	1	EA	
23	004924-000	RETAINER, GSKT, MDL, TOP, SXS 42 FZ VID# 202734924-17	1	EA	
24	002862-000	EXTENSION, DOOR, TOP, RH, EX TRSN VID# 234832862-17	1	EA	
25	PK030564	EXTR DR GASKET 42 FZ TOP VID# 234830564-17	1	EA	
26	002878-000	EXTENSION, DOOR, TOP, LH, EX TRSN VID# 234832878-17	1	EA	



Item	Part No.	Name	Qty	Uom	NOTES
27	005453-000	GASKET,ASM,42,SXS,FZ DISP VID# 602712817-17	1	EA	
28	036888-000	DOORBIN ASM SXS FZ	3	EA	
29	PK930127	LINER - EXTENSION 42"	1	EA	
30	003620-000	SHEET,FOAM,42/48 FZ	1	EA	
NI	002999-000	COVER, SCR, RBR, GRAY FOL SXS	1	EA	

FF Door View





Item	Part No.	Name	Qty	Uom	NOTES
1	004322-000	EXTRUSION,FOL,BOTTOM,42 FF	1	EA	
2	M0215318	SCREW-SM	35	EA	
3	044314-000	STRIKER, DOOR SWITCH	1	EA	
4	PD920174	10X7/8 PHILLIPS SMA TRI LOBE SA	8	EA	
5	M0210458	SCR 8-18 X 5/8 WAFER PH SMS	2	EA	
6	044508-000	PIVOT PLATE, LOWER, RH FOL	1	EA	
7	000953-000	EXTRUSION,FOL,SIDE	2	EA	
8	007377-000	BRACKET,SIDE,HINGE,FULL OVERLAY	1	EA	
9	000950-000	BRACKET,PNL,FULL OVERLAY	1	EA	
10	034903-000	EXTRUSION, FOL, PIVOT PLATE SPACER, LEFT	1	EA	
11	034902-000	EXTRUSION, FOL, PIVOT PLATE SPACER, RIGHT	1	EA	
12	044505-000	PIVOT PLATE, UPPER, RH FOL	1	EA	
13	000968-000	EXTRUSION,FOL, TOP,42,FF	1	EA	
14	007514-000	DOOR FOAM ASM SXS 42 FF	1	EA	
15	005451-000	GASKET,ASM,42,SXS,FF VID# 602711807-17	1	EA	
16	036890-000	DOORBIN ASM SXS 42 FF	4	EA	
17	PK930123	DAIRY MODULE ASM SXS 42	1	EA	
18	003643-000	SHEET,FOAM,42 FF	1	EA	
NI	002999-000	COVER, SCR, RBR, GRAY FOL SXS	1	EA	



Item	Part No.	Name	Qty	Uom	NOTES
1	043373-000	HARNESS, FF, CABINET	1	EA	
2	048680-000	HARNESS, POWER SUPPLY, LED, BM/SXS	1	EA	
3	048643-000	HARNESS, HIGH VOLTAGE	1	EA	
NA	043801-000	HARNESS, FZ, CABINET	1	EA	
NA	011059-000	HARNESS, JUMPER	1	EA	
NA	043371-000	HARNESS, MC	1	EA	
NA	042336-000	HARNESS SXS DISP DOOR	1	EA	



Appendix A:Pages Index

Bottom View 1
Control View 3
Decor View 5
Dispenser Asm View 4
FF Door View 10
FF Interior Shelving View 2
FZ Door View 9
FZ Interior Shelving View 6
Harness View 11
Lo Side Asm View 7
Top View 8



Appendix B:Parts Index

000570-000	1, 8	034903-000	9, 10
000950-000	9, 10	036579-000	4
000953-000	9, 10	036888-000	9
000968-000	10	036890-000	10
000998-000	9	041669-000	1
002862-000	9	042300-000	4
002878-000	9	042336-000	11
002999-000	9, 10	042676-000	2
003334-000	4	042764-000	2, 6
003620-000	9	042766-000	2, 6
003643-000	10	042922-000	5
004322-000	10	043258-000	1
004499-000	9	043261-000	1
004924-000	9	043371-000	11
004956-000	9	043373-000	11
005319-000	3	043634-000	3
005396-000	3	043712-000	5
005451-000	10	043715-000	5
005453-000	9	043718-000	5
007301-000	2	043721-000	5
007302-000	2	043722-000	5
007377-000	9, 10	043801-000	11
007514-000	10	043897-000	6
007980-000	8	044026-000	1
008501-000	1	044034-000	1
011059-000	11	044046-000	1
011666-000	8	044232-000	2
012809-000	2	044314-000	9, 10
013112-000	1, 2	044358-000	8
013685-000	4	044359-000	8
014190-000	8	044370-000	1
014519-000	8	044372-000	1
014808-000	1	044373-000	1
015163-000	4	044374-000	1
016527-000	3	044377-000	1
016930-000	3	044384-000	2
019144-000	6	044385-000	2
021048-000	9	044479-000	3
025433-000	3	044505-000	10
034902-000	9, 10	044506-000	9
		044507-000	9



044508-000	10	12064001	3
044511-000	1	12193801	4
044615-000	6	12258501	6
044694-000	2	40370P01	5
044927-000	5	A3030361	3
044939-000	1	A4554806	1
044990-000	5	A4554817	3
044991-000	5	B10910081	4
045057-000	1	B20911863	6
045061-000	2	B20915627	1
045684-000	1	B8385402	4
045686-000	2	C8983701	2, 7
045688-000	2	C90910027WH	6
045689-000	2	C90910067WH	6
045718-000	5	C90914113WH	7
045721-000	5	F20915693	1
046062-000	1	F2096504	8
046063-000	1	F2099443	8
046357-000	2, 6	F2099444	8
046358-000	2, 6	G30910711	9
046385-000	3	G32910068	2
046386-000	3	G32914174	1
046514-000	5	G32915704	1
047016-000	3	G50910020	7
048643-000	11	G50910716	1
048680-000	11	G50911851	6
049666-000	3	G50911853	1
053301-000	7	G50913708	2
057309-000	3	G50914155	4
058966-000	7	G5098660	7
059105-000	8	K20911831	1
060890-000	1	K20913096	2
060891-000	1	K20915000	3
068353-000	8	K20915952	1
10527401	7	K20916342	5
10547001	8	K2096456	7
10623003	7	K2096457	7
10629001	7	K2096458	7
10699601	8	K2096461	7
10712401	1	K2096943	8
10835901	8	K2098044	1



K2098096	1	PE950152	4
K2099454	8	PE950158	6
L20910054	7	PE970464	3
L20910057	7	PE970484	4
L20910075	6	PE970609	3
L20914114	7	PJ910031	7
L20914115	7	PK030436	9
L2097158WH	6	PK030470	4
L2099251	2	PK030540	7
M0104102	1	PK030564	9
M0210443	5	PK920066	5
M0210458	9, 10	PK930074	6
M0211021	2	PK930075	6
M0215318	4, 5, 9, 10	PK930096	6
M0220417	1, 5	PK930107	6
M0221523	1, 8	PK930114	2
M0221913	2	PK930120	2
M0223101	6	PK930123	10
M0224128	3	PK930127	9
M0238535	6	PK930170	2
M0238859	3, 7	PK930171	2
M0253916	7	PK930173	2
M0288120	2	PK930174	2
M0322202	8	PK930175	2
PB020294	1	PK930176	2
PB020301	1	PK930194	9
PB920201	8	PK930264	6
PB970176	6	PK930265	6
PB970187	8	PK930266	6
PB970188	8	PK930274	4
PC010022	4	PK930293	9
PD020068	1	PK930296	9
PD020193	3, 4	PK930297	9
PD020194	1, 5, 7	PK930298	9
PD030146	1	PK930348	1
PD920174	9, 10	PK930401	4
PD940094	1	PK930403	4
PD940107	1	PK930410	4
PE050248	1	PM010540	6
PE070755	4	PM010616	8
PE950149	8	PM010619	8



PM910190 6
PM910194 7
PM910231 6
PM910287 2
PM910288 2
PM910334 2
PM910375 6
PM910411 6
PM910435 6
V12348201 4
a3189370 8
b2096961 5
f2096507 8
f2097740 8
g5096494 8
m0104106 1, 3
m0585504 3
pc910015 1
pd030118 8
pk930404 4