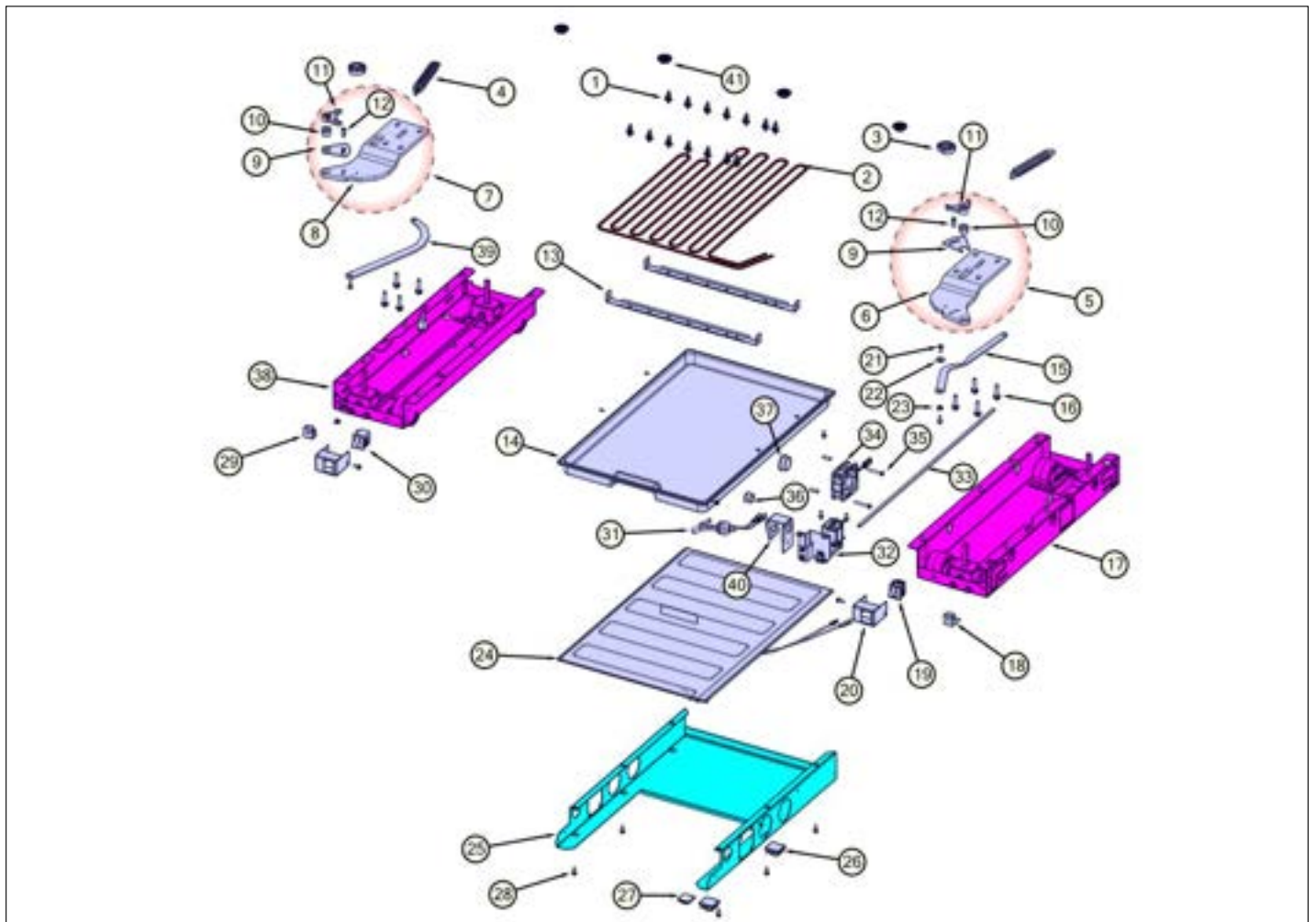


**FDSB5482**

Bottom View .....	1
Decor View .....	2
Freezer Interior View .....	3
Fresh Food Interior View .....	4
Lo Side Asm View .....	5
Top View .....	6
Control View .....	7
FF Door View .....	8
FZ Door View .....	9
Wiring Diagram .....	10
Appendix A:Pages Index .....	A
Appendix B:Parts Index .....	B

Bottom View



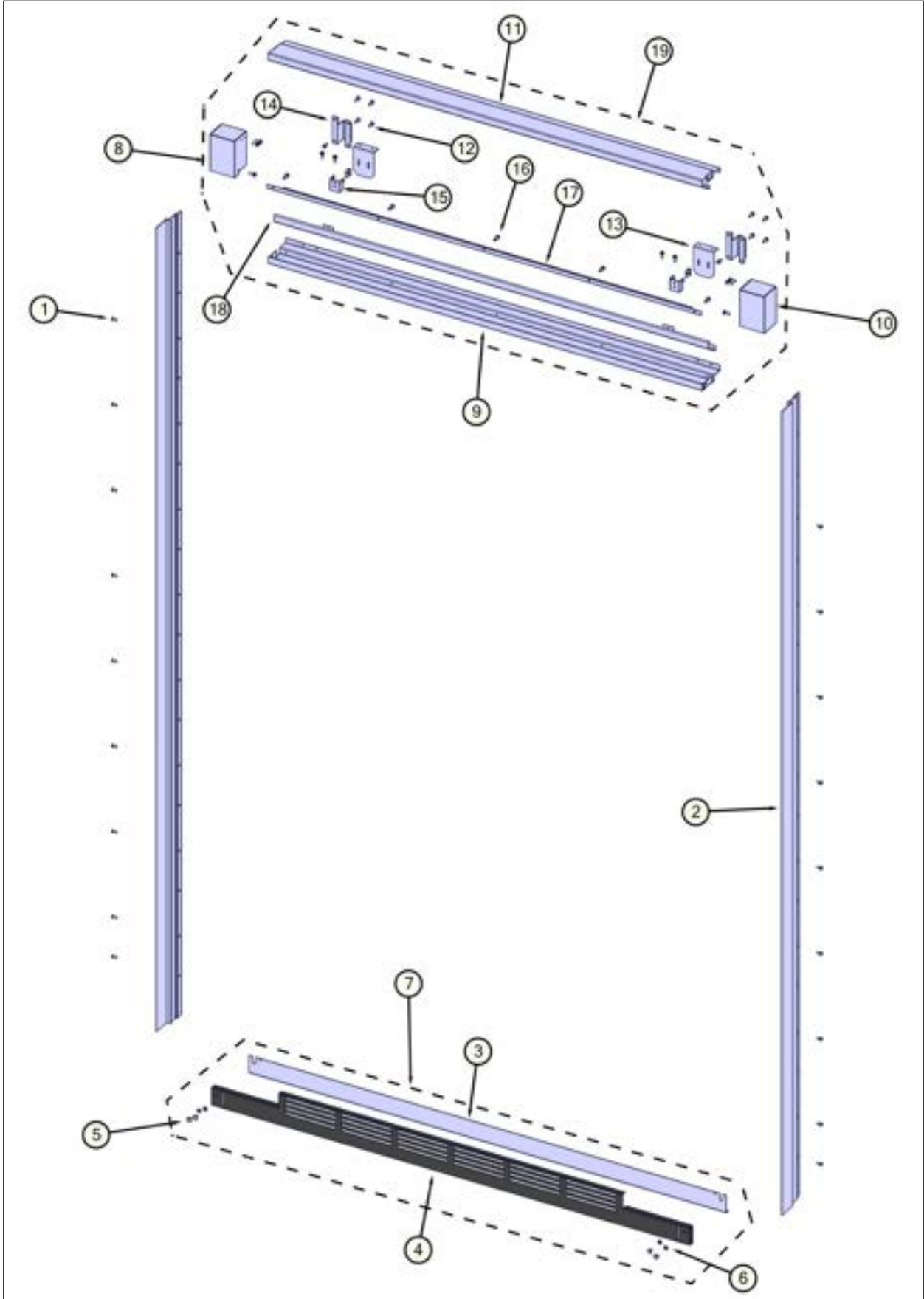


Item	Part No.	Name	Qty	Uom	NOTES
1	PD030146	STAND OFF LOCK CLIP	14	EA	
2	F20915693	SERPENTINE CONDENSER DRAIN ALL SXS'S	1	EA	
3	044370-000	CAM DOOR ADJUSTMENT	2	EA	
4	pc910015	SPRING EXTENSION	2	EA	
5	045055-000	HINGE ASM COMPLETE LR	1	EA	
6	044026-000	HINGE PLATE, RH, LWR 30/36ARAF, 42, 48	1	EA	
7	045057-000	HINGE ASM COMPLETE LL	1	EA	
8	044046-000	HINGE PLATE, LH, LWR 30/36AFAR, 42, 48	1	EA	
9	044511-000	PLATE, DOOR, SHIM	2	EA	
10	044373-000	BUSHING, DOOR LEVEL	2	EA	
11	044372-000	BUSHING, DOOR STOP	2	EA	
12	044374-000	PIN, DOOR STOP	2	EA	
13	K20911831	BRACKET CONDENSATE SUPPORT	2	EA	
14	PK930348	PAN DRAIN	1	EA	
15	043261-000	BAR, BOTTOM HINGE, RH, WC	1	EA	
16	000570-000	FASTENER, BOLT, 1/4-20 IHXWS 1" S ZN SER	8	EA	
17	060890-000	LEVELER, MODULE, R	1	EA	
18	K2098044	BRKT GRILLE SUPPORT	1	EA	
19	046063-000	SWITCH, SPST NC GRAY	1	EA	
20	044939-000	BRACKET, LT SWITCH	2	EA	
21	PD020234	SCREW THP 10-32 X .500 SS BO	2	EA	
22	044377-000	WSHR FENDER, .219 X .68 X .030	2	EA	
23	PD940094	BUSHING	2	EA	
24	G50911853	TRAY PAN HEATER	1	EA	
25	K20915952	SHIELD BOTTOM DRAIN	1	EA	
26	M0104102	CLIP-CORD RED	2	EA	
27	m0104106	CLIP-CORD VM0104106	1	EA	
28	PD020194	SCR, HEX SRTD WSHR HD, #8- 18 X 1/2	29	EA	
29	K2098096	BRKT GRILLE SUPPORT	1	EA	



Item	Part No.	Name	Qty	Uom	NOTES
30	046062-000	SWITCH, SPDT GRAY	1	EA	
31	PE050248	FLOAT SWITCH HORIZONTAL	1	EA	
32	G32913789	BRKT & VALVE H2O SNGL ASM	1	EA	
33	044034-000	TUBING, ROLL, PEX 1/4"	5.21ft	EA	
34	013112-000	AXIAL FAN	1	EA	
35	PD020274	SCR SLTD HEX WSHR HD 8X1.250 BT	2	EA	
36	A4554806	BUSHING-SNAP VA4554806	1	EA	
37	A4554817	BUSHING-SNAP VA4554817	1	EA	
38	060891-000	LEVELER, MODULE, L	1	EA	
39	043258-000	BAR, BOTTOM HINGE, LH, WC	1	EA	
40	B20915627	BRACKET HORIZ FLOAT SWITCH	1	EA	
41	10712401	PLUG-VENT	4	EA	

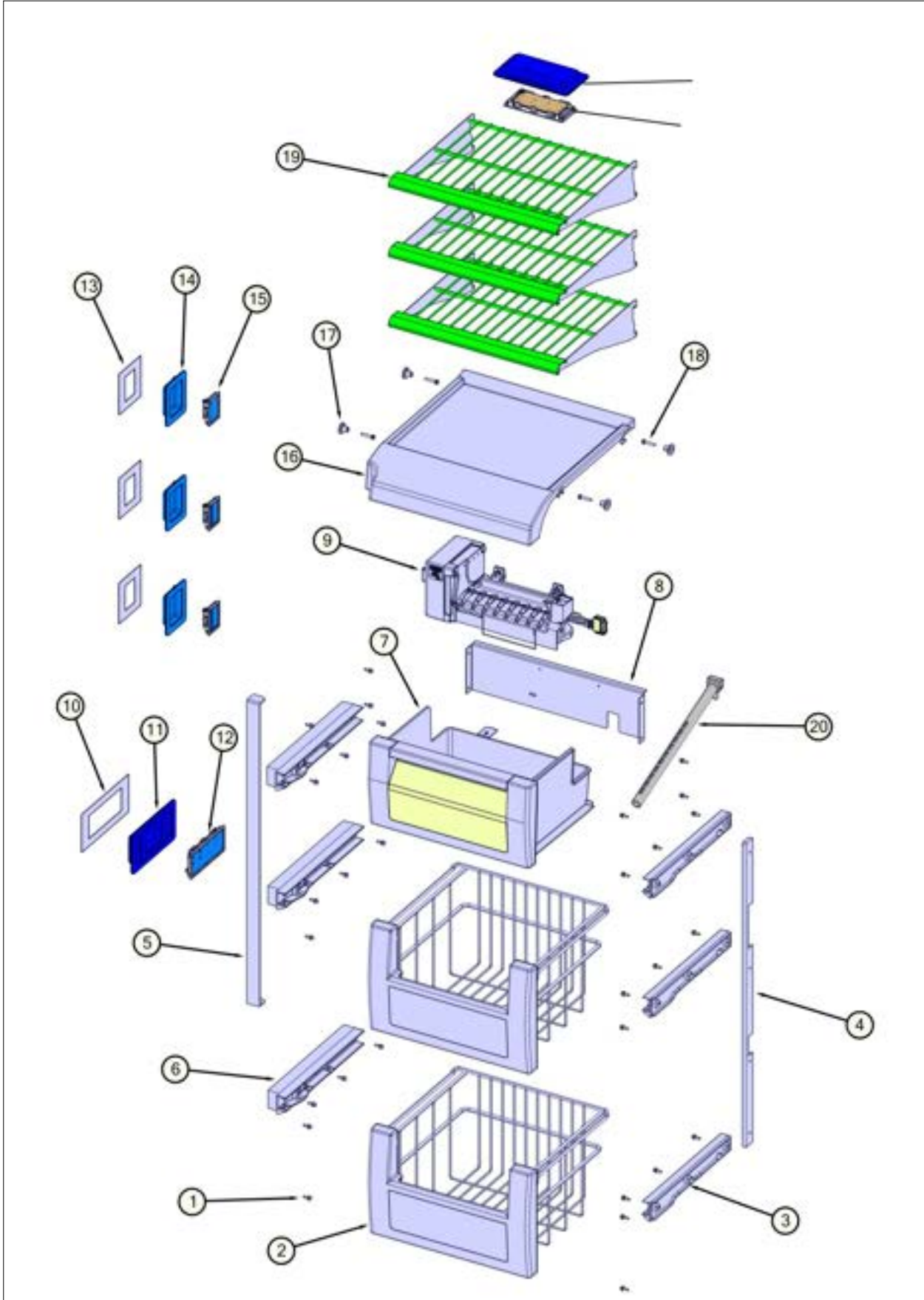
Decor View





Item	Part No.	Name	Qty	Uom	NOTES
1	M0215318	SCREW-SM	18	EA	
2	PK920066	TRIM, EXTRU, SIDE DES	2	EA	
3	045012-000	SOLID, TOE, GRILLE, 48 SXS	1	EA	
4	045011-000	VENT, TOE, GRILLE, 48 SXS	1	EA	
5	PD020032	SRW-8(A)X3/8"PH.WFR HD 7/16DIA*NICL	4	EA	
6	40370P01	WASHER, FLAT	4	EA	
7	045013-000	GRILLE, TOE, ASM, 48 SXS	1	EA	
8	043722-000	ENDCAP, GRILLE, L, HINGE	1	EA	
9	043717-000	GRILLE, BOTTOM LOUVER 48	1	EA	
10	043721-000	ENDCAP, GRILLE, R, HINGE	1	EA	
11	043711-000	GRILLE, TOP LOUVER 48	1	EA	
12	M0220417	SCREW-TC	21	EA	
13	K20916342	BRACKET GRILLE	2	EA	
14	042922-000	BRACKET GRILLE	2	EA	
15	b2096961	BRACKET-LOUVER	2	EA	
16	046514-000	SCR, 8-32 IHXP 7/16 S	5	EA	
17	045719-000	EXTENSION, GRILLE, SS, 48	1	EA	
18	043714-000	GRILLE, MIDDLE LOUVER 48	1	EA	
19	045722-000	GRILLE, ASM, 48 SXS, FOL	1	EA	

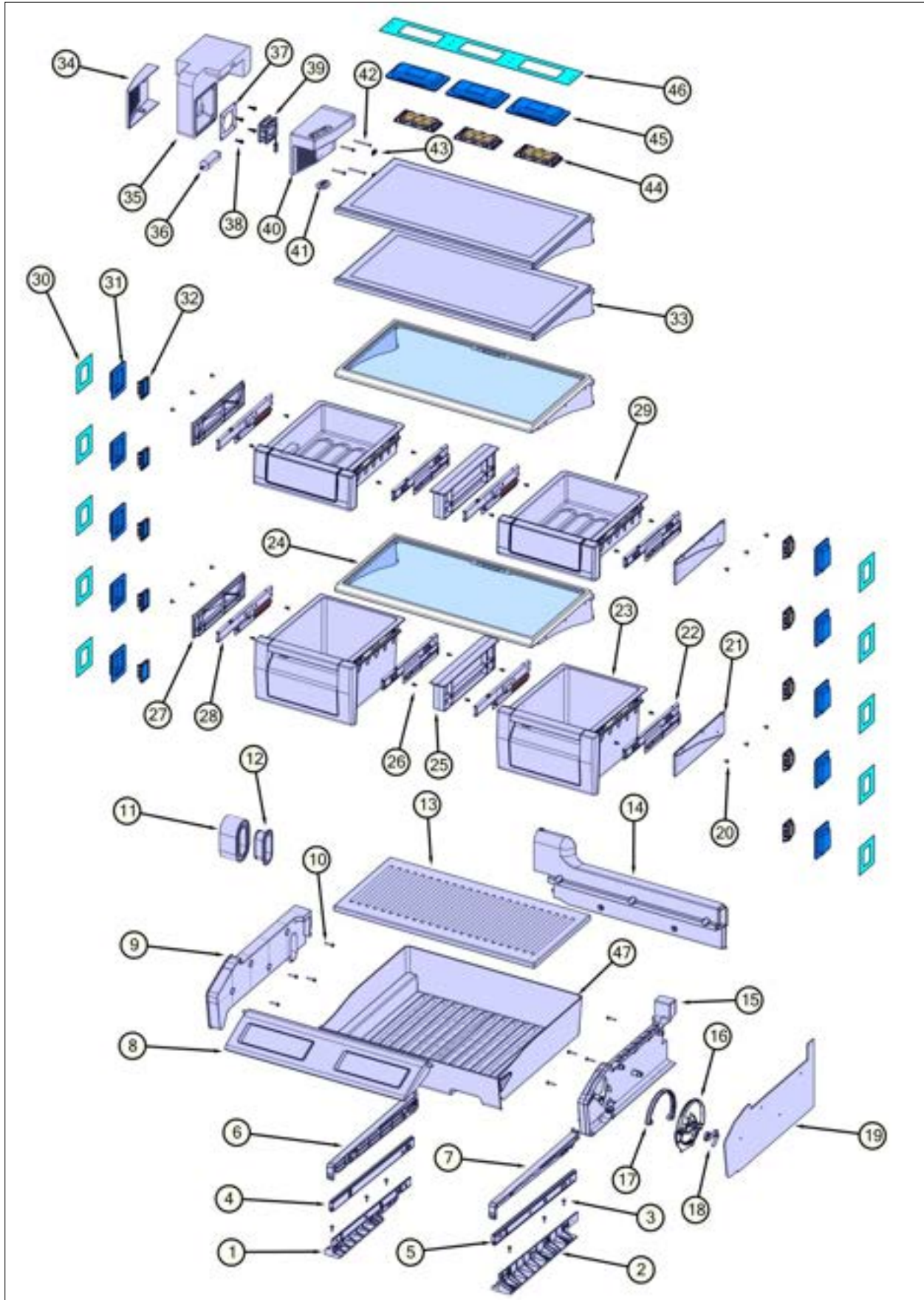
Freezer Interior View





Item	Part No.	Name	Qty	Uom	NOTES
1	PD020194	SCR, HEX SRTD WSHR HD, #8-18 X 1/2	20	EA	
2	PM910190	BASKET ASM FZ	2	EA	
3	PK930074	GLIDE SXS 48 FZ R	3	EA	
4	12304301	CLOSEOUT-FZ SIDE #	1	EA	
5	PK930073	CLOSEOUT SIDE SXS 48 FZ L	1	EA	
6	PK930075	GLIDE SXS 48 FZ L	3	EA	
7	PK930076	ICE PAN ASM SXS 48	1	EA	
8	C9097183WH	SUPPORT IM ND SXS 48 WH	1	EA	
9	G50911851	IM ASM, SXS & AF	1	EA	
10	046179-000	LARGE, SINGLE, SHIM, LED	1	EA	
11	046357-000	LED CUP ASSY (8)	2	EA	
12	042766-000	LED LIGHT, 8-POINT	2	EA	
13	044694-000	LED SHIM, SMALL SINGLE (NON-SERVICEABLE PART)	4	EA	
14	046358-000	LED CUP ASSY (3) (NON-SERVICEABLE PART)	4	EA	
15	042764-000	LED LIGHT, 3-POINT	4	EA	
16	PK930079	SHELF COVER SXS 48 FZ	1	EA	
17	12258501	SUPPORT-SHELF	4	EA	
18	M0211021	SCREW-SM	4	EA	
19	PM910411	SHELF WIRE 42/48	3	EA	
20	060568-000	FILL TUBE	1	EA	
NA	043380-000	HARNESS, FZ, CABINET	1	EA	
21	042766-000	LED LIGHT, 8-POINT	2	EA	
22	046357-000	LED CUP ASSY (8)	2	EA	

Fresh Food Interior View





Item	Part No.	Name	Qty	Uom	NOTES
1	PK930174	SUPPORT SLIDE MEAT SAVOR SXS 42/48 L	1	EA	
2	PK930173	SUPPORT SLIDE MEAT SAVOR SXS 42/48 R	1	EA	
3	PD020195	SCR 8-18 X 5/8	7	EA	
4	PM910288	SLIDE MEAT SAVOR L	1	EA	
Comments for Part Num. PM910288					
profixappliances@gmail.com on May 3, 2017					
ITEM # 5 SHOULD BE PK930288-DOOR MEATSAVOR ASM AR/BM 36					
5	PM910287	SLIDE MEAT SAVOR R	1	EA	
6	PK930176	SUPPORT DRAWER MEAT SAVOR 42/48 L	1	EA	
7	PK930175	SUPPORT DRAWER MEAT SAVOR SXS 42/48 R	1	EA	
8	045692-000	DOOR MEATSAVOR ASM AR 30 SXS 48	1	EA	
9	PK030435	DUCT MEATSAVOR SXS 48 LEFT	1	EA	
10	M0211021	SCREW-SM	4	EA	
11	012043-000	INSULATION,AIR,TUNNEL	1	EA	
12	10178001	TUNNEL-AIR SUPPLY	1	EA	
13	PK930308	SHELF MEAT SAVOR AR 30 SXS 48	1	EA	
14	PK930327	DUCT MEATSAVOR SXS 48 REAR	1	EA	
15	044232-000	DUCT MEAT SAVOR (R)	1	EA	
16	044384-000	DIAL CONTROL MEAT SAVOR	1	EA	
17	044385-000	COVER CONTROL MEATSAVER	1	EA	
18	PM910334	ROLLER TENSION	1	EA	
19	PK930283	DUCT MEATSAVOR SPACER	1	EA	
20	PD020032	SRW-8(A)X3/8"PH.WFR HD 7/16DIA*NICL	12	EA	
21	044214-000	SUPPORT SLIDE R (See PK930290)	2	EA	
22	045819-000	SHELF ASM 48 FOL	1	EA	
Not Shown	NOTE	(BEFORE 02/17/2015)		EA	

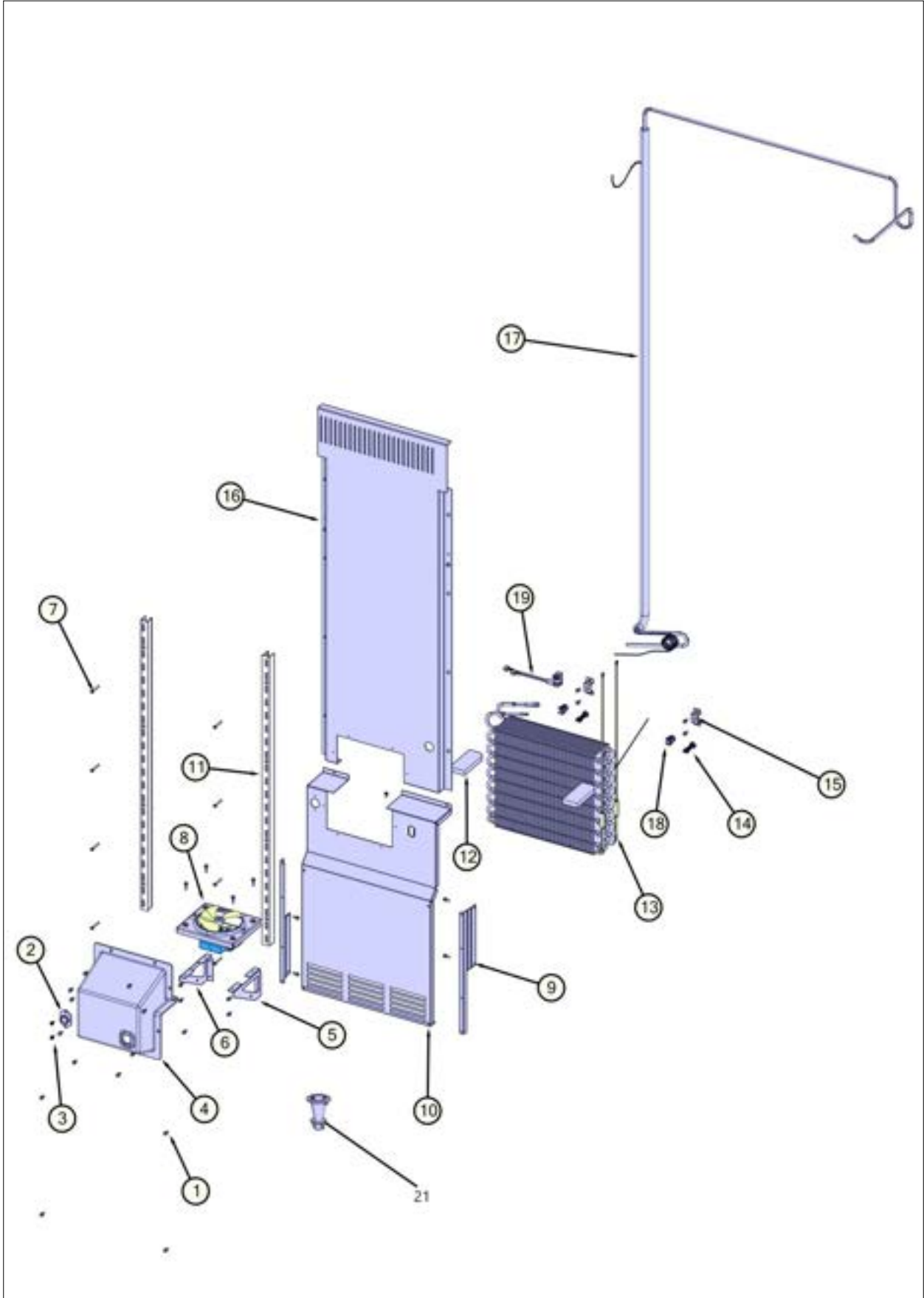


Item	Part No.	Name	Qty	Uom	NOTES
22	046235-000	SLIDE, DWR, SOFT CLOSE - RH	4	EA	
Not Shown	NOTE	(ON OR AFTER 02/17/2015)		EA	
23	012259-000	DRAWER PRODUCE ASM AR 30/48	2	EA	
24	043624-000	SHELF ASM GLASS 30 AR 48 FF	2	EA	
25	PK030439	GLIDE CENTER SUPPORT AR 36	1	EA	
26	PD920161	SCR 8-16 PLASTITE PNP 3/8 S	12	EA	
27	044219-000	SUPPORT SLIDE L (See PK930291)	2	EA	
28	045819-000	SHELF ASM 48 FOL	1	EA	
Not Shown	NOTE	(BEFORE 02/17/2015)		EA	
28	046255-000	SLIDE, DWR, SOFT CLOSE - LH	4	EA	
Not Shown	NOTE	(ON OR AFTER 02/17/2015)		EA	
29	G32911938	DRAWER DELI ASM SXS 48 AR 30	2	EA	
30	044694-000	LED SHIM, SMALL SINGLE (NON-SERVICEABLE PART)	10	EA	
31	046358-000	LED CUP ASSY (3) (NON-SERVICEABLE PART)	10	EA	
32	042764-000	LED LIGHT, 3-POINT	10	EA	
33	042675-000	SHELF, GL, 48" GLASS SHELF ASSY	2	EA	
34	PK930086	COVER FAN SXS 48 FZ	1	EA	
35	PM910242	SPACER SXS UPPER CENTER	1	EA	
36	PB920201	ACCUMULATOR	1	EA	
37	007302-000	BRACKET,FAN	1	EA	
38	007301-000	GROMMET,RUBBER	4	EA	
39	004551-000	AXIAL FAN	1	EA	
40	045686-000	HOUSING, PCI, ASM, SXS	1	EA	
41	C8983701	THERMISTOR	1	EA	
42	M0221913	SCREW-SM	4	EA	
43	M0288120	NUT-SPEED VM0288120	2	EA	
44	042766-000	LED LIGHT, 8-POINT	3	EA	



Item	Part No.	Name	Qty	Uom	NOTES
45	046357-000	LED CUP ASSY (8)	3	EA	
46	044692-000	LED SHIM, 24"	1	EA	
NA	043373-000	HARNESS, FF, CABINET	1	EA	
NA	048643-000	HARNESS, HIGH VOLTAGE	1	EA	
47	PK930309	DRAWER MEAT SAVOR AR 30 SXS 48	1	EA	

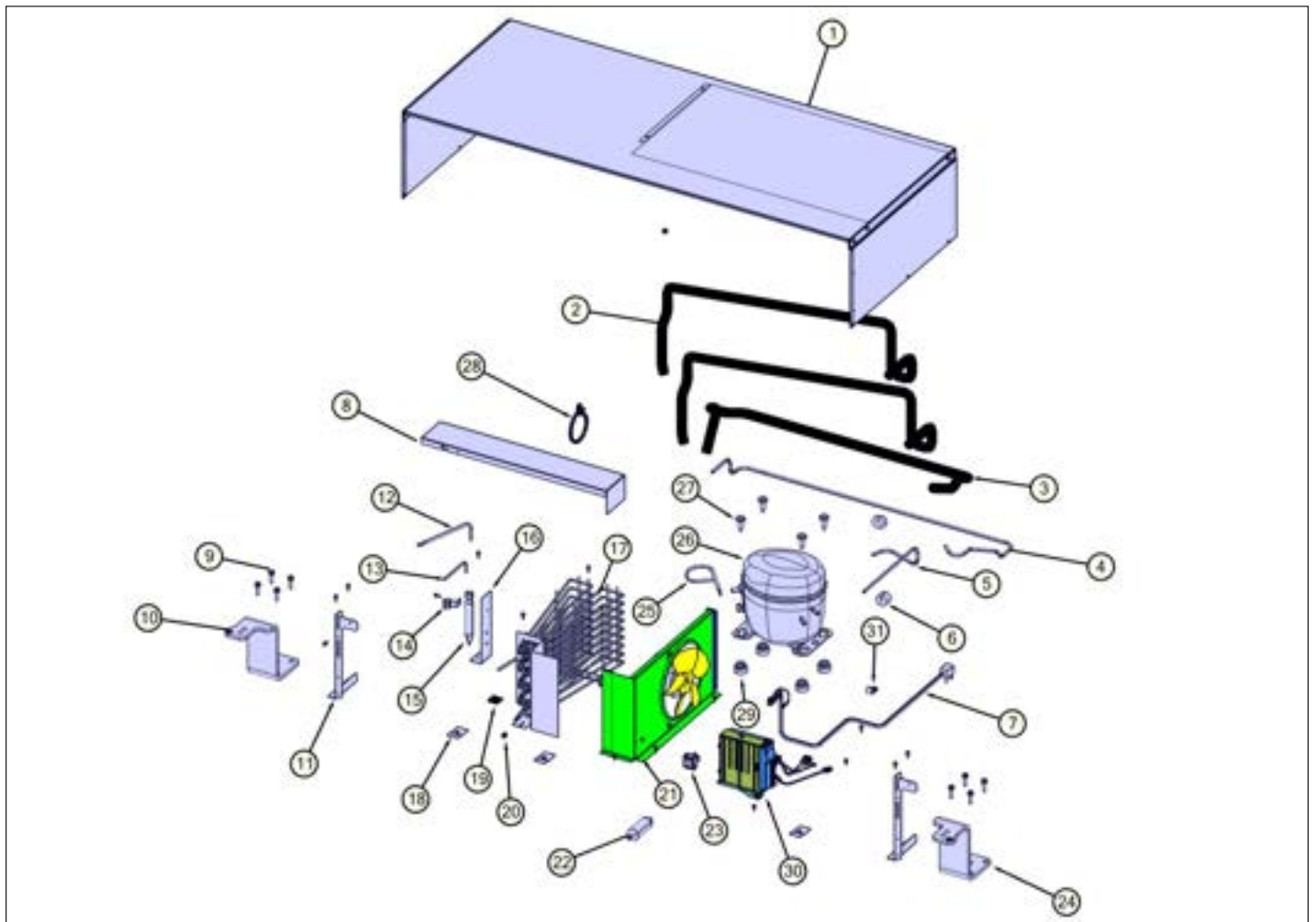
Lo Side Asm View





Item	Part No.	Name	Qty	Uom	NOTES
1	PD020194	SCR, HEX SRTD WSHR HD, #8-18 X 1/2	22	EA	
2	C8983701	THERMISTOR	1	EA	
3	M0253916	SCR 8-32 SHXW 3/8 TRI-LOBE	2	EA	
4	PK930150	COVER CTR EVAP SXS	1	EA	
5	K2096457	BRKT-R-EVAP FAN 12223101	1	EA	
6	K2096458	BRKT-L-EVAP-FAN 12223102	1	EA	
7	M0238535	SCREW-SM	8	EA	
8	G5098660	FAN EVAP ASM PANASONIC	1	EA	
9	K2096461	BRKT-EVAP COVER 12234801	2	EA	
10	L2097182	COVER EVAP LOWER SXS 48	1	EA	
11	071772-006	LADDER, FZ, L/R SIDE, 42/48	2	EA	
12	10629001	BLOCK-R AIR COIL RED	2	EA	
13	G50910020	EVAP ASM SXS	1	EA	
14	10527401	CLIP-EVAP	2	EA	
15	K2096456	BRKT-EVAP CLIP 12215101	2	EA	
16	L2097181	COVER EVAP UPPER SXS 48	1	EA	
17	F20910021	HEAT EXCHANGER ASM SXS 48	1	EA	
18	10623003	CLIP-EVAP	2	EA	
19	058966-000	THERMOSTAT, SNAP ACTION, 55 OPEN 20 CLOSE	1	EA	
20	PJ910031	HEATER EVAP SXS	1	EA	
21	PK030540	DRAIN TUBE SXS's & 36BM	1	EA	

Top View





Item	Part No.	Name	Qty	Uom	NOTES
1	007981-000	MC COVER ASM BI 48	1	EA	
2	PB970188	INSULATION TUBING 45.000	2	EA	
3	PB970187	INSULATION TUBING 57.500 WC, 5 SERIES	1	EA	
4	F2099443	TUBE DISCHARGE FORMED PRE ACCUM	1	EA	
5	F2099444	TUBE DISCHARGE FORMED POST ACCUM	1	EA	
6	10699601	DAMPER-TUBING .8	2	EA	
7	059105-000	CORD, PWR, BM, LEAD TERMINALS	1	EA	
8	014519-000	DIVERTER AIR HI SIDE SXS	1	EA	
9	000570-000	FASTENER, BOLT, 1/4-20 IHXWS 1" S ZN SER	8	EA	
10	044358-000	UPPER HINGE ASM, LH	1	EA	
11	014190-000	BRACKET, GRILLE SUPPORT	2	EA	
12	f2097740	TUBE PROCESS	1	EA	
13	F2096504	TUBE-DRIER EXT	1	EA	
14	10547001	CLIP-DRIER V10547001	1	EA	
15	PM010616	DRIER - HIGH SIDE	1	EA	
16	K2099454	BRACKET DRIER	1	EA	
17	068353-000	CONDENSER ASM W/COPPER ENDS	1	EA	
18	K2096943	PANEL BRACKET	3	EA	
19	m0104106	CLIP-CORD VM0104106	1	EA	
20	007407-000	RING,LOK, .187 DIA	1	EA	
21	g5096494	COND. FAN ASSY	1	EA	
22	PB920201	ACCUMULATOR	1	EA	
23	PE950149	SWITCH POWER	1	EA	
24	044359-000	UPPER HINGE ASM, RH	1	EA	
25	f2096507	TUBE-PROCESS GRN	1	EA	
26	PM010619	COMPRESSOR VCC	1	EA	

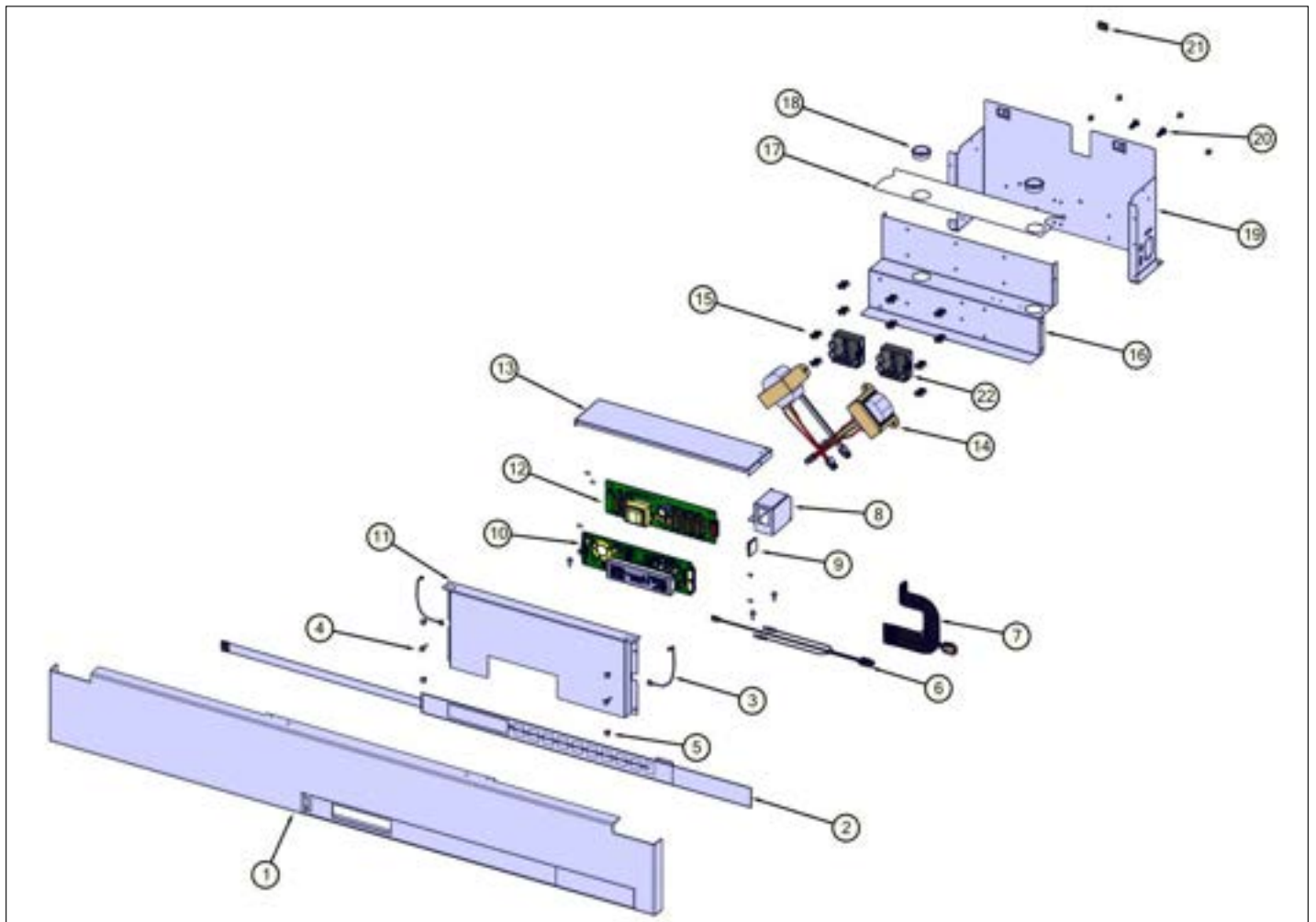
Comments for Part Num. PM010619

profixappliances@gmail.com on Apr 21, 2020  
SUB TO 062775-000 COMPRESSOR KIT



Item	Part No.	Name	Qty	Uom	NOTES
27	M0221523	SCREW - SHLDR	4	EA	
28	M0322202	TIE-WIRE	7	EA	
29	10835901	GROMMET RUBBER V10835901	4	EA	
30	011666-000	INVERTER,CMPR,ASM	1	EA	
Comments for Part Num. 011666-000					
gboltz@VikingRange.com on Aug 9, 2018					
See 2018-01P Parts Bulletin					
31	pd030118	INSULATED CLAMP	1	EA	

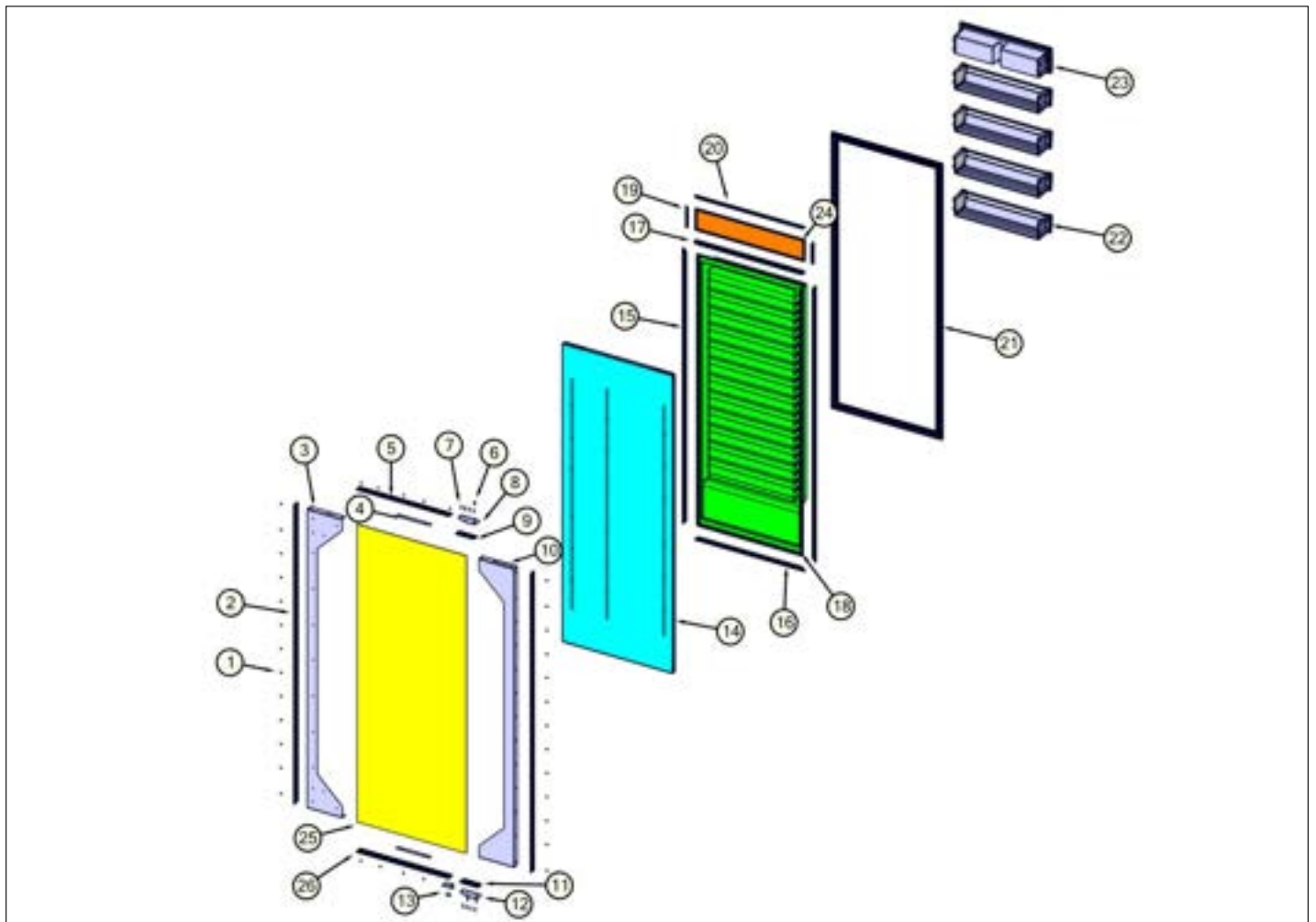
Control View





Item	Part No.	Name	Qty	Uom	NOTES
1	016593-000	PANEL CONTROL SXS 48	1	EA	
2	054569-000	OVERLAY SWITCH ASM 48 SXS NON-DISP	1	EA	
3	12064001	SUPP-CONT PANEL	2	EA	
4	M0238859	SCREW-SHLDR	2	EA	
5	PD020193	SCR 8-18 X 3/8	9	EA	
6	PE970609	HARNESS CONTROL BOARD	1	EA	
7	PE970464	HARNESS LOW VOLT	1	EA	
8	025433-000	BRACKET,SW,POWER	1	EA	
9	m0104106	CLIP-CORD VM0104106	1	EA	
10	057309-000	BOARD, LOW VOLTAGE	1	EA	
<p>Comments for Part Num. 057309-000</p> <p>gboltz@VikingRange.com on Apr 29, 2019 SEE TTR-0010 for installation</p>					
11	016930-000	MOTR CONTROL BOX FRONT	1	EA	
12	005319-000	POWER CONTROL BOARD ASM	1	EA	
<p>Comments for Part Num. 005319-000</p> <p>boltz on Apr 12, 2018 See TR-0056-SP Bulletin</p>					
13	K20915000	CONTROL BOX TOP	1	EA	
14	046386-000	TRANSFORMER, LED SOFT START	2	EA	
15	m0585504	SUPPORT	10	EA	
16	044479-000	MOTOR BRACKET PCB	1	EA	
17	005396-000	FILM,PROTECTIVE	1	EA	
18	A4554817	BUSHING-SNAP VA4554817	2	EA	
19	047016-000	MOTOR CONTROL BOX	1	EA	
20	049666-000	SCREW, THREAD ROLLING PAN HEAD	2	EA	
21	M0288120	NUT-SPEED VM0288120	1	EA	
22	046385-000	CIRCUIT, LED SOFT START	2	EA	

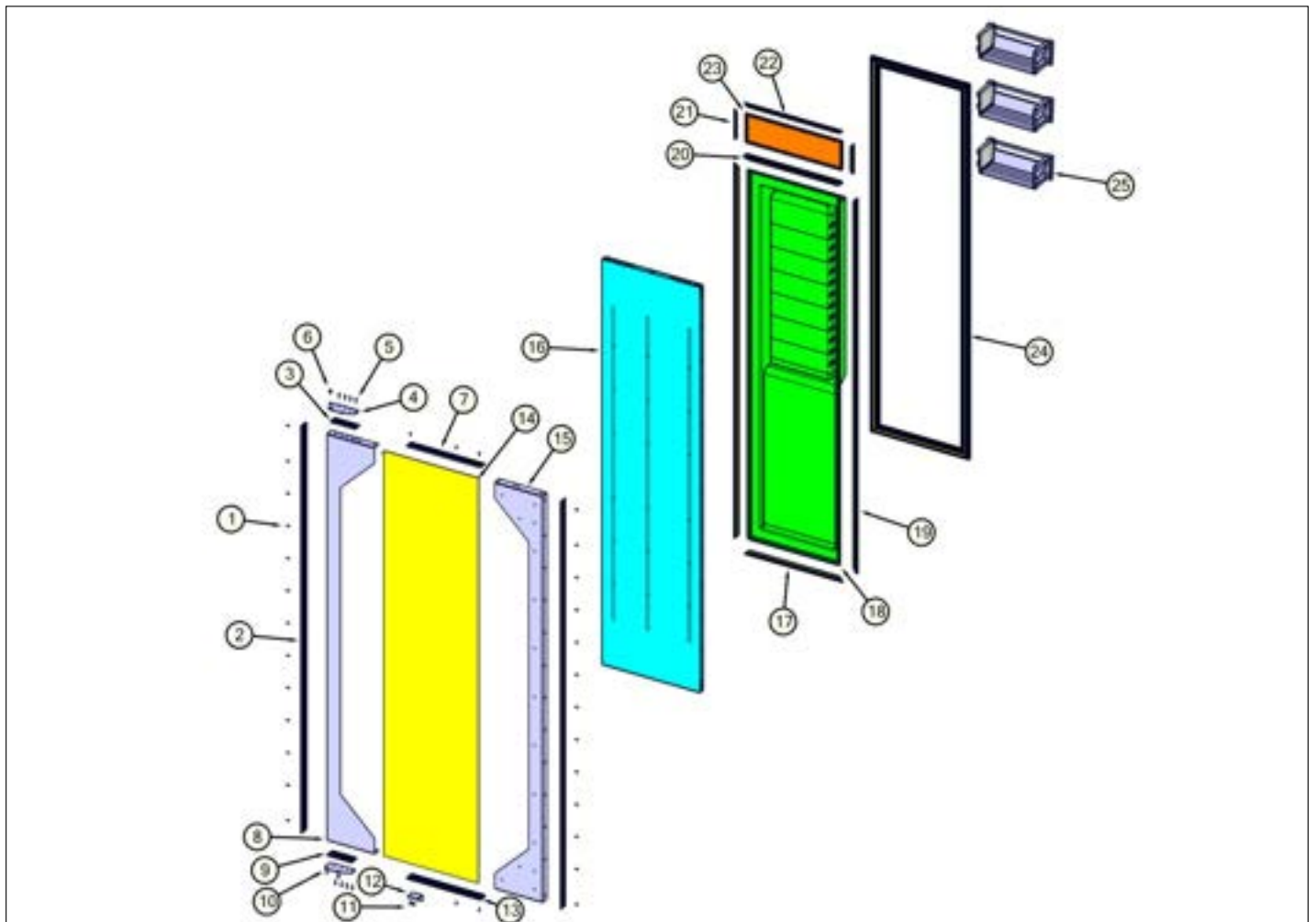
FF Door View





Item	Part No.	Name	Qty	Uom	NOTES
1	M0215318	SCREW-SM	35	EA	
2	000953-000	EXTRUSION,FOL,SIDE	2	EA	
3	000950-000	BRACKET,PNL,FULL OVERLAY	1	EA	
4	008399-000	SPACER,36,30,48FF,FOL	2	EA	
5	002297-000	EXTRUSION,FOL, TOP,48 SXS FF	1	EA	
6	PD020068	SCREW	1	EA	
7	PD920174	10X7/8 PHILLIPS SMA TRI LOBE SA	8	EA	
8	044505-000	PIVOT PLATE, UPPER, RH FOL	1	EA	
9	034902-000	EXTRUSION, FOL, PIVOT PLATE SPACER, RIGHT	1	EA	
10	007377-000	BRACKET,SIDE,HINGE,FULL OVERLAY	1	EA	
11	034903-000	EXTRUSION, FOL, PIVOT PLATE SPACER, LEFT	1	EA	
12	044508-000	PIVOT PLATE, LOWER, RH FOL	1	EA	
13	M0210458	SCR 8-18 X 5/8 WAFER PH SMS	2	EA	
14	G30910031	PAN WELD ASM SXS 48 FF	1	EA	
15	002791-000	RETAINER,GSKT,SIDE VID# 202722791-17	2	EA	
16	002814-000	RETAINER,GSKT,LWR,SXS, 48 FZ VID# 202722814-17	1	EA	
17	005022-000	RETAINER,GSKT,MDL, TOP,SXS , 48 FF VID# 202735022-17	1	EA	
18	PK930070	LINER DOOR SXS 48 FF	1	EA	
19	002862-000	EXTENSION,DOOR, TOP,RH,EX TRSN VID# 234832862-17	1	EA	
20	PK030565	EXTR DR GASKET 48 FF TOP VID# 234830565-17	1	EA	
21	005454-000	GASKET, ASM, 48, SXS, FF	1	EA	
22	036886-000	DOORBIN ASM SXS 48 FF	4	EA	
23	V12203602	DAIRY MODULE ASSY #	1	EA	
24	12089202	LINER-EXTENSION	1	EA	
25	003621-000	SHEET,FOAM,30 AF/AR, 48 FF	1	EA	
26	004500-000	EXTRUSION,FOL,BOT,48 FF	1	EA	
NI	002999-000	COVER, SCR, RBR, GRAY FOL SXS	1	EA	

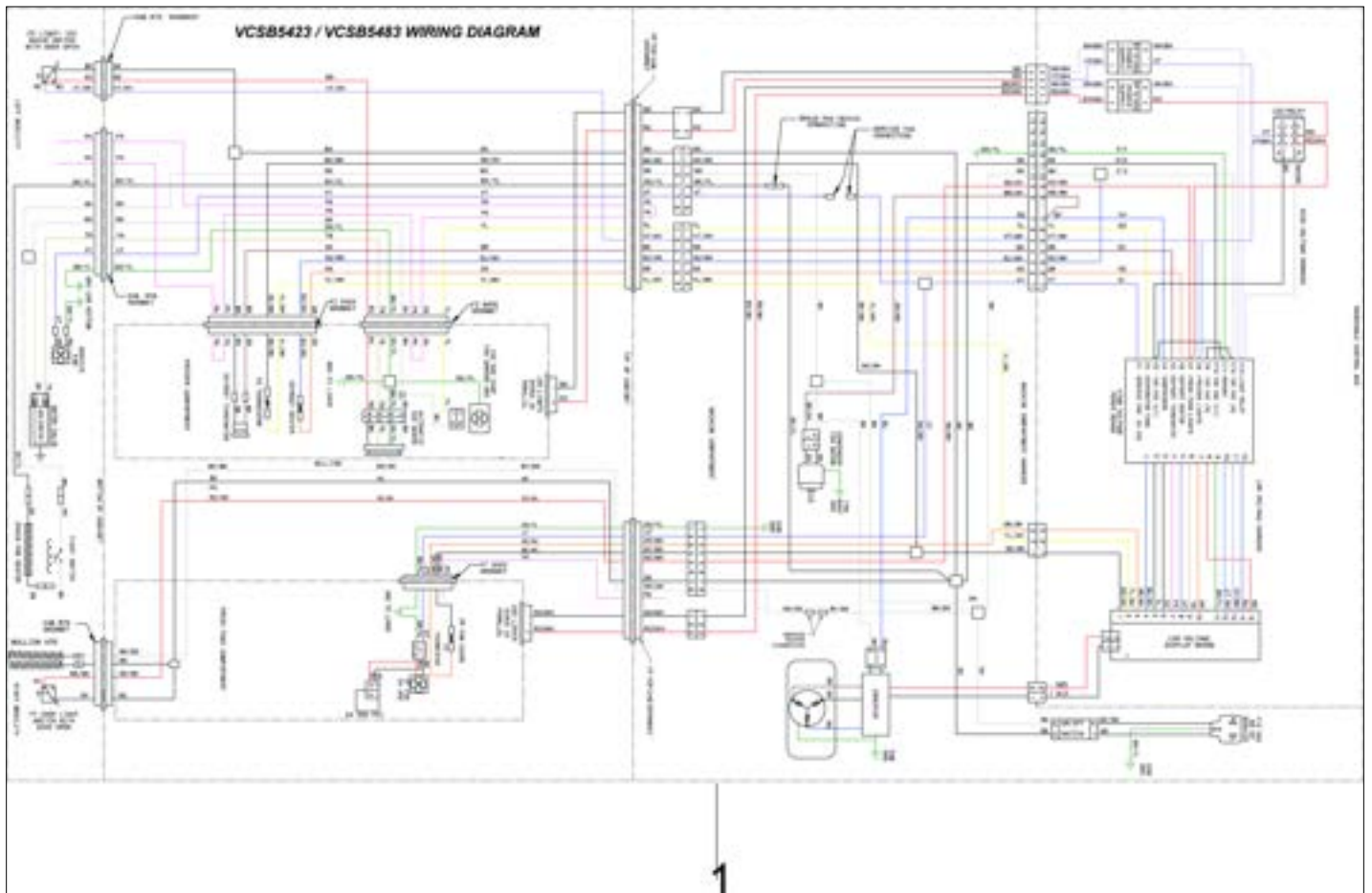
FZ Door View





Item	Part No.	Name	Qty	Uom	NOTES
1	M0215318	SCREW-SM	31	EA	
2	000953-000	EXTRUSION,FOL,SIDE	2	EA	
3	034903-000	EXTRUSION, FOL, PIVOT PLATE SPACER, LEFT	1	EA	
4	044506-000	PIVOT PLATE, UPPER, LH FOL	1	EA	
5	PD920174	10X7/8 PHILLIPS SMA TRI LOBE SA	8	EA	
6	PD020068	SCREW	1	EA	
7	002301-000	EXTRUSION,FOL, TOP,48 SXS FZ	1	EA	
8	007377-000	BRACKET,SIDE,HINGE,FULL OVERLAY	1	EA	
9	034902-000	EXTRUSION, FOL, PIVOT PLATE SPACER, RIGHT	1	EA	
10	044507-000	PIVOT PLATE, LOWER, LH FOL	1	EA	
11	M0210458	SCR 8-18 X 5/8 WAFER PH SMS	2	EA	
12	044314-000	STRIKER, DOOR SWITCH	1	EA	
13	004501-000	EXTRUSION,FOL,BOT,48 FZ	1	EA	
14	003620-000	SHEET,FOAM,42/48 FZ	1	EA	
15	000950-000	BRACKET,PNL,FULL OVERLAY	1	EA	
16	G30910032	PAN WELD ASM SXS 48 FZ	1	EA	
17	002814-000	RETAINER,GSKT,LWR,SXS, 48 FZ VID# 202722814-17	1	EA	
18	PK930071	LINER DOOR SXS 48 FZ	1	EA	
19	002791-000	RETAINER,GSKT,SIDE VID# 202722791-17	2	EA	
20	005023-000	RETAINER,GSKT,MDL,TOP,SXS , 48 FZ VID# 202735023-17	1	EA	
21	002862-000	EXTENSION,DOOR, TOP,RH,EX TRSN VID# 234832862-17	1	EA	
22	PK030566	EXTR DR GASKET 48 FZ TOP VID# 234830565-17	1	EA	
23	12089203	LINER-EXTENSION	1	EA	
24	005455-000	GASKET,ASM,48,SXS,FZ VID# 602711917-17	1	EA	
25	036888-000	DOORBIN ASM SXS FZ	3	EA	
NI	002999-000	COVER, SCR, RBR, GRAY FOL SXS	1	EA	

# Wiring Diagram





Item	Part No.	Name	Qty	Uom	NOTES
1	045930-000	DIAGRAM WIRING 42/48 SXS	1	EA	



Appendix A:Pages Index

Bottom View ..... 1  
Control View ..... 7  
Decor View ..... 2  
FF Door View ..... 8  
FZ Door View ..... 9  
Freezer Interior View ..... 3  
Fresh Food Interior View ..... 4  
Lo Side Asm View ..... 5  
Top View ..... 6  
Wiring Diagram .....10



Appendix B:Parts Index

000570-000	1, 6	042764-000	3, 4
000950-000	8, 9	042766-000	3, 3, 4
000953-000	8, 9	042922-000	2
002297-000	8	043258-000	1
002301-000	9	043261-000	1
002791-000	8, 9	043373-000	4
002814-000	8, 9	043380-000	3
002862-000	8, 9	043624-000	4
002999-000	8, 9	043711-000	2
003620-000	9	043714-000	2
003621-000	8	043717-000	2
004500-000	8	043721-000	2
004501-000	9	043722-000	2
004551-000	4	044026-000	1
005022-000	8	044034-000	1
005023-000	9	044046-000	1
005319-000	7	044214-000	4
005396-000	7	044219-000	4
005454-000	8	044232-000	4
005455-000	9	044314-000	9
007301-000	4	044358-000	6
007302-000	4	044359-000	6
007377-000	8, 9	044370-000	1
007407-000	6	044372-000	1
007981-000	6	044373-000	1
008399-000	8	044374-000	1
011666-000	6	044377-000	1
012043-000	4	044384-000	4
012259-000	4	044385-000	4
013112-000	1	044479-000	7
014190-000	6	044505-000	8
014519-000	6	044506-000	9
016593-000	7	044507-000	9
016930-000	7	044508-000	8
025433-000	7	044511-000	1
034902-000	8, 9	044692-000	4
034903-000	8, 9	044694-000	3, 4
036886-000	8	044939-000	1
036888-000	9	045011-000	2
042675-000	4	045012-000	2
		045013-000	2



045055-000	1	12258501	3
045057-000	1	12304301	3
045686-000	4	40370P01	2
045692-000	4	A4554806	1
045719-000	2	A4554817	1, 7
045722-000	2	B20915627	1
045819-000	4, 4	C8983701	4, 5
045930-000	10	C9097183WH	3
046062-000	1	F20910021	5
046063-000	1	F20915693	1
046179-000	3	F2096504	6
046235-000	4	F2099443	6
046255-000	4	F2099444	6
046357-000	3, 3, 4	G30910031	8
046358-000	3, 4	G30910032	9
046385-000	7	G32911938	4
046386-000	7	G32913789	1
046514-000	2	G50910020	5
047016-000	7	G50911851	3
048643-000	4	G50911853	1
049666-000	7	G5098660	5
054569-000	7	K20911831	1
057309-000	7	K20915000	7
058966-000	5	K20915952	1
059105-000	6	K20916342	2
060568-000	3	K2096456	5
060890-000	1	K2096457	5
060891-000	1	K2096458	5
068353-000	6	K2096461	5
071772-006	5	K2096943	6
10178001	4	K2098044	1
10527401	5	K2098096	1
10547001	6	K2099454	6
10623003	5	L2097181	5
10629001	5	L2097182	5
10699601	6	M0104102	1
10712401	1	M0210458	8, 9
10835901	6	M0211021	3, 4
12064001	7	M0215318	2, 8, 9
12089202	8	M0220417	2
12089203	9	M0221523	6



M0221913	4	PK930174	4
M0238535	5	PK930175	4
M0238859	7	PK930176	4
M0253916	5	PK930283	4
M0288120	4, 7	PK930308	4
M0322202	6	PK930309	4
PB920201	4, 6	PK930327	4
PB970187	6	PK930348	1
PB970188	6	PM010616	6
PD020032	2, 4	PM010619	6
PD020068	8, 9	PM910190	3
PD020193	7	PM910242	4
PD020194	1, 3, 5	PM910287	4
PD020195	4	PM910288	4
PD020234	1	PM910334	4
PD020274	1	PM910411	3
PD030146	1	V12203602	8
PD920161	4	b2096961	2
PD920174	8, 9	f2096507	6
PD940094	1	f2097740	6
PE050248	1	g5096494	6
PE950149	6	m0104106	1, 6, 7
PE970464	7	m0585504	7
PE970609	7	pc910015	1
PJ910031	5	pd030118	6
PK030435	4		
PK030439	4		
PK030540	5		
PK030565	8		
PK030566	9		
PK920066	2		
PK930070	8		
PK930071	9		
PK930073	3		
PK930074	3		
PK930075	3		
PK930076	3		
PK930079	3		
PK930086	4		
PK930150	5		
PK930173	4		