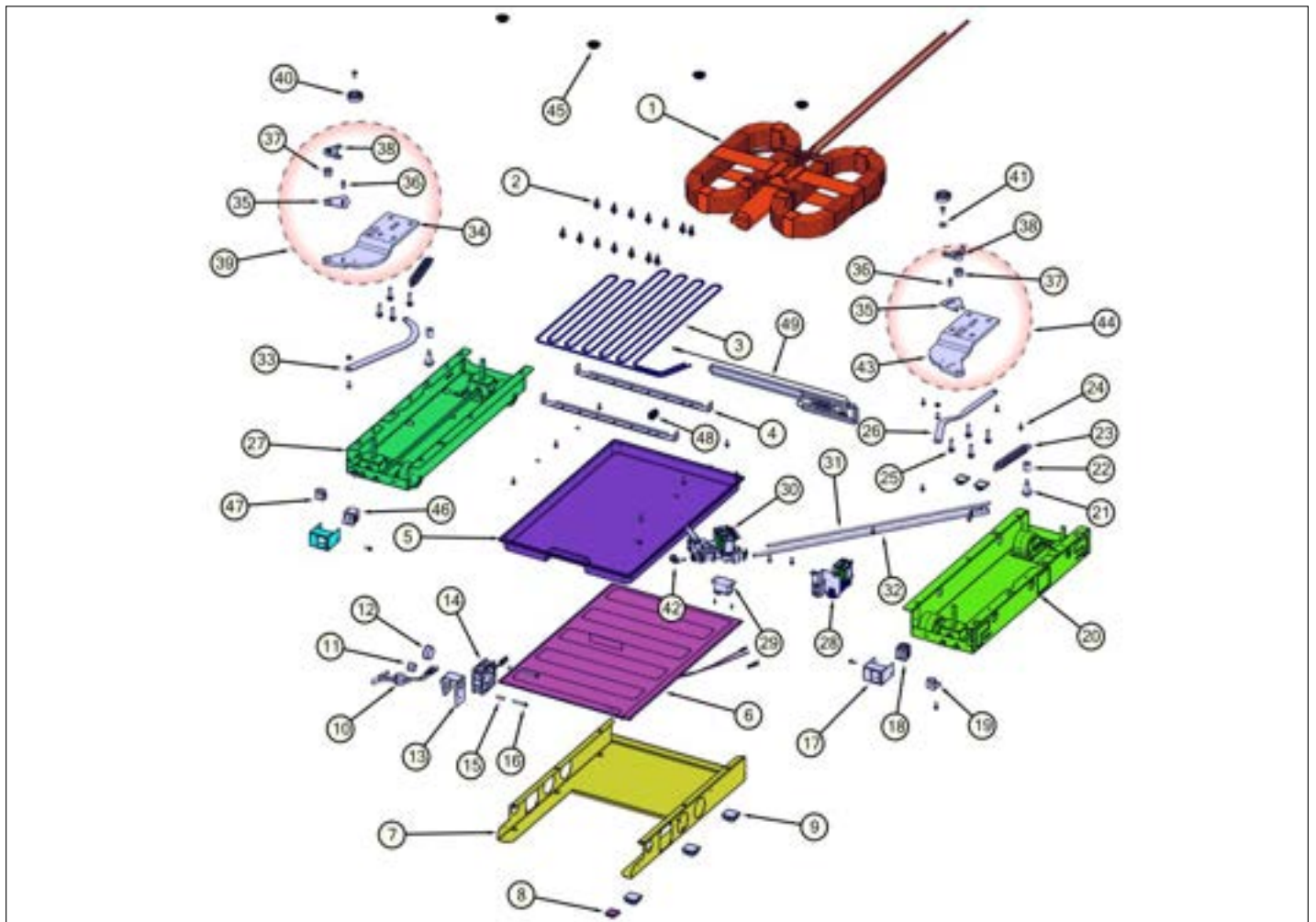


**FDSB5482D**

|                              |    |
|------------------------------|----|
| Bottom View .....            | 1  |
| Top View .....               | 2  |
| Lo Side Asm View .....       | 3  |
| Water Dispensery View .....  | 4  |
| Exterior View .....          | 5  |
| Decor View .....             | 6  |
| FF Interior View .....       | 7  |
| FZ Interior View .....       | 8  |
| Control View .....           | 9  |
| FF Door View .....           | 10 |
| FZ Door View .....           | 11 |
| Harness View .....           | 12 |
| Wiring Diagram .....         | 13 |
| Appendix A:Pages Index ..... | A  |
| Appendix B:Parts Index ..... | B  |

Bottom View



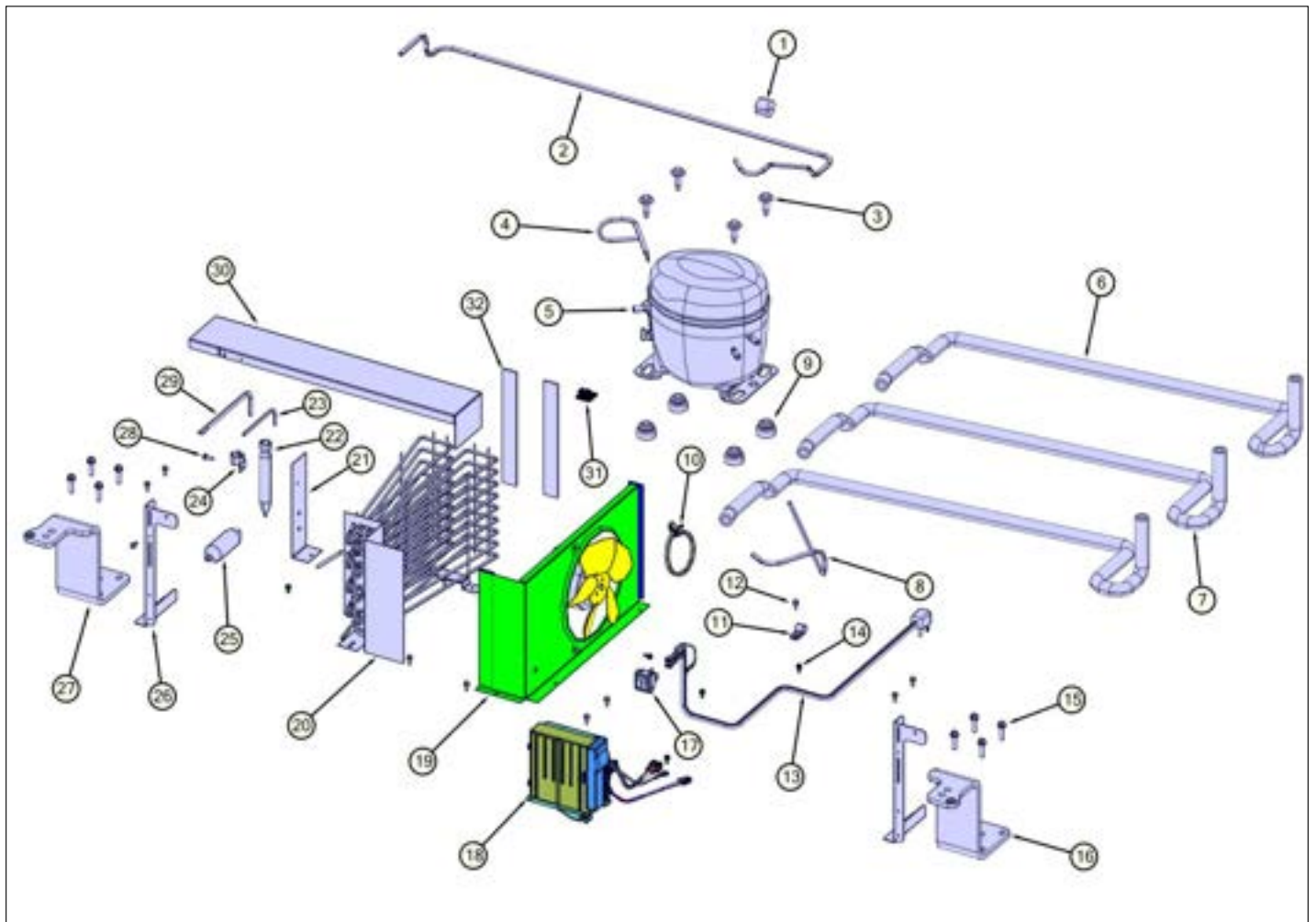


| Item | Part No.   | Name                                        | Qty | Uom | NOTES |
|------|------------|---------------------------------------------|-----|-----|-------|
| 1    | 041669-000 | FILTER/COIL TUBE ASM                        | 1   | EA  |       |
| 2    | PD030146   | STAND OFF LOCK CLIP                         | 14  | EA  |       |
| 3    | F20915693  | SERPENTINE CONDENSER<br>DRAIN ALL SXS'S     | 1   | EA  |       |
| 4    | K20911831  | BRACKET CONDENSATE<br>SUPPORT               | 2   | EA  |       |
| 5    | PK930348   | PAN DRAIN                                   | 1   | EA  |       |
| 6    | G50914125  | PAN HEATER ASM                              | 1   | EA  |       |
| 7    | K20915952  | SHIELD BOTTOM DRAIN                         | 1   | EA  |       |
| 8    | m0104106   | CLIP-CORD VM0104106                         | 1   | EA  |       |
| 9    | M0104102   | CLIP-CORD RED                               | 1   | EA  |       |
| 10   | PE050248   | FLOAT SWITCH HORIZONTAL                     | 1   | EA  |       |
| 11   | A4554806   | BUSHING-SNAP VA4554806                      | 2   | EA  |       |
| 12   | A4554817   | BUSHING-SNAP VA4554817                      | 1   | EA  |       |
| 13   | B20915627  | BRACKET HORIZ FLOAT<br>SWITCH               | 1   | EA  |       |
| 14   | 013112-000 | AXIAL FAN                                   | 1   | EA  |       |
| 15   | 011332-000 | SPACER,NYL                                  | 2   | EA  |       |
| 16   | PD020274   | SCR SLTD HEX WSHR HD<br>8X1.250 BT          | 2   | EA  |       |
| 17   | 044939-000 | BRACKET, LT SWITCH                          | 2   | EA  |       |
| 18   | 046063-000 | SWITCH, SPST NC GRAY                        | 1   | EA  |       |
| 19   | K2098044   | BRKT GRILLE SUPPORT                         | 1   | EA  |       |
| 20   | 060890-000 | LEVELER, MODULE, R                          | 1   | EA  |       |
| 21   | M0221523   | SCREW - SHLDR                               | 4   | EA  |       |
| 22   | PD940107   | ROUND SPRING SPACER                         | 2   | EA  |       |
| 23   | PC910015   | SPRING EXTENSION                            | 2   | EA  |       |
| 24   | PD020194   | SCR, HEX SRTD WSHR HD, #8-<br>18 X 1/2      | 20  | EA  |       |
| 25   | 000570-000 | FASTENER, BOLT, 1/4-20<br>IHXWS 1" S ZN SER | 8   | EA  |       |
| 26   | 043261-000 | BAR, BOTTOM HINGE, RH, WC                   | 1   | EA  |       |
| 27   | 060891-000 | LEVELER, MODULE, L                          | 1   | EA  |       |
| 28   | G32915704  | BRKT AND VALVE SINGLE ASM<br>DISP           | 1   | EA  |       |
| 29   | 014808-000 | RELAY,WATER VALVE                           | 1   | EA  |       |



| Item | Part No.   | Name                                      | Qty     | Uom | NOTES |
|------|------------|-------------------------------------------|---------|-----|-------|
| 30   | G32914174  | BRKT & VALVE J.G. INLET ASM               | 1       | EA  |       |
| 31   | 044034-000 | TUBING, ROLL, PEX 1/4"                    | 10.42ft | EA  |       |
| 32   | PB020294   | TUBE ASM-DOOR TO VALVE                    | 1       | EA  |       |
| 33   | 043258-000 | BAR, BOTTOM HINGE, LH, WC                 | 1       | EA  |       |
| 34   | 044046-000 | HINGE PLATE, LH, LWR<br>30/36AFAR, 42, 48 | 1       | EA  |       |
| 35   | 044511-000 | PLATE, DOOR, SHIM                         | 1       | EA  |       |
| 36   | 044374-000 | PIN, DOOR STOP                            | 2       | EA  |       |
| 37   | 044373-000 | BUSHING, DOOR LEVEL                       | 2       | EA  |       |
| 38   | 044372-000 | BUSHING, DOOR STOP                        | 2       | EA  |       |
| 39   | 045057-000 | HINGE ASM COMPLETE LL                     | 1       | EA  |       |
| 40   | 044370-000 | CAM DOOR ADJUSTMENT                       | 2       | EA  |       |
| 41   | 044377-000 | WSHR FENDER, .219 X .68 X<br>.030         | 2       | EA  |       |
| 42   | PB020301   | STEM ELBOW 1/4 V#<br>PP220808W            | 1       | EA  |       |
| 43   | 044026-000 | HINGE PLATE, RH, LWR<br>30/36ARAF, 42, 48 | 1       | EA  |       |
| 44   | 045055-000 | HINGE ASM COMPLETE LR                     | 1       | EA  |       |
| 45   | 10712401   | PLUG-VENT                                 | 4       | EA  |       |
| 46   | 046062-000 | SWITCH, SPDT GRAY                         | 1       | EA  |       |
| 47   | K2098096   | BRKT GRILLE SUPPORT                       | 1       | EA  |       |
| 48   | 045406-000 | PLUG HOUSING 6-CIRCUIT                    | 1       | EA  |       |
| 49   | 008501-000 | HEATER PKT CBL WI CHASE                   | 1       | EA  |       |

Top View





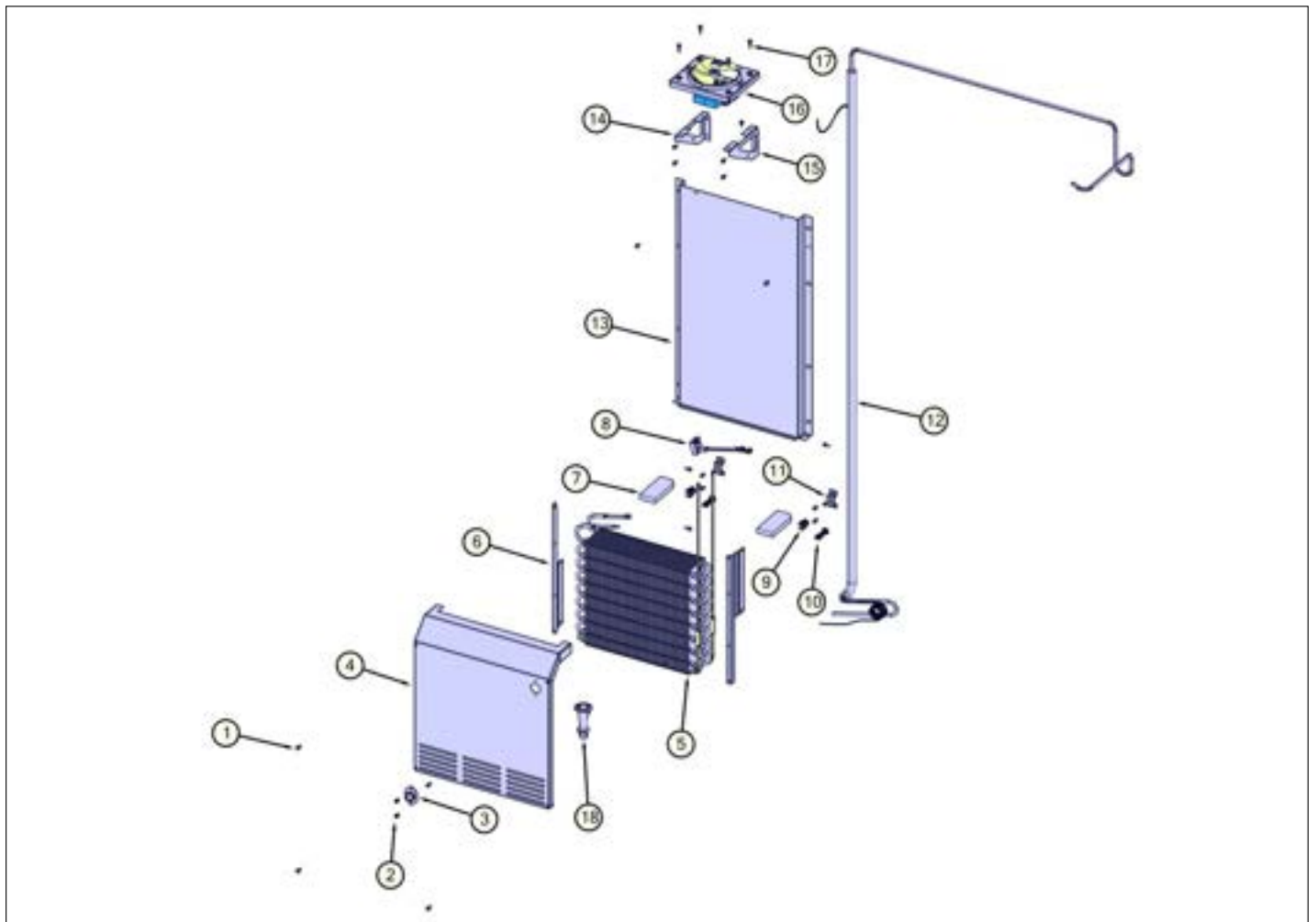
| Item                                                                                                                          | Part No.   | Name                                        | Qty | Uom | NOTES |
|-------------------------------------------------------------------------------------------------------------------------------|------------|---------------------------------------------|-----|-----|-------|
| 1                                                                                                                             | 10699601   | DAMPER-TUBING .8                            | 2   | EA  |       |
| 2                                                                                                                             | F2099443   | TUBE DISCHARGE FORMED<br>PRE ACCUM          | 1   | EA  |       |
| 3                                                                                                                             | M0221523   | SCREW - SHLDR                               | 4   | EA  |       |
| 4                                                                                                                             | f2096507   | TUBE-PROCESS GRN                            | 1   | EA  |       |
| 5                                                                                                                             | PM010619   | COMPRESSOR VCC                              | 1   | EA  |       |
| <p>Comments for Part Num. PM010619</p> <p>profixappliances@gmail.com on Apr 21, 2020<br/>SUB TO 062775-000 COMPRESSOR KIT</p> |            |                                             |     |     |       |
| 6                                                                                                                             | PB970187   | INSULATION TUBING 57.500<br>WC, 5 SERIES    | 1   | EA  |       |
| 7                                                                                                                             | PB970188   | INSULATION TUBING 45.000                    | 2   | EA  |       |
| 8                                                                                                                             | F2099444   | TUBE DISCHARGE FORMED<br>POST ACCUM         | 1   | EA  |       |
| 9                                                                                                                             | 10835901   | GROMMET RUBBER<br>V10835901                 | 4   | EA  |       |
| 10                                                                                                                            | M0322202   | TIE-WIRE                                    | 7   | EA  |       |
| 11                                                                                                                            | pd030118   | INSULATED CLAMP                             | 1   | EA  |       |
| 12                                                                                                                            | PD020194   | SCR, HEX SRTD WSHR HD, #8-<br>18 X 1/2      | 31  | EA  |       |
| 13                                                                                                                            | 059105-000 | CORD, PWR, BM, LEAD<br>TERMINALS            | 1   | EA  |       |
| 14                                                                                                                            | PD020010   | 10 X 3/8 GREEN GROUNDING<br>SCREW           | 6   | EA  |       |
| 15                                                                                                                            | 000570-000 | FASTENER, BOLT, 1/4-20<br>IHXWS 1" S ZN SER | 8   | EA  |       |
| 16                                                                                                                            | 044359-000 | UPPER HINGE ASM, RH                         | 1   | EA  |       |
| 17                                                                                                                            | PE950149   | SWITCH POWER                                | 1   | EA  |       |
| 18                                                                                                                            | 011666-000 | INVERTER,CMPR,ASM                           | 1   | EA  |       |
| <p>Comments for Part Num. 011666-000</p> <p>gboltz@VikingRange.com on Aug 9, 2018<br/>See 2018-01P Parts Bulletin</p>         |            |                                             |     |     |       |
| 19                                                                                                                            | g5096494   | COND. FAN ASSY                              | 1   | EA  |       |
| 20                                                                                                                            | 068353-000 | CONDENSER ASM W/COPPER<br>ENDS              | 1   | EA  |       |
| 21                                                                                                                            | K2099454   | BRACKET DRIER                               | 1   | EA  |       |



| Item | Part No.   | Name                     | Qty | Uom | NOTES |
|------|------------|--------------------------|-----|-----|-------|
| 22   | PM010616   | DRIER - HIGH SIDE        | 1   | EA  |       |
| 23   | F2096504   | TUBE-DRIER EXT           | 1   | EA  |       |
| 24   | 10547001   | CLIP-DRIER V10547001     | 1   | EA  |       |
| 25   | PB920201   | ACCUMULATOR              | 1   | EA  |       |
| 26   | 014190-000 | BRACKET, GRILLE SUPPORT  | 2   | EA  |       |
| 27   | 044358-000 | UPPER HINGE ASM, LH      | 1   | EA  |       |
| 28   | PD020195   | SCR 8-18 X 5/8           | 9   | EA  |       |
| 29   | f2097740   | TUBE PROCESS             | 1   | EA  |       |
| 30   | 014519-000 | DIVERTER AIR HI SIDE SXS | 1   | EA  |       |
| 31   | m0104106   | CLIP-CORD VM0104106      | 1   | EA  |       |
| 32   | a3189370   | GASKET-FOAM VA3189370    | 1   | EA  |       |



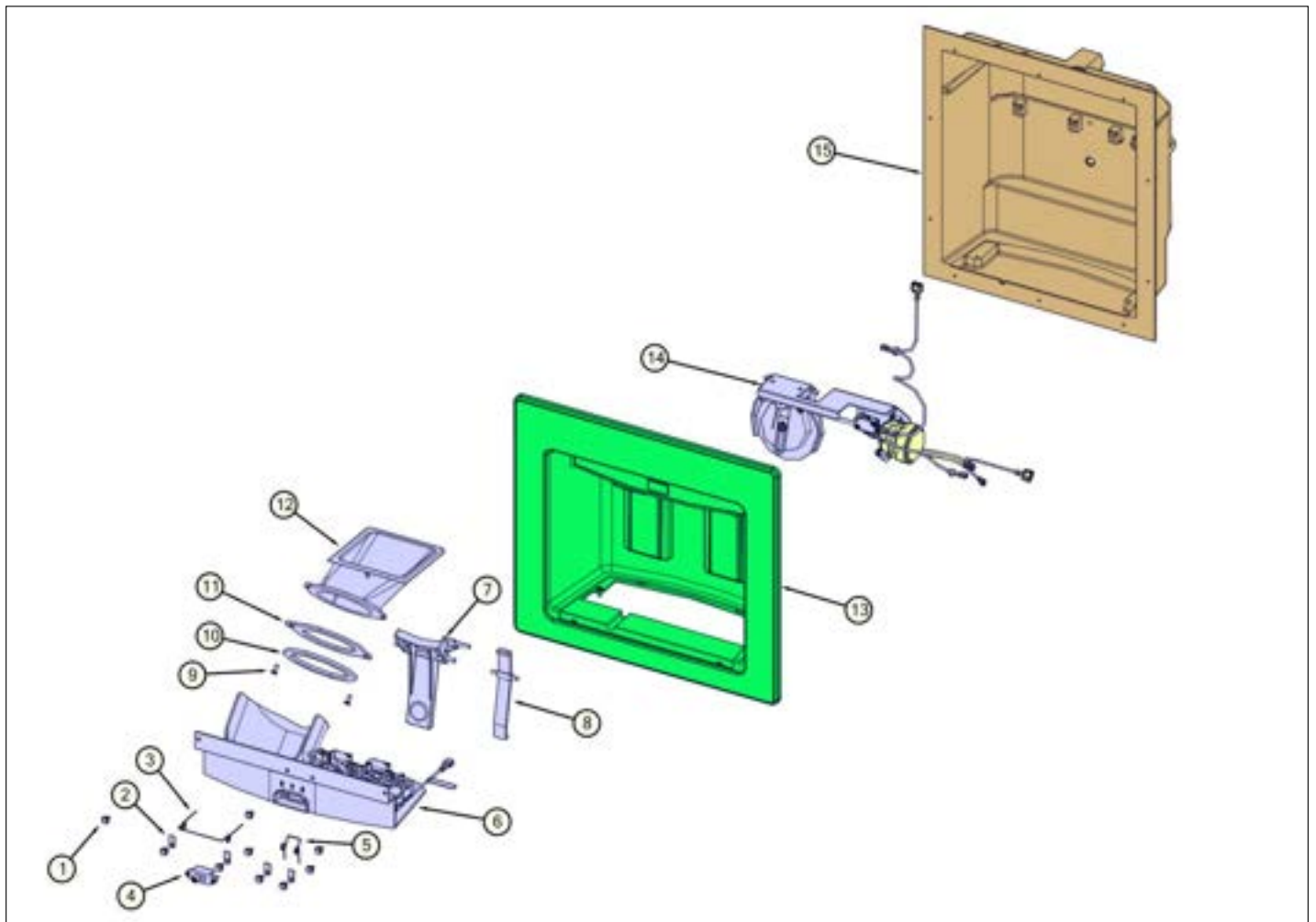
Lo Side Asm View





| Item | Part No.   | Name                                      | Qty | Uom | NOTES |
|------|------------|-------------------------------------------|-----|-----|-------|
| 1    | PD020194   | SCR, HEX SRTD WSHR HD, #8-18 X 1/2        | 20  | EA  |       |
| 2    | M0253916   | SCR 8-32 SHXW 3/8 TRI-LOBE                | 2   | EA  |       |
| 3    | C8983701   | THERMISTOR                                | 1   | EA  |       |
| 4    | L20910054  | COVER LOWER EVAP                          | 1   | EA  |       |
| 5    | G50910020  | EVAP ASM SXS                              | 1   | EA  |       |
| 6    | K2096461   | BRKT-EVAP COVER 12234801                  | 2   | EA  |       |
| 7    | 10629001   | BLOCK-R AIR COIL RED                      | 2   | EA  |       |
| 8    | 058966-000 | THERMOSTAT, SNAP ACTION, 55 OPEN 20 CLOSE | 1   | EA  |       |
| 9    | 10623003   | CLIP-EVAP                                 | 2   | EA  |       |
| 10   | 10527401   | CLIP-EVAP                                 | 2   | EA  |       |
| 11   | K2096456   | BRKT-EVAP CLIP 12215101                   | 2   | EA  |       |
| 12   | F20910021  | HEAT EXCHANGER ASM SXS 48                 | 1   | EA  |       |
| 13   | L20910057  | COVER CENTER EVAP                         | 1   | EA  |       |
| 14   | K2096458   | BRKT-L-EVAP-FAN 12223102                  | 1   | EA  |       |
| 15   | K2096457   | BRKT-R-EVAP FAN 12223101                  | 1   | EA  |       |
| 16   | G5098660   | FAN EVAP ASM PANASONIC                    | 1   | EA  |       |
| 17   | M0238859   | SCREW-SHLDR                               | 4   | EA  |       |
| 18   | PK030540   | DRAIN TUBE SXS's & 36BM                   | 1   | EA  |       |

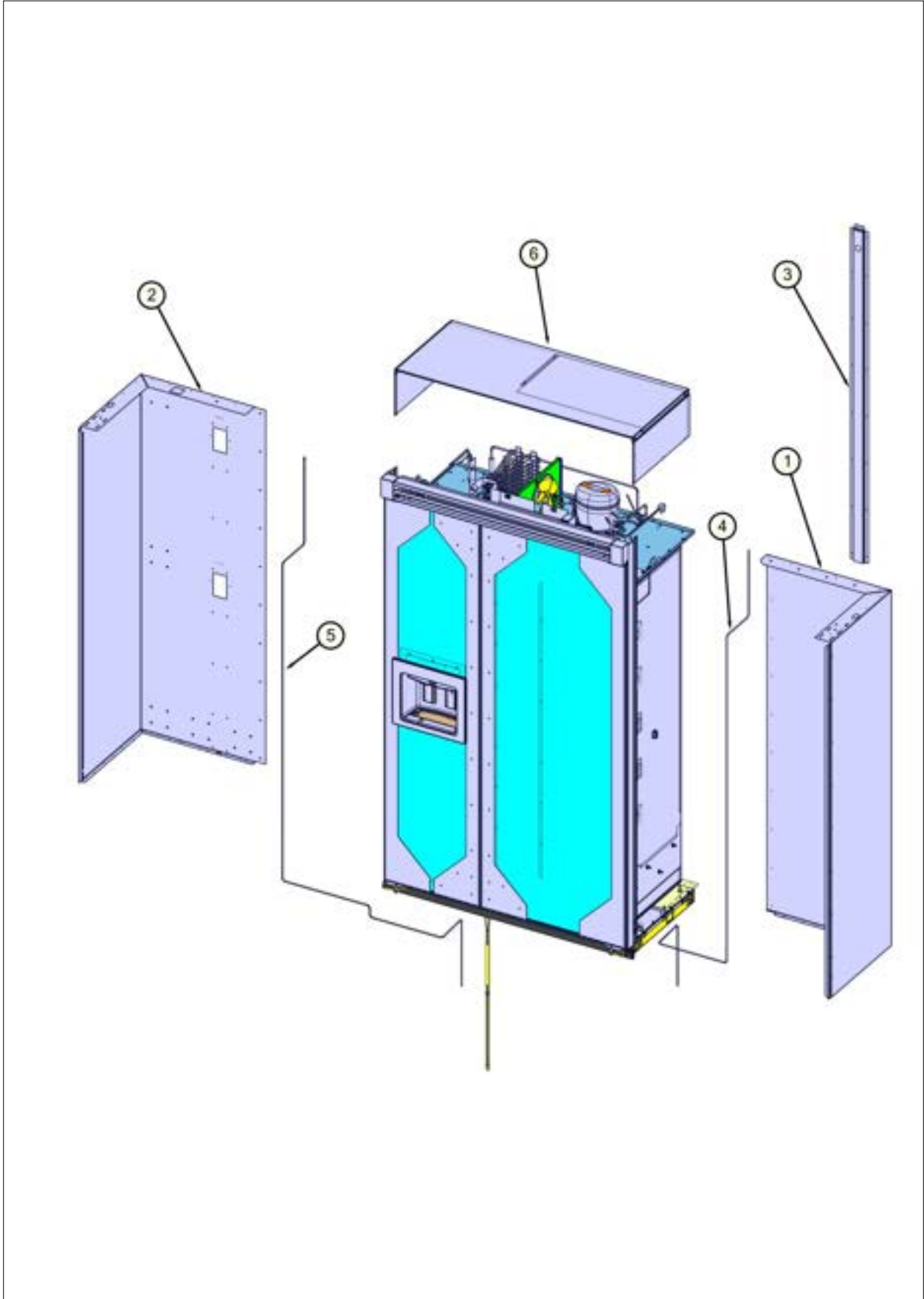
Water Dispensary View





| Item | Part No.   | Name                                                                | Qty | Uom | NOTES |
|------|------------|---------------------------------------------------------------------|-----|-----|-------|
| 1    | PD020193   | SCR 8-18 X 3/8                                                      | 5   | EA  |       |
| 2    | B10910081  | DISP RETAINER ICE ARM                                               | 4   | EA  |       |
| 3    | PC010022   | SPRING RETURN ICE ACTUATOR                                          | 1   | EA  |       |
| 4    | PE950152   | SWITCH SLIDE                                                        | 1   | EA  |       |
| 5    | B8385402   | SPRING-RETURN                                                       | 1   | EA  |       |
| 6    | PE070755   | DISPENSER CAVITY ASSEMBLY (REPLACEMENT BULB IN ASSEMBLY 011209-000) | 1   | EA  |       |
| 7    | PK030470   | ARM ICE ACTUATOR                                                    | 1   | EA  |       |
| 8    | pk930404   | ARM WATER ACTUATOR                                                  | 1   | EA  |       |
| 9    | M0215318   | SCREW-SM                                                            | 5   | EA  |       |
| 10   | 12193801   | GASKET - ICE DR                                                     | 1   | EA  |       |
| 11   | PK930401   | DEFLECTOR-ICE                                                       | 1   | EA  |       |
| 12   | V12348201  | CHUTE ICE                                                           | 1   | EA  |       |
| 13   | 015163-000 | BEZEL ASM (FOL)                                                     | 1   | EA  |       |
| 14   | G50914150  | ICE DISPENSER MODULE ASM                                            | 1   | EA  |       |
| 15   | PK930403   | CAVITY DISPENSER                                                    | 1   | EA  |       |

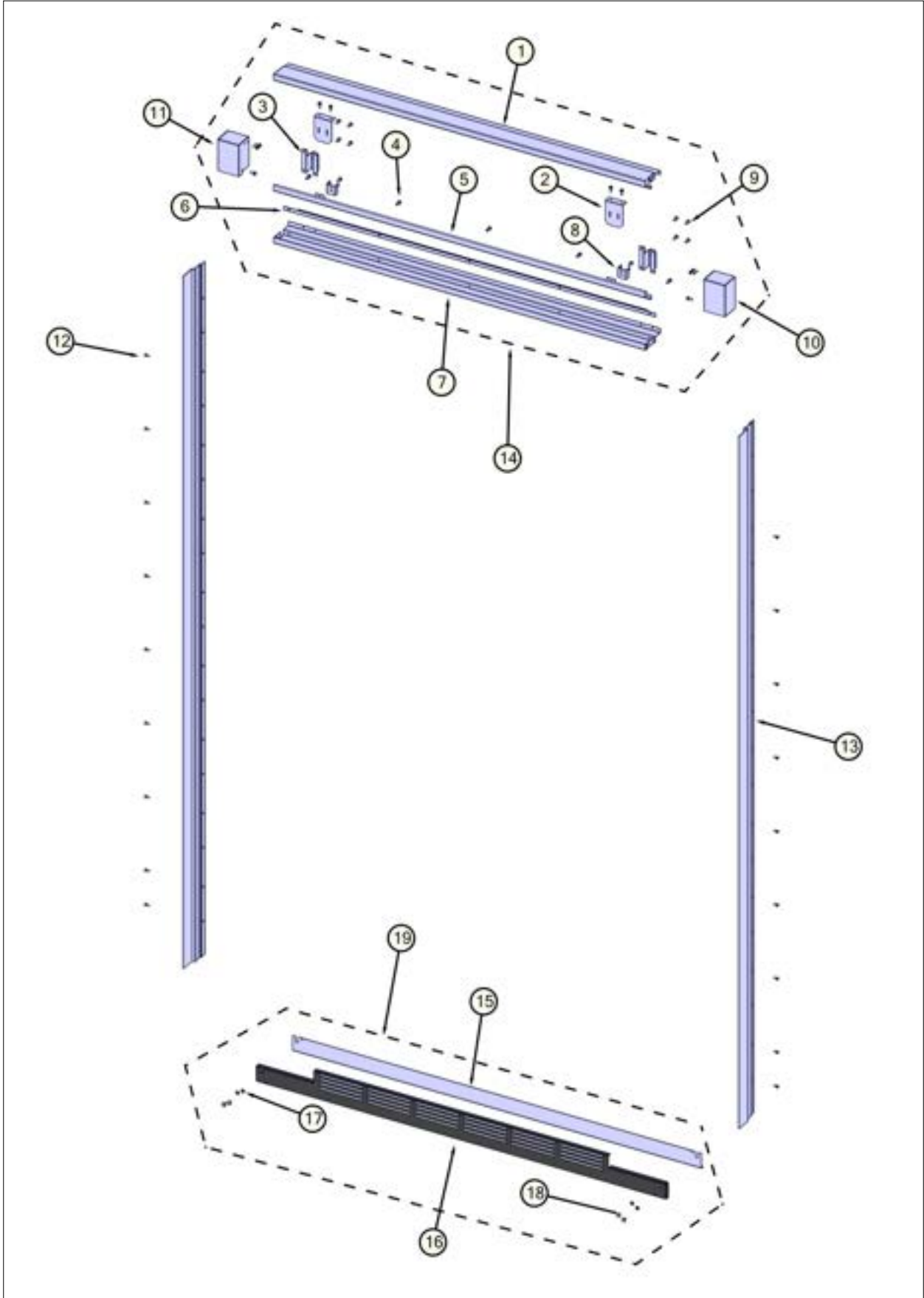
Exterior View





| Item | Part No.   | Name                          | Qty | Uom | NOTES |
|------|------------|-------------------------------|-----|-----|-------|
| 1    | K2099484   | OC WRAPPER SXS 48 R           | 1   | EA  |       |
| 2    | K20915707  | OC WRAPPER SXS 48 L           | 1   | EA  |       |
| 3    | K20910091  | Channel Waterline 42 SxS disp | 1   | EA  |       |
| 4    | F2099494   | TUBE RIGHT POST COND          | 1   | EA  |       |
| 5    | F20912576  | TUBE LEFT POST COND.          | 1   | EA  |       |
| 6    | 007981-000 | MC COVER ASM BI 48            | 1   | EA  |       |

Decor View

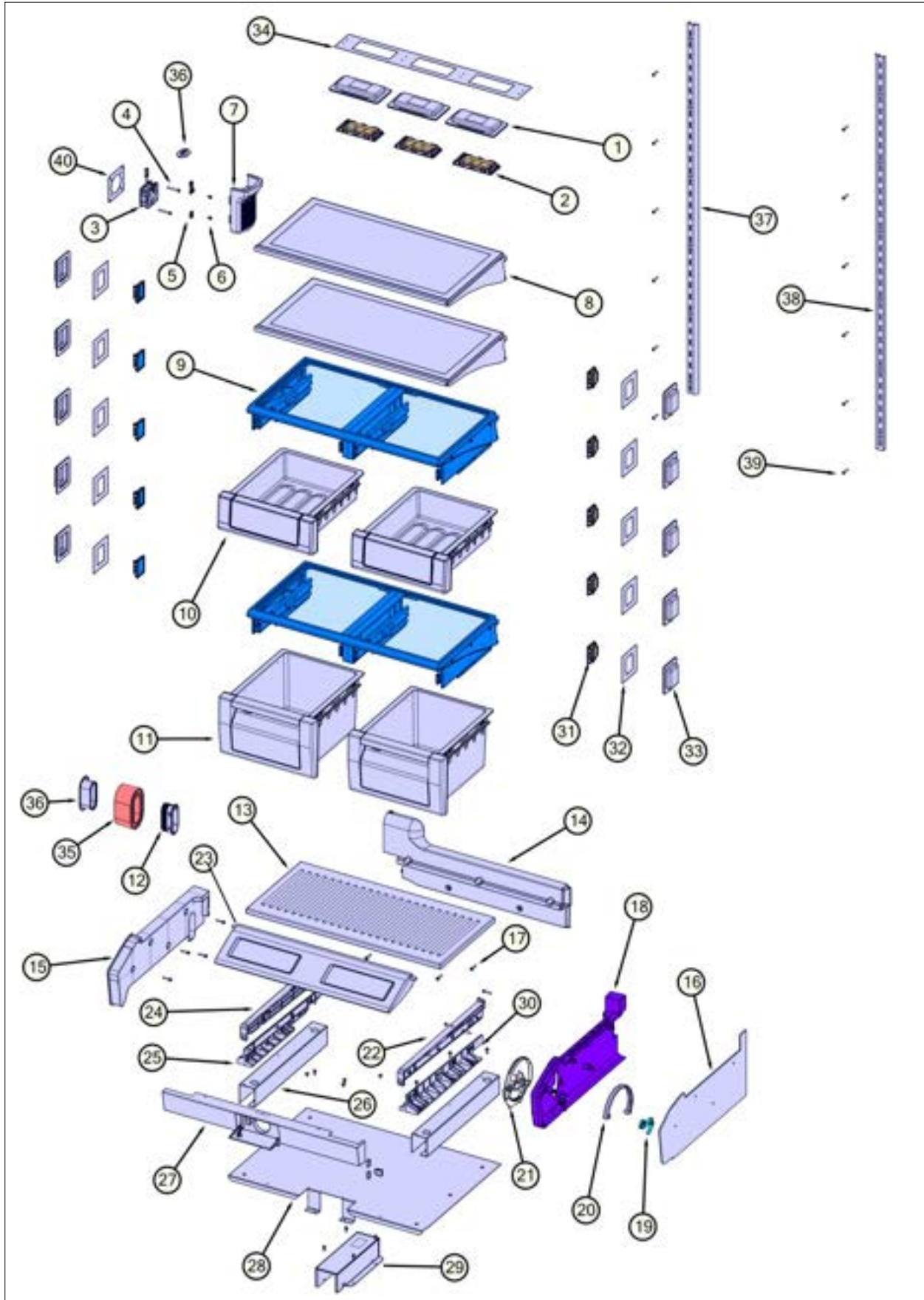




| Item | Part No.   | Name                                   | Qty | Uom | NOTES |
|------|------------|----------------------------------------|-----|-----|-------|
| 1    | 043711-000 | GRILLE, TOP LOUVER 48                  | 1   | EA  |       |
| 2    | K20916342  | BRACKET GRILLE                         | 2   | EA  |       |
| 3    | 042922-000 | BRACKET GRILLE                         | 2   | EA  |       |
| 4    | 046514-000 | SCR, 8-32 IHXP 7/16 S                  | 5   | EA  |       |
| 5    | 043714-000 | GRILLE, MIDDLE LOUVER 48               | 1   | EA  |       |
| 6    | 045719-000 | EXTENSION, GRILLE, SS, 48              | 1   | EA  |       |
| 7    | 043717-000 | GRILLE, BOTTOM LOUVER 48               | 1   | EA  |       |
| 8    | b2096961   | BRACKET-LOUVER                         | 2   | EA  |       |
| 9    | M0220417   | SCREW-TC                               | 21  | EA  |       |
| 10   | 043721-000 | ENDCAP, GRILLE, R, HINGE               | 1   | EA  |       |
| 11   | 043722-000 | ENDCAP, GRILLE, L, HINGE               | 1   | EA  |       |
| 12   | M0215318   | SCREW-SM                               | 18  | EA  |       |
| 13   | PK920066   | TRIM, EXTRU, SIDE DES                  | 2   | EA  |       |
| 14   | 045722-000 | GRILLE, ASM, 48 SXS, FOL               | 1   | EA  |       |
| 15   | 045012-000 | SOLID, TOE, GRILLE, 48 SXS             | 1   | EA  |       |
| 16   | 045011-000 | VENT, TOE, GRILLE, 48 SXS              | 1   | EA  |       |
| 17   | 40370P01   | WASHER, FLAT                           | 4   | EA  |       |
| 18   | PD020032   | SRW-8(A)X3/8"PH.WFR HD<br>7/16DIA*NICL | 4   | EA  |       |
| 19   | 045013-000 | GRILLE, TOE, ASM, 48 SXS               | 1   | EA  |       |



FF Interior View



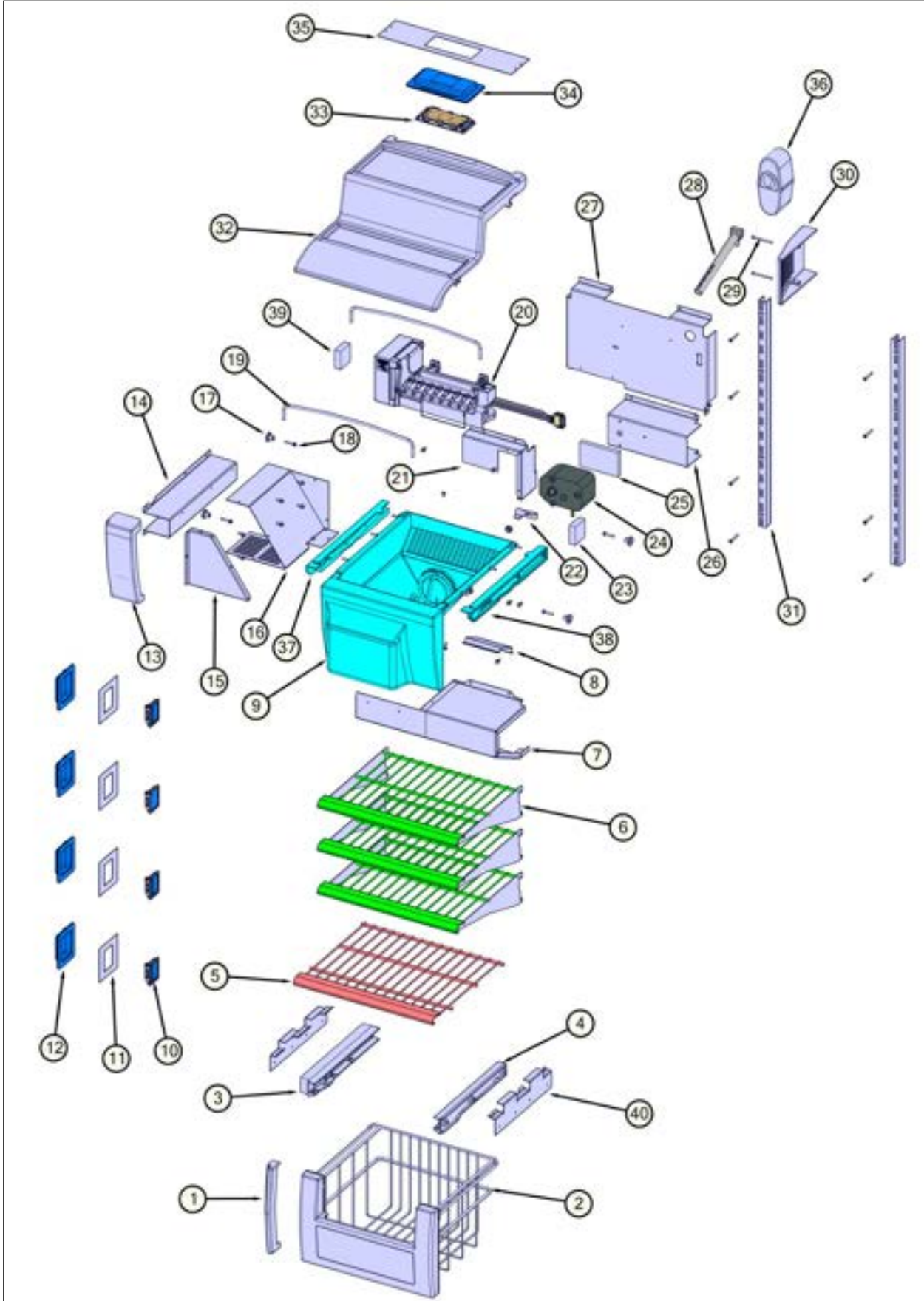


| Item | Part No.   | Name                                 | Qty | Uom | NOTES |
|------|------------|--------------------------------------|-----|-----|-------|
| 1    | 046357-000 | LED CUP ASSY (8)                     | 3   | EA  |       |
| 2    | 042766-000 | LED LIGHT, 8-POINT                   | 3   | EA  |       |
| 3    | 013112-000 | AXIAL FAN                            | 1   | EA  |       |
| 4    | PD020188   | SCR 8-18 BT HXWS 1 1/2               | 2   | EA  |       |
| 5    | M0288120   | NUT-SPEED VM0288120                  | 2   | EA  |       |
| 6    | M0232929   | SCREW-SE                             | 1   | EA  |       |
| 7    | 045686-000 | HOUSING, PCI, ASM, SXS               | 1   | EA  |       |
| 8    | 042675-000 | SHELF, GL, 48" GLASS SHELF ASSY      | 2   | EA  |       |
| 9    | 045819-000 | SHELF ASM 48 FOL                     | 2   | EA  |       |
| 10   | G32911938  | DRAWER DELI ASM SXS 48 AR 30         | 2   | EA  |       |
| 11   | 012259-000 | DRAWER PRODUCE ASM AR 30/48          | 2   | EA  |       |
| 12   | 10178101   | TUNNEL-AIR SUPPLY                    | 1   | EA  |       |
| 13   | PK930308   | SHELF MEAT SAVOR AR 30 SXS 48        | 1   | EA  |       |
| 14   | PK930327   | DUCT MEATSAVOR SXS 48 REAR           | 1   | EA  |       |
| 15   | PK030435   | DUCT MEATSAVOR SXS 48 LEFT           | 1   | EA  |       |
| 16   | PK930283   | DUCT MEATSAVOR SPACER                | 1   | EA  |       |
| 17   | M0211021   | SCREW-SM                             | 16  | EA  |       |
| 18   | 044232-000 | DUCT MEAT SAVOR (R)                  | 1   | EA  |       |
| 19   | PM910334   | ROLLER TENSION                       | 1   | EA  |       |
| 20   | 044385-000 | COVER CONTROL MEATSAVER              | 1   | EA  |       |
| 21   | 044384-000 | DIAL CONTROL MEAT SAVOR              | 1   | EA  |       |
| 22   | PM910287   | SLIDE MEAT SAVOR R                   | 1   | EA  |       |
| 23   | 045692-000 | DOOR MEATSAVOR ASM AR 30 SXS 48      | 1   | EA  |       |
| 24   | PK930176   | SUPPORT DRAWER MEAT SAVOR 42/48 L    | 1   | EA  |       |
| 25   | PK930174   | SUPPORT SLIDE MEAT SAVOR SXS 42/48 L | 1   | EA  |       |
| 26   | K20913096  | BRACKET FALSE FLOOR                  | 2   | EA  |       |
| 27   | 021192-000 | FALSE FRONT ASM SXS 48 D             | 1   | EA  |       |
| 28   | L20913095  | FLOOR-FALSE                          | 1   | EA  |       |



| Item | Part No.   | Name                                             | Qty | Uom | NOTES |
|------|------------|--------------------------------------------------|-----|-----|-------|
| 29   | G50913708  | ASM COVER WATER FILTER                           | 1   | EA  |       |
| 30   | PK930173   | SUPPORT SLIDE MEAT SAVOR<br>SXS 42/48 R          | 1   | EA  |       |
| 31   | 042764-000 | LED LIGHT, 3-POINT                               | 10  | EA  |       |
| 32   | 044694-000 | LED SHIM, SMALL SINGLE<br>(NON-SERVICEABLE PART) | 10  | EA  |       |
| 33   | 046358-000 | LED CUP ASSY (3) (NON-<br>SERVICEABLE PART)      | 10  | EA  |       |
| 34   | 044692-000 | LED SHIM, 24"                                    | 1   | EA  |       |
| 35   | 012043-000 | INSULATION,AIR,TUNNEL                            | 1   | EA  |       |
| 36   | C8983701   | THERMISTOR                                       | 1   | EA  |       |
| 37   | PK020079   | LADDER FF L SXS 42D/48D                          | 1   | EA  |       |
| 38   | PM910227   | LADDER RS REF                                    | 1   | EA  |       |
| 39   | 013397-000 | 1" PAINTED LADDER SCREW                          | 12  | EA  |       |
| 40   | 007302-000 | BRACKET,FAN                                      | 1   | EA  |       |
| 41   | 10178001   | TUNNEL-AIR SUPPLY                                | 1   | EA  |       |

FZ Interior View





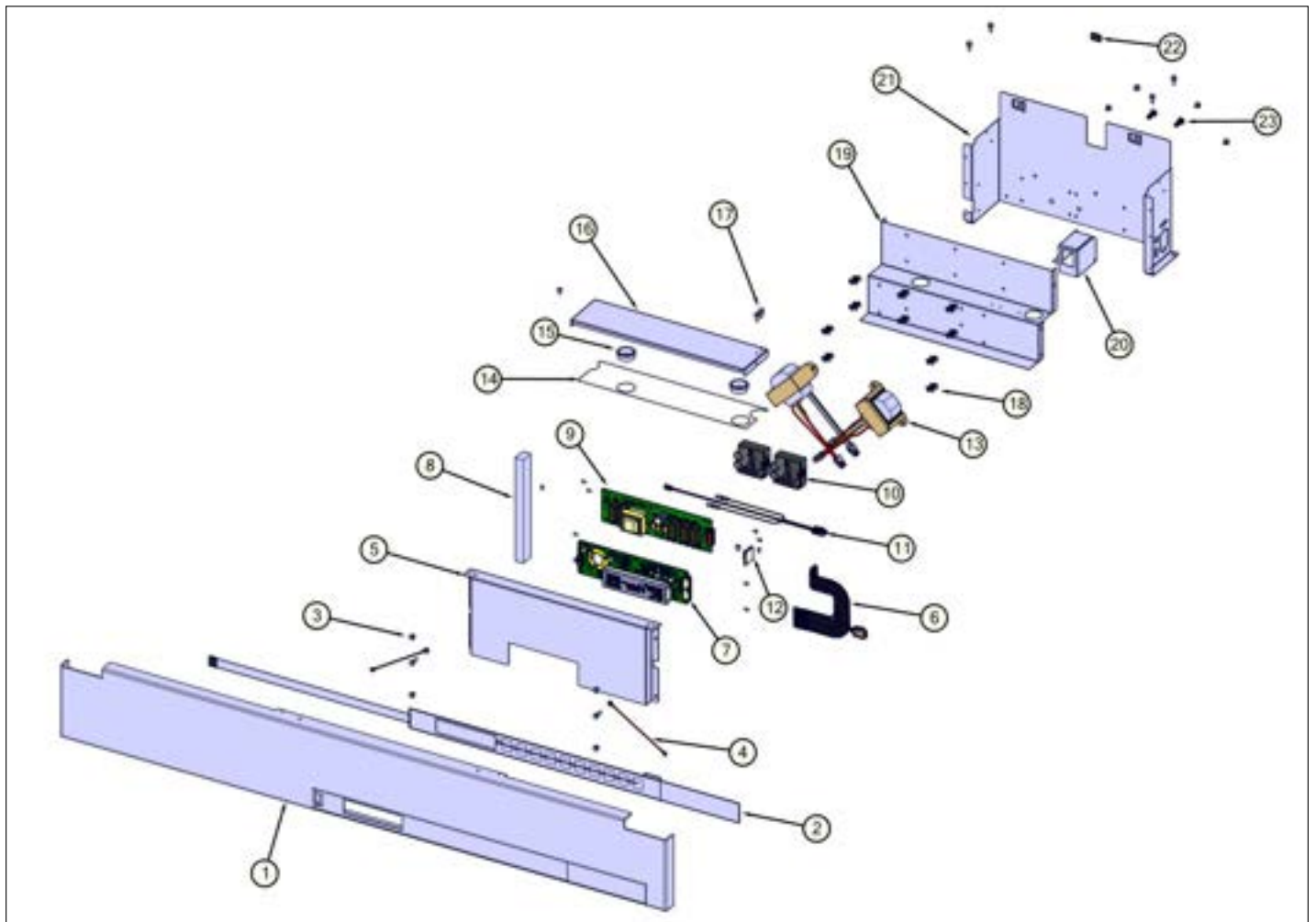
| Item                                                                                                                                                   | Part No.    | Name                                             | Qty | Uom | NOTES |
|--------------------------------------------------------------------------------------------------------------------------------------------------------|-------------|--------------------------------------------------|-----|-----|-------|
| 1                                                                                                                                                      | PK930107    | CLOSEOUT FZ SIDE DISP                            | 1   | EA  |       |
| 2                                                                                                                                                      | PM910190    | BASKET ASM FZ                                    | 1   | EA  |       |
| 3                                                                                                                                                      | PK930075    | GLIDE SXS 48 FZ L                                | 1   | EA  |       |
| 4                                                                                                                                                      | PK930074    | GLIDE SXS 48 FZ R                                | 1   | EA  |       |
| 5                                                                                                                                                      | PM910231    | BASKET FZ                                        | 1   | EA  |       |
| 6                                                                                                                                                      | PM910411    | SHELF WIRE 42/48                                 | 3   | EA  |       |
| 7                                                                                                                                                      | 043897-000  | COVER EVAP MOTOR                                 | 1   | EA  |       |
| 8                                                                                                                                                      | 044615-000  | PROTECTOR, LIGHT                                 | 1   | EA  |       |
| 9                                                                                                                                                      | 019144-000  | ICE BUCKET ASSY                                  | 1   | EA  |       |
| <p>Comments for Part Num. 019144-000</p> <p>gboltz@VikingRange.com on Mar 28, 2017</p> <p>See parts bulletin 2017-03P ice bucket helix replacement</p> |             |                                                  |     |     |       |
| 10                                                                                                                                                     | 042764-000  | LED LIGHT, 3-POINT                               | 4   | EA  |       |
| 11                                                                                                                                                     | 044694-000  | LED SHIM, SMALL SINGLE<br>(NON-SERVICEABLE PART) | 4   | EA  |       |
| 12                                                                                                                                                     | 046358-000  | LED CUP ASSY (3) (NON-<br>SERVICEABLE PART)      | 4   | EA  |       |
| 13                                                                                                                                                     | PK930096    | CLOSEOUT - ICE DISPENSER                         | 1   | EA  |       |
| 14                                                                                                                                                     | C90910027WH | SUPPORT LS ICE BUCKET                            | 1   | EA  |       |
| 15                                                                                                                                                     | L20910075   | COVER EVAP FAN                                   | 1   | EA  |       |
| 16                                                                                                                                                     | L20910074   | TRAN EVAP FAN                                    | 1   | EA  |       |
| 17                                                                                                                                                     | 12258501    | SUPPORT-SHELF                                    | 4   | EA  |       |
| 18                                                                                                                                                     | M0211021    | SCREW-SM                                         | 4   | EA  |       |
| 19                                                                                                                                                     | PM910435    | RETAINER,W                                       | 2   | EA  |       |
| 20                                                                                                                                                     | G50911851   | IM ASM, SXS & AF                                 | 1   | EA  |       |
| 21                                                                                                                                                     | L2098027    | DUCT - EVAP FAN                                  | 1   | EA  |       |
| 22                                                                                                                                                     | B20911863   | Driver- Ice Bucket RNG                           | 1   | EA  |       |
| 23                                                                                                                                                     | PB970176    | GASKET UPPER EVAP COVER                          | 0.5 | EA  |       |
| 24                                                                                                                                                     | PE950158    | Motor Auger                                      | 1   | EA  |       |
| 25                                                                                                                                                     | PM010540    | FOAM-SPACER                                      | 1   | EA  |       |
| 26                                                                                                                                                     | C90910713WH | BRACKET AUGER MOTOR                              | 1   | EA  |       |
| 27                                                                                                                                                     | C90910058WH | COVER UPPER EVAP                                 | 1   | EA  |       |
| 28                                                                                                                                                     | 029418-000  | FILL TUBE DISP                                   | 1   | EA  |       |



| Item | Part No.    | Name                    | Qty | Uom | NOTES |
|------|-------------|-------------------------|-----|-----|-------|
| 29   | M0221913    | SCREW-SM                | 4   | EA  |       |
| 30   | PK930086    | COVER FAN SXS 48 FZ     | 1   | EA  |       |
| 31   | PM910375    | LADDER R/L FZ           | 2   | EA  |       |
| 32   | PK930264    | SHELF COVER             | 1   | EA  |       |
| 33   | 042766-000  | LED LIGHT, 8-POINT      | 1   | EA  |       |
| 34   | 046357-000  | LED CUP ASSY (8)        | 1   | EA  |       |
| 35   | 045044-000  | SHIM, LED, 42/48, FZ    | 2   | EA  |       |
| 36   | PM910194    | BLOCK FILL TUBE         | 1   | EA  |       |
| 37   | PK930266    | GLIDE L FZ              | 1   | EA  |       |
| 38   | PK930265    | GLIDE R FZ              | 1   | EA  |       |
| 39   | PB970176    | GASKET UPPER EVAP COVER | 2   | EA  |       |
| 40   | C90910067WH | BRACKET SHELF FZ        | 2   | EA  |       |



Control View

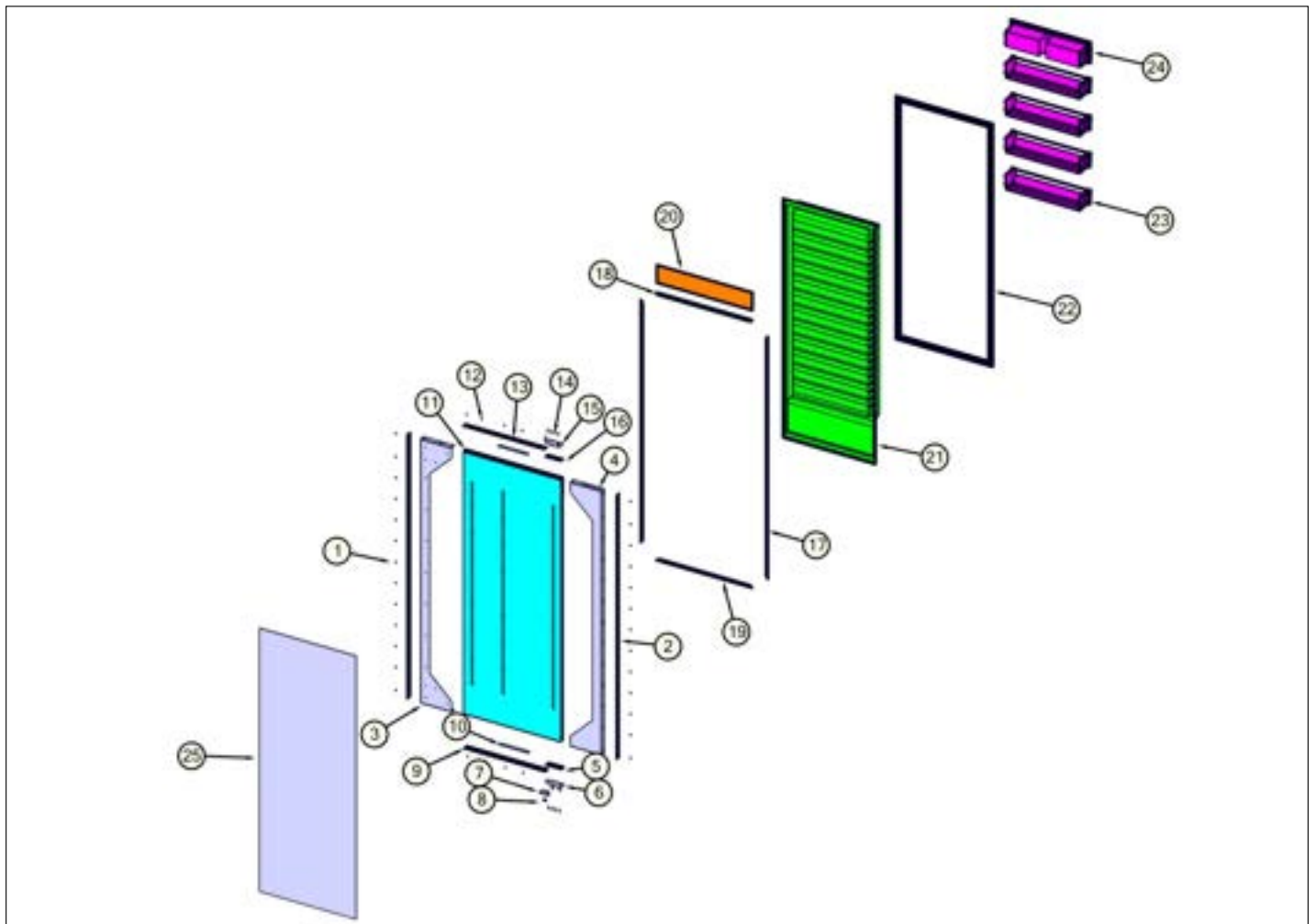




| Item                                                                                                                     | Part No.   | Name                               | Qty | Uom | NOTES |
|--------------------------------------------------------------------------------------------------------------------------|------------|------------------------------------|-----|-----|-------|
| 1                                                                                                                        | 016593-000 | PANEL CONTROL SXS 48               | 1   | EA  |       |
| 2                                                                                                                        | 043635-000 | OVERLAY, SW, ASM, SXS, 48 DISP     | 1   | EA  |       |
| 3                                                                                                                        | PD020193   | SCR 8-18 X 3/8                     | 9   | EA  |       |
| 4                                                                                                                        | 12064001   | SUPP-CONT PANEL                    | 2   | EA  |       |
| 5                                                                                                                        | 016930-000 | MOTR CONTROL BOX FRONT             | 1   | EA  |       |
| 6                                                                                                                        | PE970464   | HARNESS LOW VOLT                   | 1   | EA  |       |
| 7                                                                                                                        | 057309-000 | BOARD, LOW VOLTAGE                 | 1   | EA  |       |
| <p>Comments for Part Num. 057309-000</p> <p>gboltz@VikingRange.com on Apr 29, 2019<br/>SEE TTR-0010 for installation</p> |            |                                    |     |     |       |
| 8                                                                                                                        | A3030361   | GASKET RED                         | 2   | EA  |       |
| 9                                                                                                                        | 005319-000 | POWER CONTROL BOARD ASM            | 1   | EA  |       |
| <p>Comments for Part Num. 005319-000</p> <p>boltz on Apr 12, 2018<br/>See TR-0056-SP Bulletin</p>                        |            |                                    |     |     |       |
| 10                                                                                                                       | 046385-000 | CIRCUIT, LED SOFT START            | 2   | EA  |       |
| 11                                                                                                                       | PE970609   | HARNESS CONTROL BOARD              | 1   | EA  |       |
| 12                                                                                                                       | m0104106   | CLIP-CORD VM0104106                | 1   | EA  |       |
| 13                                                                                                                       | 046386-000 | TRANSFORMER, LED SOFT START        | 2   | EA  |       |
| 14                                                                                                                       | 005396-000 | FILM,PROTECTIVE                    | 1   | EA  |       |
| 15                                                                                                                       | A4554817   | BUSHING-SNAP VA4554817             | 2   | EA  |       |
| 16                                                                                                                       | K20915000  | CONTROL BOX TOP                    | 1   | EA  |       |
| 17                                                                                                                       | PD020194   | SCR, HEX SRTD WSHR HD, #8-18 X 1/2 | 22  | EA  |       |
| 18                                                                                                                       | m0585504   | SUPPORT                            | 10  | EA  |       |
| 19                                                                                                                       | 044479-000 | MOTOR BRACKET PCB                  | 1   | EA  |       |
| 20                                                                                                                       | 025433-000 | BRACKET,SW,POWER                   | 1   | EA  |       |
| 21                                                                                                                       | 047016-000 | MOTOR CONTROL BOX                  | 1   | EA  |       |
| 22                                                                                                                       | M0288120   | NUT-SPEED VM0288120                | 1   | EA  |       |
| 23                                                                                                                       | 049666-000 | SCREW, THREAD ROLLING PAN HEAD     | 2   | EA  |       |



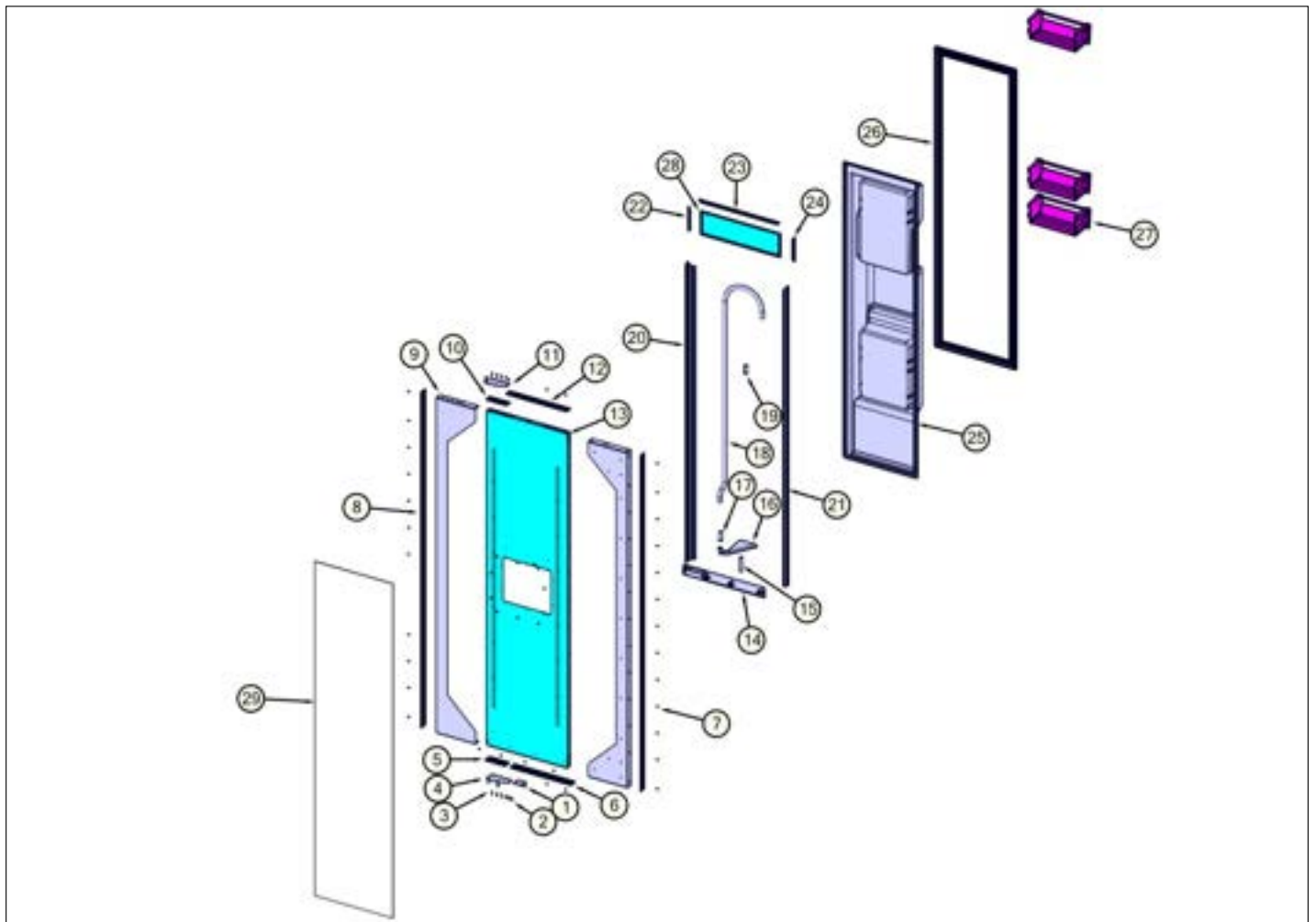
FF Door View





| Item | Part No.   | Name                                                | Qty | Uom | NOTES |
|------|------------|-----------------------------------------------------|-----|-----|-------|
| 1    | M0215318   | SCREW-SM                                            | 35  | EA  |       |
| 2    | 000953-000 | EXTRUSION,FOL,SIDE                                  | 2   | EA  |       |
| 3    | 000950-000 | BRACKET,PNL,FULL OVERLAY                            | 2   | EA  |       |
| 4    | 007377-000 | BRACKET,SIDE,HINGE,FULL OVERLAY                     | 1   | EA  |       |
| 5    | 034903-000 | EXTRUSION, FOL, PIVOT PLATE SPACER, LEFT            | 1   | EA  |       |
| 6    | 044508-000 | PIVOT PLATE, LOWER, RH FOL                          | 1   | EA  |       |
| 7    | PD050019   | STRIKER DOOR SWITCH                                 | 1   | EA  |       |
| 8    | M0210458   | SCR 8-18 X 5/8 WAFER PH SMS                         | 2   | EA  |       |
| 9    | 004500-000 | EXTRUSION,FOL,BOT,48 FF                             | 1   | EA  |       |
| 10   | 008399-000 | SPACER,36,30,48FF,FOL                               | 2   | EA  |       |
| 11   | G30910031  | PAN WELD ASM SXS 48 FF                              | 1   | EA  |       |
| 12   | M0215318   | SCREW-SM                                            | 31  | EA  |       |
| 13   | 002297-000 | EXTRUSION,FOL,TOP,48 SXS FF                         | 1   | EA  |       |
| 14   | PD920174   | 10X7/8 PHILLIPS SMA TRI LOBE SA                     | 8   | EA  |       |
| 15   | 044505-000 | PIVOT PLATE, UPPER, RH FOL                          | 1   | EA  |       |
| 16   | 034902-000 | EXTRUSION, FOL, PIVOT PLATE SPACER, RIGHT           | 1   | EA  |       |
| 17   | 002791-000 | RETAINER,GSKT,SIDE VID# 202722791-17                | 2   | EA  |       |
| 18   | 002862-000 | EXTENSION,DOOR,TOP,RH,EX TRSN VID# 234832862-17     | 1   | EA  |       |
| 19   | 005022-000 | RETAINER,GSKT,MDL,TOP,SXS , 48 FF VID# 202735022-17 | 1   | EA  |       |
| 20   | 12089202   | LINER-EXTENSION                                     | 1   | EA  |       |
| 21   | PK930070   | LINER DOOR SXS 48 FF                                | 1   | EA  |       |
| 22   | 005454-000 | GASKET, ASM, 48, SXS, FF                            | 1   | EA  |       |
| 23   | 036886-000 | DOORBIN ASM SXS 48 FF                               | 4   | EA  |       |
| 24   | V12203602  | DAIRY MODULE ASSY #                                 | 1   | EA  |       |
| 25   | 003621-000 | SHEET,FOAM,30 AF/AR, 48 FF                          | 1   | EA  |       |
| NI   | 002999-000 | COVER, SCR, RBR, GRAY FOL SXS                       | 1   | EA  |       |

FZ Door View



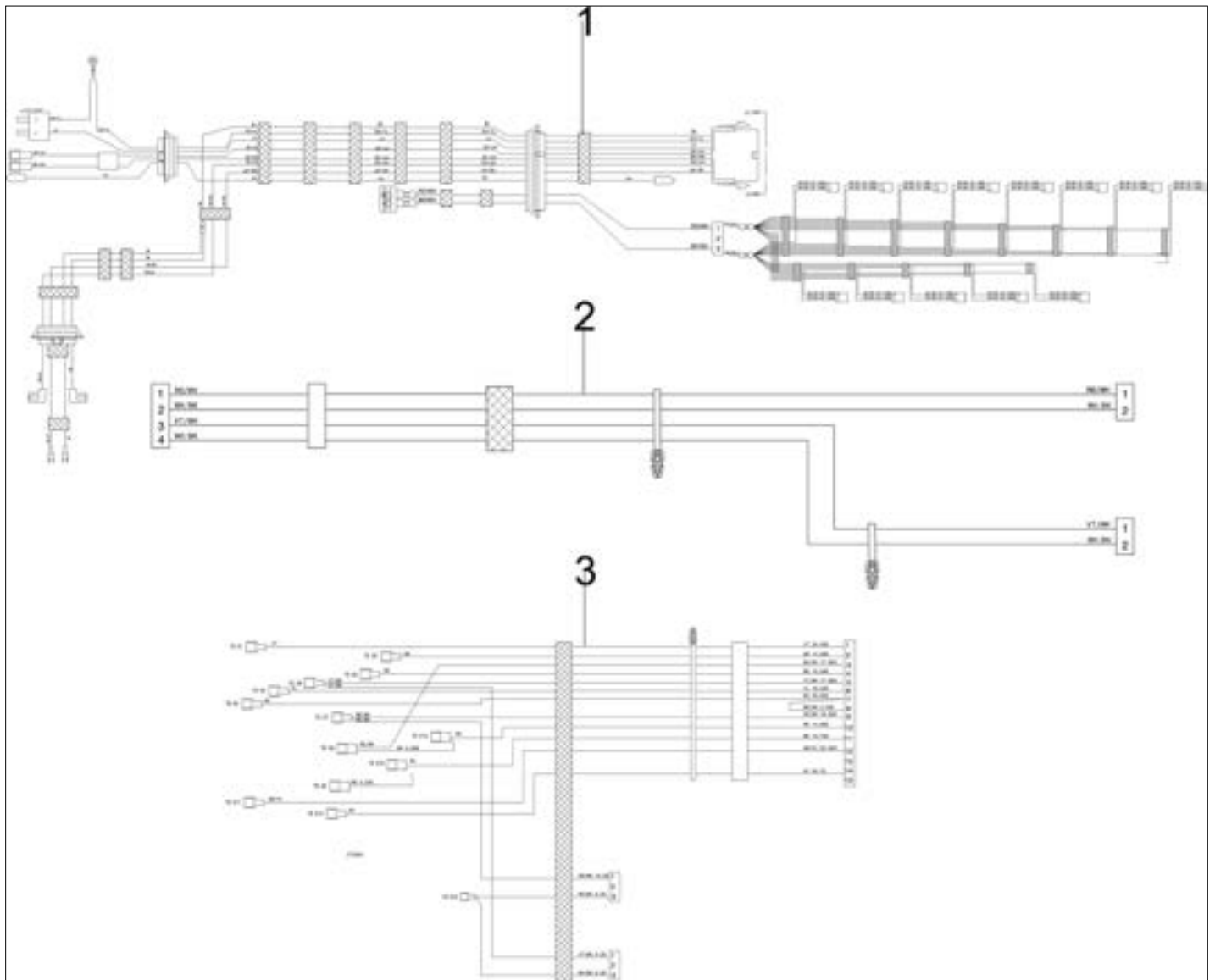


| Item | Part No.   | Name                                                  | Qty | Uom | NOTES |
|------|------------|-------------------------------------------------------|-----|-----|-------|
| 1    | 044314-000 | STRIKER, DOOR SWITCH                                  | 1   | EA  |       |
| 2    | M0210458   | SCR 8-18 X 5/8 WAFER PH SMS                           | 2   | EA  |       |
| 3    | PD920174   | 10X7/8 PHILLIPS SMA TRI<br>LOBE SA                    | 8   | EA  |       |
| 4    | 044507-000 | PIVOT PLATE, LOWER, LH FOL                            | 1   | EA  |       |
| 5    | 034902-000 | EXTRUSION, FOL, PIVOT<br>PLATE SPACER, RIGHT          | 1   | EA  |       |
| 6    | 004501-000 | EXTRUSION,FOL,BOT,48 FZ                               | 1   | EA  |       |
| 7    | M0215318   | SCREW-SM                                              | 31  | EA  |       |
| 8    | 000953-000 | EXTRUSION,FOL,SIDE                                    | 2   | EA  |       |
| 9    | 007377-000 | BRACKET,SIDE,HINGE,FULL<br>OVERLAY                    | 1   | EA  |       |
| 10   | 034903-000 | EXTRUSION, FOL, PIVOT<br>PLATE SPACER, LEFT           | 1   | EA  |       |
| 11   | 044506-000 | PIVOT PLATE, UPPER, LH FOL                            | 1   | EA  |       |
| 12   | 002301-000 | EXTRUSION,FOL,TOP,48 SXS<br>FZ                        | 1   | EA  |       |
| 13   | G30913028  | PAN WELD ASM SXS 48 DISP<br>FZ                        | 1   | EA  |       |
| 14   | PK930369   | EXTENSION DOOR LINER<br>BOTTOM                        | 1   | EA  |       |
| 15   | PK030436   | FILL TUBE                                             | 1   | EA  |       |
| 16   | PK930297   | ELBOW CHASE SXS DISP                                  | 1   | EA  |       |
| 17   | PK930293   | ADAPTER CABLE/WATERLINE<br>BOTTOM SXS DISP            | 1   | EA  |       |
| 18   | PK930410   | CHASE WATERLINE                                       | 1   | EA  |       |
| 19   | PK930274   | TUBE CONNECTOR                                        | 1   | EA  |       |
| 20   | 004099-000 | RETAINER,GSKT,SIDE,42-48<br>ADAPTER VID# 202804099-17 | 1   | EA  |       |
| 21   | 004956-000 | RETAINER,GSKT,SIDE,SXS, FZ<br>DISP VID# 202724956-17  | 1   | EA  |       |
| 22   | 002862-000 | EXTENSION,DOOR,TOP,RH,EX<br>TRSN VID# 234832862-17    | 1   | EA  |       |
| 23   | PK030566   | EXTR DR GASKET 48 FZ TOP<br>VID# 234830565-17         | 1   | EA  |       |
| 24   | 002878-000 | EXTENSION,DOOR,TOP,LH,EX<br>TRSN VID# 234832878-17    | 1   | EA  |       |
| 25   | PK930194   | LINER DOOR SXS FZ DISP                                | 1   | EA  |       |
| 26   | 005456-000 | GASKET,ASM,48,SXS,FZ DISP<br>VID# 602712917-17        | 1   | EA  |       |



| Item | Part No.   | Name                             | Qty | Uom | NOTES |
|------|------------|----------------------------------|-----|-----|-------|
| 27   | 036888-000 | DOORBIN ASM SXS FZ               | 3   | EA  |       |
| 28   | 12089203   | LINER-EXTENSION                  | 1   | EA  |       |
| 29   | 003620-000 | SHEET,FOAM,42/48 FZ              | 1   | EA  |       |
| NI   | 002999-000 | COVER, SCR, RBR, GRAY FOL<br>SXS | 1   | EA  |       |

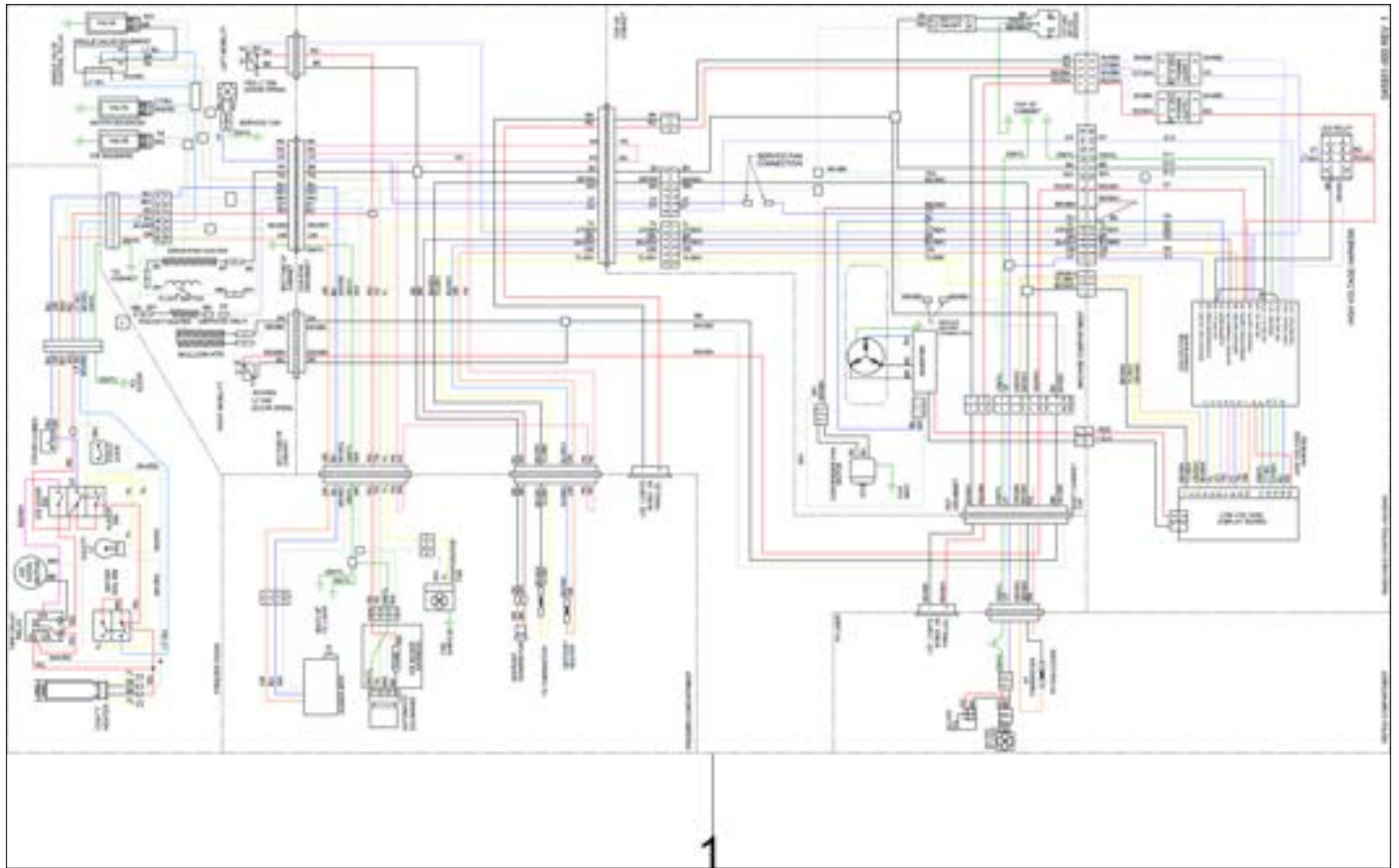
Harness View





| Item | Part No.   | Name                                  | Qty | Uom | NOTES |
|------|------------|---------------------------------------|-----|-----|-------|
| 1    | 043373-000 | HARNESS, FF, CABINET                  | 1   | EA  |       |
| 2    | 048680-000 | HARNESS, POWER SUPPLY,<br>LED, BM/SXS | 1   | EA  |       |
| 3    | 048643-000 | HARNESS, HIGH VOLTAGE                 | 1   | EA  |       |
| NA   | 043801-000 | HARNESS, FZ, CABINET                  | 1   | EA  |       |
| NA   | 011059-000 | HARNESS, JUMPER                       | 1   | EA  |       |
| NA   | 043371-000 | HARNESS, MC                           | 1   | EA  |       |
| NA   | 042336-000 | HARNESS SXS DISP DOOR                 | 1   | EA  |       |

Wiring Diagram







| Item | Part No.   | Name                             | Qty | Uom | NOTES |
|------|------------|----------------------------------|-----|-----|-------|
| 1    | 045931-000 | DIAGRAM WIRING 42/48 SXS<br>DISP | 1   | EA  |       |



Appendix A:Pages Index

Bottom View ..... 1  
Control View ..... 9  
Decor View ..... 6  
Exterior View .....5  
FF Door View ..... 10  
FF Interior View ..... 7  
FZ Door View ..... 11  
FZ Interior View ..... 8  
Harness View ..... 12  
Lo Side Asm View ..... 3  
Top View ..... 2  
Water Dispensery View ..... 4  
Wiring Diagram .....13



Appendix B:Parts Index

|            |        |            |        |
|------------|--------|------------|--------|
| 000570-000 | 1, 2   | 025433-000 | 9      |
| 000950-000 | 10     | 029418-000 | 8      |
| 000953-000 | 10, 11 | 034902-000 | 10, 11 |
| 002297-000 | 10     | 034903-000 | 10, 11 |
| 002301-000 | 11     | 036886-000 | 10     |
| 002791-000 | 10     | 036888-000 | 11     |
| 002862-000 | 10, 11 | 041669-000 | 1      |
| 002878-000 | 11     | 042336-000 | 12     |
| 002999-000 | 10, 11 | 042675-000 | 7      |
| 003620-000 | 11     | 042764-000 | 7, 8   |
| 003621-000 | 10     | 042766-000 | 7, 8   |
| 004099-000 | 11     | 042922-000 | 6      |
| 004500-000 | 10     | 043258-000 | 1      |
| 004501-000 | 11     | 043261-000 | 1      |
| 004956-000 | 11     | 043371-000 | 12     |
| 005022-000 | 10     | 043373-000 | 12     |
| 005319-000 | 9      | 043635-000 | 9      |
| 005396-000 | 9      | 043711-000 | 6      |
| 005454-000 | 10     | 043714-000 | 6      |
| 005456-000 | 11     | 043717-000 | 6      |
| 007302-000 | 7      | 043721-000 | 6      |
| 007377-000 | 10, 11 | 043722-000 | 6      |
| 007981-000 | 5      | 043801-000 | 12     |
| 008399-000 | 10     | 043897-000 | 8      |
| 008501-000 | 1      | 044026-000 | 1      |
| 011059-000 | 12     | 044034-000 | 1      |
| 011332-000 | 1      | 044046-000 | 1      |
| 011666-000 | 2      | 044232-000 | 7      |
| 012043-000 | 7      | 044314-000 | 11     |
| 012259-000 | 7      | 044358-000 | 2      |
| 013112-000 | 1, 7   | 044359-000 | 2      |
| 013397-000 | 7      | 044370-000 | 1      |
| 014190-000 | 2      | 044372-000 | 1      |
| 014519-000 | 2      | 044373-000 | 1      |
| 014808-000 | 1      | 044374-000 | 1      |
| 015163-000 | 4      | 044377-000 | 1      |
| 016593-000 | 9      | 044384-000 | 7      |
| 016930-000 | 9      | 044385-000 | 7      |
| 019144-000 | 8      | 044479-000 | 9      |
| 021192-000 | 7      | 044505-000 | 10     |
|            |        | 044506-000 | 11     |



|            |      |             |      |
|------------|------|-------------|------|
| 044507-000 | 11   | 10623003    | 3    |
| 044508-000 | 10   | 10629001    | 3    |
| 044511-000 | 1    | 10699601    | 2    |
| 044615-000 | 8    | 10712401    | 1    |
| 044692-000 | 7    | 10835901    | 2    |
| 044694-000 | 7, 8 | 12064001    | 9    |
| 044939-000 | 1    | 12089202    | 10   |
| 045011-000 | 6    | 12089203    | 11   |
| 045012-000 | 6    | 12193801    | 4    |
| 045013-000 | 6    | 12258501    | 8    |
| 045044-000 | 8    | 40370P01    | 6    |
| 045055-000 | 1    | A3030361    | 9    |
| 045057-000 | 1    | A4554806    | 1    |
| 045406-000 | 1    | A4554817    | 1, 9 |
| 045686-000 | 7    | B10910081   | 4    |
| 045692-000 | 7    | B20911863   | 8    |
| 045719-000 | 6    | B20915627   | 1    |
| 045722-000 | 6    | B8385402    | 4    |
| 045819-000 | 7    | C8983701    | 3, 7 |
| 045931-000 | 13   | C90910027WH | 8    |
| 046062-000 | 1    | C90910058WH | 8    |
| 046063-000 | 1    | C90910067WH | 8    |
| 046357-000 | 7, 8 | C90910713WH | 8    |
| 046358-000 | 7, 8 | F20910021   | 3    |
| 046385-000 | 9    | F20912576   | 5    |
| 046386-000 | 9    | F20915693   | 1    |
| 046514-000 | 6    | F2096504    | 2    |
| 047016-000 | 9    | F2099443    | 2    |
| 048643-000 | 12   | F2099444    | 2    |
| 048680-000 | 12   | F2099494    | 5    |
| 049666-000 | 9    | G30910031   | 10   |
| 057309-000 | 9    | G30913028   | 11   |
| 058966-000 | 3    | G32911938   | 7    |
| 059105-000 | 2    | G32914174   | 1    |
| 060890-000 | 1    | G32915704   | 1    |
| 060891-000 | 1    | G50910020   | 3    |
| 068353-000 | 2    | G50911851   | 8    |
| 10178001   | 7    | G50913708   | 7    |
| 10178101   | 7    | G50914125   | 1    |
| 10527401   | 3    | G50914150   | 4    |
| 10547001   | 2    | G5098660    | 3    |



|           |                  |          |            |
|-----------|------------------|----------|------------|
| K20910091 | 5                | PD020010 | 2          |
| K20911831 | 1                | PD020032 | 6          |
| K20913096 | 7                | PD020188 | 7          |
| K20915000 | 9                | PD020193 | 4, 9       |
| K20915707 | 5                | PD020194 | 1, 2, 3, 9 |
| K20915952 | 1                | PD020195 | 2          |
| K20916342 | 6                | PD020274 | 1          |
| K2096456  | 3                | PD030146 | 1          |
| K2096457  | 3                | PD050019 | 10         |
| K2096458  | 3                | PD920174 | 10, 11     |
| K2096461  | 3                | PD940107 | 1          |
| K2098044  | 1                | PE050248 | 1          |
| K2098096  | 1                | PE070755 | 4          |
| K2099454  | 2                | PE950149 | 2          |
| K2099484  | 5                | PE950152 | 4          |
| L20910054 | 3                | PE950158 | 8          |
| L20910057 | 3                | PE970464 | 9          |
| L20910074 | 8                | PE970609 | 9          |
| L20910075 | 8                | PK020079 | 7          |
| L20913095 | 7                | PK030435 | 7          |
| L2098027  | 8                | PK030436 | 11         |
| M0104102  | 1                | PK030470 | 4          |
| M0210458  | 10, 11           | PK030540 | 3          |
| M0211021  | 7, 8             | PK030566 | 11         |
| M0215318  | 4, 6, 10, 10, 11 | PK920066 | 6          |
| M0220417  | 6                | PK930070 | 10         |
| M0221523  | 1, 2             | PK930074 | 8          |
| M0221913  | 8                | PK930075 | 8          |
| M0232929  | 7                | PK930086 | 8          |
| M0238859  | 3                | PK930096 | 8          |
| M0253916  | 3                | PK930107 | 8          |
| M0288120  | 7, 9             | PK930173 | 7          |
| M0322202  | 2                | PK930174 | 7          |
| PB020294  | 1                | PK930176 | 7          |
| PB020301  | 1                | PK930194 | 11         |
| PB920201  | 2                | PK930264 | 8          |
| PB970176  | 8, 8             | PK930265 | 8          |
| PB970187  | 2                | PK930266 | 8          |
| PB970188  | 2                | PK930274 | 11         |
| PC010022  | 4                | PK930283 | 7          |
| PC910015  | 1                | PK930293 | 11         |



|           |         |
|-----------|---------|
| PK930297  | 11      |
| PK930308  | 7       |
| PK930327  | 7       |
| PK930348  | 1       |
| PK930369  | 11      |
| PK930401  | 4       |
| PK930403  | 4       |
| PK930410  | 11      |
| PM010540  | 8       |
| PM010616  | 2       |
| PM010619  | 2       |
| PM910190  | 8       |
| PM910194  | 8       |
| PM910227  | 7       |
| PM910231  | 8       |
| PM910287  | 7       |
| PM910334  | 7       |
| PM910375  | 8       |
| PM910411  | 8       |
| PM910435  | 8       |
| V12203602 | 10      |
| V12348201 | 4       |
| a3189370  | 2       |
| b2096961  | 6       |
| f2096507  | 2       |
| f2097740  | 2       |
| g5096494  | 2       |
| m0104106  | 1, 2, 9 |
| m0585504  | 9       |
| pd030118  | 2       |
| pk930404  | 4       |