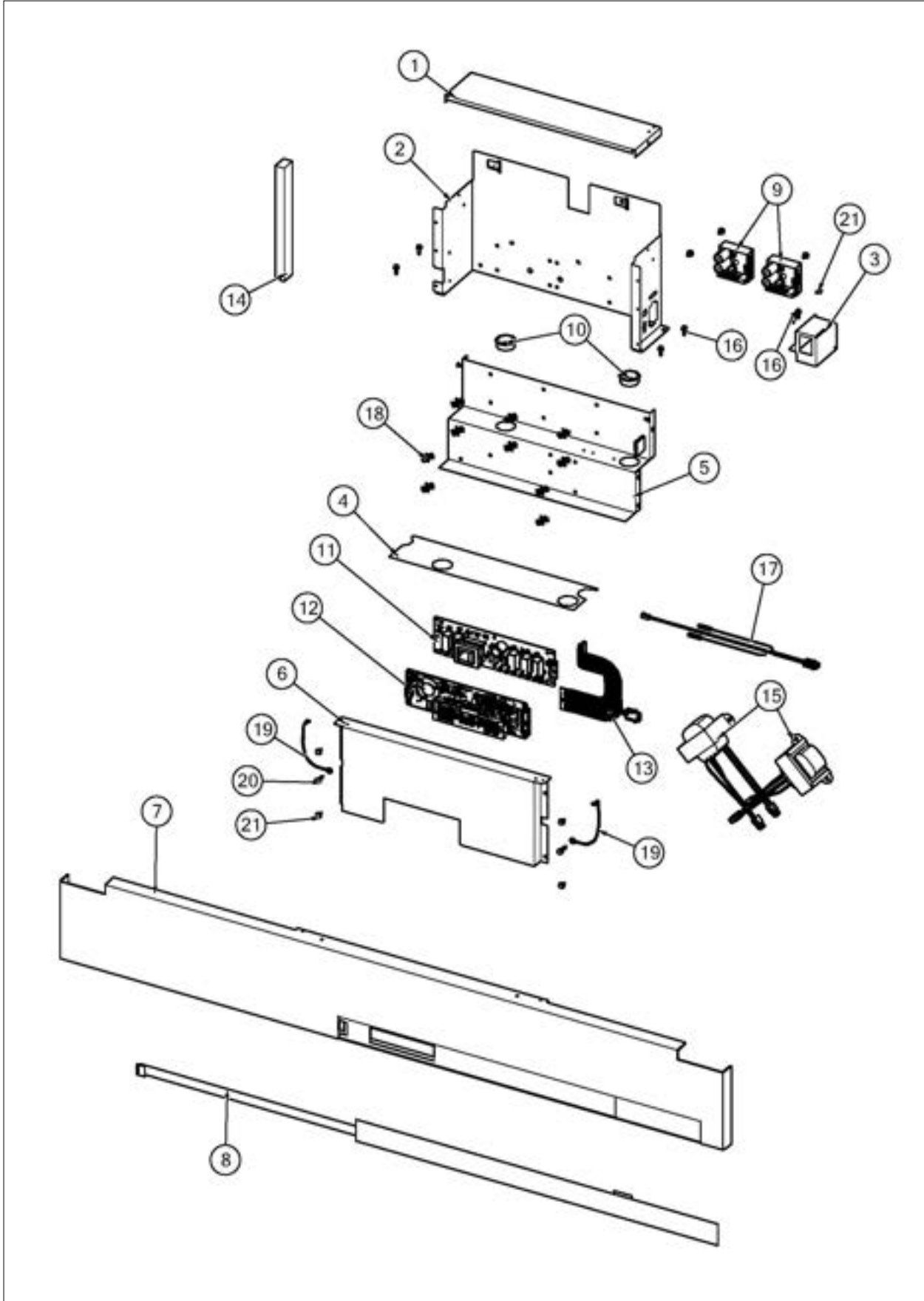


FDSB5483

CONTROL	1
FREEZER INTERIOR	2
FRESH FOOD INTERIOR	3
UNIT TOP	4
UNIT BOTTOM	5
DECOR	6
FREEZER DOOR	7
FRESH FOOD DOOR	8
Appendix A:Pages Index	A
Appendix B:Parts Index	B

CONTROL



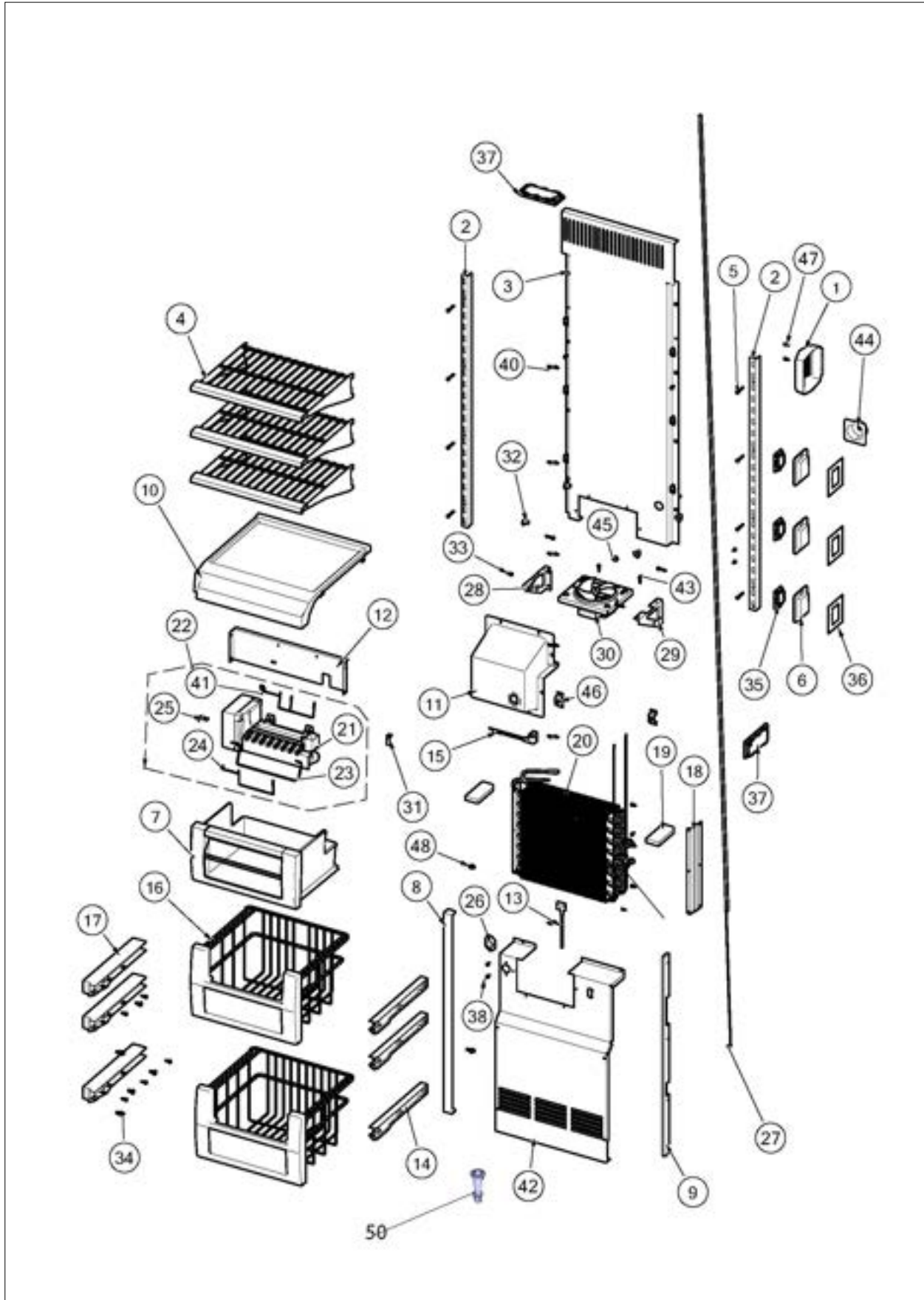


Item	Part No.	Name	Qty	Uom	NOTES
1	K20915000	CONTROL BOX TOP	1	EA	
2	047016-000	MOTOR CONTROL BOX	1	EA	
3	025433-000	BRACKET,SW,POWER	1	EA	
4	005396-000	FILM,PROTECTIVE	1	EA	
5	044479-000	MOTOR BRACKET PCB	1	EA	
6	016930-000	MOTR CONTROL BOX FRONT	1	EA	
7	016593-000	PANEL CONTROL SXS 48	1	EA	
8	054569-000	OVERLAY SWITCH ASM 48 SXS NON-DISP	1	EA	
9	046385-000	CIRCUIT, LED SOFT START	2	EA	
10	A4554817	BUSHING-SNAP VA4554817	2	EA	
11	005319-000	POWER CONTROL BOARD ASM	1	EA	
Comments for Part Num. 005319-000					
boltz on Apr 12, 2018 See TR-0056-SP Bulletin					
12	057309-000	BOARD, LOW VOLTAGE	1	EA	
Comments for Part Num. 057309-000					
gboltz@VikingRange.com on Apr 29, 2019 SEE TTR-0010 for installation					
13	PE970464	HARNESS LOW VOLT	1	EA	
14	A3030361	GASKET RED	1	EA	
15	046386-000	TRANSFORMER, LED SOFT START	2	EA	
16	PD020194	SCR, HEX SRTD WSHR HD, #8- 18 X 1/2	4	EA	
17	PE970609	HARNESS CONTROL BOARD	1	EA	
18	M0585504	SUPPORT	10	EA	
19	12064001	SUPP-CONT PANEL	2	EA	
20	M0238859	SCREW-SHLDR	2	EA	
21	PD020193	SCR 8-18 X 3/8	8	EA	
NI	048643-000	HARNESS, HIGH VOLTAGE	1	EA	
NI	048680-000	HARNESS, POWER SUPPLY, LED, BM/SXS	1	EA	



Item	Part No.	Name	Qty	Uom	NOTES
NI	A3189370	GASKET-FOAM VA3189370	1	EA	

FREEZER INTERIOR



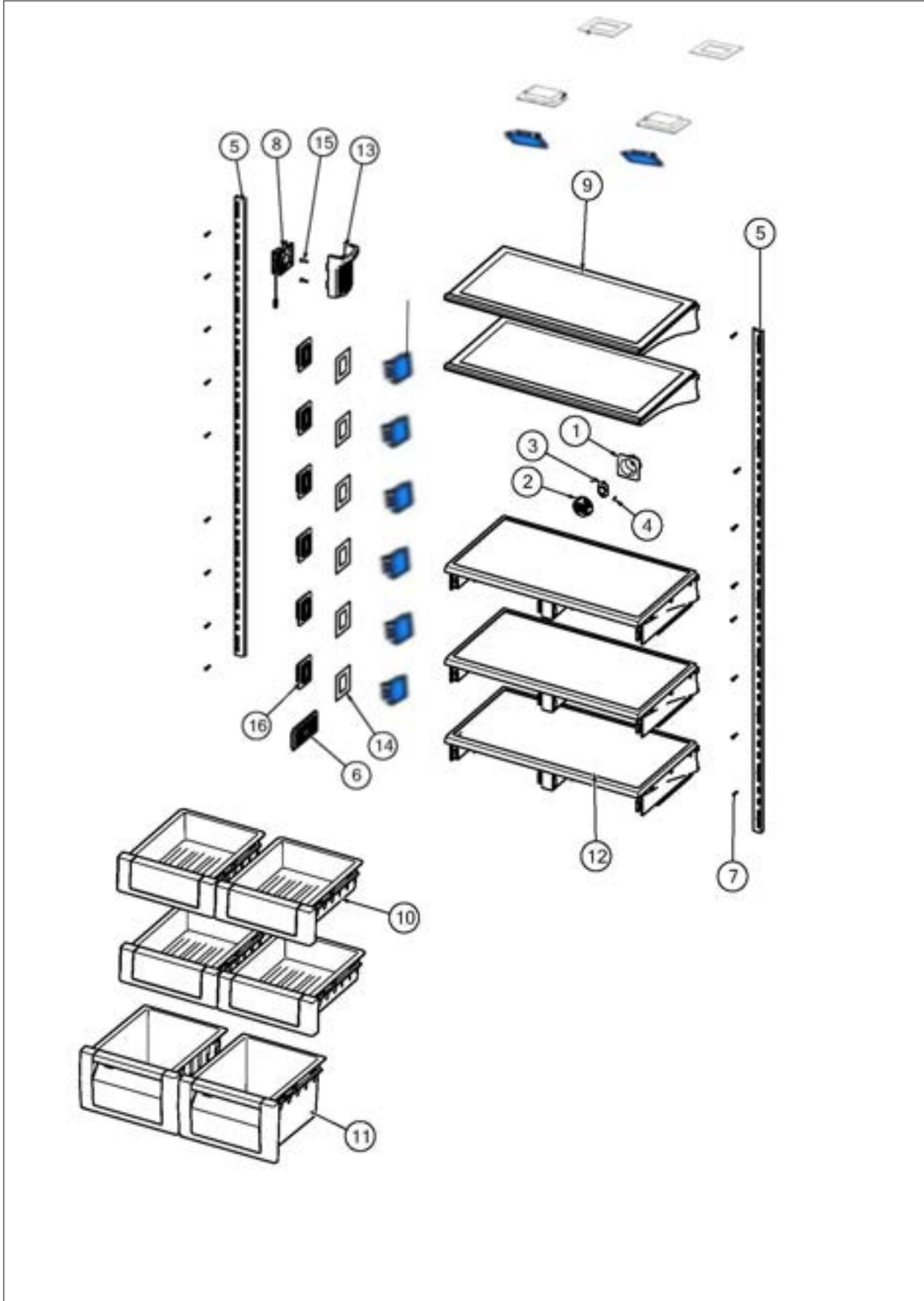


Item	Part No.	Name	Qty	Uom	NOTES
1	053283-000	COVER, FAN, SXS, FREEZER	1	EA	
2	071772-006	LADDER, FZ, L/R SIDE, 42/48	2	EA	
3	L2097181	COVER EVAP UPPER SXS 48	1	EA	
4	PM910411	SHELF WIRE 42/48	3	EA	
5	M0238535	SCREW-SM	8	EA	
6	046358-000	LED CUP ASSY (3) (NON-SERVICEABLE PART)	3	EA	
7	PK930076	ICE PAN ASM SXS 48	1	EA	
8	PK930073	CLOSEOUT SIDE SXS 48 FZ L	1	EA	
9	12304301	CLOSEOUT-FZ SIDE #	1	EA	
10	PK930079	SHELF COVER SXS 48 FZ	1	EA	
11	PK930150	COVER CTR EVAP SXS	1	EA	
12	C2097183	SUPPORT IM ND SXS 48	1	EA	
13	057783-000	EXTENSION, DFR, HEATER, AF 30/36	1	EA	
14	PK930074	GLIDE SXS 48 FZ R	3	EA	
15	058966-000	THERMOSTAT, SNAP ACTION, 55 OPEN 20 CLOSE	1	EA	
16	PM910190	BASKET ASM FZ	2	EA	
17	PK930075	GLIDE SXS 48 FZ L	3	EA	
18	053200-000	BRKT- EVAP COVER 12234801	1	EA	
19	10629001	BLOCK-R AIR COIL RED	2	EA	
20	G50910020	EVAP ASM SXS	1	EA	
21	G50911851	IM ASM, SXS & AF	1	EA	
22	057731-000	ICEMAKER 7SERIES BM, 5 SERIES	1	EA	
NI	023112-000	HARNESS,ICE MAKER	1	EA	
23	002329-000	ARM, IM SHUTOFF	1	EA	
24	007082-000	WIRE, IM SHUTOFF	1	EA	
25	PD030155	CLIP-IM FILL CUP	1	EA	
26	C8983701	THERMISTOR	1	EA	
27	053301-000	HEAT EXCHANGER ASM SXS 48	1	EA	
28	K2096458	BRKT-L-EVAP-FAN 12223102	1	EA	
29	K2096457	BRKT-R-EVAP FAN 12223101	1	EA	



Item	Part No.	Name	Qty	Uom	NOTES
30	G5098660	FAN EVAP ASM PANASONIC	1	EA	
31	10526701	CLAMP-WIRE V10526701	1	EA	
32	12258501	SUPPORT-SHELF	4	EA	
33	M0211021	SCREW-SM	4	EA	
34	PD020195	SCR 8-18 X 5/8	11	EA	
35	042764-000	LED LIGHT, 3-POINT	3	EA	
36	044694-000	LED SHIM, SMALL SINGLE (NON-SERVICEABLE PART)	6	EA	
37	042766-000	LED LIGHT, 8-POINT	2	EA	
38	M0253916	SCR 8-32 SHXW 3/8 TRI-LOBE	2	EA	
39	M0581001	GROMMET-SCREW	9	EA	
40	M0215318	SCREW-SM	16	EA	
41	054453-000	WIRE, IM, SHUTOFF	1	EA	
42	053191-000	COVER EVAP LOWER SXS	1	EA	
43	M0238859	SCREW-SHLDR	4	EA	
44	053258-000	COVER, SXS, WIRES	1	EA	
45	12102501	RET-HARNESS	2	EA	
46	K2096456	BRKT-EVAP CLIP 12215101	2	EA	
47	PD020194	SCR, HEX SRTD WSHR HD, #8- 18 X 1/2	2	EA	
48	M0581001	GROMMET-SCREW	1	EA	
49	PJ910031	HEATER EVAP SXS	1	EA	
NI	A3189370	GASKET-FOAM VA3189370	1	EA	
NI	A3030303	GASKET	1	EA	
NI	A3030361	GASKET RED	2	EA	
NI	A3189348	GASKET-FOAM VA3189348	2	EA	
NI	M0321209	TIE-ELEC	1	EA	
50	PK030540	DRAIN TUBE SXS's & 36BM	1	EA	

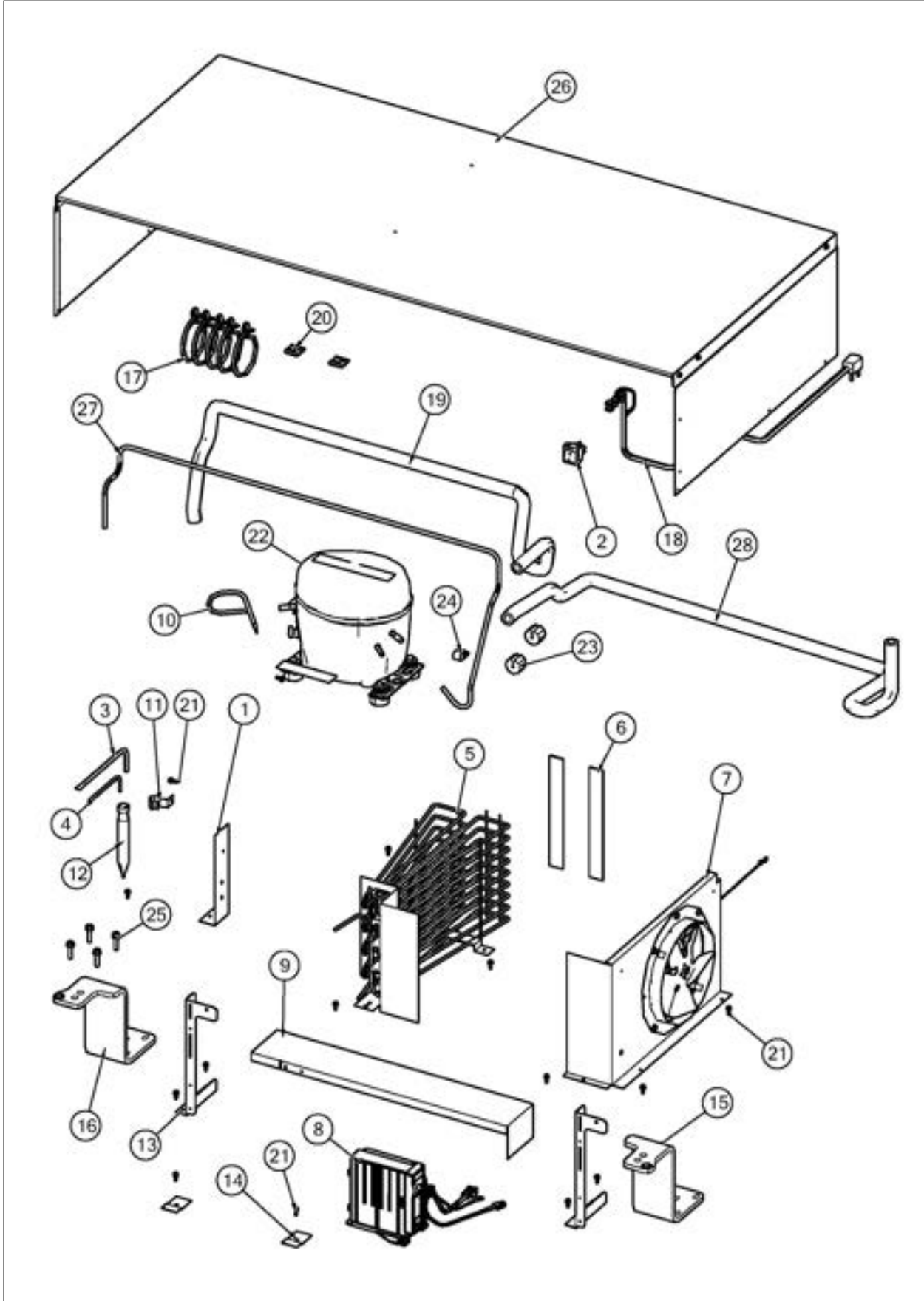
FRESH FOOD INTERIOR





Item	Part No.	Name	Qty	Uom	NOTES
1	053258-000	COVER, SXS, WIRES	1	EA	
2	053248-000	COVER, SXS, THERM	1	EA	
3	C8983701	THERMISTOR	1	EA	
4	M0215318	SCREW-SM	2	EA	
5	071770-006	LADDER, SXS, 42/48	2	EA	
6	053183-000	COVER, FF, SXS	1	EA	
7	013397-000	1" PAINTED LADDER SCREW	20	EA	
8	051008-000	FAN,AXIAL,80X80X25MM 24 VDC	1	EA	
9	042675-000	SHELF, GL, 48" GLASS SHELF ASSY	2	EA	
10	G32911938	DRAWER DELI ASM SXS 48 AR 30	4	EA	
11	012259-000	DRAWER PRODUCE ASM AR 30/48	2	EA	
12	045819-000	SHELF ASM 48 FOL	3	EA	
13	053302-000	COVER, FAN, FF, SXS, 42/48	1	EA	
14	044694-000	LED SHIM, SMALL SINGLE (NON-SERVICEABLE PART)	8	EA	
15	007301-000	GROMMET,RUBBER	2	EA	
16	046358-000	LED CUP ASSY (3) (NON-SERVICEABLE PART)	8	EA	
NI	011059-000	HARNESS, JUMPER	1	EA	
17	042764-000	LED LIGHT, 3-POINT	8	EA	

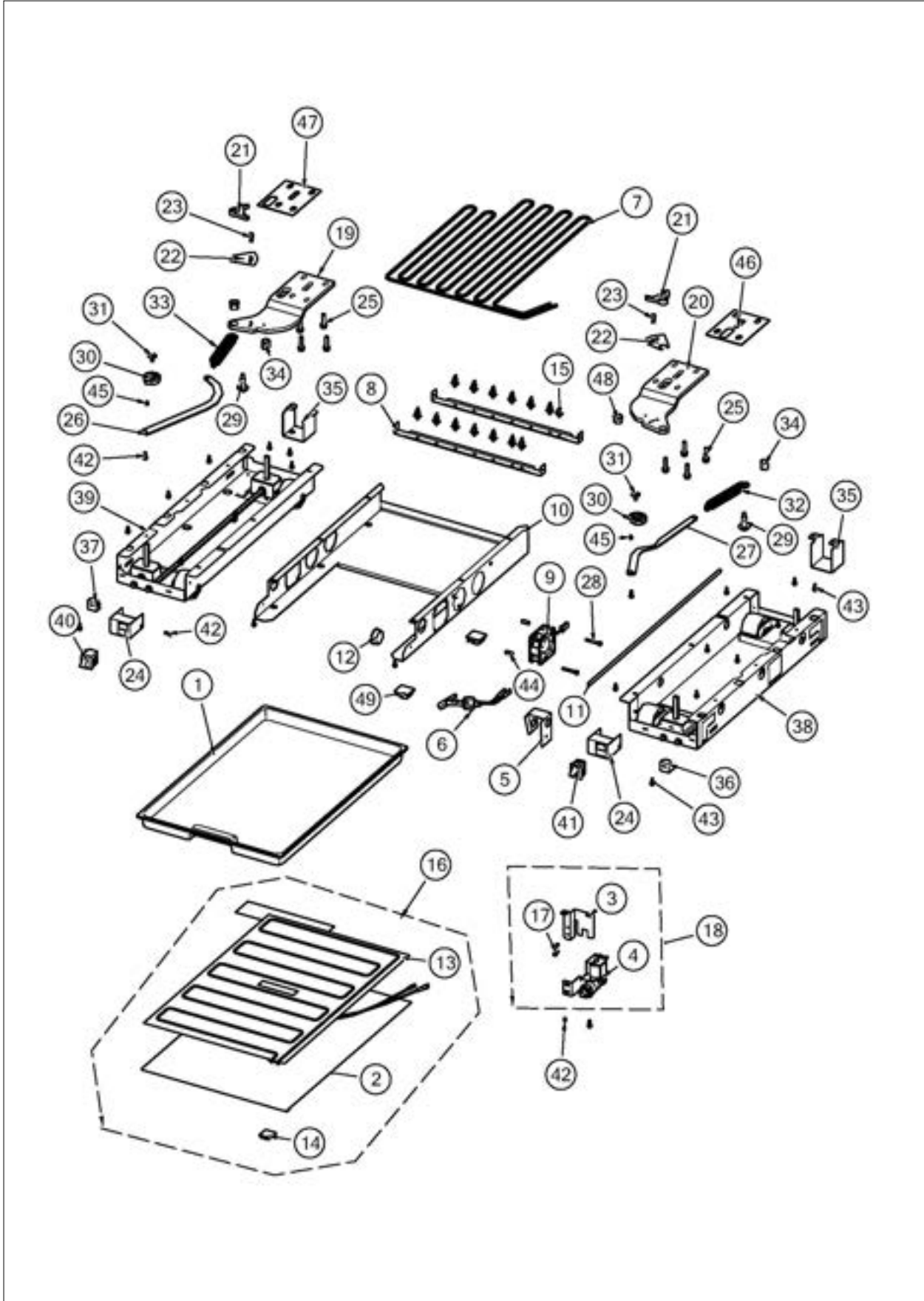
UNIT TOP





Item	Part No.	Name	Qty	Uom	NOTES
1	K2099454	BRACKET DRIER	1	EA	
2	PE950149	SWITCH POWER	1	EA	
3	F2097740	TUBE PROCESS	1	EA	
4	F2096504	TUBE-DRIER EXT	1	EA	
5	068353-000	CONDENSER ASM W/COPPER ENDS	1	EA	
6	A3189370	GASKET-FOAM VA3189370	2	EA	
7	050903-000	CONDENSER FAN ASM	1	EA	
8	050926-000	INVERTER, CMPR, ASM	1	EA	
9	014519-000	DIVERTER AIR HI SIDE SXS	1	EA	
10	F2096507	TUBE-PROCESS GRN	1	EA	
11	10547001	CLIP-DRIER V10547001	1	EA	
12	PM010616	DRIER - HIGH SIDE	1	EA	
13	014190-000	BRACKET, GRILLE SUPPORT	2	EA	
14	K2096943	PANEL BRACKET	2	EA	
15	044359-000	UPPER HINGE ASM, RH	1	EA	
16	044358-000	UPPER HINGE ASM, LH	1	EA	
17	M0322202	TIE-WIRE	6	EA	
18	059105-000	CORD, PWR, BM, LEAD TERMINALS	1	EA	
19	PB970188	INSULATION TUBING 45.000	1	EA	
20	M0104106	CLIP-CORD VM0104106	2	EA	
21	PD020194	SCR, HEX SRTD WSHR HD, #8-18 X 1/2	11	EA	
22	062775-000	VEGD 8H COMPRESSOR	1	EA	
23	10699601	DAMPER-TUBING .8	2	EA	
24	PD030118	INSULATED CLAMP	1	EA	
25	000570-000	FASTENER, BOLT, 1/4-20 IHXWS 1" S ZN SER	8	EA	
26	052700-000	MC COVER ASM BI 48	1	EA	
27	054407-000	TUBING, DISCHARGE	1	EA	
28	PB970187	INSULATION TUBING 57.500 WC, 5 SERIES	1	EA	
NI	043371-000	HARNESS, MC	1	EA	

UNIT BOTTOM



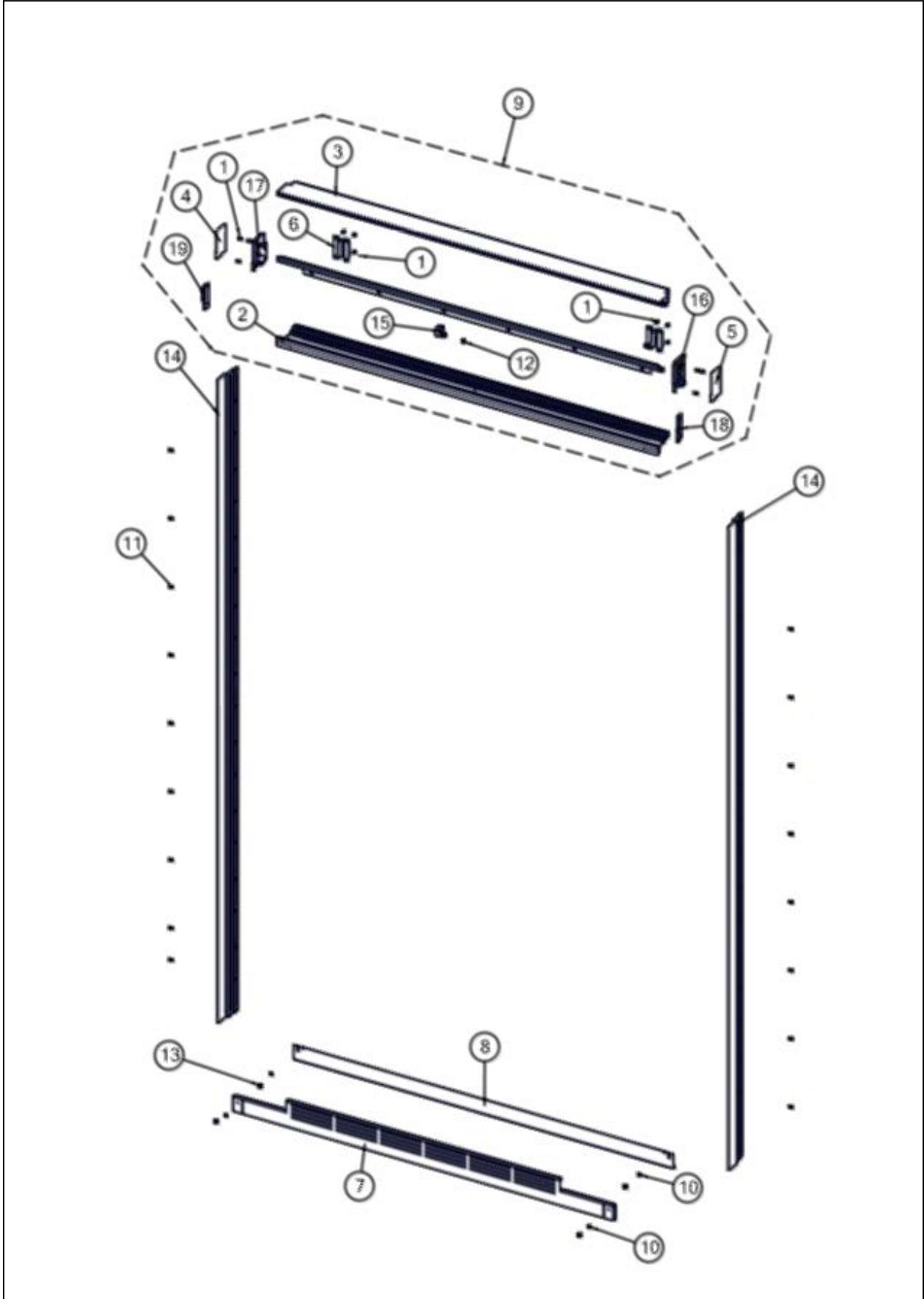


Item	Part No.	Name	Qty	Uom	NOTES
1	PK930348	PAN DRAIN	1	EA	
2	L20914124	TRAY PAN HEATER	1	EA	
3	K20913788	BRKT VALVE H2O SINGLE	1	EA	
4	PA970012	SINGLE WATER VALVE	1	EA	
5	B20915627	BRACKET HORIZ FLOAT SWITCH	1	EA	
6	PE050248	FLOAT SWITCH HORIZONTAL	1	EA	
7	F20915693	SERPENTINE CONDENSER DRAIN ALL SXS'S	1	EA	
8	K20911831	BRACKET CONDENSATE SUPPORT	2	EA	
9	013112-000	AXIAL FAN	1	EA	
10	K20915952	SHIELD BOTTOM DRAIN	1	EA	
11	044034-000	TUBING, ROLL, PEX 1/4"	1	EA	
12	A4554817	BUSHING-SNAP VA4554817	1	EA	
13	G50911853	TRAY PAN HEATER	1	EA	
14	M0104106	CLIP-CORD VM0104106	1	EA	
15	PD030146	STAND OFF LOCK CLIP	14	EA	
16	G50911853	TRAY PAN HEATER	1	EA	
17	M0220417	SCREW-TC	2	EA	
18	G32913789	BRKT & VALVE H2O SNGL ASM	1	EA	
19	044046-000	HINGE PLATE, LH, LWR 30/36AFAR, 42, 48	1	EA	
20	044026-000	HINGE PLATE, RH, LWR 30/36ARAF, 42, 48	1	EA	
21	044372-000	BUSHING, DOOR STOP	2	EA	
22	044511-000	PLATE, DOOR, SHIM	2	EA	
23	044374-000	PIN, DOOR STOP	2	EA	
24	044939-000	BRACKET, LT SWITCH	2	EA	
25	000570-000	FASTENER, BOLT, 1/4-20 IHXWS 1" S ZN SER	8	EA	
26	043258-000	BAR, BOTTOM HINGE, LH, WC	1	EA	
27	043261-000	BAR, BOTTOM HINGE, RH, WC	1	EA	
28	PD020274	SCR SLTD HEX WSHR HD 8X1.250 BT	2	EA	
29	M0221523	SCREW - SHLDR	2	EA	



Item	Part No.	Name	Qty	Uom	NOTES
30	044370-000	CAM DOOR ADJUSTMENT	2	EA	
31	044377-000	WSHR FENDER, .219 X .68 X .030	2	EA	
32	003867-000	SPRING EXTENSION	1	EA	
33	PC910015	SPRING EXTENSION	1	EA	
34	PD940107	ROUND SPRING SPACER	2	EA	
35	053261-000	U CHANNEL	2	EA	
36	K2098044	BRKT GRILLE SUPPORT	1	EA	
37	K2098096	BRKT GRILLE SUPPORT	1	EA	
38	060890-000	LEVELER, MODULE, R	1	EA	
39	060891-000	LEVELER, MODULE, L	1	EA	
40	046062-000	SWITCH, SPDT GRAY	1	EA	
41	046063-000	SWITCH, SPST NC GRAY	1	EA	
42	M0220417	SCREW-TC	6	EA	
43	PD020194	SCR, HEX SRTD WSHR HD, #8- 18 X 1/2	24	EA	
44	011332-000	SPACER,NYL	2	EA	
45	PD940094	BUSHING	2	EA	
46	000537-000	SPACER BOTTOM HINGE LR	1	EA	
47	000538-000	SPACER BOTTOM HINGE LL	1	EA	
48	044373-000	BUSHING, DOOR LEVEL	2	EA	
49	M0104102	CLIP-CORD RED	2	EA	
NI	PM010555	VALVE CONNECTION BAG ASM	1	EA	

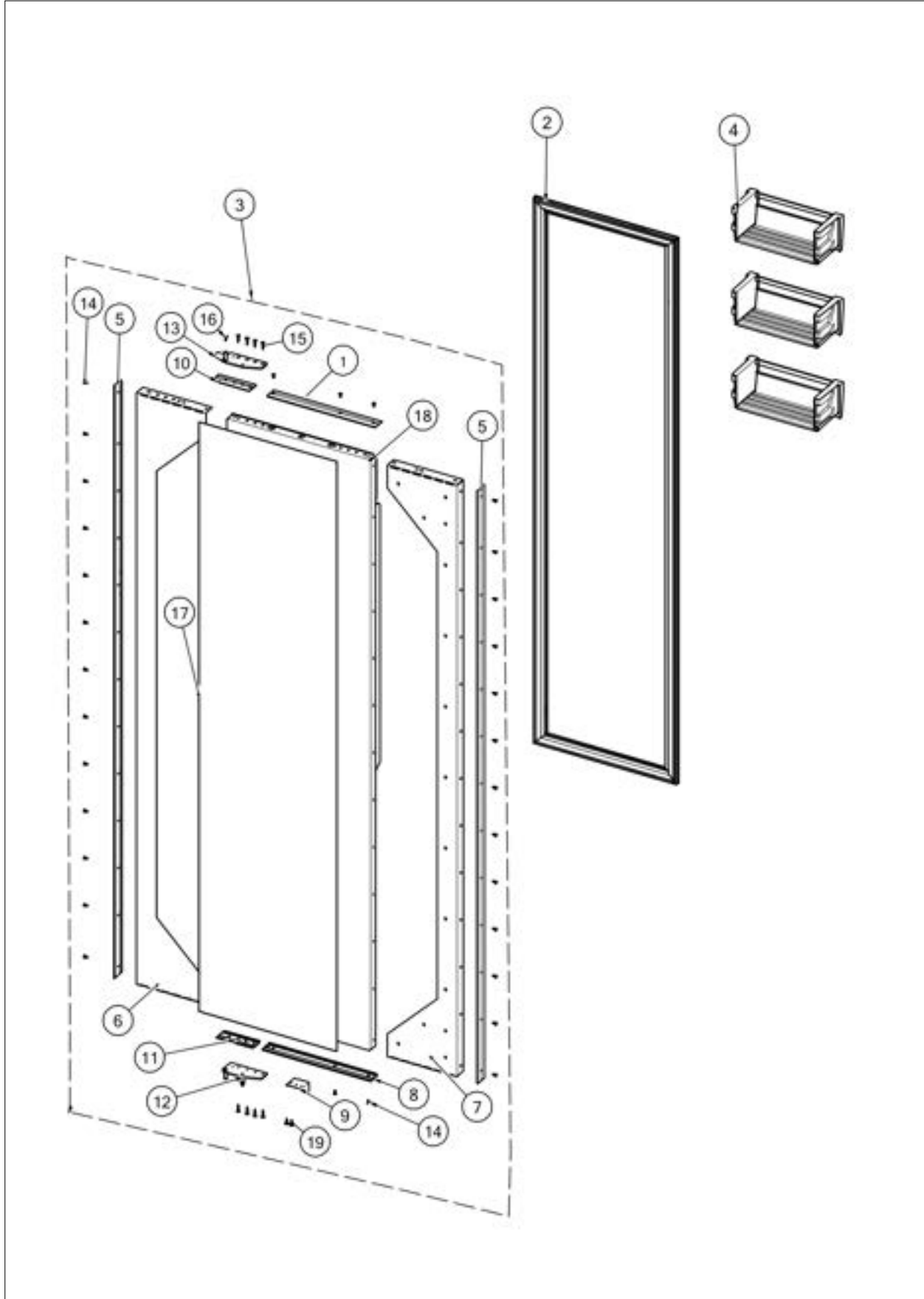
DECOR





Item	Part No.	Name	Qty	Uom	NOTES
1	003004-000	8 - 18 X 1/2 ZN/CLR PHIL FLAT TRIM HD #5 TYPE AB TAPPING SCREW	14	EA	
2	016194-000	GRILLE LOWER SXS 48 DES	1	EA	
3	016197-000	GRILLE UPPER SXS 48 DES	1	EA	
4	033709-000	ENDCAP, GRILLE, L, HINGE	1	EA	
5	033729-000	ENDCAP, GRILLE, R, HINGE	1	EA	
6	042922-000	BRACKET GRILLE	2	EA	
7	045011-000	VENT, TOE, GRILLE, 48 SXS	1	EA	
8	045012-000	SOLID, TOE, GRILLE, 48 SXS	1	EA	
9	054021-000	GRILLE, ASM, 48 SXS, FOL	1	EA	
10	40370P01	WASHER, FLAT	4	EA	
11	M0215318	SCREW-SM	17	EA	
12	M0230028	SCREW-TC	1	EA	
13	PD020032	SRW-8(A)X3/8"PH.WFR HD 7/16DIA*NICL	2	EA	
14	PK920066	TRIM, EXTRU, SIDE DES	2	EA	
15	PM910084	SUPPORT GRILLE 12201201	1	EA	
16	PM910348	ENP CAP GRILLE R	1	EA	
17	PM910349	END CAP GRILLE L	1	EA	
18	K2099470	BRACKET GRILLE SUPPORT R	1	EA	
19	K2099471	BRACKET GRILLE SUPPORT L	1	EA	

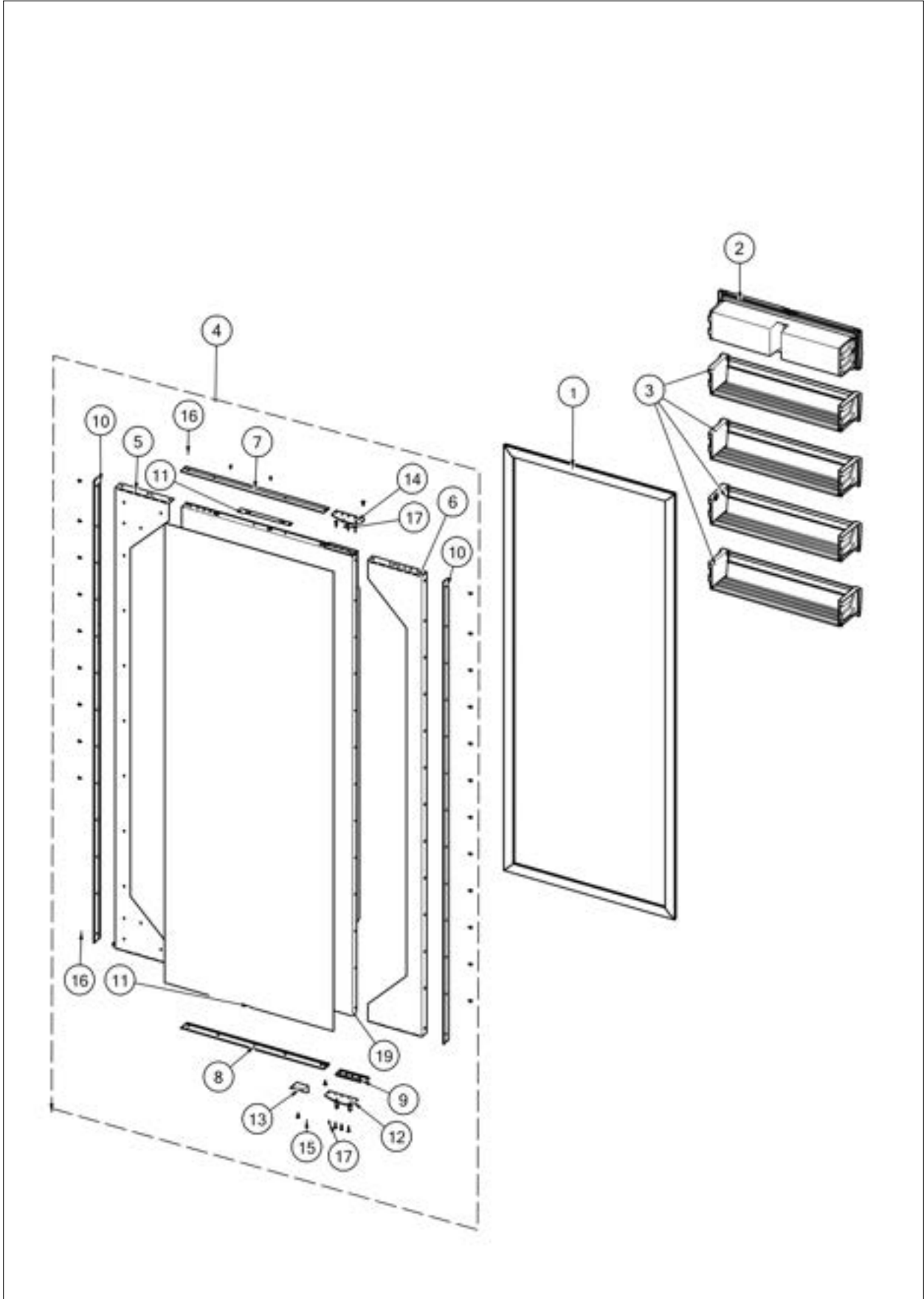
FREEZER DOOR





Item	Part No.	Name	Qty	Uom	NOTES
1	002301-000	EXTRUSION,FOL,TOP,48 SXS FZ	1	EA	
2	005455-000	GASKET,ASM,48,SXS,FZ VID# 602711917-17	1	EA	
3	054020-000	DOOR ASM COMPLETE SXS 48 FOL FZ	1	EA	Not available online / Call for pricing and availability
4	036888-000	DOORBIN ASM SXS FZ	3	EA	
5	000953-000	EXTRUSION,FOL,SIDE	2	EA	
6	007377-000	BRACKET,SIDE,HINGE,FULL OVERLAY	1	EA	
7	000950-000	BRACKET,PNL,FULL OVERLAY	1	EA	
8	004501-000	EXTRUSION,FOL,BOT,48 FZ	1	EA	
9	044314-000	STRIKER, DOOR SWITCH	1	EA	
10	034903-000	EXTRUSION, FOL, PIVOT PLATE SPACER, LEFT	1	EA	
11	034902-000	EXTRUSION, FOL, PIVOT PLATE SPACER, RIGHT	1	EA	
12	044507-000	PIVOT PLATE, LOWER, LH FOL	1	EA	
13	044506-000	PIVOT PLATE, UPPER, LH FOL	1	EA	
14	M0215318	SCREW-SM	31	EA	
15	PD920174	10X7/8 PHILLIPS SMA TRI LOBE SA	8	EA	
16	PD020234	SCREW THP 10-32 X .500 SS BO	1	EA	
17	003620-000	SHEET,FOAM,42/48 FZ	1	EA	
18	052756-000	DOOR FOAM ASM SXS 48 FZ	1	EA	
19	M0210458	SCR 8-18 X 5/8 WAFER PH SMS	2	EA	
NI	006908-000	BRACKET,FOL,Z	1	EA	
NI	002999-000	COVER, SCR, RBR, GRAY FOL SXS	1	EA	

FRESH FOOD DOOR





Item	Part No.	Name	Qty	Uom	NOTES
1	005454-000	GASKET, ASM, 48, SXS, FF	1	EA	
2	V12203602	DAIRY MODULE ASSY #	1	EA	
3	036886-000	DOORBIN ASM SXS 48 FF	4	EA	
4	054019-000	DOOR ASM COMPLETE SXS 48 FOL FF	1	EA	Not available online / Call for pricing and availability
5	000950-000	BRACKET,PNL,FULL OVERLAY	1	EA	
6	007377-000	BRACKET,SIDE,HINGE,FULL OVERLAY	1	EA	
7	002297-000	EXTRUSION,FOL, TOP,48 SXS FF	1	EA	
8	004500-000	EXTRUSION,FOL,BOT,48 FF	1	EA	
9	034903-000	EXTRUSION, FOL, PIVOT PLATE SPACER, LEFT	1	EA	
10	000953-000	EXTRUSION,FOL,SIDE	2	EA	
11	008399-000	SPACER,36,30,48FF,FOL	2	EA	
12	044508-000	PIVOT PLATE, LOWER, RH FOL	1	EA	
13	044314-000	STRIKER, DOOR SWITCH	1	EA	
14	044505-000	PIVOT PLATE, UPPER, RH FOL	1	EA	
15	M0210458	SCR 8-18 X 5/8 WAFER PH SMS	2	EA	
16	M0215318	SCREW-SM	35	EA	
17	PD920174	10X7/8 PHILLIPS SMA TRI LOBE SA	8	EA	
18	003621-000	SHEET,FOAM,30 AF/AR, 48 FF	1	EA	
19	052655-000	DOOR FOAM ASM SXS 48 FF	1	EA	
NI	006908-000	BRACKET,FOL,Z	1	EA	
NI	002999-000	COVER, SCR, RBR, GRAY FOL SXS	1	EA	



Appendix A:Pages Index

CONTROL 1
DECOR 6
FREEZER DOOR 7
FREEZER INTERIOR 2
FRESH FOOD DOOR 8
FRESH FOOD INTERIOR 3
UNIT BOTTOM 5
UNIT TOP 4



Appendix B:Parts Index

000537-000	5	034903-000	7, 8
000538-000	5	036886-000	8
000570-000	4, 5	036888-000	7
000950-000	7, 8	042675-000	3
000953-000	7, 8	042764-000	2, 3
002297-000	8	042766-000	2
002301-000	7	042922-000	6
002329-000	2	043258-000	5
002999-000	7, 8	043261-000	5
003004-000	6	043371-000	4
003620-000	7	044026-000	5
003621-000	8	044034-000	5
003867-000	5	044046-000	5
004500-000	8	044314-000	7, 8
004501-000	7	044358-000	4
005319-000	1	044359-000	4
005396-000	1	044370-000	5
005454-000	8	044372-000	5
005455-000	7	044373-000	5
006908-000	7, 8	044374-000	5
007082-000	2	044377-000	5
007301-000	3	044479-000	1
007377-000	7, 8	044505-000	8
008399-000	8	044506-000	7
011059-000	3	044507-000	7
011332-000	5	044508-000	8
012259-000	3	044511-000	5
013112-000	5	044694-000	2, 3
013397-000	3	044939-000	5
014190-000	4	045011-000	6
014519-000	4	045012-000	6
016194-000	6	045819-000	3
016197-000	6	046062-000	5
016593-000	1	046063-000	5
016930-000	1	046358-000	2, 3
023112-000	2	046385-000	1
025433-000	1	046386-000	1
033709-000	6	047016-000	1
033729-000	6	048643-000	1
034902-000	7	048680-000	1
		050903-000	4



050926-000	4	A3030361	1, 2
051008-000	3	A3189348	2
052655-000	8	A3189370	1, 2, 4
052700-000	4	A4554817	1, 5
052756-000	7	B20915627	5
053183-000	3	C2097183	2
053191-000	2	C8983701	2, 3
053200-000	2	F20915693	5
053248-000	3	F2096504	4
053258-000	2, 3	F2096507	4
053261-000	5	F2097740	4
053283-000	2	G32911938	3
053301-000	2	G32913789	5
053302-000	3	G50910020	2
054019-000	8	G50911851	2
054020-000	7	G50911853	5, 5
054021-000	6	G5098660	2
054407-000	4	K20911831	5
054453-000	2	K20913788	5
054569-000	1	K20915000	1
057309-000	1	K20915952	5
057731-000	2	K2096456	2
057783-000	2	K2096457	2
058966-000	2	K2096458	2
059105-000	4	K2096943	4
060890-000	5	K2098044	5
060891-000	5	K2098096	5
062775-000	4	K2099454	4
068353-000	4	K2099470	6
071770-006	3	K2099471	6
071772-006	2	L20914124	5
10526701	2	L2097181	2
10547001	4	M0104102	5
10629001	2	M0104106	4, 5
10699601	4	M0210458	7, 8
12064001	1	M0211021	2
12102501	2	M0215318	2, 3, 6, 7, 8
12258501	2	M0220417	5, 5
12304301	2	M0221523	5
40370P01	6	M0230028	6
A3030303	2	M0238535	2



M0238859	1, 2	PM910349	6
M0253916	2	PM910411	2
M0321209	2	V12203602	8
M0322202	4		
M0581001	2, 2		
M0585504	1		
PA970012	5		
PB970187	4		
PB970188	4		
PC910015	5		
PD020032	6		
PD020193	1		
PD020194	1, 2, 4, 5		
PD020195	2		
PD020234	7		
PD020274	5		
PD030118	4		
PD030146	5		
PD030155	2		
PD920174	7, 8		
PD940094	5		
PD940107	5		
PE050248	5		
PE950149	4		
PE970464	1		
PE970609	1		
PJ910031	2		
PK030540	2		
PK920066	6		
PK930073	2		
PK930074	2		
PK930075	2		
PK930076	2		
PK930079	2		
PK930150	2		
PK930348	5		
PM010555	5		
PM010616	4		
PM910084	6		
PM910190	2		
PM910348	6		