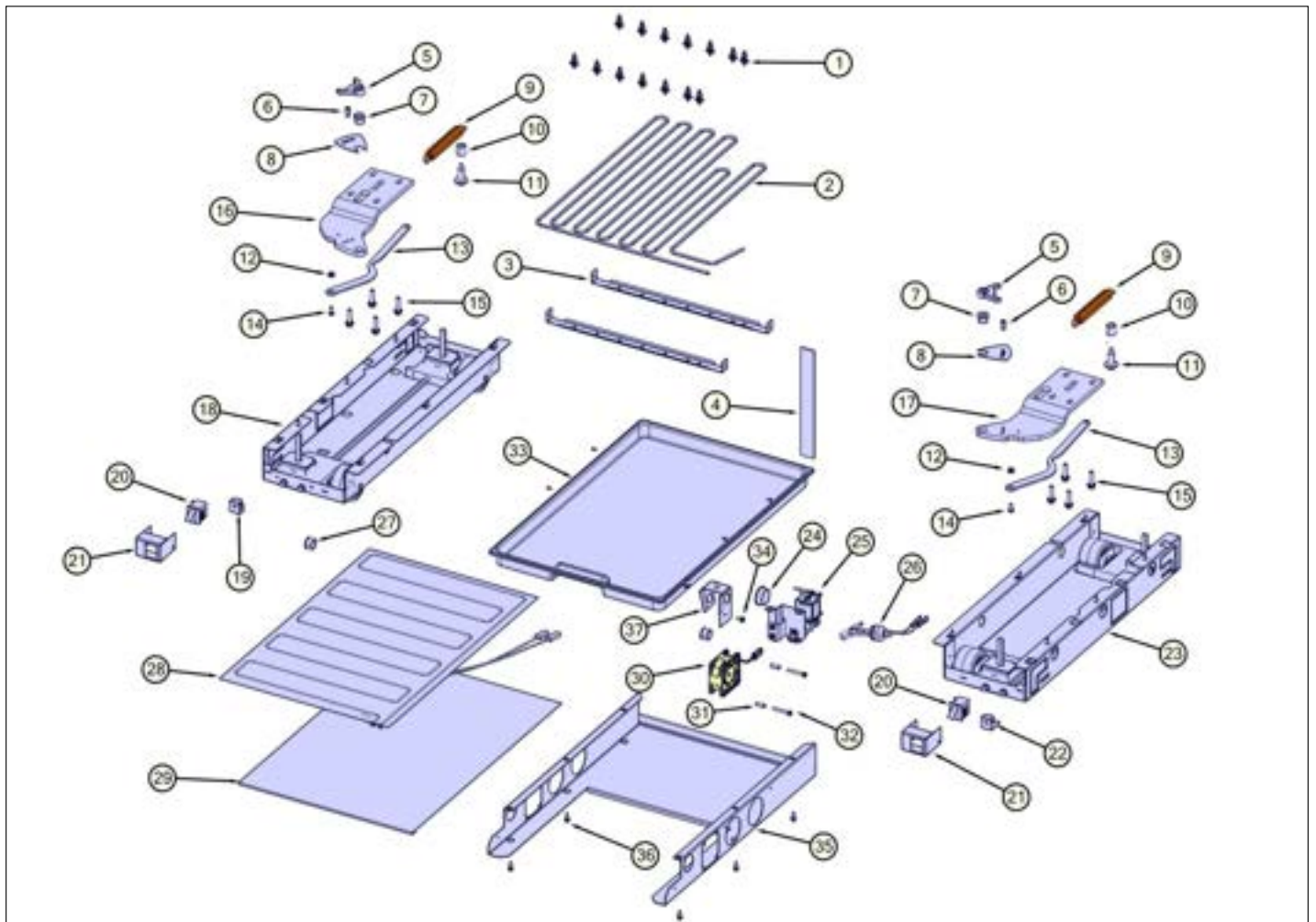


FDSB548310

Bottom View	1
Top View	2
Lo Side Asm View	3
Freezer Interior Shelving View	4
Control View	5
Fresh Food Interior Shelving View	6
Decor View	7
Fresh Food Door View	8
Freezer Door View	9
Appendix A:Pages Index	A
Appendix B:Parts Index	B

Bottom View



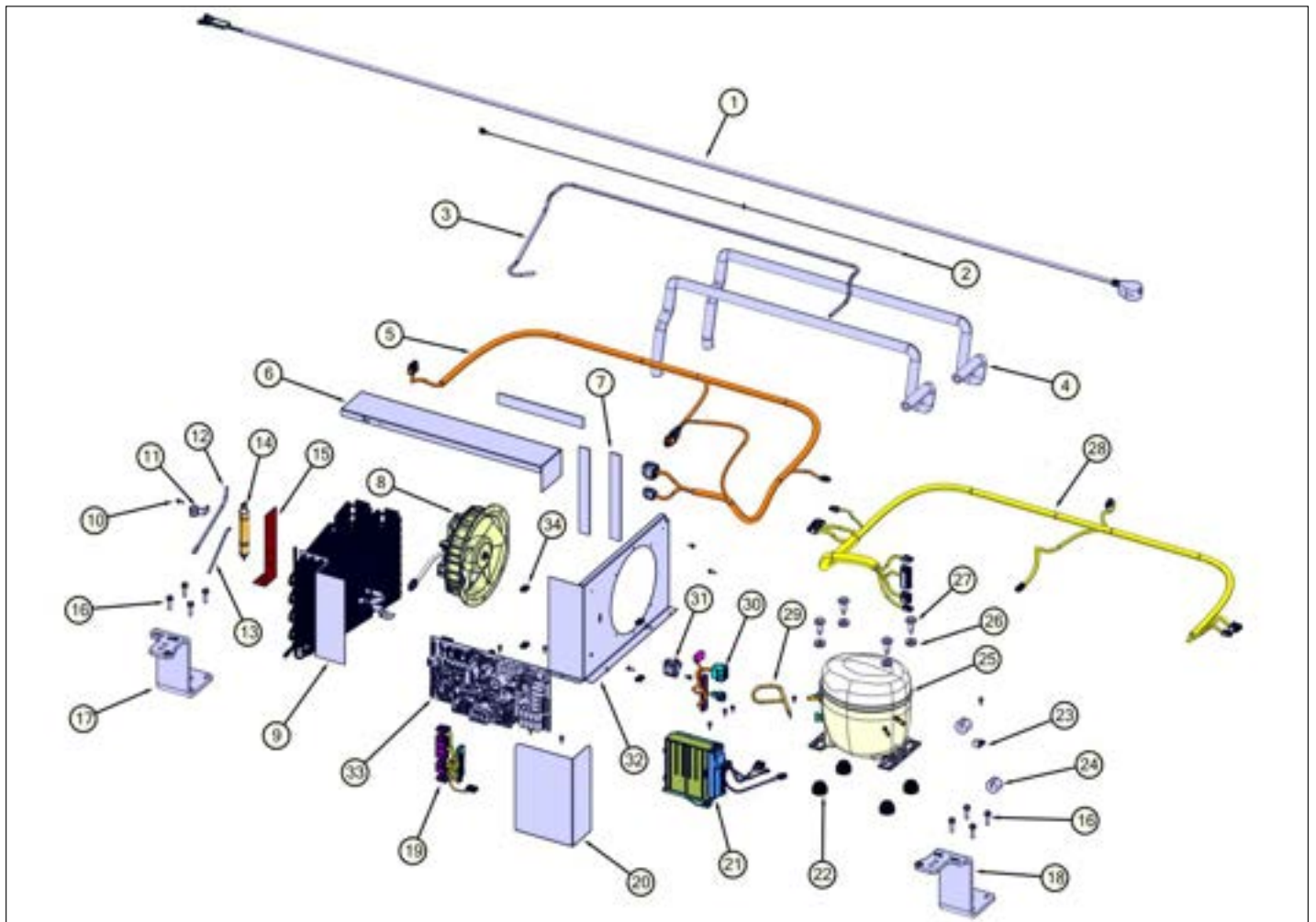


Item	Part No.	Name	Qty	Uom	NOTES
1	PD030146	STAND OFF LOCK CLIP	14	EA	
2	f20915696	SERPENTINE CONDENSER DRAIN	1	EA	
3	K20911831	BRACKET CONDENSATE SUPPORT	2	EA	
4	a3189370	GASKET-FOAM VA3189370	1	EA	
5	044372-000	BUSHING, DOOR STOP	2	EA	
6	044374-000	PIN, DOOR STOP	2	EA	
7	044373-000	BUSHING, DOOR LEVEL	2	EA	
8	044511-000	PLATE, DOOR, SHIM	2	EA	
9	003867-000	SPRING EXTENSION	2	EA	
10	PD940107	ROUND SPRING SPACER	2	EA	
11	M0221523	SCREW - SHLDR	2	EA	
12	PD940094	BUSHING	2	EA	
13	043261-000	BAR, BOTTOM HINGE, RH, WC	2	EA	
14	M0220417	SCREW-TC	2	EA	
15	000570-000	FASTENER, BOLT, 1/4-20 IHXWS 1" S ZN SER	8	EA	
16	044026-000	HINGE PLATE, RH, LWR 30/36ARAF, 42, 48	1	EA	
17	044046-000	HINGE PLATE, LH, LWR 30/36AFAR, 42, 48	1	EA	
18	060891-000	LEVELER, MODULE, L	1	EA	
19	K2098096	BRKT GRILLE SUPPORT	1	EA	
20	068015-000	SWITCH, SPDT, GREY	2	EA	
21	044939-000	BRACKET, LT SWITCH	2	EA	
22	K2098044	BRKT GRILLE SUPPORT	1	EA	
23	060890-000	LEVELER, MODULE, R	1	EA	
24	A4554817	BUSHING-SNAP VA4554817	1	EA	
25	G32913789	BRKT & VALVE H2O SNGL ASM	1	EA	
26	PE050248	FLOAT SWITCH HORIZONTAL	1	EA	
27	A4554806	BUSHING-SNAP VA4554806	2	EA	
28	071583-000	HEATER, PAN ASSY	1	EA	
29	L20914124	TRAY PAN HEATER	1	EA	
30	071038-000	AXIAL FAN, PAN, DRAIN	1	EA	



Item	Part No.	Name	Qty	Uom	NOTES
31	011332-000	SPACER,NYL	2	EA	
32	PD020274	SCR SLTD HEX WSHR HD 8X1.250 BT	2	EA	
33	PK930348	PAN DRAIN	1	EA	
34	M0253916	SCR 8-32 SHXW 3/8 TRI-LOBE	1	EA	
35	K20915952	SHIELD BOTTOM DRAIN	1	EA	
36	PD020194	SCR, HEX SRTD WSHR HD, #8- 18 X 1/2	6	EA	
37	073959-000	BRACKET, DRAIN, POST	1	EA	

Top View



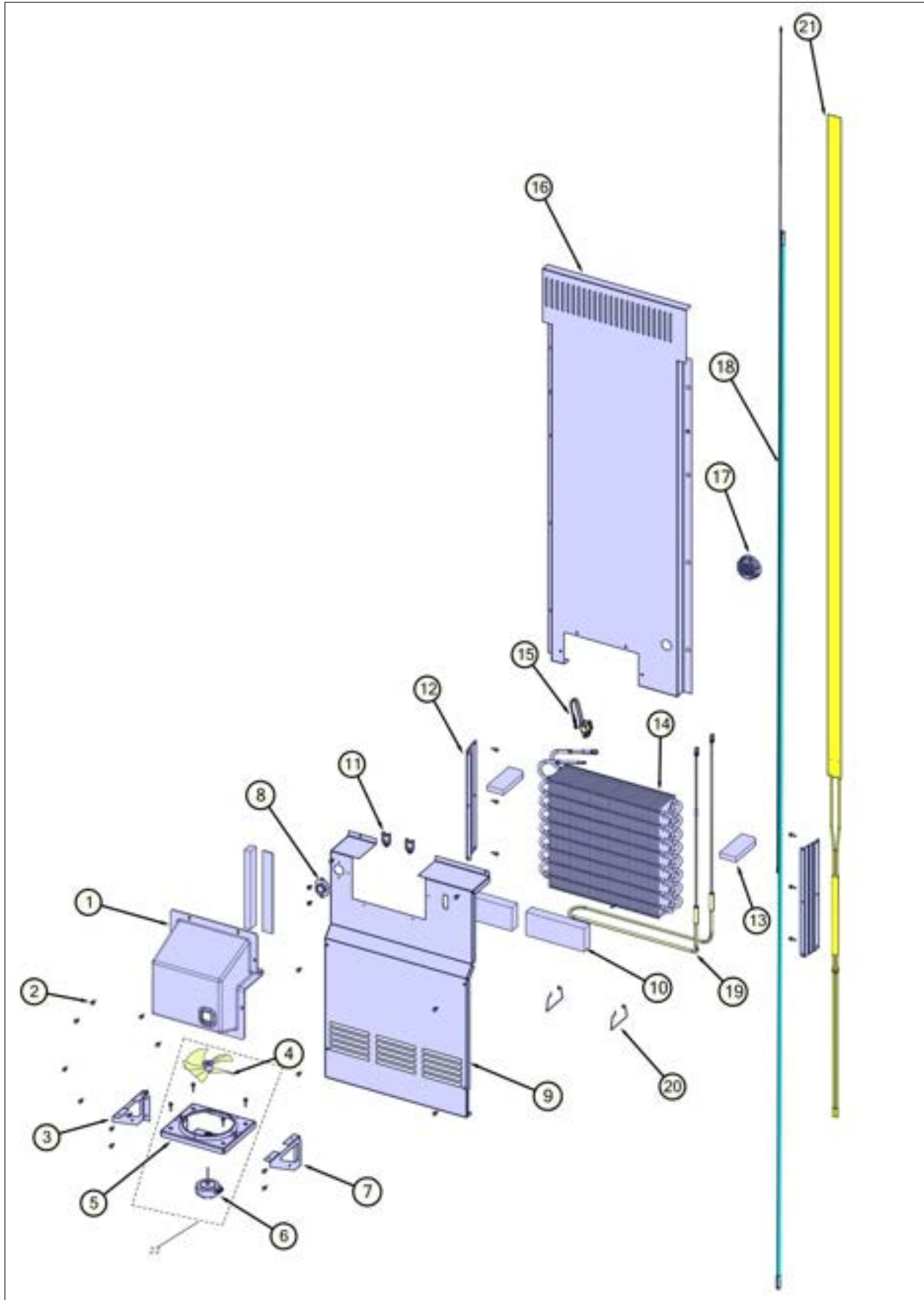


Item	Part No.	Name	Qty	Uom	NOTES
1	059105-000	CORD, PWR, BM, LEAD TERMINALS	1	EA	
2	070656-000	HARNESS, USB CONNECTOR, P18 TYPE, S-55902	1	EA	
3	054407-000	TUBING, DISCHARGE	1	EA	
4	PB970187	INSULATION TUBING 57.500 WC, 5 SERIES	2	EA	
5	071754-000	HARN, VCSB5423/5483, SXS, MC, AC	1	EA	
6	014519-000	DIVERter AIR HI SIDE SXS	1	EA	
7	a3189370	GASKET-FOAM VA3189370	2	EA	
8	067842-000	FAN, CNDR, 12VDC	1	EA	
9	068353-000	CONDENSER ASM W/COPPER ENDS	1	EA	
10	PD020194	SCR, HEX SRTD WSHR HD, #8- 18 X 1/2	2	EA	
11	10547001	CLIP-DRIER V10547001	1	EA	
12	f2097740	TUBE PROCESS	1	EA	
13	F2096504	TUBE-DRIER EXT	1	EA	
14	072758-000	DRIER, HIGH SIDE	1	EA	
15	K2099454	BRACKET DRIER	1	EA	
16	000570-000	FASTENER, BOLT, 1/4-20 IHXWS 1" S ZN SER	8	EA	
17	044359-000	UPPER HINGE ASM, RH	1	EA	
18	044358-000	UPPER HINGE ASM, LH	1	EA	
19	071755-000	HARN, VCSB5423/5483, SXS MC, DC, PNL MNTG	1	EA	
20	053063-000	AIR DIVERter BRACKET	1	EA	
21	050926-000	INVERTER, CMPR, ASM	1	EA	
22	10835901	GROMMET RUBBER V10835901	4	EA	
23	pd030118	INSULATED CLAMP	1	EA	
24	10699601	DAMPER-TUBING .8	2	EA	
25	062775-000	VEGD 8H COMPRESSOR	1	EA	
26	PM910276	GROMMET FAN MOTOR	8	EA	
27	M0221523	SCREW - SHLDR	4	EA	
28	071752-000	HARN, MC, DC, VCSB5423/5483	1	EA	



Item	Part No.	Name	Qty	Uom	NOTES
29	f2096507	TUBE-PROCESS GRN	1	EA	
30	071756-000	HARN, VCSB5423/5483, SXS MC, AC, PNL MNTG	1	EA	
31	PE950149	SWITCH POWER	1	EA	
32	070896-000	ASM, CONDENSER, FAN, SHROUD	1	EA	
33	060128-501	CONTROL, MAIN, PCB, 5 SERIES	1	EA	
34	m0585504	SUPPORT	4	EA	

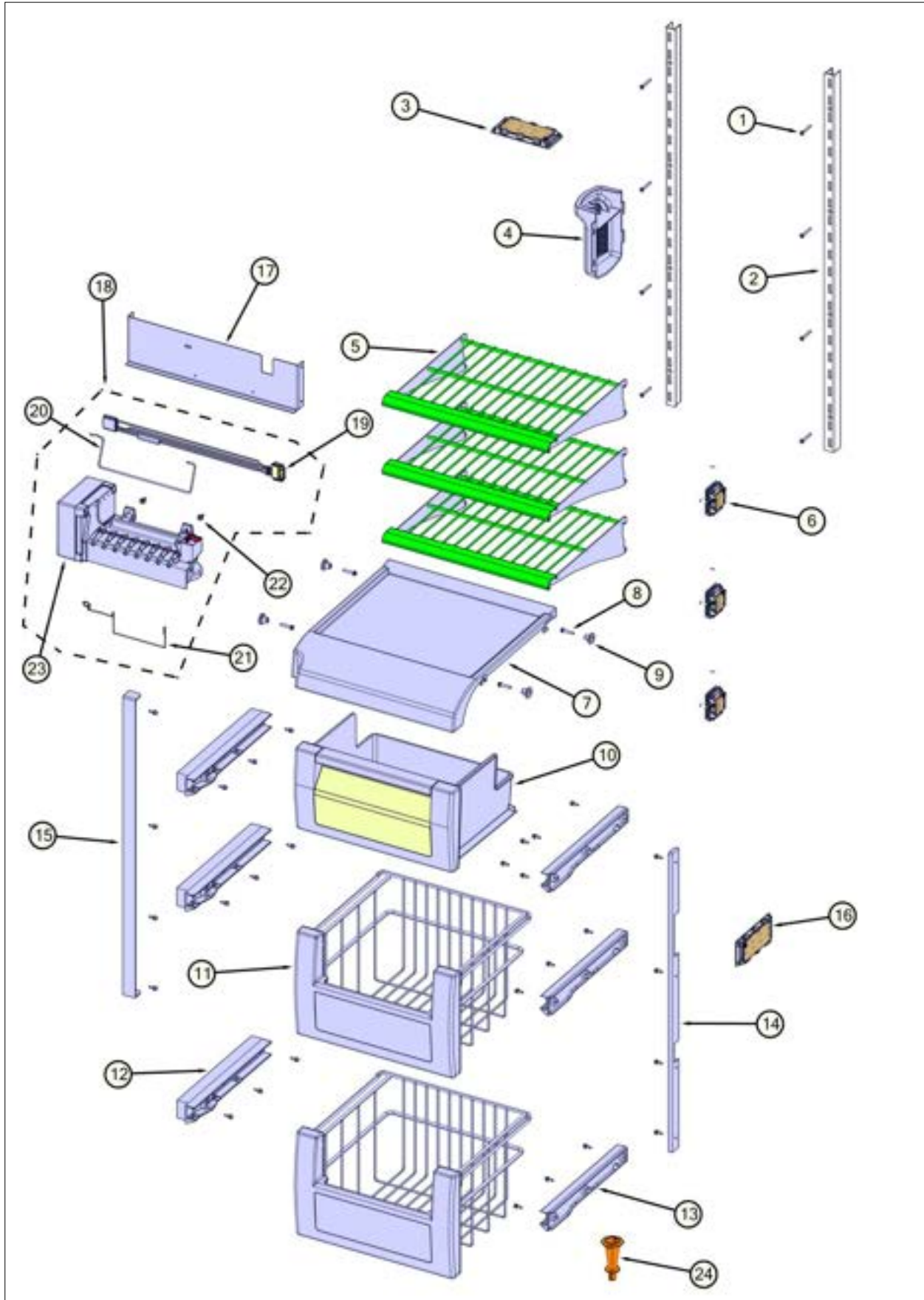
Lo Side Asm View





Item	Part No.	Name	Qty	Uom	NOTES
1	PK930150	COVER CTR EVAP SXS	1	EA	
2	PD020194	SCR, HEX SRTD WSHR HD, #8-18 X 1/2	27	EA	
3	K2096458	BRKT-L-EVAP-FAN 12223102	1	EA	
4	10855402	FAN-EVAP/4.330	1	EA	
5	070895-000	ASM, EVAP, FAN	1	EA	
6	076520-000	FAN, MOTOR, CCW, 12 VDC-FDQB28VK4	1	EA	
7	K2096457	BRKT-R-EVAP FAN 12223101	1	EA	
8	C8983701	THERMISTOR	2	EA	
9	053191-000	COVER EVAP LOWER SXS	1	EA	
10	024306-000	BLOCK,FOAM,R,AR,36	2	EA	
11	045548-000	CLIP, ROUTING, WIRE	4	EA	
12	053200-000	BRKT- EVAP COVER 12234801	2	EA	
13	10629001	BLOCK-R AIR COIL RED	2	EA	
14	PM910206	EVAPORATOR SXS 48	1	EA	
15	058966-000	THERMOSTAT, SNAP ACTION, 55 OPEN 20 CLOSE	1	EA	
16	L2097181	COVER EVAP UPPER SXS 48	1	EA	
17	053248-000	COVER, SXS, THERM	1	EA	
18	053301-000	HEAT EXCHANGER ASM SXS 48	1	EA	
19	071561-000	HEATER, EVAP, ASSY	1	EA	
20	10428101	CLIP-EVAP HTR V10428101	2	EA	
21	071586-000	HEATER. MLLN, SXS	1	EA	
22	077047-000	ASM, EVAP, FAN SERVICE	1	EA	

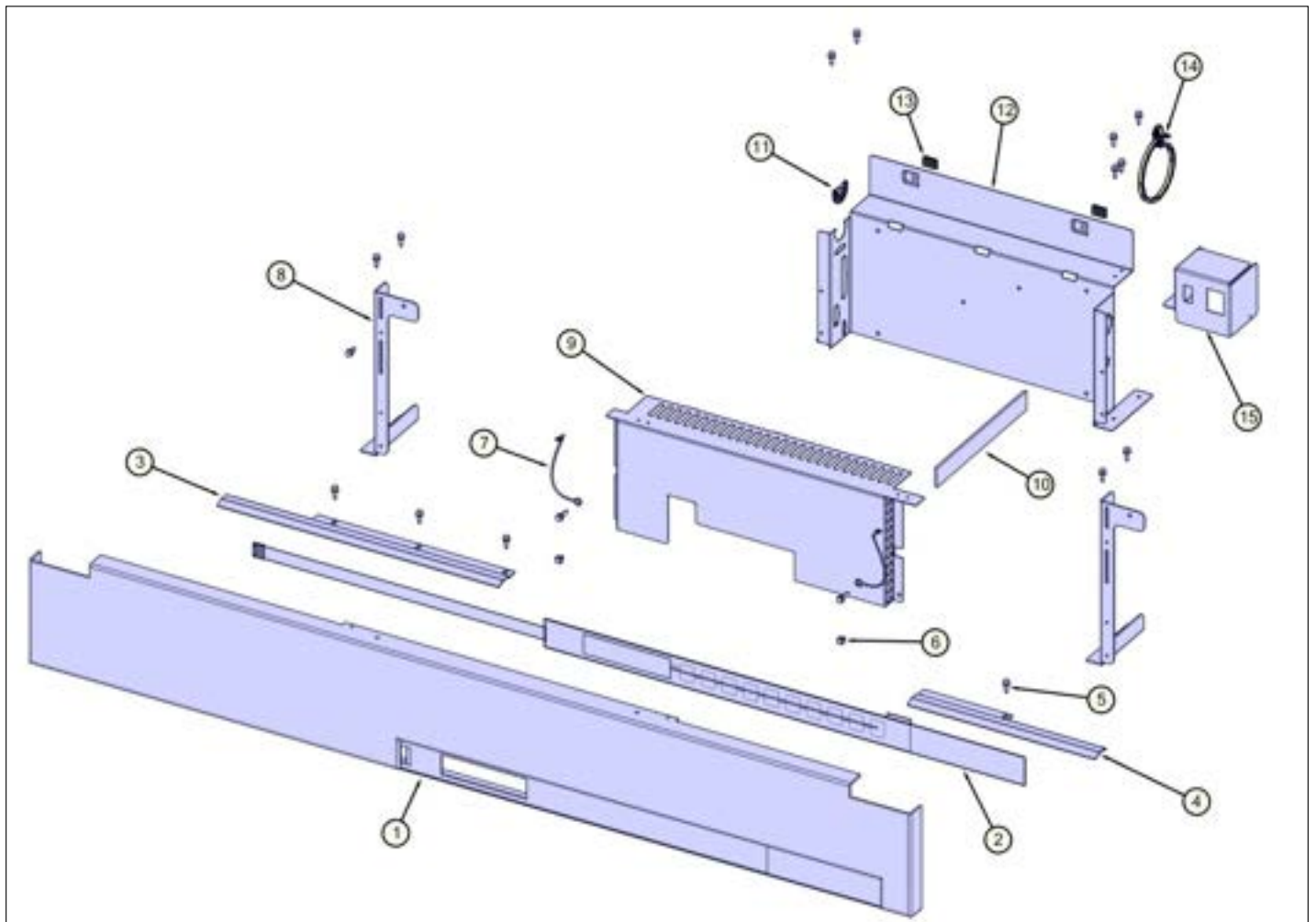
Freezer Interior Shelving View





Item	Part No.	Name	Qty	Uom	NOTES
1	M0238535	SCREW-SM	8	EA	
2	071772-006	LADDER, FZ, L/R SIDE, 42/48	2	EA	
3	042766-000	LED LIGHT, 8-POINT	2	EA	
4	053302-000	COVER, FAN, FF, SXS, 42/48	1	EA	
5	PM910411	SHELF WIRE 42/48	3	EA	
6	042764-000	LED LIGHT, 3-POINT	11	EA	
7	PK930079	SHELF COVER SXS 48 FZ	1	EA	
8	M0211021	SCREW-SM	4	EA	
9	12258501	SUPPORT-SHELF	4	EA	
10	PK930076	ICE PAN ASM SXS 48	1	EA	
11	PM910190	BASKET ASM FZ	2	EA	
12	PK930075	GLIDE SXS 48 FZ L	3	EA	
13	PK930074	GLIDE SXS 48 FZ R	3	EA	
14	12304301	CLOSEOUT-FZ SIDE #	1	EA	
15	PK930073	CLOSEOUT SIDE SXS 48 FZ L	1	EA	
16	042766-000	LED LIGHT, 8-POINT	2	EA	
17	C9097183WH	SUPPORT IM ND SXS 48 WH	1	EA	
18	G50911851	IM ASM, SXS & AF	1	EA	
19	023112-000	HARNESS,ICE MAKER	1	EA	
20	002329-000	ARM, IM SHUTOFF	1	EA	
21	007082-000	WIRE, IM SHUTOFF	1	EA	
22	003860-000	10-18 x .500 FASTNR,SCR,HXWH,STL,ZPLT	2	EA	
23	057731-000	ICEMAKER 7SERIES BM, 5 SERIES	1	EA	
24	PK030540	DRAIN TUBE SXS's & 36BM	1	EA	

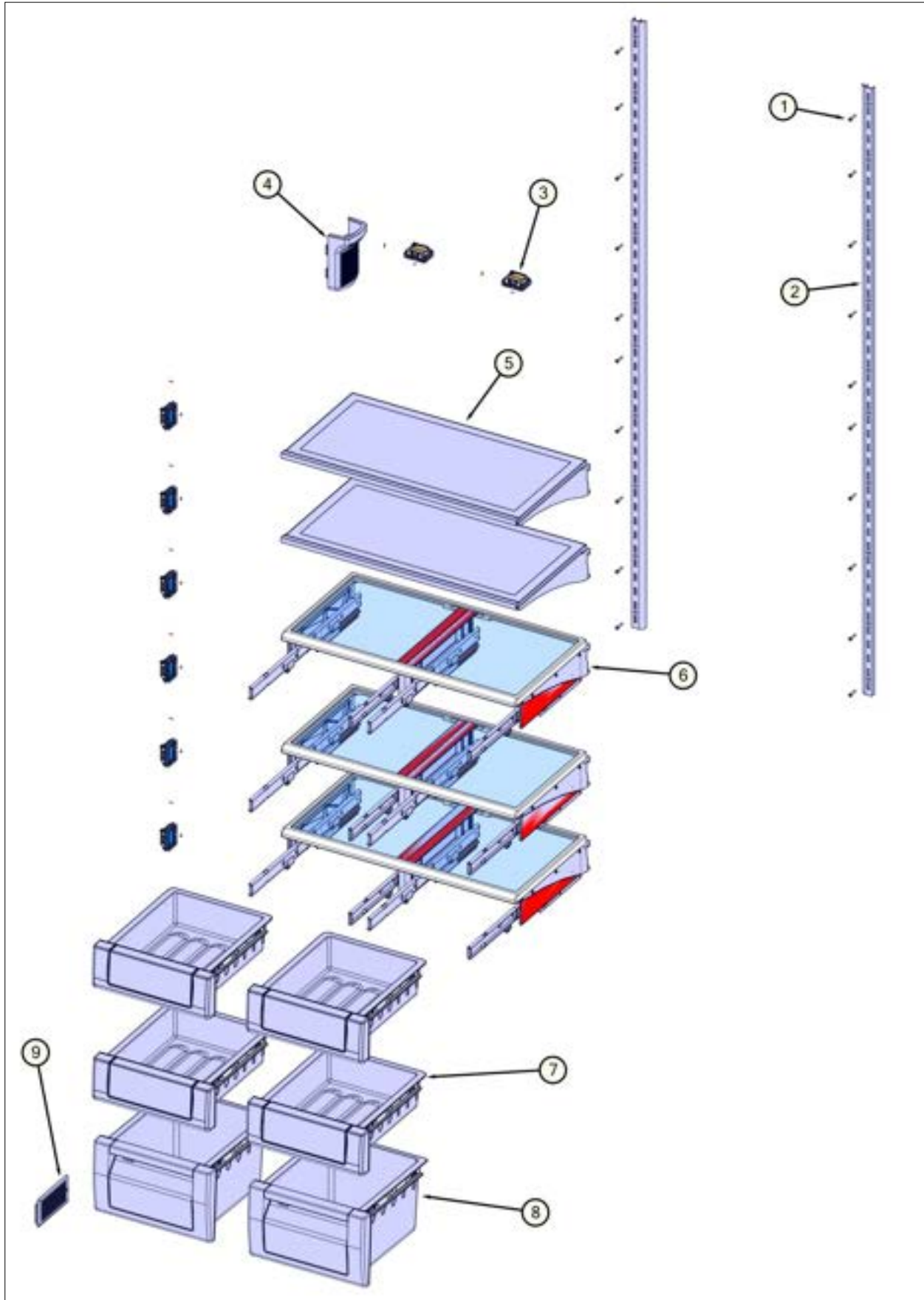
Control View





Item	Part No.	Name	Qty	Uom	NOTES
1	016593-000	PANEL CONTROL SXS 48	1	EA	
2	054569-000	OVERLAY SWITCH ASM 48 SXS NON-DISP	1	EA	
3	058279-000	PANEL, BRKT, CONTROL (17.5")	1	EA	
4	058278-000	PANEL, BRKT, CONTROL (14")	1	EA	
5	PD020194	SCR, HEX SRTD WSHR HD, #8- 18 X 1/2	4	EA	
6	PD020193	SCR 8-18 X 3/8	2	EA	
7	12064001	SUPP-CONT PANEL	2	EA	
8	014190-000	BRACKET, GRILLE SUPPORT	2	EA	
9	072070-000	PANEL, MDL, CTRL, BOX, FR, TOP	1	EA	
10	a3189370	GASKET-FOAM VA3189370	1	EA	
11	069620-000	BUSHING, SNAP, U-TYPE, .900"	1	EA	
12	072071-000	PANEL, MDL, CTRL, BOX, SIDE, BACK	1	EA	
13	M0288120	NUT-SPEED VM0288120	2	EA	
14	M0322202	TIE-WIRE	6	EA	
15	068189-000	BRACKET, SW, POWER W/USB	1	EA	

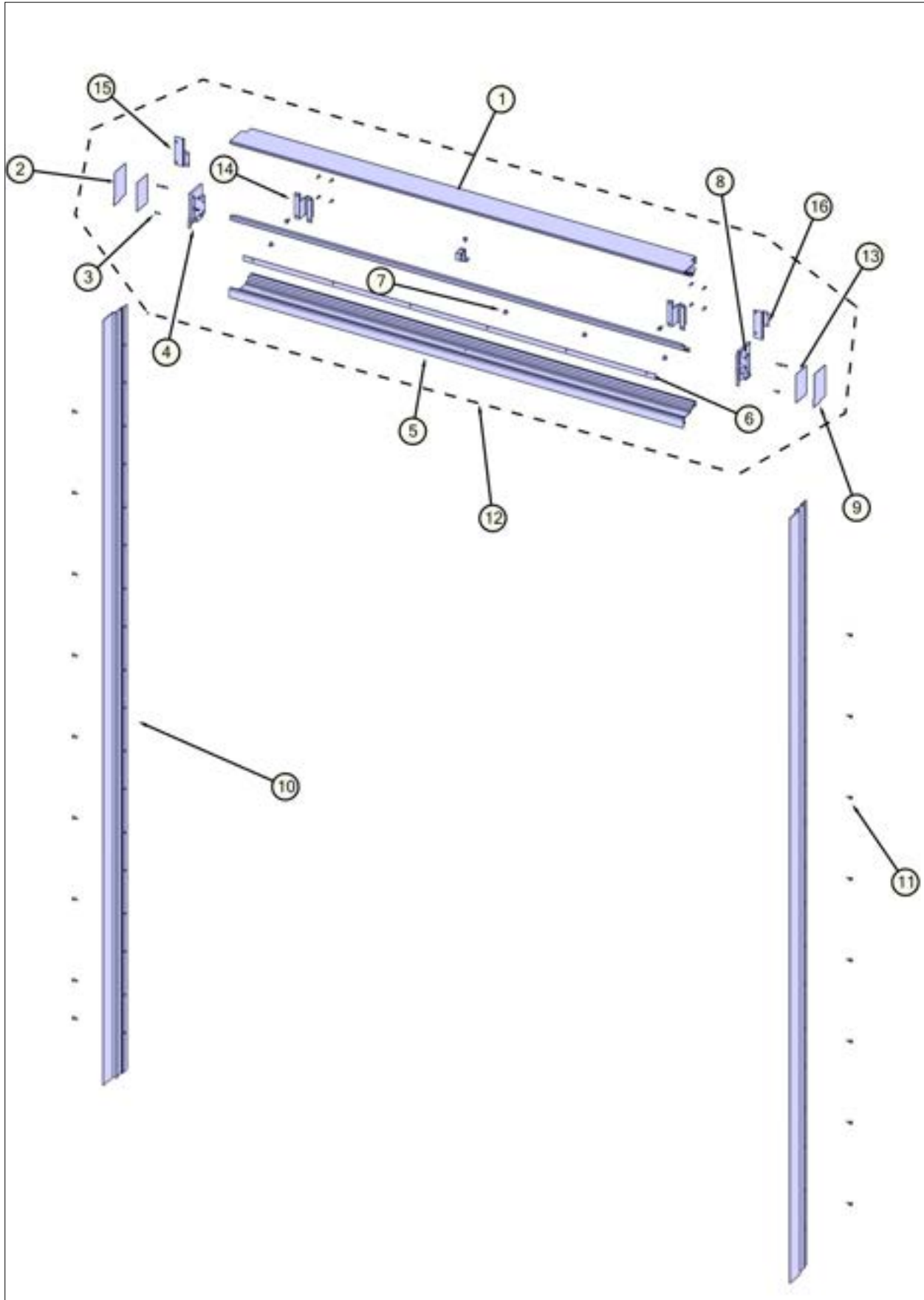
Fresh Food Interior Shelving View





Item	Part No.	Name	Qty	Uom	NOTES
1	013397-000	1" PAINTED LADDER SCREW	20	EA	
2	071770-006	LADDER, SXS, 42/48	2	EA	
3	042764-000	LED LIGHT, 3-POINT	11	EA	
4	045686-000	HOUSING, PCI, ASM, SXS	1	EA	
5	042675-000	SHELF, GL, 48" GLASS SHELF ASSY	2	EA	
6	045819-000	SHELF ASM 48 FOL	3	EA	
7	G32911938	DRAWER DELI ASM SXS 48 AR 30	4	EA	
8	012259-000	DRAWER PRODUCE ASM AR 30/48	2	EA	
9	053183-000	COVER, FF, SXS	1	EA	

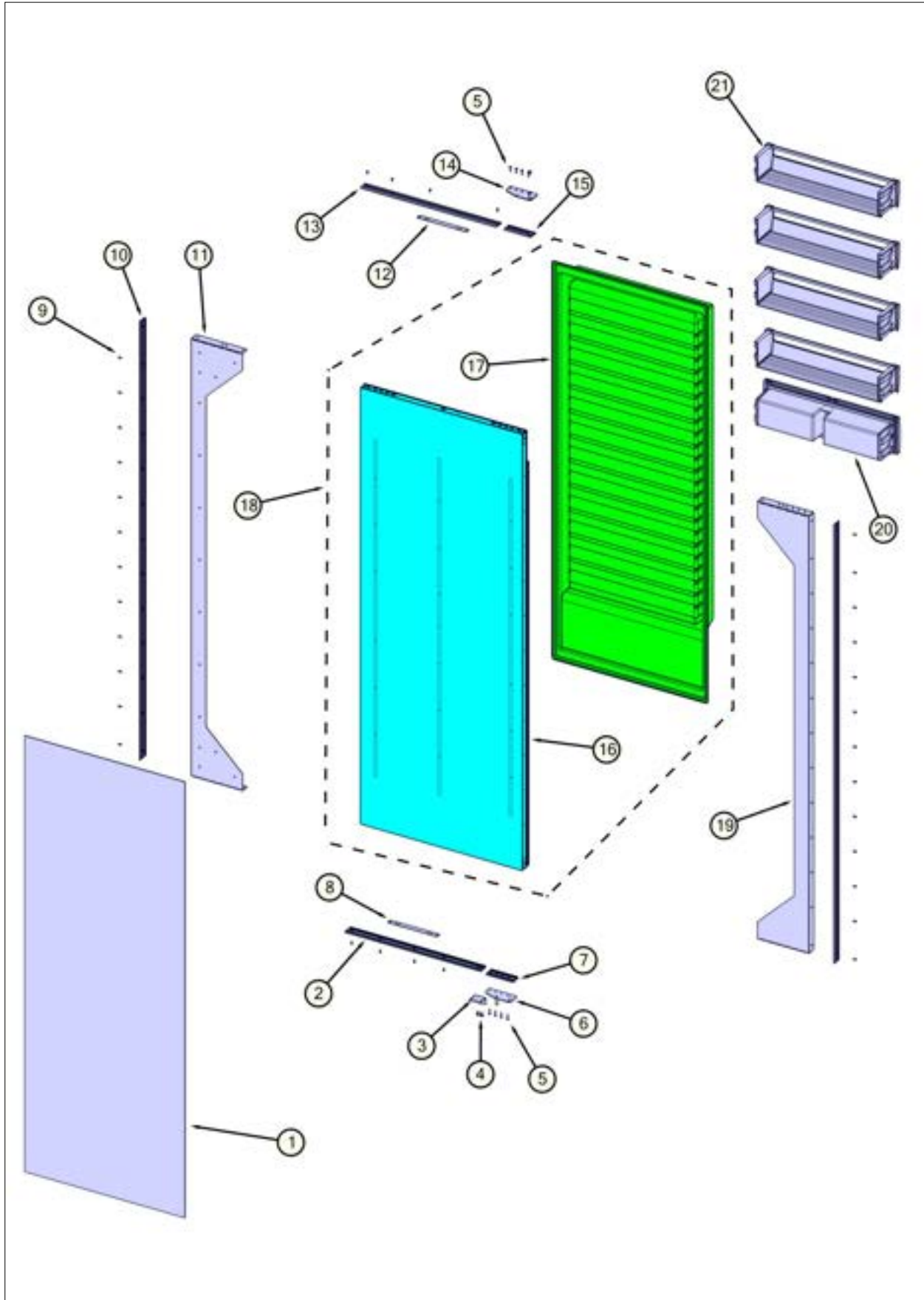
Decor View





Item	Part No.	Name	Qty	Uom	NOTES
1	016197-000	GRILLE UPPER SXS 48 DES	1	EA	
2	033709-000	ENDCAP, GRILLE, L, HINGE	1	EA	
3	003004-000	8 - 18 X 1/2 ZN/CLR PHIL FLAT TRIM HD #5 TYPE AB TAPPING SCREW	10	EA	
4	PM910349	END CAP GRILLE L	1	EA	
5	016194-000	GRILLE LOWER SXS 48 DES	1	EA	
6	pm910369	GRILLE EXTENSION SXS 48 FO	1	EA	
7	M0230028	SCREW-TC	8	EA	
8	PM910348	ENP CAP GRILLE R	1	EA	
9	033729-000	ENDCAP, GRILLE, R, HINGE	1	EA	
10	PK920066	TRIM, EXTRU, SIDE DES	2	EA	
11	M0215318	SCREW-SM	18	EA	
12	054021-000	GRILLE, ASM, 48 SXS, FOL	1	EA	
13	034181-000	TAPE, DBL, SIDED, END CAPS	2	EA	
14	PK050004	BRACKET GRILLE 5 SERIES	1	EA	
15	K2099470	BRACKET GRILLE SUPPORT R	1	EA	
16	K2099471	BRACKET GRILLE SUPPORT L	1	EA	

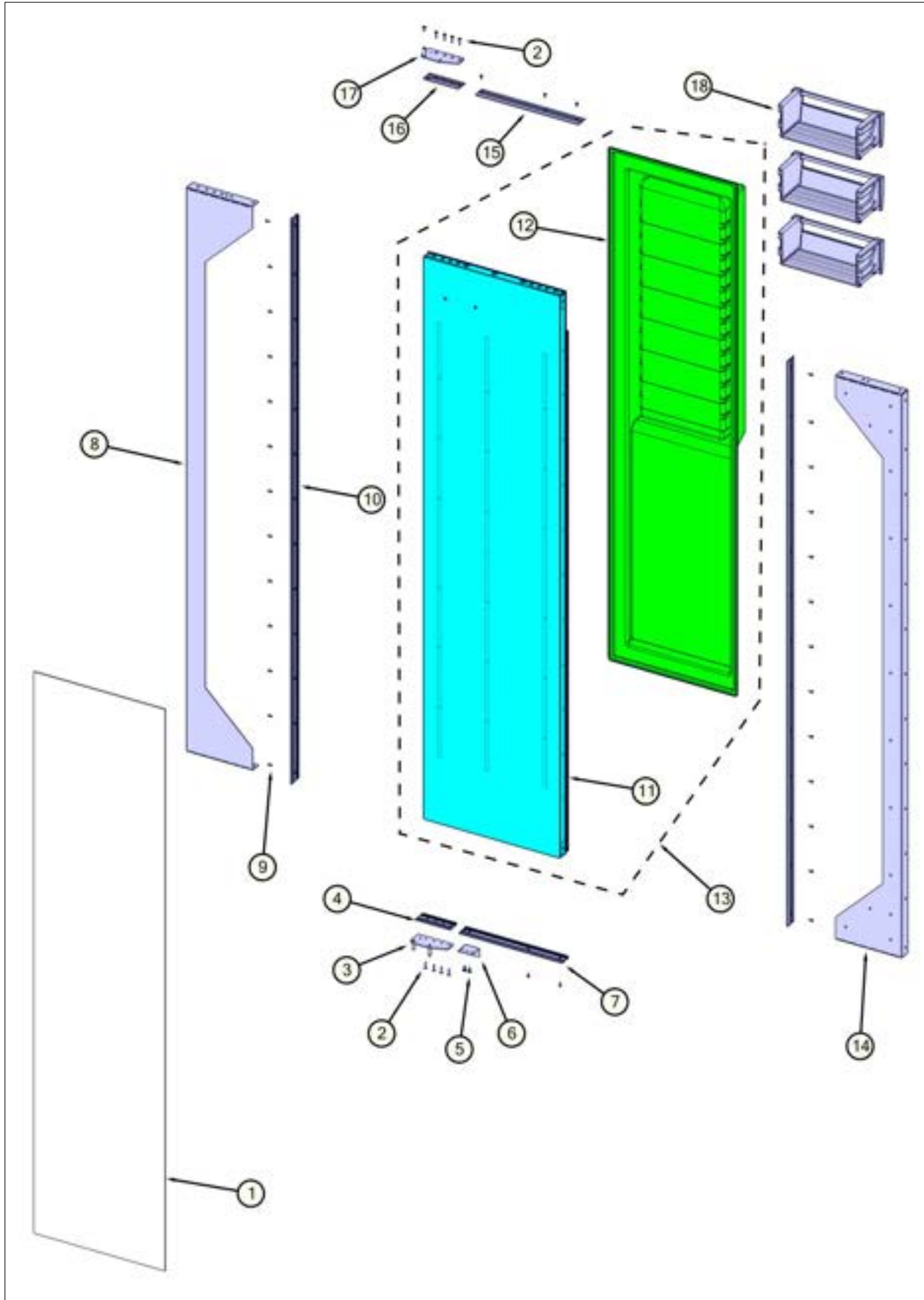
Fresh Food Door View





Item	Part No.	Name	Qty	Uom	NOTES
1	003621-000	SHEET,FOAM,30 AF/AR, 48 FF	1	EA	
2	004500-000	EXTRUSION,FOL,BOT,48 FF	1	EA	
3	044314-000	STRIKER, DOOR SWITCH	1	EA	
4	M0210458	SCR 8-18 X 5/8 WAFER PH SMS	2	EA	
5	PD920174	10X7/8 PHILLIPS SMA TRI LOBE SA	8	EA	
6	044508-000	PIVOT PLATE, LOWER, RH FOL	1	EA	
7	034903-000	EXTRUSION, FOL, PIVOT PLATE SPACER, LEFT	1	EA	
8	008399-000	SPACER,36,30,48FF,FOL	1	EA	
9	M0215318	SCREW-SM	35	EA	
10	000953-000	EXTRUSION,FOL,SIDE	2	EA	
11	000950-000	BRACKET,PNL,FULL OVERLAY	1	EA	
12	008399-000	SPACER,36,30,48FF,FOL	2	EA	
13	002297-000	EXTRUSION,FOL, TOP,48 SXS FF	1	EA	
14	044505-000	PIVOT PLATE, UPPER, RH FOL	1	EA	
15	034902-000	EXTRUSION, FOL, PIVOT PLATE SPACER, RIGHT	1	EA	
16	052624-000	PAN WELD ASM SXS 48 FF	1	EA	
17	066265-000	LINER, DOOR, SXS, 48", FF	1	EA	
18	070902-000	ASM, DOOR, FOAM, FF, SXS, 48", 5 SERIES	1	EA	
19	007377-000	BRACKET,SIDE,HINGE,FULL OVERLAY	1	EA	
20	V12203602	DAIRY MODULE ASSY #	1	EA	
21	036886-000	DOORBIN ASM SXS 48 FF	4	EA	

Freezer Door View





Item	Part No.	Name	Qty	Uom	NOTES
1	003620-000	SHEET,FOAM,42/48 FZ	1	EA	
2	PD920174	10X7/8 PHILLIPS SMA TRI LOBE SA	8	EA	
3	044507-000	PIVOT PLATE, LOWER, LH FOL	1	EA	
4	034902-000	EXTRUSION, FOL, PIVOT PLATE SPACER, RIGHT	1	EA	
5	M0210458	SCR 8-18 X 5/8 WAFER PH SMS	2	EA	
6	044314-000	STRIKER, DOOR SWITCH	1	EA	
7	004501-000	EXTRUSION,FOL,BOT,48 FZ	1	EA	
8	007377-000	BRACKET,SIDE,HINGE,FULL OVERLAY	1	EA	
9	M0215318	SCREW-SM	31	EA	
10	000953-000	EXTRUSION,FOL,SIDE	2	EA	
11	052747-000	PAN WELD ASM SXS 48 FZ	1	EA	
12	066266-000	LINER, DOOR, SXS, 48", FZ	1	EA	
13	070903-000	ASM, DOOR, FOAM, FZ, SXS, 48", 5 SERIES	1	EA	
14	000950-000	BRACKET,PNL,FULL OVERLAY	1	EA	
15	002301-000	EXTRUSION,FOL,TOP,48 SXS FZ	1	EA	
16	034903-000	EXTRUSION, FOL, PIVOT PLATE SPACER, LEFT	1	EA	
17	044506-000	PIVOT PLATE, UPPER, LH FOL	1	EA	
18	036888-000	DOORBIN ASM SXS FZ	3	EA	



Appendix A:Pages Index

Bottom View 1
Control View 5
Decor View 7
Freezer Door View 9
Freezer Interior Shelving View 4
Fresh Food Door View 8
Fresh Food Interior Shelving View 6
Lo Side Asm View 3
Top View 2



Appendix B:Parts Index

000570-000	1, 2	044358-000	2
000950-000	8, 9	044359-000	2
000953-000	8, 9	044372-000	1
002297-000	8	044373-000	1
002301-000	9	044374-000	1
002329-000	4	044505-000	8
003004-000	7	044506-000	9
003620-000	9	044507-000	9
003621-000	8	044508-000	8
003860-000	4	044511-000	1
003867-000	1	044939-000	1
004500-000	8	045548-000	3
004501-000	9	045686-000	6
007082-000	4	045819-000	6
007377-000	8, 9	050926-000	2
008399-000	8, 8	052624-000	8
011332-000	1	052747-000	9
012259-000	6	053063-000	2
013397-000	6	053183-000	6
014190-000	5	053191-000	3
014519-000	2	053200-000	3
016194-000	7	053248-000	3
016197-000	7	053301-000	3
016593-000	5	053302-000	4
023112-000	4	054021-000	7
024306-000	3	054407-000	2
033709-000	7	054569-000	5
033729-000	7	057731-000	4
034181-000	7	058278-000	5
034902-000	8, 9	058279-000	5
034903-000	8, 9	058966-000	3
036886-000	8	059105-000	2
036888-000	9	060128-501	2
042675-000	6	060890-000	1
042764-000	4, 6	060891-000	1
042766-000	4, 4	062775-000	2
043261-000	1	066265-000	8
044026-000	1	066266-000	9
044046-000	1	067842-000	2
044314-000	8, 9	068015-000	1
		068189-000	5



068353-000	2	K20915952	1
069620-000	5	K2096457	3
070656-000	2	K2096458	3
070895-000	3	K2098044	1
070896-000	2	K2098096	1
070902-000	8	K2099454	2
070903-000	9	K2099470	7
071038-000	1	K2099471	7
071561-000	3	L20914124	1
071583-000	1	L2097181	3
071586-000	3	M0210458	8, 9
071752-000	2	M0211021	4
071754-000	2	M0215318	7, 8, 9
071755-000	2	M0220417	1
071756-000	2	M0221523	1, 2
071770-006	6	M0230028	7
071772-006	4	M0238535	4
072070-000	5	M0253916	1
072071-000	5	M0288120	5
072758-000	2	M0322202	5
073959-000	1	PB970187	2
076520-000	3	PD020193	5
077047-000	3	PD020194	1, 2, 3, 5
10428101	3	PD020274	1
10547001	2	PD030146	1
10629001	3	PD920174	8, 9
10699601	2	PD940094	1
10835901	2	PD940107	1
10855402	3	PE050248	1
12064001	5	PE950149	2
12258501	4	PK030540	4
12304301	4	PK050004	7
A4554806	1	PK920066	7
A4554817	1	PK930073	4
C8983701	3	PK930074	4
C9097183WH	4	PK930075	4
F2096504	2	PK930076	4
G32911938	6	PK930079	4
G32913789	1	PK930150	3
G50911851	4	PK930348	1
K20911831	1	PM910190	4



PM910206 3
PM910276 2
PM910348 7
PM910349 7
PM910411 4
V12203602 8
a3189370 1, 2, 5
f20915696 1
f2096507 2
f2097740 2
m0585504 2
pd030118 2
pm910369 7