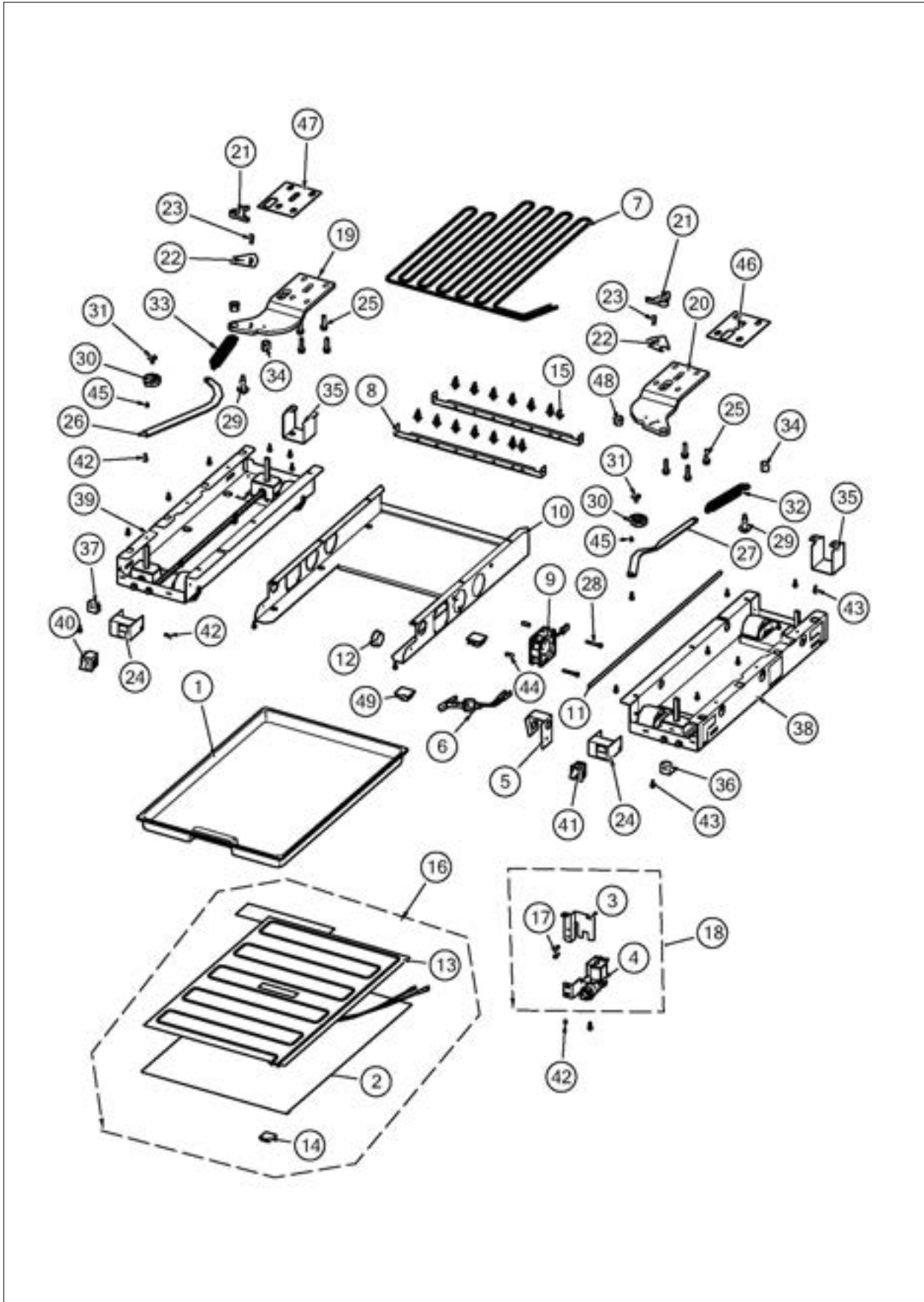


FDSB548311

| | |
|------------------------------|---|
| UNIT BOTTOM | 1 |
| UNIT TOP | 2 |
| FRESH FOOD INTERIOR | 3 |
| FREEZER INTERIOR | 4 |
| CONTROL | 5 |
| DECOR | 6 |
| FRESH FOOD DOOR | 7 |
| FREEZER DOOR | 8 |
| Appendix A:Pages Index | A |
| Appendix B:Parts Index | B |

UNIT BOTTOM



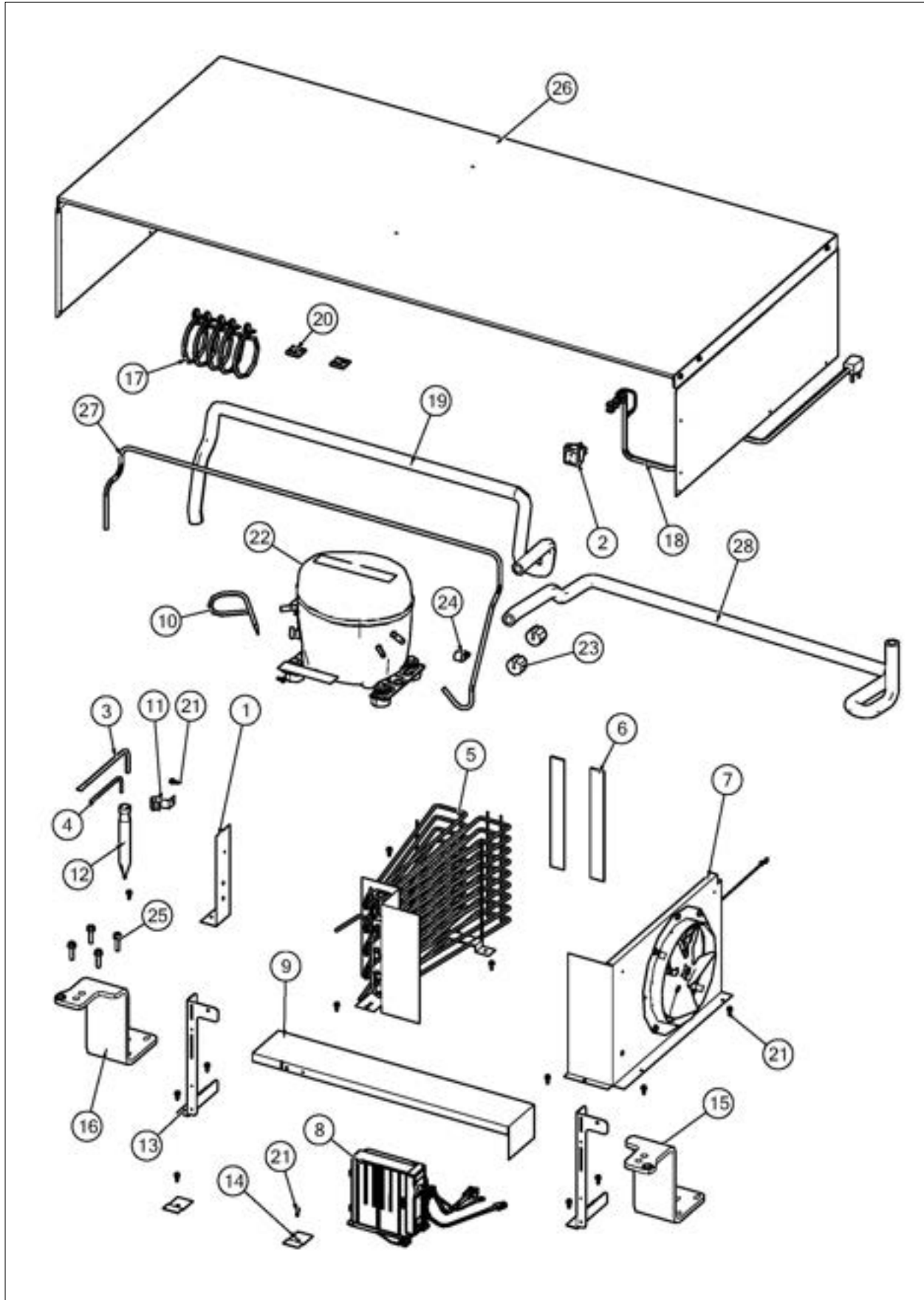


| Item | Part No. | Name | Qty | Uom | NOTES |
|------|------------|--|-----|-----|-------|
| 1 | PK930348 | PAN DRAIN | 1 | EA | |
| 2 | L20914124 | TRAY PAN HEATER | 1 | EA | |
| 3 | K20913788 | BRKT VALVE H2O SINGLE | 1 | EA | |
| 4 | PA970012 | SINGLE WATER VALVE | 1 | EA | |
| 5 | B20915627 | BRACKET HORIZ FLOAT SWITCH | 1 | EA | |
| 6 | PE050248 | FLOAT SWITCH HORIZONTAL | 1 | EA | |
| 7 | F20915693 | SERPENTINE CONDENSER DRAIN ALL SXS'S | 1 | EA | |
| 8 | K20911831 | BRACKET CONDENSATE SUPPORT | 2 | EA | |
| 9 | 013112-000 | AXIAL FAN | 1 | EA | |
| 10 | K20915952 | SHIELD BOTTOM DRAIN | 1 | EA | |
| 11 | 044034-000 | TUBING, ROLL, PEX 1/4" | 1 | EA | |
| 12 | A4554817 | BUSHING-SNAP VA4554817 | 1 | EA | |
| 13 | G50911853 | TRAY PAN HEATER | 1 | EA | |
| 14 | M0104106 | CLIP-CORD VM0104106 | 1 | EA | |
| 15 | PD030146 | STAND OFF LOCK CLIP | 14 | EA | |
| 16 | G50911853 | TRAY PAN HEATER | 1 | EA | |
| 17 | M0220417 | SCREW-TC | 2 | EA | |
| 18 | G32913789 | BRKT & VALVE H2O SNGL ASM | 1 | EA | |
| 19 | 044046-000 | HINGE PLATE, LH, LWR 30/36AFAR, 42, 48 | 1 | EA | |
| 20 | 044026-000 | HINGE PLATE, RH, LWR 30/36ARAF, 42, 48 | 1 | EA | |
| 21 | 044372-000 | BUSHING, DOOR STOP | 2 | EA | |
| 22 | 044511-000 | PLATE, DOOR, SHIM | 2 | EA | |
| 23 | 044374-000 | PIN, DOOR STOP | 2 | EA | |
| 24 | 044939-000 | BRACKET, LT SWITCH | 2 | EA | |
| 25 | 000570-000 | FASTENER, BOLT, 1/4-20 IHXWS 1" S ZN SER | 8 | EA | |
| 26 | 043258-000 | BAR, BOTTOM HINGE, LH, WC | 1 | EA | |
| 27 | 043261-000 | BAR, BOTTOM HINGE, RH, WC | 1 | EA | |
| 28 | PD020274 | SCR SLTD HEX WSHR HD 8X1.250 BT | 2 | EA | |
| 29 | M0221523 | SCREW - SHLDR | 2 | EA | |



| Item | Part No. | Name | Qty | Uom | NOTES |
|------|------------|------------------------------------|-----|-----|-------|
| 30 | 044370-000 | CAM DOOR ADJUSTMENT | 2 | EA | |
| 31 | 044377-000 | WSHR FENDER, .219 X .68 X .030 | 2 | EA | |
| 32 | 003867-000 | SPRING EXTENSION | 1 | EA | |
| 33 | PC910015 | SPRING EXTENSION | 1 | EA | |
| 34 | PD940107 | ROUND SPRING SPACER | 2 | EA | |
| 35 | 053261-000 | U CHANNEL | 2 | EA | |
| 36 | K2098044 | BRKT GRILLE SUPPORT | 1 | EA | |
| 37 | K2098096 | BRKT GRILLE SUPPORT | 1 | EA | |
| 38 | 060890-000 | LEVELER, MODULE, R | 1 | EA | |
| 39 | 060891-000 | LEVELER, MODULE, L | 1 | EA | |
| 40 | 046062-000 | SWITCH, SPDT GRAY | 1 | EA | |
| 41 | 046063-000 | SWITCH, SPST NC GRAY | 1 | EA | |
| 42 | M0220417 | SCREW-TC | 6 | EA | |
| 43 | PD020194 | SCR, HEX SRTD WSHR HD, #8-18 X 1/2 | 24 | EA | |
| 44 | 011332-000 | SPACER,NYL | 2 | EA | |
| 45 | PD940094 | BUSHING | 2 | EA | |
| 46 | 000537-000 | SPACER BOTTOM HINGE LR | 1 | EA | |
| 47 | 000538-000 | SPACER BOTTOM HINGE LL | 1 | EA | |
| 48 | 044373-000 | BUSHING, DOOR LEVEL | 2 | EA | |
| 49 | M0104102 | CLIP-CORD RED | 2 | EA | |
| NI | PM010555 | VALVE CONNECTION BAG ASM | 1 | EA | |

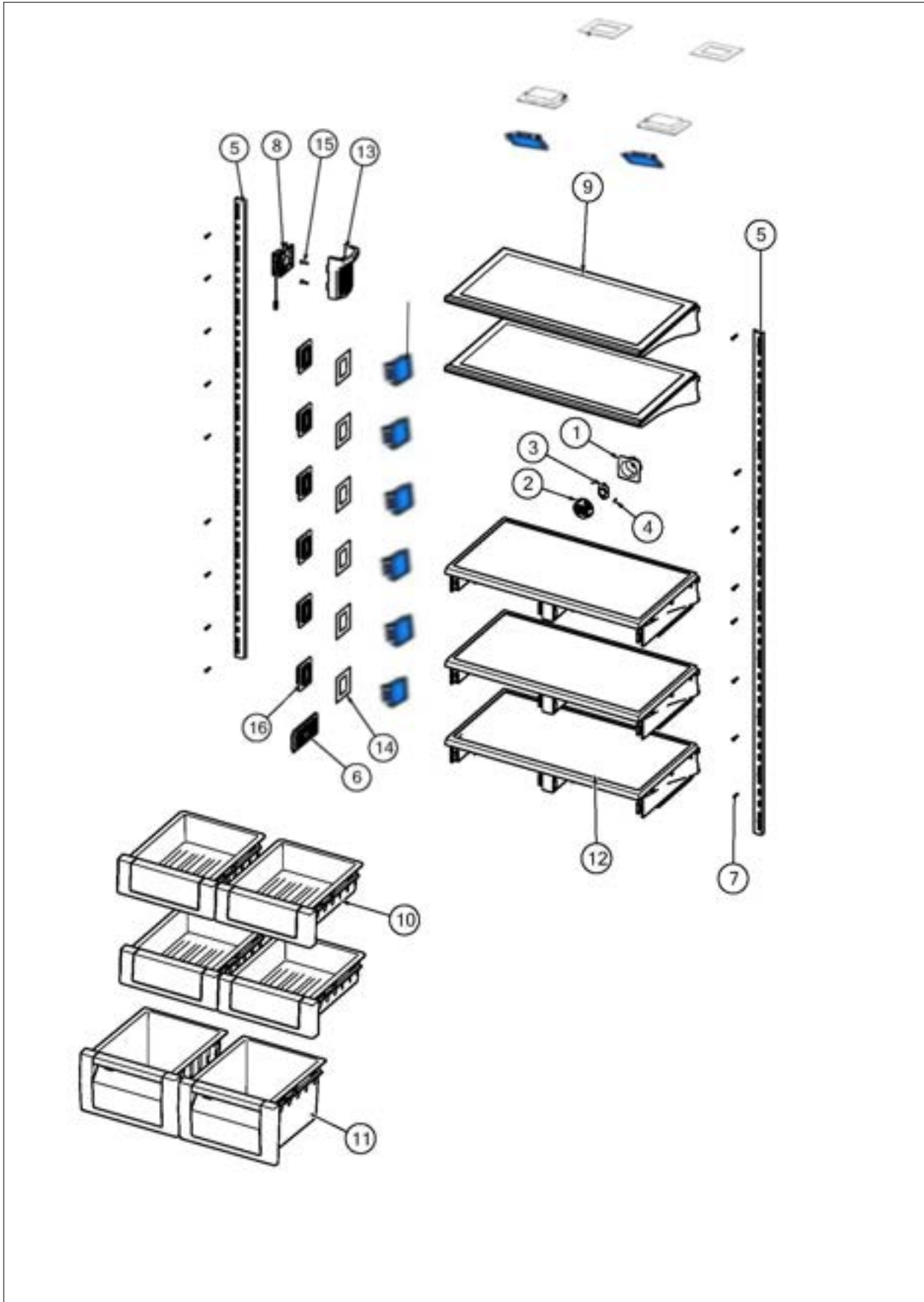
UNIT TOP





| Item | Part No. | Name | Qty | Uom | NOTES |
|------|------------|--|-----|-----|-------|
| 1 | K2099454 | BRACKET DRIER | 1 | EA | |
| 2 | PE950149 | SWITCH POWER | 1 | EA | |
| 3 | F2097740 | TUBE PROCESS | 1 | EA | |
| 4 | F2096504 | TUBE-DRIER EXT | 1 | EA | |
| 5 | 068353-000 | CONDENSER ASM W/COPPER ENDS | 1 | EA | |
| 6 | A3189370 | GASKET-FOAM VA3189370 | 2 | EA | |
| 7 | 050903-000 | CONDENSER FAN ASM | 1 | EA | |
| 8 | 050926-000 | INVERTER, CMPR, ASM | 1 | EA | |
| 9 | 014519-000 | DIVERTER AIR HI SIDE SXS | 1 | EA | |
| 10 | F2096507 | TUBE-PROCESS GRN | 1 | EA | |
| 11 | 10547001 | CLIP-DRIER V10547001 | 1 | EA | |
| 12 | PM010616 | DRIER - HIGH SIDE | 1 | EA | |
| 13 | 014190-000 | BRACKET, GRILLE SUPPORT | 2 | EA | |
| 14 | K2096943 | PANEL BRACKET | 2 | EA | |
| 15 | 044359-000 | UPPER HINGE ASM, RH | 1 | EA | |
| 16 | 044358-000 | UPPER HINGE ASM, LH | 1 | EA | |
| 17 | M0322202 | TIE-WIRE | 6 | EA | |
| 18 | 059105-000 | CORD, PWR, BM, LEAD TERMINALS | 1 | EA | |
| 19 | PB970188 | INSULATION TUBING 45.000 | 1 | EA | |
| 20 | M0104106 | CLIP-CORD VM0104106 | 2 | EA | |
| 21 | PD020194 | SCR, HEX SRTD WSHR HD, #8-18 X 1/2 | 11 | EA | |
| 22 | 062775-000 | VEGD 8H COMPRESSOR | 1 | EA | |
| 23 | 10699601 | DAMPER-TUBING .8 | 2 | EA | |
| 24 | PD030118 | INSULATED CLAMP | 1 | EA | |
| 25 | 000570-000 | FASTENER, BOLT, 1/4-20 IHXWS 1" S ZN SER | 8 | EA | |
| 26 | 052700-000 | MC COVER ASM BI 48 | 1 | EA | |
| 27 | 054407-000 | TUBING, DISCHARGE | 1 | EA | |
| 28 | PB970187 | INSULATION TUBING 57.500 WC, 5 SERIES | 1 | EA | |
| NI | 043371-000 | HARNESS, MC | 1 | EA | |

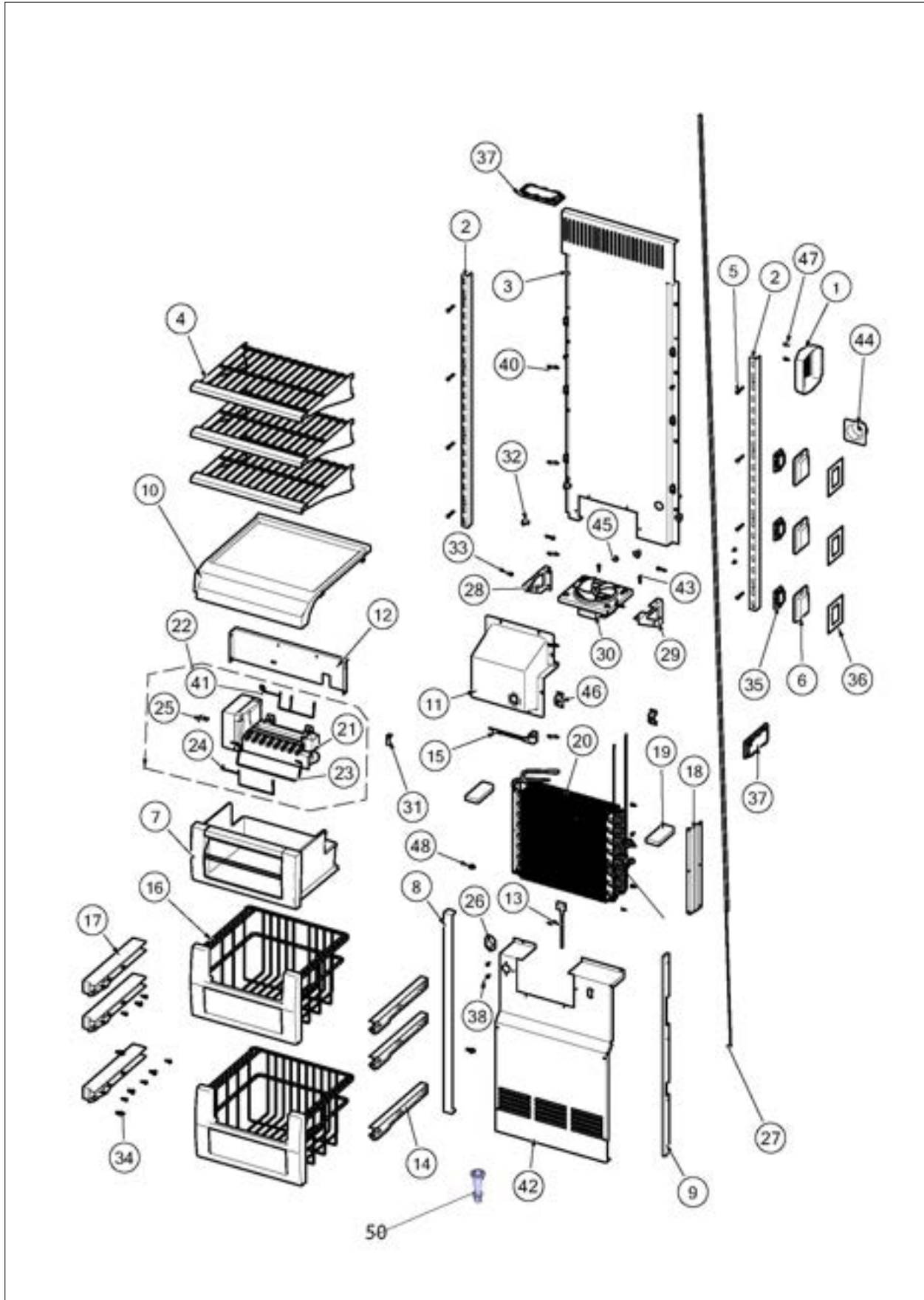
FRESH FOOD INTERIOR





| Item | Part No. | Name | Qty | Uom | NOTES |
|------|------------|---|-----|-----|-------|
| 1 | 053258-000 | COVER, SXS, WIRES | 1 | EA | |
| 2 | 053248-000 | COVER, SXS, THERM | 1 | EA | |
| 3 | C8983701 | THERMISTOR | 1 | EA | |
| 4 | M0215318 | SCREW-SM | 2 | EA | |
| 5 | 071770-006 | LADDER, SXS, 42/48 | 2 | EA | |
| 6 | 053183-000 | COVER, FF, SXS | 1 | EA | |
| 7 | 013397-000 | 1" PAINTED LADDER SCREW | 20 | EA | |
| 8 | 051008-000 | FAN,AXIAL,80X80X25MM 24 VDC | 1 | EA | |
| 9 | 042675-000 | SHELF, GL, 48" GLASS SHELF ASSY | 2 | EA | |
| 10 | G32911938 | DRAWER DELI ASM SXS 48 AR 30 | 4 | EA | |
| 11 | 012259-000 | DRAWER PRODUCE ASM AR 30/48 | 2 | EA | |
| 12 | 045819-000 | SHELF ASM 48 FOL | 3 | EA | |
| 13 | 053302-000 | COVER, FAN, FF, SXS, 42/48 | 1 | EA | |
| 14 | 044694-000 | LED SHIM, SMALL SINGLE (NON-SERVICEABLE PART) | 8 | EA | |
| 15 | 007301-000 | GROMMET,RUBBER | 2 | EA | |
| 16 | 046358-000 | LED CUP ASSY (3) (NON-SERVICEABLE PART) | 8 | EA | |
| NI | 011059-000 | HARNESS, JUMPER | 1 | EA | |
| 17 | 042764-000 | LED LIGHT, 3-POINT | 8 | EA | |

FREEZER INTERIOR



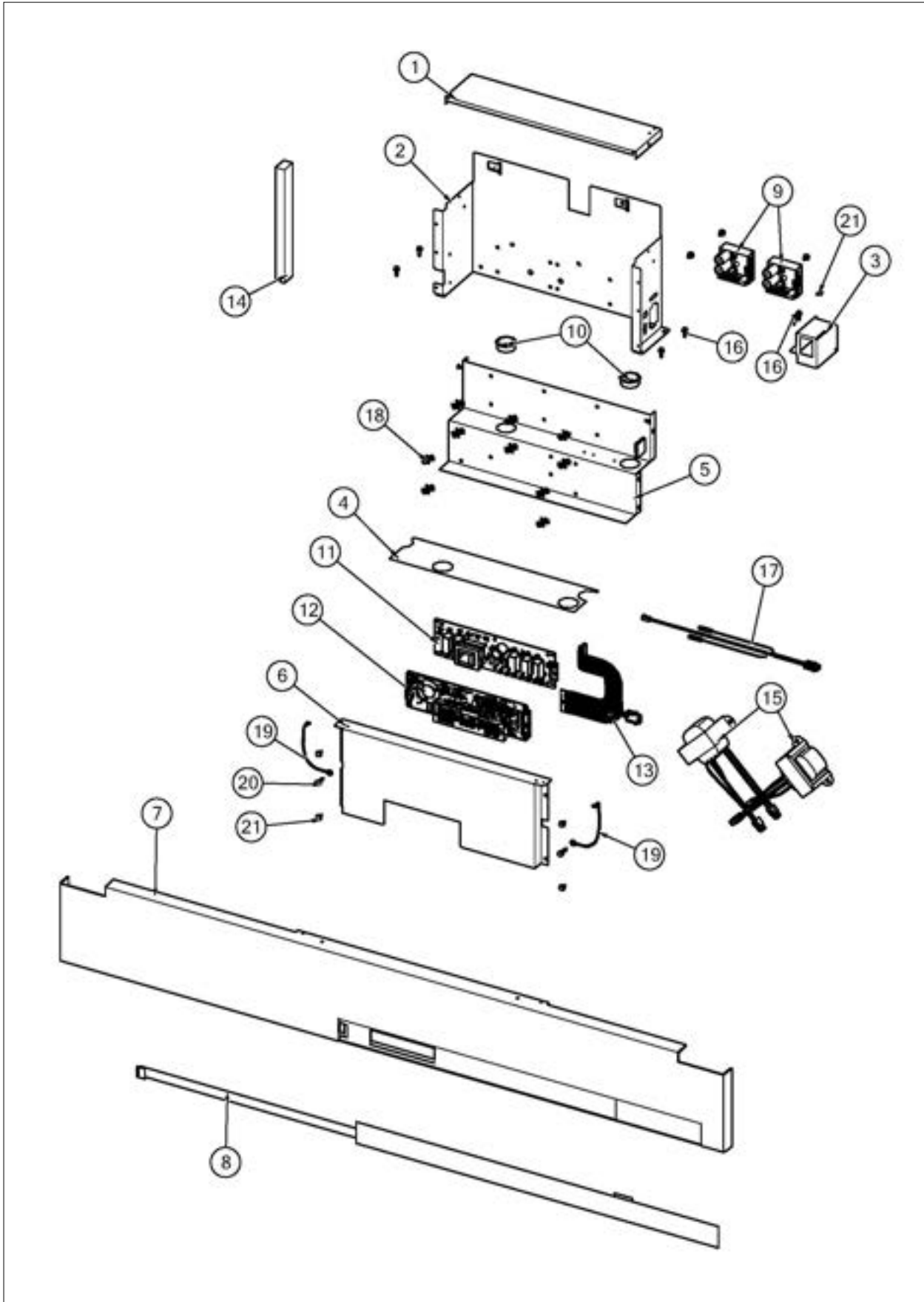


| Item | Part No. | Name | Qty | Uom | NOTES |
|------|------------|---|-----|-----|-------|
| 1 | 053283-000 | COVER, FAN, SXS, FREEZER | 1 | EA | |
| 2 | 071772-006 | LADDER, FZ, L/R SIDE, 42/48 | 2 | EA | |
| 3 | L2097181 | COVER EVAP UPPER SXS 48 | 1 | EA | |
| 4 | PM910411 | SHELF WIRE 42/48 | 3 | EA | |
| 5 | M0238535 | SCREW-SM | 8 | EA | |
| 6 | 046358-000 | LED CUP ASSY (3) (NON-SERVICEABLE PART) | 3 | EA | |
| 7 | PK930076 | ICE PAN ASM SXS 48 | 1 | EA | |
| 8 | PK930073 | CLOSEOUT SIDE SXS 48 FZ L | 1 | EA | |
| 9 | 12304301 | CLOSEOUT-FZ SIDE # | 1 | EA | |
| 10 | PK930079 | SHELF COVER SXS 48 FZ | 1 | EA | |
| 11 | PK930150 | COVER CTR EVAP SXS | 1 | EA | |
| 12 | C2097183 | SUPPORT IM ND SXS 48 | 1 | EA | |
| 13 | 057783-000 | EXTENSION, DFR, HEATER, AF 30/36 | 1 | EA | |
| 14 | PK930074 | GLIDE SXS 48 FZ R | 3 | EA | |
| 15 | 058966-000 | THERMOSTAT, SNAP ACTION, 55 OPEN 20 CLOSE | 1 | EA | |
| 16 | PM910190 | BASKET ASM FZ | 2 | EA | |
| 17 | PK930075 | GLIDE SXS 48 FZ L | 3 | EA | |
| 18 | 053200-000 | BRKT- EVAP COVER 12234801 | 1 | EA | |
| 19 | 10629001 | BLOCK-R AIR COIL RED | 2 | EA | |
| 20 | G50910020 | EVAP ASM SXS | 1 | EA | |
| 21 | G50911851 | IM ASM, SXS & AF | 1 | EA | |
| 22 | 057731-000 | ICEMAKER 7SERIES BM, 5 SERIES | 1 | EA | |
| NI | 023112-000 | HARNES,ICE MAKER | 1 | EA | |
| 23 | 002329-000 | ARM, IM SHUTOFF | 1 | EA | |
| 24 | 007082-000 | WIRE, IM SHUTOFF | 1 | EA | |
| 25 | PD030155 | CLIP-IM FILL CUP | 1 | EA | |
| 26 | C8983701 | THERMISTOR | 1 | EA | |
| 27 | 053301-000 | HEAT EXCHANGER ASM SXS 48 | 1 | EA | |
| 28 | K2096458 | BRKT-L-EVAP-FAN 12223102 | 1 | EA | |
| 29 | K2096457 | BRKT-R-EVAP FAN 12223101 | 1 | EA | |



| Item | Part No. | Name | Qty | Uom | NOTES |
|------|------------|--|-----|-----|-------|
| 30 | 076048-000 | FAN, EVAP ASSY- SXS | 1 | EA | |
| 31 | 10526701 | CLAMP-WIRE V10526701 | 1 | EA | |
| 32 | 12258501 | SUPPORT-SHELF | 4 | EA | |
| 33 | M0211021 | SCREW-SM | 4 | EA | |
| 34 | PD020195 | SCR 8-18 X 5/8 | 11 | EA | |
| 35 | 042764-000 | LED LIGHT, 3-POINT | 3 | EA | |
| 36 | 044694-000 | LED SHIM, SMALL SINGLE (NON-SERVICEABLE PART) | 6 | EA | |
| 37 | 042766-000 | LED LIGHT, 8-POINT | 2 | EA | |
| 38 | M0253916 | SCR 8-32 SHXW 3/8 TRI-LOBE | 2 | EA | |
| 39 | M0581001 | GROMMET-SCREW | 9 | EA | |
| 40 | M0215318 | SCREW-SM | 16 | EA | |
| 41 | 054453-000 | WIRE, IM, SHUTOFF | 1 | EA | |
| 42 | 053191-000 | COVER EVAP LOWER SXS | 1 | EA | |
| 43 | M0238859 | SCREW-SHLDR | 4 | EA | |
| 44 | 053258-000 | COVER, SXS, WIRES | 1 | EA | |
| 45 | 12102501 | RET-HARNESS | 2 | EA | |
| 46 | K2096456 | BRKT-EVAP CLIP 12215101 | 2 | EA | |
| 47 | PD020194 | SCR, HEX SRTD WSHR HD, #8- 18 X 1/2 | 2 | EA | |
| 48 | M0581001 | GROMMET-SCREW | 1 | EA | |
| 49 | PJ910031 | HEATER EVAP SXS | 1 | EA | |
| NI | A3189370 | GASKET-FOAM VA3189370 | 1 | EA | |
| NI | A3030303 | GASKET | 1 | EA | |
| NI | A3030361 | GASKET RED | 2 | EA | |
| NI | A3189348 | GASKET-FOAM VA3189348 | 2 | EA | |
| NI | M0321209 | TIE-ELEC | 1 | EA | |
| 50 | PK030540 | DRAIN TUBE SXS's & 36BM | 1 | EA | |

CONTROL



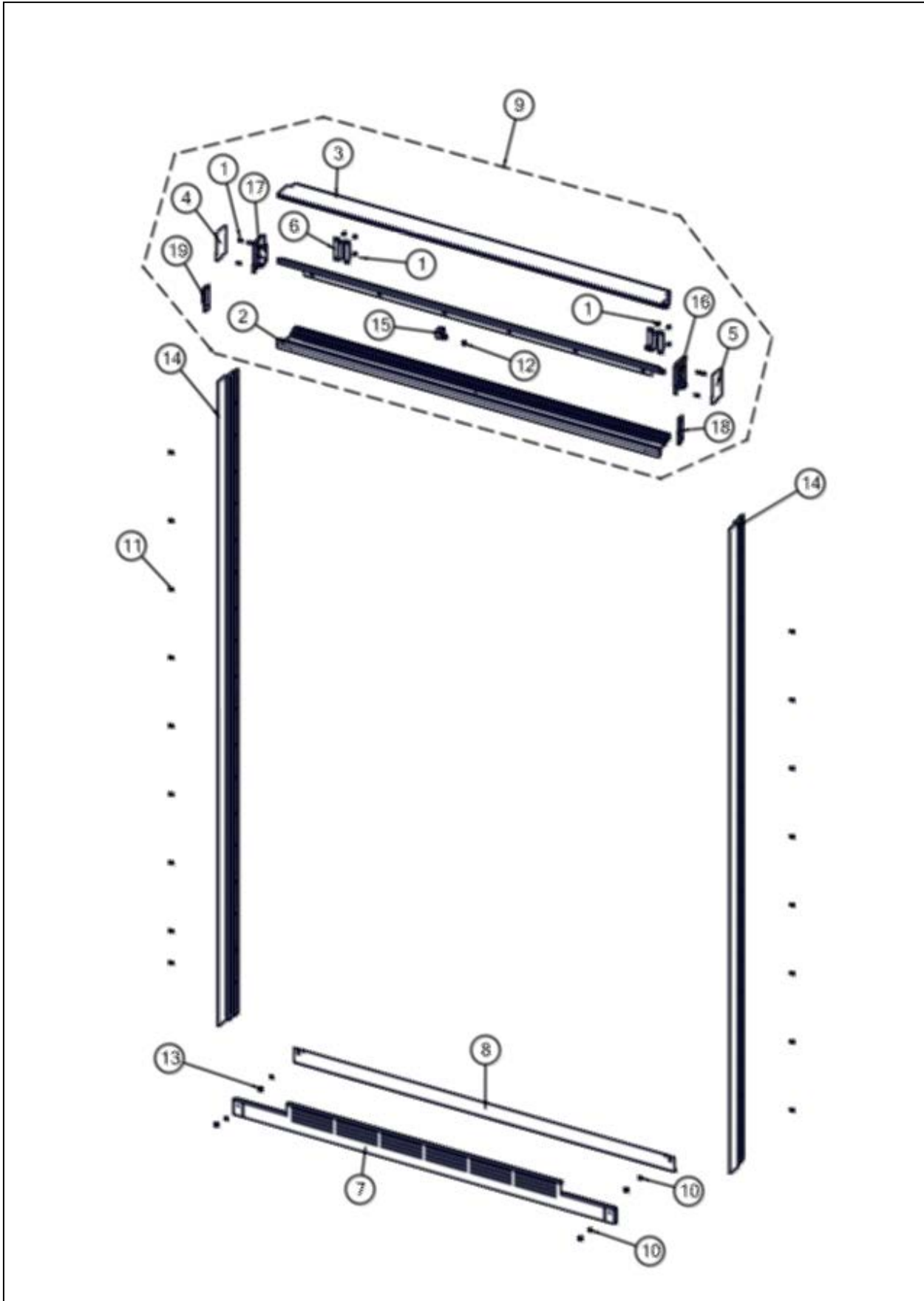


| Item | Part No. | Name | Qty | Uom | NOTES |
|---|------------|--|-----|-----|-------|
| 1 | K20915000 | CONTROL BOX TOP | 1 | EA | |
| 2 | 047016-000 | MOTOR CONTROL BOX | 1 | EA | |
| 3 | 025433-000 | BRACKET,SW,POWER | 1 | EA | |
| 4 | 005396-000 | FILM,PROTECTIVE | 1 | EA | |
| 5 | 044479-000 | MOTOR BRACKET PCB | 1 | EA | |
| 6 | 016930-000 | MOTR CONTROL BOX FRONT | 1 | EA | |
| 7 | 016593-000 | PANEL CONTROL SXS 48 | 1 | EA | |
| 8 | 054569-000 | OVERLAY SWITCH ASM 48 SXS NON-DISP | 1 | EA | |
| 9 | 046385-000 | CIRCUIT, LED SOFT START | 2 | EA | |
| 10 | A4554817 | BUSHING-SNAP VA4554817 | 2 | EA | |
| 11 | 005319-000 | POWER CONTROL BOARD ASM | 1 | EA | |
| Comments for Part Num. 005319-000 | | | | | |
| boltz on Apr 12, 2018 See TR-0056-SP Bulletin | | | | | |
| 12 | 057309-000 | BOARD, LOW VOLTAGE | 1 | EA | |
| Comments for Part Num. 057309-000 | | | | | |
| gboltz@VikingRange.com on Apr 29, 2019 SEE TTR-0010 for installation | | | | | |
| 13 | PE970464 | HARNESS LOW VOLT | 1 | EA | |
| 14 | A3030361 | GASKET RED | 1 | EA | |
| 15 | 046386-000 | TRANSFORMER, LED SOFT START | 2 | EA | |
| 16 | PD020194 | SCR, HEX SRTD WSHR HD, #8- 18 X 1/2 | 4 | EA | |
| 17 | PE970609 | HARNESS CONTROL BOARD | 1 | EA | |
| 18 | M0585504 | SUPPORT | 10 | EA | |
| 19 | 12064001 | SUPP-CONT PANEL | 2 | EA | |
| 20 | M0238859 | SCREW-SHLDR | 2 | EA | |
| 21 | PD020193 | SCR 8-18 X 3/8 | 8 | EA | |
| NI | 048643-000 | HARNESS, HIGH VOLTAGE | 1 | EA | |
| NI | 048680-000 | HARNESS, POWER SUPPLY, LED, BM/SXS | 1 | EA | |



| Item | Part No. | Name | Qty | Uom | NOTES |
|------|----------|-----------------------|-----|-----|-------|
| NI | A3189370 | GASKET-FOAM VA3189370 | 1 | EA | |

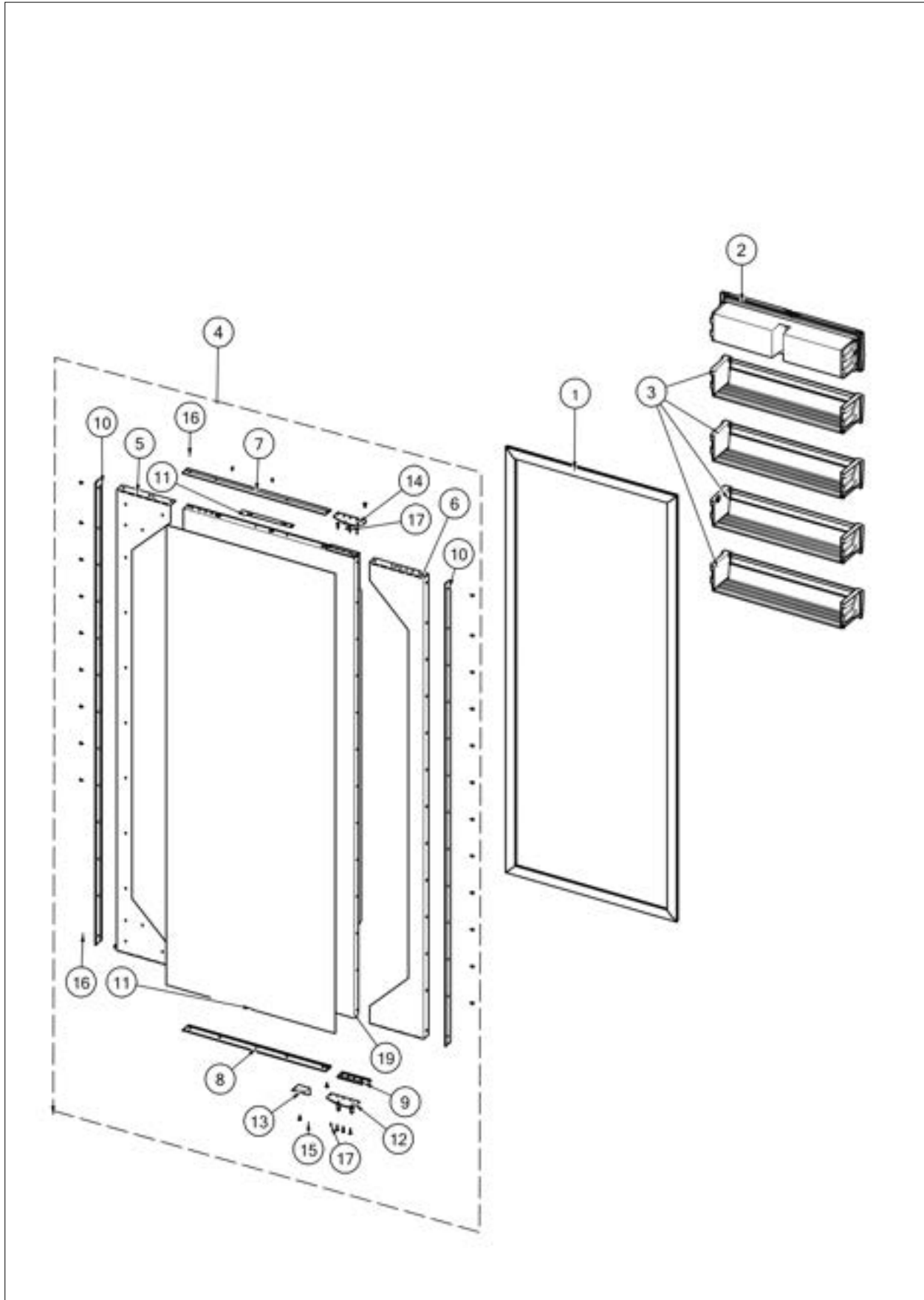
DECOR





| Item | Part No. | Name | Qty | Uom | NOTES |
|------|------------|--|-----|-----|-------|
| 1 | 003004-000 | 8 - 18 X 1/2 ZN/CLR PHIL FLAT TRIM HD #5 TYPE AB TAPPING SCREW | 14 | EA | |
| 2 | 016194-000 | GRILLE LOWER SXS 48 DES | 1 | EA | |
| 3 | 016197-000 | GRILLE UPPER SXS 48 DES | 1 | EA | |
| 4 | 033709-000 | ENDCAP, GRILLE, L, HINGE | 1 | EA | |
| 5 | 033729-000 | ENDCAP, GRILLE, R, HINGE | 1 | EA | |
| 6 | 042922-000 | BRACKET GRILLE | 2 | EA | |
| 7 | 045011-000 | VENT, TOE, GRILLE, 48 SXS | 1 | EA | |
| 8 | 045012-000 | SOLID, TOE, GRILLE, 48 SXS | 1 | EA | |
| 9 | 054021-000 | GRILLE, ASM, 48 SXS, FOL | 1 | EA | |
| 10 | 40370P01 | WASHER, FLAT | 4 | EA | |
| 11 | M0215318 | SCREW-SM | 17 | EA | |
| 12 | M0230028 | SCREW-TC | 1 | EA | |
| 13 | PD020032 | SRW-8(A)X3/8"PH.WFR HD 7/16DIA*NICL | 2 | EA | |
| 14 | PK920066 | TRIM, EXTRU, SIDE DES | 2 | EA | |
| 15 | PM910084 | SUPPORT GRILLE 12201201 | 1 | EA | |
| 16 | PM910348 | ENP CAP GRILLE R | 1 | EA | |
| 17 | PM910349 | END CAP GRILLE L | 1 | EA | |
| 18 | K2099470 | BRACKET GRILLE SUPPORT R | 1 | EA | |
| 19 | K2099471 | BRACKET GRILLE SUPPORT L | 1 | EA | |

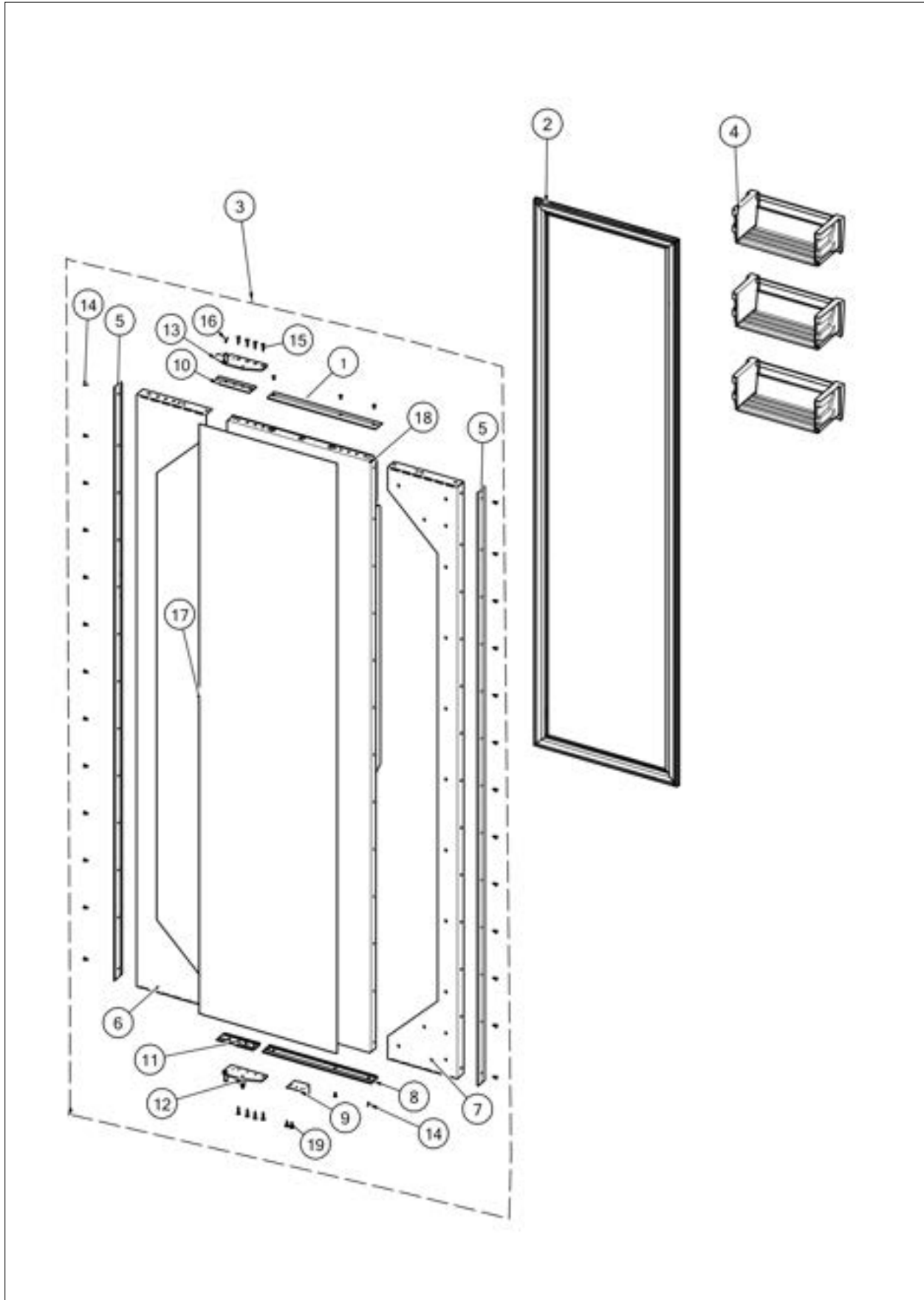
FRESH FOOD DOOR





| Item | Part No. | Name | Qty | Uom | NOTES |
|------|------------|--|-----|-----|--|
| 1 | 005454-000 | GASKET, ASM, 48, SXS, FF | 1 | EA | |
| 2 | V12203602 | DAIRY MODULE ASSY # | 1 | EA | |
| 3 | 036886-000 | DOORBIN ASM SXS 48 FF | 4 | EA | |
| 4 | 054019-000 | DOOR ASM COMPLETE SXS 48 FOL FF | 1 | EA | Not available online / Call for pricing and availability |
| 5 | 000950-000 | BRACKET,PNL,FULL OVERLAY | 1 | EA | |
| 6 | 007377-000 | BRACKET,SIDE,HINGE,FULL OVERLAY | 1 | EA | |
| 7 | 002297-000 | EXTRUSION,FOL, TOP,48 SXS FF | 1 | EA | |
| 8 | 004500-000 | EXTRUSION,FOL,BOT,48 FF | 1 | EA | |
| 9 | 034903-000 | EXTRUSION, FOL, PIVOT PLATE SPACER, LEFT | 1 | EA | |
| 10 | 000953-000 | EXTRUSION,FOL,SIDE | 2 | EA | |
| 11 | 008399-000 | SPACER,36,30,48FF,FOL | 2 | EA | |
| 12 | 044508-000 | PIVOT PLATE, LOWER, RH FOL | 1 | EA | |
| 13 | 044314-000 | STRIKER, DOOR SWITCH | 1 | EA | |
| 14 | 044505-000 | PIVOT PLATE, UPPER, RH FOL | 1 | EA | |
| 15 | M0210458 | SCR 8-18 X 5/8 WAFER PH SMS | 2 | EA | |
| 16 | M0215318 | SCREW-SM | 35 | EA | |
| 17 | PD920174 | 10X7/8 PHILLIPS SMA TRI LOBE SA | 8 | EA | |
| 18 | 003621-000 | SHEET,FOAM,30 AF/AR, 48 FF | 1 | EA | |
| 19 | 052655-000 | DOOR FOAM ASM SXS 48 FF | 1 | EA | |
| NI | 006908-000 | BRACKET,FOL,Z | 1 | EA | |
| NI | 002999-000 | COVER, SCR, RBR, GRAY FOL SXS | 1 | EA | |

FREEZER DOOR





| Item | Part No. | Name | Qty | Uom | NOTES |
|------|------------|---|-----|-----|--|
| 1 | 002301-000 | EXTRUSION,FOL,TOP,48 SXS FZ | 1 | EA | |
| 2 | 005455-000 | GASKET,ASM,48,SXS,FZ VID# 602711917-17 | 1 | EA | |
| 3 | 054020-000 | DOOR ASM COMPLETE SXS 48 FOL FZ | 1 | EA | Not available online / Call for pricing and availability |
| 4 | 036888-000 | DOORBIN ASM SXS FZ | 3 | EA | |
| 5 | 000953-000 | EXTRUSION,FOL,SIDE | 2 | EA | |
| 6 | 007377-000 | BRACKET,SIDE,HINGE,FULL OVERLAY | 1 | EA | |
| 7 | 000950-000 | BRACKET,PNL,FULL OVERLAY | 1 | EA | |
| 8 | 004501-000 | EXTRUSION,FOL,BOT,48 FZ | 1 | EA | |
| 9 | 044314-000 | STRIKER, DOOR SWITCH | 1 | EA | |
| 10 | 034903-000 | EXTRUSION, FOL, PIVOT PLATE SPACER, LEFT | 1 | EA | |
| 11 | 034902-000 | EXTRUSION, FOL, PIVOT PLATE SPACER, RIGHT | 1 | EA | |
| 12 | 044507-000 | PIVOT PLATE, LOWER, LH FOL | 1 | EA | |
| 13 | 044506-000 | PIVOT PLATE, UPPER, LH FOL | 1 | EA | |
| 14 | M0215318 | SCREW-SM | 31 | EA | |
| 15 | PD920174 | 10X7/8 PHILLIPS SMA TRI LOBE SA | 8 | EA | |
| 16 | PD020234 | SCREW THP 10-32 X .500 SS BO | 1 | EA | |
| 17 | 003620-000 | SHEET,FOAM,42/48 FZ | 1 | EA | |
| 18 | 052756-000 | DOOR FOAM ASM SXS 48 FZ | 1 | EA | |
| 19 | M0210458 | SCR 8-18 X 5/8 WAFER PH SMS | 2 | EA | |
| NI | 006908-000 | BRACKET,FOL,Z | 1 | EA | |
| NI | 002999-000 | COVER, SCR, RBR, GRAY FOL SXS | 1 | EA | |



Appendix A:Pages Index

CONTROL 5
DECOR 6
FREEZER DOOR 8
FREEZER INTERIOR 4
FRESH FOOD DOOR 7
FRESH FOOD INTERIOR 3
UNIT BOTTOM 1
UNIT TOP 2



Appendix B:Parts Index

| | | | |
|------------|------------|------------|------------|
| 000537-000 | 1 | 034903-000 | 7, 8 |
| 000538-000 | 1 | 036886-000 | 7 |
| 000570-000 | 1, 2 | 036888-000 | 8 |
| 000950-000 | 7, 8 | 042675-000 | 3 |
| 000953-000 | 7, 8 | 042764-000 | 3, 4 |
| 002297-000 | 7 | 042766-000 | 4 |
| 002301-000 | 8 | 042922-000 | 6 |
| 002329-000 | 4 | 043258-000 | 1 |
| 002999-000 | 7, 8 | 043261-000 | 1 |
| 003004-000 | 6 | 043371-000 | 2 |
| 003620-000 | 8 | 044026-000 | 1 |
| 003621-000 | 7 | 044034-000 | 1 |
| 003867-000 | 1 | 044046-000 | 1 |
| 004500-000 | 7 | 044314-000 | 7, 8 |
| 004501-000 | 8 | 044358-000 | 2 |
| 005319-000 | 5 | 044359-000 | 2 |
| 005396-000 | 5 | 044370-000 | 1 |
| 005454-000 | 7 | 044372-000 | 1 |
| 005455-000 | 8 | 044373-000 | 1 |
| 006908-000 | 7, 8 | 044374-000 | 1 |
| 007082-000 | 4 | 044377-000 | 1 |
| 007301-000 | 3 | 044479-000 | 5 |
| 007377-000 | 7, 8 | 044505-000 | 7 |
| 008399-000 | 7 | 044506-000 | 8 |
| 011059-000 | 3 | 044507-000 | 8 |
| 011332-000 | 1 | 044508-000 | 7 |
| 012259-000 | 3 | 044511-000 | 1 |
| 013112-000 | 1 | 044694-000 | 3, 4 |
| 013397-000 | 3 | 044939-000 | 1 |
| 014190-000 | 2 | 045011-000 | 6 |
| 014519-000 | 2 | 045012-000 | 6 |
| 016194-000 | 6 | 045819-000 | 3 |
| 016197-000 | 6 | 046062-000 | 1 |
| 016593-000 | 5 | 046063-000 | 1 |
| 016930-000 | 5 | 046358-000 | 3, 4 |
| 023112-000 | 4 | 046385-000 | 5 |
| 025433-000 | 5 | 046386-000 | 5 |
| 033709-000 | 6 | 047016-000 | 5 |
| 033729-000 | 6 | 048643-000 | 5 |
| 034902-000 | 8 | 048680-000 | 5 |
| | | 050903-000 | 2 |



| | | | |
|------------|------|-----------|---------------|
| 050926-000 | 2 | A3030303 | 4 |
| 051008-000 | 3 | A3030361 | 4, 5 |
| 052655-000 | 7 | A3189348 | 4 |
| 052700-000 | 2 | A3189370 | 2, 4, 5 |
| 052756-000 | 8 | A4554817 | 1, 5 |
| 053183-000 | 3 | B20915627 | 1 |
| 053191-000 | 4 | C2097183 | 4 |
| 053200-000 | 4 | C8983701 | 3, 4 |
| 053248-000 | 3 | F20915693 | 1 |
| 053258-000 | 3, 4 | F2096504 | 2 |
| 053261-000 | 1 | F2096507 | 2 |
| 053283-000 | 4 | F2097740 | 2 |
| 053301-000 | 4 | G32911938 | 3 |
| 053302-000 | 3 | G32913789 | 1 |
| 054019-000 | 7 | G50910020 | 4 |
| 054020-000 | 8 | G50911851 | 4 |
| 054021-000 | 6 | G50911853 | 1, 1 |
| 054407-000 | 2 | K20911831 | 1 |
| 054453-000 | 4 | K20913788 | 1 |
| 054569-000 | 5 | K20915000 | 5 |
| 057309-000 | 5 | K20915952 | 1 |
| 057731-000 | 4 | K2096456 | 4 |
| 057783-000 | 4 | K2096457 | 4 |
| 058966-000 | 4 | K2096458 | 4 |
| 059105-000 | 2 | K2096943 | 2 |
| 060890-000 | 1 | K2098044 | 1 |
| 060891-000 | 1 | K2098096 | 1 |
| 062775-000 | 2 | K2099454 | 2 |
| 068353-000 | 2 | K2099470 | 6 |
| 071770-006 | 3 | K2099471 | 6 |
| 071772-006 | 4 | L20914124 | 1 |
| 076048-000 | 4 | L2097181 | 4 |
| 10526701 | 4 | M0104102 | 1 |
| 10547001 | 2 | M0104106 | 1, 2 |
| 10629001 | 4 | M0210458 | 7, 8 |
| 10699601 | 2 | M0211021 | 4 |
| 12064001 | 5 | M0215318 | 3, 4, 6, 7, 8 |
| 12102501 | 4 | M0220417 | 1, 1 |
| 12258501 | 4 | M0221523 | 1 |
| 12304301 | 4 | M0230028 | 6 |
| 40370P01 | 6 | M0238535 | 4 |



| | | | |
|----------------|------------|-----------------|---|
| M0238859 | 4, 5 | PM910349 | 6 |
| M0253916 | 4 | PM910411 | 4 |
| M0321209 | 4 | V12203602 | 7 |
| M0322202 | 2 | | |
| M0581001 | 4, 4 | | |
| M0585504 | 5 | | |
| PA970012 | 1 | | |
| PB970187 | 2 | | |
| PB970188 | 2 | | |
| PC910015 | 1 | | |
| PD020032 | 6 | | |
| PD020193 | 5 | | |
| PD020194 | 1, 2, 4, 5 | | |
| PD020195 | 4 | | |
| PD020234 | 8 | | |
| PD020274 | 1 | | |
| PD030118 | 2 | | |
| PD030146 | 1 | | |
| PD030155 | 4 | | |
| PD920174 | 7, 8 | | |
| PD940094 | 1 | | |
| PD940107 | 1 | | |
| PE050248 | 1 | | |
| PE950149 | 2 | | |
| PE970464 | 5 | | |
| PE970609 | 5 | | |
| PJ910031 | 4 | | |
| PK030540 | 4 | | |
| PK920066 | 6 | | |
| PK930073 | 4 | | |
| PK930074 | 4 | | |
| PK930075 | 4 | | |
| PK930076 | 4 | | |
| PK930079 | 4 | | |
| PK930150 | 4 | | |
| PK930348 | 1 | | |
| PM010555 | 1 | | |
| PM010616 | 2 | | |
| PM910084 | 6 | | |
| PM910190 | 4 | | |
| PM910348 | 6 | | |