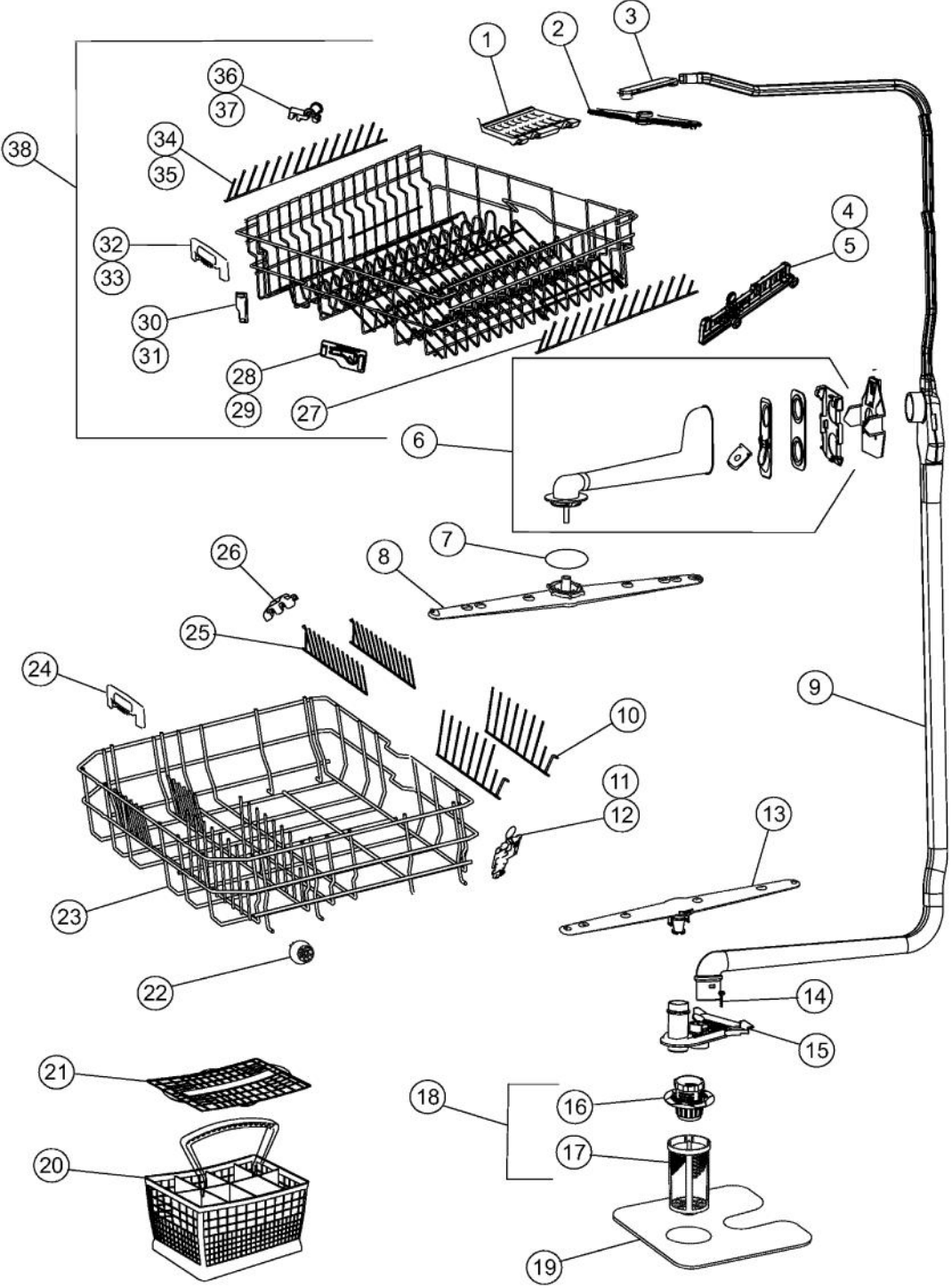
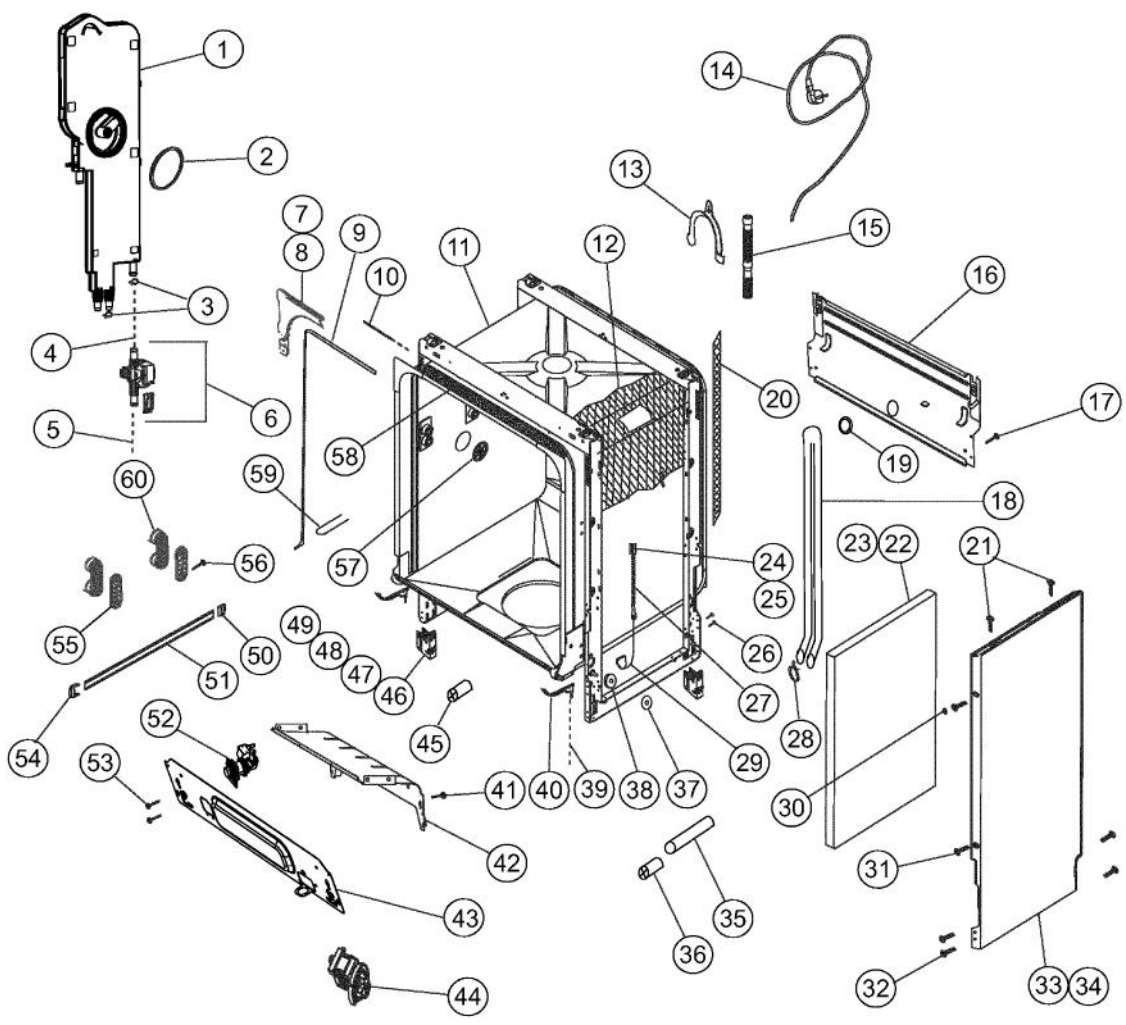


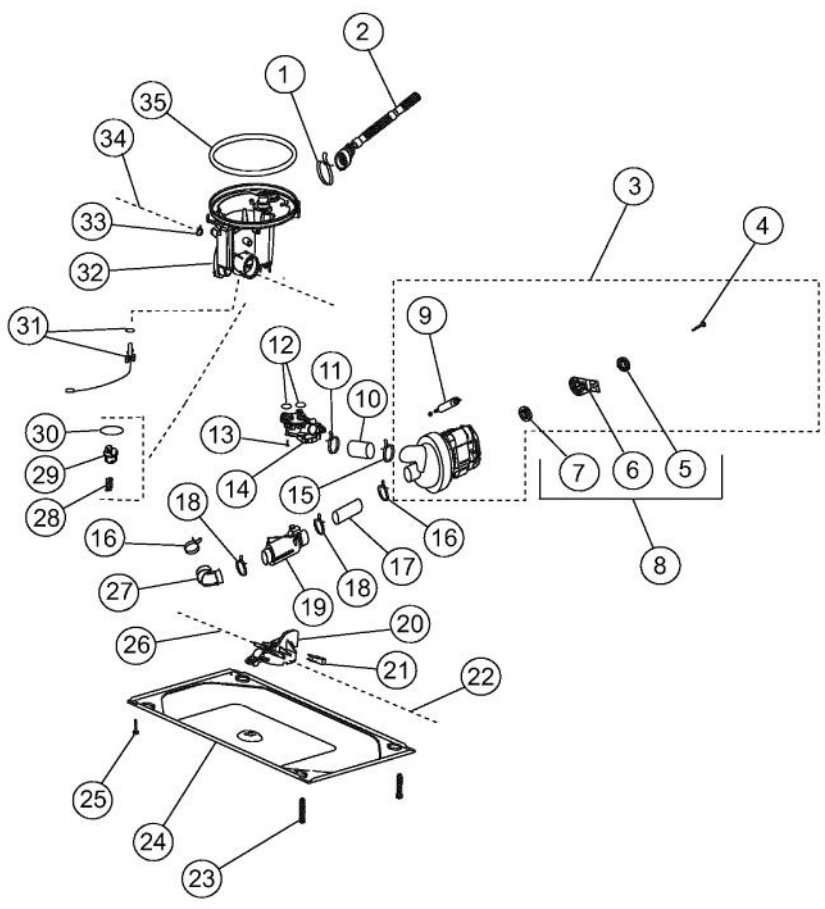
Ref #	Part Number	Qty.	Description
1	039755-000	1	PANEL GROUP
2	039884-000	1	ON OFF SWITCH
3	039799-000	1	ON OFF BUTTON
4	039798-000	1	CARD HOLDER-FRONT
5	039800-000	1	CARD HOLDER-BACK
6	039837-000	1	ELECTRONIC CARD GROUP
7	039879-000	4	SCREW
8	039852-000	1	CLAD F5 START STOP BUTTON PRINTED -BLACK
9	039851-000	1	F5 PRG. SECIM TUSU BASKILI - BLACK
10	039853-000	1	CLAD F5 HALF LOAD BUTOON PRINTED - BLACK
11	039854-000	1	CLAD F5 PROGRAM DELAY BUTTUN - BLACK
12	039718-000	1	NEW DOOR SWITCH
13	039778-000	1	DOOR LOCK GROUP
14	039754-000	1	CABLE HARNESS COMPLETE
15	039838-000	1	F5 CABLE HARNESS UL
16	039795-000	2	BUTTON GASKET
17	039797-000	1	DISPLAY CARD HOLDER-BACK
18	039794-000	1	DISPLAY CARD GROUP
19	039796-000	1	DISPLAY CARD HOLDER-FRONT
20	039932-000	1	DOOR INSULATION
21	039720-000	1	INNER DOOR GR
22	039914-000	6	SCREW
23	039916-000	4	SCREW
24	039912-000	2	INNER DOOR STOPER
25	039877-000	4	SCREW
26	039739-000	1	HINGE ARM-RIGHT
27	039738-000	1	HINGE ARM-LEFT
28	039908-000	1	DOOR SEALING GASKET - BOTTOM
29	039935-000	1	HINGE ARM SUPPORT
30	039917-000	21	BOLT M4X8 D3731 D3421
31	039903-000	1	DOOR INSULATION
32	039772-000	1	B_I OUTER DOOR TALL TUB
33	039946-000	1	DECORATIVE DOOR FIXATION SUPPORT
34	039876-000	22	SCREW
35	039924-000	1	PLINTH ADJUSTMENT SHEET-LEFT
36	039925-000	1	PLINTH ADJUSTMENT SHEET-RIGHT
37	039927-000	1	KICK PLATE SHEET
38	039926-000	1	KICK PLATE SHEET
39	039928-000	1	KICK PLATE ADJUSTING LOCKER
40	039773-000	1	KICK PLATE SHEET
41	039911-000	2	DECORATIVE DOOR FIXATION SUPPORT
42	039871-000	2	HOSE
43	040589-000	1	RINSE AID SWITCH
44	039713-000	1	RINSE AID GASKET
45	040590-000	1	COVER SPRING
46	039715-000	1	DETERGENT DISPENSER GROUP
47	039882-000	1	THERMOACTUATOR D3731 D3421
48	039714-000	1	DETERGENT DISPENSER GASKET
NI	041992-000	1	NAMEPLATE, VIKING, 4.500



Ref #	Part Number	Qty.	Description
1	039785-000	4	SHELF GROUP
2	039841-000	1	CEILING SPRAY GROUP
3	039847-000	1	CEILING SPRAY ARM FEED PIPE
4	039786-000	1	UPPER BASKET MECHANISM-LEFT
5	039787-000	1	UPPER BASKET MECHANISM-RIGHT
6	039862-000	1	UPPER SPRAY ARM FEED PIPE
7	039870-000	1	GASKET
8	039892-000	1	UPPER SPRAY ARM GROUP
9	039840-000	1	WATER SUPPLY TUBE GROUP
10	039788-000	2	PLATE HOLDER-LEFT
11	039856-000	1	LOWER BASKET FOLDING PART
12	039857-000	1	LOWER BASKET FOLDING PART
13	039896-000	1	LOWER SPRAY ARM GROUP
14	039945-000	5	SCREW
15	039734-000	1	FILTER SUPPORT GROUP
16	039729-000	1	COARSE FILTER
17	039728-000	1	MICRO FILTER GROUP
18	039733-000	1	FILTER GROUP
19	039730-000	1	METAL FILTER GROUP
20	039790-000	1	CUTLERY BASKET GROUP
21	039791-000	2	CUTLERY BASKET SEPARATOR
22	039930-000	8	LOWER BASKET WHEEL GROUP
23	039858-000	1	LOWER BASKET GROUP
24	039842-000	1	LOWER BASKET HANDLE
25	039789-000	2	PLATE HOLDER-RIGHT
26	039855-000	4	LOWER BASKET CLIPS
27	039780-000	2	CAD ITEM
28	039784-000	1	FOLDING PART
29	039782-000	1	FOLDING PART
30	039859-000	1	BOWL FOLDING PART
31	039860-000	1	BOWL FOLDING PART CLIPS RIGHT
32	039846-000	1	UPPER BASKET HANDLE GR
33	039845-000	1	UPPER BASKET HANDLE
34	039779-000	1	UPPER BASKET SUPPORT WIRE
35	039781-000	1	UPPER BASKET SUPPORT WIRE
36	039861-000	11	UPPER BASKET CLIPS
37	039783-000	1	FOLDING PART CLIPS RIGHT
38	039848-000	1	UPPER BASKET GROUP



Ref #	Part Number	Qty.	Description
1	039736-000	1	REGENERATION UNIT
2	039910-000	1	AIR FUNNEL GASKET
3	039958-000	1	HOSE CLAMP(+ 15_6)
4	039866-000	1	HOSE BETWEEN COUNTER AND REGENERATION U.
5	039867-000	1	HOSE
6	039864-000	1	COUNTER GROUP
7	039767-000	1	TOP CORNER BRACKET - LEFT
8	039768-001	1	TOP CORNER BRACKET - RIGHT
9	039769-000	1	DOOR SEALING GASKET
10	039904-000	1	NOISE ISOLATION FOR TUB RAL 7037.
11	039775-000	1	WELDED MECHANICAL GROUP
12	039774-000	1	INNER TUB ISOLATION
13	040591-000	1	DRAIN HOSE HOLDER
14	039949-000	1	MAIN PLUG EURO 220-230 V CANADA
15	039725-000	1	DRAIN HOSE
16	040592-000	1	REAR BOTTOM SUPPORT
17	039876-000	22	SCREW
18	039792-000	1	COLUMN ASSY
19	039918-000	2	DRAIN HOSE HOLDER 7037
20	039922-000	1	REAR FRAME COTTON FLEECE
21	039876-000	22	SCREW
22	039888-000	2	NOISE ISOLATION
23	039760-000	2	NOISE ISOLATION
24	039763-000	1	DOOR ADJUSTMENT GROUP-LEFT
25	039764-000	1	DOOR ADJUSTMENT GROUP
26	039917-000	21	BOLT M4X8 D3731 D3421
27	039895-000	2	HINGE SPRING
28	039952-000	2	HOSE CLAMP (+ 28_7)
29	039894-000	2	HINGE ROPE GROUP
30	039905-000	2	SCREW CAP SIDE WALLS
31	039876-000	22	SCREW
32	039770-000	1	SIDE PANEL-LEFT
34	039771-000	1	SIDE PANEL-RIGHT
35	039938-000	2	REAR ADJUSTABLE FOOT CONNECTION PART
36	039937-000	2	REAR ADJUSTABLE FOOT CONNECTION PART
37	039883-000	2	WASHER
38	039893-000	2	HINGE WHEEL
39	039872-000	1	HOSE
40	039921-000	2	OVERFLOW SIPHON
41	039917-000	21	BOLT M4X8 D3731 D3421
42	039885-000	1	LOWER SUPPORT - FRONT
43	039773-000	1	KICK PLATE SHEET
44	039758-000	1	DRAIN PUMP GROUP
45	039765-000	2	DOOR ADJUSTING ADAPTOR
46	039943-000	1	REAR FEET ADJUSTABLE-LEFT BACK
47	039942-000	1	FOOT GROUP-ADJUSTABLE-LEFT-FRONT
48	039941-000	1	FOOT GROUP-ADJUSTABLE-RIGHT-BACK
49	039898-000	1	FOOT SUPPORT PART
50	039891-000	2	RAIL CAP
51	039887-000	2	RAIL
52	039756-000	1	WATER INLET VALVE
53	039761-000	2	SCREW
54	039717-000	2	RAIL CAP
55	039777-000	4	RAIL WHEEL HOLDER
56	039766-000	8	RAIL WHEEL SCREW
57	039909-000	1	AIR FUNNEL COVER
58	039923-000	1	DOOR LOCK COTTON FLEECE
59	039901-000	1	DOOR LOCK HOOK
60	039793-000	4	RAIL WHEEL GROUP



Ref #	Part Number	Qty.	Description
1	039954-000	1	HOSE CLAMP
2	039726-000	1	DRAIN HOSE
3	039732-000	1	MOTOR & SPRAY PUMP
4	039915-000	1	SCREW
5	039890-000	1	MOTOR FIXING CAP
6	039724-000	1	MOTOR BRACKET GROUP
7	039897-000	1	DAMPENING RUBBER
8	039731-000	1	MOTOR BRACKET GROUP
9	039759-000	1	CAPACITOR
10	039727-000	1	HOSE
11	039953-000	1	HOSE CLAMP.(+ 34_1)
12	039902-000	2	O-RING (FLOW DIVERTER)
13	039880-000	4	SCREW
14	039863-000	1	THREE WAY VALVE
15	039957-000	2	HOSE CLAMP
16	039955-000	1	HOSE CLAMP
17	039716-000	1	PUMP INLET HOSE
18	039955-000	1	HOSE CLAMP
19	039757-000	1	FLOW THROUGH HEATER
20	039934-000	1	OVERFLOW FLOAT GROUP
21	039913-000	1	MICRO SWITCH
22	039872-000	1	HOSE
23	039889-000	4	FOOT GROUP-ADJUSTABLE
24	039886-000	1	BOTTOM TRAY
25	039876-000	22	SCREW
26	039873-000	1	HOSE
27	039723-000	1	HOSE BETWEEN SUMP AND HEATER
28	039950-000	1	TURBIDITY CARD AND LED HOLDER GR
29	039900-000	1	TURBIDITY FRAME
30	039868-000	1	O-RING (TURBIDITY)
31	039933-000	1	NTC GROUP
32	039735-000	1	SUMP GROUP
33	039951-000	1	HOSE CLAMP (DIA 17.3)
34	039874-000	1	HOSE
35	039722-000	1	SUMP GASKET

*No Image
Available*

Ref #	Part Number	Qty.	Description
NI	046542-000	1	ACCESSORIES