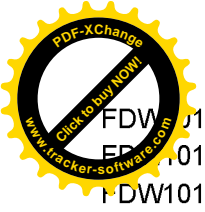
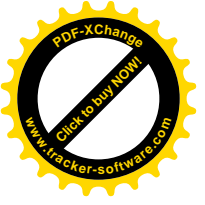


FDW101 Dishwasher

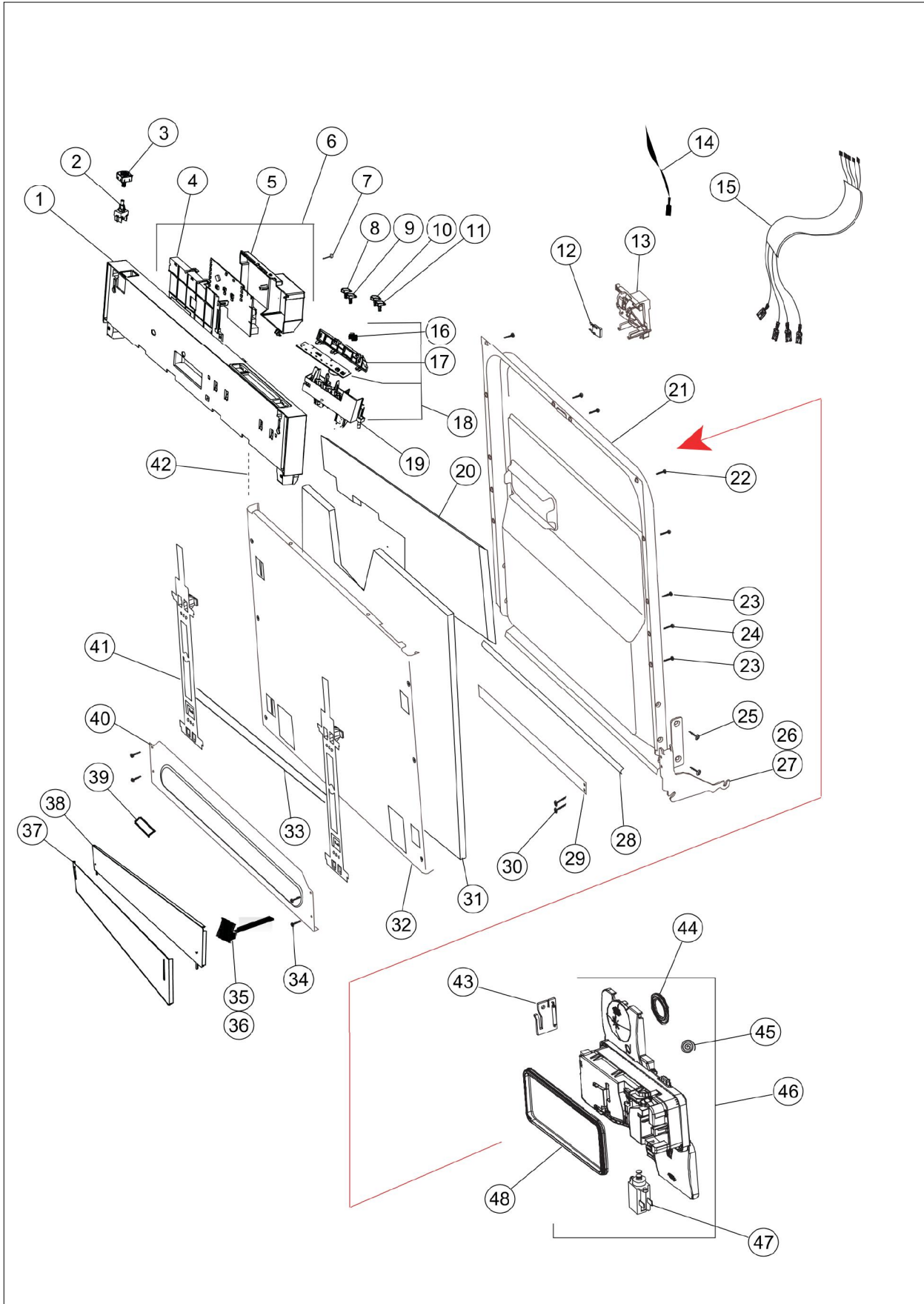
Parts Breakdown



FDW101 Door Group	3
FDW101 Inner Tub Assy	4
FDW101 Pump Assy components	5
FDW101 Main Assy Components	4
FDW101-102-300 OUTER DOOR PARTS	5
Appendix A:Pages Index	A
Appendix B:Parts Index	B

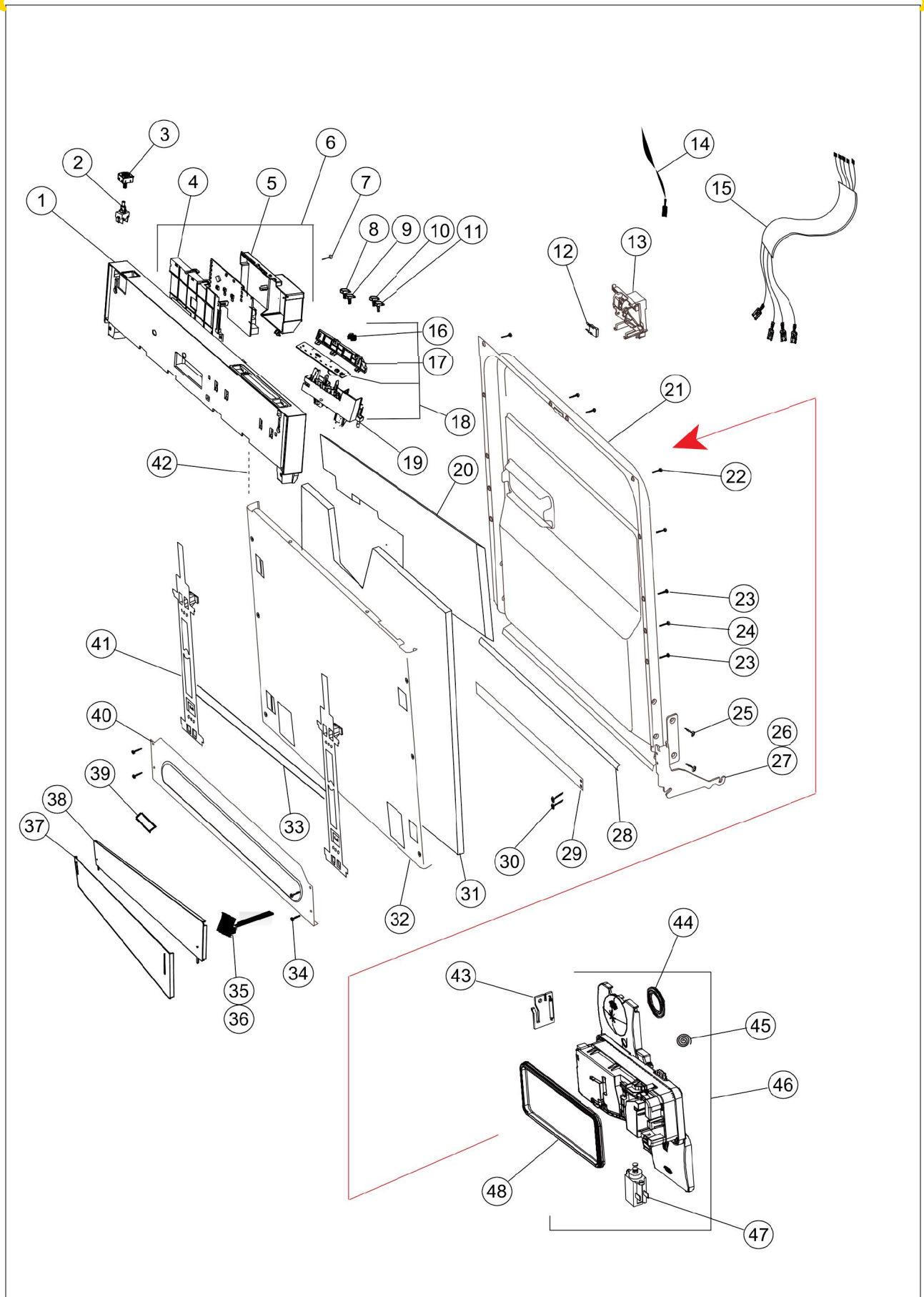


FDW101 Door Group





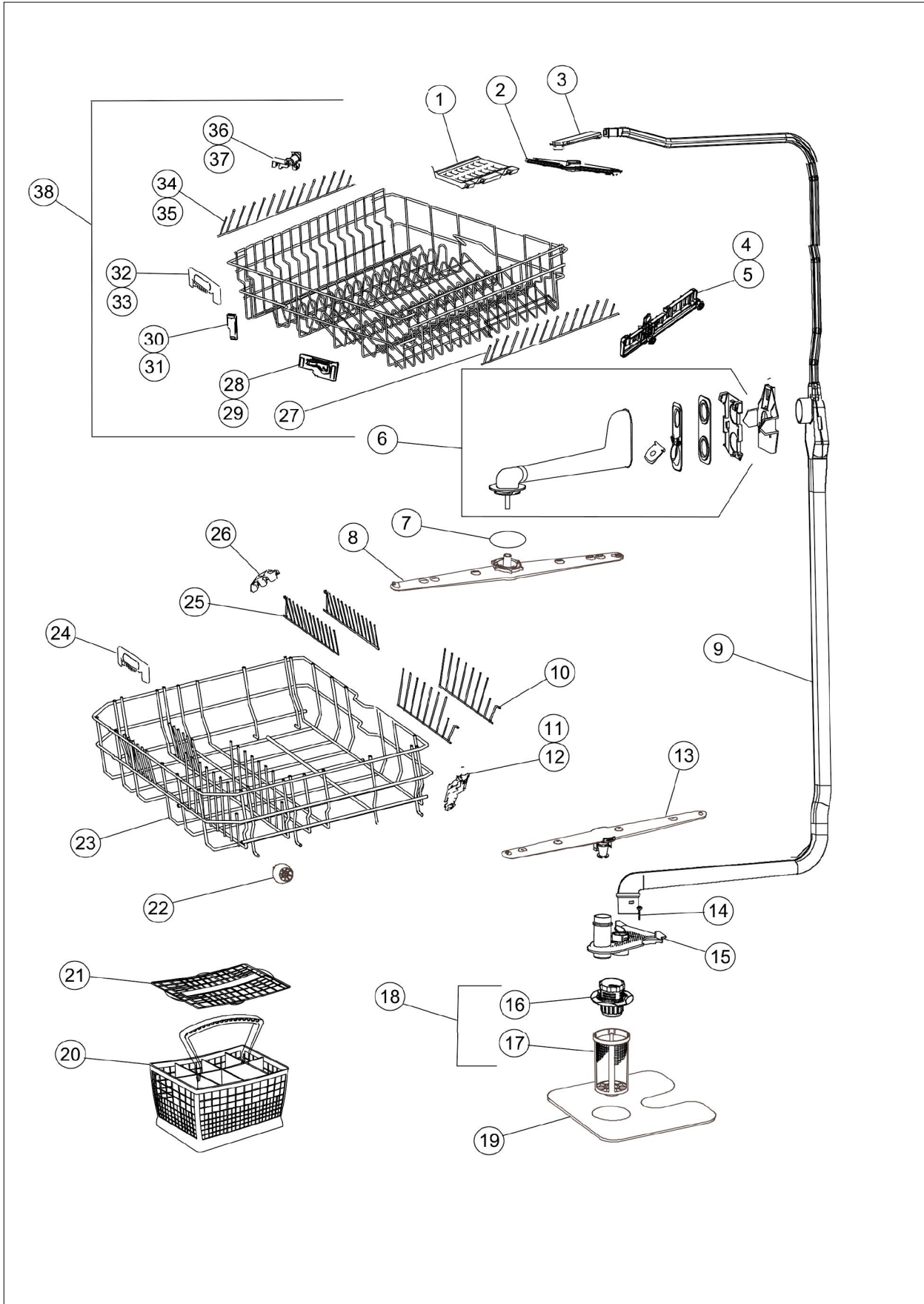
Item	Part No.	Name	Qty	Uom	NOTES
1	039755-000	PANEL GROUP	1	EA	
2	039884-000	ON OFF SWITCH	1	EA	
3	039799-000	ON OFF BUTTON	1	EA	
4	039798-000	CARD HOLDER-FRONT	1	EA	
5	039800-000	CARD HOLDER-BACK	1	EA	
6	039837-000	ELECTRONIC CARD GROUP	1	EA	
7	039879-000	SCREW	4	EA	
8	039852-000	CLAD F5 START STOP BUTTON PRINTED -BLACK	1	EA	
9	039851-000	F5 PRG. SECIM TUSU BASKILI - BLACK	1	EA	
10	050826-000	CLAD F5 HALF LOAD BUTOON PRINTED - BLACK	1	EA	
11	039854-000	CLAD F5 PROGRAM DELAY BUTTON - BLACK	1	EA	
12	059878-000	NEW DOOR SWITCH	1	EA	
13	057515-000	DOOR LOCK GROUP	1	EA	
14	057525-000	CABLE HARNESS COMPLETE	1	EA	
15	039838-000	F5 CABLE HARNESS UL	1	EA	
16	039795-000	BUTTON GASKET	2	EA	
17	039797-000	DISPLAY CARD HOLDER-BACK	1	EA	
18	050827-000	DISPLAY CARD GROUP	1	EA	
19	039796-000	DISPLAY CARD HOLDER- FRONT	1	EA	
20	039932-000	DOOR INSULATION	1	EA	
21	039720-000	INNER DOOR GR	1	EA	
22	039914-000	SCREW	6	EA	
23	039916-000	SCREW	4	EA	
24	039912-000	INNER DOOR STOPER	2	EA	
25	039877-000	SCREW	4	EA	
26	039739-000	HINGE ARM RIGHT	1	EA	
27	039738-000	HINGE ARM LEFT	1	EA	
28	039908-000	DOOR SEALING GASKET	1	EA	
29	039935-000	HINGE ARM SUPPORT	1	EA	
30	039917-000	BOLT M4X8 D3731 D3421	21	EA	

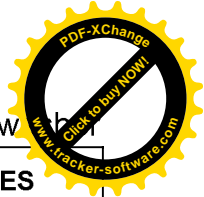




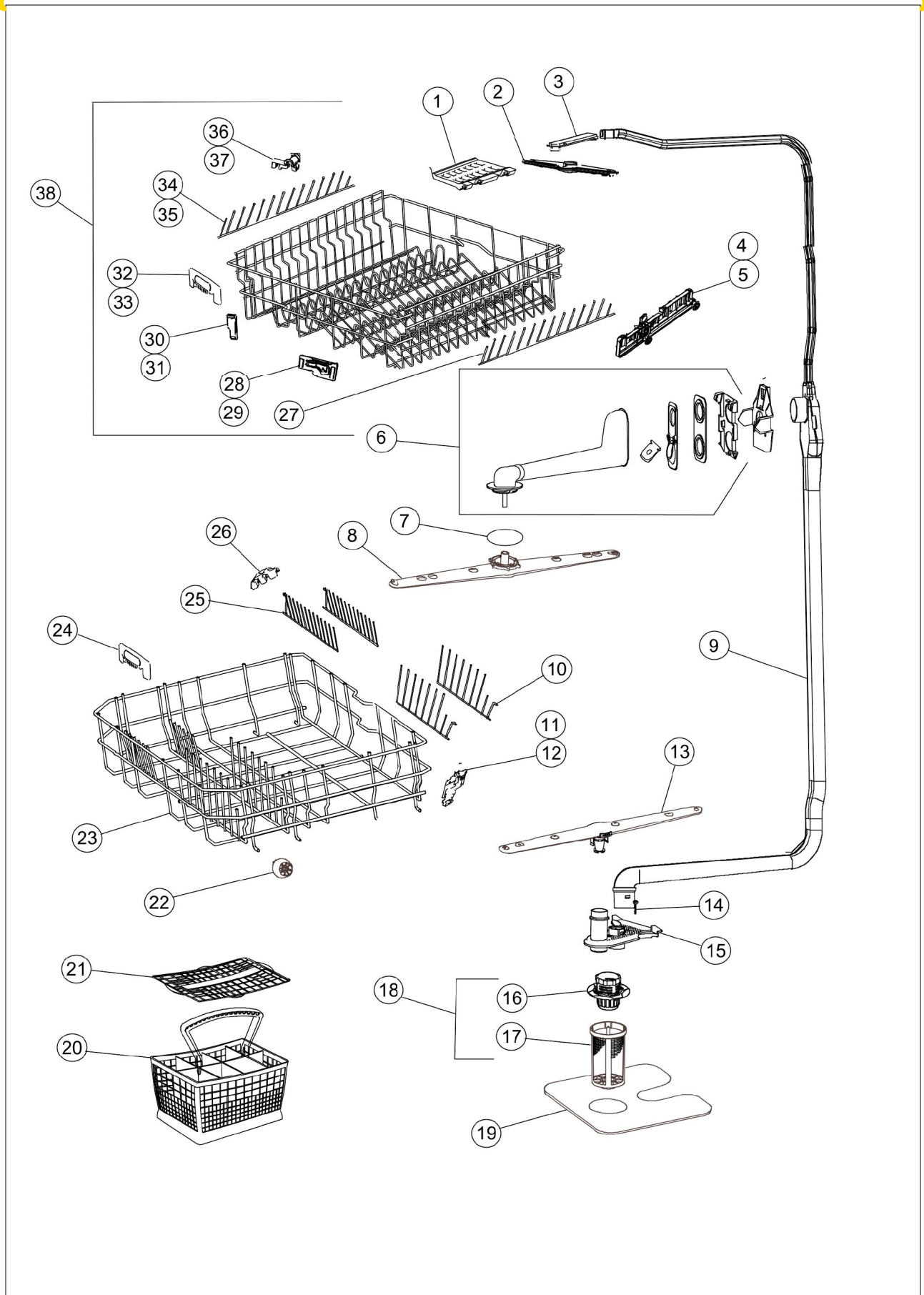
Item	Part No.	Name	Qty	Uom	NOTES
31	039903-000	DOOR INSULATION	1	EA	
32	039772-000	B_I OUTER DOOR TALL TUB	1	EA	
33	039946-000	DECORATIVE DOOR FIXATION SUPPORT	1	EA	
34	039876-000	SCREW	22	EA	
35	039924-000	PLINTH ADJUSTMENT SHEET LEFT	1	EA	
36	039925-000	PLINTH ADJUSTMENT SHEET RIGHT	1	EA	
37	060210-000	KICK PLATE SHEET	1	EA	
38	039926-000	KICK PLATE SHEET	1	EA	
39	039928-000	KICK PLATE ADJUSTING LOCKET	1	EA	
40	039773-000	KICK PLATE SHEET	1	EA	
41	039911-000	DECORATIVE DOOR FIXATION SUPPORT	2	EA	
42	039871-000	HOSE	2	EA	
43	040589-000	RINSE AID SWITCH	1	EA	
44	039713-000	RINSE AID GASKET	1	EA	
45	040590-000	COVER SPRING	1	EA	
46	039715-000	DETERGENT DISPENSER GROUP	1	EA	
47	039882-000	THERMOACTUATOR D3731 D3421	1	EA	
48	039714-000	DETERGENT DISPENSER GASKET	1	EA	
NI	041992-000	NAMEPLATE, VIKING, 4.500"	1	EA	

FDW101 Inner Tub Assy





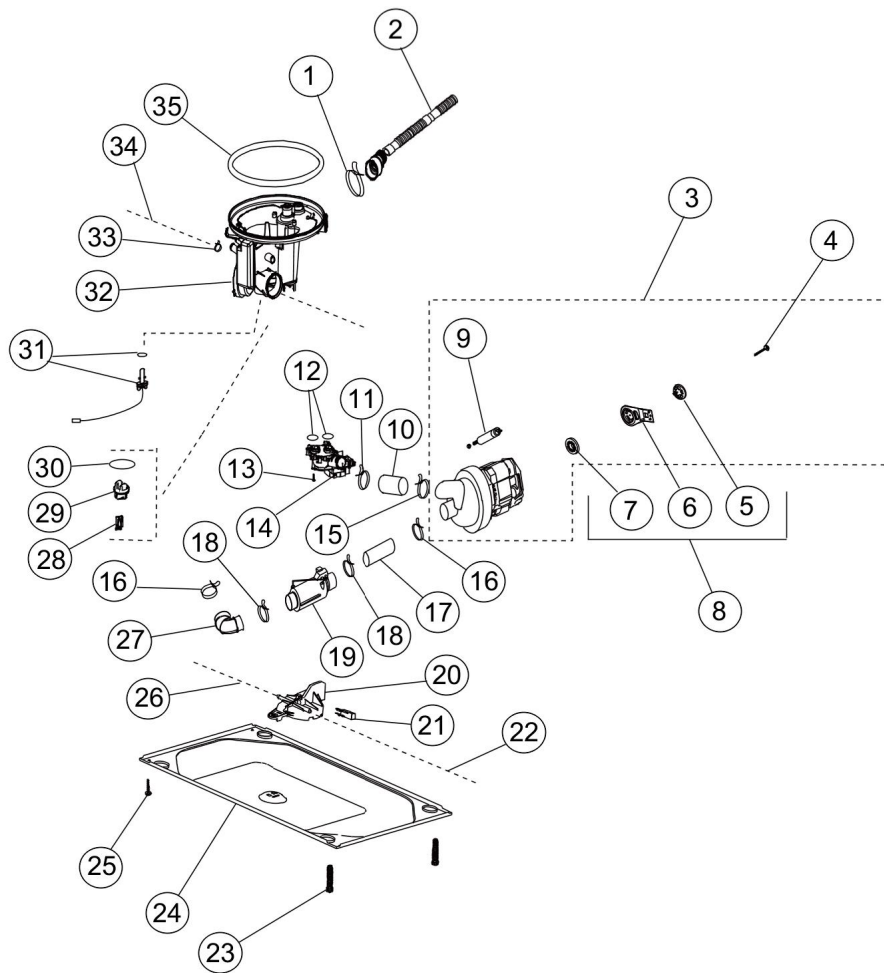
Item	Part No.	Name	Qty	Uom	NOTES
1	039785-000	SHELF GROUP	4	EA	
2	039841-000	CEILING SPRAY GROUP	1	EA	
3	039847-000	CEILING SPRAY ARM FEED PIPE	1	EA	
4	039786-000	UPPER BASKET MECHANISM-LEFT	1	EA	
5	039787-000	UPPER BASKET MECHANISM-RIGHT	1	EA	
6	039862-000	UPPER SPRAY ARM FEED PIPE	1	EA	
7	039870-000	GASKET	1	EA	
8	039892-000	UPPER SPRAY ARM GROUP	1	EA	
9	039840-000	WATER SUPPLY TUBE GROUP	1	EA	
10	039788-000	PLATE HOLDER-LEFT	2	EA	
11	039856-000	LOWER BASKET FOLDING PART	1	EA	
12	039857-000	LOWER BASKET FOLDING PART	1	EA	
13	039896-000	LOWER SPRAY ARM GROUP	1	EA	
14	039945-000	SCREW	5	EA	
15	039734-000	FILTER SUPPORT GROUP	1	EA	
16	039729-000	COARSE FILTER	1	EA	
17	039728-000	MICRO FILTER GROUP	1	EA	
18	039733-000	FILTER GROUP	1	EA	
19	039730-000	METAL FILTER GROUP	1	EA	
20	039790-000	CUTLERY BASKET GROUP	1	EA	
21	039791-000	CUTLERY BASKET SEPARATOR	2	EA	
22	039930-000	LOWER BASKET WHEEL GROUP	8	EA	
23	039858-000	LOWER BASKET GROUP	1	EA	
24	039842-000	LOWER BASKET HANDLE	1	EA	
25	039789-000	PLATE HOLDER-RIGHT	2	EA	
26	039855-000	LOWER BASKET CLIPS	4	EA	
27	057522-000	CAD ITEM	2	EA	
28	050820-000	GRD FOLDING PART	1	EA	
29	039782-000	FOLDING PART	1	EA	





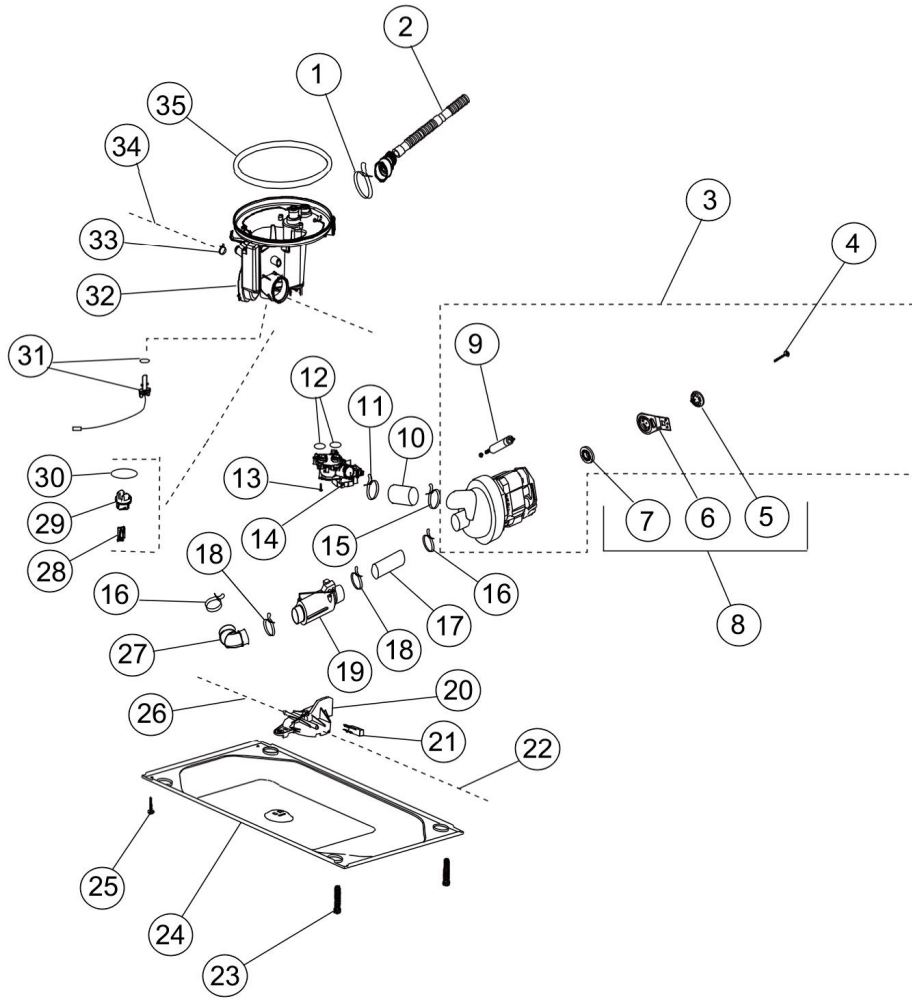
Item	Part No.	Name	Qty	Uom	NOTES
30	039859-000	BOWL FOLDING PART	1	EA	
31	039860-000	BOWL FOLDING PART CLIPS RIGHT	1	EA	
32	039846-000	UPPER BASKET HANDLE GR	1	EA	
33	039845-000	UPPER BASKET HANDLE	1	EA	
34	057519-000	UPPER BASKET SUPPORT WIRE	1	EA	Not available online / Call for pricing and availability
35	050819-000	UPPER BASKET SUPPORT WIRE	1	EA	
36	039861-000	UPPER BASKET CLIPS	11	EA	
37	039783-000	FOLDING PART CLIPS RIGHT	1	EA	
38	057518-000	UPPER BASKET GROUP	1	EA	

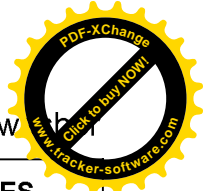
FDW101 Pump Assy components





Item	Part No.	Name	Qty	Uom	NOTES
1	039954-000	Hose Clamp	1	EA	
2	039726-000	DRAIN HOSE	1	EA	
Comments for Part Num. 039726-000					
bradleysapplianceservice@shaw.ca on Jul 15, 2016					
IF LONG EXTERIOR DRAIN HOSE IS REQUIRED - FROM BACK OF DISHWASHER TO DRAIN OUTLET - ORDER PART NUMBER: 039726-000 DRAIN HOSE					
IF SUMP TO BACK OF UNIT DRAIN HOSE IS REQUIRED - INSIDE OF UNIT - ORDER PART NUMBER: 039725-000 SUMP DRAIN HOSE (16 INCHES LONG)					
Reply by profixappliances@gmail.com on Dec 12, 2017					
Thank you for the clarification!					
3	039732-000	MOTOR & SPRAY PUMP	1	EA	
4	039915-000	SCREW	1	EA	
5	039890-000	MOTOR FIXING CAP	1	EA	
6	039724-000	MOTOR BRACKET GROUP	1	EA	
7	039897-000	DAMPENING RUBBER	1	EA	
8	039731-000	MOTOR BRACKET GROUP	1	EA	
9	039759-000	CAPACITOR	1	EA	
10	039727-000	HOSE	1	EA	
11	039953-000	HOSE CLAMP.(+ 34_1)	1	EA	
12	039902-000	O-RING (FLOW DIVERTER)	2	EA	
13	039880-000	SCREW	4	EA	
14	039863-000	THREE WAY VALVE	1	EA	
15	039957-000	HOSE CLAMP	2	EA	
16	039955-000	HOSE CLAMP	1	EA	
17	039716-000	PUMP INLET HOSE	1	EA	
18	039955-000	HOSE CLAMP	1	EA	
19	039757-000	FLOW THROUGH HEATER	1	EA	
20	039934-000	OVERFLOW FLOAT GROUP	1	EA	
21	039913-000	MICRO SWITCH	1	EA	
22	039872-000	HOSE	1	EA	
23	039889-000	FOOT GROUP-ADJUSTABLE	4	EA	
24	039886-000	BOTTOM TRAY	1	EA	
25	039876-000	SCREW	22	EA	

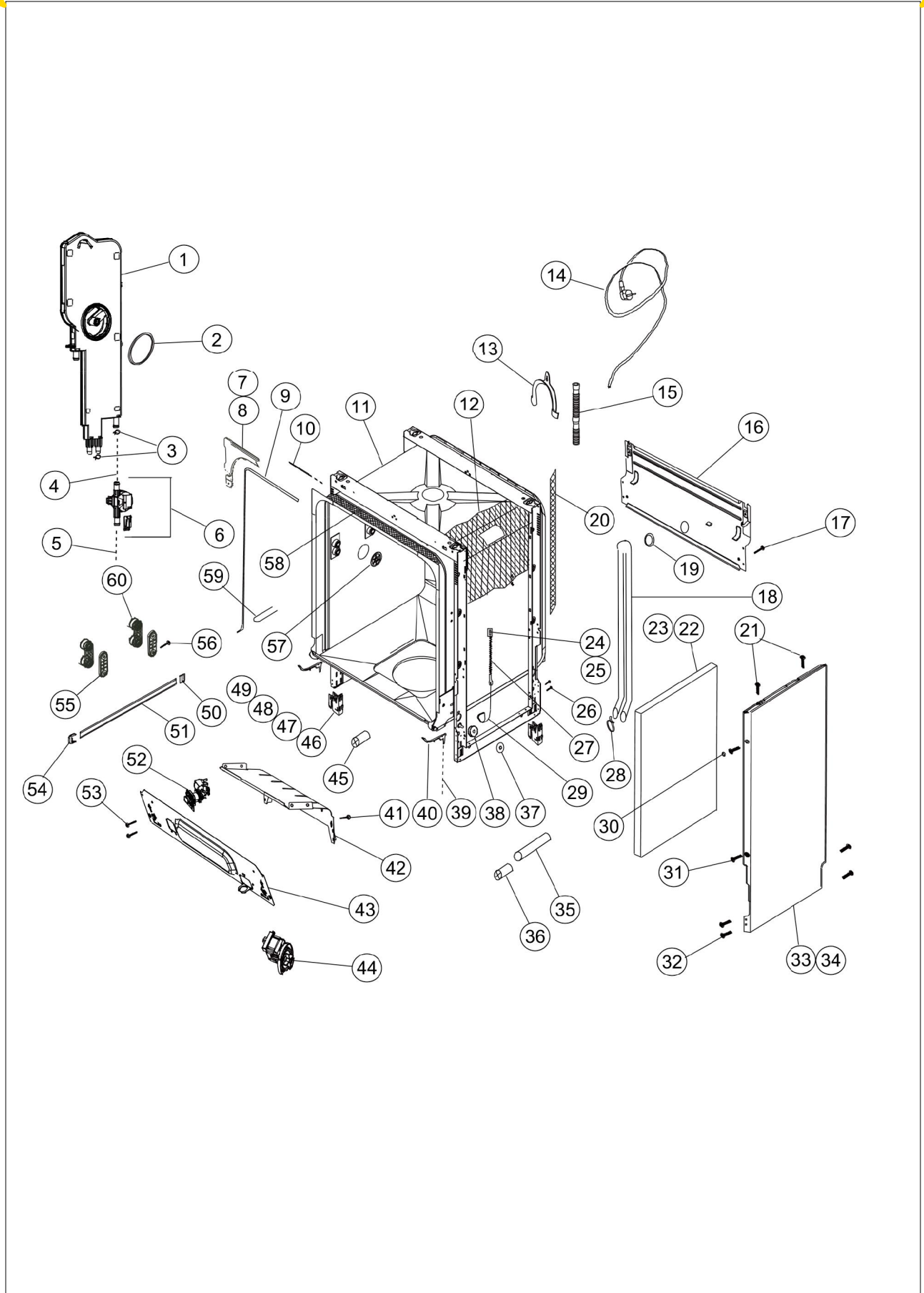


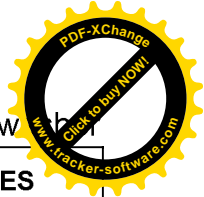


Item	Part No.	Name	Qty	Uom	NOTES
26	039873-000	HOSE	1	EA	
27	039723-000	HOSE BETWEEN SUMP AND HEATER	1	EA	
28	039950-000	TURBIDITY CARD AND LED HOLDER GR	1	EA	
29	039900-000	TURBIDITY FRAME	1	EA	
30	039868-000	O-RING (TURBIDITY)	1	EA	
31	039933-000	NTC GROUP	1	EA	
32	039735-000	SUMP GROUP	1	EA	
33	039951-000	HOSE CLAMP (DIA 17.3)	1	EA	
34	039874-000	HOSE	1	EA	
35	039722-000	SUMP GASKET	1	EA	
NI	057528-000	Hose clamp with screw	1	EA	
NI	057531-000	Bolt	1	EA	

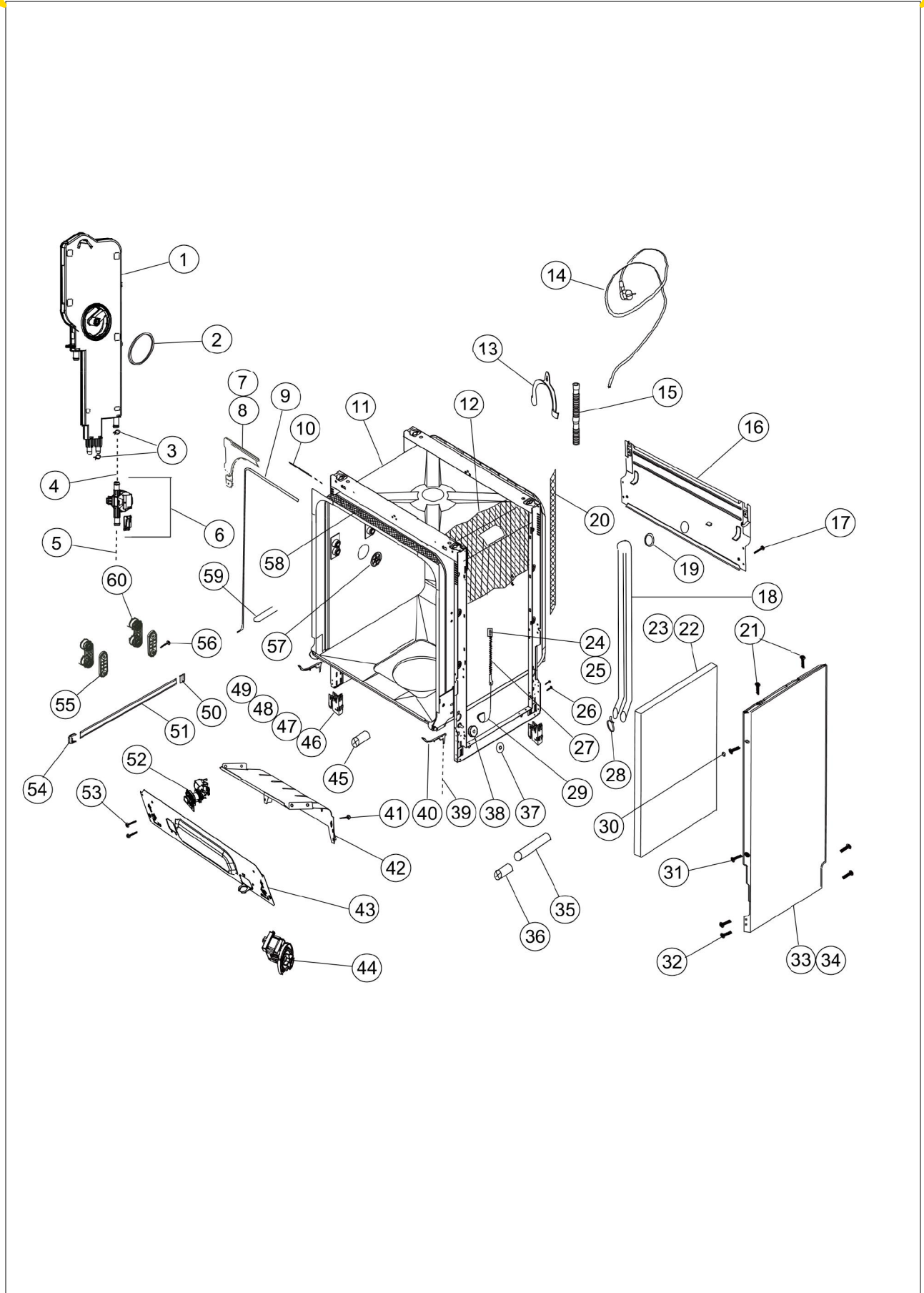


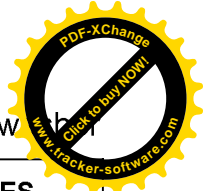
Item	Part No.	Name	Qty	Uom	NOTES
1	061486-000	REGENERATION UNIT	1	EA	
2	039910-000	AIR FUNNEL GASKET	1	EA	
<p>Comments for Part Num. 039910-000</p> <p>bradleysapplianceservice@shaw.ca on Feb 28, 2017 SUBS TO: 039910-000 AIR FUNNEL GASKET</p>					
3	039958-000	HOSE CLAMP (Ø 15.88)	1	EA	
4	039866-000	HOSE BETWEEN COUNTER AND REGENERATION U.	1	EA	
5	039867-000	HOSE	1	EA	
6	050887-000	COUNTER GROUP	1	EA	
7	039767-000	TOP CORNER BRACKET - LEFT	1	EA	
8	039768-000	TOP CORNER BRACKET - RIGHT	1	EA	
9	039769-000	DOOR SEALING GASKET	1	EA	
10	039904-000	NOISE ISOLATION FOR TUB RAL 7037.	1	EA	
11	039775-000	WELDED MECHANICAL GROUP	1	EA	
12	039774-000	INNER TUB ISOLATION	1	EA	
13	040591-000	Drain Hose Holder	1	EA	
14	039949-000	MAIN PLUG EURO 120 V CANADA	1	EA	
15	039725-000	DRAIN HOSE	1	EA	
<p>Comments for Part Num. 039725-000</p> <p>profixappliances@gmail.com on Dec 12, 2017 Per Bradleysapplianceservice: IF LONG EXTERIOR DRAIN HOSE IS REQUIRED - FROM BACK OF DISHWASHER TO DRAIN OUTLET - ORDER PART NUMBER: 039726-000 DRAIN HOSE IF SUMP TO BACK OF UNIT DRAIN HOSE IS REQUIRED - INSIDE OF UNIT - ORDER PART NUMBER: 039725-000 SUMP DRAIN HOSE (16 INCHES LONG)</p>					
16	040592-000	REAR BOTTOM SUPPORT	1	EA	
17	039876-000	SCREW	22	EA	
18	039792-000	COLUMN ASSY	1	EA	
19	039918-000	DRAIN HOSE HOLDER 7037	2	EA	
20	039922-000	REAR FRAME COTTON FLEECE	1	EA	





Item	Part No.	Name	Qty	Uom	NOTES
21	039876-000	SCREW	22	EA	
22	057529-000	NOISE ISOLATION	2	EA	
Not Shown	NOTE	SLIDES ON TRIM OF TUB		EA	
23	039760-000	NOISE ISOLATION	2	EA	
Not Shown	NOTE	STICKS ON SIDE OF UNIT		EA	
24	039763-000	DOOR ADJUSTMENT GROUP-LEFT	1	EA	
25	039764-000	DOOR ADJUSTMENT GROUP-RIGHT	1	EA	
26	039917-000	BOLT M4X8 D3731 D3421	21	EA	
27	039895-000	HINGE SPRING	2	EA	
28	039952-000	HOSE CLAMP (Ø 28_7)	2	EA	
29	039894-000	HINGE ROPE GROUP	2	EA	
30	039905-000	SCREW CAP SIDE WALLS	2	EA	
31	039876-000	SCREW	22	EA	
32	057516-000	SIDE PANEL-LEFT	1	EA	
34	057517-000	SIDE PANEL-RIGHT	1	EA	
35	039938-000	REAR ADJUSTABLE DOOR CONNECTION PART	2	EA	
36	039937-000	REAR ADJUSTABLE FOOT CONNECTION PART	2	EA	
37	039883-000	WASHER	2	EA	
38	039893-000	HINGE WHEEL	2	EA	
39	039872-000	HOSE	1	EA	
40	039921-000	OVERFLOW SIPHON	2	EA	
41	039917-000	BOLT M4X8 D3731 D3421	21	EA	
42	039885-000	LOWER SUPPORT - FRONT	1	EA	
43	039773-000	KICK PLATE SHEET	1	EA	
44	039758-000	DRAIN PUMP GROUP	1	EA	
45	039765-000	DOOR ADJUSTING ADAPTOR	2	EA	
46	039943-000	Rear feet Adjustable LEFT BACK	1	EA	
47	039942-000	FOOT GROUP-ADJUSTABLE-LEFT-FRONT	1	EA	
48	039941-000	FOOT GROUP-ADJUSTABLE-RIGHT-BACK	1	EA	





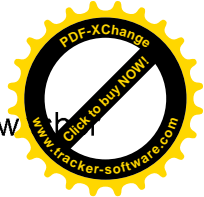
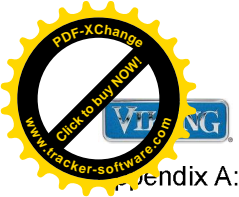
Item	Part No.	Name	Qty	Uom	NOTES
49	039898-000	FOOT SUPPORT PART	1	EA	
50	039891-000	RAIL CAP	2	EA	
51	039887-000	RAIL	2	EA	
52	039756-000	WATER INLET VALVE	1	EA	
53	039761-000	SCREW	2	EA	
54	039717-000	RAIL CAP	2	EA	
55	039777-000	RAIL WHEEL HOLDER	4	EA	
56	039766-000	RAIL WHEEL SCREW	8	EA	
57	039909-000	AIR FUNNEL COVER	1	EA	
58	039923-000	DOOR LOCK COTTON FLEECE	1	EA	
59	039901-000	DOOR LOCK HOOK	1	EA	
60	039793-000	RAIL WHEEL GROUP	4	EA	
NI	057530-000	ACCESSORIES	1	EA	
Not Shown	NOTE	INSTALL HARDWARE		EA	
NI	071566-000	MOUNTING BRACKET KIT	1	EA	
Not Shown	NOTE	TO SECURE UNIT TO CABINET		EA	

FDW101-102-300 OUTER DOOR PARTS



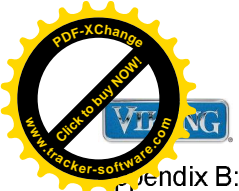


Item	Part No.	Name	Qty	Uom	NOTES
1	036189-000	OUTER DOOR ASSY- PART NLA	1	EA	
2	036188-000	DOOR SKIN	1	EA	Not available online / Call for pricing and availability
3	034825-000	HANDLE, DW	1	EA	
4	026965-000	END CAP, ASM, DOOR HANDLE	2	EA	
5	PD010019	BLT-1/4-20X3/8"HEX WASHER SERATED	4	EA	
6	PE010016	LOGO (ALL RANGES) *BK/CHR 307997W	1	EA	
7	PD030008	HEX NUT	2	EA	
8	PD030178	CLIP, DOOR SKIN LOCATOR	2	EA	
NI	PB870209	SOUND ABSORBER, DOOR	1	EA	



Appendix A:Pages Index

FDW101 Door Group	1
FDW101 Inner Tub Assy	2
FDW101 Main Assy Components	4
FDW101 Pump Assy components	3
FDW101-102-300 OUTER DOOR PARTS	5

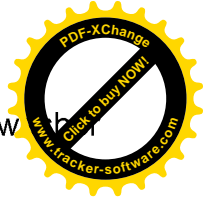
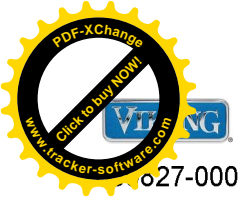


Appendix B: Parts Index

026965-000	5	039772-000	
034825-000	5	039773-000	1, 4
036188-000	5	039774-000	4
036189-000	5	039775-000	4
039713-000	1	039777-000	4
039714-000	1	039782-000	2
039715-000	1	039783-000	2
039716-000	3	039785-000	2
039717-000	4	039786-000	2
039720-000	1	039787-000	2
039722-000	3	039788-000	2
039723-000	3	039789-000	2
039724-000	3	039790-000	2
039725-000	4	039791-000	2
039726-000	3	039792-000	4
039727-000	3	039793-000	4
039728-000	2	039795-000	1
039729-000	2	039796-000	1
039730-000	2	039797-000	1
039731-000	3	039798-000	1
039732-000	3	039799-000	1
039733-000	2	039800-000	1
039734-000	2	039837-000	1
039735-000	3	039838-000	1
039738-000	1	039840-000	2
039739-000	1	039841-000	2
039755-000	1	039842-000	2
039756-000	4	039845-000	2
039757-000	3	039846-000	2
039758-000	4	039847-000	2
039759-000	3	039851-000	1
039760-000	4	039852-000	1
039761-000	4	039854-000	1
039763-000	4	039855-000	2
039764-000	4	039856-000	2
039765-000	4	039857-000	2
039766-000	4	039858-000	2
039767-000	4	039859-000	2
039768-000	4	039860-000	2
039769-000	4	039861-000	2
		039862-000	2



039863-000	3	039914-000	3
039866-000	4	039915-000	3
039867-000	4	039916-000	1
039868-000	3	039917-000	1, 4, 4
039870-000	2	039918-000	4
039871-000	1	039921-000	4
039872-000	3, 4	039922-000	4
039873-000	3	039923-000	4
039874-000	3	039924-000	1
039876-000	1, 3, 4, 4, 4	039925-000	1
039877-000	1	039926-000	1
039879-000	1	039928-000	1
039880-000	3	039930-000	2
039882-000	1	039932-000	1
039883-000	4	039933-000	3
039884-000	1	039934-000	3
039885-000	4	039935-000	1
039886-000	3	039937-000	4
039887-000	4	039938-000	4
039889-000	3	039941-000	4
039890-000	3	039942-000	4
039891-000	4	039943-000	4
039892-000	2	039945-000	2
039893-000	4	039946-000	1
039894-000	4	039949-000	4
039895-000	4	039950-000	3
039896-000	2	039951-000	3
039897-000	3	039952-000	4
039898-000	4	039953-000	3
039900-000	3	039954-000	3
039901-000	4	039955-000	3, 3
039902-000	3	039957-000	3
039903-000	1	039958-000	4
039904-000	4	040589-000	1
039905-000	4	040590-000	1
039908-000	1	040591-000	4
039909-000	4	040592-000	4
039910-000	4	041992-000	1
039911-000	1	050819-000	2
039912-000	1	050820-000	2
039913-000	3	050826-000	1



027-000	1
050887-000	4
057515-000	1
057516-000	4
057517-000	4
057518-000	2
057519-000	2
057522-000	2
057525-000	1
057528-000	3
057529-000	4
057530-000	4
057531-000	3
059878-000	1
060210-000	1
061486-000	4
071566-000	4
PB870209	5
PD010019	5
PD030008	5
PD030178	5
PE010016	5